

4.5 L and 6.8 L Marine Diesel Engines (Tier 3/Stage III A Platform)




OPERATOR'S MANUAL 4.5 L and 6.8 L Marine Diesel Engines (Tier 3/Stage III A Platform) OMRG39400 ISSUE 16JUN17 (ENGLISH)

CALIFORNIA
Proposition 65 Warning

Diesel engine exhaust and some of its constituents are known to the State of California to cause cancer, birth defects, and other reproductive harm.

If this product contains a gasoline engine:

 **WARNING**

The engine exhaust from this product contains chemicals known to the State of California to cause cancer, birth defects or other reproductive harm.

The State of California requires the above two warnings.
Additional Proposition 65 Warnings can be found in this manual.

Introduction

OEM Engine and Drivetrain Warranty Registration

RG24614 —UN—21OCT13



Scan this code to register your OEM engine online. You can also visit us directly at JohnDeere.com/warranty.

Why registering your OEM engine or drivetrain product is a really smart idea:

- **Get faster service.** Registering your engine or drivetrain product gives us the information we need to meet your service needs promptly and completely.
- **Protect your investment.** You'll be kept up-to-date on engine or drivetrain product updates.
- **Extend your warranty.** You'll be given the option to extend your coverage before your standard warranty term expires.
- **Stay informed.** Be the first to know about new products and money-saving offers from John Deere.

You're Covered

When you buy a John Deere engine or drivetrain product you aren't just buying pistons and crankshafts and gear drives. You're buying the ability to get work done. Without downtime, without worries, and without hassles. And you're buying the assurance that if you do need help, a strong support network will be there — ready to step in.

Confidence. That's what John Deere engines, John Deere drivetrains, and John Deere Warranties are all about.

Long durations. Warranties designed to give you confidence in your engine or drivetrain product.

Worldwide support. Get service when and where you need it. John Deere has 4,000+ service locations worldwide.

Genuine John Deere parts and service. Authorized service outlets will use only new or remanufactured parts or components furnished by John Deere.

Warranty Duration

Equipment operators can't afford downtime or unexpected repairs. That's why we offer a 2-year/2,000-hour warranty, with unlimited hours in the first year, on our OEM industrial and marine engines. This warranty takes effect the date that the engine is delivered to the first retail purchaser. In addition, extended warranties are available under certain conditions. John Deere offers a variety of purchased warranties to extend the warranty period for your engine. You'll be given the option to extend your coverage before your standard warranty term expires. Be sure to register your engine or drivetrain product and take full advantage of the John Deere service and support network.

Obtaining Warranty Service

Warranty service must be requested through an authorized John Deere service outlet before the expiration of the warranty. Evidence of the engine's or drivetrain product's delivery date to the first retail purchaser must be presented when requesting warranty service. Authorized service outlets include:

- John Deere distributor
- John Deere OEM service dealer
- John Deere equipment dealer
- John Deere marine dealer

Worldwide Support Network

Visit JohnDeere.com/dealer to find the authorized engine or drivetrain service location nearest you. For complete warranty details visit JohnDeere.com/warrantystatements to view, download, or print the warranty statement for your engine or drivetrain product.

ZE59858.000025E -19-31MAY17-1/1

Foreword

READ THIS MANUAL carefully to learn how to operate and service your engine correctly. Failure to do so could result in personal injury or equipment damage.

THIS MANUAL SHOULD BE CONSIDERED a permanent part of your engine and should remain with the engine when you sell it.

MEASUREMENTS IN THIS MANUAL are given in both metric and customary U.S. unit equivalents. Use only correct replacement parts and fasteners. Metric and inch fasteners may require a specific metric or inch wrench.

RIGHT-HAND AND LEFT-HAND sides are determined by standing at the drive or flywheel end (rear) of the engine and facing toward the front of the engine.

WRITE ENGINE SERIAL NUMBERS and option codes in the spaces indicated in the Record Keeping Section.

Accurately record all the numbers. Your dealer also needs these numbers when you order parts. File the identification numbers in a secure place off the engine.

SETTING FUEL DELIVERY beyond published factory specifications or otherwise overpowering will result in loss of warranty protection for this engine.

CERTAIN ENGINE ACCESSORIES such as air cleaner, and instruments are optional equipment on John Deere Marine Engines. These accessories may be provided by the equipment manufacturer instead of John Deere. This operator's manual applies only to the engine and those options available through the John Deere distribution network.

ZE59858,00001AA -19-15OCT13-1/1

Engine Owner

John Deere Engine Owner:

It is important for you to register your new engine for factory warranty. Registering your engine will allow your Service Dealer to verify that your warranty status should a repair be needed. The easiest way to register your engine is via the internet. To register your engine for warranty via the internet, please use the following URL: <http://www.johndeere.com/enginewarranty>

Your John Deere Engine Distributor or local John Deere Service Dealer will also be happy to provide this service. Engine service can be done by all Ag, C&FD, and JDPS branded dealers. To view the John Deere Service Dealer network or locate your nearest Dealer, use the following URL: <http://www.johndeere.com/dealer>

JR74534,000026F -19-21JUN12-1/1

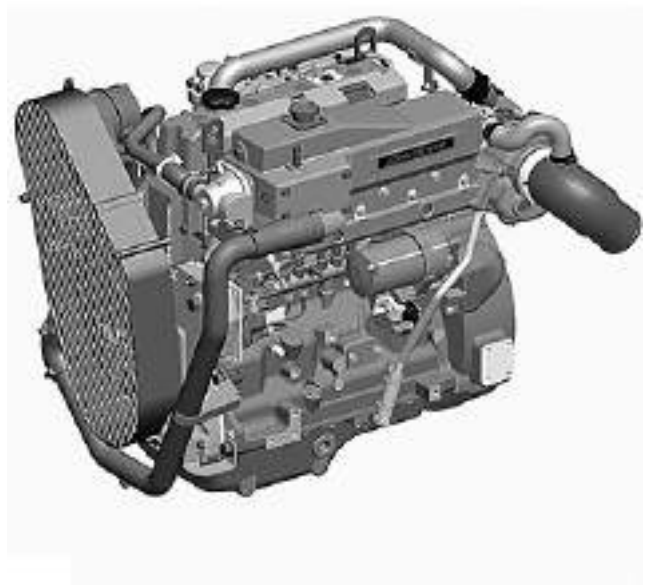
Identification Views

NOTE: Heat exchanged engine models shown, keel cooled engines are similar.



4045TFM85 Engine

RG24329 —UN—06SEP13



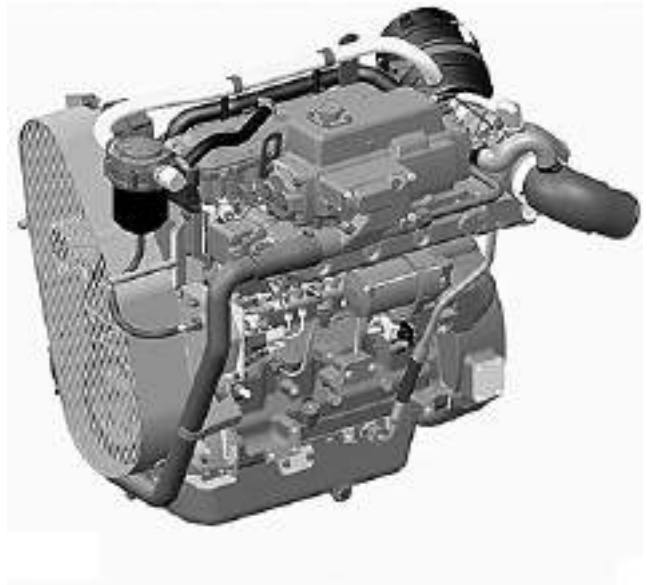
4045TFM85 Engine

RG24330 —UN—06SEP13



4045AFM85 Engine

RG24331 —UN—06SEP13

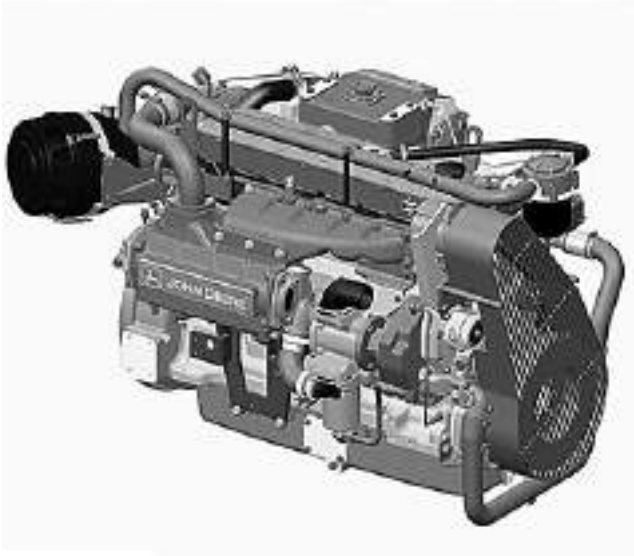


4045AFM85 Engine

RG24332 —UN—06SEP13

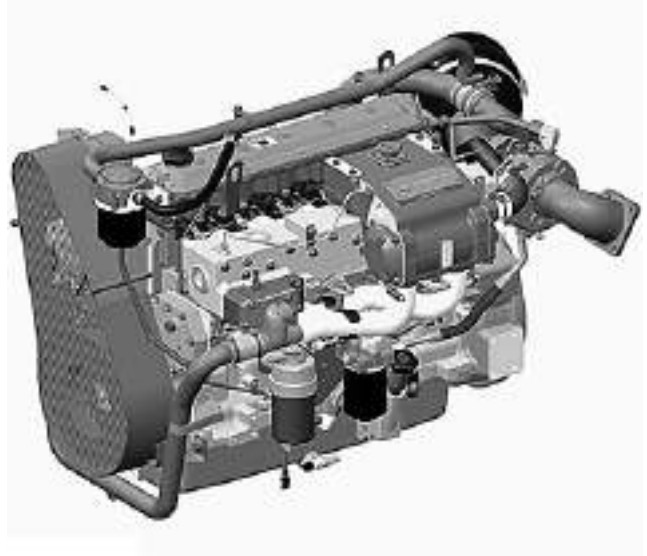
Continued on next page

RG19661,00003B9 -19-29OCT13-1/2



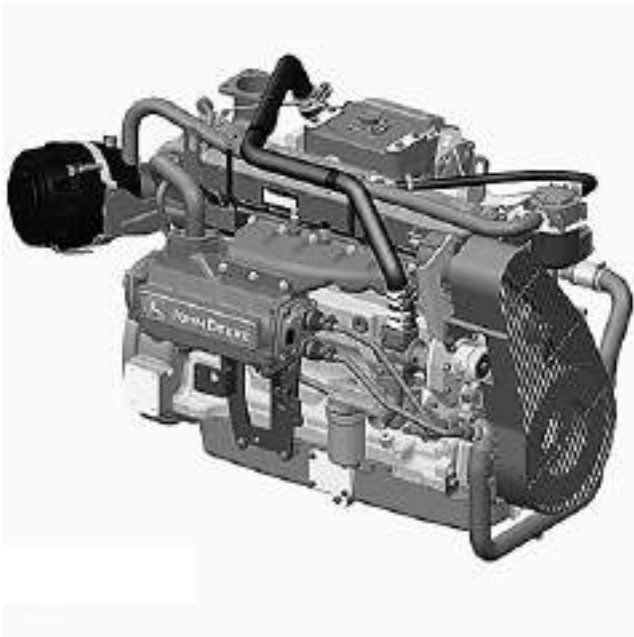
6068SFM85 Engine

RG24333 —UN—06SEP13



6068SFM85 Engine

RG24334 —UN—06SEP13



6068AFM85 Engine

RG24335 —UN—06SEP13



6068AFM85 Engine

RG24336 —UN—06SEP13

RG19661,00003B9 -19-29OCT13-2/2

Trademarks

Trademarks	
AdBlue®	AdBlue is a trademark of VDA, the German Association of the Automotive Industry.
AMP®	AMP is a trademark of Tyco Electronics
BIO-GREASE-GARD™	BIO-GREASE-GARD is a trademark of Deere & Company
Bio Hy-Gard™	Bio Hy-Gard is a trademark of Deere & Company
Bluetooth®	Bluetooth is a trademark of Bluetooth SIG
Break-In™ Plus	Break-In is a trademark of Deere & Company
CINCH™	CINCH is a trademark of Cinch Inc.
COOL-GARD™ PLUS	COOL-GARD is a trademark of Deere & Company
CoolScan™	CoolScan is a trademark of Deere & Company
COOLSCAN™ PLUS	COOLSCAN is a trademark of Deere & Company
Custom Performance™	Custom Performance is a trademark of Deere & Company
Deere™	Deere is a trademark of Deere & Company
DENSO®	DENSO is a trademark of DENSO Corporation
DEUTSCH®	DEUTSCH is a trademark of Deutsch Co.
DieselScan™	DieselScan is a trademark of Deere & Company
DuPont®	DuPont is a trademark of E.I. DuPont de Nemours and Company
EXTREME-GARD™	EXTREME-GARD is a trademark of Deere & Company
FleetGard™	FleetGard is a trademark of Deere & Company
Fuelscan™	Fuelscan is a trademark of Deere & Company
Funk™	Funk is a trademark of Deere & Company
GREASE-GARD™	GREASE-GARD is a trademark of Deere & Company
Hy-Gard™	Hy-Gard is a trademark of Deere & Company
JDLINK™	JDLINK is a trademark of Deere & Company
JDPARTS™	JDPARTS is a trademark of Deere & Company
John Deere™	John Deere is a trademark of Deere & Company
Loctite®	Loctite is a trademark of Henkel Corporation
Metri-Pack®	Metri-Pack is a trademark of Delphi Connection Systems
OILSCAN PLUS™	OILSCAN PLUS is a trademark of Deere & Company
Oilscan™	Oilscan is a trademark of Deere & Company
Permatex®	Permatex is a trademark of Illinois Tool Works Inc.
Phoenix™	Phoenix is a trademark of Deere & Company
Plastigage®	Plastigage is a trademark of Perfect Circle Corporation
Plus-50™ II	Plus-50 is a trademark of Deere & Company
PowerSight™	PowerSight is a trademark of Deere & Company
PowerTech™	PowerTech is a trademark of Deere & Company
PowerTech™ E	PowerTech is a trademark of Deere & Company
PowerTech™ M	PowerTech is a trademark of Deere & Company
PowerTech™ Plus	PowerTech is a trademark of Deere & Company
Restore®	Restore is a trademark of "Restore, Inc."
Scotch-Brite®	Scotch-Brite is a trademark of 3M Co.
Scotch-Grip®	Scotch-Grip is a trademark of 3M Co.
Service ADVISOR™	Service ADVISOR is a trademark of Deere & Company
SERVICEGARD™	SERVICEGARD is a trademark of Deere & Company
SPEEDI-SLEEVE®	SPEEDI-SLEEVE is a registered trademark of the SKF Group.
SWEDA™	SWEDA is a trademark of Deere & Company
Swagelok®	Swagelok is a registered trademark of Swagelok Company.
TACH-N-TIME™	TACH-N-TIME is a trademark of Bosch Automotive Service Solutions Inc.
TeamMate™	TeamMate is a trademark of Deere & Company
TEFLON®	TEFLON is a trademark of Du Pont Co.
Torq-Gard™	Torq-Gard is a trademark of Deere & Company

Continued on next page

ZE59858,0000006 -19-09MAR16-1/2

Introduction

TORX®	TORX is a registered trademark of Acument Intellectual Properties, LLC
Vari-Cool™	Vari-Cool is a trademark of Deere & Company
WEATHER PACK®	WEATHER PACK is a trademark of Packard Electric
WINDOWS®	WINDOWS is a trademark of Microsoft Corporation

ZE59858,0000006 -19-09MAR16-2/2

Contents

	Page
Record Keeping	
Engine Serial Number Plate	01-1
Record Engine Serial Number	01-1
Engine Option Codes	01-2
Record High-Pressure Fuel Pump Model Number	01-3
Record Engine Control Unit (ECU) Serial Number	01-4

Safety

Understand Signal Words	05-1
Recognize Safety Information	05-1
Replace Safety Signs	05-1
Follow Safety Instructions	05-2
California Proposition 65 Warning	05-2
Avoid Hot Exhaust	05-2
Work In Ventilated Area	05-2
Decommissioning — Proper Recycling and Disposal of Fluids and Components	05-3
Prevent Machine Runaway	05-3
Practice Safe Maintenance	05-4
Work in Clean Area	05-4
Wear Protective Clothing	05-5
Service Machines Safely	05-5
Use Proper Tools	05-5
Support Machine Properly	05-6
Use Proper Lifting Equipment	05-6
Protect Against Noise	05-6
Illuminate Work Area Safely	05-7
Install All Guards	05-7
Stay Clear of Rotating Drivelines	05-7
Protect Against High Pressure Spray	05-8
Service Cooling System Safely	05-8
Remove Paint Before Welding or Heating	05-8
Do Not Open High-Pressure Fuel System	05-9
Avoid High-Pressure Fluids	05-9
Avoid Heating Near Pressurized Fluid Lines	05-9
Avoid Static Electricity Risk When Refueling	05-10
Handle Fuel Safely—Avoid Fires	05-10
Prepare for Emergencies	05-11
Handle Starting Fluid Safely	05-11
Handling Batteries Safely	05-12
Prevent Acid Burns	05-13
Prevent Battery Explosions	05-13
Live With Safety	05-14

Fuels, Lubricants, and Coolant

Diesel Fuel	10-1
Supplemental Diesel Fuel Additives	10-1
Lubricity of Diesel Fuel	10-2
Handling and Storing Diesel Fuel	10-2
BioDiesel Fuel	10-3
Testing Diesel Fuel	10-4
Fuel Filters	10-4
Minimizing the Effect of Cold Weather on Diesel Engines	10-5
Diesel Engine Break-In Oil — Non-Emissions Certified and Certified Tier 1, Tier 2, Tier 3, Stage I, Stage II, and Stage III	10-6
Diesel Engine Oil — Marine Engines	10-7
Engine Oil and Filter Service Intervals — Tier 3 and Stage IIIA — Marine Engines ...	10-8
Mixing of Lubricants	10-8
Alternative and Synthetic Lubricants	10-9
Lubricant Storage	10-9
Oil Filters	10-9
Diesel Engine Coolant (engine with wet sleeve cylinder liners)	10-10
Water Quality for Mixing with Coolant Concentrate	10-11
Operating in Warm Temperature Climates	10-11
Testing Coolant Freeze Point	10-12
Disposing of Coolant	10-12

Instrument Panels

Sea Trials for Performance and Warranty	15-1
John Deere Instrument (Gauge) Panel (Electronically Controlled Engines)	15-2
John Deere Instrument (Gauge) Panel (Electronically Controlled Engines) (Continued)	15-3
PV101 Instrument Panels	15-4
PV101 Diagnostic Gauge — Using	15-6
PV101 Diagnostic Gauge — Main Menu	15-7
PV101 Diagnostic Gauge — Essential Menus ...	15-8
DG14 Diagnostic Gauge — Using	15-8
DG14 Diagnostic Gauge — Main Menu	15-9
DG14 Diagnostic Gauge — Essential Menus ...	15-10
PV480 Instrument Panel	15-11
PV480 Diagnostic Gauge — Using	15-12

Continued on next page

Original Instructions. All information, illustrations and specifications in this manual are based on the latest information available at the time of publication. The right is reserved to make changes at any time without notice.

COPYRIGHT © 2017
DEERE & COMPANY
Moline, Illinois
All rights reserved.
A John Deere ILLUSTRATION™ Manual
Previous Editions
Copyright © 2013, 2014, 2015, 2016

Page	Page		
PV480 Diagnostic Gauge — Main Menu.....	15-13	Checking Cooling System	40-6
PV480 Diagnostic Gauge — Essential Menus ..	15-14	Pressure Testing Cooling System.....	40-7
Main Menu Navigation.....	15-15	Removing, Inspecting, and Cleaning	
Engine Configuration Data	15-16	Engine Heat Exchanger Core (4.5 L)	40-8
Accessing Stored Diagnostic Trouble Codes ...	15-18	Installing Heat Exchanger Core (4.5 L)	40-10
Accessing Active Diagnostic Trouble Codes	15-20	Removing, Inspecting, and Cleaning	
Engine Shutdown Diagnostic Trouble Codes ...	15-22	Engine Heat Exchanger Core (6.8 L)	40-12
Adjusting Backlighting	15-24	Installing Heat Exchanger Core (6.8 L)	40-13
Adjusting Contrast	15-25	Removing, Inspecting, and Cleaning	
Selecting Units Of Measurement.....	15-27	Engine Aftercooler Core (6068SFM85).....	40-15
Setup 1-Up Display.....	15-29	Installing Aftercooler Core (6068SFM85)	40-16
Setup 4-Up Display.....	15-35	Checking and Adjusting Engine Speeds	40-16
John Deere PowerSight.....	15-39	Checking Engine Electrical Ground	
		Connections	40-17
Engine Operation		Replacing Sea Water Pump Impeller	
Normal Engine Operation	20-1	(4045TFM85)	40-17
Marine Break-In Service	20-2	Replacing Sea Water Pump Impeller	
Auxiliary Gear Drive Limitations	20-4	(4045AFM85/6068AFM85).....	40-19
Generator Set Power Units.....	20-4	Replacing Sea Water Pump Impeller	
Starting the Engine	20-5	(6068SFM85)	40-20
Warming Engine	20-7		
Idling Engine.....	20-7	Lubrication & Maintenance — 2000 Hours/24	
Cold Weather Operation.....	20-8	Months	
Stopping the Engine	20-9	Checking and Adjusting Engine Valve	
Using a Booster Battery or Charger	20-10	Clearance	45-1
Welding Near Electronic Control Units	20-11	Checking Crankshaft Vibration Damper	
Keep Electronic Control Unit		(If Equipped).....	45-3
Connectors Clean	20-11	Inspecting and Repairing Sea Water	
		Pump (4045TFM85)	45-4
		Inspecting and Repairing Sea Water	
		Pump (4045AFM85/6068AFM85)	45-5
		Inspecting and Repairing Sea Water	
		Pump (6068SFM85).....	45-6
Lubrication and Maintenance		Lubrication & Maintenance — 6000 Hours/72	
Required Emission-Related Information.....	25-1	Months	
Observe Service Intervals	25-1	Flushing And Refilling Cooling System.....	50-1
Use Correct Fuels, Lubricants, and Coolant.....	25-1	Removing and Installing Thermostats	50-3
Lubrication and Maintenance Service		Testing Thermostats	50-4
Interval Chart.....	25-2		
		Service As Required	
Lubrication & Maintenance — Daily		Do Not Modify Fuel System.....	55-1
Daily Prestarting Checks	30-1	Draining Water From Fuel Filters	55-1
		Adding Coolant.....	55-2
Lubrication & Maintenance — 250 Hours/6		Pre-Start Cleaning Guide	55-2
Months		Servicing Air Cleaner Filter Element.....	55-3
Changing Engine Oil and Replacing Oil Filter	35-1	Replacing Air Cleaner Filter Element	55-4
Servicing Fire Extinguisher.....	35-3	Replacing Alternator Belt.....	55-4
Servicing Battery	35-4	Checking Fuses.....	55-5
Checking Engine Mounts.....	35-6	Bleeding Fuel System.....	55-5
Inspecting and Replacing Zinc Plugs			
(If Equipped).....	35-7	Troubleshooting	
		General Troubleshooting Information	60-1
Lubrication & Maintenance — 500 Hours/12		Precautions for Welding	60-2
Months			
Replacing Crankcase Vent Filter	40-1		
Checking Air Intake System	40-1		
Replacing Fuel Filters/Cleaning Water			
Separator	40-2		
Checking Belt Tensioner Spring			
Tension and Belt Wear	40-4		

Continued on next page

	Page
Precautions For Welding On Vessels Equipped With Electronic Engine Control Unit (ECU)	60-2
Electronically Controlled Engine Electrical System Layout — 6068AFM85 and 6068SFM85	60-3
Electronically Controlled Engine Electrical System Layout — 4045TFM85	60-4
Electronically Controlled Engine Electrical System Layout — 4045AFM85	60-5
Wiring Diagram for John Deere Main Station (Wheel House) Instrument Panel - Electronically Controlled Engine	60-7
Wiring Diagram for John Deere Main Station (Wheel House) Instrument Panel - Electronically Controlled Engine - Cont'd	60-8
Wiring Diagram for John Deere Optional Fly Bridge Instrument Panel - Electronically Controlled Engine	60-10
4045TFM85 Marine Electronic Control System Wiring Diagram	60-12
4045TFM85 Marine Electronic Control System Wiring Diagram - Cont'd	60-14
4045TFM85 Marine Electronic Control System Wiring Diagram - Cont'd	60-16
4045TFM85 Marine Electronic Control System Wiring Diagram - Cont'd	60-18
4045AFM85 Marine Electronic Control System Wiring Diagram	60-20
4045AFM85 Marine Electronic Control System Wiring Diagram - Cont'd	60-22
4045AFM85 Marine Electronic Control System Wiring Diagram - Cont'd	60-24
4045AFM85 Marine Electronic Control System Wiring Diagram - Cont'd	60-26
6068SFM85 / AFM85 Marine Electronic Control System Wiring Diagram	60-28
6068SFM85 / AFM85 Marine Electronic Control System Wiring Diagram - Continued	60-30
6068SFM85 / AFM85 Marine Electronic Control System Wiring Diagram - Continued	60-32
Engine Troubleshooting	60-34
Instrument Panel Method for Retrieving Diagnostic Trouble Codes	60-38
Diagnostic Trouble Codes (DTCs) — Operation	60-39
Diagnostic Trouble Codes (DTCs) — Listing	60-40
Intermittent Fault Diagnostics	60-42
Transition Harness	60-43

Storage

Engine Storage Guidelines	65-1
Preparing Engine for Long-Term Storage	65-1
Removing Engine from Long-Term Storage	65-2

Specifications

General Marine Engine Specifications — 4.5L	70-1
General Marine Engine Specifications — 6.8L	70-2
Engine Power And Speed Ratings	70-3
Engine Crankcase Oil Fill Quantities	70-4
Unified Inch Bolt and Screw Torque Values	70-5
Metric Bolt and Screw Torque Values	70-6

Lubrication and Maintenance Records

Using Lubrication and Maintenance Records	75-1
Daily (Prestarting) Service	75-1
250 Hours/6 Months Service	75-1
500 Hours/12 Months Service	75-2
2000 Hours/24 Months Service	75-2
6000 Hours/72 Months Service	75-3
Service As Required	75-3

Warranty

John Deere Warranty in OEM Applications	80-1
Emissions Control System Certification Label	80-4
European Union (EU) Declaration of Emissions Conformity	80-4
U.S. Marine Compression-Ignition Engine Emission Control Warranty Statement	80-5

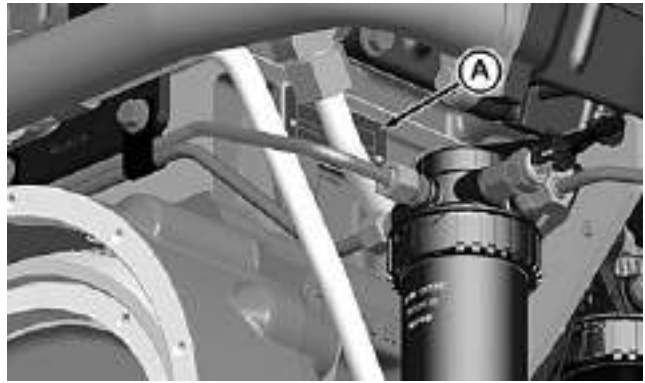
Record Keeping

Engine Serial Number Plate

Each engine has a 13-digit John Deere engine serial number. The first two digits identify the factory that produced the engine:

- “CD” indicates the engine was built in Saran, France
- “PE” indicates the engine was built in Torreon, Mexico

Your engine's serial number plate (A) is located on the right-hand side of cylinder block behind the fuel filter.



Engine Serial Number Plate

RG22321—UN—11JAN13

RG19661,00003B7 -19-11JAN13-1/1

Record Engine Serial Number

Record all of the numbers and letters found on your engine serial number plate in the spaces provided below.

This information is very important for repair parts or warranty information.

Engine Serial Number (A) _____

Engine Model Number (B) _____

A—Engine Serial Number

B—Engine Model Number

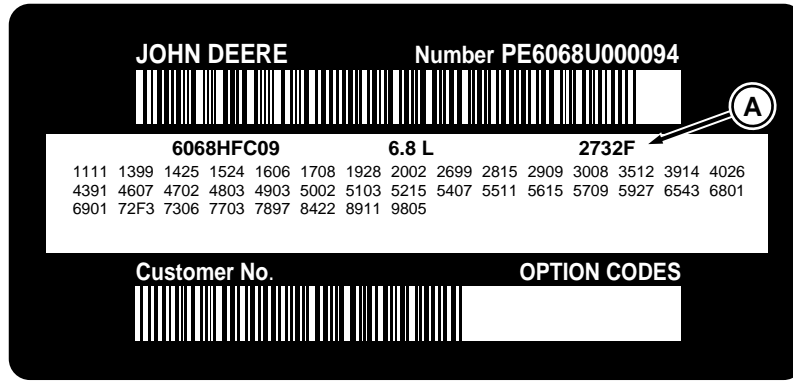


Serial Number Plate

RG24323—UN—05SEP13

RG19661,00003B8 -19-05SEP13-1/1

Engine Option Codes



Option Code Label Example

RG24026—UN—05AUG13

A—Engine Base Code (example)

OEM engines have an engine option code label affixed to the rocker arm cover. These codes indicate which of the engine options were installed on your engine at the factory. When in need of parts or service, furnish your authorized servicing dealer or engine distributor with these numbers.

The engine option code label includes an engine base code (A). This base code must also be recorded along with the option codes. At times it will be necessary to furnish this base code to differentiate two identical option codes for the same engine model.

The first two digits of each code identify a specific group, such as alternators. The last two digits of each code identify one specific option provided on your engine, such as a 24 volt, 120 amp alternator.

If an engine is ordered without a particular component, the last two digits of that functional group option code will be 99, 00, or XX. The following list shows only the first two digits of the code numbers. For future reference such as ordering repair parts, it is important to have these code numbers available. To ensure this availability, enter the third and fourth digits shown on your engine option code label in the spaces provided on the following page.

An additional option code label may also be delivered (in a plastic bag attached to the engine or inserted in the machine documentation). It is recommended to place this label either on this page of the operators manual or in the Engine Owner's Warranty booklet under Option Codes.

The machine manufacturer may have placed the label in a specific accessible area (inside the enclosure or close to a maintenance area).

Your engine option code label may not contain all option codes if an option has been added after the engine left the producing factory.

If option code label is lost or destroyed, consult your servicing dealer or engine distributor selling the engine for a replacement.

Record your engine Base Code (A) in the spaces provided below for easy reference.

Engine Base Code (A):

Option Codes	Description
10_____	Paint Protection
11_____	Rocker Arm Cover
12_____	Oil Filler
13_____	Crankshaft Pulley
14_____	Flywheel Housing
15_____	Flywheel
16_____	Fuel Injection System
17_____	Air Inlet
18_____	Air Cleaner
19_____	Oil Pan
20_____	Water Pump
21_____	Thermostat Cover
22_____	Thermostat
23_____	Fan Drive
24_____	Fan Belt

Option Codes	Description
56_____	Paint
57_____	Water Pump Inlet
58_____	Power Take Off
59_____	Oil Cooler/Oil Filter
60_____	Add-On Fan Drive Pulley
61_____	After Treatment Device/Muffler
62_____	Alternator Mounting
63_____	Low-Pressure Fuel Lines
64_____	Exhaust Elbow
65_____	Turbocharger
66_____	Temperature Switch
67_____	Engine Sensors
68_____	Damper
69_____	Engine Serial Number Plate
70_____	Decomposition Tube (OEM)

Continued on next page

RG, RG34710, 5004 -19-12JUN17-1/2

Record Keeping

Option Codes	Description	Option Codes	Description
25_____	Fan	71_____	SCR (OEM)
26_____	Block Heater	72_____	Performance Software and Labels
27_____	Radiator/Heat Exchanger	7A_____	Performance Software and Labels
28_____	Exhaust Manifold	73_____	After Treatment Dosing System
29_____	Ventilator System	74_____	Air Conditioning
30_____	Starting Motor	75_____	Restriction Indicator
31_____	Alternator	76_____	Oil Pressure Switch
32_____	DEF Lines, Pressure (OEM)	77_____	Timing Gear Cover (S450/S650)
33_____	DEF Lines, Supply/Return to Tank (OEM)	78_____	Air Compressor
34_____	DEF Tank and Header (OEM)	79_____	Certification
35_____	Final Fuel Filter	80_____	Sea Water Pump (Marine)
36_____	Front Plate and Idler Shafts	81_____	Primary Fuel Filter/Water Separator
37_____	Fuel Transfer Pump	82_____	Ignition System (Natural Gas)
38_____	Operator Manual	83_____	Vehicle Performance Software
39_____	Thermostat Housing	84_____	Wiring Harness
40_____	Dipstick and Tube	85_____	Fuel System (Natural Gas)
41_____	Belt Driven Auxiliary Drive (Add-On Crank Pulley)	86_____	Fan Pulley
42_____	DEF Line, Supply Module to Injector (OEM)	87_____	Belt Tensioner
43_____	Starting Aid	88_____	Oil Filter
44_____	Timing Gear Cover (S350)	89_____	EGR System
44_____	Tachometer Drive Sensors (S450/S650)	90_____	Trim Software (OEM)
45_____	Secondary Balancers	91_____	Engine Installation Kit (S350)
46_____	Cylinder Block with Camshaft	92_____	Engine Test Certificate/Engine Accessories (S350)
47_____	Crankshaft/Main Bearings	92_____	Engine Installation Kit (S450)
48_____	Connecting Rods/Pistons/Liners	93_____	Emission Label
49_____	Valve Actuating Mechanism	94_____	Custom Software
50_____	Oil Pump	95_____	Parts Installed at Factory
51_____	Cylinder Head with Valves	96_____	Engine Installation Kit/Ship With (S450/S650)
52_____	Gear Driven Auxiliary Drive	96_____	ECU Wiring Harness (6125/6135)
53_____	Fuel Heater	97_____	Field Installed Items
54_____	Turbo Air Intake	98_____	Engine Lift Strap
55_____	Shipping Stand	99_____	Service Only Parts

NOTE: This is a complete option code list based on the latest information available at the time of publication. The right is reserved to make changes

at any time without notice. Your engine will not contain all option codes listed.

RG, RG34710, 5004 -19-12JUN17-2/2

Record High-Pressure Fuel Pump Model Number

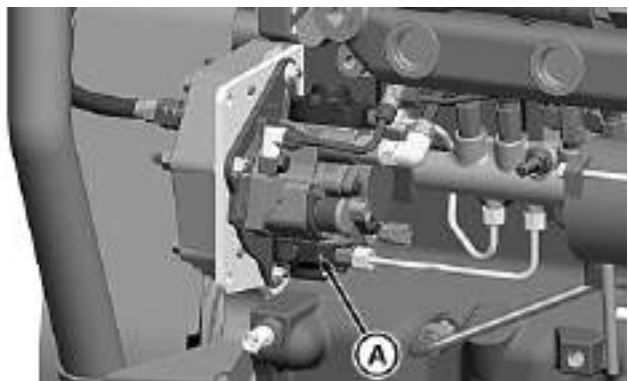
Record the fuel injection pump model and serial information found on the serial number plate (A).

Model No. _____

Manufacturer's No. _____

Serial No. _____

A—Serial Number Plate



High Pressure Fuel Pump

RG22161—UN—06DEC12

RG19661,00003FC -19-28FEB13-1/1

Record Engine Control Unit (ECU) Serial Number

Record the part number and serial number information found on the serial number label (A) on the Engine Control Unit (ECU) mounted on or near the engine.

Part No. _____

Serial No. _____

A—Serial Number Label



RG24314—UN—05SEP13

Record Engine Control Unit (ECU) Serial Number

ZE59858,0000186 -19-05SEP13-1/1

Safety

Understand Signal Words

DANGER; The signal word DANGER indicates a hazardous situation which, if not avoided, will result in death or serious injury.

WARNING; The signal word WARNING indicates a hazardous situation which, if not avoided, could result in death or serious injury.

CAUTION; The signal word CAUTION indicates a hazardous situation which, if not avoided, could result in minor or moderate injury. CAUTION may also be used to alert against unsafe practices associated with events which could lead to personal injury.

A signal word—DANGER, WARNING, or CAUTION—is used with the safety-alert symbol. DANGER identifies the most serious hazards. DANGER or WARNING safety signs are located near specific hazards. General

precautions are listed on CAUTION safety signs. CAUTION also calls attention to safety messages in this manual.



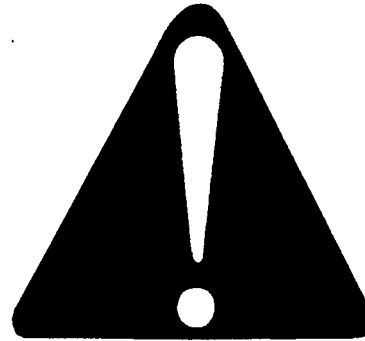
TS187 —19—30SEP88

DX,SIGNAL -19-05OCT16-1/1

Recognize Safety Information

This is a safety-alert symbol. When you see this symbol on your machine or in this manual, be alert to the potential for personal injury.

Follow recommended precautions and safe operating practices.



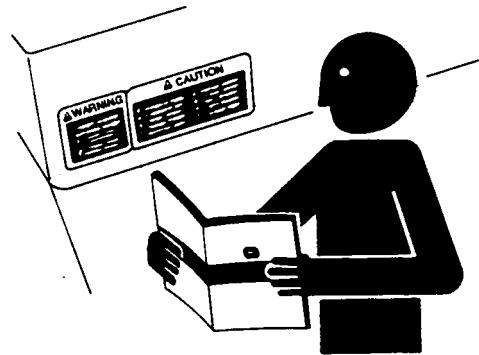
T81389 —UN—28JUN13

DX,ALERT -19-29SEP98-1/1

Replace Safety Signs

Replace missing or damaged safety signs. Use this operator's manual for correct safety sign placement.

There can be additional safety information contained on parts and components sourced from suppliers that is not reproduced in this operator's manual.



TS201 —UN—15APR13

DX,SIGNS -19-18AUG09-1/1

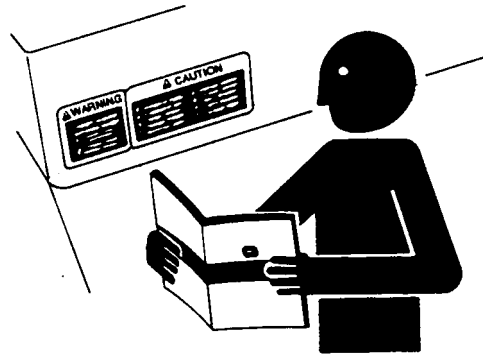
Follow Safety Instructions

Carefully read all safety messages in this manual and on your machine safety signs. Keep safety signs in good condition. Replace missing or damaged safety signs. Be sure new equipment components and repair parts include the current safety signs. Replacement safety signs are available from your John Deere dealer.

There can be additional safety information contained on parts and components sourced from suppliers that is not reproduced in this operator's manual.

Learn how to operate the machine and how to use controls properly. Do not let anyone operate without instruction.

Keep your machine in proper working condition. Unauthorized modifications to the machine may impair the function and/or safety and affect machine life.



TS201—UN—15APR13

If you do not understand any part of this manual and need assistance, contact your John Deere dealer.

DX,READ -19-16JUN09-1/1

California Proposition 65 Warning

Diesel engine exhaust, some of its constituents, along with certain machine components contain or emit chemicals known to the State of California to cause cancer and birth

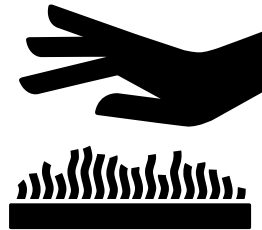
defects or other reproductive harm. In addition, certain fluids contained in the machine and certain products of component wear contain or emit chemicals known to the State of California to cause cancer and birth defects or other reproductive harm.

RG41061,000001F -19-12JAN10-1/1

Avoid Hot Exhaust

Servicing machine or attachments with engine running can result in serious personal injury. Avoid exposure and skin contact with hot exhaust gases and components.

Exhaust parts and streams become very hot during operation. Exhaust gases and components reach temperatures hot enough to burn people, ignite, or melt common materials.



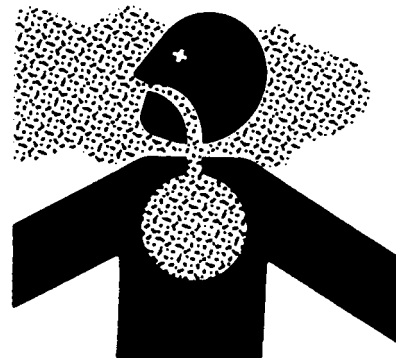
RG17488—UN—21AUG09

DX,EXHAUST -19-20AUG09-1/1

Work In Ventilated Area

Engine exhaust fumes can cause sickness or death. If it is necessary to run an engine in an enclosed area, remove the exhaust fumes from the area with an exhaust pipe extension.

If you do not have an exhaust pipe extension, open the doors and get outside air into the area.



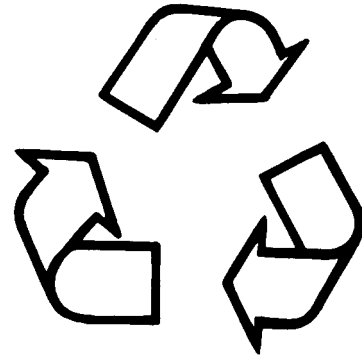
TS220—UN—15APR13

DX,AIR -19-17FEB99-1/1

Decommissioning — Proper Recycling and Disposal of Fluids and Components

Safety and environmental stewardship measures must be taken into account when decommissioning a machine and/or component. These measures include the following:

- Use appropriate tools and personal protective equipment such as clothing, gloves, face shields or glasses, during the removal or handling of objects and materials.
- Follow instructions for specialized components.
- Release stored energy by lowering suspended machine elements, relaxing springs, disconnecting the battery or other electrical power, and releasing pressure in hydraulic components, accumulators, and other similar systems.
- Minimize exposure to components which may have residue from agricultural chemicals, such as fertilizers and pesticides. Handle and dispose of these components appropriately.
- Carefully drain engines, fuel tanks, radiators, hydraulic cylinders, reservoirs, and lines before recycling components. Use leak-proof containers when draining fluids. Do not use food or beverage containers.
- Do not pour waste fluids onto the ground, down a drain, or into any water source.
- Observe all national, state, and local laws, regulations, or ordinances governing the handling or disposal of waste fluids (example: oil, fuel, coolant, brake fluid);



TS1133 —UN—15APR13

- filters; batteries; and, other substances or parts. Burning of flammable fluids or components in other than specially designed incinerators may be prohibited by law and could result in exposure to harmful fumes or ashes.
- Service and dispose of air conditioning systems appropriately. Government regulations may require a certified service center to recover and recycle air conditioning refrigerants which could damage the atmosphere if allowed to escape.
- Evaluate recycling options for tires, metal, plastic, glass, rubber, and electronic components which may be recyclable, in part or completely.
- Contact your local environmental or recycling center, or your John Deere dealer for information on the proper way to recycle or dispose of waste.

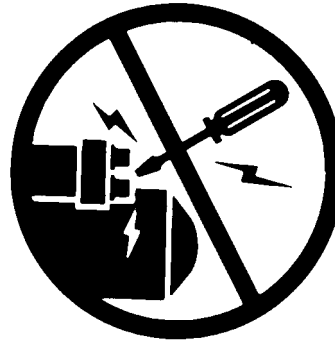
DX,DRAIN -19-01JUN15-1/1

Prevent Machine Runaway

Avoid possible injury or death from machinery runaway.

Do not start engine by shorting across starter terminals. Machine will start in gear if normal circuitry is bypassed.

NEVER start engine while standing on ground. Start engine only from operator's seat, with transmission in neutral or park.



TS1177 —UN—11JAN89

DX,BYPAS1 -19-29SEP98-1/1

Practice Safe Maintenance

Understand service procedure before doing work. Keep area clean and dry.

Never lubricate, service, or adjust machine while it is moving. Keep hands, feet, and clothing away from power-driven parts. Disengage all power and operate controls to relieve pressure. Lower equipment to the ground. Stop the engine. Remove the key. Allow machine to cool.

Securely support any machine elements that must be raised for service work.

Keep all parts in good condition and properly installed. Fix damage immediately. Replace worn or broken parts. Remove any buildup of grease, oil, or debris.

On self-propelled equipment, disconnect battery ground cable (-) before making adjustments on electrical systems or welding on machine.

On towed implements, disconnect wiring harnesses from tractor before servicing electrical system components or welding on machine.

Falling while cleaning or working at height can cause serious injury. Use a ladder or platform to easily reach each location. Use sturdy and secure footholds and handholds.



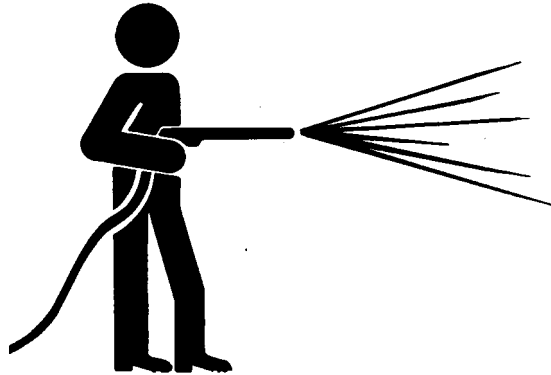
TS218 —UN—23AUG88

DX,SERV -19-28FEB17-1/1

Work in Clean Area

Before starting a job:

- Clean work area and machine.
- Make sure you have all necessary tools to do your job.
- Have the right parts on hand.
- Read all instructions thoroughly; do not attempt shortcuts.



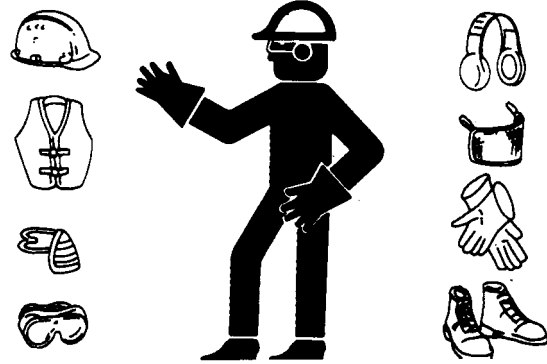
T6642EJ —UN—18OCT88

DX,CLEAN -19-04JUN90-1/1

Wear Protective Clothing

Wear close fitting clothing and safety equipment appropriate to the job.

Operating equipment safely requires the full attention of the operator. Do not wear radio or music headphones while operating machine.



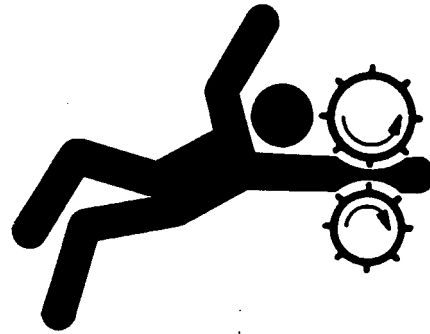
TS206—UN—15APR13

DX,WEAR2 -19-03MAR93-1/1

Service Machines Safely

Tie long hair behind your head. Do not wear a necktie, scarf, loose clothing, or necklace when you work near machine tools or moving parts. If these items were to get caught, severe injury could result.

Remove rings and other jewelry to prevent electrical shorts and entanglement in moving parts.



TS228—UN—23AUG88

DX,LOOSE -19-04JUN90-1/1

Use Proper Tools

Use tools appropriate to the work. Makeshift tools and procedures can create safety hazards.

Use power tools only to loosen threaded parts and fasteners.

For loosening and tightening hardware, use the correct size tools. DO NOT use U.S. measurement tools on metric fasteners. Avoid bodily injury caused by slipping wrenches.

Use only service parts meeting John Deere specifications.



TS779—UN—08NOV89

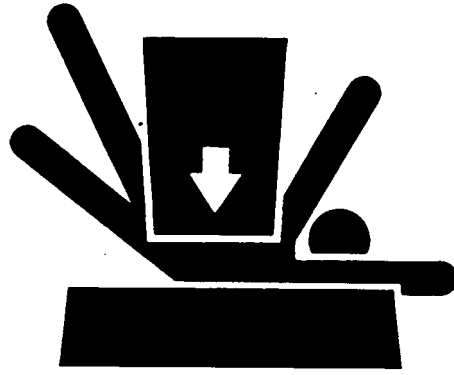
DX,REPAIR -19-17FEB99-1/1

Support Machine Properly

Always lower the attachment or implement to the ground before you work on the machine. If the work requires that the machine or attachment be lifted, provide secure support for them. If left in a raised position, hydraulically supported devices can settle or leak down.

Do not support the machine on cinder blocks, hollow tiles, or props that may crumble under continuous load. Do not work under a machine that is supported solely by a jack. Follow recommended procedures in this manual.

When implements or attachments are used with a machine, always follow safety precautions listed in the implement or attachment operator's manual.



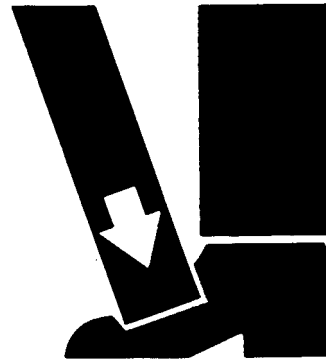
TS229 —UN—23AUG88

DX,LOWER -19-24FEB00-1/1

Use Proper Lifting Equipment

Lifting heavy components incorrectly can cause severe injury or machine damage.

Follow recommended procedure for removal and installation of components in the manual.



TS226 —UN—23AUG88

DX,LIFT -19-04JUN90-1/1

Protect Against Noise

Prolonged exposure to loud noise can cause impairment or loss of hearing.

Wear a suitable hearing protective device such as earmuffs or earplugs to protect against objectionable or uncomfortable loud noises.



TS207 —UN—23AUG88

DX,NOISE -19-03MAR93-1/1

Illuminate Work Area Safely

Illuminate your work area adequately but safely. Use a portable safety light for working inside or under the machine. Make sure the bulb is enclosed by a wire cage. The hot filament of an accidentally broken bulb can ignite spilled fuel or oil.



TS223 —UN—23AUG88

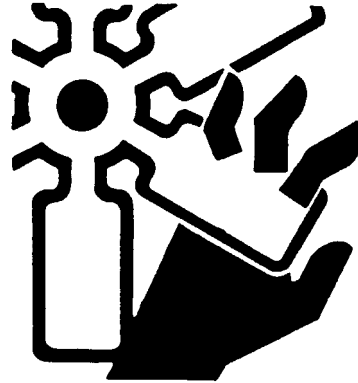
DX,LIGHT -19-04JUN90-1/1

Install All Guards

Rotating cooling system fans, belts, pulleys, and drives can cause serious injury.

Keep all guards in place at all times during engine operation.

Wear close-fitting clothes. Stop the engine and be sure fans, belts, pulleys, and drives are stopped before making adjustments, connections, or cleaning near fans and their drive components.



TS677 —UN—21SEP89

DX,GUARDS -19-18AUG09-1/1

Stay Clear of Rotating Drivelines

Entanglement in rotating driveline can cause serious injury or death.

Keep all shields in place at all times. Make sure rotating shields turn freely.

Wear close-fitting clothing. Stop the engine and be sure that all rotating parts and drivelines are stopped before making adjustments, connections, or performing any type of service on engine or machine driven equipment.



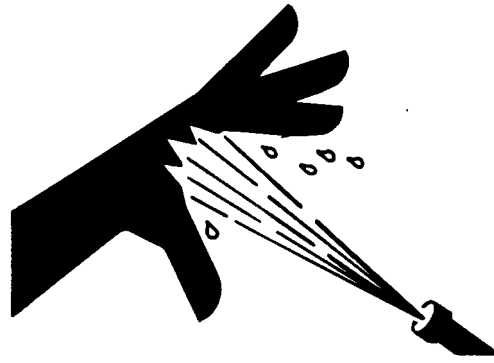
TS1644 —UN—22AUG95

DX,ROTATING -19-18AUG09-1/1

Protect Against High Pressure Spray

Spray from high pressure nozzles can penetrate the skin and cause serious injury. Keep spray from contacting hands or body.

If an accident occurs, see a doctor immediately. Any high pressure spray injected into the skin must be surgically removed within a few hours or gangrene may result. Doctors unfamiliar with this type of injury should reference a knowledgeable medical source. Such information is available from Deere & Company Medical Department in Moline, Illinois, U.S.A.



TS1343 —UN—18MAR92

DX,SPRAY -19-16APR92-1/1

Service Cooling System Safely

Explosive release of fluids from pressurized cooling system can cause serious burns.

Shut off engine. Only remove filler cap when cool enough to touch with bare hands. Slowly loosen cap to first stop to relieve pressure before removing completely.



TS281 —UN—15APR13

DX,RCAP -19-04JUN90-1/1

Remove Paint Before Welding or Heating

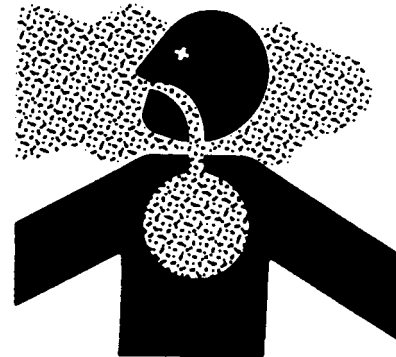
Avoid potentially toxic fumes and dust.

Hazardous fumes can be generated when paint is heated by welding, soldering, or using a torch.

Remove paint before heating:

- Remove paint a minimum of 100 mm (4 in.) from area to be affected by heating. If paint cannot be removed, wear an approved respirator before heating or welding.
- If you sand or grind paint, avoid breathing the dust. Wear an approved respirator.
- If you use solvent or paint stripper, remove stripper with soap and water before welding. Remove solvent or paint stripper containers and other flammable material from area. Allow fumes to disperse at least 15 minutes before welding or heating.

Do not use a chlorinated solvent in areas where welding will take place.



TS220 —UN—15APR13

Do all work in an area that is well ventilated to carry toxic fumes and dust away.

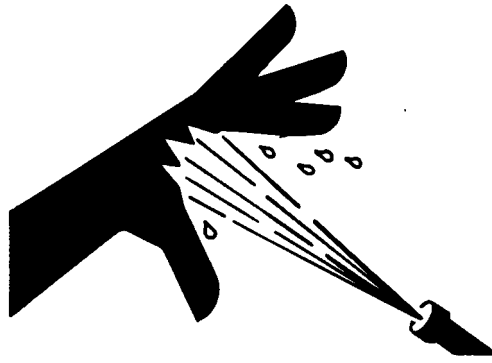
Dispose of paint and solvent properly.

DX,PAINT -19-24JUL02-1/1

Do Not Open High-Pressure Fuel System

High-pressure fluid remaining in fuel lines can cause serious injury. Do not disconnect or attempt repair of fuel lines, sensors, or any other components between the high-pressure fuel pump and nozzles on engines with High Pressure Common Rail (HPCR) fuel system.

Only technicians familiar with this type of system can perform repairs. (See your John Deere dealer.)



TS1343 —UN—18MAR92

DX,WW,HPCR1 -19-07JAN03-1/1

Avoid High-Pressure Fluids

Inspect hydraulic hoses periodically – at least once per year – for leakage, kinking, cuts, cracks, abrasion, blisters, corrosion, exposed wire braid or any other signs of wear or damage.

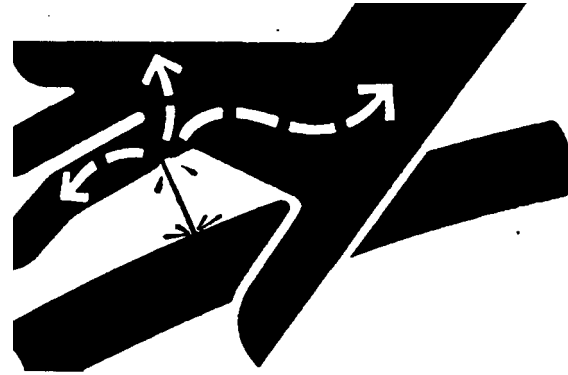
Replace worn or damaged hose assemblies immediately with John Deere approved replacement parts.

Escaping fluid under pressure can penetrate the skin causing serious injury.

Avoid the hazard by relieving pressure before disconnecting hydraulic or other lines. Tighten all connections before applying pressure.

Search for leaks with a piece of cardboard. Protect hands and body from high-pressure fluids.

If an accident occurs, see a doctor immediately. Any fluid injected into the skin must be surgically removed within a few hours or gangrene may result. Doctors unfamiliar



X9811 —UN—23AUG88

with this type of injury should reference a knowledgeable medical source. Such information is available in English from Deere & Company Medical Department in Moline, Illinois, U.S.A., by calling 1-800-822-8262 or +1 309-748-5636.

DX,FLUID -19-12OCT11-1/1

Avoid Heating Near Pressurized Fluid Lines

Flammable spray can be generated by heating near pressurized fluid lines, resulting in severe burns to yourself and bystanders. Do not heat by welding, soldering, or using a torch near pressurized fluid lines or other flammable materials. Pressurized lines can accidentally burst when heat goes beyond the immediate flame area.



TS963 —UN—15MAY90

DX,TORCH -19-10DEC04-1/1

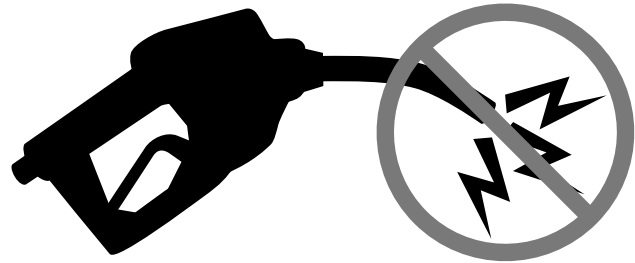
Avoid Static Electricity Risk When Refueling

The removal of sulfur and other compounds in Ultra-Low Sulfur Diesel (ULSD) fuel decreases its conductivity and increases its ability to store a static charge.

Refineries may have treated the fuel with a static dissipating additive. However, there are many factors that can reduce the effectiveness of the additive over time.

Static charges can build up in ULSD fuel while it is flowing through fuel delivery systems. Static electricity discharge when combustible vapors are present could result in a fire or explosion.

Therefore, it is important to ensure that the entire system used to refuel your machine (fuel supply tank, transfer pump, transfer hose, nozzle, and others) is properly grounded and bonded. Consult with your fuel or fuel system supplier to ensure that the delivery system is in compliance with fueling standards for proper grounding and bonding practices.



RG22142 —UN—17MAR14

RG21992 —UN—21AUG13

DX,FUEL,STATIC,ELEC -19-12JUL13-1/1

Handle Fuel Safely—Avoid Fires

Handle fuel with care: it is highly flammable. Do not refuel the machine while smoking or when near open flame or sparks.

Always stop engine before refueling machine. Fill fuel tank outdoors.

Prevent fires by keeping machine clean of accumulated trash, grease, and debris. Always clean up spilled fuel.

Use only an approved fuel container for transporting flammable liquids.

Never fill fuel container in pickup truck with plastic bed liner. Always place fuel container on ground before refueling. Touch fuel container with fuel dispenser nozzle before removing can lid. Keep fuel dispenser nozzle in contact with fuel container inlet when filling.



Do not store fuel container where there is an open flame, spark, or pilot light such as within a water heater or other appliance.

TS202 —UN—23AUG88

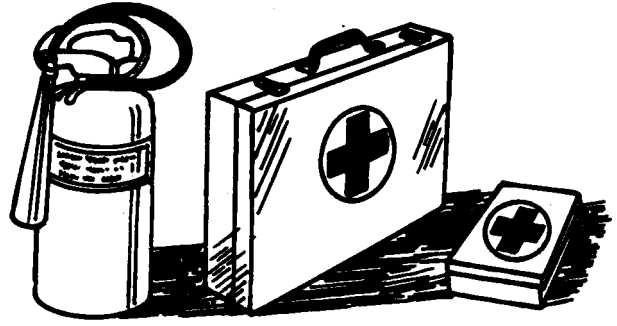
DX,FIRE1 -19-12OCT11-1/1

Prepare for Emergencies

Be prepared if a fire starts.

Keep a first aid kit and fire extinguisher handy.

Keep emergency numbers for doctors, ambulance service, hospital, and fire department near your telephone.



TS291—UN—15APR13

DX,FIRE2 -19-03MAR93-1/1

Handle Starting Fluid Safely

Starting fluid is highly flammable.

Keep all sparks and flame away when using it. Keep starting fluid away from batteries and cables.

To prevent accidental discharge when storing the pressurized can, keep the cap on the container, and store in a cool, protected location.

Do not incinerate or puncture a starting fluid container.

Do not use starting fluid on an engine equipped with glow plugs or an air intake heater.



TS1356—UN—18MAR92

DX,FIRE3 -19-14MAR14-1/1

Handling Batteries Safely

Battery gas can explode. Keep sparks and flames away from batteries. Use a flashlight to check battery electrolyte level.

Never check battery charge by placing a metal object across the posts. Use a voltmeter or hydrometer.

Always remove grounded (-) battery clamp first and replace grounded clamp last.

Sulfuric acid in battery electrolyte is poisonous and strong enough to burn skin, eat holes in clothing, and cause blindness if splashed into eyes.

Avoid hazards by:

- Filling batteries in a well-ventilated area
- Wearing eye protection and rubber gloves
- Avoiding use of air pressure to clean batteries
- Avoiding breathing fumes when electrolyte is added
- Avoiding spilling or dripping electrolyte
- Using correct battery booster or charger procedure.

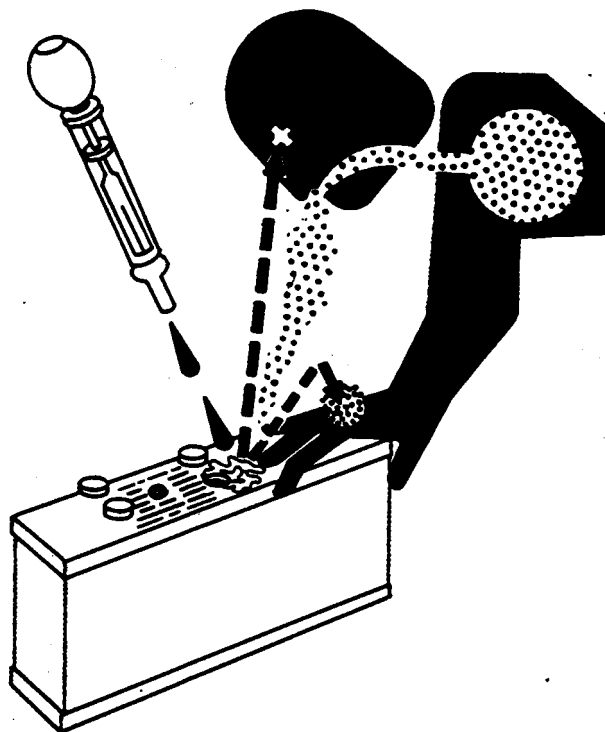
If acid is spilled on skin or in eyes:

1. Flush skin with water.
2. Apply baking soda or lime to help neutralize the acid.
3. Flush eyes with water for 15—30 minutes. Get medical attention immediately.

If acid is swallowed:

1. Do not induce vomiting.
2. Drink large amounts of water or milk, but do not exceed 2 L (2 qt.).
3. Get medical attention immediately.

WARNING: Battery posts, terminals, and related accessories contain lead and lead compounds, chemicals known to the State of California to cause cancer and reproductive harm. **Wash hands after handling.**



TS204—UN—15APR13

TS203—UN—23AUG88

DX,WW,BATTERIES -19-02DEC10-1/1

Prevent Acid Burns

Sulfuric acid in battery electrolyte is poisonous. It is strong enough to burn skin, eat holes in clothing, and cause blindness if splashed into eyes.

Avoid the hazard by:

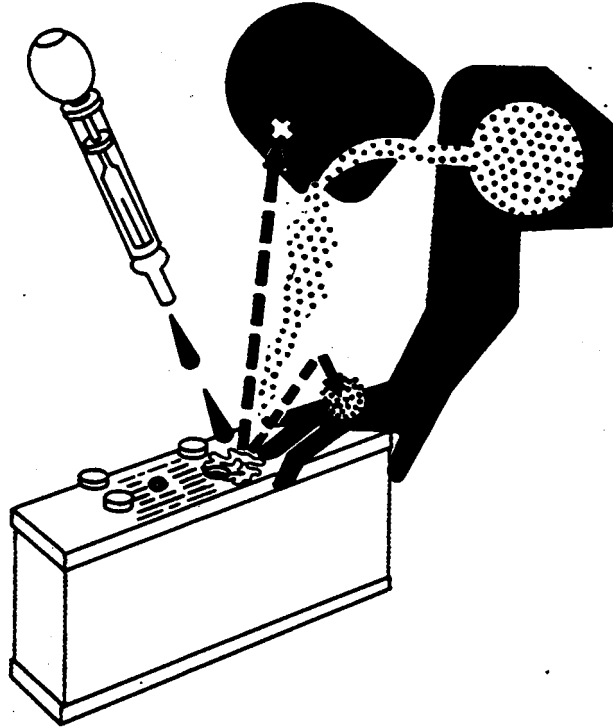
1. Filling batteries in a well-ventilated area.
2. Wearing eye protection and rubber gloves.
3. Avoiding breathing fumes when electrolyte is added.
4. Avoiding spilling or dripping electrolyte.
5. Use proper jump start procedure.

If you spill acid on yourself:

1. Flush your skin with water.
2. Apply baking soda or lime to help neutralize the acid.
3. Flush your eyes with water for 15—30 minutes. Get medical attention immediately.

If acid is swallowed:

1. Do not induce vomiting.
2. Drink large amounts of water or milk, but do not exceed 2 L (2 quarts).
3. Get medical attention immediately.



TS203 —UN—23AUG88

DX,POISON -19-21APR93-1/1

Prevent Battery Explosions

Keep sparks, lighted matches, and open flame away from the top of battery. Battery gas can explode.

Never check battery charge by placing a metal object across the posts. Use a volt-meter or hydrometer.

Do not charge a frozen battery; it may explode. Warm battery to 16°C (60°F).



TS204 —UN—15APR13

DX,SPARKS -19-03MAR93-1/1

Live With Safety

Before returning machine to customer, make sure machine is functioning properly, especially the safety systems. Install all guards and shields.



TS231—19—07OCT88

DX,LIVE -19-25SEP92-1/1

Fuels, Lubricants, and Coolant

Diesel Fuel

Consult your local fuel distributor for properties of the diesel fuel available in your area.

In general, diesel fuels are blended to satisfy the low temperature requirements of the geographical area in which they are marketed.

Diesel fuels specified to EN 590 or ASTM D975 are recommended. Renewable diesel fuel produced by hydrotreating animal fats and vegetable oils is basically identical to petroleum diesel fuel. Renewable diesel that meets EN 590, ASTM D975, or EN 15940 is acceptable for use at all percentage mixture levels.

Required Fuel Properties

In all cases, the fuel shall meet the following properties:

Cetane number of 40 minimum. Cetane number greater than 47 is preferred, especially for temperatures below -20°C (-4°F) or elevations above 1675 m (5500 ft.).

Cold Filter Plugging Point (CFPP) should be at least 5°C (9°F) below the expected lowest temperature or **Cloud Point** below the expected lowest ambient temperature.

Fuel lubricity should pass a maximum scar diameter of 0.52 mm as measured by ASTM D6079 or ISO 12156-1. A maximum scar diameter of 0.45 mm is preferred.

Diesel fuel quality and sulfur content must comply with all existing emissions regulations for the area in which the engine operates. DO NOT use diesel fuel with sulfur content greater than 10 000 mg/kg (10 000 ppm).

E-Diesel fuel

DO NOT use E-Diesel (Diesel fuel and ethanol blend). Use of E-Diesel fuel in any John Deere machine may void the machine warranty.

 **CAUTION: Avoid severe injury or death due to the fire and explosion risk from using E-Diesel fuel.**

Sulfur content for Interim Tier 4, Final Tier 4, Stage III B, and Stage IV Engines

- Use ONLY ultra low sulfur diesel (ULSD) fuel with a maximum of 15 mg/kg (15 ppm) sulfur content.

Sulfur Content for Tier 3 and Stage III A Engines

- Use of diesel fuel with sulfur content less than 1000 mg/kg (1000 ppm) is RECOMMENDED.
- Use of diesel fuel with sulfur content 1000—2000 mg/kg (1000—2000 ppm) REDUCES the oil and filter change interval.
- BEFORE using diesel fuel with sulfur content greater than 2000 mg/kg (2000 ppm), contact your John Deere dealer.

Sulfur Content for Tier 2 and Stage II Engines

- Use of diesel fuel with sulfur content less than 2000 mg/kg (2000 ppm) is RECOMMENDED.
- Use of diesel fuel with sulfur content 2000—5000 mg/kg (2000—5000 ppm) REDUCES the oil and filter change interval.
- BEFORE using diesel fuel with sulfur content greater than 5000 mg/kg (5000 ppm), contact your John Deere dealer.

Sulfur Content for Other Engines

- Use of diesel fuel with sulfur content less than 5000 mg/kg (5000 ppm) is RECOMMENDED.
- Use of diesel fuel with sulfur content greater than 5000 mg/kg (5000 ppm) REDUCES the oil and filter change interval.

IMPORTANT: Do not mix used diesel engine oil or any other type of lubricating oil with diesel fuel.

Improper fuel additive usage may cause damage on fuel injection equipment of diesel engines.

DX,FUEL1 -19-13JAN16-1/1

Supplemental Diesel Fuel Additives

Diesel fuel can be the source of performance or other operational problems for many reasons. Some causes include poor lubricity, contaminants, low cetane number, and a variety of properties that cause fuel system deposits. These and others are referenced in other sections of this Operator's Manual.

To optimize engine performance and reliability, closely follow recommendations on fuel quality, storage, and handling, which are found elsewhere in this Operator's Manual.

To further aid in maintaining performance and reliability of the engine's fuel system, John Deere has developed a family of fuel additive products for most global markets. The primary products include Fuel-Protect Diesel Fuel Conditioner (full feature conditioner in winter and summer formulas) and Fuel-Protect Keep Clean (fuel injector deposit removal and prevention). Availability of these and other products varies by market. See your local John Deere dealer for availability and additional information about fuel additives that might be right for your needs.

DX,FUEL13 -19-07FEB14-1/1

Lubricity of Diesel Fuel

Most diesel fuels manufactured in the United States, Canada, and the European Union have adequate lubricity to ensure proper operation and durability of fuel injection system components. However, diesel fuels manufactured in some areas of the world may lack the necessary lubricity.

IMPORTANT: Make sure the diesel fuel used in your machine demonstrates good lubricity characteristics.

Fuel lubricity should pass a maximum scar diameter of 0.52 mm as measured by ASTM D6079 or ISO 12156-1. A maximum scar diameter of 0.45 mm is preferred.


If fuel of low or unknown lubricity is used, add John Deere Fuel-Protect Diesel Fuel Conditioner (or equivalent) at the specified concentration.

Lubricity of BioDiesel Fuel

Fuel lubricity can improve significantly with BioDiesel blends up to B20 (20% BioDiesel). Further increase in lubricity is limited for BioDiesel blends greater than B20.

DX,FUEL5 -19-07FEB14-1/1

Handling and Storing Diesel Fuel

 **CAUTION: Reduce the risk of fire. Handle fuel carefully. DO NOT fill the fuel tank when engine is running. DO NOT smoke while you fill the fuel tank or service the fuel system.**

Fill the fuel tank at the end of each day's operation to prevent water condensation and freezing during cold weather.

Keep all storage tanks as full as practical to minimize condensation.

Ensure that all fuel tank caps and covers are installed properly to prevent moisture from entering. Monitor water content of the fuel regularly.

When using biodiesel fuel, the fuel filter may require more frequent replacement due to premature plugging.

Check engine oil level daily prior to starting engine. A rising oil level may indicate fuel dilution of the engine oil.

IMPORTANT: The fuel tank is vented through the filler cap. If a new filler cap is required, always replace it with an original vented cap.

When fuel is stored for an extended period or if there is a slow turnover of fuel, add a fuel conditioner to stabilize the fuel and prevent water condensation. Contact your fuel supplier or John Deere dealer for recommendations.

DX,FUEL4 -19-15FEB13-1/1

BioDiesel Fuel

BioDiesel fuel is comprised of mono-alkyl esters of long chain fatty acids derived from vegetable oils or animal fats. BioDiesel blends are BioDiesel mixed with petroleum diesel fuel on a volume basis.

Before using fuel containing BioDiesel, review the BioDiesel Use Requirements and Recommendations in this Operator's Manual.

Environmental laws and regulations can encourage or prohibit the use of biofuels. Operators should consult with appropriate governmental authorities prior to using biofuels.

All John Deere Engines with Exhaust Filter (Released 2011 and After)

While 5% blends (B5) are preferred, BioDiesel concentrations up to a 20% blend (B20) in petroleum diesel fuel can be used. BioDiesel blends up to B20 can be used ONLY if the BioDiesel (100% BioDiesel or B100) meets ASTM D6751, EN 14214, or equivalent specification. Expect a 2% reduction in power and a 3% reduction in fuel economy when using B20.

BioDiesel concentrations above B20 can harm the engine's emission control systems and should not be used. Risks include, but are not limited to, more frequent stationary regeneration, soot accumulation, and increased intervals for ash removal.

John Deere approved fuel conditioners, which contain detergent and dispersant additives, are required when using BioDiesel blends from B10—B20, and are recommended when using lower BioDiesel blends.

All John Deere Engines Excluding Exhaust Filter (Primarily Released Prior to 2012)

While 5% blends (B5) are preferred, BioDiesel concentrations up to a 20% blend (B20) in petroleum diesel fuel can be used. BioDiesel blends up to B20 can be used ONLY if the BioDiesel (100% BioDiesel or B100) meets ASTM D6751, EN 14214, or equivalent specification. Expect a 2% reduction in power and a 3% reduction in fuel economy when using B20.

These John Deere engines can operate on BioDiesel blends above B20 (up to 100% BioDiesel). Operate at levels above B20 ONLY if the BioDiesel is permitted by law and meets the EN 14214 specification (primarily available in Europe). Engines operating on BioDiesel blends above B20 might not fully comply with or be permitted by all applicable emissions regulations. Expect up to a 12% reduction in power and an 18% reduction in fuel economy when using 100% BioDiesel.

John Deere approved fuel conditioners, which contain detergent and dispersant additives, are required when using BioDiesel blends from B10—B20, and are recommended when using lower BioDiesel blends.

BioDiesel Use Requirements and Recommendations

The petroleum diesel portion of all BioDiesel blends must meet the requirements of ASTM D975 (US) or EN 590 (EU) commercial standard.

BioDiesel users in the U.S. are strongly encouraged to purchase BioDiesel blends from a BQ-9000 Certified Marketer and sourced from a BQ-9000 Accredited Producer (as certified by the National BioDiesel Board). Certified Marketers and Accredited Producers can be found at the following website: <http://www.bq9000.org>.

BioDiesel contains residual ash. Ash levels exceeding the maximums allowed in either ASTM D6751 or EN14214 can result in more rapid ash loading and require more frequent cleaning of the Exhaust Filter (if present).

The fuel filter can require more frequent replacement, when using BioDiesel fuel, particularly if switching from diesel. Check engine oil level daily prior to starting engine. A rising oil level can indicate fuel dilution of the engine oil. BioDiesel blends up to B20 must be used within 90 days of the date of BioDiesel manufacture. BioDiesel blends above B20 must be used within 45 days from the date of BioDiesel manufacture.

When using BioDiesel blends up to B20, the following must be considered:

- Cold-weather flow degradation
- Stability and storage issues (moisture absorption, microbial growth)
- Possible filter restriction and plugging (usually a problem when first switching to BioDiesel on used engines)
- Possible fuel leakage through seals and hoses (primarily an issue with older engines)
- Possible reduction of service life of engine components

Request a certificate of analysis from your fuel distributor to ensure that the fuel is compliant with the specifications provided in this Operator's Manual.

Consult your John Deere dealer for approved fuel conditioners to improve storage and performance with BioDiesel fuels.

The following must also be considered if using BioDiesel blends above B20:

- Possible coking or blocked injector nozzles, resulting in power loss and engine misfire if John Deere approved fuel conditioners are not used
- Possible crankcase oil dilution (requiring more frequent oil changes)
- Possible lacquering or seizure of internal components
- Possible formation of sludge and sediments
- Possible thermal oxidation of fuel at elevated temperatures
- Possible compatibility issues with other materials (including copper, lead, zinc, tin, brass, and bronze) used in fuel handling equipment

- Possible reduction in water separator efficiency
- Possible damage to paint if exposed to BioDiesel
- Possible corrosion of fuel injection equipment
- Possible elastomeric seal and gasket material degradation (primarily an issue with older engines)
- Possible high acid levels within fuel system
- Because BioDiesel blends above B20 contain more ash, using blends above B20 can result in more rapid

ash loading and require more frequent cleaning of the Exhaust Filter (if present)

IMPORTANT: Raw pressed vegetable oils are NOT acceptable for use as fuel in any concentration in John Deere engines. Their use could cause engine failure.

DX,FUEL7 -19-15MAY13-2/2

Testing Diesel Fuel

A fuel analysis program can help to monitor the quality of diesel fuel. The fuel analysis can provide critical data such as cetane number, fuel type, sulfur content, water content, appearance, suitability for cold weather

operations, bacteria, cloud point, acid number, particulate contamination, and whether the fuel meets specification.

Contact your John Deere dealer for more information on diesel fuel analysis.

DX,FUEL6 -19-14APR11-1/1

Fuel Filters

The importance of fuel filtration cannot be overemphasized with modern fuel systems. The combination of increasingly restrictive emission regulations and more efficient engines requires fuel system to operate at much higher pressures. Higher pressures can only be achieved using fuel injection components with very close tolerances. These close

manufacturing tolerances have significantly reduced capacities for debris and water.

John Deere brand fuel filters have been designed and produced specifically for John Deere engines.

To protect the engine from debris and water, always change engine fuel filters as specified in this manual.

DX,FILT2 -19-14APR11-1/1

Minimizing the Effect of Cold Weather on Diesel Engines

John Deere diesel engines are designed to operate effectively in cold weather.

However, for effective starting and cold-weather operation, a little extra care is necessary. The following information outlines steps that can minimize the effect that cold weather may have on starting and operation of your engine. See your John Deere dealer for additional information and local availability of cold-weather aids.

Use Winter Grade Fuel

When temperatures fall below 0 °C (32 °F), winter grade fuel (No. 1-D in North America) is best suited for cold-weather operation. Winter grade fuel has a lower cloud point and a lower pour point.

Cloud point is the temperature at which wax begins to form in the fuel. This wax causes fuel filters to plug. **Pour point** is the lowest temperature at which movement of the fuel is observed.


NOTE: On average, winter grade diesel fuel has a lower Btu (heat content) rating. Using winter grade fuel may reduce power and fuel efficiency, but should not cause any other engine performance effects. Check the grade of fuel being used before troubleshooting for low-power complaints in cold-weather operation.

Air Intake Heater

An air intake heater is an available option for some engines to aid cold weather starting.

Ether

An ether port on the intake is available to aid cold weather starting.

 **CAUTION: Ether is highly flammable. Do not use ether when starting an engine equipped with glow plugs or an air intake heater.**

Coolant Heater

An engine block heater (coolant heater) is an available option to aid cold weather starting.

Seasonal Viscosity Oil and Proper Coolant Concentration

Use seasonal grade viscosity engine oil based on the expected air temperature range between oil changes and a proper concentration of low silicate antifreeze as recommended. (See DIESEL ENGINE OIL and ENGINE COOLANT requirements in this section.)

Diesel Fuel Flow Additive

Use John Deere Fuel-Protect Diesel Fuel Conditioner (winter formula), which contains anti-gel chemistry, or equivalent fuel conditioner to treat non-winter grade fuel (No. 2-D in North America) during the cold-weather season. This generally extends operability to about 10 °C (18 °F) below the fuel cloud point. For operability at even lower temperatures, use winter grade fuel.

IMPORTANT: Treat fuel when outside temperature drops below 0 °C (32 °F). For best results, use with untreated fuel. Follow all recommended instructions on label.

BioDiesel

When operating with BioDiesel blends, wax formation can occur at warmer temperatures. Begin using John Deere Fuel-Protect Diesel Fuel Conditioner (winter formula) at 5 °C (41 °F) to treat BioDiesel fuels during the cold-weather season. Use B5 or lower blends at temperatures below 0 °C (32 °F). Use only winter grade petroleum diesel fuel at temperatures below -10 °C (14 °F).

Winterfronts

Use of fabric, cardboard, or solid winterfronts is not recommended with any John Deere engine. Their use can result in excessive engine coolant, oil, and charge air temperatures. This can lead to reduced engine life, loss of power and poor fuel economy. Winterfronts may also put abnormal stress on fan and fan drive components potentially causing premature failures.

If winterfronts are used, they should never totally close off the grill frontal area. Approximately 25% area in the center of the grill should remain open at all times. At no time should the air blockage device be applied directly to the radiator core.

Radiator Shutters

If equipped with a thermostatically controlled radiator shutter system, this system should be regulated in such a way that the shutters are completely open by the time the coolant reaches 93 °C (200 °F) to prevent excessive intake manifold temperatures. Manually controlled systems are not recommended.

If air-to-air aftercooling is used, the shutters must be completely open by the time the intake manifold air temperature reaches the maximum allowable temperature out of the charge air cooler.

For more information, see your John Deere dealer.

DX,FUEL10 -19-15MAY13-1/1

Diesel Engine Break-In Oil — Non-Emissions Certified and Certified Tier 1, Tier 2, Tier 3, Stage I, Stage II, and Stage III

New engines are filled at the factory with either John Deere Break-In™ or John Deere Break-In Plus™ Engine Oil. During the break-in period, add John Deere Break-In™ or Break-In Plus™ Engine Oil, respectively, as needed to maintain the specified oil level.

Operate the engine under various conditions, particularly heavy loads with minimal idling, to help seat engine components properly.

If John Deere Break-In™ Engine Oil is used during the initial operation of a new or rebuilt engine, change the oil and filter at a maximum of 100 hours.

If John Deere Break-In Plus™ Engine Oil is used, change the oil and filter at a minimum of 100 hours and a maximum equal to the interval specified for John Deere Plus-50™ II or Plus-50™ oil.

After engine overhaul, fill the engine with either John Deere Break-In™ or Break-In Plus™ Engine Oil.

If John Deere Break-In™ or Break-In Plus™ Engine Oil is not available, use an SAE 10W-30 viscosity grade diesel engine oil meeting one of the following and change the oil and filter at a maximum of 100 hours of operation:

- API Service Classification CE
- API Service Classification CD
- API Service Classification CC

*Break-In is a trademark of Deere & Company.
Break-In Plus is a trademark of Deere & Company
Plus-50 is a trademark of Deere & Company.*

- ACEA Oil Sequence E2
- ACEA Oil Sequence E1

IMPORTANT: Do not use Plus-50™ II, Plus-50™, or engine oils meeting any of the following for the initial break-in of a new or rebuilt engine:

API CK-4	ACEA E9
API CJ-4	ACEA E7
API CI-4 PLUS	ACEA E6
API CI-4	ACEA E5
API CH-4	ACEA E4
API CG-4	ACEA E3
API CF-4	
API CF-2	
API CF	

These oils do not allow the engine to break in properly.

John Deere Break-In Plus™ Engine Oil can be used for all John Deere diesel engines at all emission certification levels.

After the break-in period, use John Deere Plus-50™ II, John Deere Plus-50™, or other diesel engine oil as recommended in this manual.

DX,ENOIL4 -19-02NOV16-1/1

Diesel Engine Oil — Marine Engines

Failure to follow applicable oil standards and drain intervals can result in severe engine damage that might not be covered under warranty. Warranties, including the emissions warranty, are not conditioned on the use of John Deere oils, parts, or service.

Use oil viscosity based on the expected air temperature range during the period between oil changes.

John Deere Plus-50™ II oil is preferred.

John Deere Torq-Gard™ is also allowed.

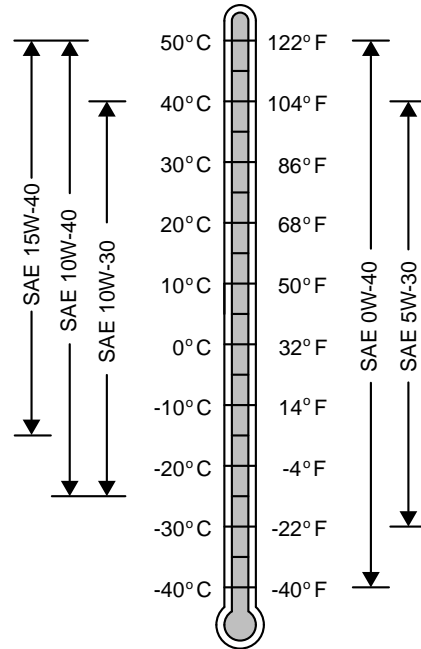
Other oils may be used if they meet one or more of the following standards:

- API Service Category CK-4
- API Service Category CJ-4
- API Service Category CI-4 PLUS
- API Service Category CI-4
- ACEA Oil Sequence E9
- ACEA Oil Sequence E7
- ACEA Oil Sequence E6
- ACEA Oil Sequence E5
- ACEA Oil Sequence E4

Multi-viscosity diesel engine oils are preferred.

Diesel fuel quality and fuel sulfur content must comply with all existing emissions regulations for the area in which the engine operates.

*Plus-50 is a trademark of Deere & Company
Torq-Gard is a trademark of Deere & Company*



Oil Viscosities for Air Temperature Ranges

DO NOT use diesel fuel with sulfur content greater than 10000 mg/kg (10000 ppm).

TS1691 —UN—18JUL07

AK08008,000004A -19-17APR17-1/1

Engine Oil and Filter Service Intervals — Tier 3 and Stage IIIA — Marine Engines

Recommended oil and filter service intervals are based on a combination of oil pan capacity, type of engine oil and filter used, and sulfur content of the diesel fuel. Actual service intervals also depend on operation and maintenance practices.

Use oil analysis to evaluate the condition of the oil and to aid in selection of the proper oil and filter service interval. Contact your John Deere dealer or other qualified service provider for more information on engine oil analysis.

Change the oil and oil filter at least once every 12 months even if the hours of operation are fewer than the otherwise recommended service interval.

Diesel fuel sulfur content affects engine oil and filter service intervals.

- Use of diesel fuel with sulfur content less than 1000 mg/kg (1000 ppm) is **RECOMMENDED**.
- Use of diesel fuel with sulfur content 1000—2000 mg/kg (1000—2000 ppm) **REDUCES** the oil and filter change interval.
- **BEFORE** using diesel fuel with sulfur content greater than 2000 mg/kg (2000 ppm), contact your John Deere dealer or qualified service provider.
- **DO NOT** use diesel fuel with sulfur content greater than 10000 mg/kg (10000 ppm).

IMPORTANT: To avoid engine damage:

- **Reduce oil and filter service intervals by 50% when using BioDiesel blends greater than B20. Oil analysis may allow longer service intervals.**
- **Use only approved oil types.**

Approved Oil Types:

*Plus-50 is a trademark of Deere & Company
Torq-Gard is a trademark of Deere & Company*

- “Plus-50 Oils” include John Deere Plus-50™ II and John Deere Plus-50™ or “Other Oils” with approved oil analysis.
- “Other Oils” include John Deere Torq-Gard™ and oils meeting the following standards: API CK-4, API CJ-4, API CI-4 PLUS, API CI-4, ACEA E9, ACEA E7, ACEA E6, ACEA E5, and ACEA E4.

Engine Oil and Filter Service Intervals		
Fuel Sulfur	Less than 500 mg/kg (500 ppm)	
Engine Type	Generator	Propulsion
Plus-50 Oil and JD Filters*	500 hours	375 hours
Fuel Sulfur	Less than 1000 mg/kg (1000 ppm)	
Plus-50 Oils*	375 hours	
Other Oils	250 hours	
Fuel Sulfur	1000—2000 mg/kg (1000—2000 ppm)	
Plus-50 Oils*	300 hours	
Other Oils	200 hours	
Fuel Sulfur	2000—10000 mg/kg (2000—10000 ppm)	
Plus-50 Oils*	Contact John Deere dealer or qualified service provider	
Other Oils	Contact John Deere dealer or qualified service provider	
Fuel Sulfur	Greater than 10000 mg/kg (Greater than 10000 ppm)	
Plus-50 Oils*	Do not use	
Other Oils	Do not use	
*Or “Other Oils” with approved oil analysis Oil analysis may extend the service interval of “Other Oils” to a maximum not to exceed the interval of Plus-50 II oils. Oil analysis means taking a series of oil samples at 50-hour increments beyond the normal service interval until either the data indicates the end of useful oil life or the maximum service interval of John Deere Plus-50 II oils is reached.		

AK08008.000004C -19-17APR17-1/1

Mixing of Lubricants

In general, avoid mixing different brands or types of oil. Oil manufacturers blend additives in their oils to meet certain specifications and performance requirements.

Mixing different oils can interfere with the proper functioning of these additives and degrade lubricant performance.

Consult your John Deere dealer to obtain specific information and recommendations.

DX,LUBMIX -19-18MAR96-1/1

Alternative and Synthetic Lubricants

Conditions in certain geographical areas may require lubricant recommendations different from those printed in this manual.

Some John Deere brand coolants and lubricants may not be available in your location.

Consult your John Deere dealer to obtain information and recommendations.

Synthetic lubricants may be used if they meet the performance requirements as shown in this manual.

The temperature limits and service intervals shown in this manual apply to both conventional and synthetic lubricants.

Re-refined base stock products may be used if the finished lubricant meets the performance requirements.

DX,ALTER -19-11APR11-1/1

Lubricant Storage

Your equipment can operate at top efficiency only when clean lubricants are used.

Use clean containers to handle all lubricants.

Store lubricants and containers in an area protected from dust, moisture, and other contamination. Store containers on their side to avoid water and dirt accumulation.

Make certain that all containers are properly marked to identify their contents.

Properly dispose of all old containers and any residual lubricant they may contain.

DX,LUBST -19-11APR11-1/1

Oil Filters

Filtration of oils is critically important for proper operation and lubrication. John Deere brand oil filters have been designed and produced specifically for John Deere applications.

John Deere filters adhere to engineering specifications for quality of the filter media, filter efficiency rating, strength

of the bond between the filter media and the element end cap, fatigue life of the canister (if applicable), and pressure capability of the filter seal. Non-John Deere branded oil filters might not meet these key John Deere specifications.

Always change oil filters regularly as specified in this manual.

DX,FILT1 -19-11APR11-1/1

Diesel Engine Coolant (engine with wet sleeve cylinder liners)

Preferred Coolants

The following pre-mix engine coolants are preferred:

- John Deere COOL-GARD™II
- John Deere COOL-GARD II PG

COOL-GARD II pre-mix coolant is available in several concentrations with different freeze protection limits as shown in the following table.

COOL-GARD II pre-mix	Freeze Protection Limit
COOL-GARD II 20/80	-9 °C (16 °F)
COOL-GARD II 30/70	-16 °C (3 °F)
COOL-GARD II 50/50	-37 °C (-34 °F)
COOL-GARD II 55/45	-45 °C (-49 °F)
COOL-GARD II PG 60/40	-49 °C (-56 °F)
COOL-GARD II 60/40	-52 °C (-62 °F)

Not all COOL-GARD II pre-mix products are available in all countries.

Use COOL-GARD II PG when a non-toxic coolant formulation is required.

Additional Recommended Coolants

The following engine coolant is also recommended:

- John Deere COOL-GARD II Concentrate in a 40—60% mixture of concentrate with quality water.

IMPORTANT: When mixing coolant concentrate with water, do not use less than 40% or greater than 60% concentration of coolant. Less than 40% gives inadequate additives for corrosion protection. Greater than 60% can result in coolant gelation and cooling system problems.

Other Coolants

Other ethylene glycol or propylene glycol base coolants may be used if they meet the following specification:

- Pre-mix coolant meeting ASTM D6210 requirements

COOL-GARD is a trademark of Deere & Company

- Coolant concentrate meeting ASTM D6210 requirements in a 40—60% mixture of concentrate with quality water

If coolant meeting one of these specifications is unavailable, use a coolant concentrate or pre-mix coolant that has a minimum of the following chemical and physical properties:

- Provides cylinder liner cavitation protection according to either the John Deere Cavitation Test Method or a fleet study run at or above 60% load capacity
- Is formulated with a nitrite-free additive package
- Protects the cooling system metals (cast iron, aluminum alloys, and copper alloys such as brass) from corrosion

Water Quality

Water quality is important to the performance of the cooling system. Distilled, deionized, or demineralized water is recommended for mixing with ethylene glycol and propylene glycol base engine coolant concentrate.

Coolant Drain Intervals

Drain and flush the cooling system and refill with fresh coolant at the indicated interval, which varies with the coolant used.

When COOL-GARD II or COOL-GARD II PG is used, the drain interval is 6 years or 6000 hours of operation.

If a coolant other than COOL-GARD II or COOL-GARD II PG is used, reduce the drain interval to 2 years or 2000 hours of operation.

IMPORTANT: Do not use cooling system sealing additives or antifreeze that contains sealing additives.

Do not mix ethylene glycol and propylene glycol base coolants.

Do not use coolants that contain nitrites.

DX.COOL3 -19-15MAY13-1/1

Water Quality for Mixing with Coolant Concentrate

Engine coolants are a combination of three chemical components: ethylene glycol (EG) or propylene glycol (PG) antifreeze, inhibiting coolant additives, and quality water.

Water quality is important to the performance of the cooling system. Distilled, deionized, or demineralized water is recommended for mixing with ethylene glycol and propylene glycol base engine coolant concentrate.

All water used in the cooling system should meet the following minimum specifications for quality:

Chlorides	<40 mg/L
Sulfates	<100 mg/L
Total solids	<340 mg/L
Total dissolved hardness	<170 mg/L
pH	5.5—9.0

IMPORTANT: Do not use bottled drinking water because it often contains higher concentrations of total dissolved solids.

Freeze Protection

The relative concentrations of glycol and water in the engine coolant determine its freeze protection limit.

Ethylene Glycol	Freeze Protection Limit
40%	-24 °C (-12 °F)
50%	-37 °C (-34 °F)
60%	-52 °C (-62 °F)
Propylene Glycol	Freeze Protection Limit
40%	-21 °C (-6 °F)
50%	-33 °C (-27 °F)
60%	-49 °C (-56 °F)

DO NOT use a coolant-water mixture greater than 60% ethylene glycol or 60% propylene glycol.

DX,COOL19 -19-15MAY13-1/1

Operating in Warm Temperature Climates

John Deere engines are designed to operate using recommended engine coolants.

Always use a recommended engine coolant, even when operating in geographical areas where freeze protection is not required.

IMPORTANT: Water may be used as coolant in emergency situations only.

Foaming, hot surface aluminum and iron corrosion, scaling, and cavitation occur when water is used as the coolant, even when coolant conditioners are added.

Drain cooling system and refill with recommended engine coolant as soon as possible.

DX,COOL6 -19-15MAY13-1/1

Testing Coolant Freeze Point

The use of a handheld coolant refractometer is the quickest, easiest, and most accurate method to determine coolant freeze point. This method is more accurate than a test strip or a float-type hydrometer which can produce poor results.

A coolant refractometer is available through your John Deere dealer under the SERVICEGARD™ tool program. Part number 75240 provides an economical solution to accurate freeze point determination in the field.

To use this tool:

1. Allow cooling system to cool to ambient temperatures.
2. Open radiator cap to expose coolant.
3. With the included dropper, collect a small coolant sample.
4. Open the lid of the refractometer, place one drop of coolant on the window and close the lid.
5. Look through the eyepiece and focus as necessary.
6. Record the listed freeze point for the type of coolant (ethylene glycol coolant or propylene glycol) being tested.



SERVICEGARD™ Part Number 75240



Image with a Drop of 50/50 Coolant Placed on the Refractometer Window

SERVICEGARD is a trademark of Deere & Company

DX,COOL,TEST -19-13JUN13-1/1

TS1732—UN—04SEP13

TS1733—UN—04SEP13

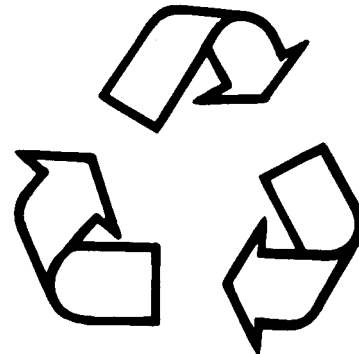
Disposing of Coolant

Improperly disposing of engine coolant can threaten the environment and ecology.

Use leakproof containers when draining fluids. Do not use food or beverage containers that may mislead someone into drinking from them.

Do not pour waste onto the ground, down a drain, or into any water source.

Inquire on the proper way to recycle or dispose of waste from your local environmental or recycling center, or from your John Deere engine distributor or servicing dealer.



Recycle Waste

RG,RG34710,7543 -19-09JAN07-1/1

TS1133—UN—15APR13

Instrument Panels

Sea Trials for Performance and Warranty

NOTE: John Deere Marine Engines are not eligible for an extended warranty until proper installation and performance is found to be consistent with John Deere's Application Guidelines; verified by a sea trial. Once a sea trial has been completed, your John Deere dealer / distributor will provide the results to John Deere for analysis. If the engine installation meets all guidelines it will then be eligible for extended warranty.

Following any John Deere marine engine installation a John Deere Marine dealer should conduct a sea trial in order to validate proper installation. In order to maximize the performance of each vessel, it is very important to have each installation checked mechanically and electronically before it is put into regular service. The testing and investigation conducted during sea trials can proactively identify issues before they potentially result in performance problems. Sea trials also provide valuable insight to optimize engine performance, improve long-term durability, and provide a useful reference for future updates.

Two important requirements examined in a sea trial are exhaust backpressure and rated engine speed. Exceeding the recommended backpressure could result in extensive engine damage or failure. The rated engine speed is checked to verify the vessel is not over-propped (propeller is too big) or under-propped (propeller is too small). Either of these conditions will reduce engine life expectancy, increase repair costs and negatively impact fuel consumption. The John Deere Marine dealer should



RG17228—UN—12JUN09

also verify that the additional requirements set forth in the John Deere Marine Application Guidelines were met during engine installation.

The overall benefit of the sea trial is to verify the engines are installed correctly and are properly matched to the vessel. This provides for the best possible performance in the unpredictable conditions you may operate in on the open water.

NOTICE: ANY ENGINE DAMAGE RESULTING FROM OVER-PROPPING, EXCESSIVE EXHAUST BACK-PRESSURE OR OTHER INSTALLATION / RIGGING ISSUES ARE NOT COVERED UNDER WARRANTY.

NOTE: The specifications section in the back of this manual lists the rated speed for each of the different available power ratings.

JR74534,0000294 -19-23AUG11-1/1

John Deere Instrument (Gauge) Panel (Electronically Controlled Engines)

Tier 3 John Deere **POWERTECH™** Marine Engines have an electronic control system, which has the following controls and gauges as shown. The following information applies only to those controls and gauges supplied by John Deere for electronically controlled engines. Refer to your engine application manual or boat builder for specific guidelines if John Deere-sourced controls and instrumentation are not used.

NOTE: The standard main station (wheel house) instrument panel is shown. An optional fly-bridge panel is also available that includes the same gauges as the standard panel, but has a stop button in place of the key start switch.

NOTE: On generator-set engines, the gauges are supplied by the gen-set manufacturer. Minimum gauges required are: hour meter, oil pressure gauge and coolant temperature gauge as well as safety shutdown devices.

IMPORTANT: Whenever an electronic gauge or sensor does not register a correct reading, replace it with a new one. **DO NOT** attempt to repair it. Wiring diagrams are located in the **TROUBLESHOOTING** Section later in this manual.

Following is a brief description of the available optional electronic controls and gauges found on John Deere provided instrument panels. Refer to manufacturer's literature for information on controls not provided by Deere.

A—Engine Oil Pressure Gauge

The oil pressure gauge (A) indicates engine oil pressure. An audible alarm warns the operator if engine oil pressure falls below a safe operating pressure.

B—Engine Coolant Temperature Gauge

The engine coolant temperature gauge (B) indicates engine coolant temperature. An audible alarm warns the operator if coolant temperature rises above the preset safe operating temperature.

C—Voltmeter

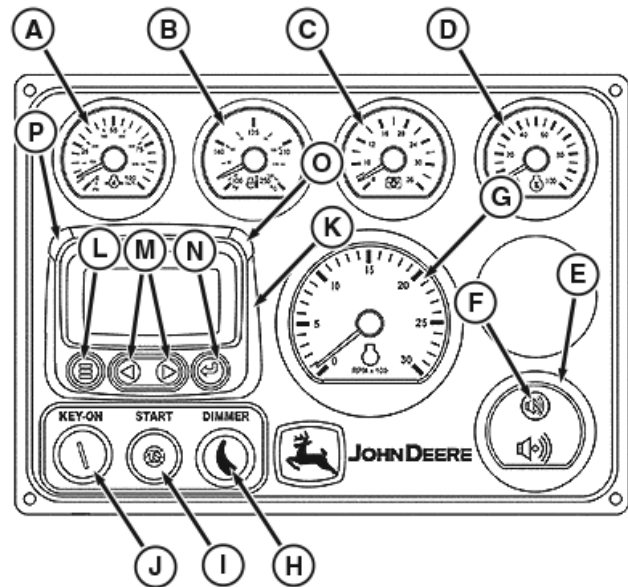
The voltmeter (C) indicates system battery voltage. The amber "Warning" light (P) illuminates when battery voltage is too low for proper operation of the fuel injection system.

D—Percent Load Gauge

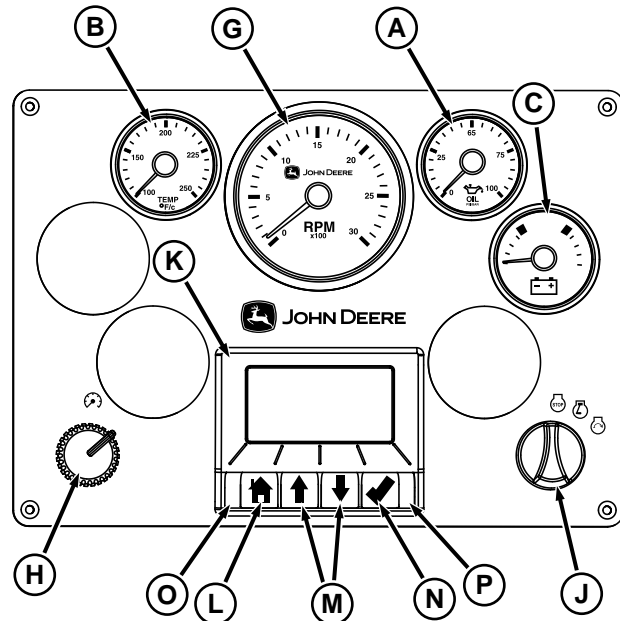
If equipped, the percent load gauge shows percent of available engine power being used by the vessel.

E—Audible Alarm

The audible alarm (E) sounds whenever low oil pressure, high coolant temperature, or water-in-fuel conditions exist. This includes all signals that light up the amber "warning"



Instrument Panel (Option A)



Instrument Panel (Option B)

- | | |
|-----------------------------------------------|-------------------------------------|
| A—Oil Pressure Gauge | I— Start Button (if equipped) |
| B—Coolant Temperature Gauge | J— Key Switch |
| C—Voltmeter | K—Diagnostic Gauge |
| D—Percent Load Gauge (if equipped) | L— Menu Key |
| E—Audible Alarm | M—Arrow Keys |
| F—Audible Alarm Override Button (if equipped) | N—Enter Key |
| G—Tachometer | O—Red "STOP ENGINE" Indicator Light |
| H—Dimmer Switch | P—Amber "WARNING" Indicator Light |

indicator (intermittent alarm) or the red "stop engine" indicator (steady alarm).

NOTE: Audible alarm is mounted behind the panel on option B.

F—Audible Alarm Override Button (Option A only)

The audible alarm has an override button (F) that silences the audible alarm for approximately two minutes when pressed.

G—Tachometer

The tachometer (G) indicates engine speed in hundreds of revolutions per minute (rpm).

H—Dimmer Switch

POWERTECH is a trademark of Deere & Company.

The dimmer switch (H) allows the operator to dim or brighten the illumination of the instrument panel. The diagnostic gauge (K) also has a backlight adjustment function.

I—Start Button

If equipped, the start button (I), when pressed and held in, operates the starting motor to start the engine. The engine will only start with key switch (J) in the “ON” position.

RG19661.00003B4 -19-01MAR17-2/2

John Deere Instrument (Gauge) Panel (Electronically Controlled Engines) (Continued)

J—Key Switch (Option A)

The main station instrument panel has a two-position (OFF/ON) key switch (J) which controls the engine electrical system, starts and stops the engine. When the switch is in the “ON” position, the engine may be started by pressing the start button (I).

The remote station instrument panel has a start/stop rocker in place of the key switch. With the key switch on the main station instrument panel in the ON position, the engine can be started and stopped from the remote station instrument panel.

J—Key Switch (Option B)

The main station instrument panel has a three-position (OFF/ON/CRANK) key switch (J) which controls the engine electrical system, starts and stops the engine.

The remote station instrument panel has a stop button in place of the key switch. With the key switch on the main station instrument panel in the ON position, the engine can be started and stopped from the remote station instrument panel.

K—Diagnostic Gauge/Hour Meter

The diagnostic gauge (K) displays diagnostic trouble codes (DTCs) as they are accessed. Other information on the engine can be accessed using the touch keys (L, M, and N). The hour meter feature shows the operating hours of the engine and should be used as a guide for scheduling periodic maintenance. If the diagnostic gauge receives a trouble code from an engine control unit, the current display switches to a warning or shutdown (depending on the severity of the code) screen that will display the trouble code number, the description of the

code and the corrective action needed. (Refer to the following pages for use of the diagnostic gauge or OEM Diagnostic Gauges Operator’s Manual OMDZ109098.)

L—Menu Key

The menu key is pressed to either enter or exit the menu screens.

M—Arrow Keys

Use the touch keys (M) to change the display on the window of the diagnostic gauge and to access engine performance data.

Pressing the left arrow to scroll to the left or upward or the right arrow to scroll to the right or downward. This will allow you to view various engine parameters and any diagnostic trouble codes that occur.

Refer to the following story for accessing engine information on the diagnostic gauge using the touch keys.

N—Enter Key

The enter key is pressed to select the parameter that is highlighted on the screen.

O—Red “STOP ENGINE” Indicator Light

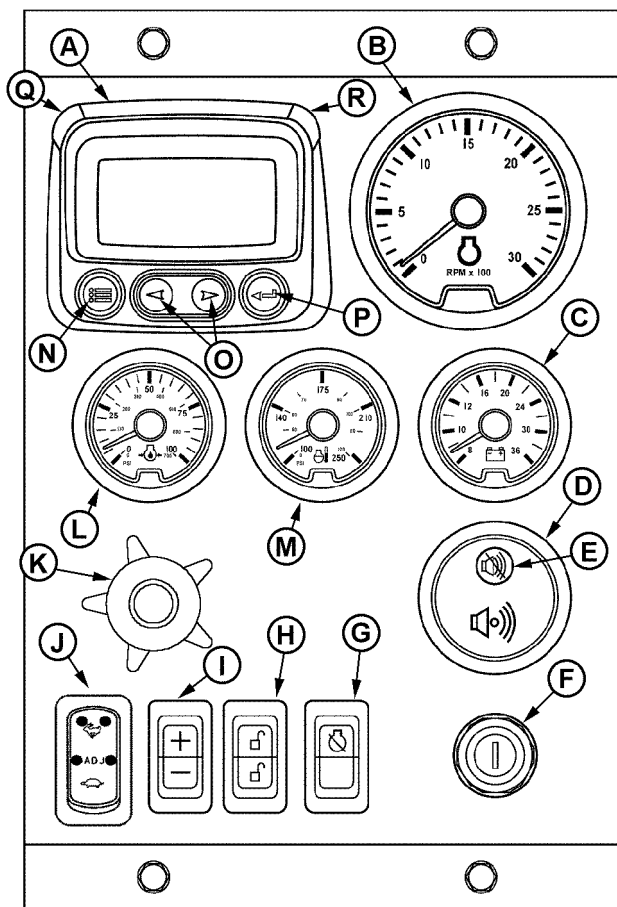
When light comes on, stop engine immediately or as soon as safely possible to prevent engine damage. Correct problem before restarting.

P—Amber “WARNING” Indicator Light

When light comes on, an abnormal condition exists. It is not necessary to shutdown engine immediately, but problem should be corrected as soon as possible.

OURGP12.0000218 -19-07MAR17-1/1

PV101 Instrument Panels



RG13276—UN—28OCT03

Full-Featured Instrument Panel

- | | | | |
|-----------------------------------------|-----------------------------------------------|----------------------------------------------|---------------------------------------------|
| A —Diagnostic Gauge/Hour Meter | F —Key Switch | K —Analog Throttle Control (Optional) | Q —Amber “WARNING” Indicator Light |
| B —Tachometer | G —Override Shutdown Rocker Switch | L —Oil Pressure Gauge | R —Red “STOP ENGINE” Indicator Light |
| C —Voltmeter (Optional) | H —Bump Enable Rocker Switch | M —Coolant Temperature Gauge | |
| D —Audible Alarm (Optional) | I —Speed Select Rocker Switch | N —Menu Key | |
| E —Audible Alarm Override Button | J —High-Low Speed Select Rocker Switch | O —Arrow Keys | |
| | | P —Enter Key | |

Interim tier 4 / Stage III B John Deere PowerTech™ OEM Engines have an electronic control system, which has the following controls and gauges as shown. The following information applies only to those controls and gauges supplied by John Deere. Refer to your engine application manual for specific guidelines if John Deere-sourced controls and instrumentation are not used.

NOTE: This manual only covers operation of engine with a John Deere control system.

Following is a brief description of the available optional electronic controls and gauges found on John Deere provided instrument panels. Refer to manufacturer’s literature for information on controls not provided by Deere.

Instrument Panels (Continued)

A—Diagnostic Gauge/Hour Meter

The diagnostic gauge (A) displays diagnostic trouble codes (DTCs) as they are accessed. Other information on the engine can be accessed using the touch keys (N, O and P). The hour meter feature shows the operating hours of the engine and should be used as a guide for scheduling periodic maintenance. If the diagnostic gauge receives a trouble code from an engine control unit, the current display will switch to a warning or shutdown (depending on the severity of the code) screen that will display the trouble code number, the description of the code and the corrective action needed.

B—Tachometer

The tachometer (B) indicates engine speed in hundreds of revolutions per minute (rpm).

C—Voltmeter (Optional)

Continued on next page

JR74534,00002C7 -19-05APR16-1/3

The voltmeter (C) indicates system battery voltage. The amber “Warning” light (Q) will illuminate when battery voltage is too low for proper operation of the fuel injection system.

D—Audible Alarm (Optional)

The audible alarm (D) will sound whenever low oil pressure, high coolant temperature, or water-in-fuel conditions exist. This includes all signals that light up the amber “warning” indicator (intermittent alarm) or the red “stop engine” indicator (steady alarm).

E—Audible Alarm Override Button

The optional audible alarm has an override button (E) that silences the audible alarm for approximately two minutes when pressed.

F—Key Start Switch

The three-position key start switch (F) controls the engine electrical system. When the key switch is turned clockwise to “START”, the engine will crank. When the engine starts, the key is released and returns to the “ON” (RUN) position.

G—Override Shutdown Rocker Switch

Switch will be present, but may not be active, depending on engine control unit (ECU) options originally selected. If switch is active, pressing the upper half of the override shutdown switch (G) will override an engine shutdown signal. The switch must be pressed within 30 seconds to prevent undesired shutdown of engine. Pressing this switch will override the engine shutdown for 30 seconds at a time to move vehicle to a safe location.

H—Bump Speed Enable Rocker Switch

This is a three-position switch (H) with the center position as “OFF” (locked). With this switch in the “OFF” position, the speed select switch (I) is also locked, to prevent accidental changes in operating speed. Pressing upper or lower half of switch (H) will unlock or enable the bump speed switch to take effect using speed select switch (I).

I—Speed Select Rocker Switch

The speed select switch (I) is used to bump engine speed up (+) or down (-) in small increments during operation. This switch must be used with the bump speed enable switch (H) in the unlocked position (top or bottom half of button depressed).

J—High-Low Speed Select Rocker Switch

The high-low speed select switch (J) is used to set the engine operating speeds at slow (turtle) or fast (rabbit). Factory preset idle speeds can also be adjusted using bump speed enable switch (H) with speed select switch (I).

The basic instrument panel will have the high-low speed select switch only. Press and hold up (+) or down (-) to adjust engine speed as desired. The engine speed selected will not be held in the memory. To adjust engine speeds, See Changing Engine Speeds in Section 20.

How To Select Preset Operating Speeds (Bump Speeds)

First select Turtle (Slow) or Adj by pressing speed select switch (J) to “Turtle” (slow) or “Adj”(center). Then you can press either the upper or lower portion of the bump speed enable switch (H) to unlock the setting. The bump speed enable must be held down as the speed select switch (J) is used to change the setting by pressing (+) to increase speed or (-) to decrease speed.

Once the slow idle speed has been set, the bump speed enable **switch must be pressed and released three times within two seconds to commit the new operating speed to memory.** If not done, the engine's new speed will only be effective until the key switch is shut off. Then the speed will revert back to the previous setting.

The fast idle speed is not adjustable. It will always go back to the factory preset fast idle speed.

K—Analog Throttle Control (Optional)

The throttle control (K) is used to control engine speed. This control is available only on engines with analog throttle.

L—Engine Oil Pressure Gauge

The oil pressure gauge (L) indicates engine oil pressure. An audible alarm (D) warns the operator if engine oil pressure falls below a safe operating pressure.

M—Engine Coolant Temperature Gauge

The engine coolant temperature gauge (M) indicates engine coolant temperature. An audible alarm (D) warns the operator if coolant temperature rises above the preset safe operating temperature.

N—Menu Key

The menu key is pressed to either enter or exit the menu screens on the diagnostic gauge.

O—Arrow Keys

Use the arrow keys (O) to change the display on the window of the diagnostic gauge and to access engine performance data.

Pressing the left arrow to scroll to the left or upward or the right arrow to scroll to the right or downward. This will allow you to view various engine parameters and any diagnostic trouble codes that occur.

Refer to the following story for accessing engine information on the diagnostic gauge using the touch keys.

P—Enter Key

The enter key is pressed to select the parameter that is highlighted on the screen.

Q—Amber “WARNING” Indicator Light

When light comes on, an abnormal condition exists. It is not necessary to shut down the engine immediately, but the problem should be corrected as soon as possible.

When light comes on, stop engine immediately or as soon as safely possible to prevent engine damage. Correct problem before restarting.

R—Red “STOP ENGINE” Indicator Light

PowerTech is a trademark of Deere & Company

JR74534,00002C7 -19-05APR16-3/3

PV101 Diagnostic Gauge — Using

The diagnostic gauge (A) allows the operator to monitor engine functions, view diagnostic trouble codes (DTC's), and perform preliminary diagnostics. The gauge is linked to the electronic control system and sensors.

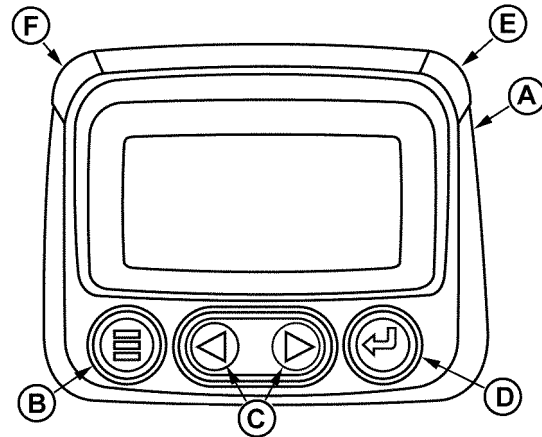
The menu key (B) allows the operator to access the main menu of the diagnostic gauge. For more information see PV101 Diagnostic Gauge — Main Menu. This key also allows the operator to cancel an option and go back to the previous menu or home menu.

The arrow keys (C) allows the operator to scroll between menu items. The arrow keys automatically change from up and down, to left and right depending on the menu item to be selected.

The select key (D) allows the operator to access menu items selected by the arrow keys (C) and confirm changes made by the operator.

The red “STOP ENGINE” indicator light (E) allows the operator to visually see when a condition exists which requires immediate operator action and service.

The amber “WARNING” indicator light (F) allows the operator to visually see when a condition exists which requires operator action.



Diagnostic Gauge

A—Diagnostic Gauge
B—Menu Key
C—Arrow Keys

D—Select Key
E—Red “STOP ENGINE”
Indicator Light
F—Amber “WARNING”
Indicator Light

RG13132 —UN—09SEP03

BL90236,000002A -19-23MAR16-1/1

PV101 Diagnostic Gauge — Main Menu

NOTE: The engine does not need to be running to navigate the diagnostic gauge screens.

The main menu is the starting point in accessing engine information and configuring the diagnostic gauge. Press the menu key (B) to access the main menu.

Use the arrow keys (C) and select key (D) to view menu items displayed:

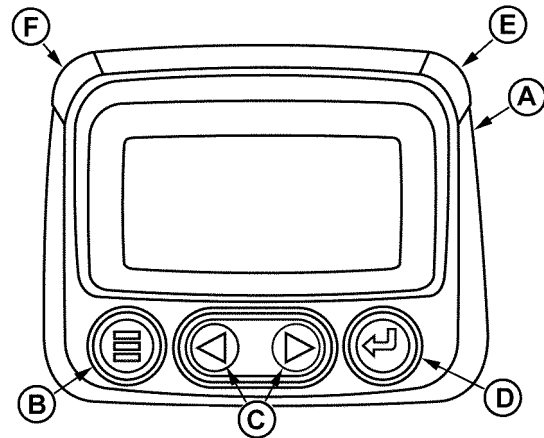
- Go to 4-up display
- Exhaust filter
- Engine speed control
- Languages
- Stored codes
- Engine configuration
- Setup 1-up display
- Setup 4-up display
- Select units
- Adjust backlight
- Adjust contrast
- Utilities

Listed are examples of features available in main menu items.

In Utilities:

- Gauge data
- Remove all gauges
- Software version
- Modbus setup
- Fault conversion

- Select engine ECU
- Clear machine hours
- Performance data
- Interactive tests
- Reset trip
- Set function instance
- ECU software update



Diagnostic Gauge

A—Diagnostic Gauge
B—Menu Key
C—Arrow Keys

D—Select Key
E—Red “STOP ENGINE”
Indicator Light
F—Amber “WARNING”
Indicator Light

RG13132 —UN—09SEP03

JR74534,00002C8 -19-02JUN16-1/1

PV101 Diagnostic Gauge — Essential Menus

Automatic Exhaust Filter Cleaning

To enable auto exhaust filter cleaning mode:

1. Press menu key on diagnostic gauge
2. Press arrow keys to scroll up or down to EXHAUST FILTER
3. Press select key
4. Press arrow keys to scroll up or down to AUTO EXH FLT CLEAN
5. Press select key to enable auto exhaust filter cleaning

Manual/Parked Exhaust Filter Cleaning

To request a manual/parked exhaust filter cleaning:

1. Reduce engine speed to slow idle
2. Press menu key
3. Press arrow keys to scroll up or down to EXHAUST FILTER
4. Press select key
5. Press arrow keys to scroll up or down to REQUEST EXH FLT CLEAN
6. Press select key to request a manual/parked exhaust filter cleaning
7. Follow directions on display and ensure all conditions are met
8. Press select key to CONFIRM all conditions are met

Disable Exhaust Filter Cleaning

To disable the auto exhaust filter cleaning mode:

1. Press menu key on diagnostic gauge
2. Press arrow keys to scroll up or down to EXHAUST FILTER
3. Press select key
4. Press arrow keys to scroll up or down to DISABLE EXH FLT CLEAN
5. Press select key to disable exhaust filter cleaning

Fault Codes — Active

To view active fault code information:

1. Press menu key on diagnostic gauge
2. Press arrow keys to scroll up or down to FAULTS
3. Press select key
4. Press arrow keys to scroll up or down to ACTIVE FAULTS
5. Press select key
6. Press arrow keys to scroll through available faults

Fault Codes — Stored

To view stored fault code information:

1. Press menu key on diagnostic gauge
2. Press arrow keys to scroll up or down to FAULTS
3. Press select key
4. Press arrow keys to scroll up or down to STORED FAULTS
5. Press select key
6. Press arrow keys to scroll up or down to VIEW
7. Press select key
8. Press arrow keys to scroll through available faults

BL90236,0000025 -19-02JUN16-1/1

DG14 Diagnostic Gauge — Using

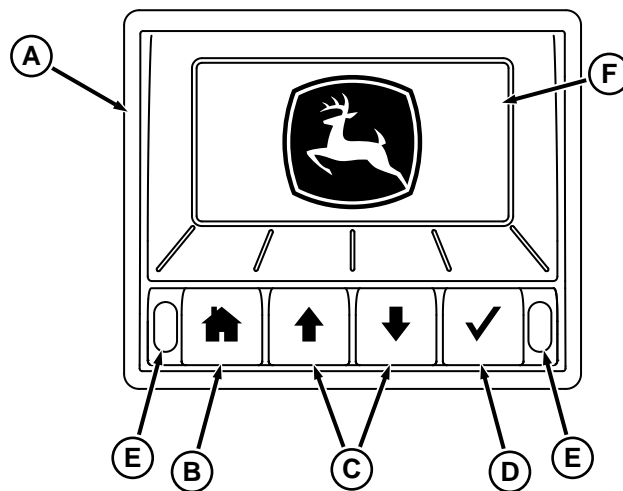
The diagnostic gauge (A) allows the operator to monitor engine functions, view diagnostic trouble codes (DTC's), and perform preliminary diagnostics. The gauge is linked to the electronic control system and sensors.

The (home) menu key (B) allows the operator to access the main menu of the diagnostic gauge. For more information see DG14 Diagnostic Gauge — Main Menu. This key also allows the operator to cancel an option and go back to the previous menu or home menu.

The arrow keys (C) allows the operator to scroll between menu items. The arrow keys automatically change from up and down, to left and right depending on the menu item to be selected.

The (check mark) select key (D) allows the operator to access menu items selected by the arrow keys (C) and confirm changes made by the operator.

The indicator lights (E) allows the operator to visually see the presence of an active trouble code.



Diagnostic Gauge

A—Diagnostic Gauge
B—(Home) Menu Key
C—Arrow Keys

D—(Check Mark) Select Key
E—Indicator Light
F—Display

RG27904—UN—25FEB16

BL90236,0000028 -19-02JUN16-1/1

DG14 Diagnostic Gauge — Main Menu

NOTE: The engine does not need to be running to navigate the diagnostic gauge screens.

The main menu is the starting point in accessing engine information and configuring the diagnostic gauge. Press the menu key (B) to access the main menu.

Use the arrow keys (C) and select key (D) to view menu items displayed:

- Function
- Display
- Utility
- Setup

Listed are examples of features available in main menu items.

In Function:

- View fault code
- Reset trip (FT4 Only)
- Exhaust regeneration (IT4 & FT4 Only)
- Emission system override (if equipped)
- ECU software updates

In Display:

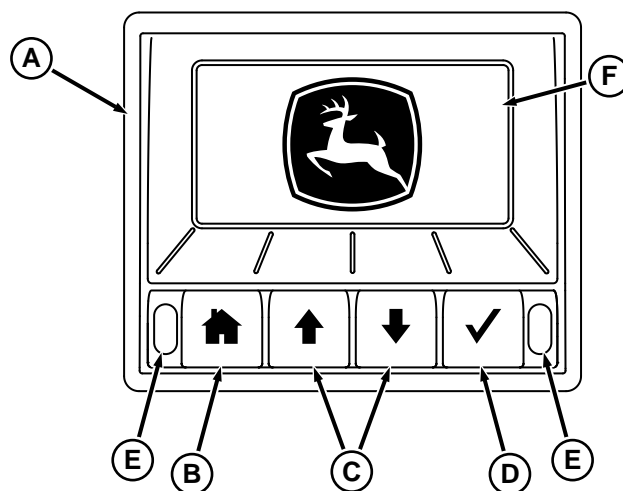
- Adjust backlight
- Adjust indicator brightness
- Display option setup

In Utility:

- Full parameter list
- Software data
- Select units
- Select language

In Setup:

- Select analog input
- Select digital input
- Select digital output



Diagnostic Gauge

A—Diagnostic Gauge
B—(Home) Menu Key
C—Arrow Keys

D—(Check Mark) Select Key
E—Indicator Light
F—Display

- Alarm functionality
- Add J1939 gage
- Set RS485 messaging
- Set engine source address
- Set function instance
- Harness diagnostics
- TSC control (password protected)

Key Code for Password Protected Screens

Numeric values are assigned to keys on diagnostic gauge as identified below:

- 1 — (Home) Menu Key
- 2 — (Up) Arrow Key
- 3 — (Down) Arrow Key
- 4 — (Check Mark) Select Key

RG27904—UN—25FEB16

BL90236,0000029 -19-02JUN16-1/1

DG14 Diagnostic Gauge — Essential Menus

Automatic Exhaust Filter Cleaning

To enable auto exhaust filter cleaning mode:

1. Press (home) menu key on diagnostic gauge
2. Press arrow keys to scroll up or down to FUNCTION
3. Press (check mark) select key
4. Press arrow keys to scroll up or down to EXHAUST REGENERATION
5. Press (check mark) select key
6. Press arrow keys to scroll up or down to AUTOMATIC
7. Press (check Mark) select key to enable auto exhaust filter cleaning

Manual/Parked Exhaust Filter Cleaning

To request a manual/parked exhaust filter cleaning:

1. Reduce engine speed to slow idle
2. Press (home) menu key on diagnostic gauge
3. Press arrow keys to scroll up or down to FUNCTION
4. Press (check mark) select key
5. Press arrow keys to scroll up or down to EXHAUST REGENERATION
6. Press (check mark) select key
7. Press arrow keys to scroll up or down to FORCED
8. Press (check mark) select key to request a manual/parked exhaust filter cleaning
9. Follow directions on display and ensure all conditions are met
10. Press (check mark) select key to CONFIRM all conditions are met

Disable Exhaust Filter Cleaning

To disable the auto exhaust filter cleaning mode:

1. Press (home) menu key on diagnostic gauge
2. Press arrow keys to scroll up or down to FUNCTION
3. Press (check mark) select key
4. Press arrow keys to scroll up or down to EXHAUST REGENERATION
5. Press (check mark) select key
6. Press arrow keys to scroll up or down to INHIBIT
7. Press (check mark) select key to disable exhaust filter cleaning
8. Press (check mark) select key to continue after the warning has been acknowledged

Emission System Override — Activate

To activate an override during a derate:

1. Press (home) menu key on diagnostic gauge
2. Press arrow keys to scroll up or down to FUNCTION
3. Press (check mark) select key
4. Press Arrow keys to scroll up or down to EMERGENCY OVERRIDE
5. Press (check mark) select key
6. Press (check mark) select key to continue after the warning has been acknowledged

7. Press (check mark) select key
8. Using the keypad, input the PASSCODE: 3 – 2 – 1 – 4. The sequence is (down arrow key – up arrow key – (home) menu key – (check mark) select key
9. Press the (check mark) select key to “ACTIVATE” an emergency override

Emission System Override — Pause

To pause an override during a derate:

1. Press (home) menu key on diagnostic gauge
2. Press arrow keys to scroll up or down to FUNCTION
3. Press (check mark) select key
4. Press Arrow keys to scroll up or down to EMERGENCY OVERRIDE
5. Press (check mark) select key
6. Press the up arrow key to PAUSE an emergency override

Emission System Override — Resume

To resume an override during a derate:

1. Press (home) menu key on diagnostic gauge
2. Press arrow keys to scroll up or down to FUNCTION
3. Press (check mark) select key
4. Press Arrow keys to scroll up or down to EMERGENCY OVERRIDE
5. Press (check mark) select key
6. Press the up arrow key to RESUME an emergency override

Fault Codes — Active

To view active fault code information:

1. Press (home) menu key on diagnostic gauge
2. Press arrow keys to scroll up or down to FUNCTION
3. Press (check mark) select key
4. Press Arrow keys to scroll up or down to VIEW FAULT CODES
5. Press (check mark) select key
6. Press arrow keys to scroll up or down to ACTIVATE
7. Press (check mark) select key
8. Press Arrow keys to scroll through available faults

Fault Codes — Stored

To view stored fault code information:

1. Press (home) menu key on diagnostic gauge
2. Press arrow keys to scroll up or down to FUNCTION
3. Press (check mark) select key
4. Press Arrow keys to scroll up or down to VIEW FAULT CODES
5. Press (check mark) select key
6. Press arrow keys to scroll up or down to STORED
7. Press (check mark) select key
8. Press Arrow keys to scroll through available faults

PV480 Instrument Panel

John Deere PowerTech™ OEM engines have an electronic control system, which has controls and gauges as shown. The following information applies only to those controls and gauges supplied by John Deere. Refer to your engine application manual for specific guidelines if John Deere-sourced controls and instrumentation are not used.

The following is a brief description of the available optional electronic controls and gauges found on John Deere provided instrument panels. Refer to manufacturer's literature for information on controls not provided by John Deere.

Instrument Panel

A — Diagnostic Gauge

The diagnostic gauge (A) allows the operator to view fuel level, DEF level, engine parameters, diagnostic trouble codes (DTCs), and other engine functions. The gauge is linked to the electronic control system and its sensors. This allows the operator to monitor engine functions and to troubleshoot the engine systems when needed.

B — Arrow Keys

The arrow keys (B) allows the operator to select menu items

C — Menu Key

The menu key (C) allow the operator to access the main menu of the diagnostic gauge.

D — Select Key

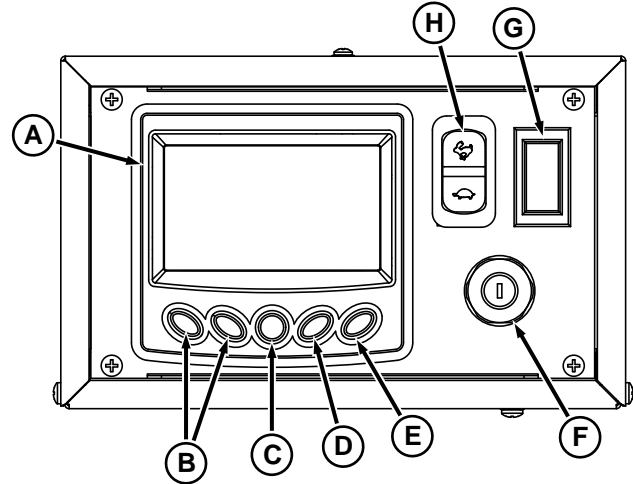
The select key (D) allows the operator to access menu items selected by the arrow keys (B) and confirm changes made by the operator.

E — Exit Key

The exit key (E) allows the operator to cancel an option and to go back to the previous menu.

F — Key Start Switch

PowerTech is a trademark of Deere & Company



Instrument Panel

A—Diagnostic Gauge
B—Arrow Keys
C—Menu Key
D—Select Key

E—Exit Key
F—Key Switch
G—Cover
H—Speed Select Rocker Switch

The three-position key start switch (F) controls the engine electrical system. When the key switch is turned clockwise to "START", the engine will crank. When the engine starts, the key is released and returns to the "ON" (RUN) position.

G — Cover

The cover (G) hides an expansion slot for an additional switch.

H — Speed Select Rocker Switch

The speed select switch (H) is used to bump engine speed up (+) or down (-) in small increments during operation.

RG23644—UN—27AUG13

BL90236,0000003 -19-25APR16-1/1

PV480 Diagnostic Gauge — Using

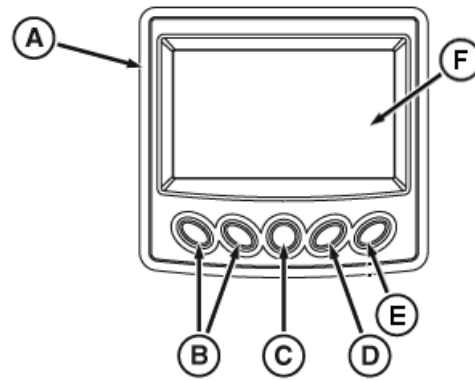
The diagnostic gauge (A) allows the operator to monitor engine functions, view diagnostic trouble codes (DTC's), and perform preliminary diagnostics. The gauge is linked to the electronic control system and sensors.

The arrow keys (B) allows the operator to scroll between menu items. The arrow keys automatically change from up and down, to left and right depending on the menu item to be selected.

The menu key (C) allows the operator to access the main menu of the diagnostic gauge. For more information see [PV480 Diagnostic Gauge — Main Menu](#).

The select key (D) allows the operator to access menu items selected by the arrow keys (B) and confirm changes made by the operator.

The exit key (E) allows the operator to cancel an option and to go back to the previous menu.



Diagnostic Gauge

A—Diagnostic Gauge
B—Arrow Keys
C—Menu Key

D—Select Key
E—Exit Key
F—Display

RG23474—UN—06JUN13

BL90236,000006 -19-27MAY16-1/1

PV480 Diagnostic Gauge — Main Menu

NOTE: The engine does not need to be running to navigate the diagnostic gauge screens.

The main menu is the starting point in accessing engine information and configuring the diagnostic gauge. Press the menu key (C) to access the main menu.

Use the arrow keys (B) and select key (D) to view menu items displayed:

- User Settings
- Faults
- Exhaust Filter
- Start Options
- Service
- Utilities

Listed are examples of features available in main menu items.

In User Settings:

- Date
- Time
- Language
- Units
- Brightness
- Ambient Light

In Check Faults:

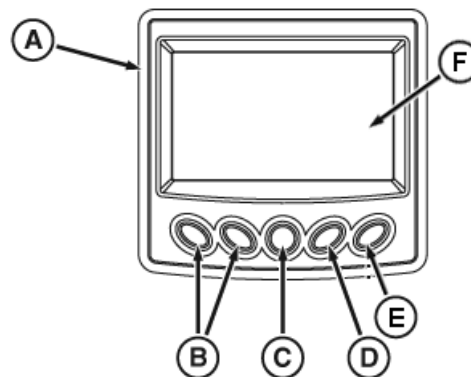
- Active fault codes
- Stored fault codes

In Exhaust Filter:

- Status
- Auto exhaust filter clean
- Disable exhaust filter clean
- Request exhaust filter clean

In Start Options:

- Auto features



Diagnostic Gauge

A—Diagnostic Gauge
B—Arrow Keys
C—Menu Key

D—Select Key
E—Exit Key
F—Display

- Manual features
- Clock start
- Temperature start

In Service:

- Data list screens
- Engine hours
- Data logger
- Service reminders
- Harness diagnostics
- Component identification
- Emission system override (if equipped)

In Utilities:

- System settings
- Pressure governing
- ECU software update
- Advanced settings (password protected)

PV480 Diagnostic Gauge — Essential Menus

Automatic Exhaust Filter Cleaning

To enable auto exhaust filter cleaning mode:

1. Press Menu key on diagnostic gauge
2. Press Arrow keys to scroll up or down to EXHAUST FILTER
3. Press Select key
4. Press Arrow keys to scroll up or down to AUTO EXH FLT CLEAN
5. Press Select key to enable auto exhaust filter cleaning

Manual/Parked Exhaust Filter Cleaning

To request a manual/parked exhaust filter cleaning:

1. Reduce engine speed to slow idle
2. Press Menu key
3. Press Arrow keys to scroll up or down to EXHAUST FILTER
4. Press Select key
5. Press Arrow keys to scroll up or down to REQUEST EXH FLT CLEAN
6. Press Select key to request a manual/parked exhaust filter cleaning
7. Follow directions on display and ensure all conditions are met
8. Press Select key to CONFIRM all conditions are met

Disable Exhaust Filter Cleaning

To disable the auto exhaust filter cleaning mode:

1. Press Menu key on diagnostic gauge
2. Press Arrow keys to scroll up or down to EXHAUST FILTER
3. Press Select key
4. Press Arrow keys to scroll up or down to DISABLE EXH FLT CLEAN
5. Press Select key to disable exhaust filter cleaning

Emission System Override — Activate

To activate an override during a derate:

1. Press Menu key on diagnostic gauge
2. Press Arrow keys to scroll up or down to SERVICE
3. Press Select key
4. Press Arrow keys to scroll up or down to DATA LIST
5. Press and hold the Menu key for 5 seconds
6. Press Select key
7. Press Arrow keys to scroll up or down to STATUS
8. Press Select key on the STATUS option
9. Press Arrow keys to ACTIVATE an emergency override
10. Press the Select key to CONFIRM selection
11. Follow directions on display and ensure all conditions have been acknowledged

Emission System Override — Pause

To pause an override during a derate:

1. Press Menu key on diagnostic gauge
2. Press Arrow keys to scroll up or down to SERVICE
3. Press Select key
4. Press Arrow keys to scroll up or down to DATA LIST
5. Press and hold Menu key for 5 seconds
6. Press Arrow keys to scroll up or down to EMERGENCY OVERRIDE
7. Press Select key
8. Press Select key on STATUS option
9. Press Arrow keys to PAUSE emergency override
10. Follow directions on display and ensure all conditions have been acknowledged

Emission System Override — Resume

To resume an override during a derate:

1. Press Menu key on diagnostic gauge
2. Press Arrow keys to scroll up or down to SERVICE
3. Press Select key
4. Press Arrow keys to scroll up or down to DATA LIST
5. Press and hold Menu key for 5 seconds
6. Press Arrow keys to scroll up or down to EMERGENCY OVERRIDE
7. Press Select key
8. Press Select key on STATUS option
9. Press Arrow keys to RESUME emergency override
10. Follow directions on display and ensure all conditions have been acknowledged

Fault Codes — Active

To view active fault code information:

1. Press Menu key on diagnostic gauge
2. Press Arrow keys to scroll up or down to FAULTS
3. Press Select key
4. Press Arrow keys to scroll up or down to ACTIVE FAULTS
5. Press Select key
6. Press Arrow keys to scroll through available faults

Fault Codes — Stored

To view stored fault code information:

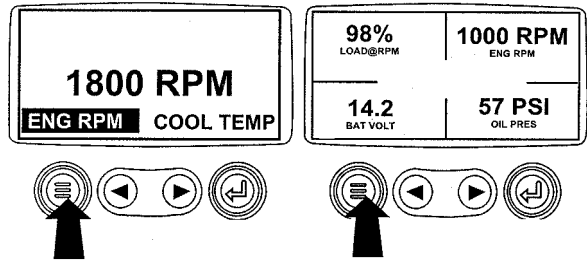
1. Press Menu key on diagnostic gauge
2. Press Arrow keys to scroll up or down to FAULTS
3. Press Select key
4. Press Arrow keys to scroll up or down to STORED FAULTS
5. Press Select key
6. Press Arrow keys to scroll up or down to VIEW
7. Press Select key
8. Press Arrow keys to scroll through available faults

BL90236,0000024 -19-02JUN16-1/1

Main Menu Navigation

NOTE: The engine does not need to be running to navigate the diagnostic gauge screens. If engine start up is desired, See Starting the Engine in the Engine Operation Section. All of the engine values illustrated on the diagnostic gauge indicate the engine is running.

1. Turn the key switch to the ON position. Starting at the single or four engine parameter display, press the "Menu" key.

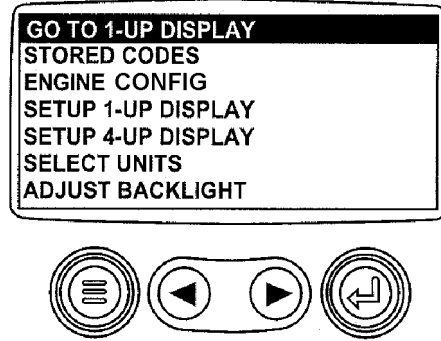


Menu Key

OURGP11,00000A9 -19-20SEP13-1/5

RG13159—UN—26SEP03

2. The first seven items of the "Main Menu" will be displayed.

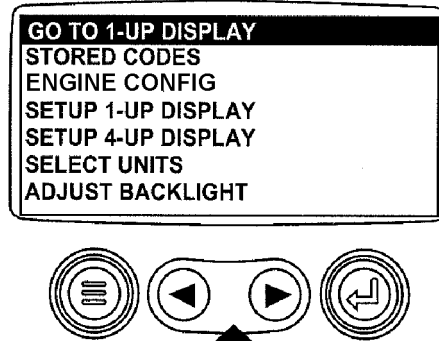


Menu Display

OURGP11,00000A9 -19-20SEP13-2/5

RG13160—UN—02OCT03

3. Pressing the "Arrow" keys will scroll through the menu selections.



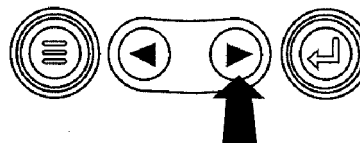
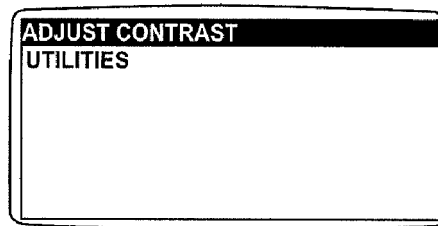
Main Menu Items

Continued on next page

OURGP11,00000A9 -19-20SEP13-3/5

RG13161—UN—02OCT03

- Pressing the right arrow key will scroll down to reveal the last items of "Main Menu" screen, highlighting the next item down.

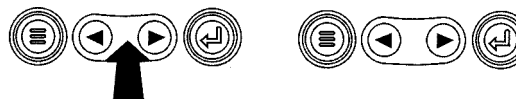
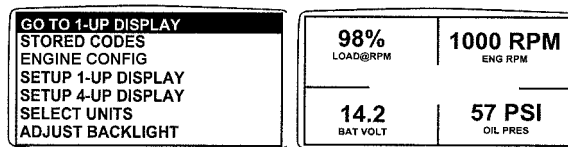


Last Items On Main Menu

OURGP11,00000A9 -19-20SEP13-4/5

RG13162—UN—26SEP03

- Use the arrow keys to scroll to the desired menu item or press the "Menu Button" to exit the main menu and return to the engine parameter display.



Use Arrow Buttons To Scroll / Quadrant Display

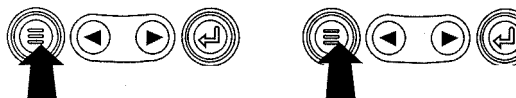
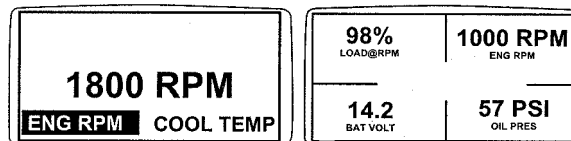
OURGP11,00000A9 -19-20SEP13-5/5

RG13163—UN—02OCT03

Engine Configuration Data

NOTE: The engine configuration data is a read only function.

NOTE: The engine does not need to be running to navigate the diagnostic gauge screens. If engine start up is desired, see [Starting the Engine](#) in the Engine Operation Section. All of the engine values illustrated on the diagnostic gauge indicate the engine is running.



Menu Key

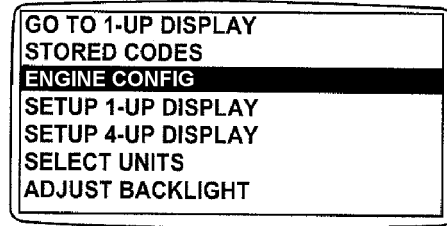
- Turn the key switch to the ON position. Starting at the single or four engine parameter display, press the "Menu" key.

Continued on next page

OURGP11,00000AB -19-08NOV13-1/6

RG13159—UN—26SEP03

2. The main menu will be displayed. Use the "Arrow" keys to scroll through the menu until "Engine Config" is highlighted.

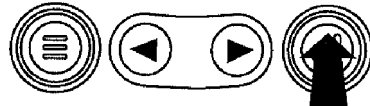
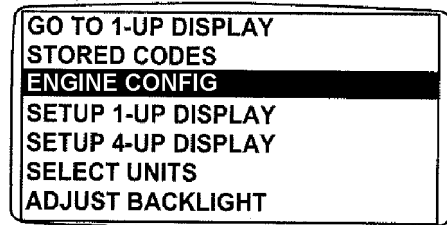


Select Engine Configuration

OURGP11,00000AB -19-08NOV13-2/6

RG13164—UN—07OCT03

3. Once "Engine Config" menu item has been highlighted, press the "Enter" key to view the engine configuration data.

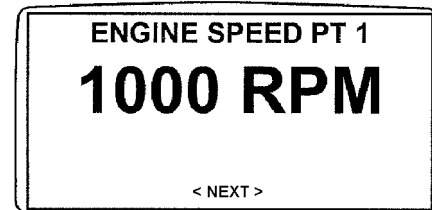


Enter Key

OURGP11,00000AB -19-08NOV13-3/6

RG13165—UN—02OCT03

4. Use the "Arrow" keys to scroll through the engine configuration data.



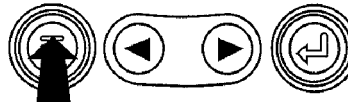
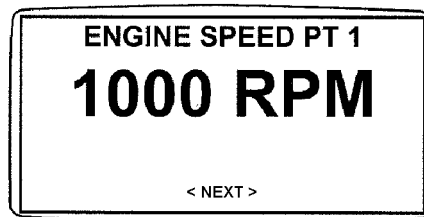
Use Arrow Keys To Scroll

Continued on next page

OURGP11,00000AB -19-08NOV13-4/6

RG13166—UN—29SEP03

5. Press the "Menu" key to return to the main menu.

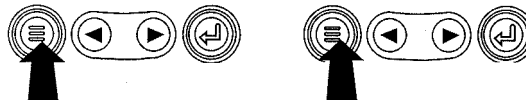
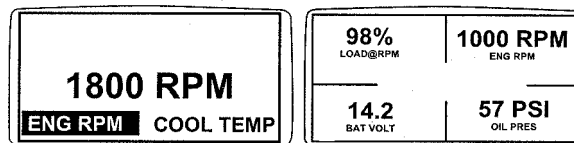


Return To Main Menu

OURGP11,00000AB -19-08NOV13-5/6

RG13167 —UN—29SEP03

6. Press the "Menu" key to exit the main menu and return to the engine parameter display.



Exit Main Menu

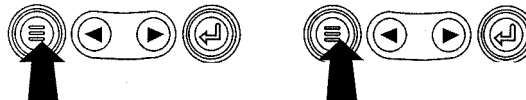
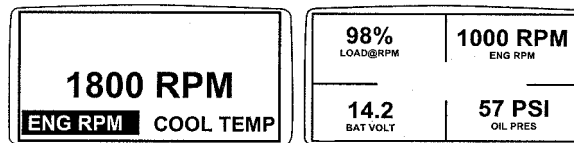
OURGP11,00000AB -19-08NOV13-6/6

RG13159 —UN—26SEP03

Accessing Stored Diagnostic Trouble Codes

NOTE: The engine does not need to be running to navigate the diagnostic gauge screens. If engine start up is desired, see [Starting The Engine](#) in the Engine Operation Section. All of the engine values illustrated on the diagnostic gauge indicate the engine is running.

For description of diagnostic trouble codes, see [Diagnostic Trouble Codes \(DTCs\) — Listing](#) in the Troubleshooting Section.



Menu Key

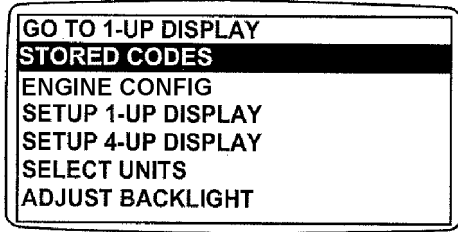
1. Turn the key switch to the ON position. Starting at the single or four engine parameter display, press the "Menu" key.

Continued on next page

ZE59858,0000235 -19-13NOV13-1/6

RG13159 —UN—26SEP03

- The main menu will be displayed. Use the "Arrow" keys to scroll through the menu until "Stored Codes" is highlighted.

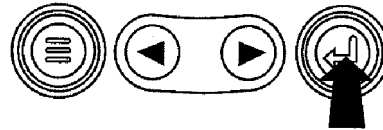
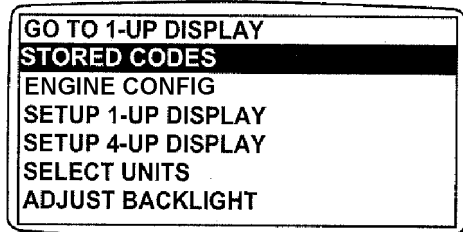


Select Stored Codes

ZE59858,0000235 -19-13NOV13-2/6

RG13168—UN—02OCT03

- Once the "Stored Codes" menu item has been highlighted press the "Enter" key to view the stored codes.

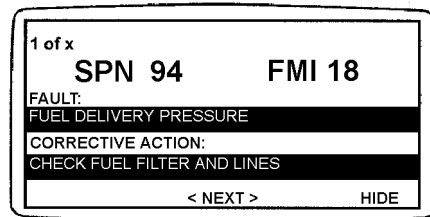


Enter Key

ZE59858,0000235 -19-13NOV13-3/6

RG13169—UN—02OCT03

- If the word "Next" appears above the "Arrow" keys, there are more stored codes that may be viewed. Use the "Arrow" key to scroll to the next stored code.



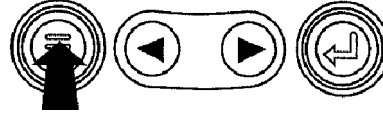
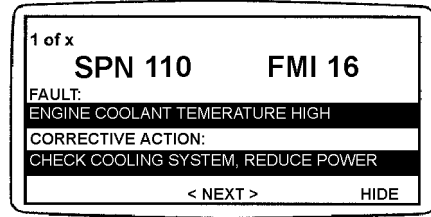
Use Arrow Keys To Scroll

Continued on next page

ZE59858,0000235 -19-13NOV13-4/6

RG13245—UN—02OCT03

5. Press the "Menu" key to return to the main menu.

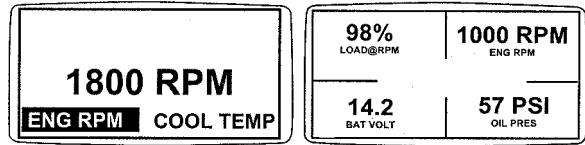


Return To Main Menu

ZE59858,0000235 -19-13NOV13-5/6

RG13246 —UN—02OCT03

6. Press the "Menu" key to exit the main menu and return to the engine parameter display.



Exit Main Menu

ZE59858,0000235 -19-13NOV13-6/6

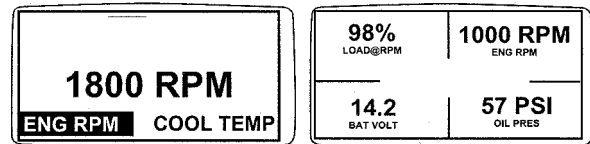
RG13159 —UN—26SEP03

Accessing Active Diagnostic Trouble Codes

NOTE: The engine does not need to be running to navigate the diagnostic gauge screens. If engine start up is desired, see [Starting the Engine](#) in the Engine Operation Section. All of the engine values illustrated on the diagnostic gauge indicate the engine is running.

For description of diagnostic trouble codes, see [Diagnostic Trouble Codes \(DTCs\) — Listing](#) in the Troubleshooting Section.

1. During normal operation the single or four parameter screen will be displayed.



Normal Operation

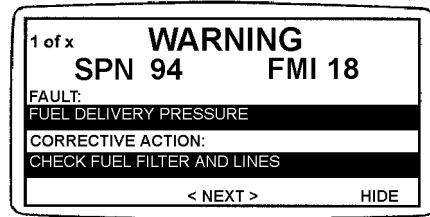
Continued on next page

ZE59858,0000236 -19-13NOV13-1/7

RG13172 —UN—26SEP03

- When the diagnostic gauge receives a diagnostic trouble code from an engine control unit, the single or four parameter screen will be replaced with the "Warning" message. The SPN and FMI number will be displayed along with a description of the problem and the corrective action needed.

IMPORTANT: Ignoring active diagnostic trouble codes can result in severe engine damage.

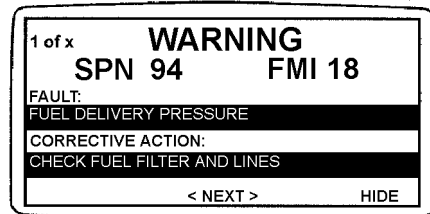


Active Diagnostic Trouble Codes Displayed

ZE59858,0000236 -19-13NOV13-2/7

RG13240 —UN—30SEP03

- If the word "Next" appears above the arrow keys, there are more diagnostic trouble codes that can be viewed by using the arrow keys to scroll to the next diagnostic trouble code.



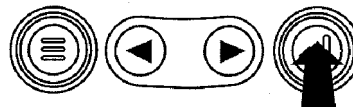
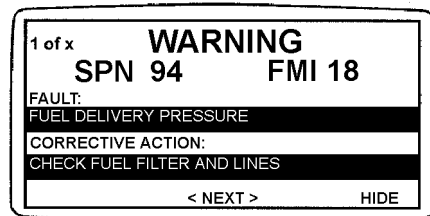
Use Arrow Keys To Scroll

ZE59858,0000236 -19-13NOV13-3/7

RG13241 —UN—30SEP03

IMPORTANT: Ignoring active diagnostic trouble codes can result in severe engine damage.

- To acknowledge and hide the code and return to the single or four parameter display, press the "Enter" Key.

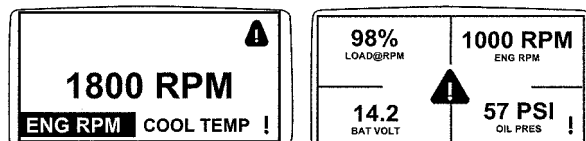


Hide Diagnostic Trouble Codes

ZE59858,0000236 -19-13NOV13-4/7

RG13242 —UN—30SEP03

- The display will return to the single or four parameter display, but the display will contain the warning icon. Pressing the "Enter" key will redisplay the hidden diagnostic trouble code.



Active Diagnostic Trouble Code Icon

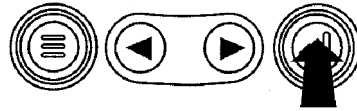
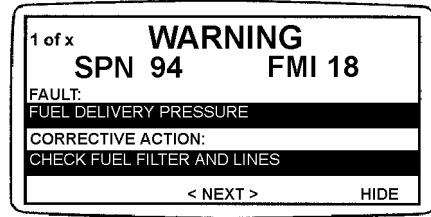
Continued on next page

ZE59858,0000236 -19-13NOV13-5/7

RG13176 —UN—26SEP03

IMPORTANT: Ignoring active diagnostic trouble codes can result in severe engine damage.

- Pressing the "Enter" key once again will hide the diagnostic trouble code and return the screen to the single or four parameter display.

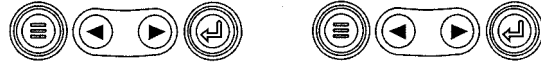
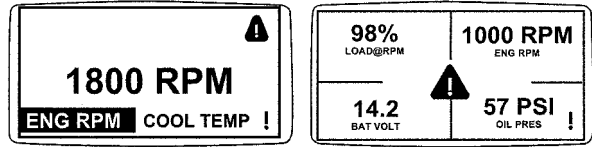


Enter Key

ZE59858,0000236 -19-13NOV13-6/7

RG13242 —UN—30SEP03

- The single or four parameter screen will display the warning icon until the diagnostic trouble code condition is corrected.



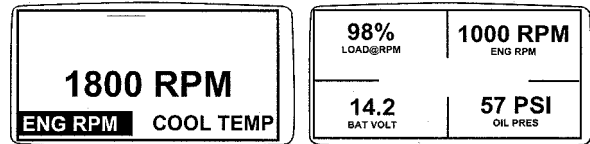
Active Diagnostic Trouble Code Condition

ZE59858,0000236 -19-13NOV13-7/7

RG13243 —UN—01OCT03

Engine Shutdown Diagnostic Trouble Codes

- During normal operation the single or four parameter screen will be displayed.



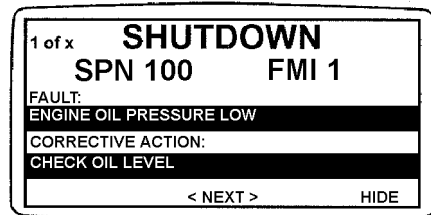
Normal Operation

OURGP11,00000AE -19-29OCT13-1/6

RG13172 —UN—26SEP03

- When the diagnostic gauge receives a severe diagnostic trouble code from an engine control unit, the single or four parameter screen will be replaced with the "Shutdown" message. The SPN and FMI number will be displayed along with a description of the problem and the corrective action needed.

If the word "Next" appears above the arrow keys, there are more diagnostic trouble codes that can be viewed by using the arrow keys to scroll to the next diagnostic trouble code.



Shutdown Message

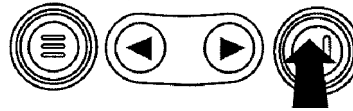
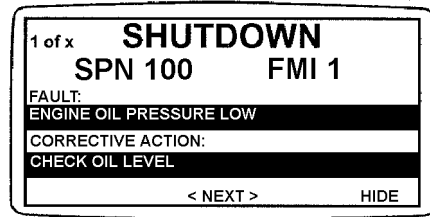
Continued on next page

OURGP11,00000AE -19-29OCT13-2/6

RG13238 —UN—29SEP03

- To acknowledge and hide the diagnostic trouble code and return to the single or four parameter display, press the "Enter" key".

IMPORTANT: Ignoring the shutdown message can result in severe engine damage.



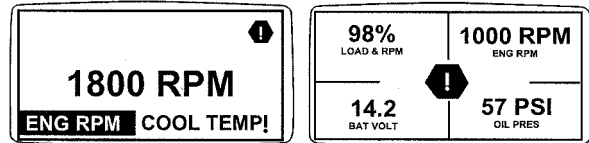
Hide Diagnostic Trouble Code

OURGP11,00000AE -19-29OCT13-3/6

RG13239 —UN—29SEP03

- The display will return to the single or four parameter display, but the display will contain the "Shutdown" icon. Pressing the "Enter" key will redisplay the hidden diagnostic trouble code.

IMPORTANT: Ignoring the shutdown message can result in severe engine damage.

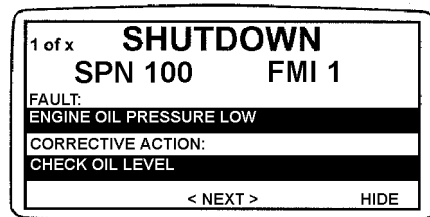


Flashing Shutdown Icon

OURGP11,00000AE -19-29OCT13-4/6

RG13179 —UN—26SEP03

- Pressing the "Enter" key once again will hide the diagnostic trouble code and return the screen to the single or four parameter display.



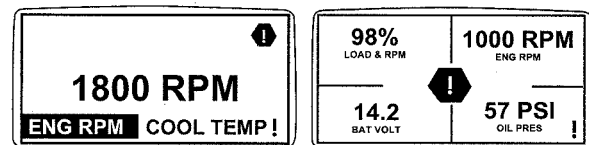
Redisplay Diagnostic Trouble Code

OURGP11,00000AE -19-29OCT13-5/6

RG13239 —UN—29SEP03

- The single or four parameter screen will display the shutdown icon until the diagnostic trouble code condition is corrected.

IMPORTANT: Ignoring the shutdown message can result in severe engine damage.



Shutdown Icon

OURGP11,00000AE -19-29OCT13-6/6

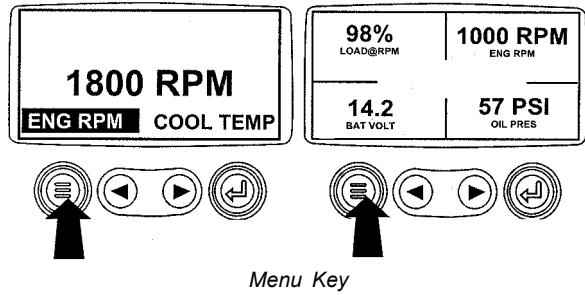
RG13180 —UN—26SEP03

Adjusting Backlighting

NOTE: The backlight control on the instrument panel may also be used to adjust backlighting. This control will override any adjustment made on the diagnostic gauge.

NOTE: The engine does not need to be running to navigate the diagnostic gauge screens. If engine start up is desired, see [Starting the Engine](#) in the Engine Operation Section. All of the engine values illustrated on the diagnostic gauge indicate the engine is running.

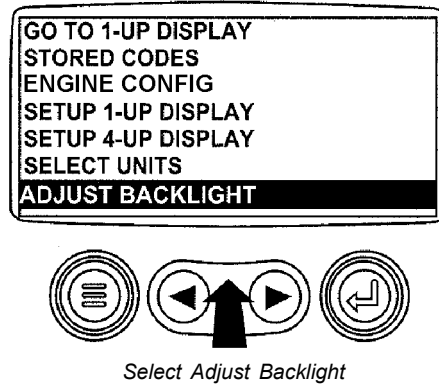
1. Turn the key switch to the ON position. Starting at the single or four engine parameter display, press the "Menu" key.



RG13159—UN—26SEP03

ZE59858,0000237 -19-20SEP13-1/6

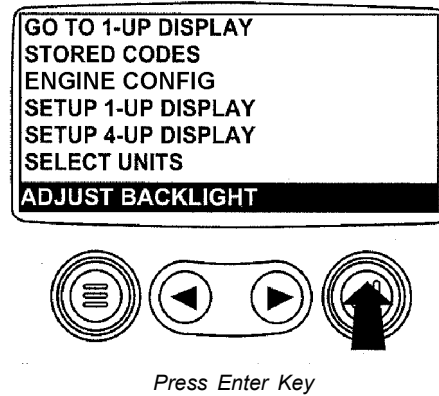
2. The main menu will be displayed. Use the "Arrow" keys to scroll through the menu until "Adjust Backlight" is highlighted.



RG13181—UN—02OCT03

ZE59858,0000237 -19-20SEP13-2/6

3. Once the "Adjust Backlight" menu item has been highlighted, press the "Enter" key to activate the "Adjust Backlight" function.

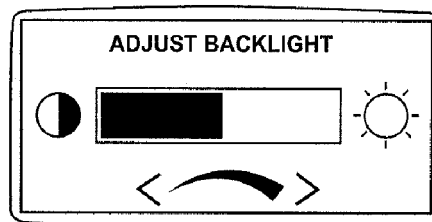


RG13182—UN—02OCT03

Continued on next page

ZE59858,0000237 -19-20SEP13-3/6

- Use the "Arrow" keys to select the desired backlight intensity.

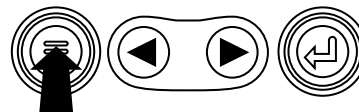
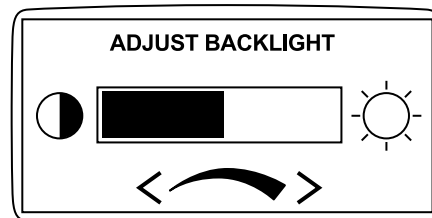


Adjust Backlight Intensity

ZE59858,0000237 -19-20SEP13-4/6

RG13183—UN—29SEP03

- Press the "Menu" key to return to the main menu.

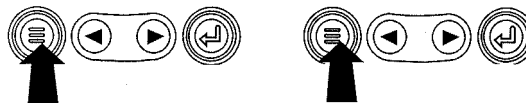
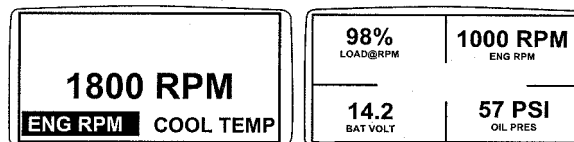


Return To Main Menu

ZE59858,0000237 -19-20SEP13-5/6

RG19048—UN—23AUG10

- Press the "Menu" key to exit the main menu and return to the engine parameter display.



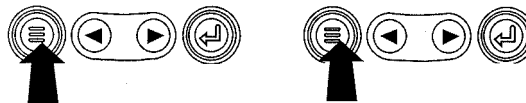
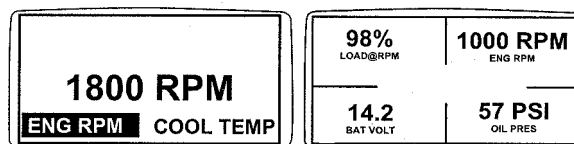
Exit Main Menu

ZE59858,0000237 -19-20SEP13-6/6

RG13159—UN—26SEP03

Adjusting Contrast

- Turn the key switch to the ON position. Starting at the single or four engine parameter display press the "Menu" key.



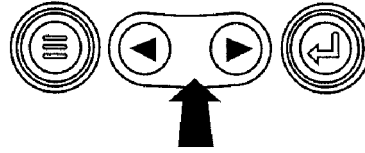
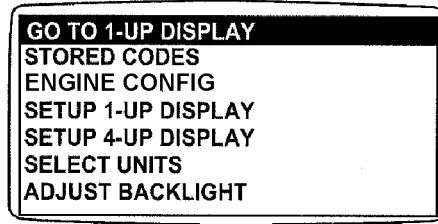
Menu Key

Continued on next page

OURGP11,00000AF -19-13NOV13-1/6

RG13159—UN—26SEP03

2. The main menu will be displayed. Use the "Arrow" keys to scroll through the menu until "Adjust Contrast" is highlighted.

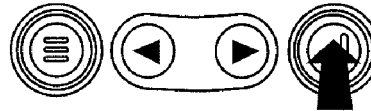
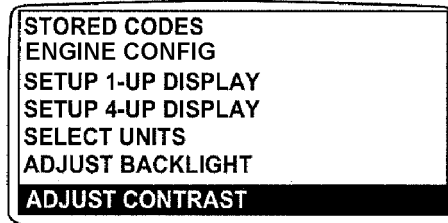


Select Adjust Contrast

OURGP11.00000AF -19-13NOV13-2/6

RG13161—UN—02OCT03

3. Once the "Adjust Contrast" menu item has been highlighted, press the "Enter" key to activate the "Adjust Contrast" function.

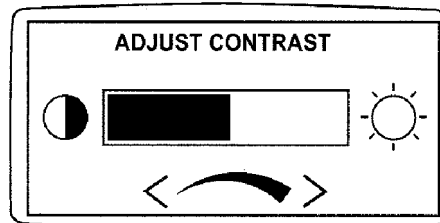


Press Enter Key

OURGP11.00000AF -19-13NOV13-3/6

RG13185—UN—02OCT03

4. Use the "Arrow" keys to select the desired contrast intensity.



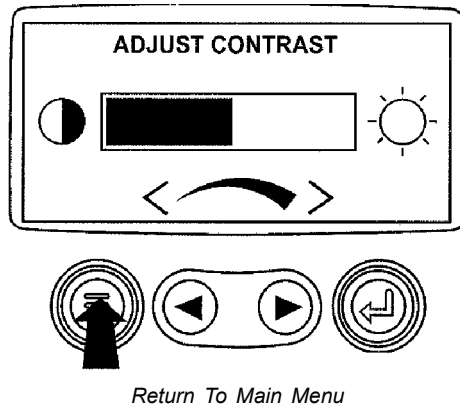
Adjust Contrast Intensity

Continued on next page

OURGP11.00000AF -19-13NOV13-4/6

RG13186—UN—29SEP03

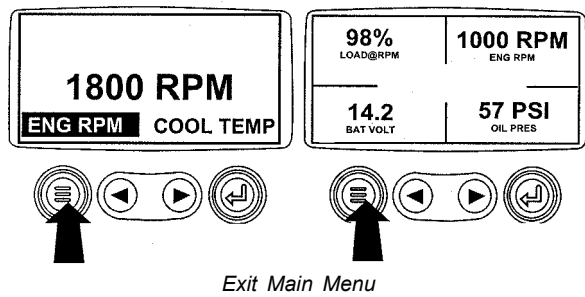
5. Press the "Menu" key to return to the main menu.



OURGP11.00000AF -19-13NOV13-5/6

RG13187—UN—26SEP03

6. Press the "Menu" key to exit the main menu and return to the engine parameter display.

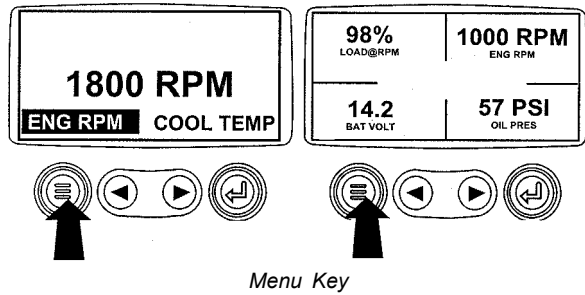


OURGP11.00000AF -19-13NOV13-6/6

RG13159—UN—26SEP03

Selecting Units Of Measurement

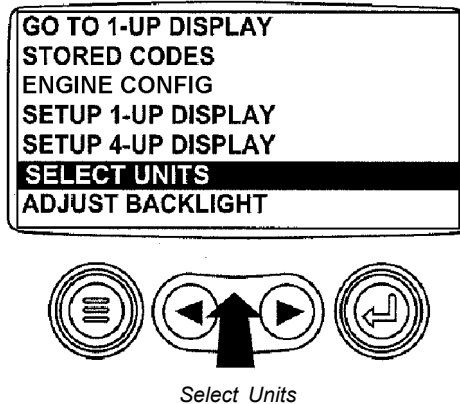
1. Turn the key switch to the ON position. Starting at the single or four engine parameter display, press the "Menu" key.



OURGP11.00000B0 -19-13NOV13-1/7

RG13159—UN—26SEP03

2. The main menu will be displayed. Use the "Arrow" keys to scroll through the menu until "Select Units" is highlighted.

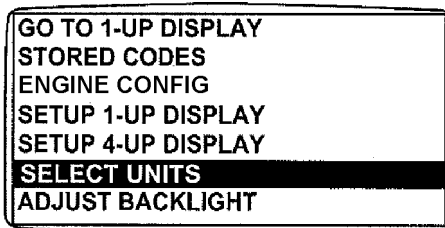


Continued on next page

OURGP11.00000B0 -19-13NOV13-2/7

RG13188—UN—02OCT03

- 3. Once the "Select Units" menu item has been highlighted press the "Enter" key to access the "Select Units" function.



Press Enter Key

OURGP11.00000B0 -19-13NOV13-3/7

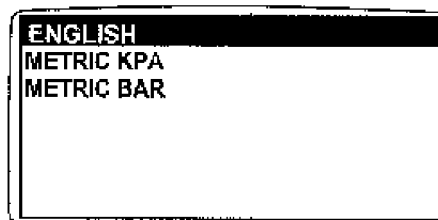
RG13189 —UN—02OCT03

- 4. There are three choices for units of measurement, English, Metric kPa or Metric Bar.

English is for Imperial units, with pressures displayed in PSI and temperatures in °F.

Metric kPa and Metric bar are for IS units, with pressures displayed in kPa and bar respectively, and temperatures in °C.

Use the "Arrow" keys to highlight the desired units of measurement.

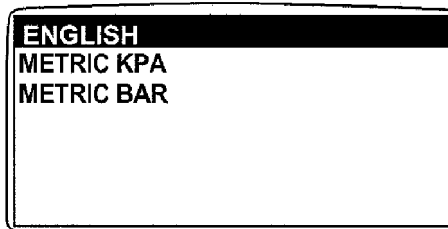


Select Desired Units

OURGP11.00000B0 -19-13NOV13-4/7

RG13190 —UN—26SEP03

- 5. Press the "Enter" key to select the highlighted units.



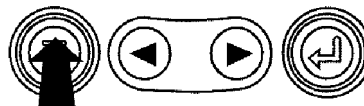
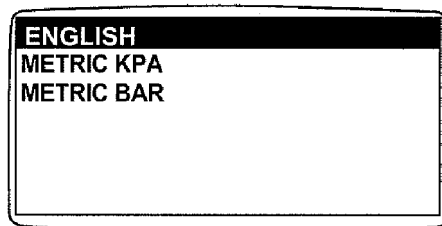
Press Enter Key to Select

Continued on next page

OURGP11.00000B0 -19-13NOV13-5/7

RG13191 —UN—30SEP03

6. Press the "Menu" key to return to the main menu.

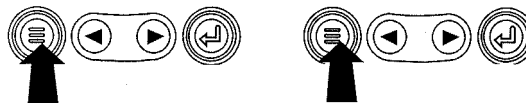
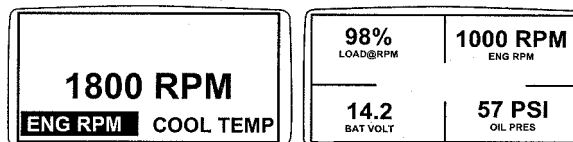


Return To Main Menu

OURGP11,0000B0 -19-13NOV13-6/7

RG13192 —UN—26SEP03

7. Press the "Menu" key to return to the engine parameter display.



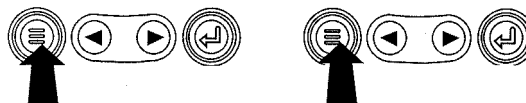
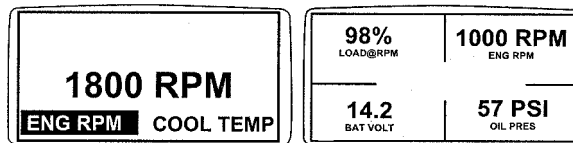
Press Menu Key

OURGP11,0000B0 -19-13NOV13-7/7

RG13159 —UN—26SEP03

Setup 1-Up Display

1. Turn the key switch to the ON position. Starting at the single engine parameter display, press the "Menu" key.

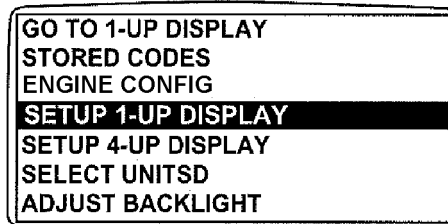


Menu Key

OURGP11,0000B1 -19-13NOV13-1/18

RG13159 —UN—26SEP03

2. Use the "Arrow" keys to scroll through the menu until "Setup 1-Up Display" is highlighted.



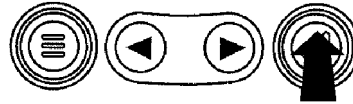
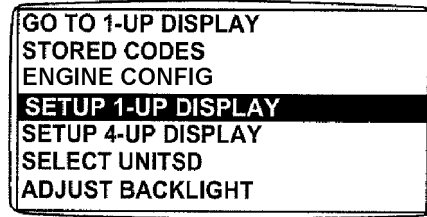
Setup 1-Up Display

Continued on next page

OURGP11,0000B1 -19-13NOV13-2/18

RG13193 —UN—02OCT03

3. Once "Setup 1-Up Display" menu item has been highlighted press the "Enter" key to access the "Setup 1-Up Display" function.



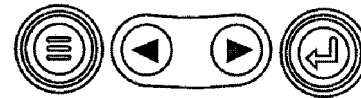
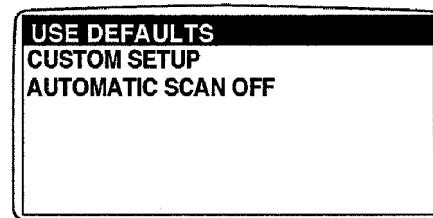
Press Enter Key

OURGP11,00000B1 -19-13NOV13-3/18

RG13194 —UN—02OCT03

4. Three options are available for modification of the 1-Up Display.

- a. **Use Defaults** – This option contains the following engine parameters for display: Engine Hours, Engine Speed, Battery Voltage, % Load, Coolant Temperature and Oil Pressure.
- b. **Custom Setup** – This option contains a list of engine parameters. Engine parameters from this list can be selected to replace any or all of the default parameters. This option can be used to add parameters available for scrolling in the 1-Up Display.
- c. **Automatic Scan** – Selecting the scan function will allow the 1-Up Display to scroll through the selected set of parameters one at a time, momentarily pausing at each.

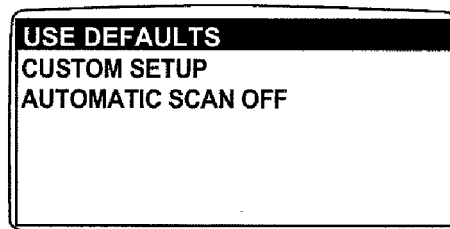


1-Up Display Options

OURGP11,00000B1 -19-13NOV13-4/18

RG13196 —UN—26SEP03

5. **Use Defaults** - To select "Use Defaults" use the Arrow keys to scroll to and highlight "Use Defaults" in the menu display.



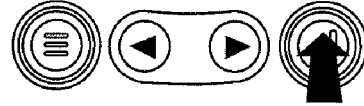
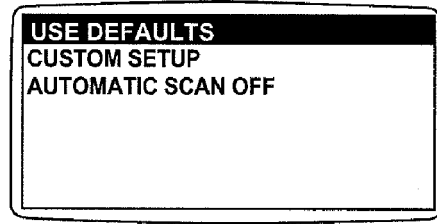
Select Defaults

Continued on next page

OURGP11,00000B1 -19-13NOV13-5/18

RG13195 —UN—26SEP03

6. Press the "Enter" key to activate the "Use Defaults" function.

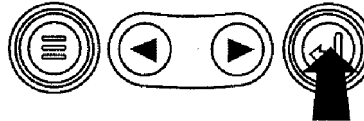
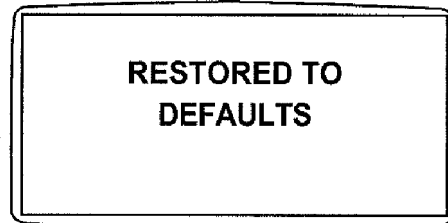


Defaults Selected

OURGP11,00000B1 -19-13NOV13-6/18

RG13197—UN—26SEP03

7. The display parameters are reset to the factory defaults, then the display will return to the "Setup 1-Up Display" menu.

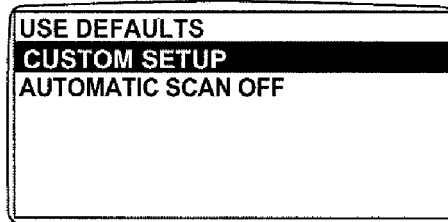


Restored To Defaults

OURGP11,00000B1 -19-13NOV13-7/18

RG13149—UN—24SEP03

8. **Custom Setup** - To perform a custom setup of the 1-Up Display, use the arrow buttons to scroll to and highlight "Custom Setup" on the display.



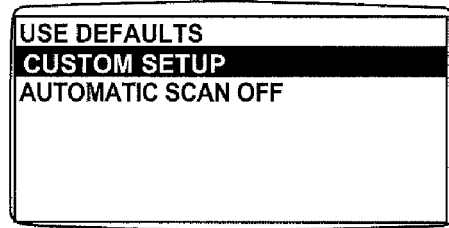
Select Custom Setup

Continued on next page

OURGP11,00000B1 -19-13NOV13-8/18

RG13198—UN—26SEP03

9. Press the "Enter" key to display a list of engine parameters.

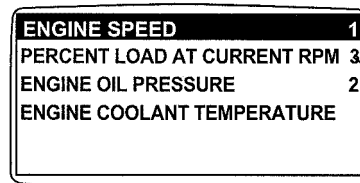


Engine Parameters

OURGP11,00000B1 -19-13NOV13-9/18

RG13199—UN—26SEP03

10. Use the "Arrow" keys to scroll to and highlight a selected parameter (parameter with a number to right of it).



This number indicates the order of display for the parameters and that the parameter is selected for display.

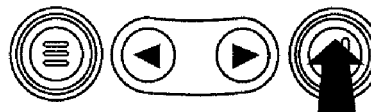
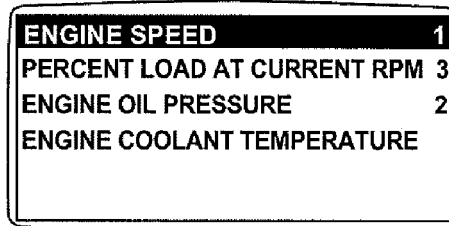


Select Parameters

OURGP11,00000B1 -19-13NOV13-10/18

RG13150—UN—24SEP03

11. Press the "Enter" key to deselect the selected parameter, removing it from the list of parameters being displayed on the 1-Up Display.



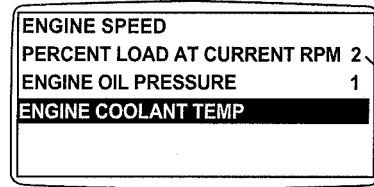
Deselect Parameters

Continued on next page

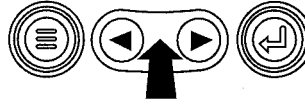
OURGP11,00000B1 -19-13NOV13-11/18

RG13219—UN—26SEP03

12. Use the "Arrow" keys to scroll and highlight the desired parameter that has not been selected for display (parameter without a number to right of it).



Note that the numbers now indicate the new order of display for the parameters.

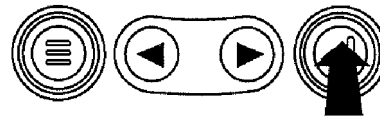
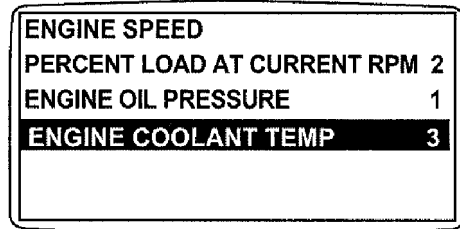


Select Desired Parameters

OURGP11,00000B1 -19-13NOV13-12/18

RG13151 —UN—24SEP03

13. Press the "Enter" key to select the parameter for inclusion in the Single Engine Parameter Display.
14. Continue to scroll through and select additional parameters for the custom 1-Up Display. Press the "Menu" key at any time to return to the "Custom Setup" menu.

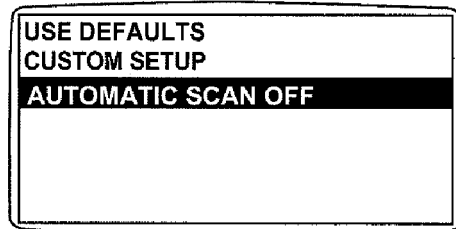


Select Parameters For Display

OURGP11,00000B1 -19-13NOV13-13/18

RG13220 —UN—26SEP03

15. **Automatic Scan** - Selecting the scan function will allow the 1- Up Display to scroll through the selected set of parameters one at a time. Use the "Arrow" keys to scroll to the "Automatic Scan" function.



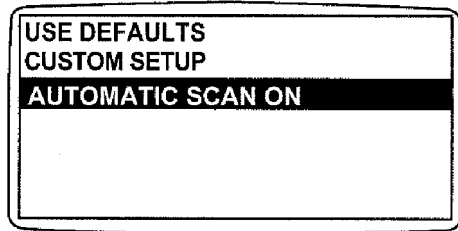
Automatic Scan Off

Continued on next page

OURGP11,00000B1 -19-13NOV13-14/18

RG13221 —UN—26SEP03

16. Press the "Enter" key to toggle the "Automatic Scan" function on.

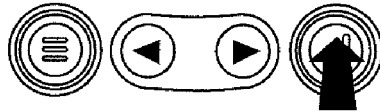
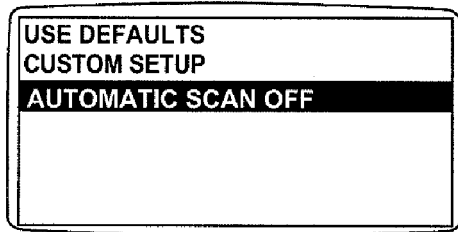


Automatic Scan On

OURGP11.00000B1 -19-13NOV13-15/18

RG13223 —UN—26SEP03

17. Press the "Enter" key again to toggle the "Automatic Scan" function off.

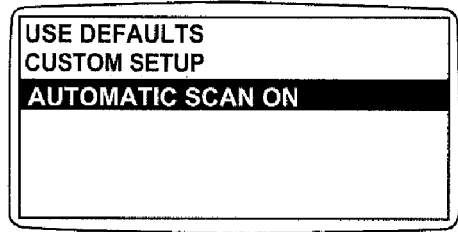


Automatic Scan Off

OURGP11.00000B1 -19-13NOV13-16/18

RG13223 —UN—26SEP03

18. Once the "Use Defaults", "Custom Setup" and "Automatic Scan" functions have been set, press the "Menu" key to return to the main menu.



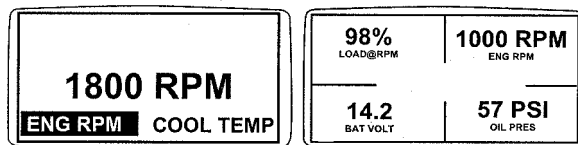
Menu Key

Continued on next page

OURGP11.00000B1 -19-13NOV13-17/18

RG13224 —UN—26SEP03

19. Press the "Menu" key to exit the main menu and return to the engine parameter display.



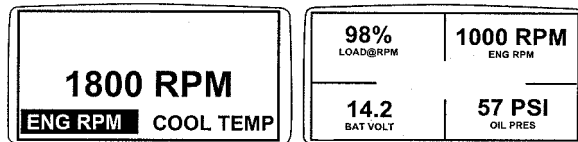
Exit Main Menu

OURGP11,00000B1 -19-13NOV13-18/18

RG13159—UN—26SEP03

Setup 4-Up Display

1. Turn the key switch to the ON position. From the single or four engine parameter display, press the "Menu" key.

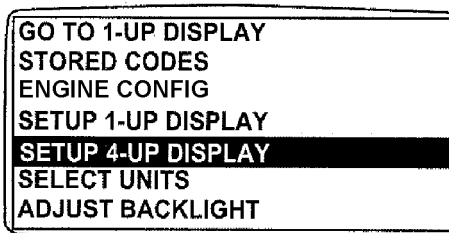


Menu Key

OURGP11,00000B2 -19-13NOV13-1/14

RG13159—UN—26SEP03

2. The main menu will be displayed. Use the "Arrow" keys to scroll through the menu until "Setup 4-Up Display" is highlighted.

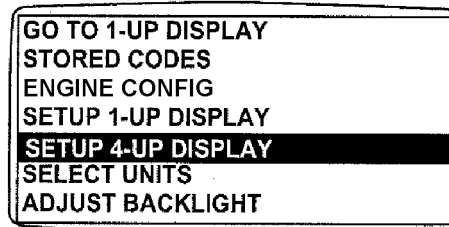


Select Setup 4-Up Display

OURGP11,00000B2 -19-13NOV13-2/14

RG13225—UN—02OCT03

3. Once the "Setup 4-Up Display" menu item has been highlighted, press the "Enter" key to activate the "Setup 4-Up Display" menu.



Press Enter Key

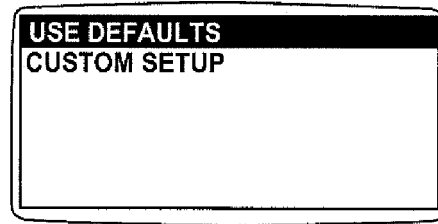
OURGP11,00000B2 -19-13NOV13-3/14

RG13226—UN—02OCT03

Continued on next page

4. Two options are available for the 4-Up Display.

- a. **Use Defaults** – This option contains the following engine parameters for display: Engine Speed, Battery Voltage, Coolant Temperature and Oil Pressure.
- b. **Custom Setup** – This option contains a list of engine parameters. Engine parameters from this list can be selected to replace any or all of the default parameters.

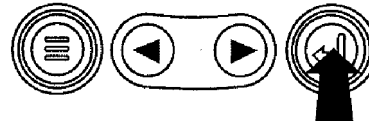
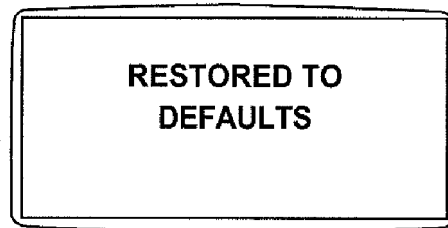


Select Factory Defaults

OURGP11,00000B2 -19-13NOV13-4/14

RG13244—UN—02OCT03

5. To reset the display parameters to the factory defaults, scroll to and highlight "Use Defaults". Press the "Enter" key to activate the "Use Defaults" function. A message indicating the display parameters are reset to the factory defaults will be displayed, then the display will return to the "Setup 4-Up Display" menu.

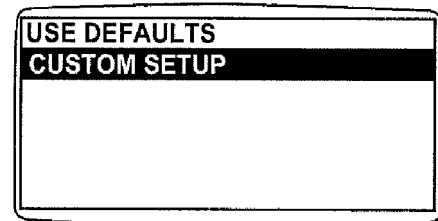


Restored To Defaults

OURGP11,00000B2 -19-13NOV13-5/14

RG13149—UN—24SEP03

6. **Custom Setup** - To perform a custom setup of the 4-Up Display, use the arrow buttons to scroll to and highlight "Custom Setup" on the display.



Custom Setup

Continued on next page

OURGP11,00000B2 -19-13NOV13-6/14

RG13227—UN—26SEP03

7. The quadrant with the highlighted parameter value is the current selected parameter. Use the "Arrow" keys to highlight the value in the quadrant you wish to change to a new parameter.

125°F COOL TEMP	1000 RPM ENG RPM
14.2 BAT VOLT	57 PSI OIL PRES



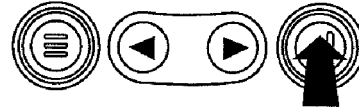
Select Parameters

OURGP11,00000B2 -19-13NOV13-7/14

RG13228 —UN—26SEP03

8. Press the "Enter" key and a list of engine parameters will be displayed.

125°F COOL TEMP	1000 RPM ENG RPM
14.2 BAT VOLT	57 PSI OIL PRES



List Of Engine Parameters

OURGP11,00000B2 -19-13NOV13-8/14

RG13229 —UN—26SEP03

9. The parameter that is highlighted is the selected parameter for the screen. Use the "arrow" keys to highlight the new parameter to be placed in the "4-Up Display".

ENGINE SPEED	3
ENGINE HOURS	
ENGINE COOLANT TEMPERATURE	1
BATTERY POTENTIAL	
ENGINE OIL TEMPERATURE	2
ENGINE OIL PRESSURE	4

The number to the right of the parameter indicates the quadrant in which it is displayed.
 1. = Upper Left Quadrant
 2. = Lower Left Quadrant
 3. = Upper Right Quadrant
 4. = Lower Right Quadrant



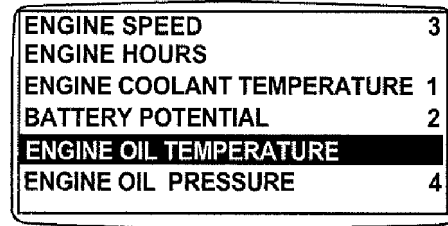
Select Desired Engine Parameter

Continued on next page

OURGP11,00000B2 -19-13NOV13-9/14

RG13230 —UN—26SEP03

10. Press the "Enter" key to change the selected parameter in the quadrant to the new parameter.

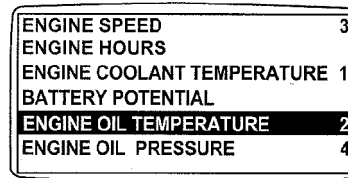


Enter Selected Parameter

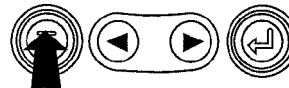
OURGP11,00000B2 -19-13NOV13-10/14

RG13231 —UN—26SEP03

11. Use the "Menu" keys to return to the "4-Up Custom Setup" screen.



Note the number to the right of the selected parameter indicating that the parameter is now assigned to that display location.

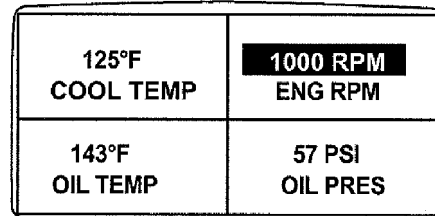


Return To 4-Up Custom Setup

OURGP11,00000B2 -19-13NOV13-11/14

RG13232 —UN—26SEP03

12. The selected quadrant has now changed to the new selected parameter.



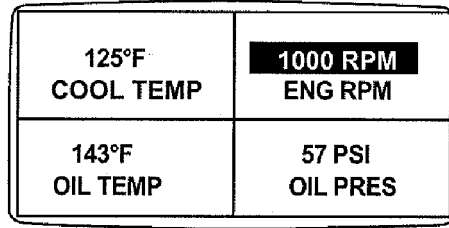
4-Up Display

Continued on next page

OURGP11,00000B2 -19-13NOV13-12/14

RG13153 —UN—24SEP03

13. Repeat the parameter selection process until all spaces are as desired.
14. Press the "Menu" key to return to the main menu.

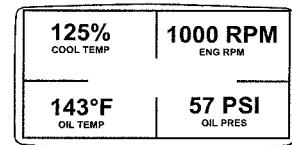
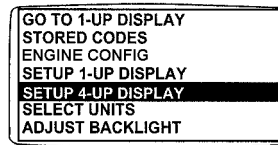


Return To Main Menu

OURGP11,00000B2 -19-13NOV13-13/14

RG13154—UN—24SEP03

15. Press the "Menu" key to exit the main menu and return to the engine parameter display.



Select Remaining Parameters

OURGP11,00000B2 -19-13NOV13-14/14

RG13155—UN—07OCT03

John Deere PowerSight

John Deere PowerSight is a web based service that allows remote access to machine data. John Deere PowerSight is accessible from a laptop, desktop or mobile device.

John Deere PowerSight works by combining a controller that includes cellular communication and GPS antennas. Machine data is collected by the controller and wirelessly transferred to a data server, where it is made available on a website.

John Deere PowerSight allows you to:

- Stay informed on machine location and hours
- Protect assets with Geofence and Curfew alerts
- Keep assets running with maintenance tracking and preventive maintenance plans
- Track and analyze machine and fuel usage
- Conduct remote machine diagnostics and programming

For more information and availability, contact an authorized John Deere dealer or servicing dealer.

BL90236,0000031 -19-13FEB14-1/1

Engine Operation

Normal Engine Operation

Observe engine coolant temperature and engine oil pressure. Temperatures and pressures will vary between engines and with changing operating conditions, temperatures, and loads. See General Marine Engine Specifications — 4.5L or General Marine Engine Specifications — 6.8L in the Specifications Section near end of manual for temperature and pressure specifications for your engine.

If coolant temperature rises above the maximum coolant temperature reduce load on engine. Unless temperature drops quickly, stop engine and determine cause before resuming operation.

Operate the engine under a lighter load and at slower than normal speed for first 15 minutes after start-up. DO NOT

run engine at slow idle unless necessary for maneuvering out of dock and harbor.

Stop engine immediately if there are any signs of part failure. Symptoms that may be early signs of engine problems are:

- Sudden drop in oil pressure
- Abnormal coolant temperatures
- High marine gear oil temperature
- Unusual noise or vibration
- Sudden loss of power
- Excessive black exhaust
- Excessive fuel consumption
- Excessive oil consumption
- Fluid leaks

ZE59858.0000238 -19-30OCT13-1/1

Marine Break-In Service

A proper break-in procedure is critical with John Deere marine diesel engines. A proper break-in will ensure optimal engine life. A proper break-in for John Deere marine engines is expected to take approximately 100 hours if performed correctly.

During this process, it is recommended that the vessel is operated in open water sufficient for safe extended operation.

Initial Run-In Procedure

NOTE: The sea trial procedure should not be replaced by the initial run-in procedure.

Ideally, the initial run-in procedure is accomplished during the sea trial process with a qualified John Deere marine engine technician onboard, following a successful completion of all basic functional testing.

1. Engine speeds and loads should be increased at 100 rpm intervals while simultaneously monitoring engine vitals. Engine operation should be maintained at each 100 rpm interval for a minimum of 5—10 minutes or until engine temperature stabilizes.
2. Speed and load should be increased until rated speed is achieved. If rated speed cannot be achieved abort process and review installation and application guidelines. As with the previous speed and load intervals, rated speed should be maintained for a minimum of 5—10 minutes or until engine temperature stabilizes. If a diagnostic trouble code occurs, abort this process and review installation and application guidelines.
3. Following stabilization at rated speed, proceed to test 100% throttle operation. At 100% throttle the engine should increase above rated speed to operate on the governor. As with the previous speed and load intervals, 100% throttle speed should be maintained for a minimum of 5—10 minutes or until engine temperature stabilizes. If a diagnostic trouble code occurs, abort this process and review installation and application guidelines.

NOTE: The engine speed achieved above rated speed at 100% throttle is dependent on propeller or impeller matching and will vary accordingly.

Exceptions

Bollard pull applications such as working tugs and push boats. Due to the high power to weight ratio and hull designs, it may not be practical to achieve rated speed without bollard operation. For bollard pull applications, perform speed steps and loads as defined previously in a bollard operation with an immovable object. In bollard pull applications only, it is acceptable if 100% throttle results in an engine speed of no more than 100 rpm less than rated speed (rated speed - 100 rpm = GOOD; rated speed - 101 rpm = REVIEW). If under full bollard pull operation with an immovable object and a minimum engine speed of 100

rpm less than rated speed is not achieved, abort process and review installation and application guidelines.

Constant speed engine operation such as generators. A similar process should be followed, except instead of changing speed, the engine load should be increased until the point of maximum engine fueling (100% load or maximum generator output). These 10% steps in engine percent load should be performed for a minimum of 5—10 minutes each or until engine temperature stabilizes while monitoring all engine criticals. If a fault code should occur, abort process and review application and installation guidelines.

Break-In Oil

The engine is factory filled with John Deere Diesel Engine Break-In Oil. This is a special formulation of oil that is designated to aid with the proper break-in of engine components. If performed correctly, it is expected the break-in process will take 100 hours. During this process some make-up oil may be required. As it is not unusual for some oil consumption during the break-in process; it is critical that the oil level be frequently monitored during this process. If make up oil is required use only John Deere Diesel Engine Break-In Oil.

Following the 100 hour break-in process it is recommended that change of oil and filter should occur. If the break-in procedure has been followed and sufficient extended loading of the engine has occurred it is acceptable to proceed with normal oil changes as advised in this operator's manual. However, if during the first 100 hours of operation the engine has operated at periods of light loading and/or idle it is recommended that the oil should be drained and replaced with John Deere Diesel Engine Break-In Oil, and the oil filter should be changed and replaced with a new John Deere oil filter. Following this, the break-in procedure should continue for an additional 100 hours.

IMPORTANT: DO NOT fill above the top of the crosshatch pattern or the FULL mark, whichever is present. Marine engines installed at an angle will have an alternate pattern as identified by the dipstick remarking process to compensate for installation angle. Oil levels anywhere within crosshatch are considered in the acceptable operating range. John Deere Break-In engine oil should be used to make up any oil consumed during the break-in period.

IMPORTANT: DO NOT use Plus-50 or Plus-50 II engine oil during the break-in period of a new engine or engine that has had a major overhaul. Plus-50 or Plus-50 II engine oil will not allow a new or overhauled engine to properly seat in during this break-in period.

IMPORTANT: If John Deere Break-In or Break-In Plus engine oils are not available, use a SAE 10W-30 viscosity grade diesel engine oil meeting one of the following:

Continued on next page

RG19661,00003BC -19-10FEB14-1/2

API Service Classification CE
 API Service Classification CD
 API Service Classification CC
 ACEA Oil Sequence E2
 ACEA Oil Sequence E1

IMPORTANT: Do not use Plus-50 II, Plus-50, or engine oils meeting any of the following for the initial break-in of a new or rebuilt engine:

API CJ-4	ACEA E9
API CI-4 PLUS	ACEA E7
API CI-4	ACEA E6
API CH-4	ACEA E5
API CG-4	ACEA E4
API CF-4	ACEA E3
API CF-2	
API CF	

These oils do not allow the engine to break-in properly.

Break-In Procedure

During the 100 hour break-in period it is important to adequately work the engine to properly seat the engine components. Extended idle and light load operation should be minimized. Extended idle and/or light load operation intervals should not exceed 30 minutes during the break-in process. Minimum operating engine loads should be sufficient to result in coolant temperatures at or above the thermostat opening temperature.

IMPORTANT: It is critically important to properly break in the engine within the first 100 hours. Attempting a break-in at higher hour intervals may be unsuccessful. To correctly perform the break-in, extra effort is required to ensure that engine is heavily exercised and may include running the engine harder than normal usage. This is especially true with M1-M3 ratings and lightly loaded applications such as trawlers and oversized generator sets.

¹Load factor – is the actual fuel burned over a period of time divided by the full-power fuel consumption for the same period of time. For example, if an engine burns 160 L of fuel during an eight-hour run, and the full-power fuel consumption is 60 L per hour, the load factor is $160 \text{ L} / (60 \text{ L per hour} \times 8 \text{ hours}) = 33.3\%$.

M1, M2, and M3 Propulsion Applications — Engine load factors¹ during the break-in period should be greater than 40%. Underway, it is recommended that the vessel is operated at a minimum engine speed of approximately 200—300 rpm below rated speed greater than 50% of the time to provide the minimum sufficient loading.

M4 and M5 Propulsion Applications — Engine load factors¹ during the break-in period should be greater than 25%. Underway, it is recommended that the vessel is operated at a minimum engine speed of approximately 400—500 rpm below rated speed greater than 50% of the time to provide the minimum sufficient loading.

Constant Speed Applications — Minimum engine load factors¹ during the break-in period should be greater than 30%. It is recommended that the engine operate between 50% and 90% load greater than 50% of the time during the break-in period.

IMPORTANT: Lightly Loaded Applications Post Break-In: Engine break-in will not compensate for the observable conditions of a lightly loaded engine such as black fuel oil residue in the exhaust system. These conditions can be common among trawler propulsion engines, oversized generator sets, applications that spend long intervals at idle, and will occur on any lightly loaded diesel engine. John Deere marine diesel engines are designed to operate at loaded conditions. To prevent exhaust system contamination in a lightly loaded application, regularly exercise the engine by periodically increasing the load.

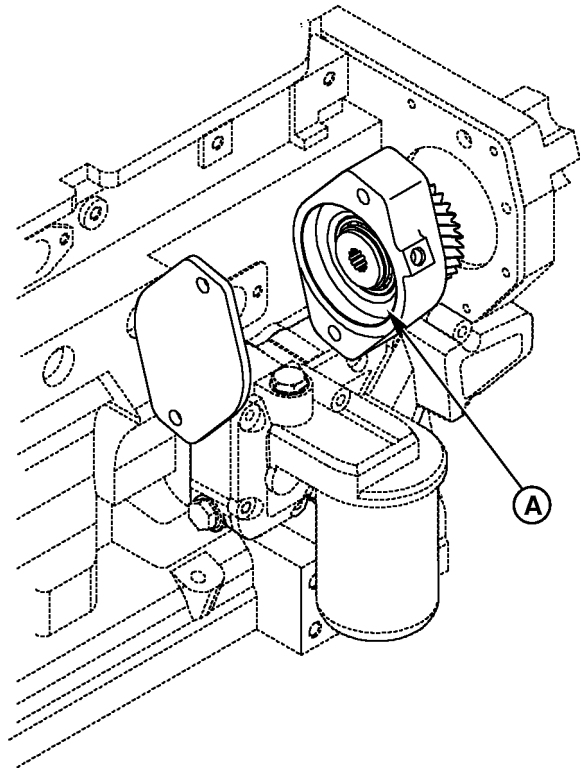
For example, in a trawler propulsion application underway increase the throttle to achieve an engine speed of the break-in speeds defined above for a minimum of 10 minutes every 3 hours. For a generator application, increase the load to 50% load for a minimum of 10 minutes every 3 hours.

Auxiliary Gear Drive Limitations

IMPORTANT: When attaching a sea water pump or other accessory to be driven by the auxiliary gear drive (A) (engine timing gear train at front of engine), power requirements of the accessory must be limited to values listed below:

- 30 kW (40 hp) Continuous Operation
- 37 kW (50 hp) Intermittent Operation

A—Auxiliary Gear Drive



Auxiliary Gear Drive

RG7634A —UN—22JAN99

RG, RG34710, 5555 -19-03JAN02-1/1

Generator Set Power Units

To assure that your engine will deliver efficient generator operation when needed, start engine and run at rated

speed (with 50%—70% load) for 30 minutes every 2 weeks. DO NOT allow engine to run extended period of time with no load.

RG, RG34710, 5556 -19-20MAY96-1/1

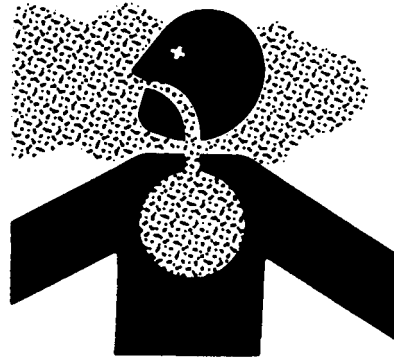
Starting the Engine

The following instructions apply to the optional controls and instruments available through the John Deere Parts Distribution Network. The controls and instruments for your engine may be different from those shown here; always follow manufacturer's instructions.

CAUTION: Before starting engine in a confined engine room, install proper outlet exhaust ventilation equipment. Always use safety approved fuel storage and piping.

NOTE: If temperature is below 0 °C (32 °F), it may be necessary to use cold weather starting aids. See [Cold Weather Operation](#) in the [Engine Operation Section](#).

1. Perform all prestarting checks. See [Daily Prestarting Checks](#) in the Lubrication & Maintenance — Daily Section.
2. Open the fuel supply shutoff valve.
3. If equipped, open fuel return shutoff valve. Verify that all fuel return lines are open and free of restrictions.
4. Set marine gear control lever in the "NEUTRAL" position on propulsion units.



Use Proper Ventilation

5. Move the throttle control lever approximately 1/3 of the way off the idle position.
6. Turn the key switch to the ON position. The "Wait To Start Preheating" message will be displayed when ambient temperatures require preheating (for engines with preheating options). The timer will display minutes and seconds, counting down to zero. Once the timer has reached 0:00 and the "Wait to Start" message is no longer displayed, you may start the engine.

Continued on next page

ZE59858,000027E -19-10MAR17-1/2

TS220—UN—15APR13

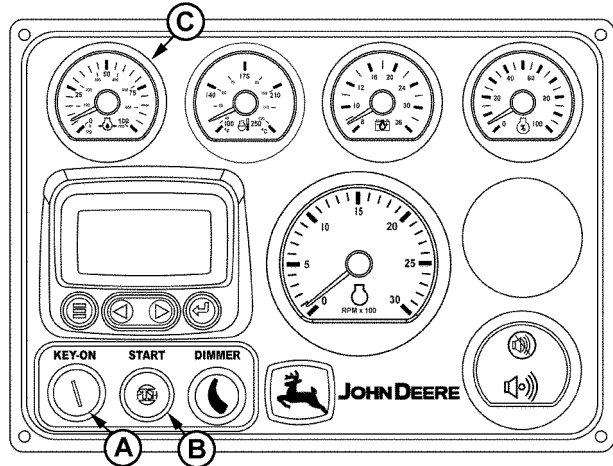
IMPORTANT: Do not operate the starter for more than 30 seconds at a time. To do so may overheat the starter. If the engine does not start the first time, wait at least 2 minutes before trying again. If engine does not start after four attempts, see **Engine Troubleshooting** in the Troubleshooting Section.

If the start switch button is released before the engine starts, wait until the starter and the engine stop turning before trying again. This will prevent possible damage to the starter and/or flywheel.

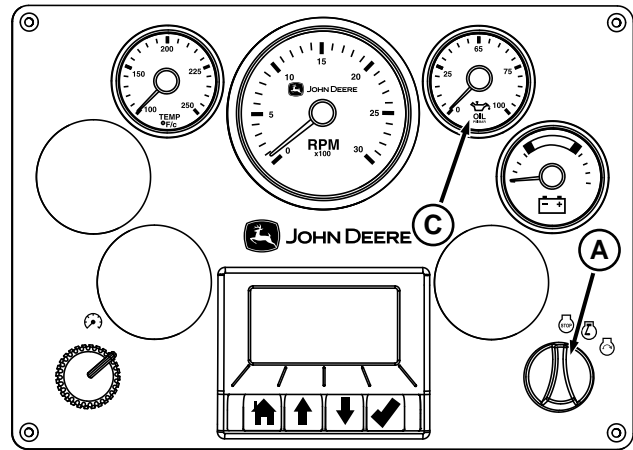
NOTE: Key switch (A) on main (standard) instrument panel must be in "ON" position to start engine using fly bridge (optional) instrument panel.

7. Press start button or turn key switch to crank the engine. When the engine starts, release the button or switch.
8. After the engine starts, observe the oil pressure gauge (C) until it reads at least the slow idle pressure. See General Marine Engine Specifications — 4.5L or General Marine Engine Specifications — 6.8L in the Specifications Section.
9. Warm up the engine at or below 1200 rpm with no load for 1-2 minutes. See following guidelines.
10. Check all gauges for normal engine operation. If operation is not normal, stop the engine and determine the cause.
11. Check sea water outlet for water flow. Check exhaust pipe for water flow on engines with wet exhaust systems.

If sea water does not flow within one minute after engine starts, stop engine and check sea cock, sea water strainer, and sea water pump for restrictions.



Start Engine (Option A)



Start Engine (Option B)

A—Key Switch
B—Start Button

C—Oil Pressure Gauge

RG13134 —UN—07OCT03

RG29320 —UN—23FEB17

ZE59858.000027E -19-10MAR17-2/2

Warming Engine

IMPORTANT: To assure proper lubrication, operate engine at or below 1200 rpm with no load for 1–2 minutes. Extend this period 2–4 minutes when operating at temperatures below freezing.

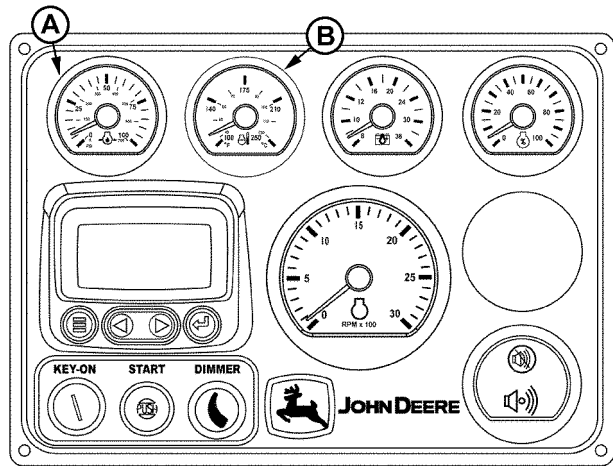
Engines used in generator set applications where the governor is locked at a specified speed may not have a low idle function. Operate these engines at high idle for 1 to 2 minutes before applying the load. This procedure does not apply to standby generator sets where the engine is loaded immediately upon reaching rated speed.

1. Check oil pressure gauge (A) as soon as engine starts. If gauge needle does not rise above minimum oil pressure specification within 5 seconds, stop the engine and determine the cause. See General Marine Engine Specifications and Engine Power And Speed Specifications in the Specifications Section for all oil pressure, engine speed, and coolant temperature specifications.

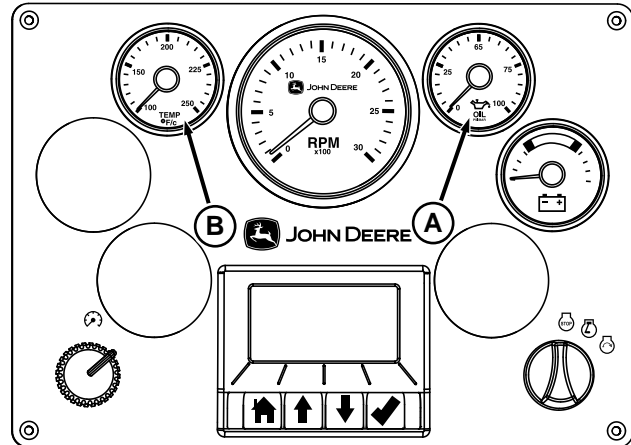
NOTE: On certain engines, the oil pressure and coolant temperature gauges are replaced by indicator warning lights. The lights must be "OFF" when engine is running.

2. Watch coolant temperature gauge (B). Do not place engine under full load until it is properly warmed up. See [General Marine Engine Specifications](#) in the Specifications Section for the normal engine coolant temperature range specification.

NOTE: It is a good practice to operate the engine under a lighter load and at lower speeds than normal for the first few minutes after start-up.



Oil Pressure And Coolant Temperature Gauges (Option A)



Oil Pressure And Coolant Temperature Gauges (Option B)

A—Oil Pressure Gauge

B—Coolant Temperature Gauge

OUOD006.0000091 -19-01MAR17-1/1

Idling Engine

Avoid excessive engine idling. Prolonged idling may cause the engine coolant temperature to fall below its normal range. This, in turn, causes crankcase oil dilution, due to incomplete fuel combustion, and permits formation of gummy deposits on valves, pistons, and piston rings. It also promotes rapid accumulation of engine sludge and unburned fuel in the exhaust system.

Once an engine is warmed to normal operating temperatures, engine should be idled at slow idle speed.

Slow idle speed for this engine is set at the factory. See [Engine Power And Speed Specifications](#) in the Specifications Section near end of manual for slow idle speed for your engine. If an engine will be idling for more than 5 minutes, stop and restart later.

NOTE: Generator set applications where the governor is locked at a specified speed may not have a slow idle function. These engines will idle at no load governed speed (high idle).

OUOD006.0000092 -19-08NOV13-1/1

Cold Weather Operation

Engines may be equipped with coolant heaters as cold weather starting aids.

Engine coolant heaters should be used when temperatures are at or below 0 °C (32 °F).

Switch on the engine coolant heater for a minimum of 2 hours before starting the engine. Additional information on cold weather operation is available from your engine distributor or authorized servicing dealer. Follow steps listed in Starting the Engine in the Engine Operation Section.

Synthetic oils improve flow at low temperatures, especially in arctic conditions.



Starting Fluid is Flammable

TS1356—JUN—18MAR92

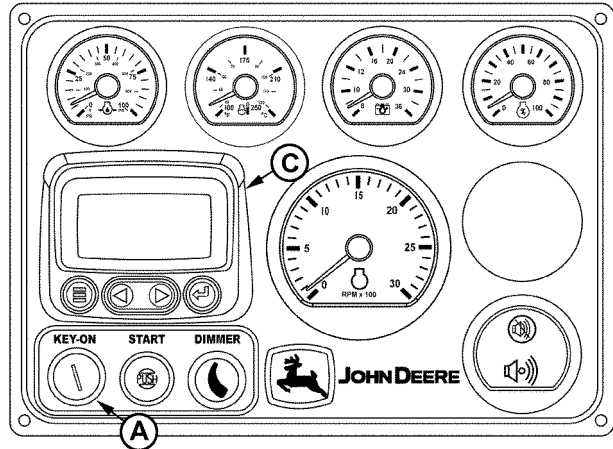
ZE59858,00002A8 -19-02DEC13-1/1

Stopping the Engine

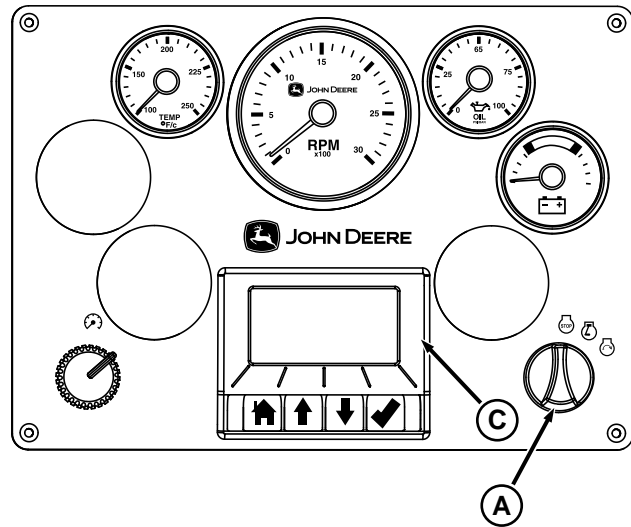
IMPORTANT: Before stopping an engine that has been operating at working load, idle engine at least 5 minutes at 1000–1200 rpm to cool hot engine parts.

Engines in generator set applications where the engine control unit (ECU) is locked at a specified speed and no low idle function is available, run engine for at least 5 minutes at high idle and no load.

1. Remove load from engine or shift marine gear to “NEUTRAL” and run engine for at least 5 minutes at 1000–1200 rpm to allow coolant and oil to carry heat away from the combustion chamber, turbocharger, pistons, and bearings.
2. Turn key switch (A) to “OFF” position and remove key from ignition.
3. If vessel will not be used for several days, close fuel valves and sea cock.
4. Turn main electrical power switch to “OFF”, if equipped.
5. Fill the fuel tank to minimize possible water condensation problems. Filling tanks at end of day drives out moisture-laden air.
6. **For Heat Exchanger Engines:** If the engine will be subjected to temperatures at or below 0°C (32°F), open the sea water pump end cover to drain the sea water from the system to prevent freezing. The sea water pump will require priming before starting the engine.
7. Observe the hour meter reading on diagnostic gauge/hour meter (C) to determine if periodic maintenance is necessary. Make appropriate entries in maintenance logs in the Lubrication and Maintenance Records Section.
8. Perform required periodic maintenance on all other equipment, as recommended by the equipment manufacturers.



Electronically Controlled Engines (Option A)



Electronically Controlled Engines (Option B)

A—Key Switch

C—Diagnostic Gauge/Hour Meter

RG19661,00003BE -19-10MAR17-1/1

RG13290 —UN—06NOV03

RG29318 —UN—23FEB17

Using a Booster Battery or Charger

A 12 volt booster battery can be connected in parallel (B) with battery(ies) on the unit to aid in cold weather starting. ALWAYS use heavy-duty jumper cables.

Series:

- Amps = Same as single battery
- Volts = Twice as a single battery

Parallel:

- Amps = Twice as a single battery
- Volts = Same as a single battery

CAUTION: Gas given off by battery is explosive. Keep sparks and flames away from battery. Before connecting or disconnecting a battery charger, turn charger off. Make last connection and first disconnection at a point away from battery. Always connect NEGATIVE (-) cable last and disconnect this cable first.

IMPORTANT: Be sure that polarity is correct before making connections. Reversed polarity will damage electrical system. Always connect positive to positive and negative to ground. Always use 12 volt booster battery for 12 volt electrical systems and 24 volt booster battery(ies) for 24 volt electrical systems.

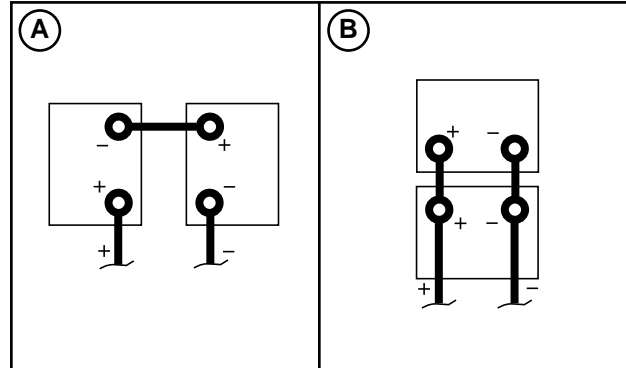
1. Connect booster battery or batteries to produce the required system voltage for your engine application.

NOTE: To avoid sparks, DO NOT allow the free ends of jumper cables to touch the engine.

2. Connect one end of jumper cable to the POSITIVE (+) post of the booster battery.
3. Connect the other end of the jumper cable to the POSITIVE (+) post of battery connected to starter.
4. Connect one end of the other jumper cable to the NEGATIVE (-) post of the booster battery.



Exploding Battery



A—Series

B—Parallel

5. ALWAYS complete the hookup by making the last connection of the NEGATIVE (-) cable to a good ground on the engine frame and away from the battery(ies).
6. Start the engine. Disconnect jumper cables immediately after engine starts. Disconnect NEGATIVE (-) cable first.

RG, RG34710, 5564 -19-17DEC13-1/1

TS204—UN—15APR13

RG24885—UN—17DEC13

Welding Near Electronic Control Units

IMPORTANT: Do not jump-start engines with arc welding equipment. Currents and voltages are too high and may cause permanent damage.

1. Disconnect the negative (-) battery cable(s).
2. Disconnect the positive (+) battery cable(s).
3. Connect the positive and negative cables together. Do not attach to vehicle frame.
4. Clear or move any wiring harness sections away from welding area.
5. Connect welder ground close to welding point and away from control units.



TS953—UN—15MAY90

6. After welding, reverse Steps 1—5.

DX,WW,ECU02 -19-14AUG09-1/1

Keep Electronic Control Unit Connectors Clean

IMPORTANT: Do not open control unit and do not clean with a high-pressure spray. Moisture, dirt, and other contaminants may cause permanent damage.

1. Keep terminals clean and free of foreign debris. Moisture, dirt, and other contaminants may cause the terminals to erode over time and not make a good electrical connection.

2. If a connector is not in use, put on the proper dust cap or an appropriate seal to protect it from foreign debris and moisture.
3. Control units are not repairable.
4. Since control units are the components LEAST likely to fail, isolate failure before replacing by completing a diagnostic procedure. (See your John Deere dealer.)
5. The wiring harness terminals and connectors for electronic control units are repairable.

DX,WW,ECU04 -19-11JUN09-1/1

Lubrication and Maintenance

Required Emission-Related Information

Service Provider

A qualified repair shop or person of the owner's choosing may maintain, replace, or repair emission control devices and systems with original or equivalent replacement parts. However, warranty, recall, and all other services paid for by John Deere must be performed at an authorized John Deere service center.

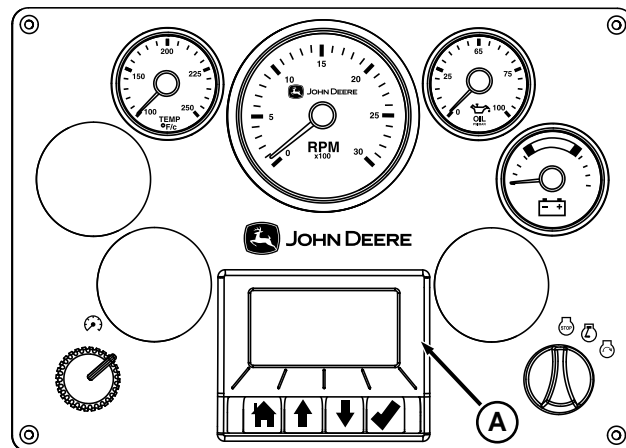
DX,EMISSIONS,REQINFO -19-12JUN15-1/1

Observe Service Intervals

In an emergency, where an authorized John Deere service location is not available, repairs may be performed at any available service establishment, or by the owner, using any replacement part, provided such parts are warranted by their manufacturer to be the equivalent of John Deere parts in performance and durability and the failure does not arise from the owner's failure to perform required maintenance.

Using hour meter (A) as a guide, perform all services at the hourly intervals indicated on following pages. At each scheduled maintenance interval, perform all previous maintenance operations in addition to the ones specified. Keep a record of hourly intervals and services performed, using charts provided in Lubrication and Maintenance Records section.

IMPORTANT: Recommended service intervals are for normal operating conditions. Perform maintenance at interval which occurs first, for example, either at 500 hours of operation or every 12 months. Service more often if engine operated under adverse conditions. Neglecting maintenance can result in failures or permanent damage to the engine.



Hour Meter On Instrument Panel

A—Hour Meter

Perform all services at the hourly intervals. Record the services performed in the Lubrication and Maintenance Records Section. When scheduled service at any hourly level is performed, also perform all subordinate hourly level services.

Main Service	Subordinate Services			
	250 Hours	500 Hours	2000 Hours	6000 Hours
250 Hours	X			
500 Hours	X	X		
2000 Hours	X	X	X	
6000 Hours	X	X	X	X

ZE59858,00002F3 -19-03MAR17-1/1

Use Correct Fuels, Lubricants, and Coolant

IMPORTANT: Use only fuels, lubricants, and coolants meeting specifications outlined in Fuels, Lubricants, and Coolant Section when servicing your John Deere Engine.

Consult your John Deere engine distributor, servicing dealer or your nearest John Deere Parts Network for recommended fuels, lubricants, and coolant. Also available are necessary additives for use when operating engines in tropical arctic, or any other adverse conditions.



Parts Network

DPSG,OUOE003,20 -19-19JUN07-1/1

Lubrication and Maintenance Service Interval Chart

Item	Daily/Before Every Startup	250 Hours or 6 Months	500 Hours or 12 Months	2000 Hours or 24 Months	6000 Hours or 72 Months	Service As Required
Operate Engine at Rated Speed and 50%—70% Load for a Minimum of 30 Minutes. Perform every 2 weeks. (Generator Sets Only)						
Check Engine Oil Level and Coolant Level	•					
Check Sea Water Pump and Strainer (If Equipped)	•					
Check Accessory Drive Belts	•					
Drain Water from Fuel Filters	•					
Inspect Wiring Harness and Fuses	•					
Check Aftercooler Condensate Drain (If Equipped)	•					
Check Air Cleaner Dust Unloader Valve and Air Filter Restriction Indicator ^a	•					
Check Air Intake System	•					
Visual Walkaround Inspection	•					
Change Engine Oil And Replace Oil Filter ^b		•				
Service Fire Extinguisher		•				
Service Battery		•				
Check Engine Mounts		•				
Inspect and Replace Zinc Plugs (If Equipped)		•				
Replace Crankcase Ventilation Filter			•			
Check Air Intake System			•			
Replace Fuel Filter Elements and Clean Water Separator ^c			•			
Check Automatic Belt Tensioner and Belt Wear			•			
Check Cooling System			•			
Pressure Test Cooling System			•			
Inspect and Clean Heat Exchanger Core (If Equipped)			•			
Inspect and Clean Seawater Aftercooler Core (If Equipped)			•			
Check and Adjust Engine Speeds			•			
Check Engine Electrical Ground Connections			•			
Replace Sea Water Pump Impeller (If Equipped)			•			
Check and Adjust Engine Valve Clearance				•		
Check Crankshaft Vibration Damper (If Equipped) ^d				•		
Inspect and Repair Sea Water Pump				•		
Flush And Refill Cooling System					•	
Test Thermostats					•	
Drain Water From Fuel Filters						•
Add Coolant						•
Service Air Cleaner Element						•
Replace Air Cleaner Element						•
Replace Alternator Belt						•
Check Fuses						•

^a Replace primary air cleaner element when restriction indicator shows a vacuum of 625 mm (52 in) H₂O, or when reset button has popped up.

^b Change the oil for the first time before 100 hours maximum of (break-in) operation.

^c Replace fuel filter element when audible alarm sounds and trouble codes indicate plugged fuel filter (low fuel pressure). If no alarm sounds during a 12 month interval, replace element at that time, or after every 500 hours of operation.

^d Replace elastomeric crankshaft vibration damper every 4500 hours or 60 months, whichever occurs first.

Lubrication & Maintenance — Daily

Daily Prestarting Checks

Check the following items BEFORE STARTING THE ENGINE for the first time each day:

- Operate Engine at Rated Speed and 50%—70% Load for a Minimum of 30 Minutes. Perform every 2 weeks. (Generator Sets Only)
- Check engine oil level on dipstick. Fill cap/dipstick may be located on left or right side, depending on application. Add as required, using seasonal viscosity grade oil. See [Diesel Engine Oil — Tier 3 and Stage IIIA Marine Engines](#) in the Fuels, Lubricants, and Coolants Section for oil specifications.

NOTE: Wipe all fittings, caps, and plugs before performing any maintenance to reduce the chance of system contamination.

- Check the coolant level when engine is cold. Fill radiator or surge tank with proper coolant if level is low. See [Adding Coolant](#) in the Service As Required Section. Check overall cooling system for leaks.
- Check the sea water strainer for trash buildup and rinse to clean, if equipped.
- Check the sea water pump for coolant leaks, if equipped.

NOTE: It is normal for a small amount of coolant to weep from the engine weep hole, especially as the engine cools down and parts contract. If enough coolant weeps from the engine where coolant

drips from the engine, this may indicate the need to replace the coolant pump seal. Contact your engine distributor or servicing dealer for repairs.

- Check accessory drive belts for cracks, breaks, or other damage.
- Loosen water drain valve on each fuel filter all the way so that the valve opens to drain water and debris as needed. Retighten valves securely.

NOTE: Any water in fuel is drained into the bottom of the fuel filters. The operator is signaled by an amber indicator on the instrument panel. To service, see [Draining Water From Fuel Filter](#) in the Service As Required Section.

- Inspect seawater aftercooler condensate drain for leaks (if equipped).
- Inspect wiring harness and fuses for frayed wires, damages, or blown fuses.
- Squeeze the automatic dust unloader valve (if equipped) on air cleaner assembly to clear away any dust buildup.
- Check air intake restriction indicator gauge and service air cleaner as required (if equipped).
- Check air intake system hoses and connections for cracks and loose clamps.
- Inspect the engine compartment. Look for fluid leaks, worn fan and accessory drive belts, loose connections, and trash buildup. Remove trash buildup and have repairs made as needed.

ZE59858,00001F9 -19-14NOV13-1/1

Lubrication & Maintenance — 250 Hours/6 Months

Changing Engine Oil and Replacing Oil Filter

See [Engine Oil and Filter Service Intervals — Tier 3 and Stage IIIA — Marine Engines](#) in the Fuels, Lubricants, and Coolant Section for service intervals.

IMPORTANT: If using BIODIESEL blends greater than B20, shorten oil change interval to half the recommended service interval or monitor engine oil using OILSCAN to ensure that fuel dilution does not exceed 5%.

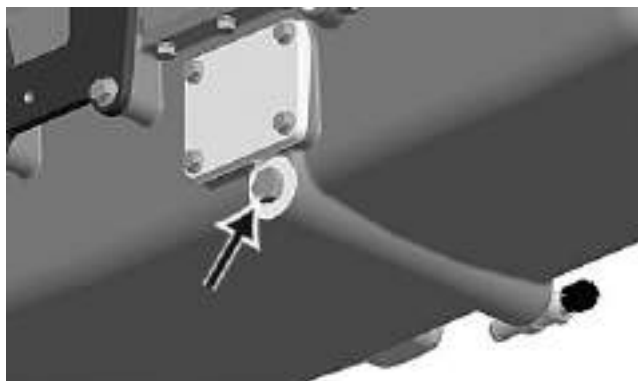
NOTE: Change engine oil and filter for the first time before 100 hours maximum of operation.

OILSCAN™ or OILSCAN PLUS™ is a John Deere sampling program to help you monitor machine performance and identify potential problems before they cause serious damage. OILSCAN™ or OILSCAN PLUS™ kits are available from your John Deere dealer. Oil samples should be taken prior to the oil change. Refer to instructions provided with kit.

To change engine oil and oil filter:

1. Run engine approximately 5 minutes to warm up oil. Shut engine off.

*OILSCAN is a trademark of Deere & Company.
OILSCAN PLUS is a trademark of Deere & Company.*



Oil Pan Drain Plug

2. Remove oil pan drain plug (arrow).
3. Drain crankcase oil from engine while warm.

NOTE: Drain plug location may vary, depending on the application.

RG22041—UN—07JAN13

Continued on next page

RG19661,00003D4 -19-26MAY15-1/3

- Turn filter element (A) using a suitable filter wrench to remove. Discard oil filter element.

NOTE: Depending on engine application, oil filter may be located on either side of the engine in a high- or low-mount location.

IMPORTANT: Filtration of oils is critical to proper lubrication. Always change filter regularly. Use filter meeting John Deere performance specifications.

- Apply clean engine oil to the new filter at the inner (B) and outer (C) seals and to filter threads.
- Wipe both sealing surfaces of the header (D, E) with a clean rag. Ensure that the notches in dust seal (F) are properly installed in the slots of the housing. Replace if damaged.

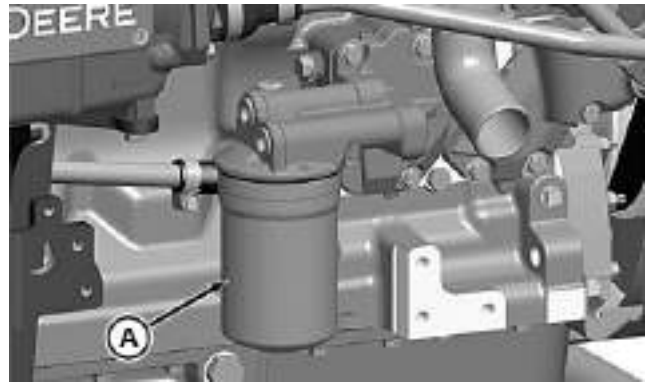
IMPORTANT: When installing filter element, HAND TIGHTEN only. A filter wrench may be used for REMOVAL ONLY.

- Install and tighten oil filter by hand until firmly against dust seal (F). DO NOT apply an extra 3/4 to 1-1/4 turn after gasket contact as done with standard filters.
- Tighten drain plug to specifications.

Specification

Oil Pan Drain Plug With Copper Washer—Torque.....	70 N·m (52 lb.-ft.)
Oil Pan Drain Plug With O-Ring—Torque.....	50 N·m (37 lb.-ft.)

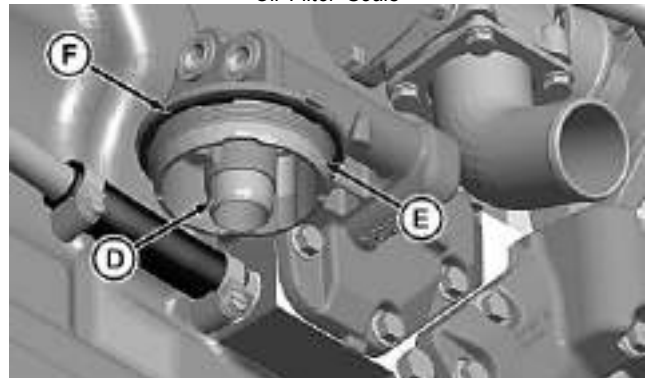
- | | |
|-----------------------------|------------------------------------|
| A—Oil Filter Element | D—Sealing Surface On Header |
| B—Inner Seal | E—Sealing Surface On Header |
| C—Outer Seal | F—Dust Seal |



Oil Filter



Oil Filter Seals



Oil Filter Mounting Header

Continued on next page

RG19661,00003D4 -19-26MAY15-2/3

RG22045 —UN—29NOV12

RG11617 —UN—24OCT01

RG22046 —UN—29NOV12

9. Fill engine crankcase with correct John Deere engine oil through rocker arm cover opening (A) or through oil fill cam on side of engine. See [Diesel Engine Oil — Tier 3 and Stage IIIA Marine Engines](#) in the Fuels, Lubricants, and Coolant Section for determining correct engine oil.

To determine the correct oil fill quantity for your engine, see [Engine Crankcase Oil Fill Quantities](#) in the Specifications Section.

IMPORTANT: Immediately after completing any oil change, crank engine for 30 seconds without permitting engine to start. This will help insure adequate lubrication to engine components before engine starts.

NOTE: Crankcase oil capacity may vary slightly. ALWAYS fill crankcase within crosshatch marks on dipstick. DO NOT overfill.

10. Start engine and run to check for possible leaks.



Rocker Arm Cover Oil Filler Opening

A—Rocker Arm Cover Oil Filler Opening

11. Stop engine and check oil level after 10 minutes. Oil level reading should be within crosshatch on dipstick.

RG19661,00003D4 -19-26MAY15-3/3

RG22047 —UN—28NOV12

Servicing Fire Extinguisher

A fire extinguisher (A) is available from your authorized servicing dealer or engine distributor.

Read and follow the instructions which are packaged with it. The extinguisher should be inspected at least every 250 hours of engine operation or every 6 months. Once extinguisher is operated, no matter how long, it must be recharged. Keep record of inspections on the tag which comes with the extinguisher instruction booklet.



Fire Extinguisher

OURGP11,000015D -19-07NOV13-1/1

RW4918 —UN—15DEC88

Servicing Battery

CAUTION: Battery gas can explode. Keep sparks and flames away from batteries. Use a flashlight to check battery electrolyte level.

Never check battery charge by placing a metal object across the posts. Use a voltmeter or hydrometer.

Always remove grounded **NEGATIVE (-)** battery clamp first and replace it last.

WARNING: Battery posts, terminals, and related accessories contain lead and lead compounds, chemicals known to the State of California to cause cancer and reproductive harm. **Wash hands after handling.**

1. On regular batteries, check electrolyte level. Fill each cell to bottom of filler neck with distilled water.

NOTE: Low-maintenance or maintenance-free batteries should require little additional service. However, electrolyte level can be checked by cutting the center section of decal on dash-line, and removing cell plugs. If necessary, add clean, soft water to bring level to bottom of filler neck.

2. Keep batteries clean by wiping them with a damp cloth. Keep all connections clean and tight. Remove



Exploding Battery

any corrosion, and wash terminals with a solution of 1 part baking soda and 4 parts water. Tighten all connections securely.

NOTE: Coat battery terminals and connectors with a mixture of petroleum jelly and baking soda to retard corrosion.

3. Keep battery fully charged, especially during cold weather. If a battery charger is used, turn off charger before connecting charger to battery(ies). Attach **POSITIVE (+)** battery charger lead to **POSITIVE (+)** battery post. Then attach **NEGATIVE (-)** battery charger lead to a good ground.

Continued on next page

RG, RG34710, 5568 -19-08NOV13-1/2

TS204—UN—15APR13

⚠ CAUTION: Sulfuric acid in battery electrolyte is poisonous. It is strong enough to burn skin, eat holes in clothing, and cause blindness if splashed into eyes.

Avoid the hazard by:

1. Filling batteries in a well-ventilated area.
2. Wearing eye protection and rubber gloves.
3. Avoiding breathing fumes when electrolyte is added.
4. Avoiding spilling or dripping electrolyte.
5. Use proper jump start procedure.

If you spill acid on yourself:

1. Flush your skin with water.
2. Apply baking soda or lime to help neutralize the acid.
3. Flush your eyes with water for 10–15 minutes. Get medical attention immediately.

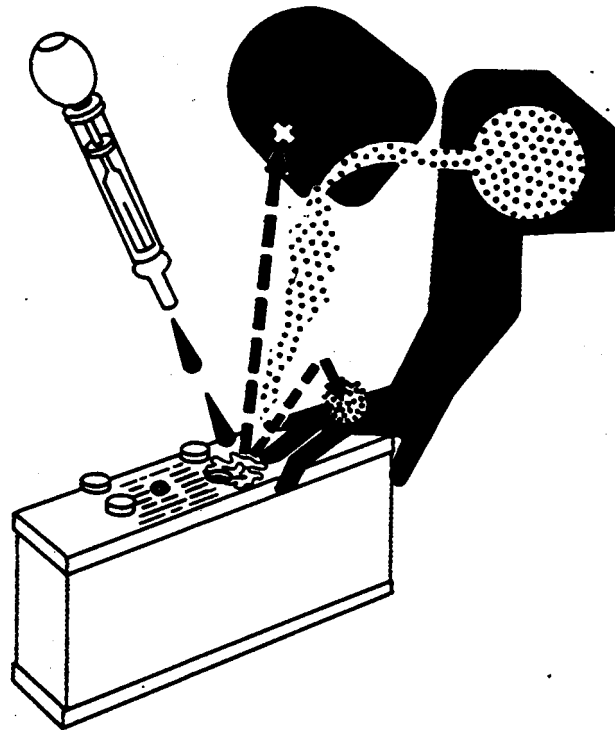
If acid is swallowed:

1. Drink large amounts of water or milk.
2. Then drink milk of magnesia, beaten eggs, or vegetable oil.
3. Get medical attention immediately.

In freezing weather, run engine at least 30 minutes to assure thorough mixing after adding water to battery.

If necessary to replace battery(ies), replacements must meet or exceed the following recommended capacities at -18 °C (0 °F):

Specification	
12 Volt System—Cold	
Cranking Amps.....	800
Reserve Capacity	
(Minutes).....	350



Sulfuric Acid

24 Volt System—Cold	
Cranking Amps.....	570
Reserve Capacity	
(Minutes).....	275

TS203 —UN—23AUG88

RG, RG34710, 5568 -19-08NOV13-2/2

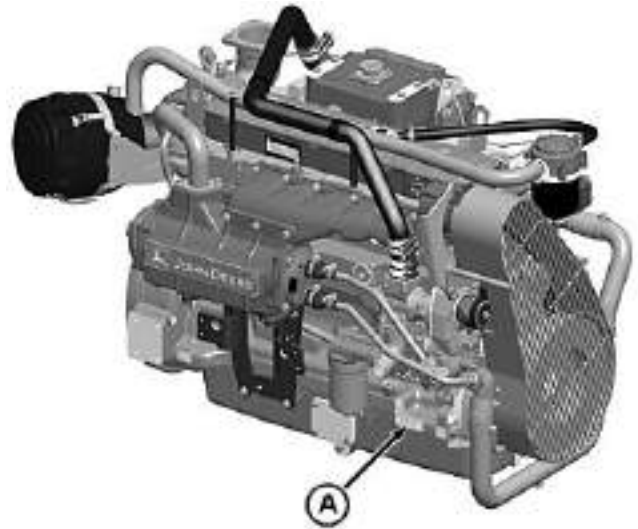
Checking Engine Mounts

Engine mounting is the responsibility of the vessel or generator manufacturer. Follow manufacturer's guidelines for mounting specifications. Front engine mounts (A) only are available from John Deere.

IMPORTANT: Use only SAE Grade 8 or higher grade of hardware for engine mounting.

1. Check the engine mounting bolts on support frame and engine block for tightness. Tighten as necessary.
2. Inspect overall condition of vibration isolators, if equipped. Replace isolators, as necessary, if rubber has deteriorated or mounts have collapsed.

A—Engine Mounting Holes



Check Mounting Holes

RG22051—UN—29NOV12

RG19661,00003D7 -19-29JAN13-1/1

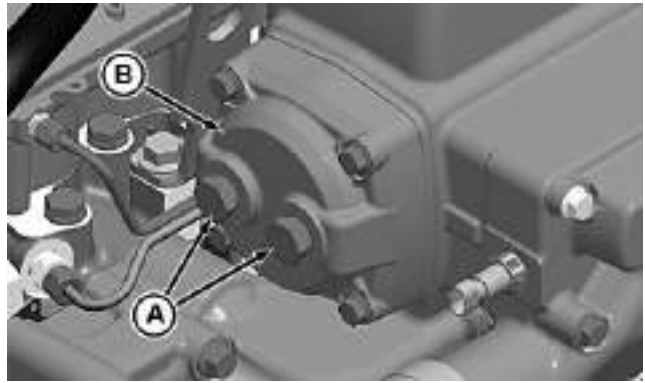
Inspecting and Replacing Zinc Plugs (If Equipped)

Zinc plugs (A) are installed in the sea water cooling system to help reduce the corrosive action of salt in the sea water. The reaction of the zinc to sea water causes the plugs to deteriorate, instead of the more critical cooling system parts. Therefore, the zinc plugs **MUST BE** inspected every 250 Hours.

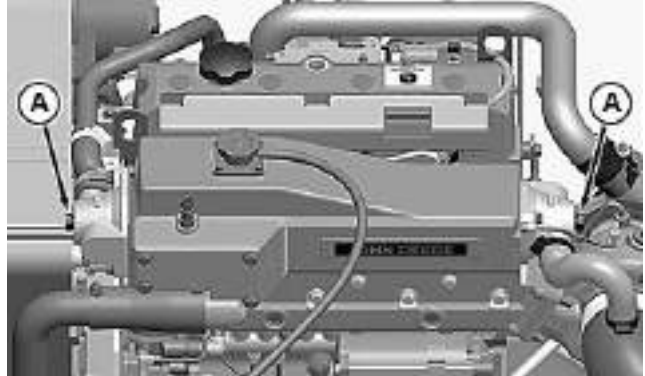
1. Remove zinc rod from each end cap (B) and observe condition of each.

A—Zinc Plugs

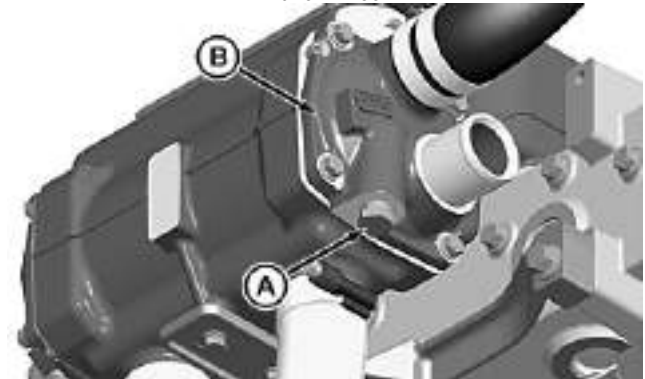
B—End Cap



4045AFM85



4045TFM85



6068AFM85 and 6068SFM85



6068SFM85

Continued on next page

RG19661,00003D5 -19-11NOV13-1/2

RG22137—UN—06DEC12

RG24320—UN—05SEP13

RG22048—UN—29NOV12

RG24315—UN—05SEP13

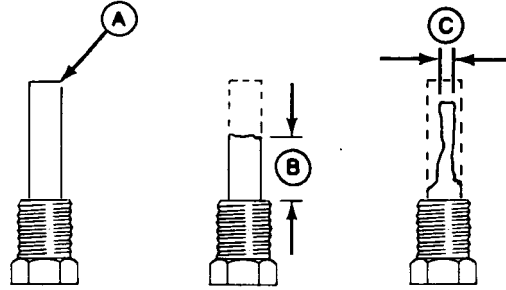
2. Measure zinc plugs (A) to determine the amount of erosion on length (B) and outer diameter (C).
3. Tap the zinc rods lightly with a hammer. If rod flakes apart when tapped, install a new zinc plug.

NOTE: Zinc plug new part dimensions are 31.8 mm (1.25 in.) long and 9.5 mm (0.38 in.) outer diameter.

4. If length is less than 15.9 mm (0.63 in.) or outer diameter is less than 4.8 mm (0.19 in.) on either plug, replace all zinc plugs.
5. Install zinc plug and tighten to specifications.

Specification

Zinc Plug—Torque..... 40 Nm (30 lb-ft)



Zinc Plug Erosion

A—Measure Zinc Plugs
B—Measure Length

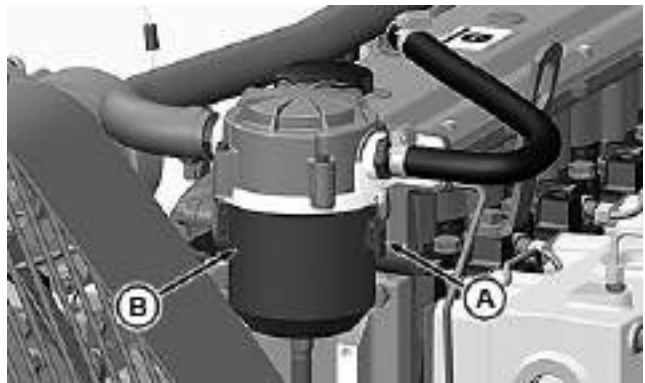
C—Measure Diameter

RG6007 —UN—27 JAN92

RG19661,00003D5 -19-11NOV13-2/2

Replacing Crankcase Vent Filter

1. Remove clamps (A) and remove the crankcase vent housing (B).
2. Remove old filter and discard.
3. Install new filter into crankcase vent housing and snap into place.
4. Install housing and secure clamps.
5. Inspect crankcase fitting for damage and make sure that it is not plugged.
6. Verify that the crankcase vent system bypass port is not plugged.
7. Inspect hoses and oil drain line for kinks, blockage, or other damage.



Replace Crankcase Vent Filter

A—Clamps

B—Housing

RG19661,00003D8 -19-08NOV13-1/1

RG24339—UN—06SEP13

Checking Air Intake System

IMPORTANT: The air intake system must not leak. Any leak, no matter how small, may result in engine failure due to abrasive dirt and dust entering the intake system.

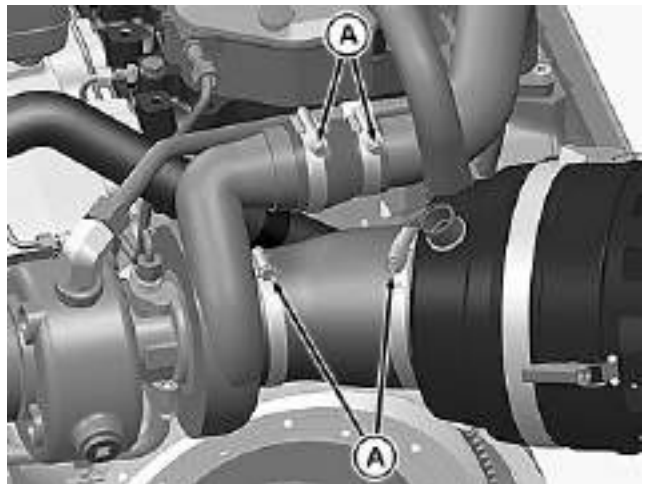
1. Inspect all intake hoses (piping) for cracks. Replace as necessary.
2. Check clamps (A) on piping which connects the air cleaner, engine and, if present, turbocharger. Tighten clamps as necessary. This will help prevent dirt from entering the air intake system through loose connections causing internal engine damage.

IMPORTANT: ALWAYS REPLACE primary air cleaner element when air filter restriction indicator gauge shows vacuum of 625 mm (25 in.) H₂O, or when reset button has popped up (if equipped). Also replace element if it is torn, or visibly dirty.

3. Test air filter restriction indicator (B) for proper operation. Replace indicator as necessary.

IMPORTANT: If not equipped with air filter restriction indicator, replace air cleaner elements at 500 hours or 12 months, whichever occurs first.

4. Replace air cleaner element if restriction indicator gauge shows vacuum of 625 mm (25 in.) H₂O, or when reset button has popped up, if equipped. Also replace element if it is torn, or visibly dirty. Service as necessary. See [Replacing Air Cleaner Filter Element](#) in the Service As Required Section.



Check Clamps



Air Restriction Indicator

A—Clamps

B—Air Restriction Indicator

RG19661,00003DA -19-30OCT13-1/1

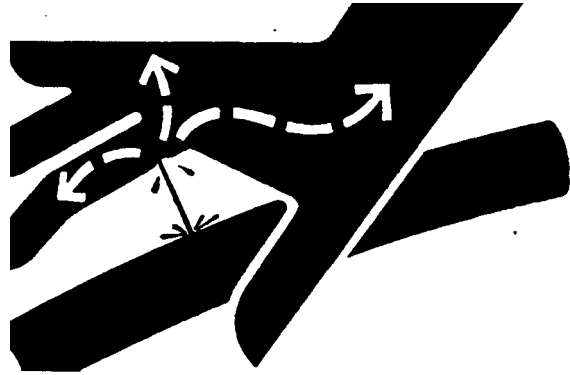
RG24319—UN—05SEP13

RG9875—UN—12FEB99

Replacing Fuel Filters/Cleaning Water Separator

CAUTION: Escaping fluid under pressure can penetrate the skin causing serious injury. Relieve pressure before disconnecting fuel or other lines. Tighten all connections before applying pressure. Keep hands and body away from pinholes and nozzles which eject fluids under high pressure. Use a piece of cardboard or paper to search for leaks. Do not use your hand.

If any fluid is injected into the skin, it must be surgically removed within a few hours by a doctor familiar with this type injury or gangrene may result. Doctors unfamiliar with this type of injury may call the Deere & Company Medical Department in Moline, Illinois, or other knowledgeable medical source.



High Pressure Fluids

Continued on next page

RG19661,00003E5 -19-08NOV13-1/2

X9811 —UN—23AUG88

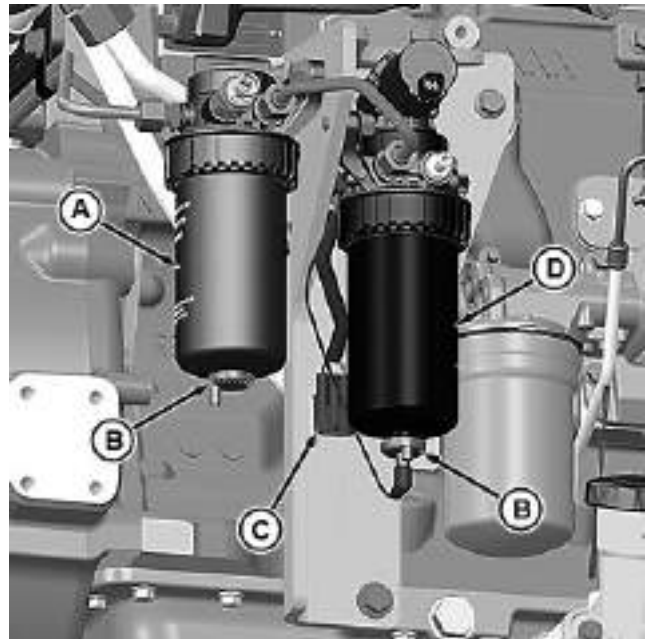
CAUTION: If engine has been running, engine and fuel filter housing may be hot.

IMPORTANT: Primary fuel filter and secondary fuel filter must both be replaced whenever audible alarm sounds and diagnostic trouble code indicates a plugged filter (fuel supply pressure moderately/extremely low).

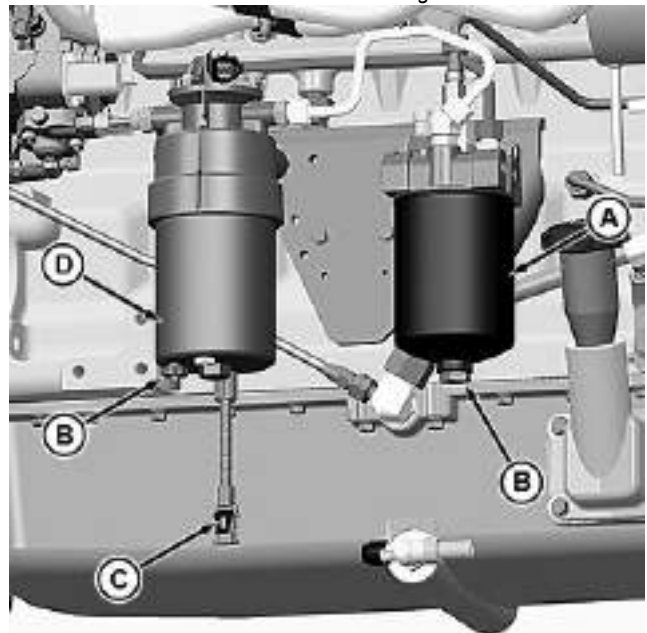
1. Close fuel shutoff valve (if equipped).
2. Clean entire area surrounding fuel filter assembly to keep debris from entering fuel system.
3. Disconnect water-in-fuel connector (C).
4. Open drain valve (B) and drain fuel from water separator into a suitable container.
5. Remove primary fuel filter (D) by hand or using suitable filter wrench.
6. Remove water separator bowl, if equipped, from primary fuel filter by hand or using a suitable strap wrench.
7. Clean separator bowl and dry it.
8. Lubricate new water separator bowl seal with thin film of clean fuel, and hand tighten to primary fuel filter.

NOTE: Raised locators on fuel filter canisters must be indexed properly with slots in mounting base for correct installation.

9. Lubricate new primary fuel filter seal with thin film of clean fuel.
10. Screw primary fuel filter into header until the seal contacts the fuel filter header.
11. When seal contacts the fuel filter header, tighten until a “click” is heard.
12. Connect water-in-fuel sensor connector (C).
13. Remove secondary fuel filter (A) using a suitable filter wrench.
14. Lubricate new secondary fuel filter seal with a thin film of clean fuel, and screw filter into fuel filter header until the seal contacts the fuel filter header.
15. When the seal contacts the header, tighten until a “click” is heard.
16. Open fuel supply shutoff valve (if equipped).
17. Turn ignition key to the ON position for 120 seconds to allow the fuel system to prime itself.
18. Start engine and allow to run for a minimum of 5 minutes.



Fuel Filters — 4.5L Engine



Fuel Filters — 6.8L Engine

A—Secondary Fuel Filter
B—Drain

C—Water-In-Fuel Connector
D—Primary Fuel Filter

RG19661.00003E5 -19-08NOV13-2/2

RG24753 —UN—08NOV13

RG24752 —UN—08NOV13

Checking Belt Tensioner Spring Tension and Belt Wear

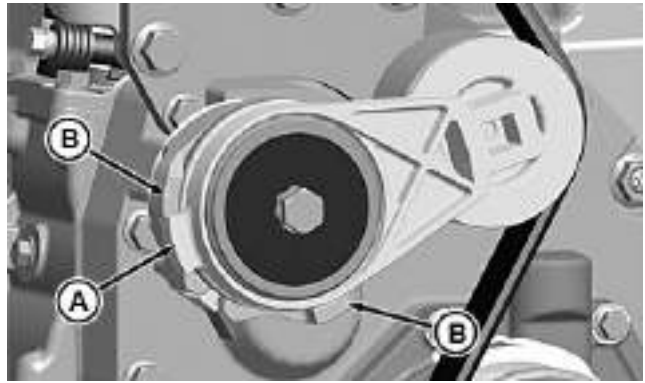
Belt drive systems equipped with automatic (spring) belt tensioners cannot be adjusted or repaired. The automatic belt tensioner is designed to maintain proper belt tension over the life of the belt. If tensioner spring tension is not within specification, replace tensioner assembly.

Checking Belt Wear

The belt tensioner is designed to operate within the limit of arm movement provided by the cast stops (A and B) when correct belt length and geometry are used.

Visually inspect cast stops (A and B) on belt tensioner assembly.

If the tensioner cast stop (A) on swing arm is hitting either fixed cast stop (B), check mounting brackets (alternator, belt tensioner, idler pulley, etc.) and the belt length. Replace belt as needed (see [Replacing Alternator Belt](#) in the Service As Required Section).



Cast Stops - Tensioner Arm

A— Tensioner Cast Stops

B— Fixed Cast Stops

RG22080 —UN—03DEC12

Continued on next page

RG19661,00003E6 -19-20SEP13-1/2

Checking Tensioner Spring Tension

A belt tension gauge will not give an accurate measure of the belt tension when automatic spring tensioner is used. Measure tensioner spring tension using a torque wrench and procedure outlined below.

1. Release tension on belt using a long handled 1/2 inch drive tool in square hole in tensioner arm. (Earlier tensioner arms have bolt in place of square hole, and require breaker bar with socket.) Remove belt from pulleys.

NOTE: While belt is removed, inspect pulleys and bearings. Rotate and feel for hard turning or any unusual sounds. If pulleys or bearings need replacement, see your John Deere dealer.

2. Release tension on tension arm and remove drive tool.
3. Put a mark (A) on swing arm of tensioner as shown.
4. Measure 21 mm (0.83 in.) from (A) and put a mark (B) on tensioner mounting base.
5. Install torque wrench (C) so that it is aligned with centers of pulley and tensioner. Rotate the swing arm using a torque wrench until marks (A and B) are aligned.
6. Record torque wrench measurement and compare with specification below. Replace tensioner assembly as required.

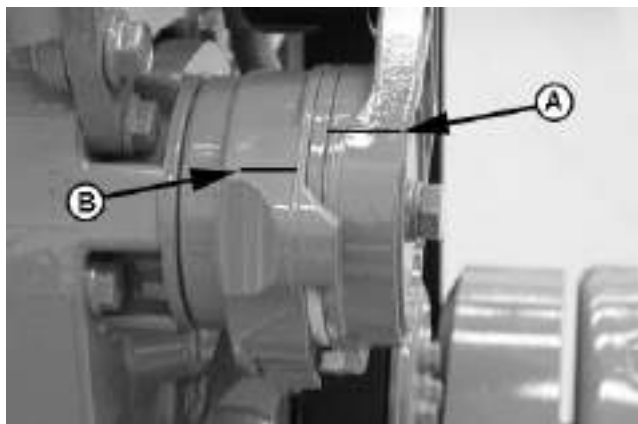
Specification

Spring Tension—Torque..... 18—22 N·m (13—16 lb.-ft.)

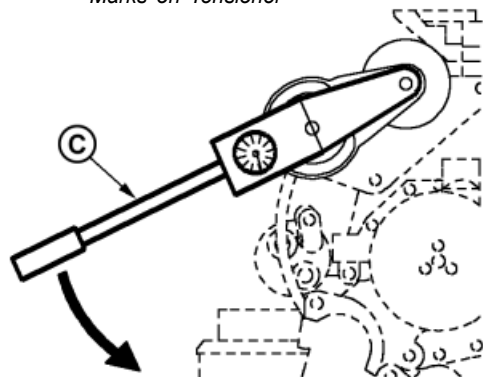
NOTE: Threads on belt tensioner roller cap screw are LEFT-HAND threads

A—Mark On Swing Arm
B—Mark On Tensioner Mounting Base

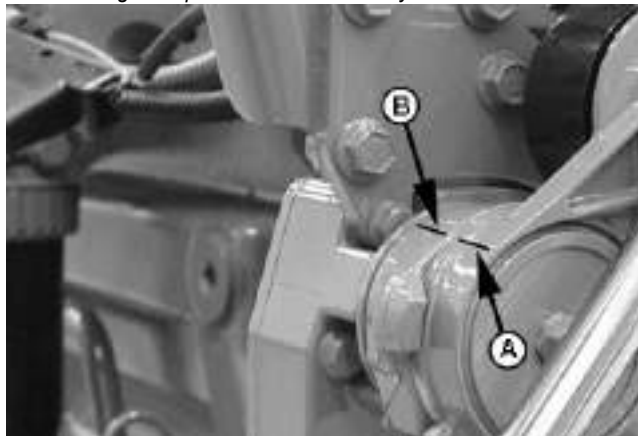
C—Torque Wrench



Marks on Tensioner



Align Torque Wrench With Pulley and Tensioner



Align Marks

RG13745 —UN—11NOV04

RG12065 —UN—28JAN02

RG13746 —UN—11NOV04

RG19661,00003E6 -19-20SEP13-2/2

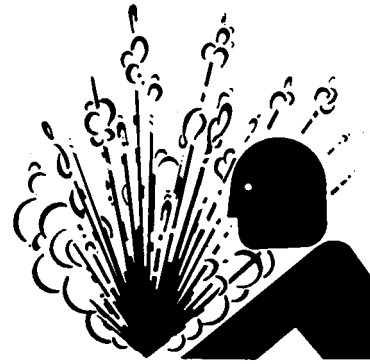
Checking Cooling System

⚠ CAUTION: Explosive release of fluids from pressurized cooling system can cause serious burns.

Shut off engine. Only remove filler cap when cool enough to touch with bare hands. Slowly loosen cap to first stop to relieve pressure before removing completely.

IMPORTANT: Air must be expelled from cooling system when system is refilled. Loosen temperature sending unit fitting at rear of cylinder head or plug in thermostat housing to allow air to escape when filling system. Retighten fitting or plug when all the air has been expelled.

1. Check entire cooling system for leaks. Tighten all clamps securely.



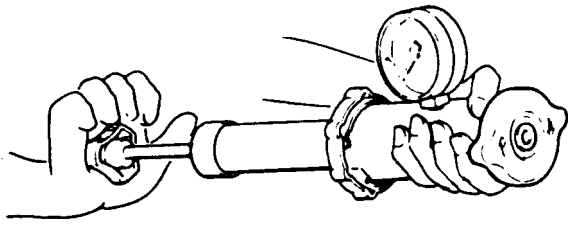
High-Pressure Fluids

2. Thoroughly inspect all cooling system hoses. Replace hoses when hard, flimsy, or cracked.

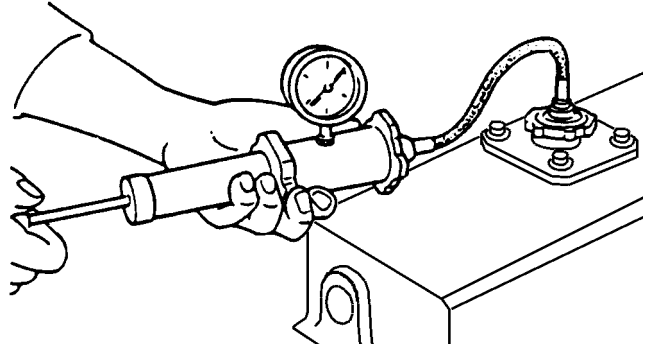
TS281—UN—15APR13

RG, RG34710, 5580 -19-07NOV13-1/1

Pressure Testing Cooling System



RG6557 —UN—20JAN93



RG9850 —UN—06JAN99

CAUTION: Explosive release of fluids from pressurized cooling system can cause serious burns.

Shut off engine. Only remove filler cap when cool enough to touch with bare hands. Slowly loosen cap to first stop to relieve pressure before removing completely.

Test Coolant Filler Cap

1. Remove coolant filler cap and attach to an appropriate tester as shown.
2. Pressurize cap to specifications. Gauge should hold pressure for 10 seconds within the normal range if cap is acceptable.

If gauge does not hold pressure, replace pressure cap.

Specification

Radiator Cap —
4045TFM85—Pressure..... 69 kPa (0.69 bar) (10 psi)

Specification

Radiator Cap
—Pressure..... 110 kPa (1.1 bar) (16 psi)

3. Remove the cap from gauge, turn it 180°, and retest cap. This will verify that the first measurement was accurate.

Test Cooling System

NOTE: Engine should be warmed up to test overall cooling system.

1. Allow engine to cool, then carefully remove coolant filler cap.
2. Fill tank with coolant to the normal operating level.

IMPORTANT: DO NOT apply excessive pressure to cooling system, doing so may damage coolant tank and hoses.

3. Connect gauge and adapter to filler neck. Pressurize cooling system to specifications.

Specification

Cooling System —
4045TFM85—Pressure..... 69 kPa (0.69 bar) (10 psi)

Specification

Cooling System
—Pressure..... 110 kPa (1.1 bar) (16 psi)

4. With pressure applied, check all cooling system hose connections, coolant tank, and overall engine for leaks.

If leakage is detected, correct as necessary and pressure test system again.

If no leakage is detected, but the gauge indicated a drop in pressure, coolant may be leaking internally within the system or at the block-to-head gasket. Have your servicing dealer or distributor correct this problem immediately.

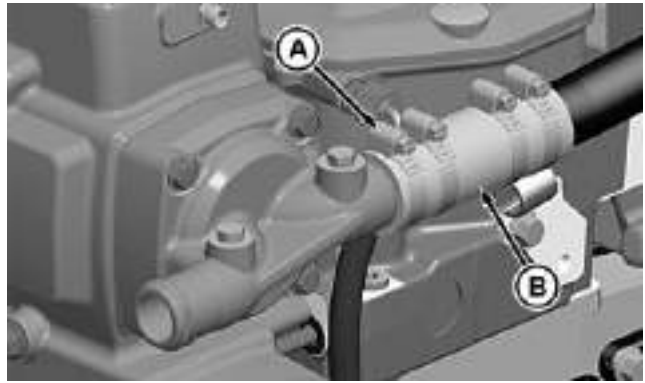
RG19661,0000409 -19-04SEP13-1/1

Removing, Inspecting, and Cleaning Engine Heat Exchanger Core (4.5 L)

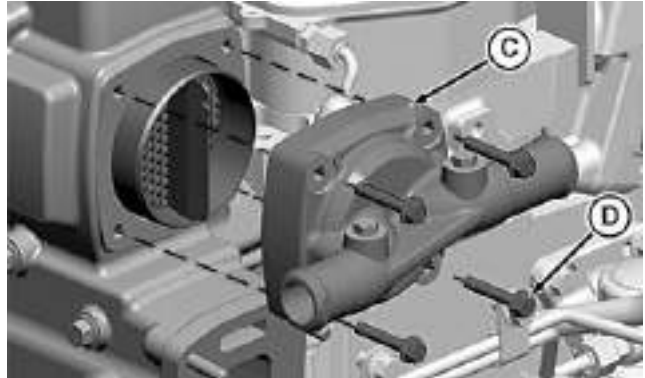
1. Close sea cocks and drain the sea water system.
2. Open drain valve on cylinder block and drain engine coolant into a clean container. Close drain valve.
3. Loosen hose clamps (A) and disconnect sea water tube (B).
4. Remove cap screws (D) and remove rear end cap (C). Identify end cap so it can be installed in the same position as removed.
5. Remove cap screws (F) and remove front end cap (E). Identify end cap so it can be installed in the same position as removed.
6. Thoroughly inspect condition of end cap sealing O-rings. Sealing O-rings may be reused if not excessively worn or damaged during disassembly. Replace sealing rings as necessary.

A—Hose Clamp
B—Tube
C—Rear End Cap

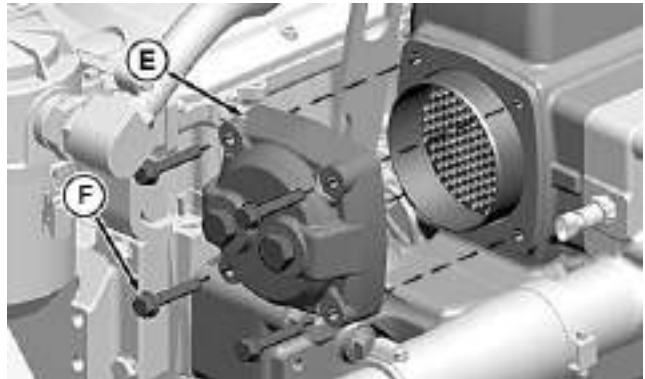
D—Cap Screws
E—Front End Cap
F—Cap Screws



RG22138—UN—06DEC12



RG22139—UN—06DEC12



RG22140—UN—06SEP13

Continued on next page

RG19661,000040B -19-30OCT13-1/2

7. Remove heat exchanger core (G) through rear side of housing.
8. Remove remaining end cap from water manifold/heat exchanger housing. Remove end cap from heat exchanger core.
9. Thoroughly clean all buildup from both end caps and inspect zinc plug in each. Replace plugs as needed. See Inspecting and Replacing Zinc Plugs (If Equipped) in the 250 Hours/6 Months Section.)
10. Use a brass rod to clean out any buildup in each heat exchanger tube. Run the rod the entire length of each tube to push out debris.
11. Flush the heat exchanger tubes with clean water, making sure that all tubes are cleared of debris. Clean (with brass rod) and flush heat exchanger again if necessary to remove any remaining debris from tubes. If you suspect that your heat exchanger core is defective, have your authorized servicing dealer or engine distributor pressure test for leaks. Replace heat exchanger core as required.
12. Remove and thoroughly clean water manifold/heat exchanger housing if needed.



G—Heat Exchanger Core



Clean Heat Exchanger

RG19661,000040B -19-30OCT13-2/2

RG22141—UN—06SEP13

RG6066—UN—23JAN92

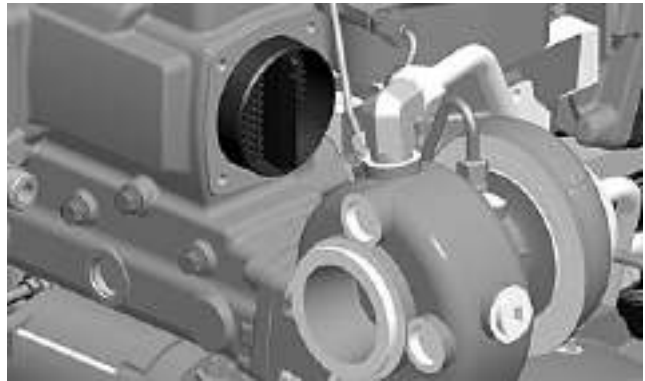
Installing Heat Exchanger Core (4.5 L)

1. Install heat exchanger core (G) through rear side of housing.
2. Be sure that heat exchanger core divider is oriented in the vertical position.

G—Heat Exchanger Core



RG22141 —UN—06SEP13



RG22708 —UN—09APR13

Continued on next page

RG19661,000040F -19-09SEP13-1/2

3. Thoroughly inspect condition of end cap sealing O-rings. Sealing O-rings may be reused if not excessively worn or damaged during disassembly. Replace sealing rings as necessary.
4. Install rear end cap (C) and install cap screws (D). Index end cap in same position as removed.
5. Tighten cap screws (D) to specifications depending on your application.

Specification

Cap Screws (D) —	
4045AFM85—Torque.....	35 N·m (26 lb.-ft.)
Cap Screws (D) —	
4045TFM85—Torque.....	50 N·m (37 lb.-ft.)

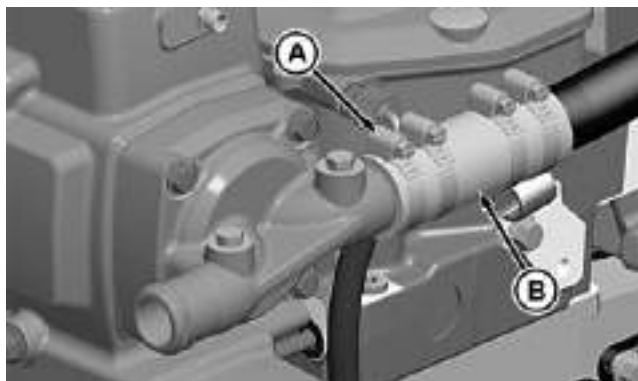
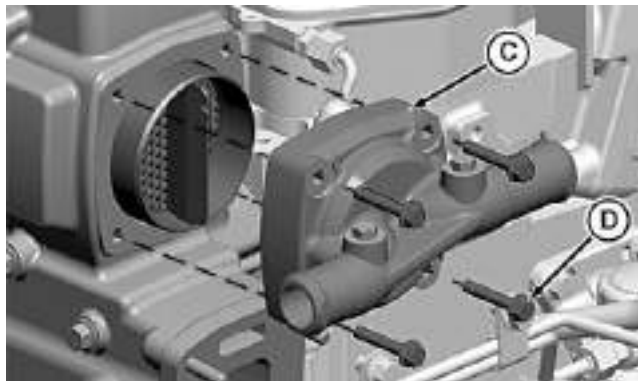
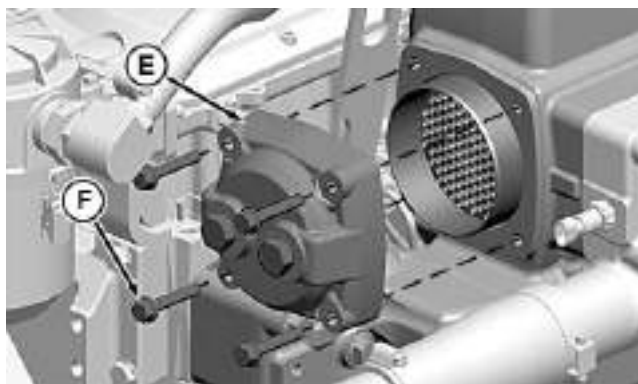
6. Install front end cap (E) and install cap screws (F). Index end cap in same position as removed.
7. Tighten cap screws (F) to specifications depending on your application.

Specification

Cap Screws (F) —	
4045AFM85—Torque.....	35 N·m (26 lb.-ft.)
Cap Screws (F) —	
4045TFM85—Torque.....	50 N·m (37 lb.-ft.)

8. Connect sea water tube (B) and tighten hose clamps (A) securely. Fill cooling system with the proper amount and concentration of ethylene glycol base antifreeze.
9. Open sea cock, start engine, and check for leaks.

- | | |
|-----------------------|------------------------|
| A—Hose Clamp | D—Cap Screws |
| B—Tube | E—Front End Cap |
| C—Rear End Cap | F—Cap Screws |



RG22140—UN—06SEP13

RG22139—UN—06DEC12

RG22138—UN—06DEC12

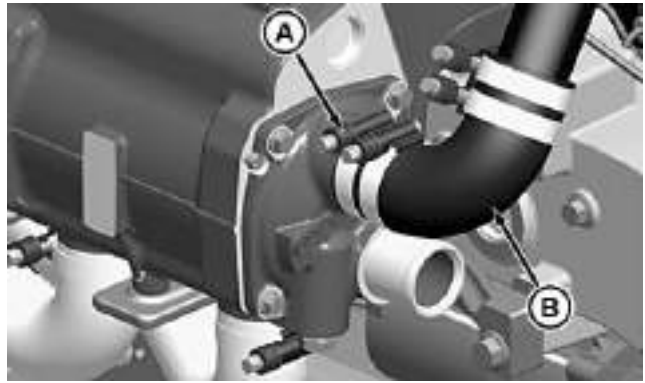
RG19661,000040F -19-09SEP13-2/2

Removing, Inspecting, and Cleaning Engine Heat Exchanger Core (6.8 L)

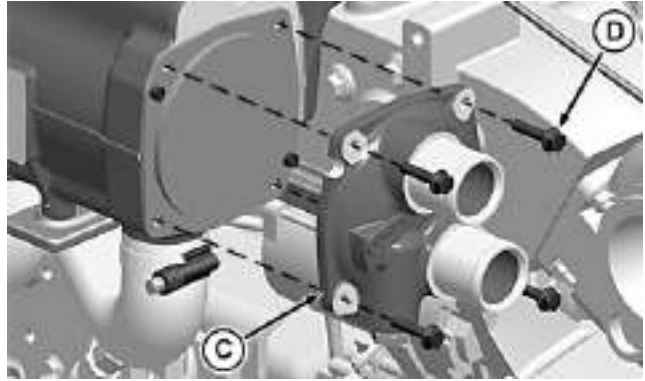
1. Close sea cocks and drain the sea water system.
2. Open drain valve on cylinder block and drain engine coolant into a clean container. Close drain valve.
3. Loosen hose clamps (A) and disconnect sea water tube (B).
4. Remove cap screws (D) and remove rear end cap (C). Identify end cap so it can be installed in the same position as removed.
5. Remove socket head cap screws (E).
6. Remove cap screws (G) and remove front end cap (F). Identify end cap so it can be installed in the same position as removed.
7. Thoroughly inspect condition of end cap sealing O-rings. Sealing O-rings may be reused if not excessively worn or damaged during disassembly. Replace sealing rings as necessary.

A—Hose Clamp
 B—Tube
 C—Rear End Cap
 D—Cap Screws

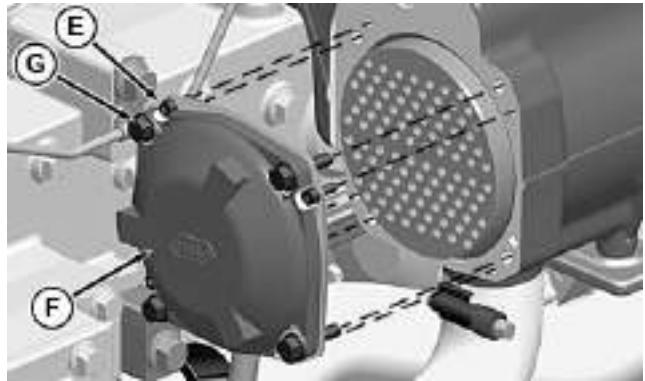
E—Socket Head Cap Screws
 F—Front End Cap
 G—Cap Screws



RG22133—UN—06DEC12



RG22134—UN—06DEC12

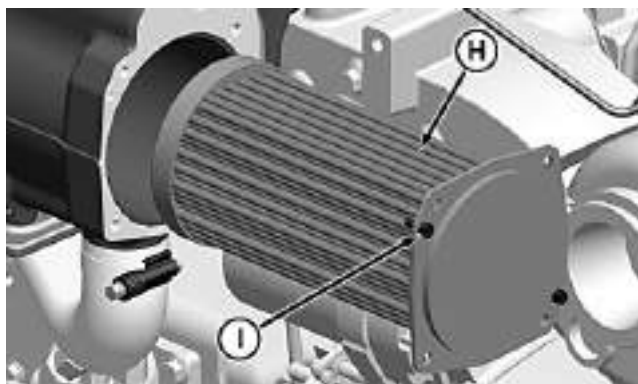


RG22135—UN—06SEP13

Continued on next page

ZE59858,000018A -19-30OCT13-1/2

8. Remove socket head cap screws (I).
9. Remove heat exchanger core (H) through rear side of housing.
10. Remove remaining end cap from water manifold/heat exchanger housing. Remove end cap from heat exchanger core.
11. Thoroughly clean all buildup from both end caps and inspect zinc plug in each. Replace plugs as needed. See Inspecting and Replacing Zinc Plugs (If Equipped) in 250 Hours/6 Months Section.
12. Use a brass rod to clean out any buildup in each heat exchanger tube. Run the rod the entire length of each tube to push out debris.
13. Flush the heat exchanger tubes with clean water, making sure that all tubes are cleared of debris. Clean (with brass rod) and flush heat exchanger again if necessary to remove any remaining debris from tubes. If you suspect that your heat exchanger core is defective, have your authorized servicing dealer or engine distributor pressure test for leaks. Replace heat exchanger core as required.
14. Remove and thoroughly clean water manifold/heat exchanger housing if needed.



H—Heat Exchanger Core I— Socket Head Cap Screws



Clean Heat Exchanger

ZE59858,000018A -19-30OCT13-2/2

RG22136—UN—06SEP13

RG6066—UN—23JAN92

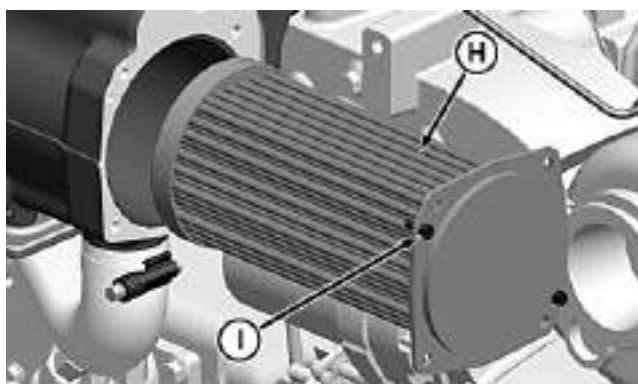
Installing Heat Exchanger Core (6.8 L)

1. Install heat exchanger core (H) through rear side of housing.
2. Install socket head cap screws (I). Tighten socket head cap screws to specifications.

Specification

Socket Head Cap
Screws—Torque.....11 N·m (97 lb.-in.)

H—Heat Exchanger Core I— Socket Head Cap Screws



Continued on next page

ZE59858,000018B -19-23OCT13-1/2

RG22136—UN—06SEP13

3. Thoroughly inspect condition of end cap sealing O-rings. Sealing O-rings may be reused if not excessively worn or damaged during disassembly. Replace sealing rings as necessary.
4. Install front end cap (F) and install cap screws (G). Index end cap in same position as removed.
5. Tighten cap screws (F) to specifications.

Specification

Cap Screws
 (G)—Torque..... 26 N·m (230 lb.-in.)

6. Install socket head cap screws (E). Tighten socket head cap screws to specifications.

Specification

Socket Head Cap
 Screws—Torque..... 11 N·m (97 lb.-in.)

7. Install rear end cap (C) and install cap screws (D). Index end cap in same position as removed.
8. Tighten cap screws (D) to specifications.

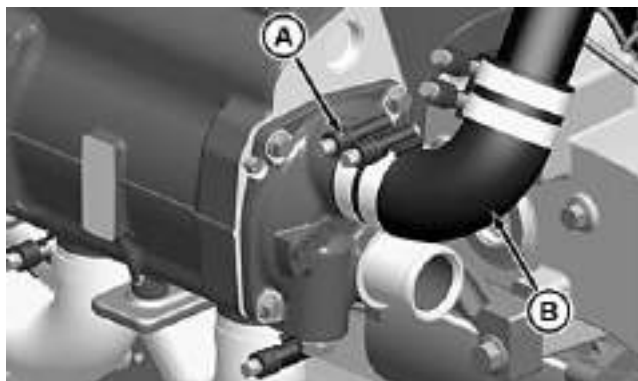
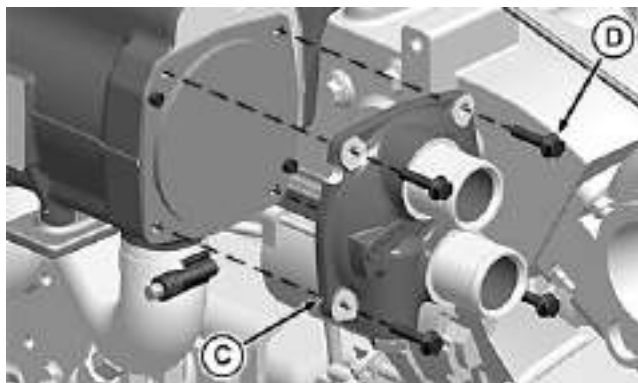
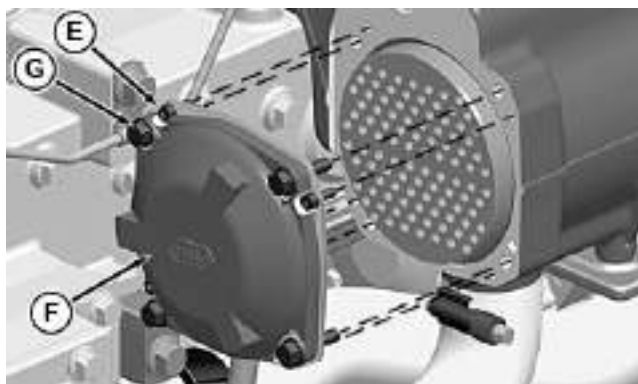
Specification

Cap Screws (D)
 —Torque..... 26 N·m (230 lb.-in.)

9. Connect sea water tube (B) and tighten hose clamps (A) securely. Fill cooling system with the proper amount and concentration of ethylene glycol base antifreeze.
10. Open sea cock, start engine, and check for leaks.

A—Hose Clamp
 B—Tube
 C—Rear End Cap
 D—Cap Screws

E—Socket Head Cap Screws
 F—Front End Cap
 G—Cap Screws



RG22135—UN—06SEP13

RG22134—UN—06DEC12

RG22133—UN—06DEC12

ZE59858,000018B -19-23OCT13-2/2

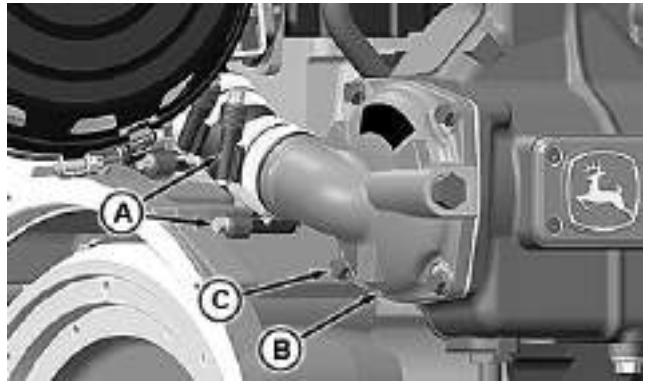
Removing, Inspecting, and Cleaning Engine Aftercooler Core (6068SFM85)

IMPORTANT: Ensure that Service Kit is readily available before removing aftercooler core. Air side seals will be destroyed during core removal, and service kit includes required replacement seals, as well as end cap O-rings.

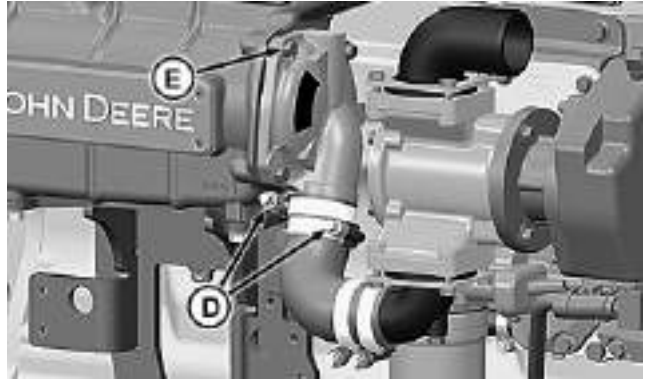
1. Close sea cocks and drain the sea water or coolant system.
2. Remove air filter.
3. Loosen clamps (A) and remove sea water hose from rear end cap.
4. Remove cap screws (C) and rear end cap (B). Identify end cap so it can be installed in the same position as removed.
5. Loosen clamps (D) and remove lines from front end cap.
6. Remove cap screws (E) and rear end cap. Identify end cap so it can be installed in the same position as removed.
7. Remove aftercooler core (F) through rear side of housing.

A—Clamps
B—Rear End Cap
C—Cap Screws

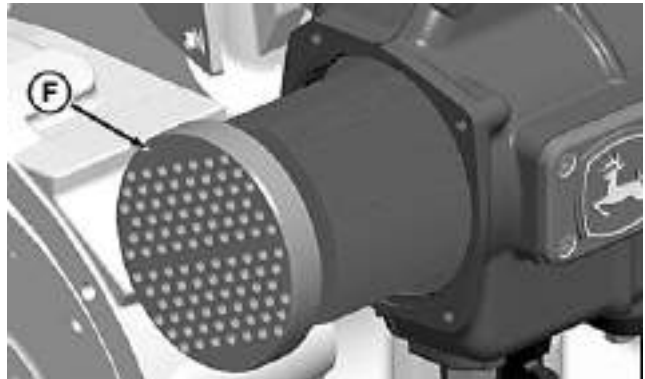
D—Clamps
E—Cap Screws
F—Aftercooler Core



RG22151A —UN—04NOV13



RG22152A —UN—04NOV13



RG22153 —UN—06SEP13

ZE59858.000018C -19-04NOV13-1/2

8. Thoroughly clean all buildup from both end caps.
9. Use a brass rod to clean out any buildup in each tube. Run the rod the entire length of each tube to push out debris.
10. Flush the tubes with clean water, making sure that all tubes are cleared of debris. Clean (with brass rod) and flush aftercooler core again if necessary to remove any remaining debris from tubes.
If you suspect that your aftercooler core is defective, have your authorized servicing dealer or engine distributor pressure test for leaks. Replace aftercooler core as required.



Clean Aftercooler Core

RG12181 —UN—25FEB02

ZE59858.000018C -19-04NOV13-2/2

Installing Aftercooler Core (6068SFM85)

1. Install O-rings on front and rear end caps. Lubricate front and rear end cap O-rings with clean multi-purpose grease.
2. Install aftercooler core (G) through rear side of housing.
3. Install front end cap in same position as removed. Evenly tighten cap screws (E) to specifications.

Specification

Cap Screws—Torque..... 26 N·m (230 lb.-in.)

4. Install lines and clamps (D).
5. Install rear end cap (B) in same position as removed. Evenly tighten cap screws (C) to specifications.

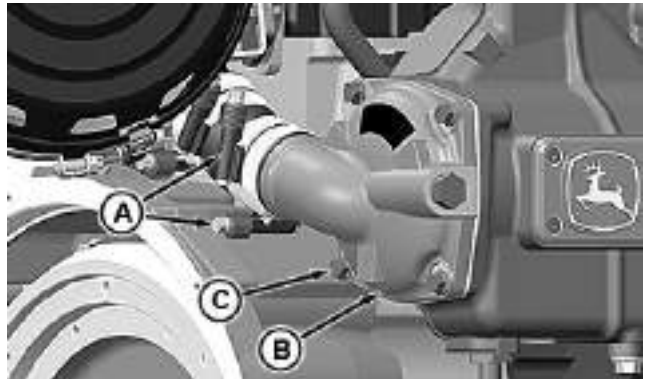
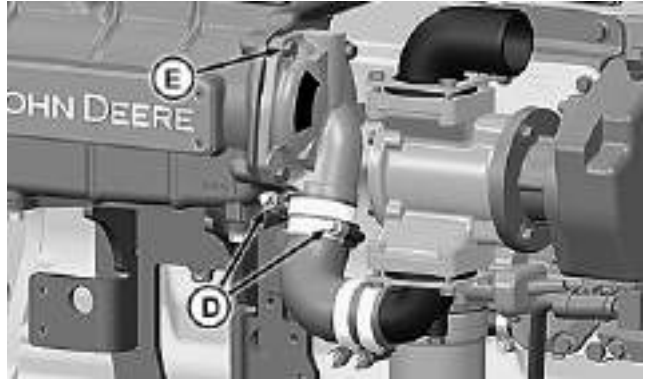
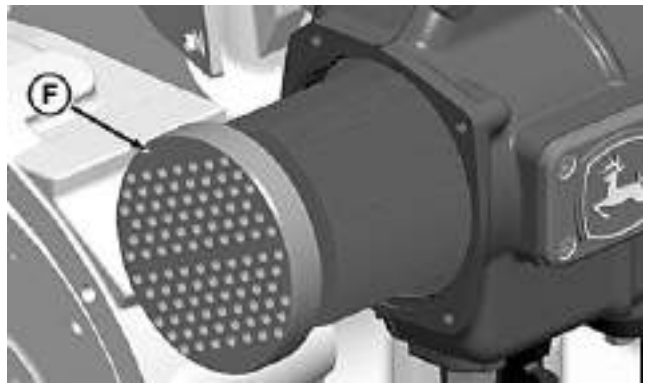
Specification

Cap Screws—Torque..... 26 N·m (230 lb.-in.)

6. Install sea water hose and clamps (A) to rear end cap.
7. Open sea cocks.
8. Install air cleaner.

A—Clamps
B—Rear End Cap
C—Cap Screws

D—Clamps
E—Cap Screws
F—Aftercooler Core



ZE59858.000018D -19-04NOV13-1/1

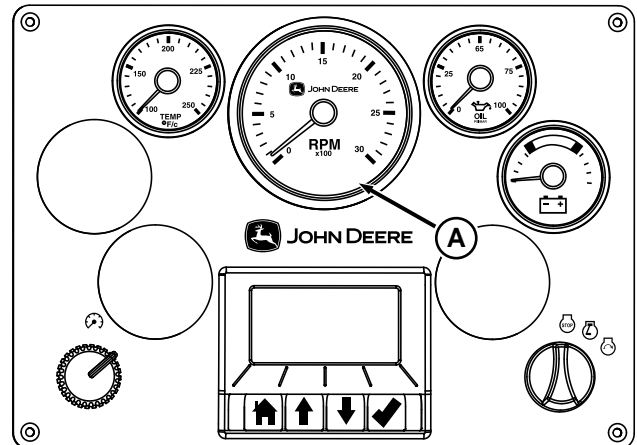
RG22153 —UN—06SEP13

RG22152A —UN—04NOV13

RG22151A —UN—04NOV13

Checking and Adjusting Engine Speeds

Observe tachometer reading (A) on the instrument panel to verify engine speeds. See Engine Power and Speed Ratings in the Specifications Section.



Observe Tachometer Reading

ZE59858.000023A -19-03MAR17-1/1

RG29322 —UN—23FEB17

Checking Engine Electrical Ground Connections

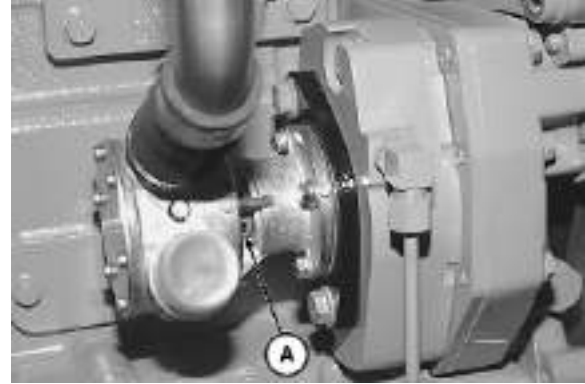
Keep all engine ground connections clean and tight to prevent electrical arcing which can damage electronic components.

Also see precautions in Troubleshooting Section when welding on engine or machine.

OUOD002,0000169 -19-23NOV01-1/1

Replacing Sea Water Pump Impeller (4045TFM85)

1. Inspect the sea water pump housing weep hole (A), if equipped, for evidence of water or oil indicating seal leakage.
If water leakage is evident, order an Impeller Repair Kit and replace impeller and front housing/shaft seal.
If oil leakage is evident, order a Major Repair Kit and replace all internal components except shaft. An arbor press and drivers are needed to install this kit. Have an experienced technician install this kit.



Inspect Sea Water Pump

RG9852—JUN—05/JAN99

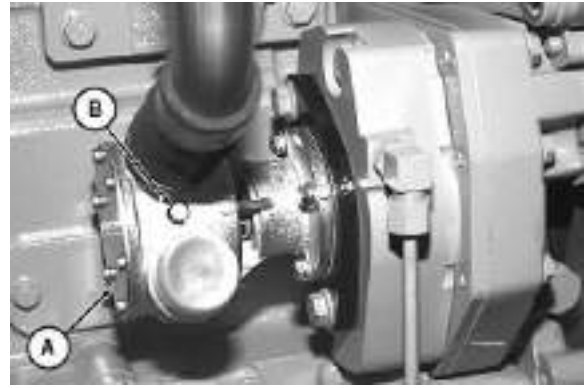
A—Weep Hole

Continued on next page

RG19661,0000401 -19-06SEP13-1/2

2. Close sea cock and drain sea water system if not previously done.
3. Remove six cover plate cap screws with washers and remove cover plate (A) with O-ring. Remove impeller end cap from end of impeller bore.

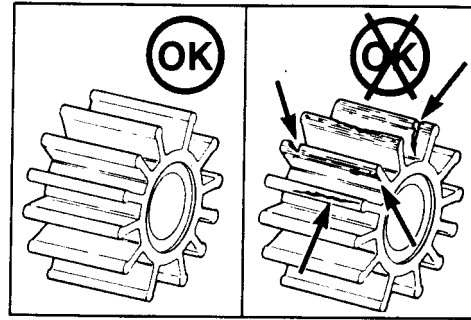
NOTE: Normally the impeller can be removed by using two pair of pliers to grip impeller vanes on opposite sides of impeller. Rotating the pump shaft by hand may help free the impeller. Petroleum based lubricants can cause the impeller to swell, and are not recommended to free a stuck impeller.



Remove Cover Plate

4. Carefully remove impeller with cam plate. Be careful not to damage impeller if it is in reusable condition. Remove key from shaft keyway. The impeller must be installed in the same direction as removed. Mark the impeller to ensure installation in proper direction of rotation if impeller is reused.
5. Inspect impeller for damages such as tears, stress cracks, excess abrasions on vane ends, or chunks of material missing. Impellers that are run dry will overheat and fail the impeller blades at the root. Impellers that swell and stick, fail the impeller in the middle of the blade. If impeller replacement is necessary, order an impeller repair kit.

IMPORTANT: If impeller has chunks of material missing, the heat exchanger, gear oil cooler, and any other circuit that are cooled by raw water should be thoroughly cleaned and flushed.



Inspect Sea Water Pump Impeller

A—Cover Plate

B—Cam Screw

6. Remove cam screw (B) holding cam plate to impeller housing bore.
7. Thoroughly clean impeller housing bore and cam plate (if cam plate is reused).
8. Apply LOCTITE® 242 to curved side of cam plate near threaded hole and install cam plate into impeller housing bore, be sure holes in cam plate and housing are aligned. Apply LOCTITE® 242 to cam screw (B), install, and tighten. The cam plate should be inspected to insure that none of the cam fingers are protruding which could cause impeller damage. The cam screw should also be inspected to insure that it does not protrude below the cam plate. Replace cam plate and cam screw or grind screw flush as needed.

IMPORTANT: Petroleum based lubricants can cause the impeller to swell, and are not

recommended to lubricate the impeller before installation.

9. Lubricate impeller blades with a non-petroleum based lubricant such as silicone or soapy water. Install impeller using a twisting motion and be sure that the impeller blades are bent in the same direction as they were upon removal. Be sure that impeller is installed in same direction as removed if reusing existing impeller.
10. Rotate impeller to align keyway and slide the key in place. Install impeller end cap in end of impeller bore.
11. Using a new O-ring, install cover plate (A) onto impeller housing. Install six cap screws with washers and tighten screws evenly.
12. Reconnect all water piping, if disconnected.
13. Open sea cock and prime sea water pump with water. Start engine and check for leaks.

LOCTITE is a registered trademark of Loctite Corp.

RG19661,0000401 -19-06SEP13-2/2

RG9853 —UN—05JAN99

RG6243 —UN—23MAR92

Replacing Sea Water Pump Impeller (4045AFM85/6068AFM85)

NOTE: Sea water pump with shaft key is illustrated. Sea water pumps with a splined shaft follow the same procedure

1. Close sea cocks and drain sea water system.
2. Remove cap screws and cover plate (A) from sea water pump.

NOTE: Special impeller puller tool is provided with minor and major sea water pump rebuild kits. If tool is not available, the impeller can normally be removed by using two pair of pliers to grip impeller vanes on opposite sides of impeller. Rotating the pump shaft by hand may help free the impeller. Petroleum based lubricants can cause the impeller to swell, and are not recommended to free a stuck impeller.

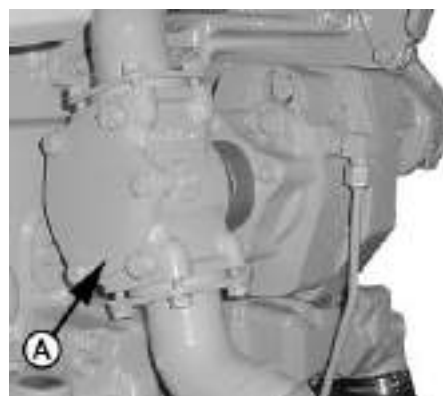
3. Remove impeller (B) and shaft key (C) (if equipped) from pump housing.
4. Remove O-ring (D).
5. Inspect cam plate (E) for evidence of heavy pitting or wear. Replace as needed.
6. Inspect impeller for damages such as tears, stress cracks, excess abrasions on vane ends, or chunks of material missing. Impellers that are run dry will overheat and fail the impeller blades at the root. Impellers that swell and stick, fail the impeller in the middle of the blade. If impeller replacement is necessary, order an impeller repair kit.

IMPORTANT: If impeller has chunks of material missing, the heat exchanger, aftercooler, marine gear oil cooler, and any other circuit that are cooled by raw water should be thoroughly cleaned and flushed.

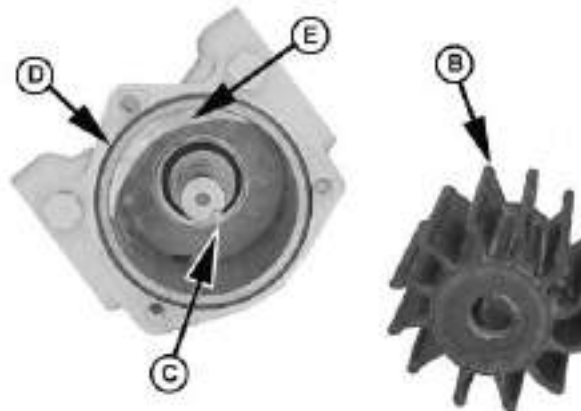
7. Install shaft key (C) (if equipped) on shaft.

IMPORTANT: Petroleum based lubricants can cause the impeller to swell, and are not recommended to lubricate the impeller before installation.

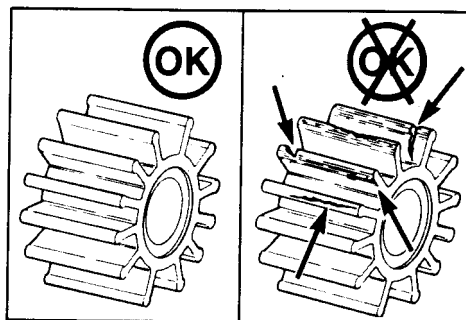
8. Lubricate new impeller blades with a non-petroleum based lubricant such as silicone or soapy water. Install impeller using a twisting motion and be sure that the impeller blades are bent in the same direction as they were upon removal to prevent damage at startup. Rotate impeller on shaft to align keyways and spines and slide the impeller onto the shaft.
9. Using a new O-ring (D), install cover plate and cap screws with washers and tighten to specifications.



Remove Cover Plate



Remove and Inspect Components



Inspect Sea Water Pump Impeller

- A—Cover Plate
- B—Impeller
- C—Shaft Key
- D—O-Ring
- E—Cam Plate

Specification

Cap Screws—Torque..... 35 N·m (26 lb.-ft.)

10. Open sea cocks, start engine, and check pump operation.

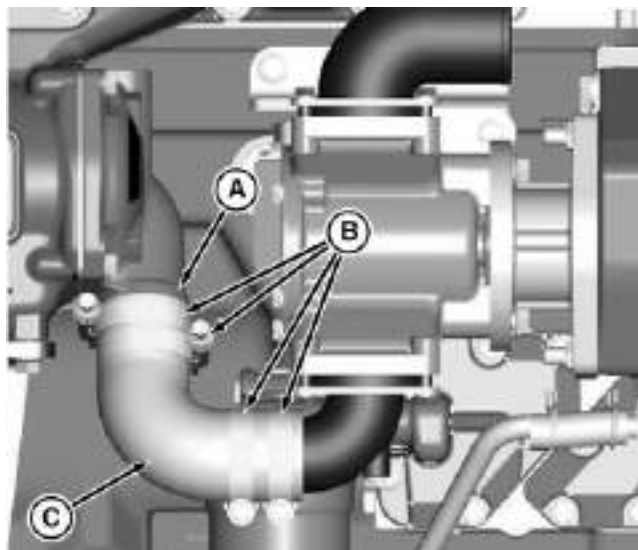
RG19661,0000402 -19-06SEP13-1/1

RG14949—UN—20JUN07

RG12189—UN—25FEB02

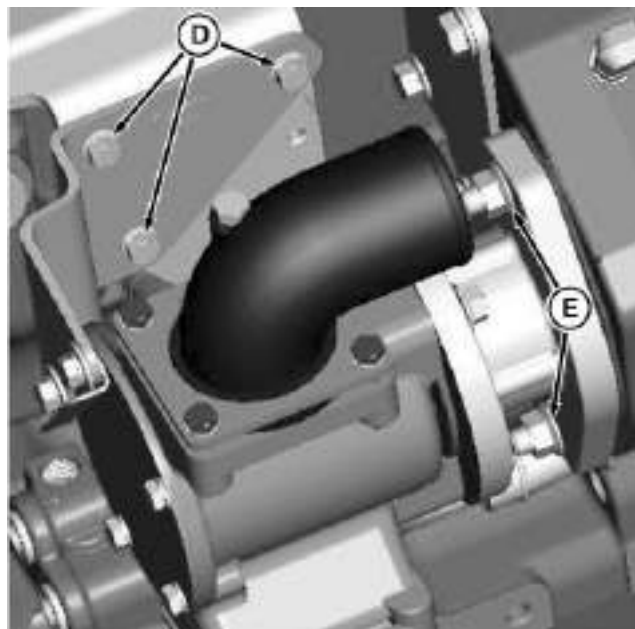
RG6243—UN—23MAR92

Replacing Sea Water Pump Impeller (6068SFM85)



RG22485 —UN—04MAR13

Remove and Install Sea Water Pump



RG22484 —UN—07MAR13

NOTE: The 6068SFM85 sea water pump must be removed to gain access to the pump impeller.

1. Close sea cock and drain sea water system.
2. Remove sea water pump inlet connection. Loosen constant tension clamps (B) on formed hose (C) that is attached to the aftercooler inlet (A).
3. Remove sea water pump bracket cap screws (D). Remove pump mounting nuts (E) and remove sea water pump (H).
4. Clean sealing surfaces and inspect for defects. Replace O-ring (G) if necessary.
5. Install sea water pump impeller.
6. Install sea water pump with O-ring on studs (F). Install nuts (E) finger tight evenly on both studs and tighten to specifications.

Specification

Nuts—Torque..... 60 N·m (44 lb.-ft.)

7. Install bracket cap screws (D) and tighten to specifications.

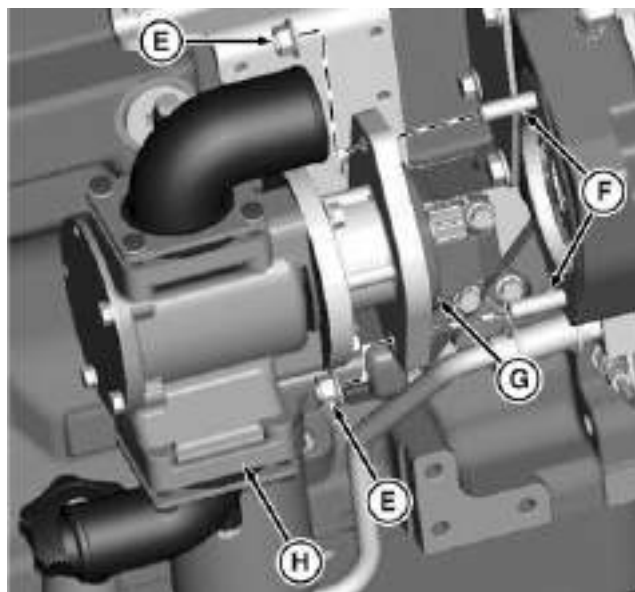
Specification

Cap Screws—Torque..... 35 N·m (26 lb.-ft.)

8. Install formed hose (C) and tighten constant tension clamps (B) to.

Specification

Clamps—Torque..... 12 N·m (106 lb.-in.)



RG22483 —UN—07MAR13

- | | |
|---------------------------|------------------|
| A—Aftercooler Inlet | E—Nuts |
| B—Constant Tension Clamps | F—Studs |
| C—Formed Hose | G—O-ring |
| D—Cap Screws | H—Sea Water Pump |

9. Connect sea water pump inlet.
10. Open sea cock, start engine, and check for leaks.

ZE59858,0000185 -19-13NOV13-1/1

Checking and Adjusting Engine Valve Clearance

CAUTION: To prevent accidental starting of engine while performing valve adjustments, always disconnect **NEGATIVE (—)** battery terminal.

IMPORTANT: Valve clearance **MUST BE** checked and adjusted with engine **COLD**.

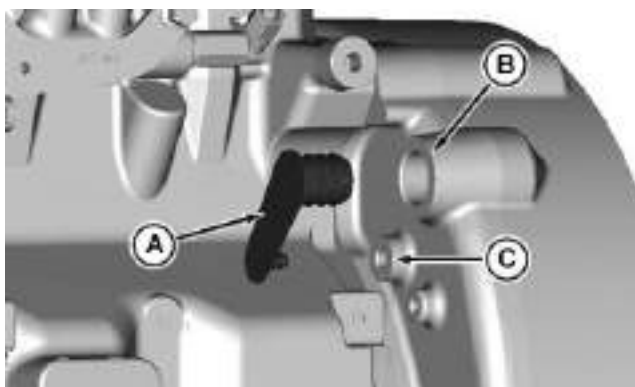
1. Disconnect wiring harness as required.
2. Disconnect crankcase ventilation tube and remove rocker arm cover.

IMPORTANT: Visually inspect contact surfaces of valve tips, bridges, and rocker arm wear pads. Check all parts for excessive wear, breakage, or cracks. Replace parts that show visible damage.

Rocker arms that exhibit excessive valve clearance should be inspected more thoroughly to identify damaged parts.

3. Remove plastic plug (A) from flywheel housing bores and install appropriate flywheel turning tool (JDG820, JDG10576, or JDE83) and JDG1571 locking pin.

NOTE: Some engines are equipped with flywheel housings which do not allow use of an engine flywheel rotation tool. These engines with straight nose crankshafts may be rotated from front nose of engine, using JDG966 Crankshaft Front/Rear Rotation Adapter.



Bores to Insert Flywheel Turning Tool and Locking Pin

A—Plastic Plug
B—Flywheel Turning Tool Bore
C—Locking Pin Bore

4. Rotate engine with the flywheel turning tool until locking pin engages timing hole in flywheel.

NOTE: If the rocker arms for No. 1 (front) cylinder are loose, the engine is at No. 1 top dead center compression.

NOTE: If the rocker arms for No. 4 (rear) cylinder are loose, the engine is at No. 4 top dead center. Rotate the engine one full revolution (360°) to No. 1 top dead center compression.

ZE59858,00002B0 -19-05DEC13-1/4

5. Loosen the nut (A) on rocker arm adjusting screw. Turn adjusting screw until feeler gauge (B) slips with a slight drag. Hold the adjusting screw from turning with screwdriver and tighten nut to specifications. Recheck clearance again after tightening nut. Readjust clearance as necessary.

Specification

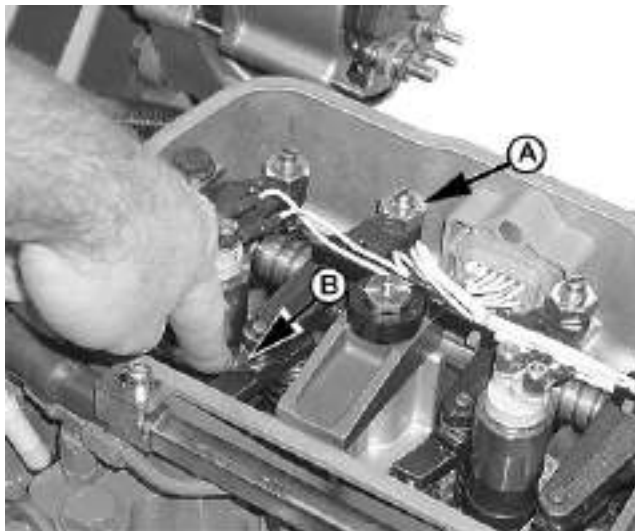
Intake Valve Clearance	
Adjustment (Engine Cold)—Clearance.....	0.36 mm (0.014 in.)
Exhaust Valve Clearance	
Adjustment (Engine Cold)—Clearance.....	0.46 mm (0.018 in.)
Rocker Arm Adjusting	
Screw Jam Nut—Torque.....	27 N·m (20 lb.-ft.)

6. Install rocker arm cover with new gasket. Tighten cap screws to specification starting in the middle, working outward.

Specification

Cap Screws—Torque.....	11 N·m (97 lb.-ft.)
------------------------	---------------------

7. Install crankcase ventilation tube.
8. Reconnect battery terminal.



Adjusting Valves

A—Adjusting Screw Jam Nut
B—Feeler Gauge

Continued on next page

ZE59858,00002B0 -19-05DEC13-2/4

RG20536 —UN—03JUN11

RG13809 —UN—07DEC04

4-Cylinder Engine

NOTE: Firing order is 1-3-4-2.

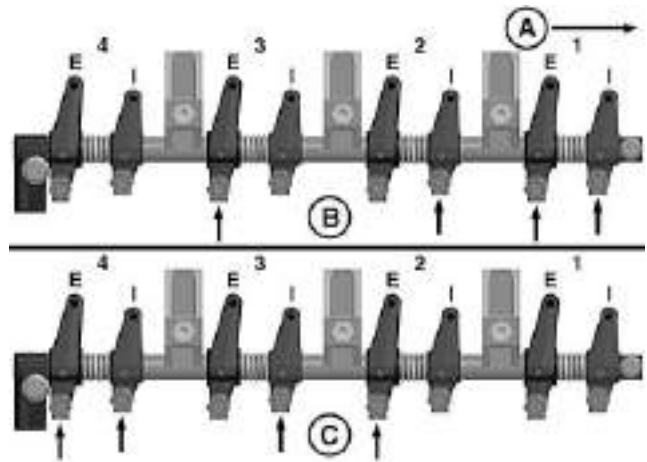
Lock No. 1 piston at TDC compression stroke (B).

Adjust valve clearance on No. 1 and 3 exhaust valves and No. 1 and 2 intake valves.

Rotate flywheel 360°. Lock No. 4 piston at TDC compression stroke (C).

Adjust valve clearance on No. 2 and 4 exhaust valves and No. 3 and 4 intake valves.

- | | |
|--------------------------------------------------|-------------------------|
| A —Front of Engine | E —Exhaust Valve |
| B —No. 1 Piston at TDC Compression Stroke | I — Intake Valve |
| C —No. 4 Piston at TDC Compression Stroke | |



4-Cylinder Engine Valve Adjustment

RG22378 —UN—28JAN13

ZE59858,00002B0 -19-05DEC13-3/4

6-Cylinder Engine:

NOTE: Firing order is 1-5-3-6-2-4.

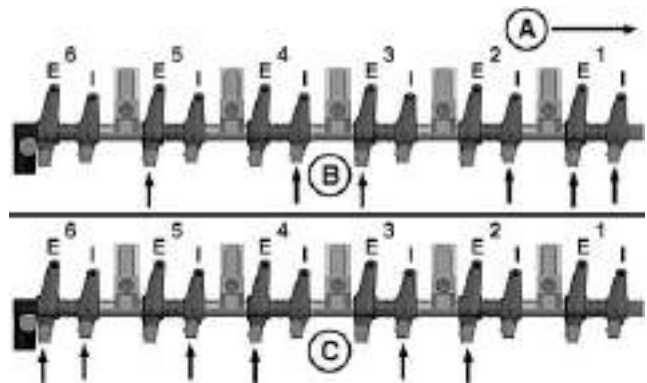
Lock No. 1 piston at TDC compression stroke (B).

Adjust valve clearance on No. 1, 3 and 5 exhaust valves and No. 1, 2, and 4 intake valves.

Turn crankshaft 360°. Lock No. 6 piston at TDC compression stroke (C).

Adjust valve clearance on No. 2, 4 and 6 exhaust valves and No. 3, 5, and 6 intake valves.

- | | |
|----------------------------------------|-------------------------|
| A —Front of Engine | E —Exhaust Valve |
| B —No. 1 Piston TDC Compression | I — Intake Valve |
| C —No. 6 Piston TDC Compression | |



6-cylinder Engine Valve Adjustment

RG22377 —UN—28JAN13

ZE59858,00002B0 -19-05DEC13-4/4

Checking Crankshaft Vibration Damper (If Equipped)

IMPORTANT: Crankshaft vibration damper is not repairable. For engines equipped with elastomeric crankshaft vibration damper replace every 4500 hours or 60 months, whichever comes first. For engines equipped with viscous crankshaft vibration damper replace at major engine overhaul. Also replace viscous crankshaft vibration damper when short block, complete block, or remanufactured basic engine is installed.

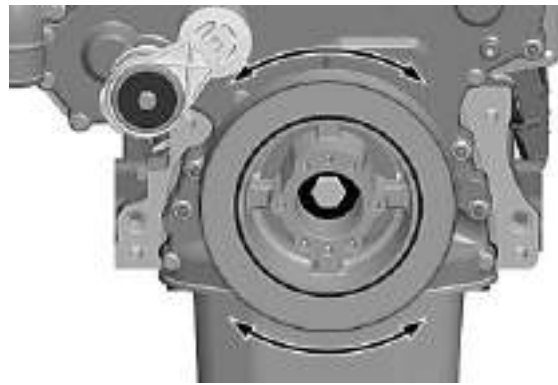
NOTE: Checking procedure only applies to elastomeric crankshaft vibration damper.

1. Remove belts (shown removed).
2. If elastomeric material is separated, partially missing, or has any visible inconsistency, replace crankshaft vibration damper.
3. Check crankshaft vibration damper radial runout (concentricity) by positioning dial indicator so probe contacts crankshaft vibration damper outer diameter.
4. With engine at operating temperature, rotate crankshaft using JDE83 or JDE81-1 flywheel turning tool.
5. Note dial indicator reading. If runout (concentricity) exceeds specification, replace crankshaft vibration damper.

Specification

Crankshaft Vibration Damper—Maximum Radial Runout.....	1.50 mm (0.060 in)
--------------------------------------------------------	--------------------

6. Check crankshaft vibration damper end play by positioning dial indicator so probe contacts front



Crankshaft Vibration Damper



Check Runout

of crankshaft vibration damper. Compare with specification. Replace as necessary.

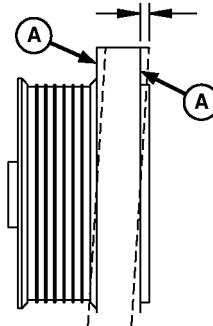
Specification

Crankshaft Vibration Damper—End Play.....	0.03—0.36 mm (0.001—0.014 in)
-------------------------------------------	-------------------------------

7. Check crankshaft vibration damper axial runout using dial indicator. Measure axial runout at the outer edges of crankshaft vibration damper face (A).
8. Rotate crankshaft one complete revolution using JDE83 or JDE81-1 flywheel turning tool and note total dial indicator movement. Compare with specification.

Specification

Crankshaft Vibration Damper Pulley Outer Ring—Wobble (Maximum).....	0.76 mm (0.030 in)
---------------------------------------------------------------------	--------------------



A—Crankshaft Vibration Damper Wobble

RG19046—UN—23AUG10

RG7508—UN—23NOV97

ZE59858,0000182 -19-02NOV15-1/2

RG9053—UN—16MAR98

ZE59858,0000182 -19-02NOV15-2/2

Inspecting and Repairing Sea Water Pump (4045TFM85)

NOTE: Sea water pump may have two more mounting cap screws than illustrated. Removal and installation procedures are unchanged.

1. Close sea cock and drain sea water system, if not previously done.
2. Remove water inlet tube (shown removed) and outlet tube (A) from sea water pump.
3. Remove cap screws (B) attaching sea water pump to gear housing. Withdraw pump from housing until splined shaft (C) is free from splined drive gear ID (D).
4. Clean all gasket material from both mating surfaces.
5. Install pump overhaul kit.
6. Position a new gasket on water pump mounting flange. Install splined pump shaft in splined ID of drive gear.
7. Align mounting holes in water pump flange and gasket with threaded holes in gear housing. Install cap screws with washers and tighten cap screws to specifications.

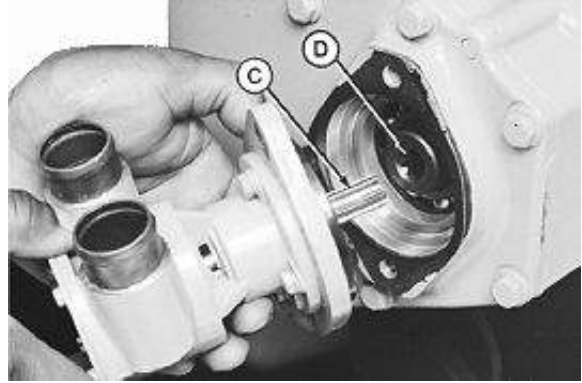
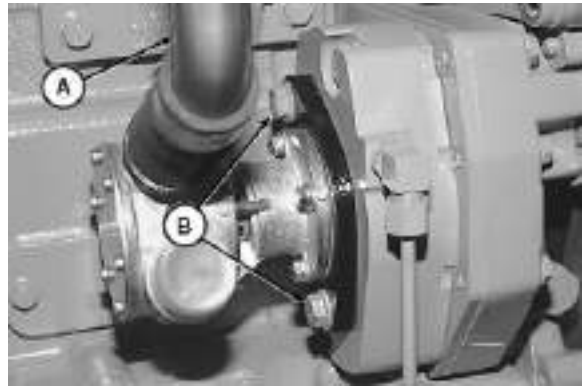
Specification

Cap Screws—Torque..... 47 N·m (35 lb.-ft.)

8. Connect water piping and tighten clamps.
9. Open sea cock, start engine, and check for leaks.

A—Outlet Tube
B—Mounting Screws

C—Splined Shaft
D—Drive Gear Splined ID



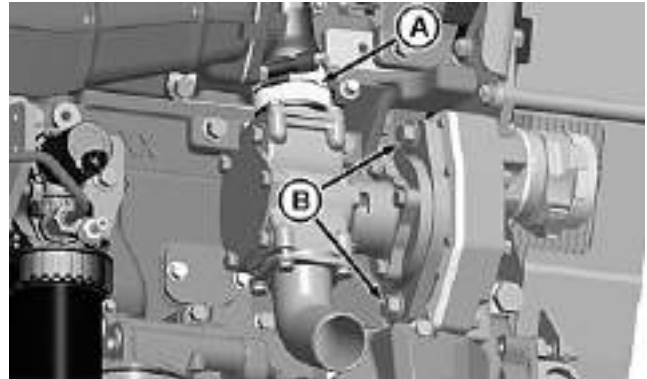
RG9861 —UN—06JAN99

RG9864 —UN—06JAN99

RG19661.00003FE -19-08NOV13-1/1

Inspecting and Repairing Sea Water Pump (4045AFM85/6068AFM85)

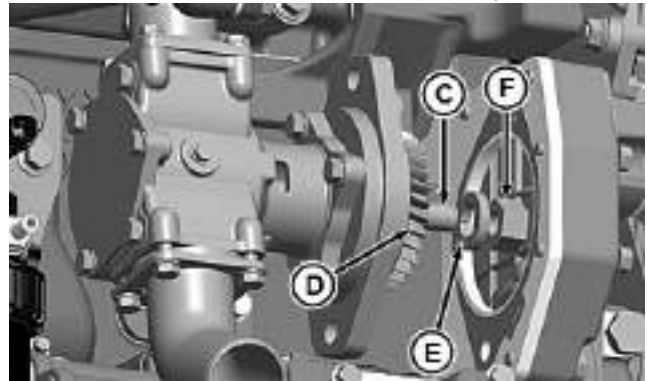
1. Close sea cock and drain sea water system.
2. Remove sea water outlet connection (A), remove sea water pump cap screws (B) and remove pump.
3. Clean all gasket material from both mating surfaces.
4. Inspect gear teeth for damage. Install new gear (D) by aligning key (C) to the pump shaft keyway.
5. Install pump overhaul kit.
6. Install lock washer (E) and hex nut (F) finger tight and insure key is properly in place.
7. Tighten hex nut to specifications.



Remove and Install Sea Water Pump

- Specification**
- Hex Nut—Torque..... 68 N·m (50 lb.-ft.)
8. Install sea water pump with new gasket to front plate and tighten cap screws (B) to specifications.

- Specification**
- Cap Screws—Torque..... 140 N·m (103 lb.-ft.)
9. Connect sea water inlet and outlet.
 10. Open sea cock, start engine, and check for leaks.



Sea Water Pump Drive Gear

A—Sea Water Outlet
B—Cap Screws
C—Key

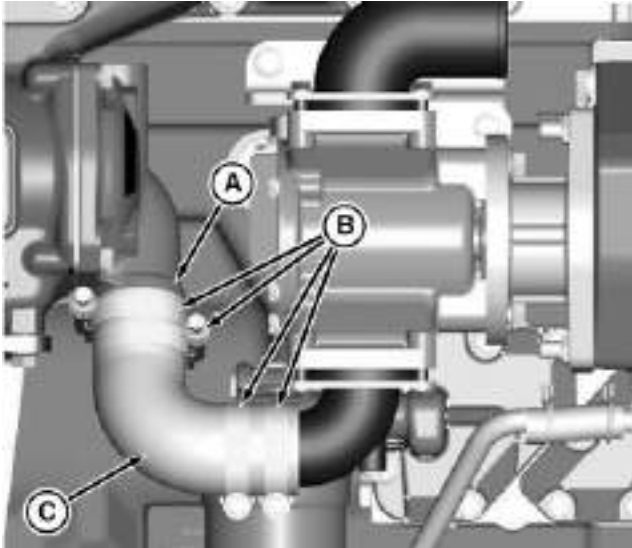
D—Gear
E—Lock Washer
F—Hex Nut

RG22172—UN—10DEC12

RG22173—UN—10DEC12

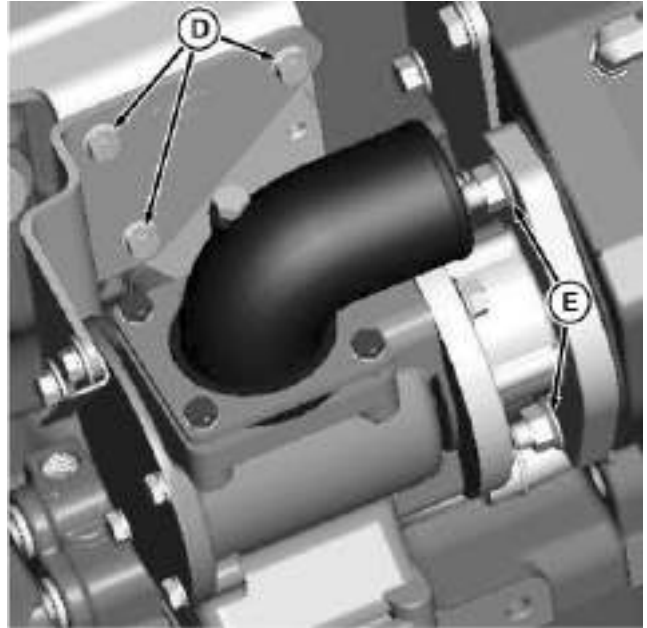
RG19661,00003FF -19-08NOV13-1/1

Inspecting and Repairing Sea Water Pump (6068SFM85)



Remove and Install Sea Water Pump

RG22485 —UN—04MAR13



RG22484 —UN—07MAR13

1. Close sea cock and drain sea water system.
2. Remove sea water pump inlet connection. Loosen constant tension clamps (B) on formed hose (C) that is attached to the aftercooler inlet (A).
3. Remove sea water pump bracket cap screws (D). Remove pump mounting nuts (E) and remove sea water pump (H).
4. Clean sealing surfaces and inspect for defects. Replace O-ring (G) if necessary.
5. Install pump overhaul kit.
6. Install sea water pump with O-ring on studs (F). Install nuts (E) finger tight evenly on both studs and tighten to specifications.

Specification

Nuts—Torque..... 60 N·m (44 lb.-ft.)

7. Install bracket cap screws (D) and tighten to specifications.

Specification

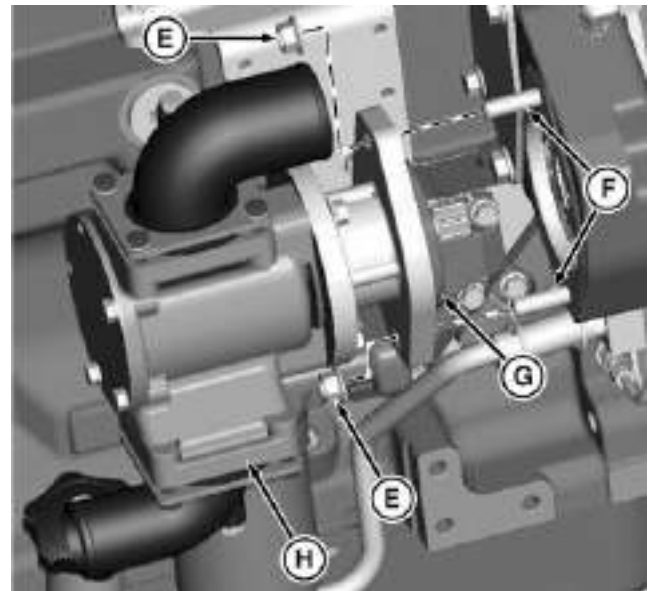
Cap Screws—Torque..... 35 N·m (26 lb.-ft.)

8. Install formed hose (C) and tighten constant tension clamps (B) to.

Specification

Clamps—Torque..... 12 N·m (106 lb.-in.)

9. Connect sea water pump inlet.



RG22483 —UN—07MAR13

- | | |
|---------------------------|------------------|
| A—Aftercooler Inlet | E—Nuts |
| B—Constant Tension Clamps | F—Studs |
| C—Formed Hose | G—O-ring |
| D—Cap Screws | H—Sea Water Pump |

10. Open sea cock, start engine, and check for leaks.

RG19661,0000404 -19-13NOV13-1/1

Flushing And Refilling Cooling System

⚠ CAUTION: Explosive release of fluids from pressurized cooling system can cause serious burns.

Shut off engine. Only remove filler cap when cool enough to touch with bare hands. Slowly loosen cap to first stop to relieve pressure before removing completely.

NOTE: If a coolant other than COOL-GARD II or COOL-GARD II PG is used, reduce the drain interval to 2 years or 2000 hours of operation.

Drain old coolant, flush the entire cooling system, test thermostats, and fill with recommended clean coolant using the following procedure.

1. Pressure test entire cooling system and pressure cap if not previously done. See [Pressure Testing Cooling System](#) in the Lubrication & Maintenance — 500 Hours/12 Months Section.
2. Slowly open the cap on the top tank (A and B) or heat exchanger to relieve pressure and allow coolant to drain faster.

A—Top Tank Cap



High-Pressure Fluids



Engine Top Tank

Continued on next page

ZE59858,0000250 -19-11NOV13-1/2

TS281—UN—15APR13

RG22040—UN—28NOV12

3. Open engine block drain valve (A) on left side of engine. Drain all coolant from engine block.
4. Open heat exchanger or top tank drain valve. Drain all coolant from heat exchanger or top tank.
5. Remove thermostats at this time, if not previously done. Install cover (without thermostats) using old gasket and tighten cap screws to specifications. See [Removing and Installing Thermostats](#) in the Lubrication & Maintenance — 6000 Hours/72 Months Section.
6. Test thermostat opening temperature. See [Testing Thermostats](#) in the Lubrication & Maintenance — 6000 Hours/72 Months.
7. Close all drain valves after coolant has drained.

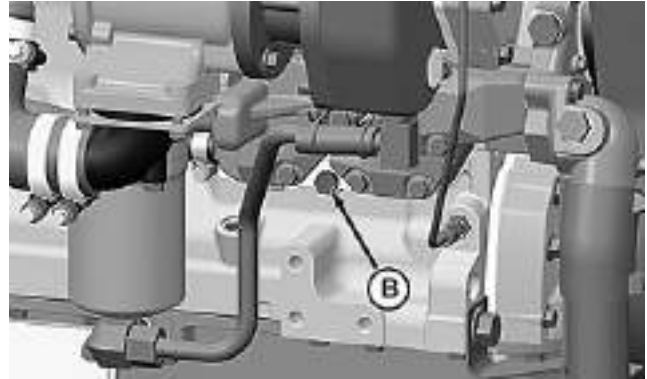
CAUTION: Do not run engine longer than 10 minutes. Doing so may cause engine to overheat, causing burns when cooling system is draining.

8. Fill the cooling system with clean water. Run the engine about 10 minutes to stir up possible rust or sediment.
9. Stop engine, pull off lower cooling system hose and remove heat exchanger or top tank cap. Immediately drain the water from system before rust and sediment settle.
10. After draining water, close drain valves. Reinstall cap, lower cooling system hose, and clamp. Fill the cooling system with clean water and a heavy duty cooling system cleaner such as Fleetguard® RESTORE™ and RESTORE PLUS™.
11. After cleaning the cooling system, drain cleaner and fill with water to flush the system. Run the engine about 10 minutes, remove heat exchanger or top tank cap and pull off lower cooling system hose to drain out flushing water.
12. Close all drain valves. Reinstall hoses and tighten clamps securely. Install thermostats using a new gasket. See [Removing and Installing Thermostats](#) in the Lubrication & Maintenance — 6000 Hours/72 Months Section.

*Fleetguard is a trademark of Cummins Engine Company, Inc.
RESTORE is a trademark of Fleetguard.
RESTORE PLUS is a trademark of Fleetguard.*



Left Engine Block Drain Valve



Right Engine Block Drain Valve

A—Engine Block Drain Valve

13. Refill with fresh coolant until coolant touches bottom of filler neck. See [Adding Coolant](#) in the Service As Required Section. Install heat exchanger or top tank cap.
14. Run engine until it reaches operating temperature. This mixes the solution uniformly and circulates it through the entire system. See the Specifications section for engine coolant operating range.
15. After running engine, check coolant level and entire cooling system for leaks.

RG24317—UN—05SEP13

RG24318—UN—05SEP13

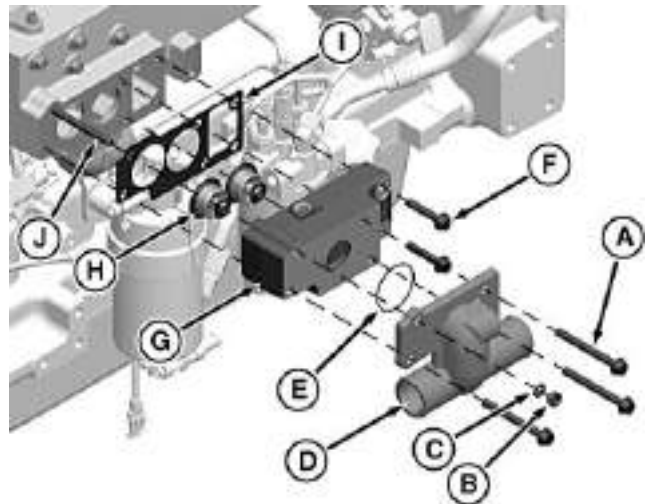
ZE59858,0000250 -19-11NOV13-2/2

Removing and Installing Thermostats

CAUTION: Explosive release of fluids from pressurized cooling system can cause serious burns.

Shut off engine. Only remove filler cap when cool enough to touch with bare hands. Slowly loosen cap to first stop to relieve pressure before removing completely. **DO NOT** drain coolant until it has reached ambient temperature.

1. Visually inspect area around thermostat housing and cover for leaks.
2. Remove coolant tank pressure cap and partially drain coolant system.
3. Remove cap screws (A), nut (B) and washer (C) attaching coolant cover (D) with sealing O-ring (E) to the thermostat housing (G) and exhaust manifold.
4. Remove cap screws (F) attaching thermostat housing to the exhaust manifold.
5. Remove thermostat housing with gasket (I). Remove and discard all gasket material. Clean all sealing surfaces.
6. Inspect and test thermostats for proper opening temperature.
7. Install thermostats with a new gasket and pilot housing on stud (J). Install thermostat housing cap screws finger tight.
8. Inspect thermostat cover sealing O-ring and replace if necessary. Install thermostat cover with O-ring, cap



RG22482—UN—04MAR13

Remove and Install Thermostats

- | | |
|---------------------------------|-----------------------------------|
| A—Cap Screws (Thermostat Cover) | F—Cap Screws (Thermostat Housing) |
| B—Nut | G—Thermostat Housing |
| C—Washer | H—Thermostats |
| D—Thermostat Cover | I— Gasket |
| E—O-ring | J— Stud |

screws, washer, and nut. Tighten nut and all cap screws to specifications.

Specification

Cap Screws—Torque..... 35 N·m (25 lb.-ft.)

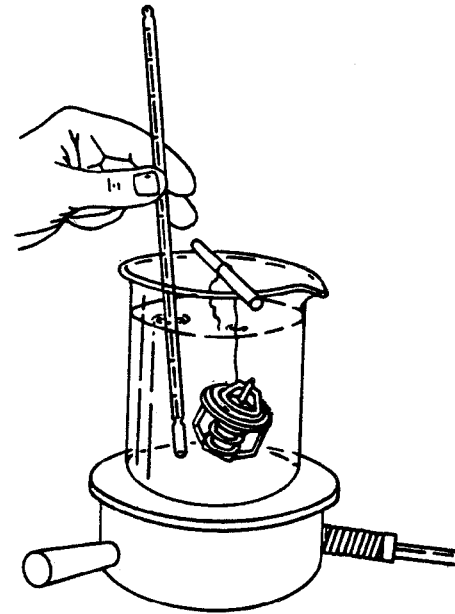
ZE59858,0000251 -19-21OCT13-1/1

Testing Thermostats

1. Remove thermostats. See Removing and Installing Thermostats in the Lubrication & Maintenance — 6000 Hours/72 Months Section.
2. Visually inspect thermostats for corrosion or damage. Replace thermostats as a matched set as necessary.
3. Inspect thermostat with wiggle wire in vent notch. If wire movement is restricted, replace thermostat if cleaning does not free movement.

CAUTION: DO NOT allow thermostat or thermometer to rest against the side or bottom of container when heating water. Either may rupture if overheated.

4. Suspend thermostats and a thermometer in a container of water.
5. Stir the water as it heats. Observe opening action of thermostat and compare temperatures with specifications. See General Marine Engine Specifications in the Specification Section.
6. Remove thermostat and observe its closing action as it cools. In ambient air the thermostat should close completely. Closing action should be smooth and slow.



Thermostat And Thermometer In Water

7. If any one thermostat is defective, replace both thermostats.

ZE59858.0000252 -19-30OCT13-1/1

RG5971 —UN—23NOV/97

Service As Required

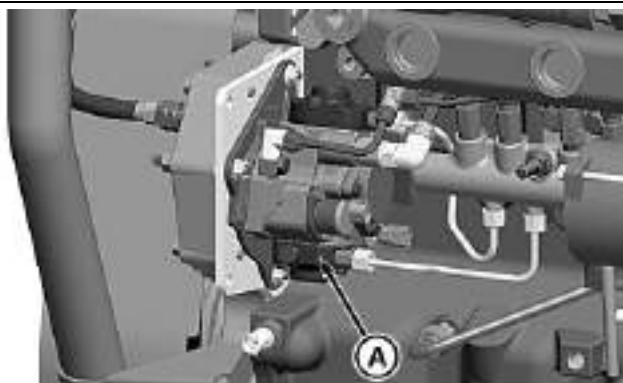
Do Not Modify Fuel System

IMPORTANT: Modification or alteration of the high-pressure fuel pump, the injection pump timing, or the fuel injectors in ways not recommended by the manufacturer will terminate the warranty obligation to the purchaser.

In addition, tampering with fuel system which alters emission-related equipment on engines may result in fines or other penalties, per EPA regulations or other local emission laws.

Do not attempt to service high-pressure fuel pump or fuel injectors yourself. Special training and special tools are required. See your authorized servicing dealer or engine distributor.

IMPORTANT: Never steam clean or pour cold water on a high-pressure fuel pump while it is still warm. To do so may cause seizure of pump parts.



A—High-Pressure Fuel Pump

RG22161—UN—06DEC12

RG19661,00003C1 -19-08NOV13-1/1

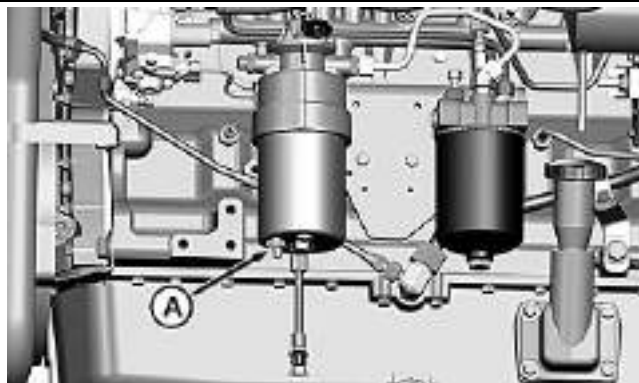
Draining Water From Fuel Filters

IMPORTANT: When using BIODIESEL blends, monitor water quantity more closely in the fuel filter element. Water in the filter separator may need to be drained more frequently.

If instrument panel provides a water in fuel warning, drain water or debris from filter using the following steps.

1. Loosen thumb screw (A) and drain water and debris into a suitable container. Tighten thumb screw.
2. Dispose of water and debris in an environmentally safe manner.

A—Thumb Screw



Drain Fuel Filter

RG24313—UN—05SEP13

ZE59858,0000187 -19-20SEP13-1/1

Adding Coolant

CAUTION: Explosive release of fluids from pressurized cooling system can cause serious burns.

Shut off engine. Only remove filler cap when cool enough to touch with bare hands. Slowly loosen cap to first stop to relieve pressure before removing completely.

IMPORTANT: Never pour cold liquid into a hot engine, as it may crack cylinder head or block. **DO NOT** operate engine without coolant for even a few minutes.

John Deere Cooling System Sealer may be added to the cooling system to stop leaks. **DO NOT** use any other stop-leak additives in the cooling system.

Air must be expelled from cooling system when coolant is added.

1. Loosen temperature sending unit fitting at rear of cylinder head or plug in side of thermostat housing to allow air to escape when filling system.

IMPORTANT: When adding coolant to the system, use the appropriate coolant solution. See [Diesel](#)



High-Pressure Fluids

Engine Coolant (engine with wet sleeve cylinder liners) in the Fuels, Lubricants, and Coolant Section for mixing of coolant ingredients before adding to cooling system.

Do not overfill cooling system. A pressurized system needs space for heat expansion without overflowing at top of coolant tank.

2. Fill until coolant level touches bottom of coolant tank filler neck.
3. Tighten plugs and fittings when air has been expelled from system.

RG, RG34710, 5593 -19-29OCT13-1/1

TS281—UN—15APR13

Pre-Start Cleaning Guide

IMPORTANT: Before cleaning machine, allow ample time for hot surfaces to cool.

IMPORTANT: Do not direct high-pressure spray from hose output directly at or close to electrical connections and sensors.

Rigorous cleaning as needed is recommended. Clean more frequently during heavy machine use, and when weather conditions are dry.

- Check enclosed areas daily. Clean the engine and other enclosed areas of equipment to remove debris and any buildup of oil and grease. Keep the engine and engine compartment free of combustible material.
- Check for debris buildup daily on and around intake systems, exhaust systems, and intercooler piping systems. Verify that there are no holes or leaks in intake or exhaust systems. Do not allow debris to build up near hot exhaust components. Verify that hot exhaust components are cleaned as often as environmental conditions require.
- Inspect cooling system daily to determine whether cooling system needs cleaning. Visible buildup of residue that blocks airflow may degrade machine performance and requires more frequent cleaning depending on environmental conditions.

- Inspect difficult to observe areas daily as conditions may require additional cleaning care to remove debris.
- Check for oil and fuel leaks daily. Replace or repair any sources of leaks, including gaskets, seals, breather tubes, fittings, and fluid lines.

Maintenance and Service Reminders

- Keep surfaces free of grease and oil.
- Clean up after hydraulic and other fluid leaks.
- Fuel Lines — Check for leaks, cracks, and kinks that require service before use.
- Fuel Pumps — Check fittings, especially compression ring couplings, for cracks and leaks.
- Fuel Injectors — Check pressure and return lines for signs of leaks.
- When servicing fuel filter or draining water separator, avoid fuel spills. Immediately clean up any fuel spill.
- Handle transmission and power steering fluids with care. Immediately clean up any spills, especially around fill points.
- Check for transmission case venting system seepage, transmission case leakage, power steering cylinder leakage, or power steering line leakage.
- Check for loose electrical connectors, damaged wiring, corrosion, and poor connections.

ZE59858, 0000009 -19-20MAY13-1/1

Servicing Air Cleaner Filter Element

IMPORTANT: Always service primary air cleaner element when air filter restriction indicator shows a vacuum of 625 mm (25 in.) H₂O, or when reset button has popped up. Also replace element if it is torn, or visibly dirty.

NOTE: This procedure applies to John Deere air cleaner kits. Refer to manufacturers' instructions for servicing air cleaners not supplied by John Deere.

1. Loosen clamp and remove filter element.

IMPORTANT: Replace filter element after 10 cleanings.

2. Tap end of filter GENTLY on hard surface to dislodge loose dirt.
3. Brush dirt side of filter GENTLY with soft bristle brush.

IMPORTANT: DO NOT clean element with gasoline, solvents, parts cleaners, strong detergents, or caustic cleaning solutions. DO NOT steam clean or use high-pressure washers to clean element. These processes will damage filter media and/or rubber base or end cap.

4. Spray air filter cleaner liberally onto entire element. Let soak into filter media for 10 minutes.
5. Rinse filter with low-pressure water, flushing opposite the direction of air flow (from clean side to dirty side).

IMPORTANT: Let element dry at room temperature. Compressed air will damage filter media. Heat will shrink filter media and may damage rubber base or end cap.

6. Shake off excess water and let the element dry at room temperature.

IMPORTANT: Never put filter in service without oiling it. The filter will not function properly without being oiled with oil provided in kit.

Do not use automatic transmission fluid, motor oil, diesel fuel, or any type light-weight spray lubricant. These products will damage filter or degrade its performance.

NOTE: Red dye is added to oil to show areas of oil application.



Remove Filter Element

A—Air Filter Restriction Indicator Button

7. Spray air filter oil from squeeze bottle in kit from distance of 25 cm (10 in.) onto a group of pleats until the pleats become reddish in color. Respray any areas that are still white 10 minutes after initial application.
 8. Install filter and tighten clamp.
- IMPORTANT:** Whenever the air cleaner has been serviced, ALWAYS fully depress the air filter restriction indicator reset button (if equipped) to assure accurate readings.
9. If equipped, fully depress air filter restriction indicator reset button (A) and release to reset indicator.

ZE59858,0000183 -19-11NOV13-1/1

RG9927—UN—18NOV99

RG9926—UN—18NOV99

Replacing Air Cleaner Filter Element

IMPORTANT: ALWAYS REPLACE primary air cleaner element when air filter restriction indicator (A) shows vacuum of 625 mm (25 in.) H₂O, or when reset button has popped up (if equipped). Also replace element if it is torn, or visibly dirty.

1. Release air filter assembly clamps (A) and remove cover.

IMPORTANT: Insure all air intake connections are secure to prevent ingestion of abrasive dirt and dust into the system, causing possible engine damage.

2. Install new air filter element (B), install cover and engage clamps.



Replace Air Filter Element

A—Air Filter Assembly Clamps B—Air Filter Element

RG19661,00003F5 -19-08NOV13-1/1

RG22155—UN—21FEB13

Replacing Alternator Belt

See [Checking Belt Tensioner Spring Tension and Belt Wear](#) in Lubrication & Maintenance — 500 Hours/12 Months Section for additional information on the belt tensioner.

CAUTION: Belt guard should be in place at all times when engine is running.

NOTE: While belt is removed, inspect pulleys and bearings. Rotate and feel for hard turning or any unusual sounds. If pulleys or bearings need replacement, see your John Deere dealer.

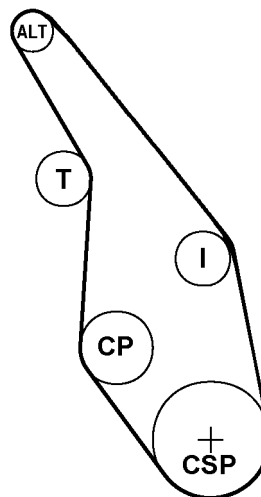
1. Remove cap screws (A) and carefully remove belt guard from engine.
2. Release tension on belt using a breaker bar and socket on tension arm and remove poly-vee belt from pulleys.
3. Inspect belts for cracks, fraying, or stretched out areas. Replace if necessary.
4. Install new belt, making sure that belt is correctly seated in all pulley grooves. Refer to belt routing at right.
5. Apply tension to belt with tensioner. Remove socket.
6. Start engine and check belt alignment.

A—Cap Screws
ALT—Alternator
CSP—Crankshaft Pulley

I—Idler Pulley
T—Tensioner
CP—Coolant Pump



Remove Belt Guard



Belt Routing

RG19661,00003F4 -19-20SEP13-1/1

RG22162—UN—06DEC12

RG12077—UN—26FEB02

Checking Fuses

Check the following fuses located in the control panel wiring harness. Replace defective fuses.

- Control Panel fuse — 30 amp

- ECU Power fuse — 20 amp
- Low-Pressure Fuel Pump fuse — 15 amp

See Electronically Controlled Engine Electrical System Layouts in the Troubleshooting Section.

ZE59858.000028D -19-08NOV13-1/1

Bleeding Fuel System

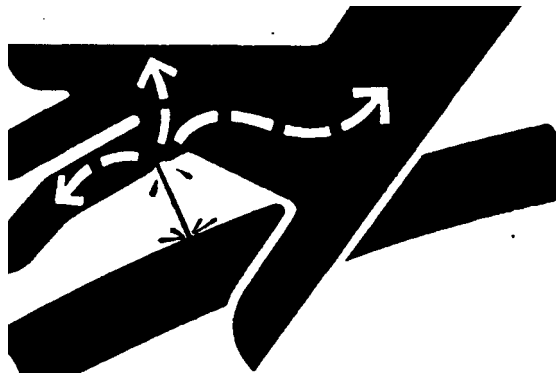
CAUTION: High-pressure fluid remaining in fuel lines can cause serious injury. Do not disconnect or attempt repair of fuel lines, sensors, or any other components between the high-pressure fuel pump and nozzles on engines with High-Pressure Common-Rail (HPCR) fuel system. Only technicians familiar with this type of system can perform repairs. (See your John Deere dealer.)

Escaping fluid under pressure can penetrate the skin causing serious injury. Avoid hazards by relieving pressure before disconnecting hydraulic or other lines. Tighten all connections before applying pressure. Search for leaks with a piece of cardboard. Protect hands and body from high-pressure fluids.

If an accident occurs, see a doctor immediately. Any fluid injected into the skin must be surgically removed within a few hours or gangrene may result. Doctors unfamiliar with this type of injury may call the Deere & Company Medical Department in Moline, Illinois, or other knowledgeable medical source.

IMPORTANT: Four-valve cylinder head engines are especially sensitive to fuel contamination. Do not crack any fuel lines to bleed the fuel system.

Bleed the fuel system anytime the system has been opened. This includes:



High-Pressure Fluids

- After fuel filter changes.
- Anytime fuel lines have been disconnected.
- After engine has run out of fuel.
- After pump or nozzle replacement.

Bleeding Fuel System — 4045AFM85, 6068AFM85, and 6068SFM85

4045AFM85, 6068AFM85, and 6068SFM85 engines have an electric fuel pump

If engine will not start after filter changes, turn ignition key ON for 60 seconds to prime the fuel system. It may be necessary to turn the key off and on again to reprime the system before starting.

X9811—UN—23AUG88

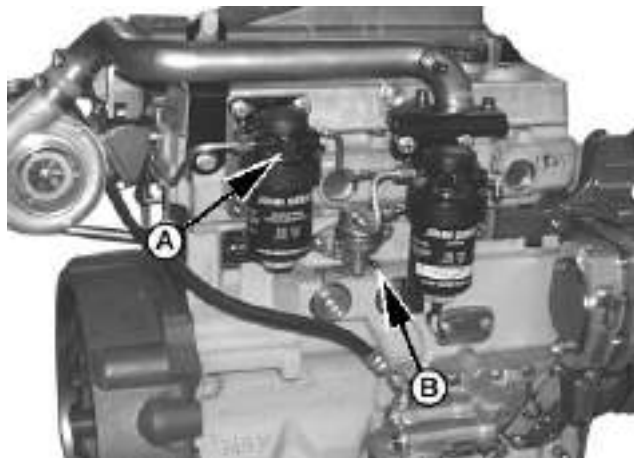
RG19661.00003FD -19-13DEC13-1/2

Bleeding Fuel System — 4045TFM85

1. Turn ignition key ON.
2. Loosen the air bleed vent screw (A) two full turns by hand on fuel filter base.
3. Operate supply pump primer lever (B) until fuel flow is free from air bubbles.
4. Tighten bleed plug securely, continue operating hand primer until pumping action is not felt. Leave hand primer in the up position, away from the cylinder block.
5. Start engine and check for leaks.

A—Bleed Vent Screw

B—Primer Lever



Bleed Fuel System At Filter

RG13346—UN—25NOV03

RG19661.00003FD -19-13DEC13-2/2

Troubleshooting

General Troubleshooting Information

Troubleshooting engine problems can be difficult. Engine wiring diagrams are provided in this section to help isolate electrical problems on engines using John Deere wiring harness and instrument (gauge) panel.

Later in this section is a list of possible engine problems that may be encountered, accompanied by possible causes and corrections. The illustrated diagrams and troubleshooting information are of a general nature; final design of the overall system for your engine application may be different. See your engine distributor or servicing dealer if you are in doubt.

For Electronically Controlled Engines: The Engine Control Unit (ECU) has the ability to detect problems internally and in the electronic control system. This includes determining if any of the sensor input voltages are too high or too low, if the camshaft and crankshaft position sensor inputs are valid, and if the unit injector solenoids are responding properly.

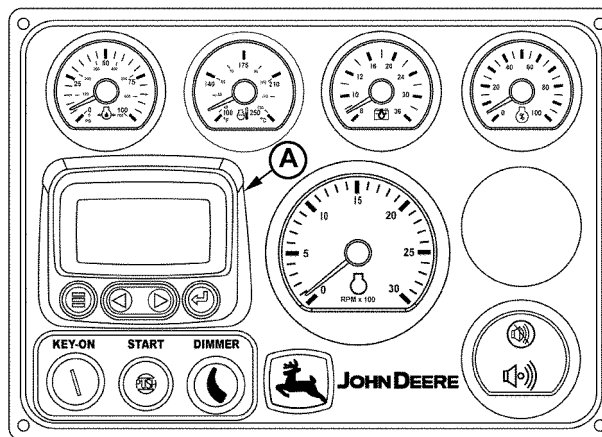
If the ECU detects a problem with the electronic control system a Diagnostic Trouble Code (DTC) specific to the failed system will be stored in the ECU's memory.

There are two types of DTCs:

- Active
- Inactive (Stored)

Active DTCs indicate that the failure is occurring. These type of failures are sometimes called "hard" failures. They can be accessed on the diagnostic gauge (A) on the instrument panel.

Inactive or stored DTCs indicate that a failure has occurred in the past, but is not currently occurring. This type of "stored" DTC can be caused by an "intermittent" failure.



Diagnostic Gauge

**A—Diagnostic Gauge -
Electronically Controlled
Engine**

These could be problems such as a bad connection or a wire intermittently shorting to ground.

To access DTC's with the diagnostic gauge (A), see section 15 of this manual.

If a sensor or wiring fails and a DTC is active for the sensor, the ECU will use a substitute "limp home" value in its calculations to continue engine operation.

A list of DTCs is given later in this section with a description of each. Contact your engine servicing dealer to correct any DTCs which are displayed on the instrument panel.

OUOD006,00000F8 -19-25SEP07-1/1

RG13140—UN—07OCT03

Precautions for Welding

Remove paint before welding or heating (see Safety Section in this manual for more information on paint removal and high-pressure lines).

CAUTION: Avoid potentially toxic fumes and dust. Hazardous fumes can be generated when paint is heated by welding, soldering, or using a torch. Do all work outside or in a well ventilated area. Dispose of paint and solvent properly. If you sand or grind paint, avoid breathing the dust by wearing an approved respirator. If you use solvent or paint stripper, remove with soap and water before welding. Remove solvent or paint stripper containers and other flammable material from area before welding. Allow fumes to disperse at least 15 minutes before welding or heating.

IMPORTANT: Welding on the engine is **NOT ALLOWED**. If welding must be performed on the machine, follow these precautions.

IMPORTANT: High currents or electrostatic discharge into electronic components from welding may cause permanent damage.

1. Remove paint from the area to be welded and ground cable clamp location.
2. Disconnect the negative (-) battery cable(s) or open battery (-) switch if equipped.



TS953—UN—15MAY90

3. Disconnect the positive (+) battery cable(s) or open battery (+) switch if equipped.
4. Clear or move any wiring harness sections away from the welding area.
5. Welding on engine components is not allowed.
6. Never connect the welder ground to any engine component or engine driven components that may be connected to the engine.
7. After welding, reverse steps 2—3.

DX,WELDING,PRECAUTIONS -19-06DEC10-1/1

Precautions For Welding On Vessels Equipped With Electronic Engine Control Unit (ECU)

IMPORTANT: ALWAYS disconnect Electronic Control Unit (ECU) connectors and engine control system-to-vessel ground before welding. High currents or electro-static discharge in electronic components from welding may cause permanent damage.

1. Remove the ground connection for the engine control system-to-vessel frame.
2. Disconnect the connectors from the ECU.
3. Connect the welder ground close to the welding point and be sure ECU or other electronic components are not in the ground path.

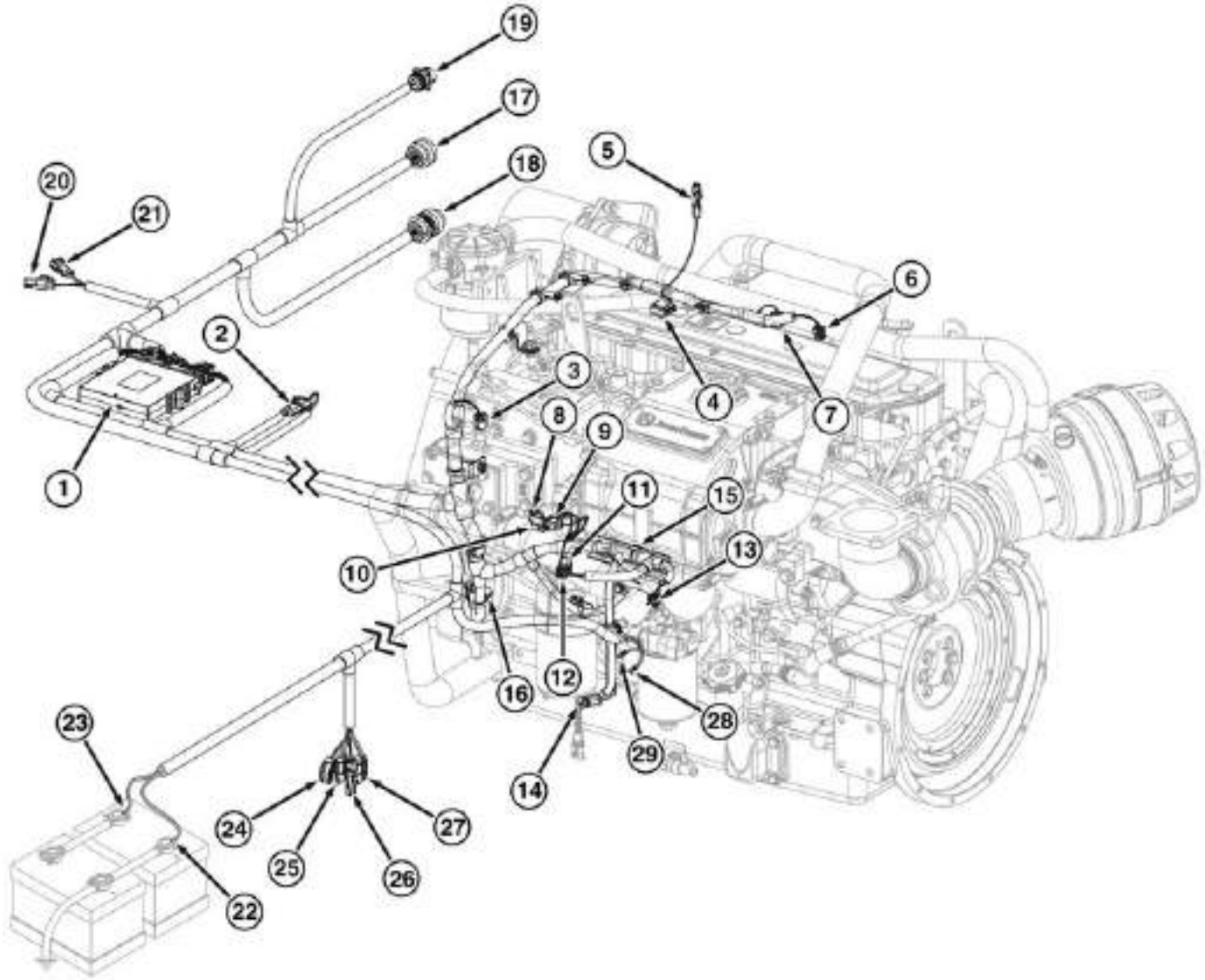


Welding Precautions

TS953—UN—15MAY90

DPSG,OUOD007,2898 -19-13NOV13-1/1

Electronically Controlled Engine Electrical System Layout — 6068AFM85 and 6068SFM85

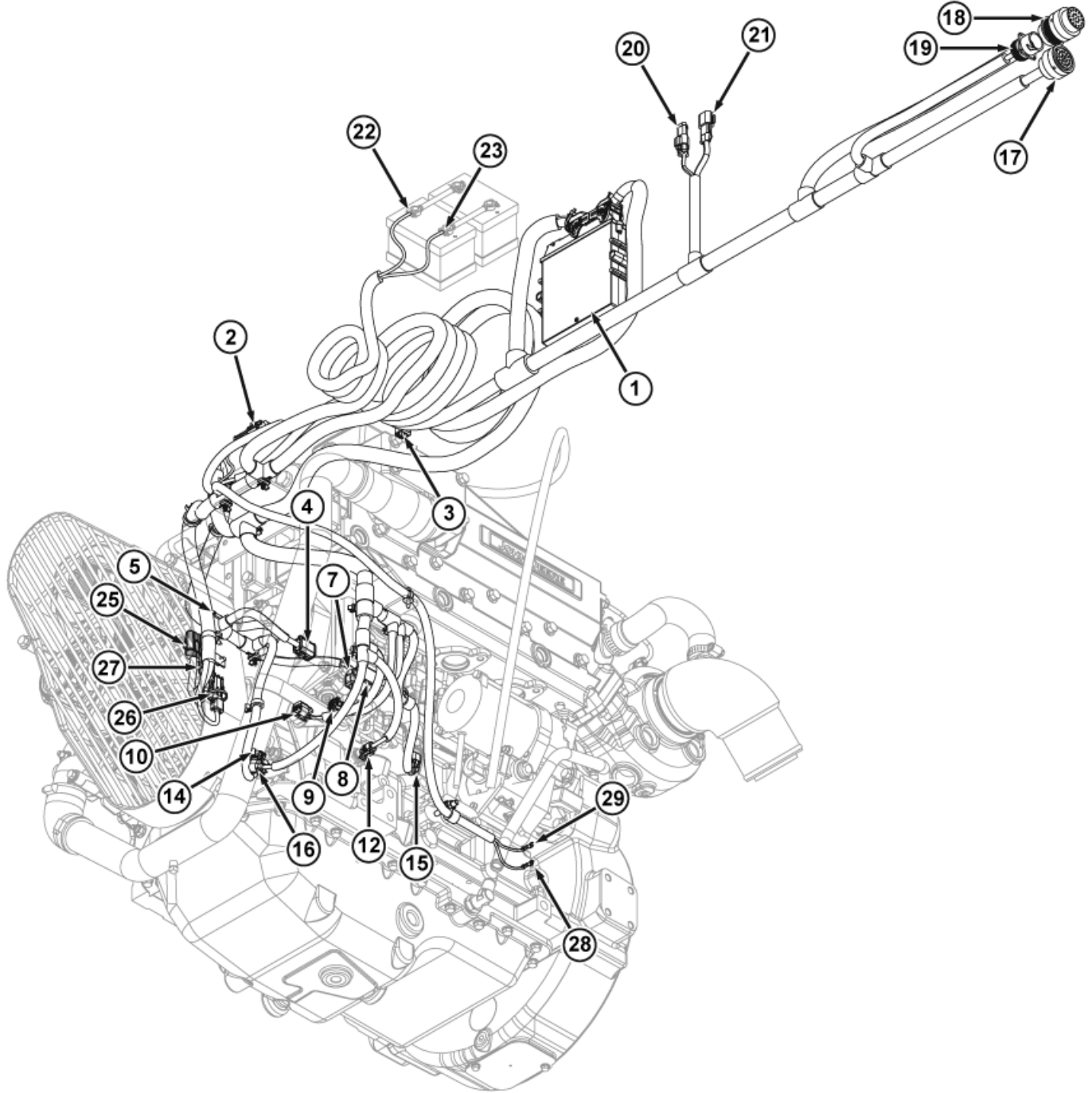


- | | | | |
|----------------------------------------------|-----------------------------------------|------------------------------------------|--------------------------------------------|
| 1— Engine Control Unit (ECU) | 9— Fuel Temperature Sensor Connector | 16— Crankshaft Position Sensor Connector | 25— ECU Fuse (20 Amp) |
| 2— Auxiliary Power Connector | 10— Camshaft Position Sensor Connector | 17— Control Panel Connector | 26— Transient Voltage Protection Connector |
| 3— Coolant Temperature Sensor Connector | 11— Low-Pressure Fuel Pump Connector | 18— Auxiliary Connector | 27— System Fuse (30 Amp) |
| 4— Fuel Injection Harness Connector | 12— Oil Pressure Sensor Connector | 19— Diagnostic Connector | 28— Starter Relay Coil Connector (Power) |
| 5— Alternator Connector | 13— Fuel Pressure Sensor Connector | 20— CAN Terminator Connector | 29— Starter Relay Coil Connector (Ground) |
| 6— Manifold Air Pressure Sensor Connector | 14— Water-in-Fuel Sensor Connector | 21— Remote On/Off Connector | |
| 7— Manifold Air Temperature Sensor Connector | 15— Fuel Rail Pressure Sensor Connector | 22— Underminated Ground (Battery) | |
| 8— Suction Control Valve Sensor Connector | | 23— Underminated Power (Battery) | |
| | | 24— Low-Pressure Fuel Pump Fuse (15 Amp) | |

RG22346—UN—05FEB13

RG19661,00003DE -19-28AUG13-1/1

Electronically Controlled Engine Electrical System Layout — 4045TFM85

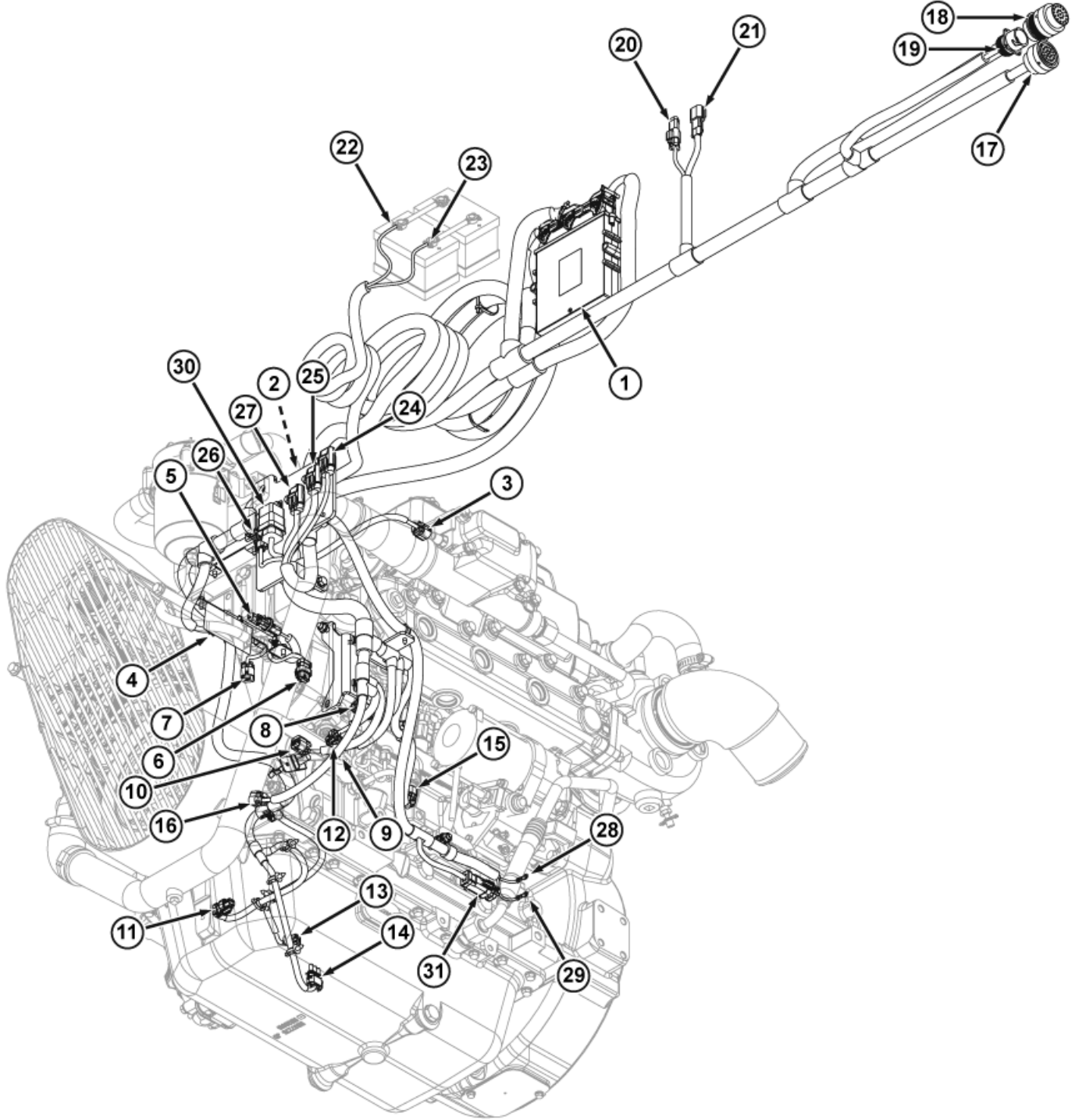


- | | | | |
|----------------------------------------------|------------------------------------------|-----------------------------------|--------------------------------------------|
| 1— Engine Control Unit (ECU) | 9— Fuel Temperature Sensor Connector | 17— Control Panel Connector | 26— Transient Voltage Protection Connector |
| 2— Auxiliary Power Connector | 10— Camshaft Position Sensor Connector | 18— Auxiliary Connector | 27— System Fuse (30 Amp) |
| 3— Coolant Temperature Sensor Connector | 12— Oil Pressure Sensor Connector | 19— Diagnostic Connector | 28— Starter Relay Coil Connector (Power) |
| 4— Fuel Injection Harness Connector | 14— Water-in-Fuel Sensor Connector | 20— CAN Terminator Connector | 29— Starter Relay Coil Connector (Ground) |
| 5— Alternator Connector | 15— Fuel Rail Pressure Sensor Connector | 21— Remote On/Off Connector | |
| 7— Manifold Air Temperature Sensor Connector | 16— Crankshaft Position Sensor Connector | 22— Underminated Ground (Battery) | |
| 8— Suction Control Valve Sensor Connector | | 23— Underminated Power (Battery) | |
| | | 25— ECU Fuse (20 Amp) | |

RG22975—UN—01MAY13

ZE59858.000017C -19-29AUG13-1/1

Electronically Controlled Engine Electrical System Layout — 4045AFM85



RG22969 —UN—30APR13

Continued on next page

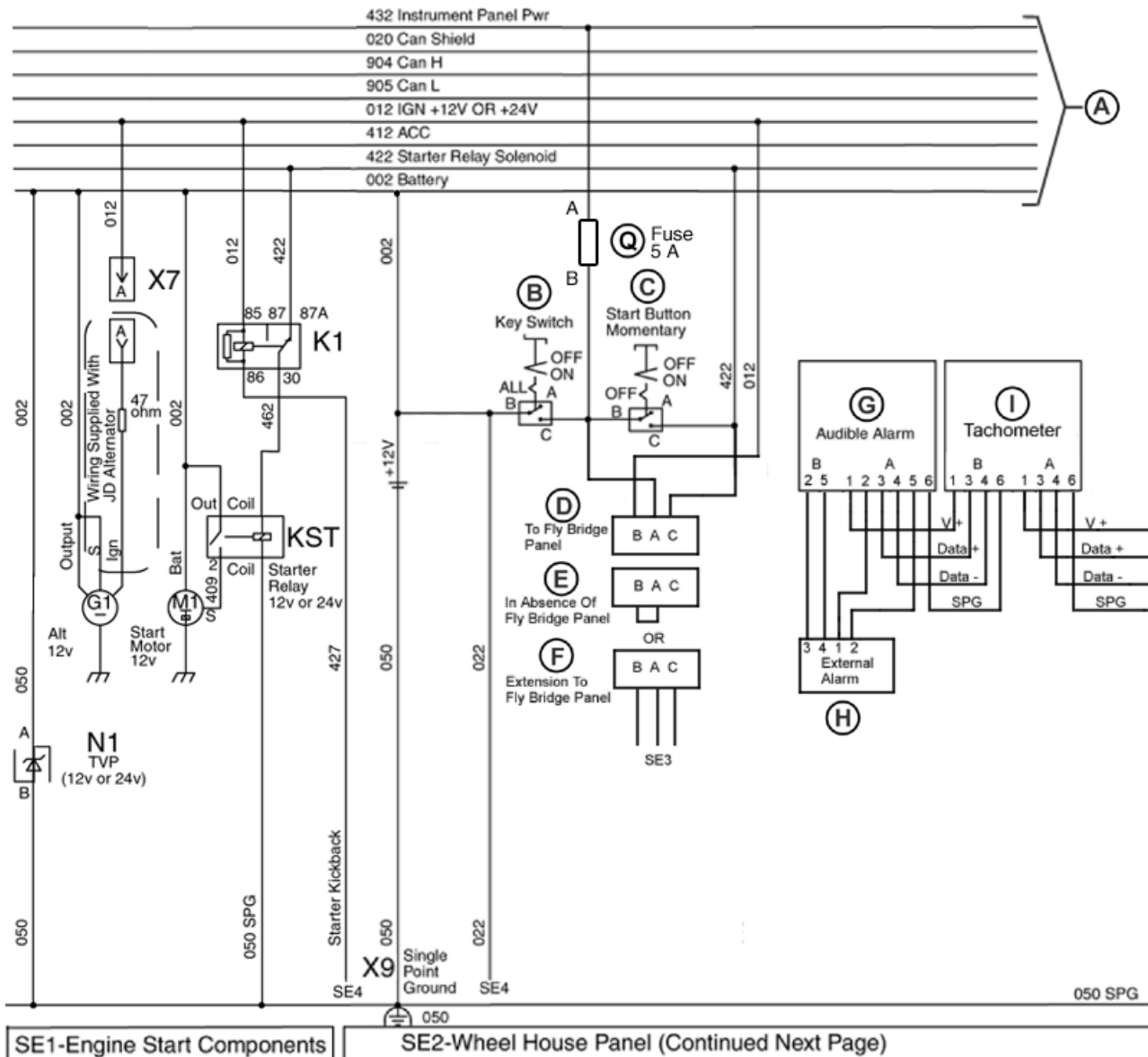
ZE59858.000017D -19-29AUG13-1/2

Troubleshooting

- | | | | |
|----------------------------------------------|------------------------------------------|------------------------------------------|--------------------------------------------|
| 1— Engine Control Unit (ECU) | 9— Fuel Temperature Sensor Connector | 17— Control Panel Connector | 26— Transient Voltage Protection Connector |
| 2— Auxiliary Power Connector | 10— Camshaft Position Sensor Connector | 18— Auxiliary Connector | 27— System Fuse (30 Amp) |
| 3— Coolant Temperature Sensor Connector | 11— Low-Pressure Fuel Pump Connector | 19— Diagnostic Connector | 28— Starter Relay Coil Connector (Power) |
| 4— Fuel Injection Harness Connector | 12— Oil Pressure Sensor Connector | 20— CAN Terminator Connector | 29— Starter Relay Coil Connector (Ground) |
| 5— Alternator Connector | 13— Fuel Pressure Sensor Connector | 21— Remote On/Off Connector | 30— Fuel Transfer Pump Relay (24V) |
| 6— Manifold Air Pressure Sensor Connector | 14— Water-in-Fuel Sensor Connector | 22— Underminated Ground (Battery) | 31— Transmission Sensors |
| 7— Manifold Air Temperature Sensor Connector | 15— Fuel Rail Pressure Sensor Connector | 23— Underminated Power (Battery) | |
| 8— Suction Control Valve Sensor Connector | 16— Crankshaft Position Sensor Connector | 24— Low-Pressure Fuel Pump Fuse (15 Amp) | |
| | | 25— ECU Fuse (20 Amp) | |

ZE59858,000017D -19-29AUG13-2/2

Wiring Diagram for John Deere Main Station (Wheel House) Instrument Panel - Electronically Controlled Engine

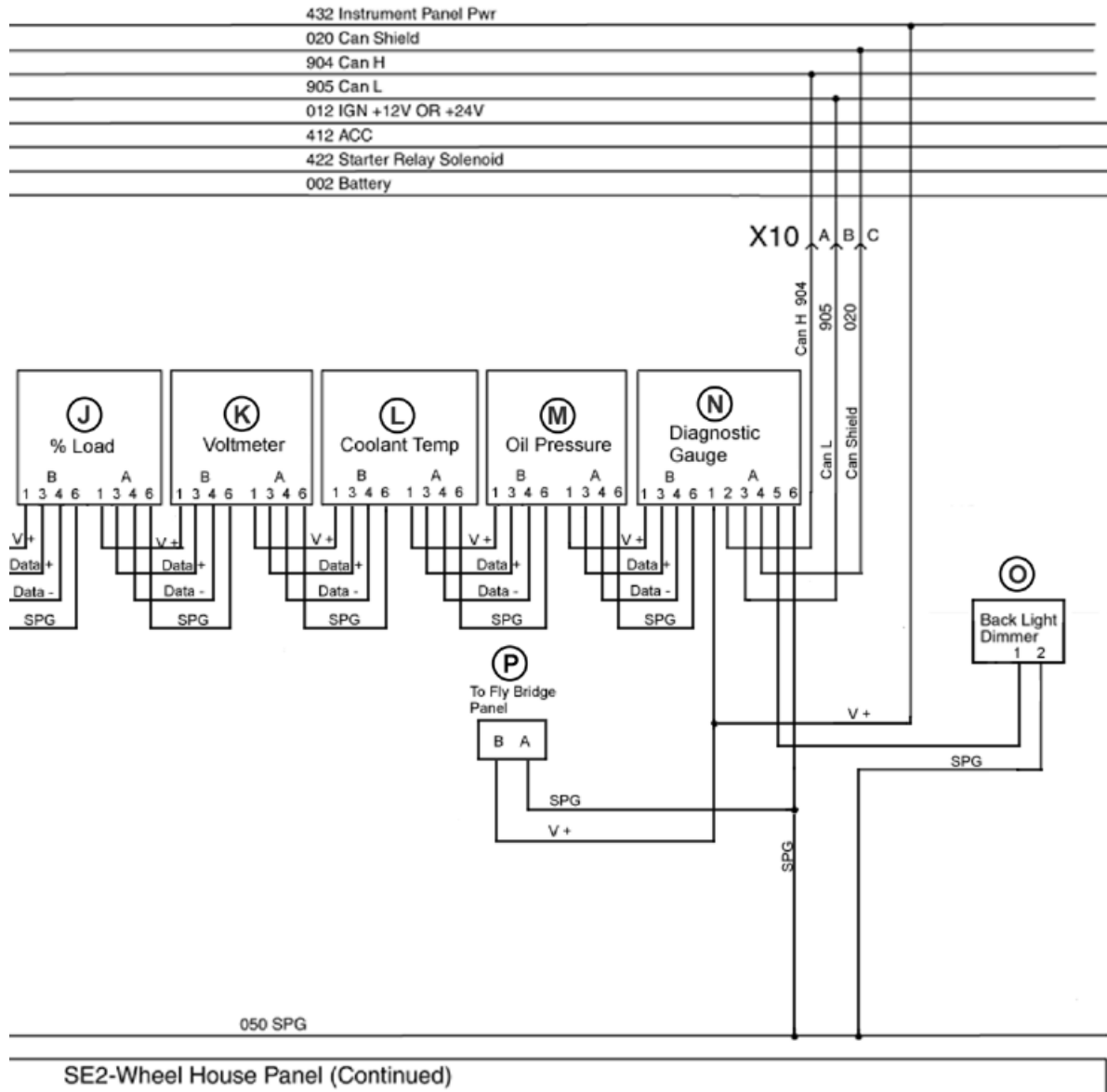


- | | | | |
|----------------------------------|---------------------------------|-------------------------|-----------------------------|
| A—Vehicle Harness Connector | G1—Alternator | O—Back Light Dimmer | 020— CAN Shield |
| B—Key Switch | H—External Alarm | P—To Fly Bridge Panel | 412— ACC |
| C—Start Button- Momentary | I— Tachometer | Q—Fuse 5 A | 422— Starter Relay Solenoid |
| D—To Fly Bridge Panel | J— % Load | X7— Alternator Harness | 432— Instrument Panel Power |
| E—In Absence of Fly Bridge Panel | K—Voltmeter | Connector | 904— Can H |
| F—Extension to Fly Bridge Panel | KST— Starter Relay | X9— Single Point Ground | 905— Can L |
| G—Audible Alarm | L—Coolant Temp | X10— CAN Terminator | |
| | M—Oil Pressure | 002— Battery | |
| | M1—Start Motor | 012— IGN +12V or +24V | |
| | N—Diagnostic Gauge | | |
| | N1—Transient Voltage Protection | | |

OUOD006,00000BC -19-11OCT13-1/1

RG24530—UN—04NOV13

Wiring Diagram for John Deere Main Station (Wheel House) Instrument Panel - Electronically Controlled Engine - Cont'd



- A—Vehicle Harness Connector
- B—Key Switch
- C—Start Button- Momentary
- D—To Fly Bridge Panel
- E—In Absence of Fly Bridge Panel
- F—Extension to Fly Bridge Panel

- G—Audible Alarm
- G1—Alternator
- H—External Alarm
- I—Tachometer
- J—% Load
- K—Voltmeter
- KST—Starter Relay
- L—Coolant Temp
- M—Oil Pressure
- M1—Start Motor
- N—Diagnostic Gauge

- N1—Transient Voltage Protection
- O—Back Light Dimmer
- P—To Fly Bridge Panel
- X7—Alternator Harness Connector
- X9—Single Point Ground
- X10—CAN Terminator

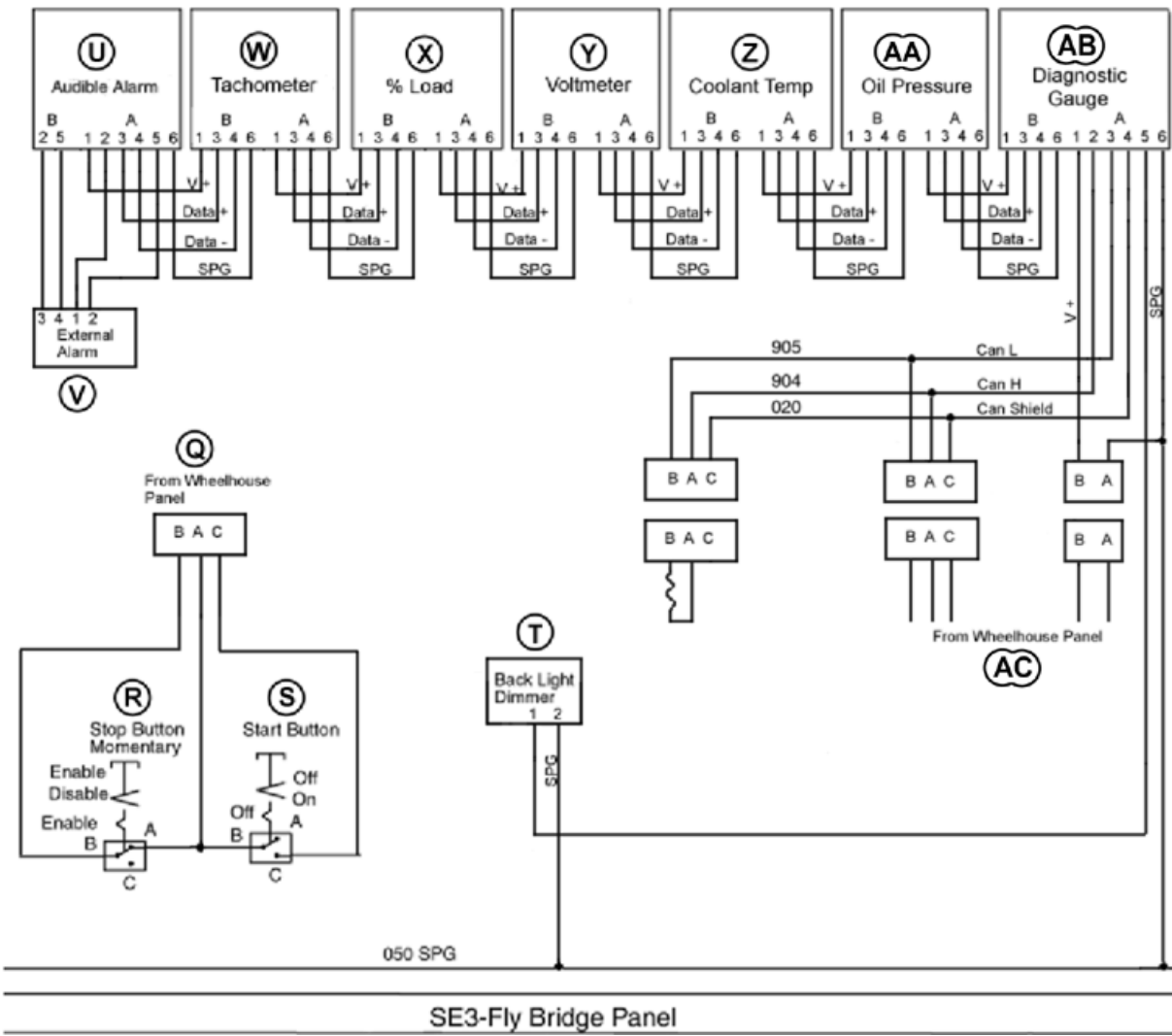
- 012—IGN +12V or +24V
- 020—CAN Shield
- 412—ACC
- 422—Starter Relay Solenoid
- 432—Instrument Panel Power
- 904—Can H
- 905—Can L

OUOD006,00000BD -19-27SEP07-1/1

RG15470—UN—04SEP07

Wiring Diagram for John Deere Optional Fly Bridge Instrument Panel - Electronically Controlled Engine

432 Instrument Panel Pwr
020 CAN Shield
904 CAN H
905 CAN L
012 Ign +12v or +24v
412 ACC
422 Starter Relay Solenoid
002 Battery



Q—From Wheelhouse Panel
 R—Stop Button- Momentary
 S—Start Button- Momentary
 T—Back Light Dimmer

U—Audible Alarm
 V—External Alarm
 W—Tachometer
 X—% Load
 Y—Voltmeter
 Z—Coolant Temp
 AA—Oil Pressure

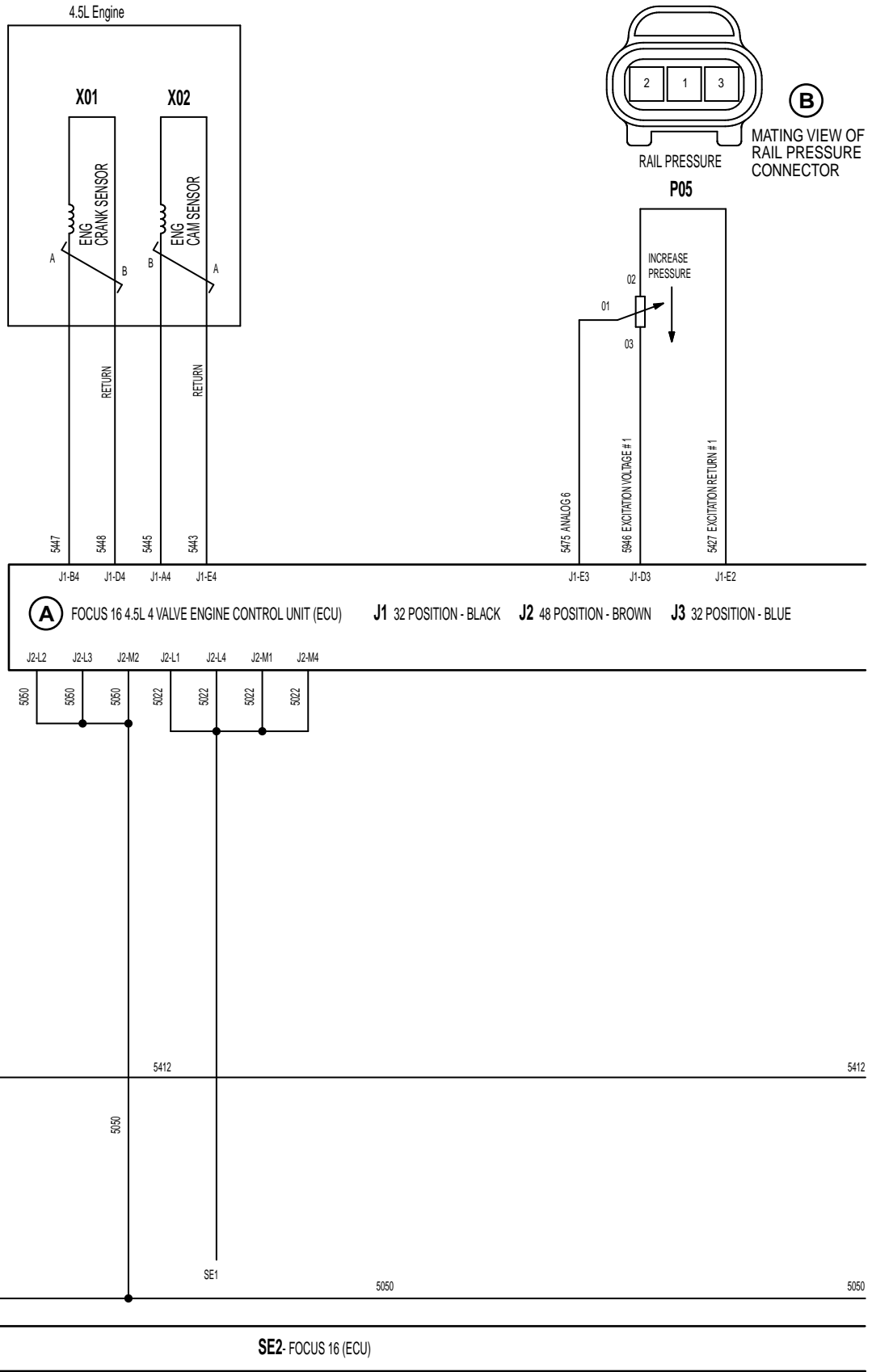
AB—Diagnostic Gauge
 AC—From Wheelhouse Panel
 002— Battery
 012— IGN +12V or +24V
 020— CAN Shield

412— ACC
 422— Starter Relay Solenoid
 432— Instrument Panel Power
 904— Can H
 905— Can L

RG15471—UN—04SEP07

OUOD006,00000BE -19-25JUL07-1/1

4045TFM85 Marine Electronic Control System Wiring Diagram



Continued on next page

RG19661,00003EA -19-21FEB13-1/2

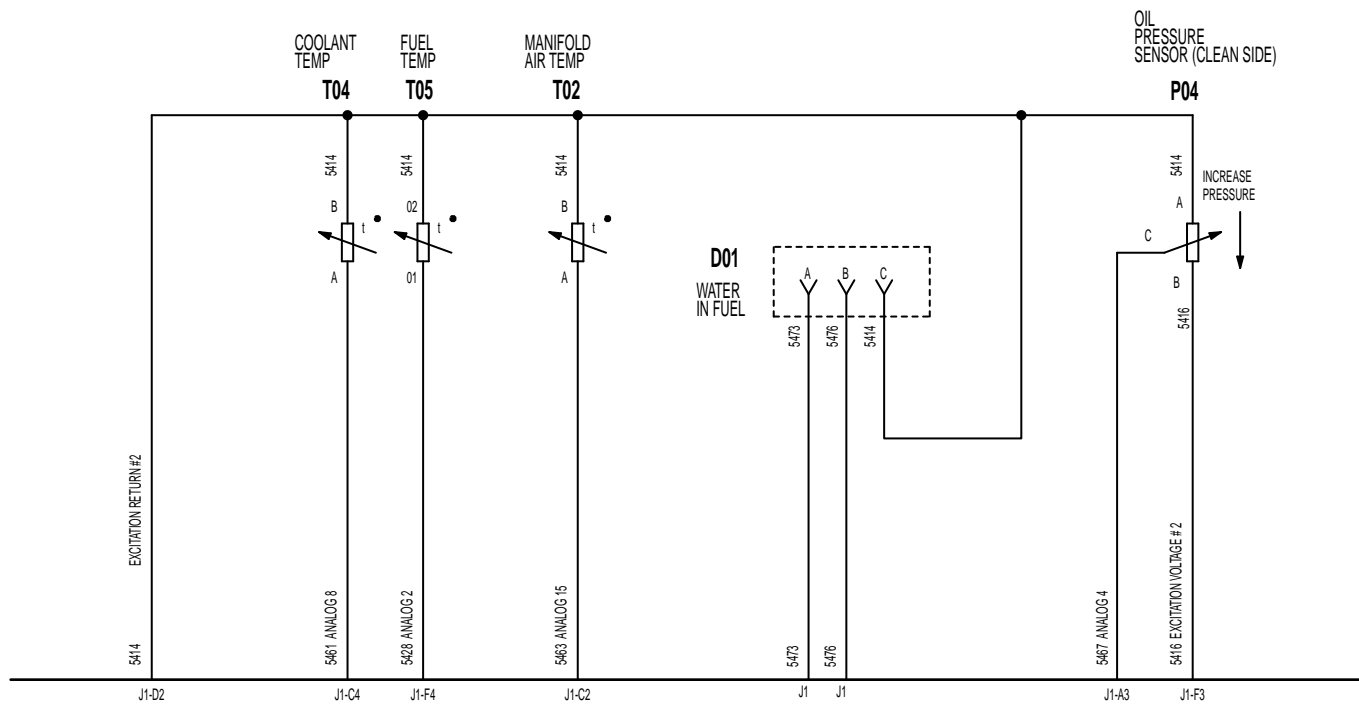
RG22434 —UN—15FEB13

Troubleshooting

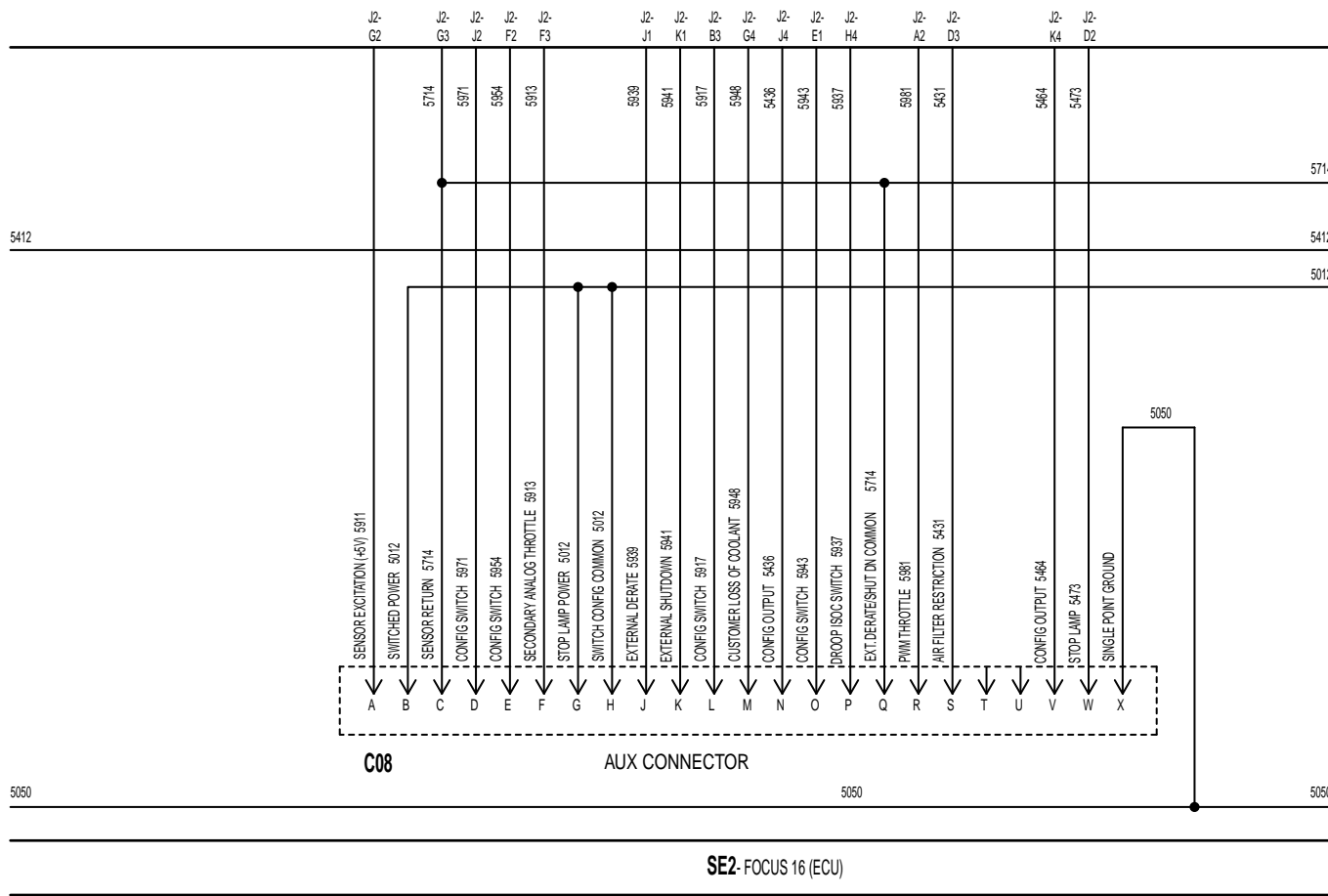
A— Focus 16, 4.5 L, 4 Valve, Engine Control Unit (ECU)	J1-D3— Excitation Voltage #1	J2— 48 Position - Brown	X01— Crankshaft Position Sensor
B— Mating View of Rail Pressure Connector	J1-D4— Return	J3— 32 Position - Blue	X02— Camshaft Position Sensor
J1— 32 Position - Black	J1-E2— Excitation Return #1	P05— Fuel Rail Pressure Sensor	
	J1-E3— Analog 6	SE2— Focus 16 (ECU)	
	J1-E4— Return		

RG19661,00003EA -19-21FEB13-2/2

4045TFM85 Marine Electronic Control System Wiring Diagram - Cont-d



A FOCUS 16 4.5L 4 VALVE ENGINE CONTROL UNIT (ECU) **J1** 32 POSITION - BLACK **J2** 48 POSITION - BROWN **J3** 32 POSITION - BLUE



Continued on next page

RG19661.00003EC -19-21FEB13-1/2

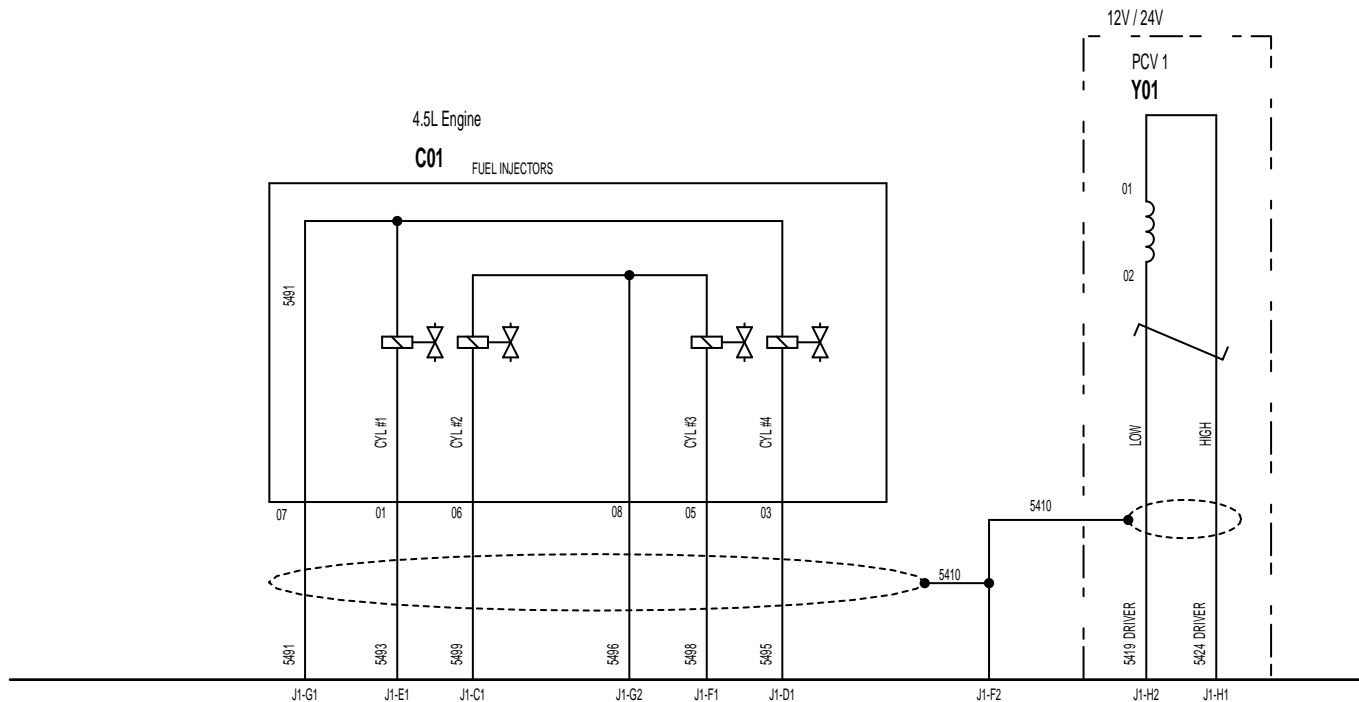
RG22435 -UN-15FEB13

Troubleshooting

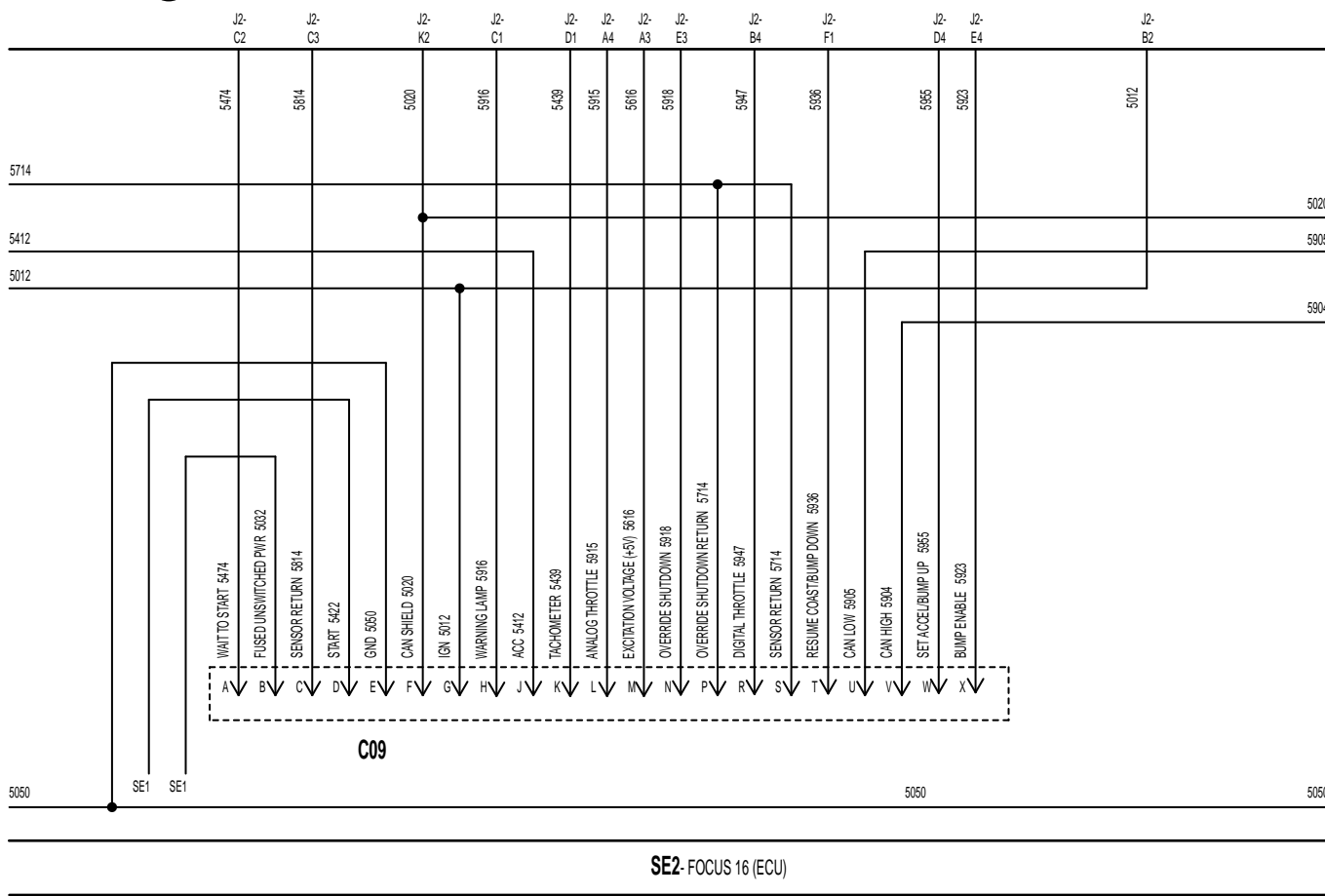
A— Focus 16, 4.5 L, 4 Valve, Engine Control Unit (ECU)	C08-H— Common Configurable Switch	C08-R— PWM Throttle	J1-F4— Analog 2
C08— Auxiliary Connector	C08-J— External Derate	C08-S— Air Filter Restriction	J2— 48 Position - Brown
C08-A— Sensor Excitation (+5 V)	C08-K— External Shutdown	C08-V— Configurable Output	J3— 32 Position - Blue
C08-B— Switched Power	C08-L— Configurable Switch	C08-W— Stop Lamp	P04— Engine Oil Pressure Sensor (Clean Side)
C08-C— Sensor Return	C08-M— Customer Loss of Coolant	C08-X— Single Point Ground	SE2— Focus 16 (ECU)
C08-D— Configurable Switch	C08-N— Configurable Output	D01— Water-In-Fuel Sensor	T02— Manifold Air Temperature Sensor
C08-E— Configurable Switch	C08-O— Configurable Switch	J1— 32 Position - Black	T04— Engine Coolant Temperature Sensor
C08-F— Secondary Analog Throttle	C08-P— Droop Isochronous Switch	J1-A3— Analog 4	T05— Fuel Temperature Sensor
C08-G— Stop Lamp Power	C08-Q— External Derate/Shutdown Common	J1-C2— Analog 15	
		J1-C4— Analog 8	
		J1-D2— Excitation Return #2	
		J1-F3— Excitation Voltage #2	

RG19661.00003EC -19-21FEB13-2/2

4045TFM85 Marine Electronic Control System Wiring Diagram - Cont-d



(A) FOCUS 16 4.5L 4 VALVE ENGINE CONTROL UNIT (ECU) J1 32 POSITION - BLACK J2 48 POSITION - BROWN J3 32 POSITION - BLUE



Continued on next page

RG19661,00003ED -19-21FEB13-1/2

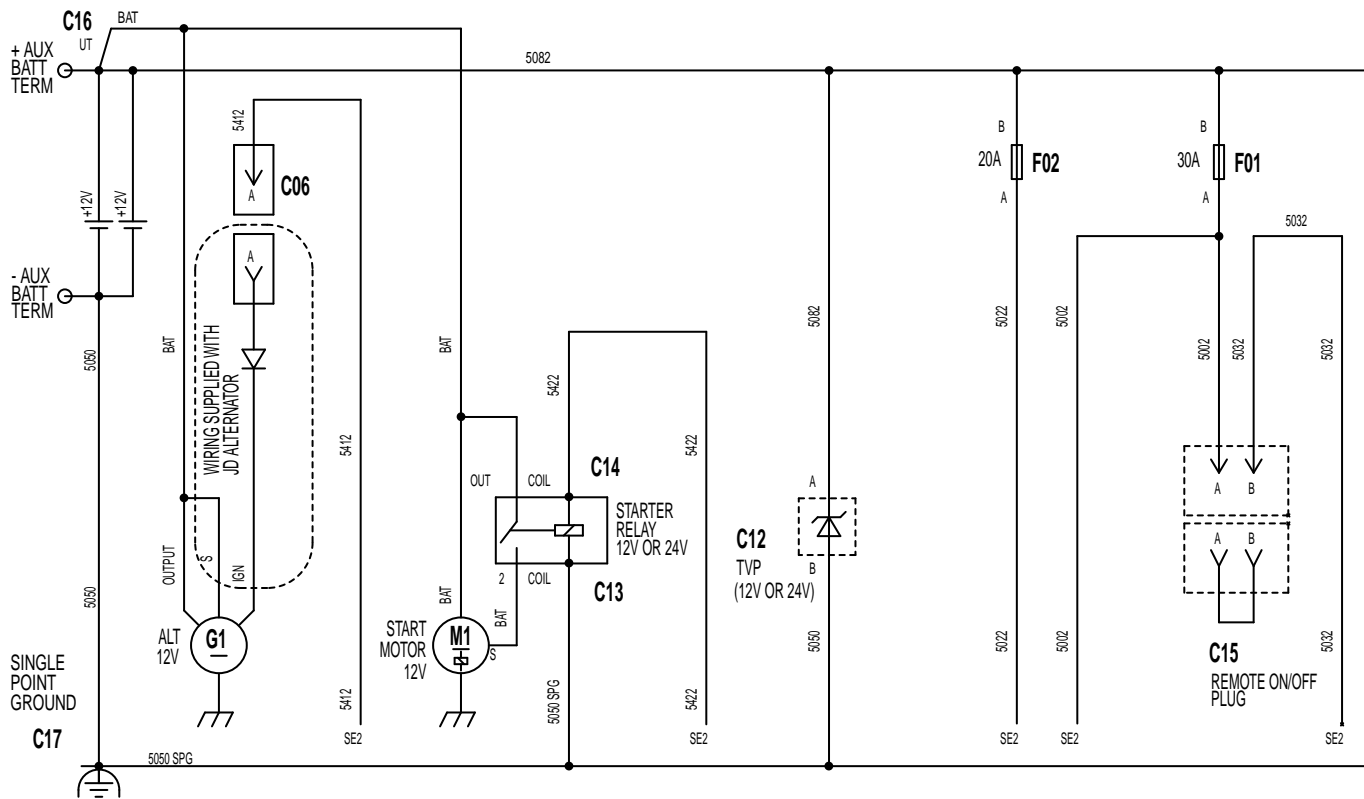
RG22436 —UN—15FEB13

Troubleshooting

A— Focus 16, 4.5 L, 4 Valve, Engine Control Unit (ECU)	C09-H— Warning Lamp	C09-T— Resume Coast/Bump Down	J1-H1— High Driver
C01— Fuel Injectors	C09-J— Accessory	C09-U— CAN Low	J1-H2— Low Driver
C09-A— Wait To Start	C09-K— Tachometer	C09-V— CAN High	J2— 48 Position - Brown
C09-B— Fused Unswitched Power	C09-L— Analog Throttle	C09-W— Set Accelerator/Bump Up	J3— 32 Position - Blue
C09-C— Sensor Return	C09-M— Excitation Voltage (+5 V)	C09-X— Bump Enable	SE2— Focus 16 (ECU)
C09-D— Start	C09-N— Override Shutdown	J1— 32 Position - Black	Y01— Pressure Control Valve 1 (12 V/ 24 V)
C09-E— Ground	C09-P— Override Shutdown Return	J1-C1— Cylinder 2	
C09-F— CAN Shield	C09-R— Digital Throttle	J1-D1— Cylinder 4	
C09-G— Ignition	C09-S— Sensor Return	J1-E1— Cylinder 1	
		J1-F1— Cylinder 3	

RG19661,00003ED -19-21FEB13-2/2

4045TFM85 Marine Electronic Control System Wiring Diagram - Cont-d

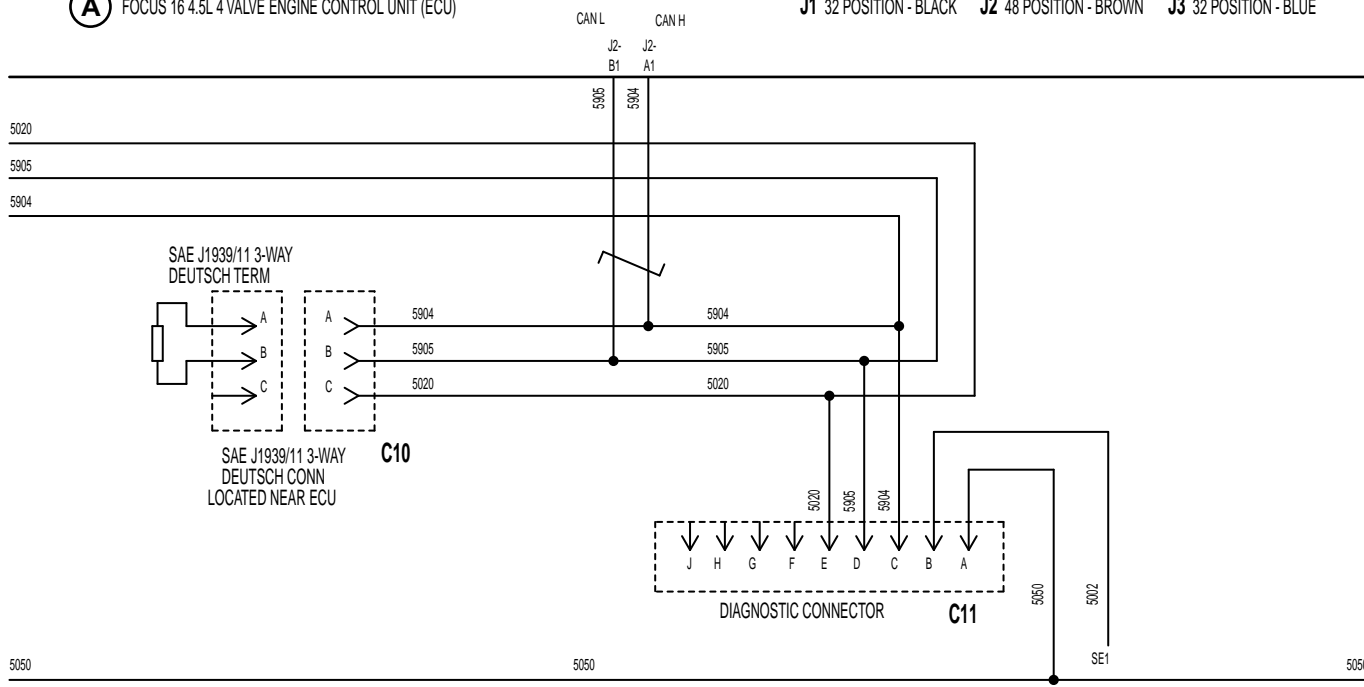


SE1-ENGINE START COMPONENTS

(A) FOCUS 16 4.5L 4 VALVE ENGINE CONTROL UNIT (ECU)

CAN L CAN H

J1 32 POSITION - BLACK **J2** 48 POSITION - BROWN **J3** 32 POSITION - BLUE



SE2- FOCUS 16 (ECU)

Continued on next page

RG19661,00003EE -19-25FEB13-1/2

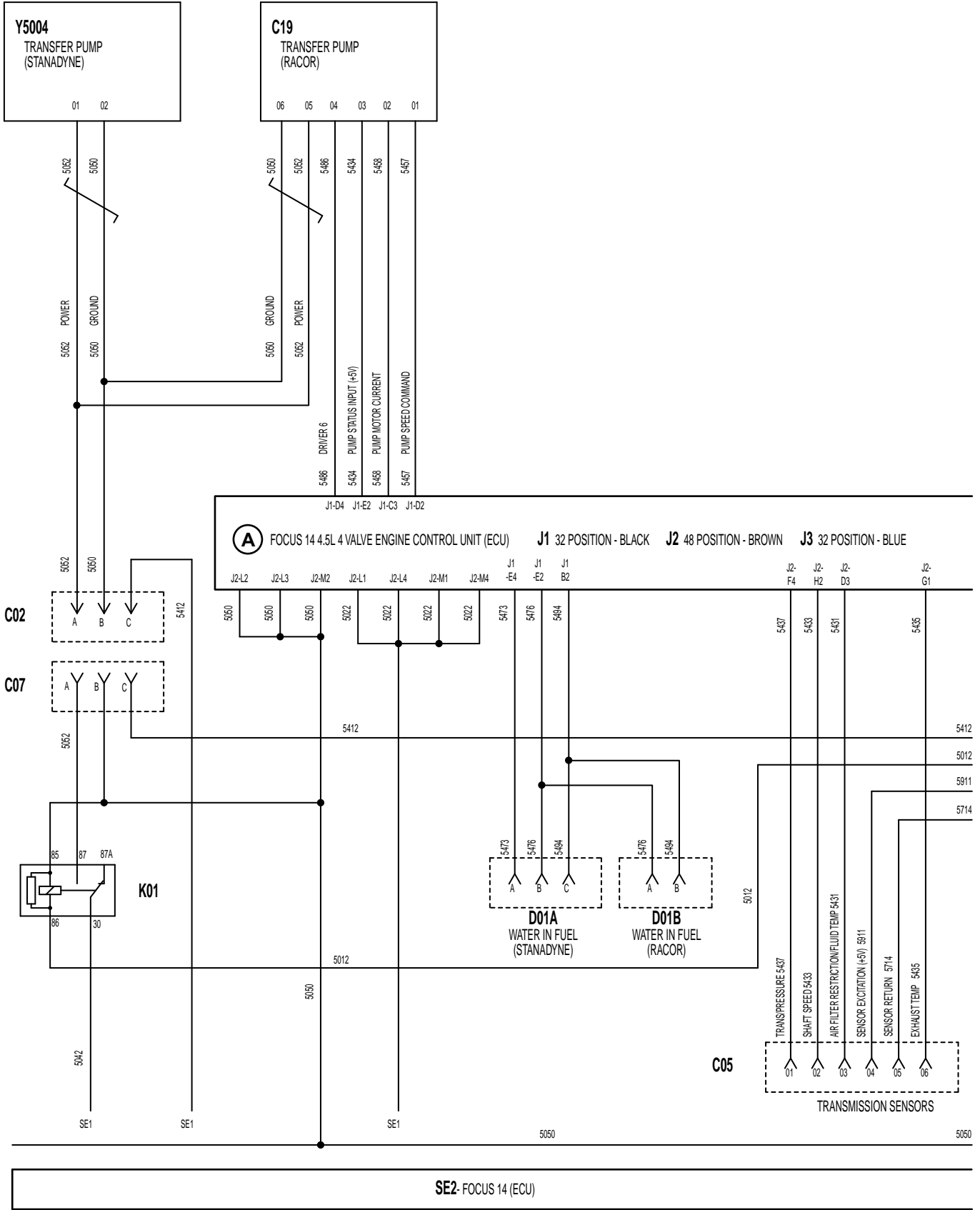
RG22437 -UN-21FEB13

Troubleshooting

A— Focus 16, 4.5 L, 4 Valve, Engine Control Unit (ECU)	C11— Diagnostic Connector	C16— Battery	J2-B1— CAN Low
C06— Wiring Supplied With JD Alternator	C12— Transient Voltage Protection (12 V or 24 V)	C17— Single Point Ground	J3— 32 Position - Blue
C10— SAE J1939/ 11 Way Deutsch Connector, Located Near ECU	C13— Starter Relay Coil Ground	G1— Alternator 12 V	M1— Start Motor 12 V
	C14— Starter Relay Coil Power	J1— 32 Position - Black	SE1— Engine Start Components
	C15— Remote On/Off	J2— 48 Position - Brown	SE2— Focus 16 (ECU)
		J3— 32 Position - Blue	
		J2-A1— CAN High	

RG19661,00003EE -19-25FEB13-2/2

4045AFM85 Marine Electronic Control System Wiring Diagram



RG22429A — UN—11OCT13

Continued on next page

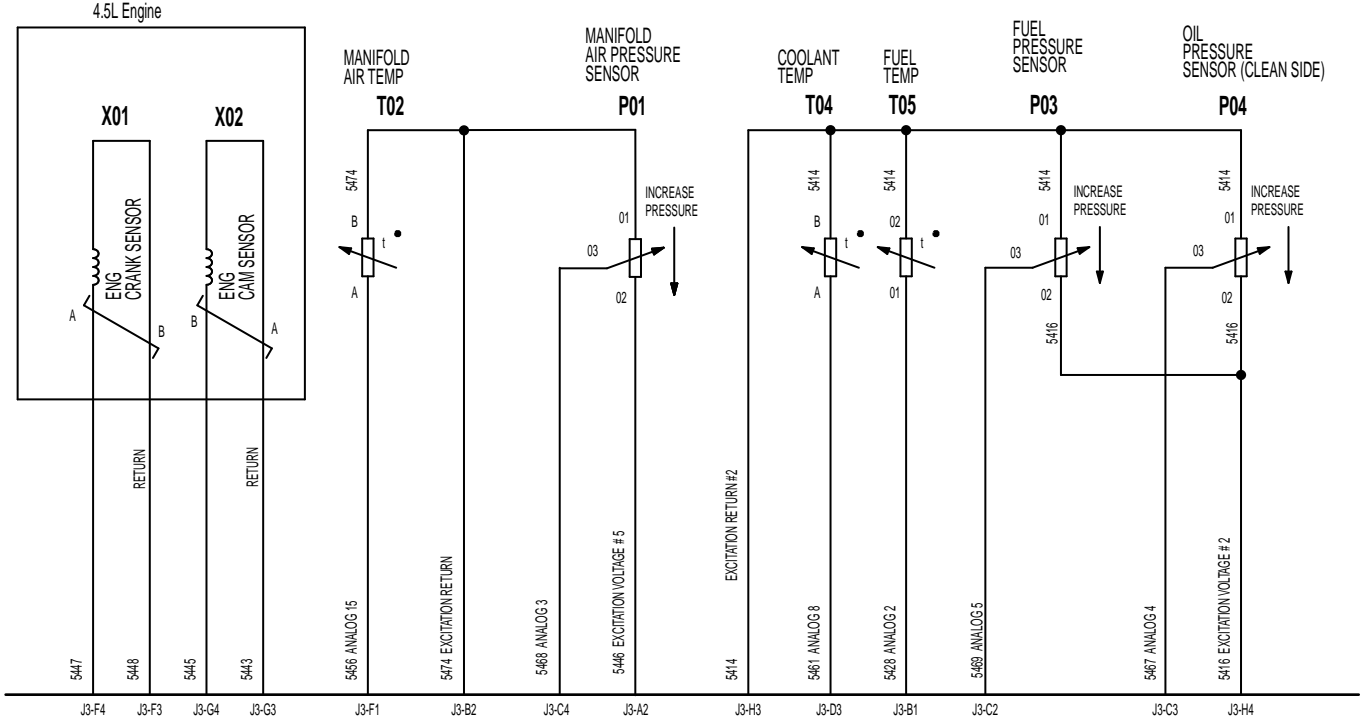
RG19661.00003EB -19-11OCT13-1/2

Troubleshooting

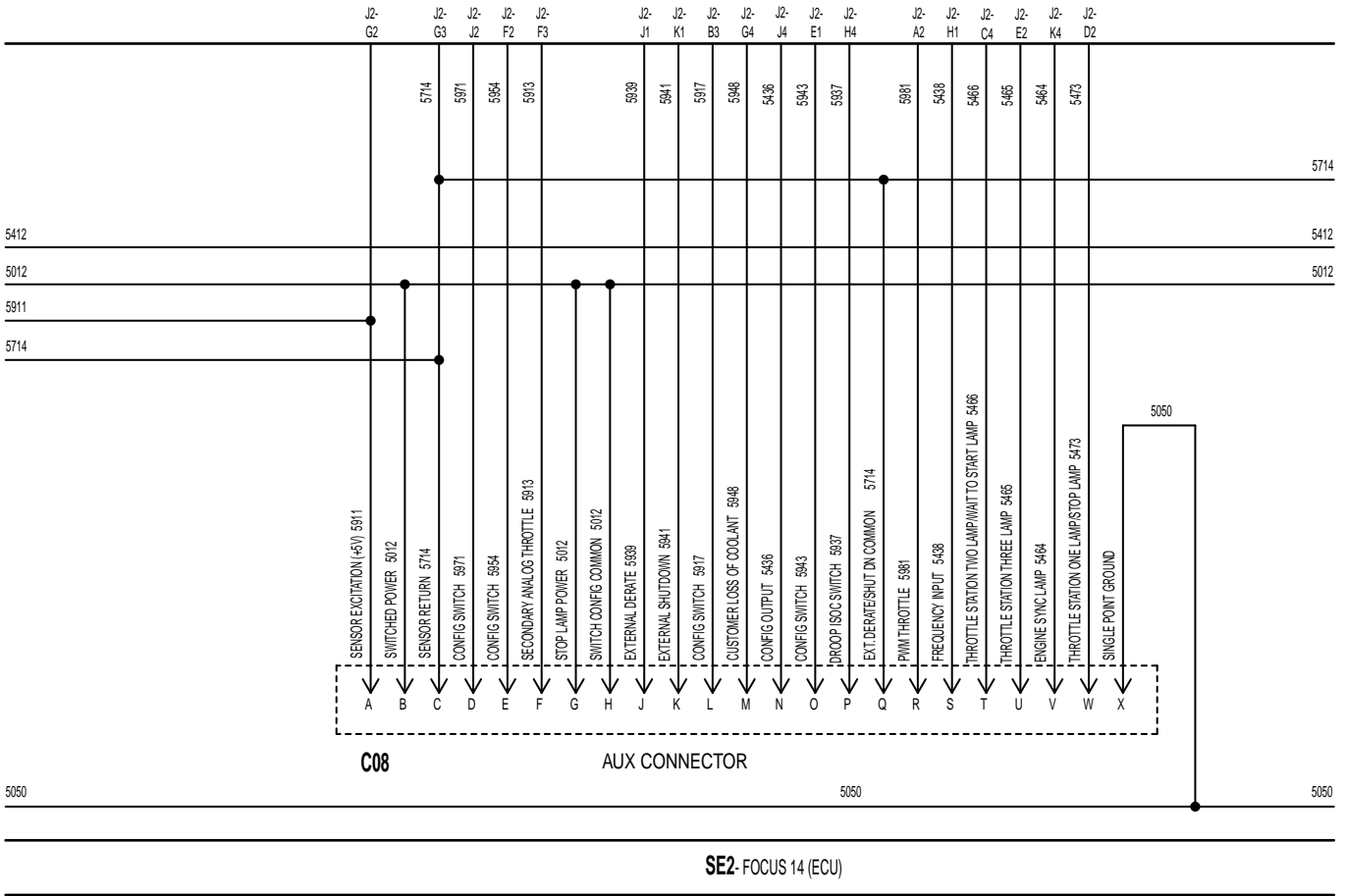
A— Focus 14, 4.5 L, 4 Valve, Engine Control Unit (ECU)	C05-03— Air Filter Restriction Fluid Temperature	D01A— Water-In-Fuel Sensor (Stanadyne)	K01— Fuel Transfer Pump Relay (24 V)
C02-A— Power	C05-04— Sensor Excitation (+5 V)	D01B— Water-In-Fuel Sensor (Racor)	SE2— Focus 14 (ECU)
C02-B— Ground	C05-05— Sensor Return	J1-C3— Pump Motor Current	Y5004— Low-Pressure Fuel Pump (Stanadyne)
C05— Transmission Sensors	C05-06— Exhaust Temperature	J1-D2— Pump Speed Command	
C05-01— Transmission Pressure	C19— Low-Pressure Fuel Pump (Racor)	J1-D4— Driver 6	
C05-02— Shaft Speed		J1-E2— Pump Status Input (+5 V)	

RG19661,00003EB -19-11OCT13-2/2

4045AFM85 Marine Electronic Control System Wiring Diagram - Cont'd



(A) FOCUS 14 4.5L 4 VALVE ENGINE CONTROL UNIT (ECU) **J1** 32 POSITION - BLACK **J2** 48 POSITION - BROWN **J3** 32 POSITION - BLUE



Continued on next page

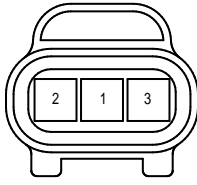
RG19661.00003EF -19-11OCT13-1/2

Troubleshooting

A— Focus 14, 4.5 L, 4 Valve, Engine Control Unit (ECU)	C08-L— Configurable Switch	C08-X— Single Point Ground	P01— Manifold Air Pressure Sensor
C08— Auxiliary Connector	C08-M— Customer Loss of Coolant	J1— 32 Position - Black	P03— Fuel Rail Pressure Sensor
C08-A— Sensor Excitation (+5 V)	C08-N— Configurable Output	J2— 48 Position - Brown	P04— Engine Oil Pressure Sensor (Clean Side)
C08-B— Switched Power	C08-O— Configurable Switch	J3— 32 Position - Blue	SE2— Focus 16 (ECU)
C08-C— Sensor Return	C08-P— Droop Isochronous Switch	J3-A2— Excitation Voltage #5	T02— Manifold Air Temperature Sensor
C08-D— Configurable Switch	C08-Q— External Derate/Shutdown Common	J3-B1— Analog 2	T04— Engine Coolant Temperature Sensor
C08-E— Configurable Switch	C08-R— PWM Throttle	J3-B2— Excitation Return	T05— Fuel Temperature Sensor
C08-F— Secondary Analog Throttle	C08-S— Frequency Input	J3-C2— Analog 5	X01— Crankshaft Position Sensor
C08-G— Stop Lamp Power	C08-T— Throttle Station Two Lamp/Wait To Start Lamp	J3-C3— Analog 4	X02— Camshaft Position Sensor
C08-H— Common Configurable Switch	C08-U— Throttle Station Three Lamp	J3-C4— Analog 3	
C08-J— External Derate	C08-V— Engine Sync Lamp	J3-D3— Analog 8	
C08-K— External Shutdown	C08-W— Throttle Station Two Lamp/Stop Lamp	J3-F1— Analog 15	
		J3-F3— Return	
		J3-G3— Return	
		J3-H3— Excitation Return #2	
		J3-H4— Excitation Voltage #2	

RG19661,00003EF -19-11OCT13-2/2

4045AFM85 Marine Electronic Control System Wiring Diagram - Cont'd

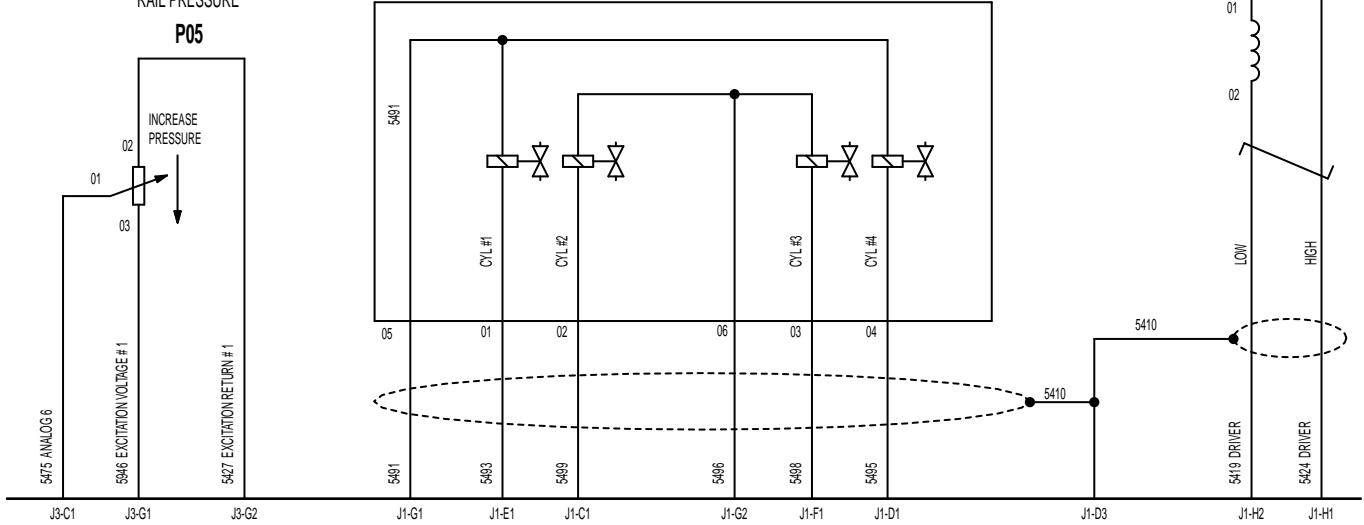


MATING VIEW OF RAIL PRESSURE CONNECTOR

(B)

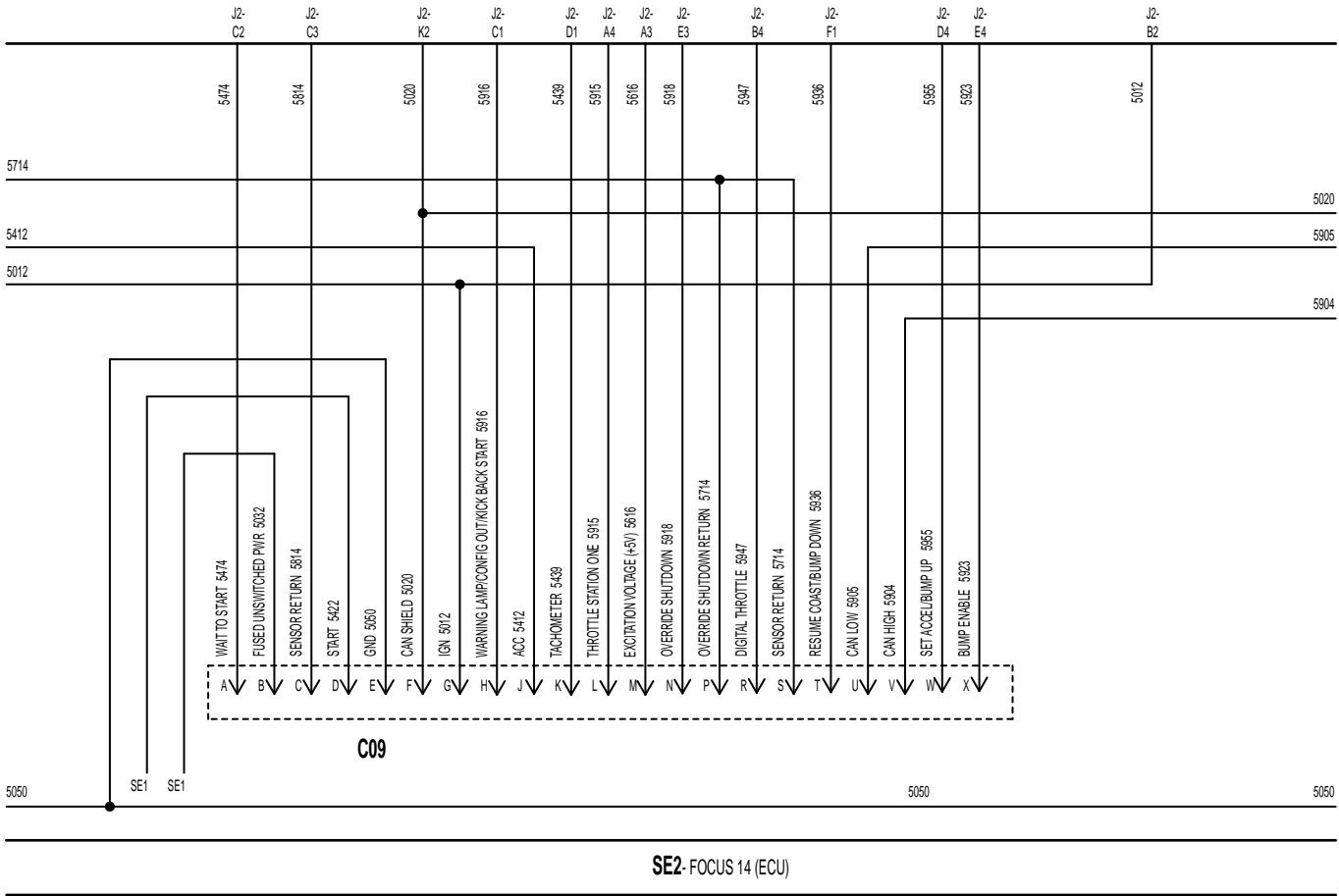
4.5L Engine
C01 FUEL INJECTORS

PCV 1
Y01



(A)

FOCUS 14 4.5L 4 VALVE ENGINE CONTROL UNIT (ECU) J1 32 POSITION - BLACK J2 48 POSITION - BROWN J3 32 POSITION - BLUE



SE2- FOCUS 14 (ECU)

RG22431A—UN—11OCT13

Continued on next page

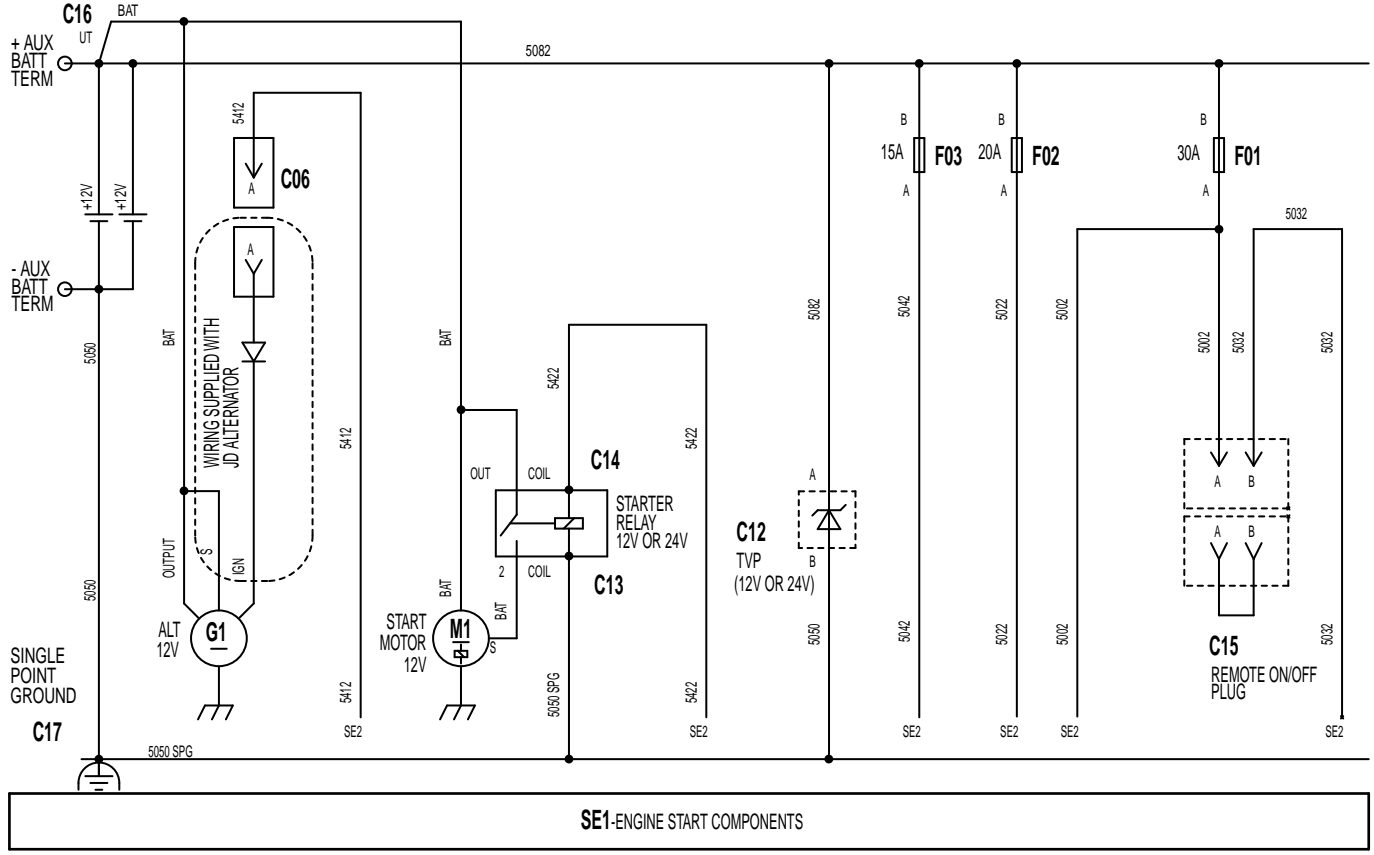
RG19661,00003F0 -19-11OCT13-1/2

Troubleshooting

A— Focus 14, 4.5 L, 4 Valve, Engine Control Unit (ECU)	C09-H— Warning Lamp/Configurable Output/Kick Back Start	C09-T— Resume Coast/Bump Down	J2— 48 Position - Brown
B— Mating View of Rail Pressure Connector	C09-J— Accessory	C09-U— CAN Low	J3— 32 Position - Blue
C01— Fuel Injectors	C09-K— Tachometer	C09-V— CAN High	J3-C1— Analog 6
C09-A— Wait To Start	C09-L— Throttle Station 1	C09-W— Set Accelerator/Bump Up	J3-G1— Excitation Voltage #1
C09-B— Fused Unswitched Power	C09-M— Excitation Voltage (+5 V)	C09-X— Bump Enable	J3-G2— Excitation Return #1
C09-C— Sensor Return	C09-N— Override Shutdown	J1— 32 Position - Black	P05— Fuel Rail Pressure Sensor
C09-D— Start	C09-P— Override Shutdown Return	J1-C1— Cylinder 2	SE2— Focus 14 (ECU)
C09-E— Ground	C09-R— Digital Throttle	J1-D1— Cylinder 4	Y01— Pressure Control Valve 1
C09-F— CAN Shield	C09-S— Sensor Return	J1-E1— Cylinder 1	
C09-G— Ignition		J1-F1— Cylinder 3	
		J1-H1— High Driver	
		J1-H2— Low Driver	

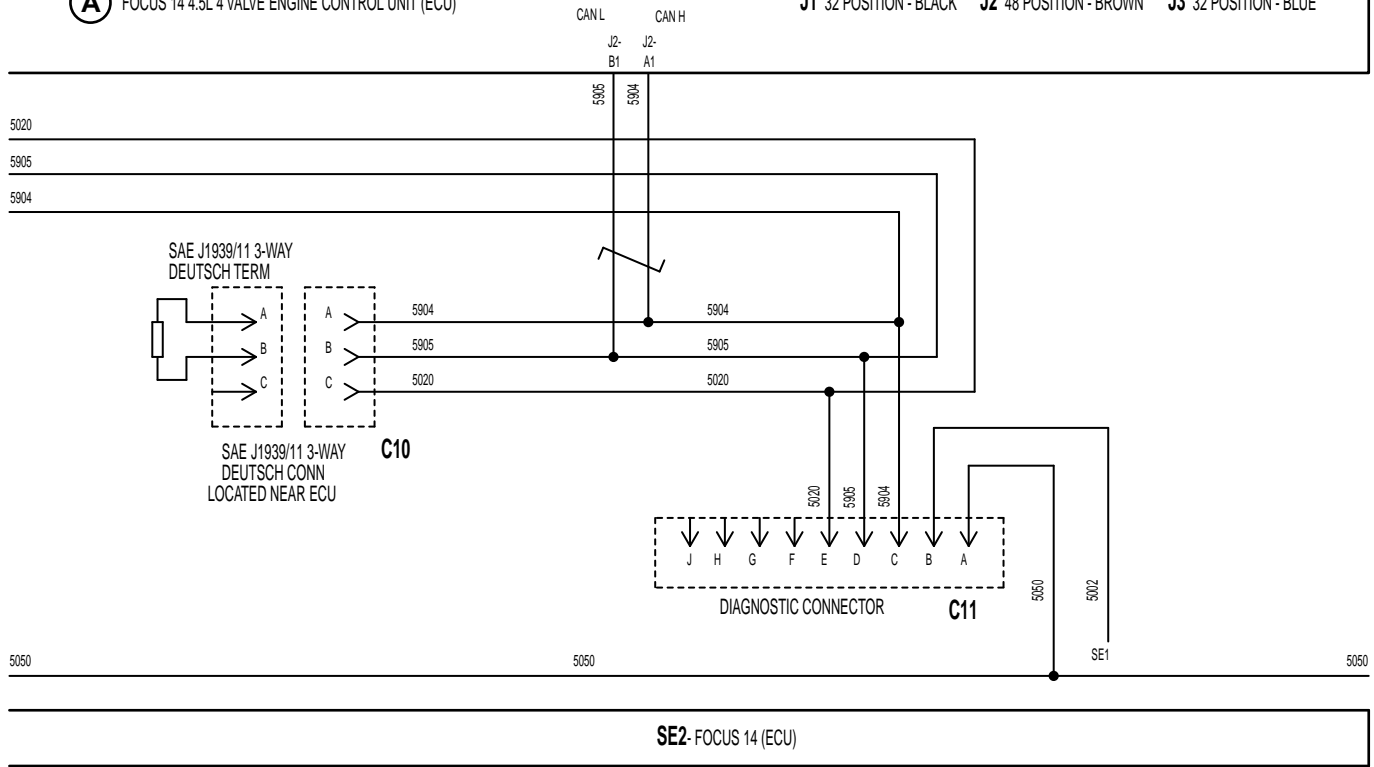
RG19661,00003F0 -19-11OCT13-2/2

4045AFM85 Marine Electronic Control System Wiring Diagram - Cont'd



(A) FOCUS 14 4.5L 4 VALVE ENGINE CONTROL UNIT (ECU)

J1 32 POSITION - BLACK **J2** 48 POSITION - BROWN **J3** 32 POSITION - BLUE



Continued on next page

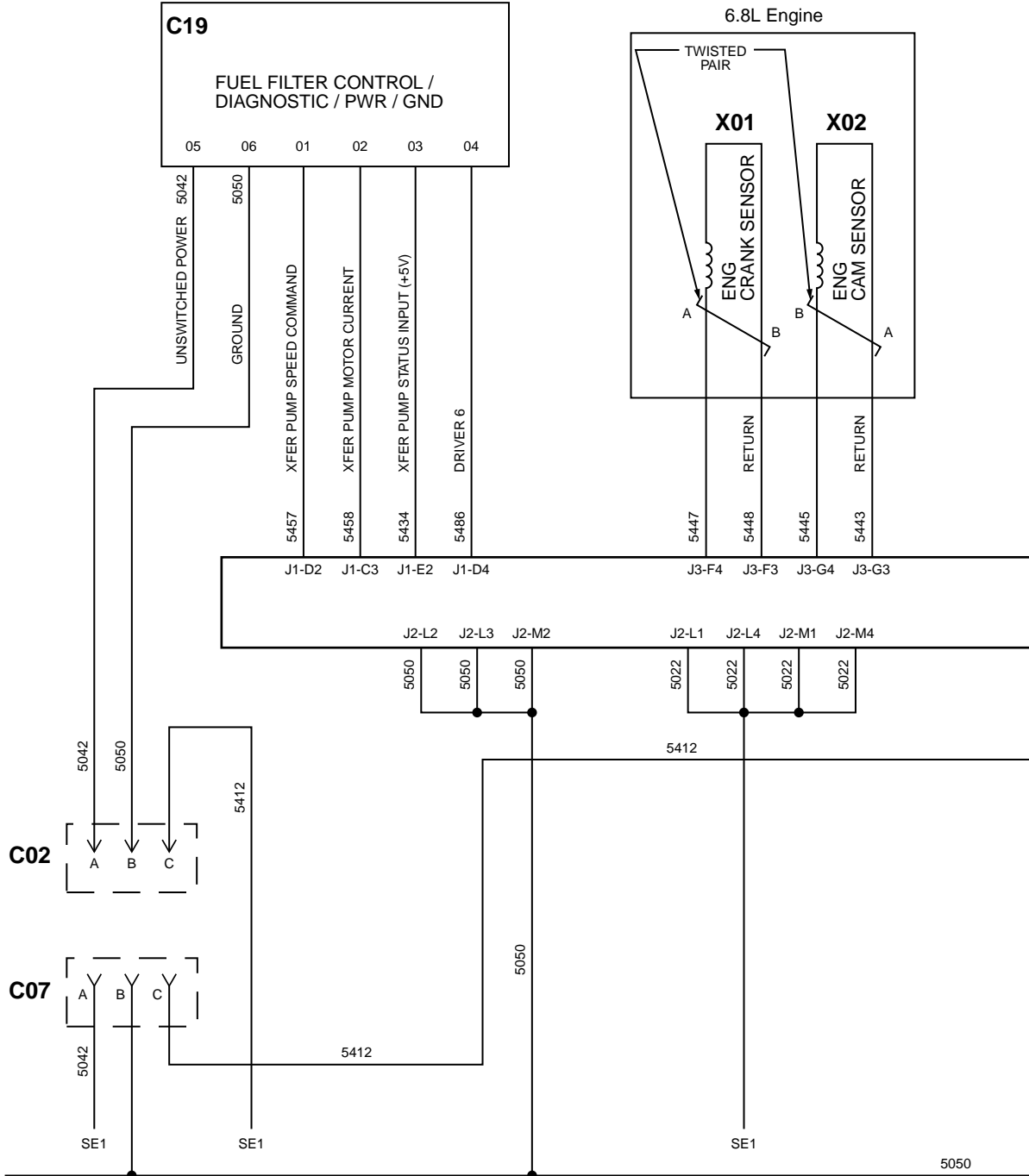
RG19661,00003F1 -19-25FEB13-1/2

Troubleshooting

A— Focus 14, 4.5 L, 4 Valve, Engine Control Unit (ECU)	C11— Diagnostic Connector	C16— Battery	J2-B1— CAN Low
C06— Wiring Supplied With JD Alternator	C12— Transient Voltage Protection (12 V or 24 V)	C17— Single Point Ground	J3— 32 Position - Blue
C10— SAE J1939/ 11 Way Deutsch Connector, Located Near ECU	C13— Starter Relay Coil Ground	G1— Alternator 12 V	M1— Start Motor 12 V
	C14— Starter Relay Coil Power	J1— 32 Position - Black	SE1— Engine Start Components
	C15— Remote On/Off	J2— 48 Position - Brown	SE2— Focus 14 (ECU)
		J3— 32 Position - Blue	
		J2-A1— CAN High	

RG19661,00003F1 -19-25FEB13-2/2

6068SFM85 / AFM85 Marine Electronic Control System Wiring Diagram



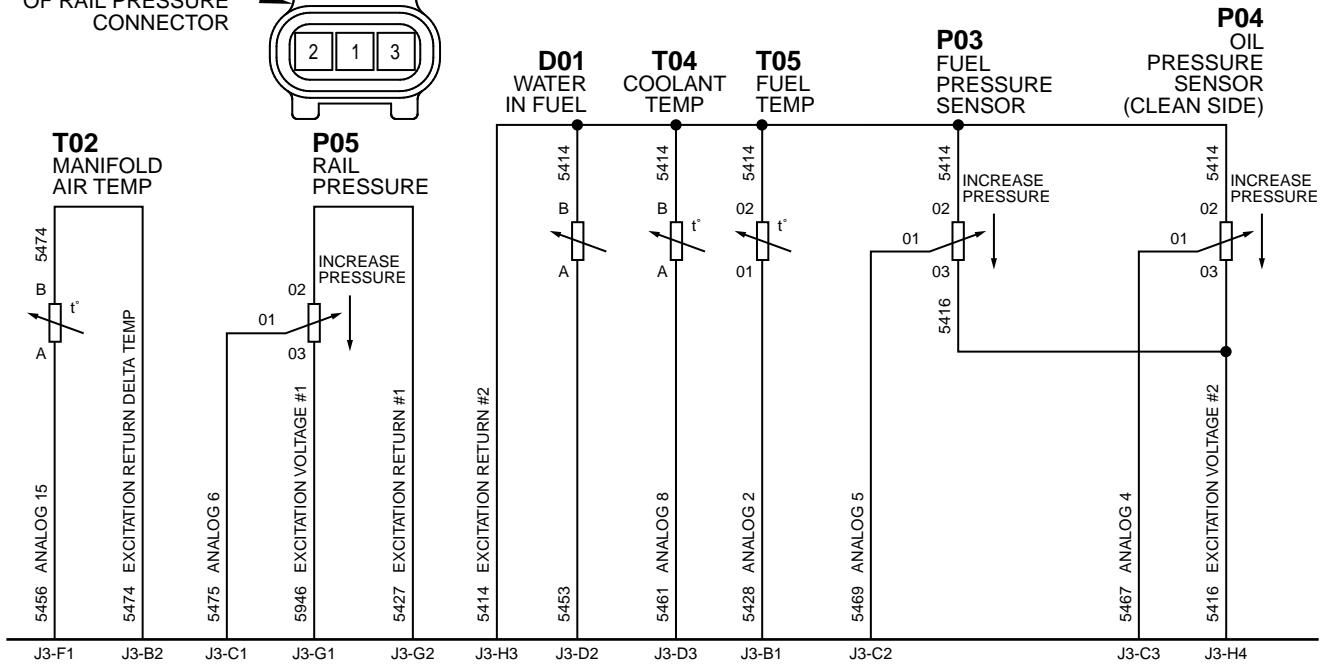
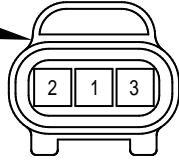
- | | | | |
|---------------------------------------------------------|-----------------------------------------------|------------------------------------------|------------------------|
| C19 — Fuel Filter Control/
Diagnostic/Pwr/Gnd | X02 — Engine Cam Sensor | 5443 — Return | 5486 — Driver 6 |
| X01 — Engine Crank Sensor | 5042 — Unswitched Power | 5448 — Return | |
| | 5050 — Ground | 5457 — Xfer Pump Speed
Command | |
| | 5434 — Xfer Pump Status Input
(+5V) | 5458 — Xfer Pump Motor Current | |

RG19661,00003DF -19-15FEB13-1/1

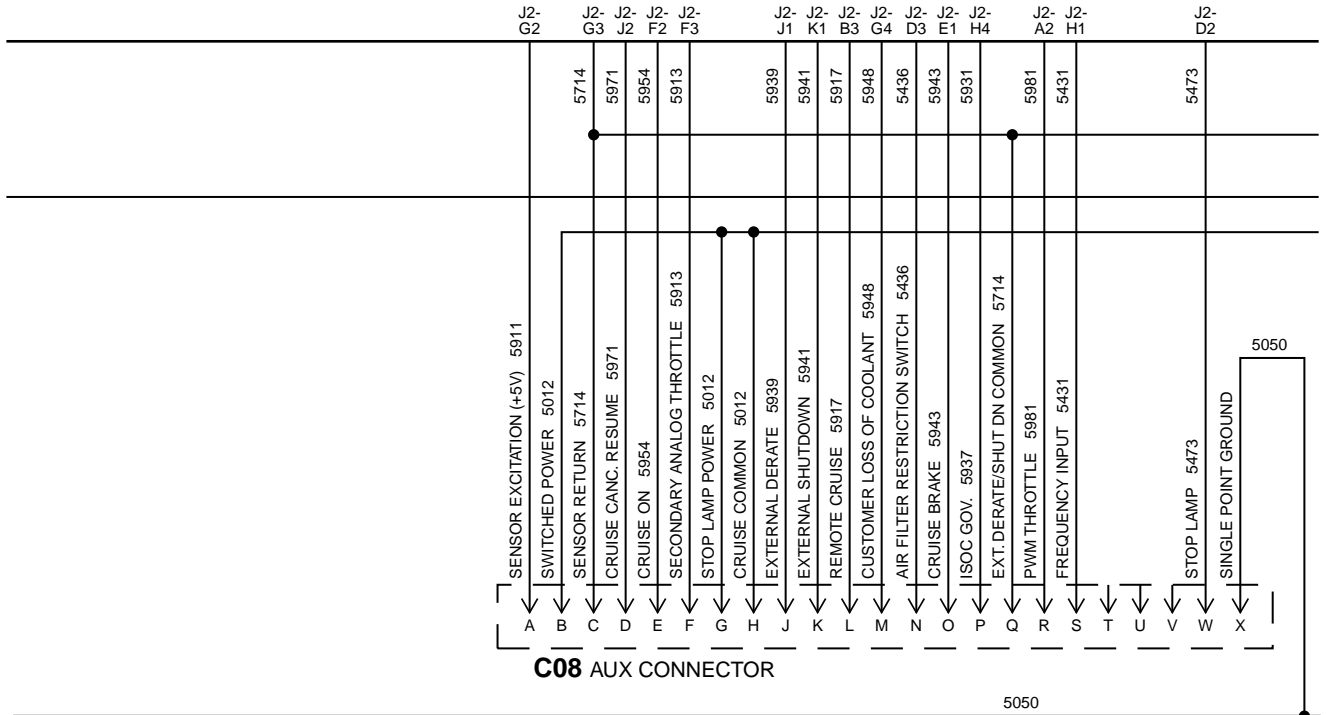
RG15474A—UN—27JAN11

6068SFM85 / AFM85 Marine Electronic Control System Wiring Diagram - Continued

MATING VIEW OF RAIL PRESSURE CONNECTOR



FOCUS 14 6.8L 4 VALVE ENGINE CONTROL UNIT (ECU)



C08 AUX CONNECTOR

5050

RG15321A—UN—27 JAN 11

Continued on next page

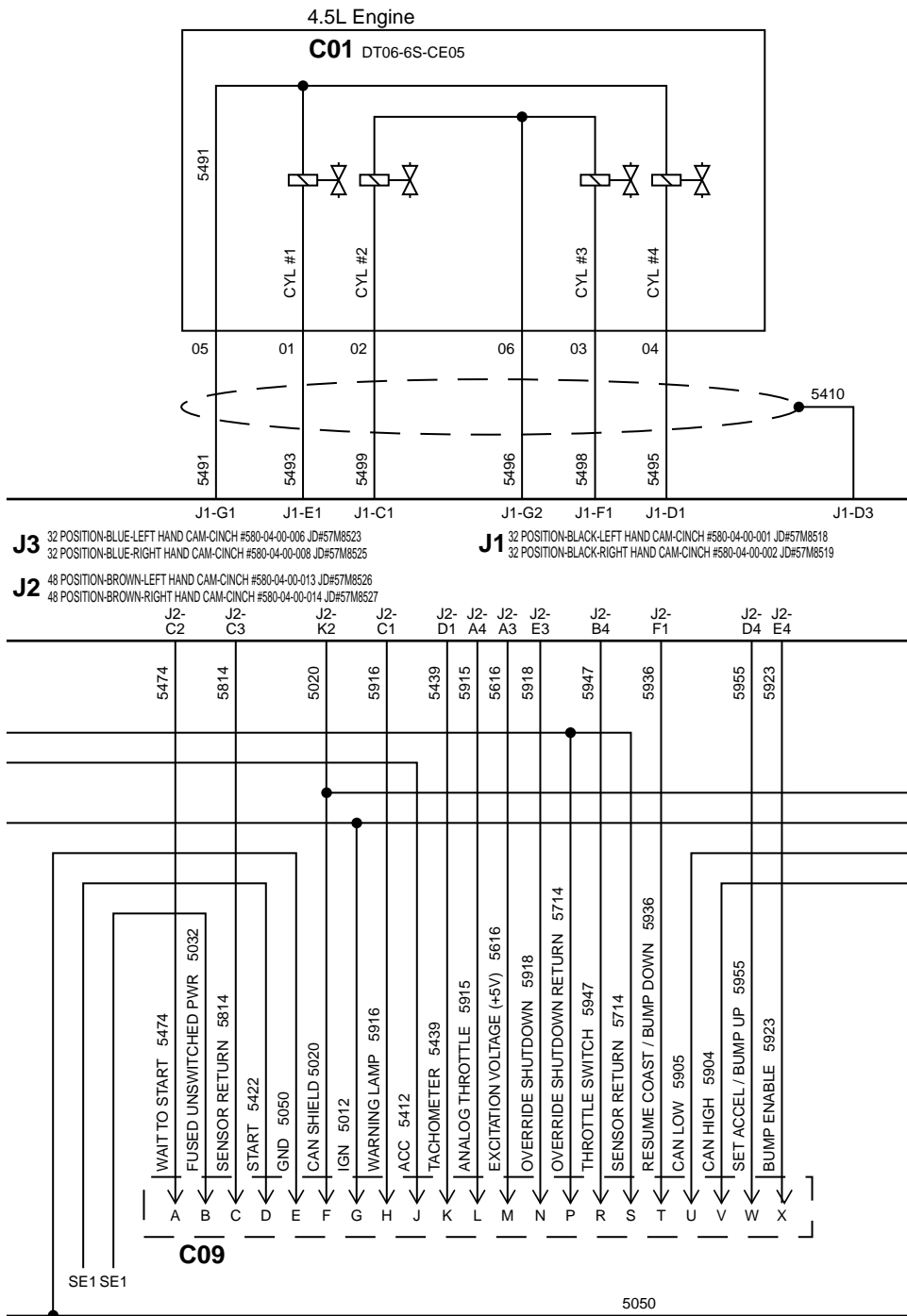
RG19661,00003E0 -19-15FEB13-1/2

Troubleshooting

C08— Aux Connector	5050— Single Point Ground	5469— Analog 5	5939— External Derate
D01— Water in Fuel	5414— Excitation Return #2	5473— Stop Lamp	5941— External Shutdown
P03— Fuel Pressure Sensor	5416— Excitation Voltage #2	5474— Excitation Return Delta	5943— Cruise Brake
P04— Oil Pressure Sensor (Clean Side)	5427— Excitation Return #1	Temp	5946— Excitation Voltage #1
P05— Rail Pressure	5428— Analog 2	5475— Analog 6	5948— Customer Loss of Coolant
T02— Manifold Air Temp	5431— Frequency Input	5714— Sensor Return/Ext. Derate/Shut Dn Common	5954— Cruise On
T04— Coolant Temp	5436— Air Filter Restriction Switch	5911— Sensor Excitation (+5V)	5971— Cruise Canc. Resume
T05— Fuel Temp	5456— Analog 15	5913— Secondary Analog Throttle	5981— Pwr Throttle
5012— Switched Power/Stop Lamp Power/Cruise Common	5461— Analog 8	5917— Remote Cruise	
	5467— Analog 4	5937— Isoc. Gov	

RG19661,00003E0 -19-15FEB13-2/2

6068SFM85 / AFM85 Marine Electronic Control System Wiring Diagram - Continued

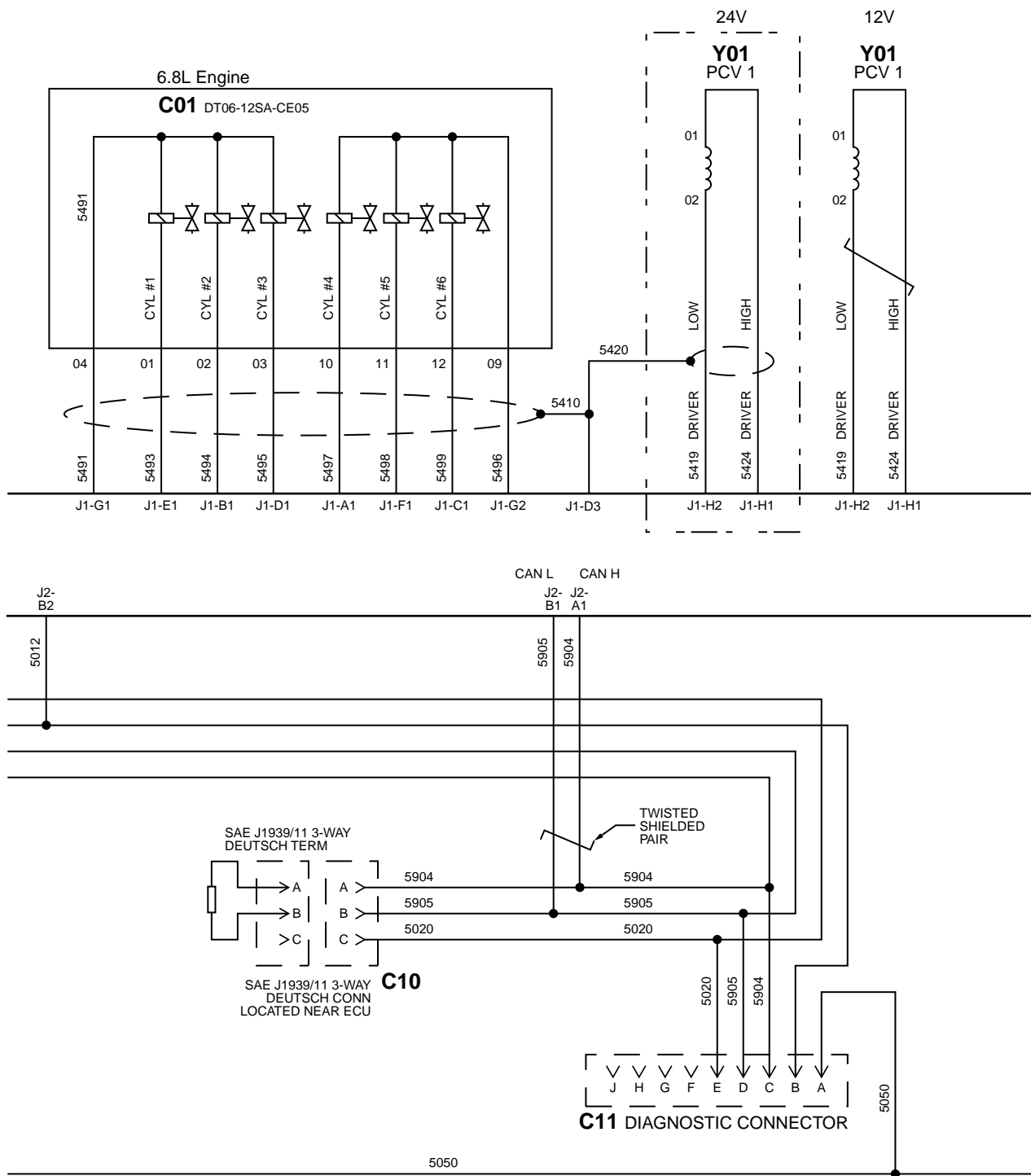


- | | | | |
|------------------------------|----------------------------------------------|-------------------------|------------------------------|
| 5012— IGN | 5474— Wait to Start | 5904— CAN High | 5936— Resume Coast/Bump Down |
| 5020— CAN Shield | 5616— Excitation Voltage (+5V) | 5905— CAN Low | 5947— Throttle Switch |
| 5032— Fused Unswitched Power | 5714— Sensor Return/Override Shutdown Return | 5915— Analog Throttle | 5955— Set Accel/Bump Up |
| 5050— Ground | 5814— Sensor Return | 5916— Warning Lamp | 5923— Bump Enable |
| 5412— ACC | | 5918— Override Shutdown | |
| 5422— Start | | 5923— Bump Enable | |
| 5439— Tachometer | | | |

Continued on next page

RG19661,00003E1 -19-11FEB13-1/2

RG15322A—UN—27JAN11



C10— Deutsch Conn. Located Near ECU

C11— Diagnostic Connector

5419— Driver Low
5424— Driver High

RG19661,00003E1 -19-11FEB13-2/2

RG15323A—UN—27JAN11

Engine Troubleshooting

NOTE: If using BIODIESEL blends above B20, the possibility of some of the symptoms listed below, such as power loss, could increase.

NOTE: Before troubleshooting the engine, first retrieve any fault codes on the diagnostic gauge display and perform the corrective actions. (See information later in this section.) If any problems remain, use the following charts to solve engine problems.

Symptom	Problem	Solution
Engine cranks but will not start	Incorrect starting procedure.	Verify correct starting procedure.
	No fuel.	Check fuel in tank and manual shut-off valve.
	Exhaust restricted.	Check and correct exhaust restriction.
	Fuel filter plugged or full of water.	Replace fuel filter or drain water from filter.
	Injection pump not getting fuel or air in fuel system.	Check fuel flow at supply pump or bleed fuel system.
	Faulty injection pump or nozzles.	Consult authorized diesel repair station for repair or replacement.
Engine hard to start or will not start	Engine starting under load.	Disengage PTO (if equipped).
	Improper starting procedure.	Review starting procedure.
	No fuel.	Check fuel tank.
	Air in fuel line.	Bleed fuel line.
	Cold weather.	Use cold weather starting aids.
	Slow starter speed.	See "Starter Cranks Slowly".
	Crankcase oil too heavy.	Use oil of proper viscosity.
	Improper type of fuel.	Consult fuel supplier; use proper type fuel for operating conditions.
	Water, dirt, or air in fuel system.	Drain, flush, fill, and bleed system.
	Clogged fuel filter.	Replace filter element.
	Dirty or faulty injection nozzles.	Have authorized servicing dealer or engine distributor check injectors.
	Electronic fuel system problem	See your authorized servicing dealer
	Injection pump shut-off not reset.	Turn key switch to "OFF" then to "ON".
Engine knocks	Low engine oil level.	Add oil to engine crankcase.

Continued on next page

OUOD006,0000113 -19-13NOV13-1/5

Symptom	Problem	Solution
	Injection pump out of time.	See your authorized servicing dealer or engine distributor.
	Low coolant temperature.	Remove and check thermostat.
	Engine overheating.	See "Engine Overheats".
Engine runs irregularly or stalls frequently	Low coolant temperature.	Remove and check thermostat.
	Clogged fuel filter.	Replace fuel filter element.
	Water, dirt, or air in fuel system.	Drain, flush, fill, and bleed system.
	Poor quality fuel.	Change to better quality fuel.
	Dirty or faulty injection nozzles.	Have authorized servicing dealer or engine distributor check injectors.
	Electronic fuel system problem	See your authorized servicing dealer
Below normal engine temperature	Defective thermostat.	Remove and check thermostat.
	Defective temperature gauge or sender.	Check gauge, sender, and connections.
Lack of power	Engine overloaded.	Reduce load.
	Intake air restriction.	Service air cleaner.
	Clogged fuel filter.	Replace filter elements.
	Improper type of fuel.	Use proper fuel.
	Overheated engine.	See "Engine Overheats".
	Below normal engine temperature.	Remove and check thermostat.
	Improper valve clearance.	See your authorized servicing dealer or engine distributor.
	Dirty or faulty injection nozzles.	Have authorized servicing dealer or engine distributor check injectors.
	Injector tip deposits	Use John Deere approved biodiesel fuel conditioners containing detergents.
	Injection pump out of time.	See your authorized servicing dealer or engine distributor.
	Turbocharger not functioning. (Turbocharger engines only.)	See your authorized servicing dealer or engine distributor.

Continued on next page

OUOD006,0000113 -19-13NOV13-2/5

Symptom	Problem	Solution
	Leaking exhaust manifold gasket.	See your authorized servicing dealer or engine distributor.
	Defective aneroid control line.	See your authorized servicing dealer or engine distributor.
	Restricted fuel hose.	Clean or replace fuel hose.
	Low fast idle speed.	See your authorized servicing dealer or engine distributor.
	Damaged propeller	Have propeller checked.
	Marine growth	Clean hull.
Low oil pressure	Low oil level.	Add oil.
	Improper type of oil.	Drain, fill crankcase with oil of proper viscosity and quality.
High oil consumption	Crankcase oil too light.	Use proper viscosity oil.
	Oil leaks.	Check for leaks in lines, gaskets, and drain plug.
	Restricted crankcase vent tube.	Clean vent tube.
	Defective turbocharger (if equipped).	See your authorized servicing dealer or engine distributor.
Engine emits white smoke	Improper type of fuel.	Use proper fuel.
	Low engine temperature.	Warm up engine to normal operating temperature.
	Defective thermostat.	Remove and check thermostat.
	Defective injection nozzles.	See your authorized servicing dealer or engine distributor.
	Engine out of time.	See your authorized servicing dealer or engine distributor.
Engine emits black or gray exhaust smoke	Improper type of fuel.	Use proper fuel.
	Clogged or dirty air cleaner.	Service air cleaner.
	Engine overloaded.	Reduce load.

Continued on next page

OUOD006,0000113 -19-13NOV13-3/5

Symptom	Problem	Solution
	Fuel injectors dirty.	Use John Deere approved biodiesel or diesel fuel conditioners containing detergents. If no improvement is seen, see your authorized servicing dealer or engine distributor.
	Engine out of time.	See your authorized servicing dealer or engine distributor.
	Turbocharger not functioning.	See your authorized servicing dealer or engine distributor.
	Electronic fuel system problem	See your authorized servicing dealer
Engine overheats	Engine overloaded.	Reduce load.
	Low coolant level.	Fill coolant tank to proper level, check coolant tank and hoses for loose connections or leaks.
	Faulty coolant tank cap.	Have serviceman check.
	Stretched poly-vee belt or defective belt tensioner.	Check automatic belt tensioner and check belts for stretching. Replace as required.
	Faulty sea (raw) water pump.	Check/replace impeller/pump.
	Low engine oil level.	Check oil level. Add oil as required.
	Cooling system needs flushing.	Flush cooling system.
	Defective thermostat.	Remove and check thermostat.
	Defective temperature gauge or sender.	Check water temperature with thermometer and replace, if necessary.
	Electronic fuel system problem	See your authorized servicing dealer
	Incorrect grade of fuel.	Use correct grade of fuel.
	Plugged heat exchanger.	Clean heat exchanger and core.
	Plugged keel cooler.	Flush and clean keel cooler. Check for marine growth on O.D. of keel cooler tubes.
	Trash or debris in engine compartment.	Clean engine compartment.
High fuel consumption	Improper type of fuel.	Use proper type of fuel.
	Clogged or dirty air cleaner.	Service air cleaner.

Continued on next page

OUOD006,0000113 -19-13NOV13-4/5

Symptom	Problem	Solution
	Engine overloaded.	Reduce load.
	Improper valve clearance.	See your authorized servicing dealer or engine distributor.
	Injection nozzles dirty.	See your authorized servicing dealer or engine distributor.
	Injector tip deposits	Use John Deere approved biodiesel fuel conditioners containing detergents.
	Engine out of time.	See your authorized servicing dealer or engine distributor.
	Defective turbocharger.	See your authorized servicing dealer or engine distributor.
	Low engine temperature.	Check thermostat.

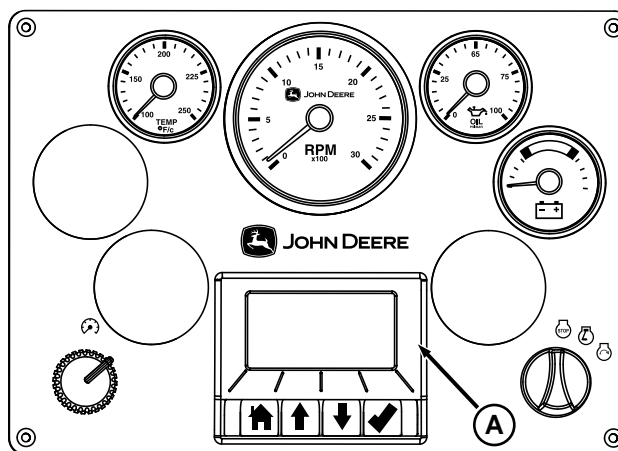
OUOD006,0000113 -19-13NOV13-5/5

Instrument Panel Method for Retrieving Diagnostic Trouble Codes

IMPORTANT: Care should be used during diagnostic procedures to avoid damaging the terminals of connectors, sensors, and actuators. Probes should not be poked into or around the terminals or damage will result. Probes should only be touched against the terminals to make measurements.

Diagnosis of the electronic control system should be performed according to the following procedure:

1. Make sure all engine mechanical and other systems not related to the electronic control system are operating properly.
2. Read and record diagnostic trouble codes (DTCs) displayed on the diagnostic gauge (A). To access trouble codes on diagnostic gauge (A), see Section 15 of this manual.
3. Go to the LISTING OF DIAGNOSTIC TROUBLE CODES (DTCs) later in this section, to interpret the DTCs present.



Diagnostic Gauge

A—Diagnostic Gauge

4. Contact your nearest engine distributor or servicing dealer with a list of DTC codes that are displayed so necessary repairs can be made.

OURGP11,00000BB -19-01MAR17-1/1

RG29319 —UN—23FEB17

Diagnostic Trouble Codes (DTCs) — Operation

SPN/FMI CODES

Stored and active diagnostic trouble codes are output on the diagnostic gauge on the Deere electronic instrument panel according to the J1939 standard as a two-part code as shown on the tables on the following pages.

The first part is a Suspect Parameter Number (SPN) followed by a Failure Mode Identifier (FMI) code. In order to determine the exact failure, both parts (SPN and FMI) of the code are needed.

The SPN identifies the system or the component that has the failure; for example SPN 000110 indicates a failure in the engine coolant temperature circuit.

The FMI identifies the type of failure that has occurred; for example FMI 03 indicates value above normal. Combining SPN 000110 with FMI 03 yields a fault code “engine coolant temperature input voltage too high”. A corrective action will also be displayed, “check sensor and wiring”. If this check does not solve the engine fault, contact your servicing dealer.

Always contact your servicing dealer for help in correcting unsolved diagnostic trouble codes which are displayed for your engine.

RK80614,000004A -19-26AUG13-1/1

Diagnostic Trouble Codes (DTCs) — Listing

NOTE: Not all of these codes are used in all engine applications.

NOTE: Not all DTCs are listed below. See your application technical manual for more information.

There are several possible combinations of SPN and FMI codes. To use the table below, first write down the SPN and FMI codes you received from the engine diagnostic gauge. Locate each SPN and its associated definition. In the same way, locate the FMI and its associated definition.

FMI Code	FMI Name
0	Extremely High
1	Extremely Low
2	Invalid
3	Out of Range High
4	Out of Range Low
5	High Resistance
6	Low Resistance
7	Mismatch
8	Signal Missing
9	Loss of Communication
10	Change Abnormal
11	Activated
12	Error
13	Fault
14	Incorrect Message
15	Slightly High
16	Moderately High
17	Slightly Low
18	Moderately Low
19	Communication Error
31	Condition Exists

SPN Code	SPN Name
000028	Digital Throttle
000029	Secondary Analog Throttle
000084	Vehicle Speed
000091	Primary Analog Throttle
000094	Low Pressure Fuel Pressure Signal
000097	Water-in-fuel Signal
000100	Engine Oil Pressure Signal
000102	Manifold Air Pressure Signal
000105	Manifold Air Temperature Signal
000107	Air Filter Restriction Switch
000108	Barometric Pressure Signal
000110	Engine Coolant Temperature Signal
000111	Engine Coolant Level Alarm Switch
000157	Fuel Rail Pressure Signal
000158	ECU Power Down
000160	Vehicle Speed Signal
000171	Ambient Air Temperature
000174	Fuel Temperature Signal
000189	Engine Speed Derate
000190	Engine Speed
000611	Injector Drive #1
000627	Injector Power Supply
000629	ECU EEPROM
000636	Camshaft Position Signal
000637	Crankshaft Position Signal
000640	External Derate Commanded
000644	Speed Input
000651	Injector #1
000652	Injector #2

Continued on next page

ZE59858,0000192 -19-24OCT13-1/2

Troubleshooting

SPN Code	SPN Name
000653	Injector #3
000654	Injector #4
000655	Injector #5
000656	Injector #6
000676	Cold Start Aid
000695	Unapproved Engine Speed Request
000898	Vehicle Speed or Torque
000970	External Shutdown Switch
000971	External Fuel Derate Switch
001075	Low Pressure Fuel Pump Data
001109	Engine Protection Shutdown Warning
001110	Engine Protection Shutdown
001136	ECU Temperature Signal
001172	Intake Air Temperature
001180	Calculated VGT Turbine Inlet Temp
001321	Engine Starter Control Circuit
001347	Suction Control Valve
001349	Fuel Rail Pressure
001569	Engine in Derate Condition
002000	Security Violation
002002-002253	Source Address 2-253
002790	Fixed Turbocharger Compressor Outlet Temp
002795	VGT Calibration Version
003509	Sensor Supply #1 Voltage
003510	Sensor Supply #2 Voltage
003511	Sensor Supply #3 Voltage
003512	Sensor Supply #4 Voltage
003513	Sensor Supply #5 Voltage
516598	Engine Overload Condition
524225	Engine Start Protection

NOTE: Diagnostic gauge on instrument panel may also display text for communication faults, such as "CAN Bus FAILURE". Contact your servicing dealer.

ZE59858,0000192 -19-24OCT13-2/2

Intermittent Fault Diagnostics

Intermittent faults are problems that periodically “go away”. A problem such as a terminal that intermittently doesn't make contact can cause an intermittent fault. Other intermittent faults may be set only under certain operating conditions such as heavy load, extended idle, etc. When diagnosing intermittent faults, take special note of the condition of wiring and connectors, since a high percentage of intermittent problems originates here. Check for loose, dirty, or disconnected connectors. Inspect the wiring routing, looking for possible shorts caused by contact with external parts (for example, rubbing against sharp sheet metal edges). Inspect the connector vicinity, looking for wires that have pulled out of connector terminals, damaged connectors, poorly positioned terminals, and corroded or damaged splices and terminals. Look for broken wires, damaged splices, and wire-to-wire shorts. Use good judgment if component replacement is thought to be required.

NOTE: The engine control unit (ECU) is the component LEAST likely to fail.

Suggestions for diagnosing intermittent faults:

- If diagnostic charts on preceding pages indicate that the problem is intermittent, try to reproduce the operating conditions that were present when the diagnostic trouble code (DTC) set.
- If a faulty connection or wire is suspected to be the cause of the intermittent problem: clear DTCs, then check the connection or wire by wiggling it while watching the diagnostic gauge to see if the fault resets.

Possible causes of intermittent faults:

- Faulty connection between sensor or actuator harness.
- Faulty contact between terminals in connector.
- Faulty terminal/wire connection.
- Electromagnetic interference (EMI) from an improperly installed 2-way radio, etc., can cause faulty signals to be sent to the ECU.

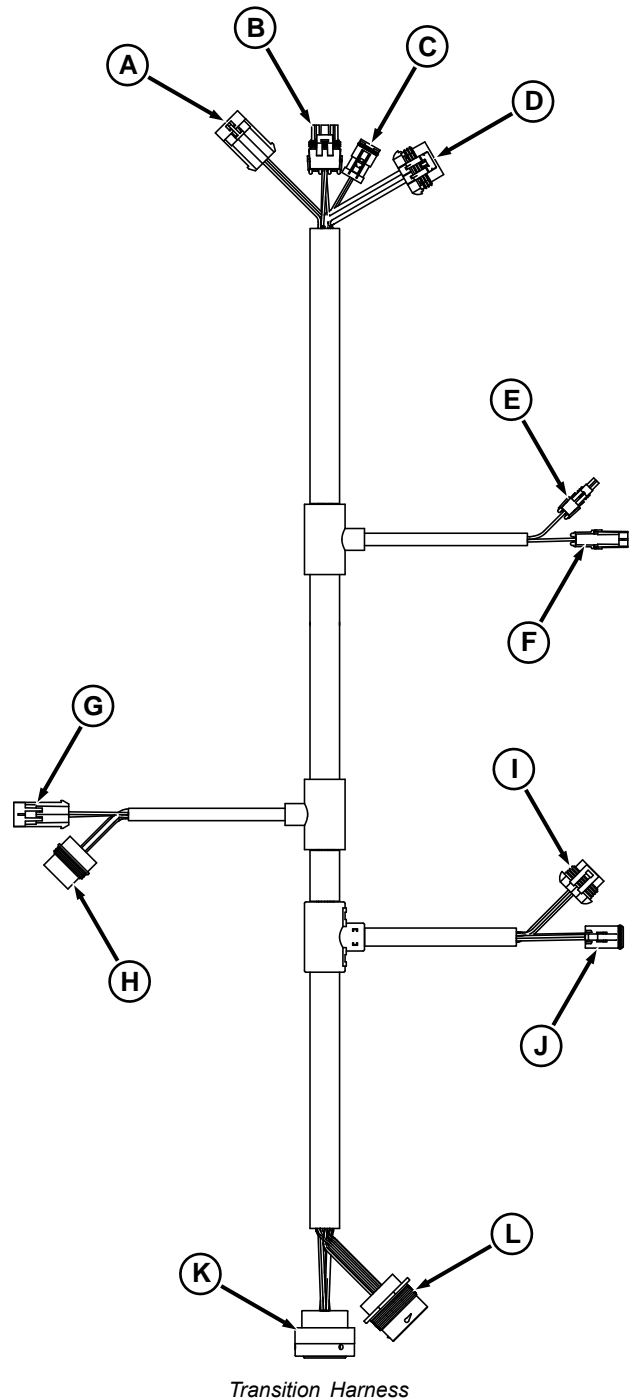
NOTE: Refer to wiring diagrams later in this section as a guide to connections and wiring.

RK80614.000004C -19-26AUG13-1/1

Transition Harness

The marine transition harness connects the engine wiring harness and the main instrument panel. The engine end of the transition harness contains connections for the 21- and 23-pin connectors, the starter cutout relay, an external shutdown connection, station select and an auxiliary analog throttle input. The instrument panel end of the harness contains connectors for station select/engine sync, engine sync in and out, power and starting circuit wiring for the instrument panel, wheelhouse analog throttle and CAN bus connection.

- | | |
|-----------------------------------------------|---------------------------------------------|
| A— Wheelhouse Station Select Input | G— External Shutdown Connector |
| B— Wheelhouse Throttle Input | H— Starter Cutout Relay |
| C— CAN Connector (to marine instrument panel) | I— Auxiliary Throttle Input |
| D— Battery (+), Ground (—) | J— Auxiliary Station Select Input |
| E— Engine Sync Input | K— 23-Pin Connector (engine wiring harness) |
| F— Engine Sync Output | L— 21-Pin Connector (engine wiring harness) |



Transition Harness

RG22395 —UN—05FEB13

RG19661.00003DD -19-13SEP13-1/1

Storage

Engine Storage Guidelines

IMPORTANT: Special considerations should be taken prior to storage when using BioDiesel. See BioDiesel Fuel in the Fuels, Lubricants, and Coolant Section.

1. John Deere engines can be stored outside for up to three months with no long-term preparation if covered by a waterproof covering. No outside storage is recommended without a waterproof covering.
2. John Deere engines can be stored in a standard overseas shipping container for up to three months with no long-term preparation.
3. John Deere engines can be stored inside for up to six months with no long-term preparation.
4. John Deere engines expected to be stored more than six months **must** have long-term storage preparation. See Preparing Engine for Long-Term Storage in the Storage Section.

OUID006,0000114 -19-04FEB15-1/1

Preparing Engine for Long-Term Storage

IMPORTANT: Any time the engine is not used for over six months, the following recommendations for storing it and removing it from storage helps to minimize corrosion and deterioration.

IMPORTANT: Long-term storage is not advised when using BioDiesel. For storage longer than one year, use straight hydrocarbon fuel.

If BioDiesel must be used it is recommended the blend not exceed B7 and a high-quality fuel stabilizer be used. Storage should not exceed one year.

For more information see BioDiesel Fuel in the Fuels, Lubricants, and Coolants Section.

NOTE: The following storage preparations are used for long-term engine storage up to one year. After that, the engine should be started, warmed up, and retreated for an extended storage period.

1. Change engine oil and replace filter. Used oil does not give adequate protection. Add 30 mL of rust preventive oil to the engine crankcase for every 1 L of engine oil, or 1 oz. of rust preventative oil per 1 qt. of engine oil. This rust preventive oil should be an SAE 10W oil with 1%-4% morpholine or equivalent vapor corrosion inhibitor, such as NOX RUST VCI-10 OIL from Daubert Chemical Company, Inc.
 2. Replace air cleaner.
 3. Draining and flushing of cooling system is not necessary if the engine is only stored for less than one year. However, for extended storage periods of a year or longer, it is recommended that the cooling system be drained, flushed, and refilled. Refill with appropriate coolant. See Diesel Engine Coolant (engine with wet sleeve cylinder liners) in the Fuels, Lubricants, and Coolants Section.
 4. Prepare a solution of diesel fuel and rust preventive oil in a temporary container, add 78 mL of rust preventive oil per 1 L of diesel fuel, 10 oz. of rust preventive oil per 1 gal. of diesel fuel.
 5. Remove existing lines and plugs as required. Run a temporary line from the temporary container to the engine fuel intake before the fuel filters, and another temporary line from the fuel return to the temporary container, so rust preventive oil solution is circulated through the injection system during cranking.
- IMPORTANT: Do not operate starter more than 30 seconds at a time. Wait at least 2 minutes for starter to cool before trying again.**
6. Crank the engine several revolutions with starter. Do not allow the engine to start. This allows rust preventive oil solution to circulate.
See your authorized dealer for the proper procedure for your application.
 7. Remove temporary lines installed in Step 5 and replace any lines or plugs previously removed.
 8. Loosen (or remove) and store fan and alternator poly-vee belt.
 9. Remove and clean batteries. Store them in a cool, dry place and keep them fully charged.
 10. Disengage the clutch for any driveline.
 11. Clean the exterior of the engine with salt-free water and touch up any scratched or chipped painted surfaces with a good quality paint.
 12. Coat all exposed bare metal surfaces with grease or corrosion inhibitor if not feasible to paint.
 13. Seal all openings on engine with plastic bags and tape.
 14. Store the engine in a dry protected place. If engine must be stored outside, cover it with a waterproof canvas or other suitable protective material and use a strong waterproof tape.

OUID006,00000FC -19-28APR16-1/1

Removing Engine from Long-Term Storage

NOTE: The following storage removal procedure is used for long-term engine storage up to one year. After that, the engine should be started, warmed up, and retreated for an extended storage period.

Refer to the appropriate section for detailed services listed below or have an authorized servicing dealer or engine distributor perform unfamiliar services.

1. Remove all protective coverings from engine. Unseal all openings in engine and remove covering from electrical systems.
2. Remove grease from all exposed metal surfaces.
3. Remove the batteries from storage. Install batteries (fully charged) and connect the terminals.
4. Install fan and alternator poly-vee belt, if removed.
5. Fill fuel tank.
6. Perform all appropriate prestarting checks. See Daily Prestarting Checks in the Lubrication & Maintenance — Daily Section for more information.
7. Open sea water valve and prime the sea water system.

IMPORTANT: DO NOT operate starter more than 30 seconds at a time. Wait at least 2 minutes for starter to cool before trying again.

8. Crank engine for 20 seconds with starter. Do not allow the engine to start. Wait 2 minutes and crank engine an additional 20 seconds to assure bearing surfaces are adequately lubricated.

See your authorized dealer for the proper procedure for your application.

9. Start engine and run at low idle and no load for 15 minutes.
10. Shut engine off. Change engine oil and replace filter.
11. Warm up engine and check all gauges before placing engine under load.
12. On the first day of operation after storage, check overall engine for leaks and check all gauges for correct operation.

NOTE: If using BioDiesel blends after long-term storage, frequency of fuel filter plugging can increase initially.

OUOD006,0000115 -19-24OCT13-1/1

Specifications

General Marine Engine Specifications — 4.5L

ITEM	UNIT OF MEASURE	ENGINE MODEL 4045TFM85	ENGINE MODEL 4045AFM85
General Data			
Engine Type		In-line, 4 cycle diesel	In-line, 4 cycle diesel
Aspiration		Turbocharged	Turbocharged and coolant aftercooled
Number of Cylinders		4	4
Bore	mm (in.)	107 (4.21)	107 (4.21)
Stroke	mm (in.)	127 (5.00)	127 (5.00)
Displacement	L (cu in.)	4.5 (273)	4.5 (273)
Compression Ratio		16.0:1	16.7:1
Physical Dimensions			
Width	mm (in.)	715 (28.1)	770 (30.3)
Height	mm (in.)	912 (35.9)	964 (37.9)
Length	mm (in.)	1007 (39.6)	1105 (43.5)
Weight (approximate) ^a	kg (lb)	507 (1117)	578 (1274)
Performance Data			
See Engine Power and Speed Ratings in the Specifications Section.			
Lubrication System (Propulsion Applications)			
Oil Pressure at Rated rpm (±35%)	kPa (psi)	—	436 (63)
Oil Pressure at Low Idle (800 rpm)	kPa (psi)	—	213 (31)
Lubrication System (Generator Applications)			
Oil Pressure at Rated rpm (±35%)	kPa (psi)	290 (42)	378 (55)
Cooling System			
Recommended Pressure Cap	kPa (psi)	110 (16)	110 (16)
Coolant Temperature Operating Range	°C (°F)	82-95 (180-203)	71-83 (160-182)
Coolant Temperature (Maximum)	°C (°F)	110 (230)	110 (230)
Coolant Capacity (Including Heat Exchanger)	L (qt)	14 (15)	17 (18)
Fuel System			
ECU Level		L16	L14
Fuel Injection Type		HPCR	HPCR
Primary Fuel Filter		10 micron	10 micron
Secondary Fuel Filter		2 micron	2 micron
Electrical System			
Battery Capacity (Minimum)- 12 Volt System	CCA	640	640
Battery Capacity (Minimum)- 24 Volt System	CCA	570	570
Air System			
Maximum Air Intake Restriction	(kPa) (Bar) (psi)	6.25 (0.0625) (1.0)	6.25 (0.0625) (1.0)
Maximum Exhaust Back Pressure	(kPa) (Bar) (psi)	7.5 (0.075) (1.09)	7.5 (0.075) (1.09)

^aIncludes engine oil. Excludes engine coolant.

RG19661,00003E8 -19-03DEC13-1/1

General Marine Engine Specifications — 6.8L

ITEM	UNIT OF MEASURE	ENGINE MODEL 6068SFM85	ENGINE MODEL 6068AFM85
General Data			
Engine Type		In-line, 4 cycle diesel	In-line, 4 cycle diesel
Aspiration		Turbocharged and seawater after cooled	Turbocharged and coolant after cooled
Number of Cylinders		6	6
Bore	mm (in.)	106 (4.17)	106 (4.17)
Stroke	mm (in.)	127 (5.00)	127 (5.00)
Displacement	L (cu in.)	6.8 (415)	6.8 (415)
Compression Ratio		16.3:1	16.7:1
Physical Dimensions:			
Width	mm (in.)	872 (34.3)	854 (33.6)
Height	mm (in.)	938 (36.9)	912 (38.7)
Length	mm (in.)	1317 (51.9)	1333 (52.5)
Basic Dry Weight	kg (lb)	764 (1684)	787 (1735)
Performance Data			
Engine Power and Speed Ratings		See Engine Power and Speed Ratings in the Specifications Section.	
Lubrication System (Propulsion Applications)			
Oil Pressure at Rated rpm (±35%)	kPa (psi)	415 (60)	310 (45)
Oil Pressure at Low Idle	kPa (psi)	180 (26)	150 (22)
Engine Oil Capacity		See Engine Crankcase Oil Fill Quantities in the Specifications Section.	
Lubrication System (Generator Applications)			
Oil Pressure at Rated rpm (±35%)	kPa (psi)	341 (49)	299 (43)
Engine Oil Capacity		See Engine Crankcase Oil Fill Quantities in the Specifications Section.	
Cooling System			
Recommended Pressure Cap	kPa (psi)	110 (16)	110 (16)
Coolant Temperature Operating Range	°C (°F)	82-94 (180-202)	81-95 (178-203)
Coolant Temperature (Maximum)	°C (°F)	110 (230)	110 (230)
Coolant Capacity (Including Heat Exchanger)	L (qt)	31.5 (33.5)	34 (36)
Fuel System			
ECU Level		L14	L14
Fuel Injection Type		HPCR	HPCR
Primary Fuel Filter		10 micron	10 micron
Secondary Fuel Filter		2 micron	2 micron
Electrical System			
Battery Capacity (Minimum)- 12 Volt System	CCA	925	925
Battery Capacity (Minimum)- 24 Volt System	CCA	625	625
Air System			
Maximum Air Intake Restriction	(kPa) (Bar) (psi)	6.25 (0.0625) (1.0)	6.25 (0.0625) (1.0)
Maximum Exhaust Back Pressure	(kPa) (Bar) (psi)	7.5 (0.075) (1.09)	7.5 (0.075) (1.09)

RG19661,00003E9 -19-25JAN16-1/1

Specifications

Engine Power And Speed Ratings

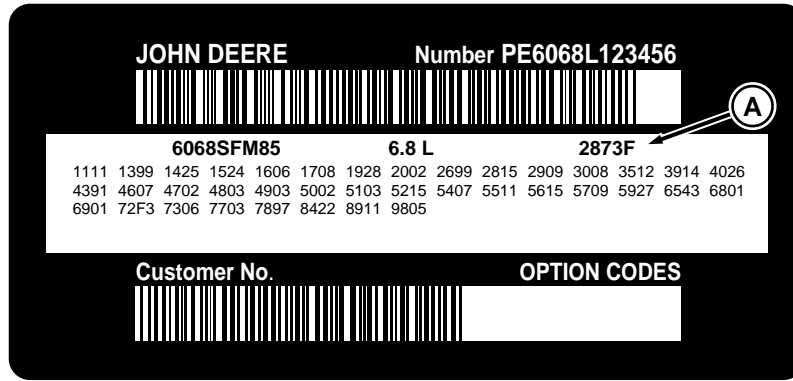
Engine Model	Application Rating	Power Rating @ Rated Speed Without Fan kW (hp) ^a	Rated Speed ^b (rpm)	Slow Idle (rpm)	Peak Torque (rpm)
4045TFM85	M1	75 (100)	2400	600	1500
	M2	93 (125)	2500	600	1800
	Gen-Set 60 Hz	74 (99)	1800	1800	—
	Gen-Set 50 Hz	61 (82)	1500	1500	—
4045AFM85	M1	119 (160)	2300	600	1800
	M2	134 (180)	2400	600	2000
	M3	149 (200)	2500	600	2000
	M4	168 (225)	2600	600	2100
	Gen-Set 60 Hz	110 (148)	1800	1800	—
	Gen-Set 50 Hz	89 (120)	1500	1500	—
6068AFM85	M1	172 (230)	2300	600	1700
	M2	198 (265)	2400	600	1800
	M3	224 (300)	2500	600	1900
	M4	246 (330)	2600	600	1900
	Gen-Set 60 Hz	166 (223)	1800	1800	—
	Gen-Set 50 Hz	139 (186)	1500	1500	—
6068SFM85	M1	186 (249)	2400	600	1700
	M2	209 (280)	2500	600	1800
	M3	239 (321)	2600	600	1900
	M4	265 (355)	2700	600	2000
	M5	298 (400)	2800	600	2200
	Gen-Set 60 Hz	195 (262)	1800	1800	—
	Gen-Set 50 Hz	168 (226)	1500	1500	—

^aEngine speeds listed are preset to factory specification. Slow idle speed may be reset depending upon specific boat application requirements. Refer to your boat operator's manual for engine speeds that are different from those preset at the factory.

^bGenerator set engines (3-5% governor) usually run at 1500 rpm (50 Hz) or 1800 (60 Hz) when operating under load depending on cycles of AC current.

RG19661,00003FB -19-09JAN15-1/1

Engine Crankcase Oil Fill Quantities



Option Code Label

RG24322 —UN—05SEP13

A—Engine Base Code

Each engine has a 13-digit John Deere engine serial number. The first two digits identify the factory that produced the engine:

“CD” indicates that the engine was built in Saran, France and “PE” indicates Torreón, Mexico.

In addition to the serial number plate, Marine engines have an engine option code label affixed to the rocker arm cover. These codes indicate which of the engine options were installed on your engine at the factory. When in need of parts or service, furnish your authorized servicing dealer or engine distributor with these numbers.

The engine option code label includes an engine base code (A). At times it will be necessary to furnish this base

code to differentiate two identical option codes for the same engine model.

To determine the option code for the oil fill quantity of your engine, refer to the engine option code label affixed to the rocker arm cover. The first two digits of the code (40) identify the dipstick tube group. The last two digits of each code identify the specific dipstick and tube assembly on your engine.

Listed below are engine crankcase oil fill quantities:

Engine Model	Oil Pan Option Code (s)	Crankcase Oil Capacity
4045TFM85	1954	13.0 L (14 qt.)
	19AG	15.0 L (16 qt.)
4045AFM85	19CZ	18.0 L (19 qt.)
6068SFM85	19BP	19.0 L (20 qt.)
6068AFM85	19BP	19.0 L (20 qt.)

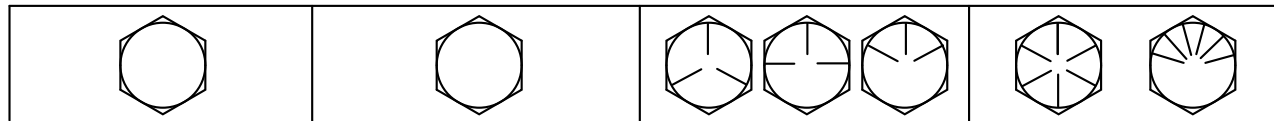
NOTE: Crankcase oil capacity may vary slightly from amount shown. ALWAYS fill crankcase to full

mark or between arrows on dipstick, whichever is present. DO NOT overfill.

RG19661.00003CD -19-06SEP13-1/1

Unified Inch Bolt and Screw Torque Values

TS1671 —UN—01MAY03



Bolt or Screw Size	SAE Grade 1				SAE Grade 2 ^a				SAE Grade 5, 5.1 or 5.2				SAE Grade 8 or 8.2			
	Lubricated ^b		Dry ^c		Lubricated ^b		Dry ^c		Lubricated ^b		Dry ^c		Lubricated ^b		Dry ^c	
	N·m	lb.-in.	N·m	lb.-in.	N·m	lb.-in.	N·m	lb.-in.	N·m	lb.-in.	N·m	lb.-in.	N·m	lb.-in.	N·m	lb.-in.
1/4	3.7	33	4.7	42	6	53	7.5	66	9.5	84	12	106	13.5	120	17	150
													N·m	lb.-ft.	N·m	lb.-ft.
5/16	7.7	68	9.8	86	12	106	15.5	137	19.5	172	25	221	28	20.5	35	26
									N·m	lb.-ft.	N·m	lb.-ft.				
3/8	13.5	120	17.5	155	22	194	27	240	35	26	44	32.5	49	36	63	46
			N·m	lb.-ft.	N·m	lb.-ft.	N·m	lb.-ft.								
7/16	22	194	28	20.5	35	26	44	32.5	56	41	70	52	80	59	100	74
	N·m	lb.-ft.														
1/2	34	25	42	31	53	39	67	49	85	63	110	80	120	88	155	115
9/16	48	35.5	60	45	76	56	95	70	125	92	155	115	175	130	220	165
5/8	67	49	85	63	105	77	135	100	170	125	215	160	240	175	305	225
3/4	120	88	150	110	190	140	240	175	300	220	380	280	425	315	540	400
7/8	190	140	240	175	190	140	240	175	490	360	615	455	690	510	870	640
1	285	210	360	265	285	210	360	265	730	540	920	680	1030	760	1300	960
1-1/8	400	300	510	375	400	300	510	375	910	670	1150	850	1450	1075	1850	1350
1-1/4	570	420	725	535	570	420	725	535	1280	945	1630	1200	2050	1500	2600	1920
1-3/8	750	550	950	700	750	550	950	700	1700	1250	2140	1580	2700	2000	3400	2500
1-1/2	990	730	1250	930	990	730	1250	930	2250	1650	2850	2100	3600	2650	4550	3350

Torque values listed are for general use only, based on the strength of the bolt or screw. DO NOT use these values if a different torque value or tightening procedure is given for a specific application. For plastic insert or crimped steel type lock nuts, for stainless steel fasteners, or for nuts on U-bolts, see the tightening instructions for the specific application. Shear bolts are designed to fail under predetermined loads. Always replace shear bolts with identical grade.

Replace fasteners with the same or higher grade. If higher grade fasteners are used, tighten these to the strength of the original. Make sure fastener threads are clean and that you properly start thread engagement. When possible, lubricate plain or zinc plated fasteners other than lock nuts, wheel bolts or wheel nuts, unless different instructions are given for the specific application.

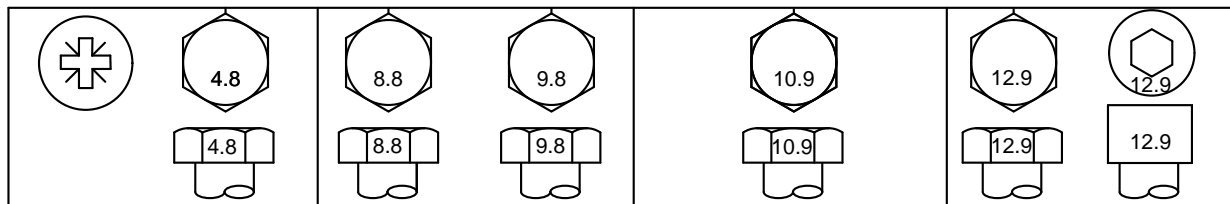
^aGrade 2 applies for hex cap screws (not hex bolts) up to 6 in. (152 mm) long. Grade 1 applies for hex cap screws over 6 in. (152 mm) long, and for all other types of bolts and screws of any length.

^b"Lubricated" means coated with a lubricant such as engine oil, fasteners with phosphate and oil coatings, or 7/8 in. and larger fasteners with JDM F13C, F13F or F13J zinc flake coating.

^c"Dry" means plain or zinc plated without any lubrication, or 1/4 to 3/4 in. fasteners with JDM F13B, F13E or F13H zinc flake coating.

Metric Bolt and Screw Torque Values

TS1670 —UN—01MAY03



Bolt or Screw Size	Class 4.8				Class 8.8 or 9.8				Class 10.9				Class 12.9			
	Lubricated ^a		Dry ^b		Lubricated ^a		Dry ^b		Lubricated ^a		Dry ^b		Lubricated ^a		Dry ^b	
	N-m	lb.-in.	N-m	lb.-in.	N-m	lb.-in.	N-m	lb.-in.	N-m	lb.-in.	N-m	lb.-in.	N-m	lb.-in.	N-m	lb.-in.
M6	4.7	42	6	53	8.9	79	11.3	100	13	115	16.5	146	15.5	137	19.5	172
M8	11.5	102	14.5	128	22	194	27.5	243	32	23.5	40	29.5	37	27.5	47	35
			N-m	lb.-ft.	N-m	lb.-ft.	N-m	lb.-ft.								
M10	23	204	29	21	43	32	55	40	63	46	80	59	75	55	95	70
	N-m	lb.-ft.														
M12	40	29.5	50	37	75	55	95	70	110	80	140	105	130	95	165	120
M14	63	46	80	59	120	88	150	110	175	130	220	165	205	150	260	190
M16	100	74	125	92	190	140	240	175	275	200	350	255	320	235	400	300
M18	135	100	170	125	265	195	330	245	375	275	475	350	440	325	560	410
M20	190	140	245	180	375	275	475	350	530	390	675	500	625	460	790	580
M22	265	195	330	245	510	375	650	480	725	535	920	680	850	625	1080	800
M24	330	245	425	315	650	480	820	600	920	680	1150	850	1080	800	1350	1000
M27	490	360	625	460	950	700	1200	885	1350	1000	1700	1250	1580	1160	2000	1475
M30	660	490	850	625	1290	950	1630	1200	1850	1350	2300	1700	2140	1580	2700	2000
M33	900	665	1150	850	1750	1300	2200	1625	2500	1850	3150	2325	2900	2150	3700	2730
M36	1150	850	1450	1075	2250	1650	2850	2100	3200	2350	4050	3000	3750	2770	4750	3500

Torque values listed are for general use only, based on the strength of the bolt or screw. DO NOT use these values if a different torque value or tightening procedure is given for a specific application. For stainless steel fasteners or for nuts on U-bolts, see the tightening instructions for the specific application. Tighten plastic insert or crimped steel type lock nuts by turning the nut to the dry torque shown in the chart, unless different instructions are given for the specific application.

Shear bolts are designed to fail under predetermined loads. Always replace shear bolts with identical property class. Replace fasteners with the same or higher property class. If higher property class fasteners are used, tighten these to the strength of the original. Make sure fastener threads are clean and that you properly start thread engagement. When possible, lubricate plain or zinc plated fasteners other than lock nuts, wheel bolts or wheel nuts, unless different instructions are given for the specific application.

^a“Lubricated” means coated with a lubricant such as engine oil, fasteners with phosphate and oil coatings, or M20 and larger fasteners with JDM F13C, F13F or F13J zinc flake coating.

^b“Dry” means plain or zinc plated without any lubrication, or M6 to M18 fasteners with JDM F13B, F13E or F13H zinc flake coating.

Lubrication and Maintenance Records

Using Lubrication and Maintenance Records

Refer to specific Lubrication and Maintenance Section for detailed service procedures.

1. Keep a record of the number of hours you operate your engine by regular observation of hour meter.
2. Check your record regularly to learn when your engine needs service.
3. DO ALL the services within an interval section. Write the number of hours (from your service records) and

the date in the spaces provided. For a complete listing of all items to be performed and the service intervals required, refer to the quick-reference chart near the front of the Lubrication and Maintenance Section.

IMPORTANT: The service recommendations covered in this manual are for the accessories that are provided by John Deere. Follow manufacturer's service recommendations for servicing engine driven equipment not supplied by Deere.

OURGP11,0000159 -19-28JAN04-1/1

Daily (Prestarting) Service

- Operate engine at rated speed and 50%—70% Load for a Minimum of 30 Minutes. Perform every 2 weeks. (Generator Sets Only)
- Check engine oil level.
- Check coolant level.
- Check sea water pump and strainer, if equipped.
- Check accessory drive belts.

- Drain water from fuel filters.
- Inspect wiring harness and fuses.
- Check aftercooler condensate drain, if equipped.
- Check air cleaner dust unloader valve and air filter restriction indicator, if equipped.
- Check air intake system.
- Visual walkaround inspection.

RG,RG34710,5621 -19-08NOV13-1/1

250 Hours/6 Months Service

- Change engine oil and replace oil filter.
- Service fire extinguisher.

- Service battery.
- Check engine mounts.
- Inspect and replace zinc plugs.

Hours									
Date									
Hours									
Date									
Hours									
Date									
Hours									
Date									
Hours									
Date									
Hours									
Date									
Hours									
Date									
Hours									
Date									

ZE59858,000018E -19-08NOV13-1/1

500 Hours/12 Months Service

- Replace crankcase vent filter.
- Check air intake system.
- Replace fuel filter element and clean water separator bowl.
- Check automatic belt tensioner and belt wear.
- Check cooling system.
- Inspect and clean heat exchanger core.
- Inspect and clean aftercooler core.
- Pressure test cooling system.
- Check and adjust engine speeds.
- Check engine electrical ground connections.
- Replace sea water pump impeller.

Hours									
Date									
Hours									
Date									
Hours									
Date									
Hours									
Date									
Hours									
Date									
Hours									
Date									
Hours									
Date									
Hours									
Date									

ZE59858,000018F -19-08NOV13-1/1

2000 Hours/24 Months Service

- Check and adjust engine valve clearance.
- Check crankshaft vibration damper.
- Inspect and repair sea water pump.

Hours									
Date									
Hours									
Date									
Hours									
Date									
Hours									
Date									
Hours									
Date									
Hours									
Date									
Hours									
Date									
Hours									
Date									

ZE59858,0000190 -19-08NOV13-1/1

6000 Hours/72 Months Service

- Test thermostats.

- Flush and refill cooling system.

Hours									
Date									
Hours									
Date									
Hours									
Date									
Hours									
Date									
Hours									
Date									
Hours									
Date									
Hours									
Date									
Hours									
Date									

ZE59858,0000257 -19-08NOV13-1/1

Service As Required

- Drain water from fuel filters.
- Add coolant.
- Service air cleaner element.

- Replace air cleaner element.
- Replace alternator drive belt
- Check fuses.

Hours									
Date									
Hours									
Date									
Hours									
Date									
Hours									
Date									
Hours									
Date									
Hours									
Date									
Hours									
Date									
Hours									
Date									

ZE59858,0000191 -19-08NOV13-1/1

Warranty

John Deere Warranty in OEM Applications

Overview

This section focuses on John Deere engines marketed in products manufactured by companies other than John Deere or its affiliates, and on John Deere repower engines in all applications. Herein appears the original warranty applicable to the engine as delivered to the retail purchaser on or after 1 May 2010. The following is information about the warranty and warranty service.

NOTE: "John Deere" means John Deere Power Systems with respect to users in the United States, John Deere Limited with respect to users in Canada, and Deere & Company or its subsidiary responsible for making John Deere equipment in other countries where the user is located.

Promptly register your engine online at <https://www.johndeere.com/enginewarranty>

When Warranty Service Is Needed

The nearest dealer stands ready with genuine parts and trained and equipped personnel should the need arise. If following the Operator's Manual delivered with the engine/machine are not adequate to correct an engine problem, contact the nearest John Deere service dealer for assistance. Authorized engine service dealers can be found at: <https://www.johndeere.com/> (click on "Dealer Locator").

NOTE: When requesting warranty service, the purchaser must be prepared to provide proof that the engine is within the warranty period.

The following information is always required: Engine serial number, date of delivery, engine owner, name and location of dealer and specific person contacted, date of contact, nature of engine problem, and outcome of the service dealer contact.

Given that normally it is the dealer contacted who in the end will provide the service required, maintaining a purchaser-dealer relationship of mutual respect from the beginning is always helpful.

Privacy Notice

At John Deere your privacy is important to us. We collect, use, and disclose your personal information in accordance with the John Deere privacy statement. For instance, we collect, use, and disclose your personal information to provide you with the products and services that you request; to communicate with you as our customer (examples include warranty and product improvement programs) and to meet safety and legal requirements; and for marketing and promotional purposes. Sometimes, we may ask our John Deere affiliates, dealers, or business partners to do work for us which involves your information. For complete details on your privacy rights and to obtain a copy of the John Deere Privacy Statement, please visit our website at <https://www.johndeere.com/>.

Warranty Duration

Unless otherwise provided in writing by John Deere, John Deere makes the following warranty to the first retail purchaser and each subsequent purchaser (if purchase is made prior to the expiration of applicable warranty) of each John Deere new off-highway engine marketed as part of a product manufactured by a company other than John Deere or its affiliates and on each John Deere engine used in an off-highway repower application:

- 12 months, unlimited hours of use, or
- 24 months and before the accumulation of 2000 hours of use.

NOTE: In the absence of a functional hourmeter, hours of use will be determined on the basis of 12 hours of use per calendar day.

Warranty Coverage

This warranty applies to the engine and to integral components and accessories sold by John Deere, and delivered to the first retail purchaser on or after 1 May 2010.

All John Deere-warranted parts and components of John Deere engines which, as delivered to the purchaser, are defective in materials and/or workmanship will be repaired or replaced, as John Deere elects. Warrantable repairs will be made without charge for parts or engine repair labor, including reasonable labor costs to remove and reinstall non-engine parts or components of the equipment in which the engine is installed. If required, reasonable labor costs for engine removal and reinstallation will also be included. All coverage is based on the defect appearing within the warranty period as measured from the date of delivery to the first retail purchaser.

Obtaining Warranty Service

Warranty service must be requested of the nearest authorized John Deere engine service outlet before the expiration of the warranty. An *authorized* service outlet is a John Deere engine distributor, a John Deere engine service dealer, or a John Deere equipment dealer selling and servicing equipment with an engine of the type covered by this warranty. (See When Warranty Service is Needed above.)

Authorized service outlets will use only new or remanufactured parts or components furnished or approved by John Deere.

NOTE: Authorized engine service locations are listed on the Internet at <https://www.johndeere.com/> (Click on "Dealer Locator").

At the time of requesting warranty service, the purchaser must be prepared to present evidence of the date of delivery of the engine.

John Deere reimburses authorized service outlets for limited travel expenses incurred in making warranty service repairs in non-John Deere applications when travel is actually performed. The limit, as of the date of publication of this booklet, is US\$400.00 (US\$500.00 if engine is marine) or equivalent. **If distances and travel times are greater than reimbursed by John Deere, the service outlet will charge the purchaser for the difference.**

Warranty Exclusions

John Deere's obligations will not apply to components and accessories which are not furnished or installed by John Deere, nor to failures caused by such items, except as required by law.

Purchaser's Responsibilities

The cost of normal maintenance and depreciation.

Periodic cleaning of the diesel particulate filter (DPF).

Consequences of negligence, misuse, or accident involving the product, or improper application, installation, or storage.

Consequences of service performed by someone other than an authorized John Deere engine service outlet.

Consequences of any product modification or alteration not approved by John Deere, including, but not limited to, tampering with engine fuel and air delivery systems.

Consequences of failure of non-product components.

Consequences of fuels, lubricants, or coolants that fail to meet the specifications and requirements listed in the Operator's Manual.

The effects of cooling system neglect as manifested in cylinder liner or cylinder block cavitation ("pitting", "erosion", "electrolysis").

Any premium for overtime labor requested by the purchaser.

Costs of transporting the product or the equipment in which it is installed to and from the location at which the warranty service is performed, if such costs are in excess of the travel reimbursement payable to the dealer had the warranty service been performed at the product's location.

Costs incurred in gaining access; for example, overcoming physical barriers such as walls, fences, floors, decks, or similar structures impeding access to the product, rental of cranes or similar, or construction of ramps or lifts or protective structures for product removal and reinstallation.

Incidental travel costs including meals, lodging, and similar, and any travel time or mileage costs in excess of the maximum allowance.

Service outlet costs incurred in solving or attempting to solve non-warrantable problems.

Services performed by a party other than an authorized John Deere service dealer.

Charges by dealers for initial start-up and inspection deemed unnecessary by John Deere when an Operator's Manual is supplied with the product are followed.

Costs related to interpretation or translation services.

No Representations or Implied Warranty

Where permitted by law, neither John Deere nor any company affiliated with it makes any guaranties, warranties, conditions, representations or promises, express or implied, oral or written, as to the nonoccurrence of any defect or the quality of performance of its engines other than those set forth in this booklet, and DOES NOT MAKE ANY IMPLIED WARRANTY OR CONDITIONS OF MERCHANTABILITY OR FITNESS otherwise provided for in the Uniform Commercial Code or required by any Sale of Goods Act or any other statute. This exclusion includes fundamental terms. In no event will a John Deere engine distributor or engine service dealer, John Deere equipment dealer, or John Deere or any company affiliated with John Deere be liable for incidental or consequential damages or injuries including, but not limited to, loss of profits, loss of crops, rental of substitute equipment or other commercial loss, damage to the equipment in which the engine is installed or for damage suffered by purchaser as a result of fundamental breaches of contract or breach of fundamental terms, unless such damages or injuries are caused by the gross negligence or intentional acts of the foregoing parties.

Remedy Limitation

The remedies set forth in this warranty are the purchaser's exclusive remedies in connection with the performance of, or any breach of guaranty, condition, or warranty in respect of new John Deere engines. In the event the above warranty fails to correct purchaser's performance problems caused by defects in workmanship and/or materials, purchaser's exclusive remedy shall be limited to payment by John Deere of actual damages in an amount not to exceed the cost of the engine.

No Seller's Warranty

No person or entity, other than John Deere, who sells the engine or product in which the engine has been installed makes any guaranty or warranty of its own on any engine warranted by John Deere unless it delivers to the purchaser a separate written guaranty certificate specifically guaranteeing the engine, in which case John Deere shall have no obligation to the purchaser. Neither original equipment manufacturers, engine or equipment distributors, engine or equipment dealers, nor any other person or entity, has any authority to make any representation or promise on behalf of John Deere or to modify the terms or limitations of this warranty in any way.

Replacement Parts Warranty

John Deere and John Deere Reman parts and components (excluding replacement engines) installed during engine warranty service are warranted for the remaining warranty period of the engine or the applicable warranty term for the installed service part, whichever is greater. A new or remanufactured engine replacing a failed engine under warranty is warranted for 90 days or the remaining warranty period of the original engine, whichever is greater.

Warranty Transfer

The remainder of the original engine warranty and the emissions control-related warranty may be transferred to a subsequent owner of the engine. The Engine Warranty Transfer card should be used to report the transfer to John Deere. If a card is not available, contact your Dealer or simply send the following information to JDPS Warranty Administration at Diesel-US@JohnDeere.com.

1. The complete 13-character engine serial number.
2. The name and mailing address of the original purchaser.
3. Delivery date to the original purchaser.
4. Hours at the time of transfer.
5. Date of transfer to the new owner.
6. Name and mailing address of the new owner.
7. How the engine/drivetrain being used, i.e., what equipment it powers, by manufacturer and model.
8. Equipment it powers, by manufacturer and model.

Purchased Extended Warranty

Extended warranty may be purchased on most engines in many areas of the world. John Deere engine distributors and equipment dealers, and dealers of manufacturers using John Deere engines in their products, have details. John Deere may also be contacted at U.S.A. fax number 1-309-749-0816, or in Europe fax number 33.2.38.84.62.66.

Emissions Warranties

Emissions warranties appear in the Operator's Manual furnished with the engine/machine. **(Warning: Statutes providing severe penalties for tampering with emissions controls may apply at the user's location.)** John Deere may also be contacted at U.S.A. fax number 1-309-749-0816; or in Europe fax number 33.2.38.84.62.66.

Local Warranty Requirements

Warranties required by local statutes will be furnished by the seller.

Option Codes (Engine Manufacturing Configuration)

When in need of engine replacement parts, your authorized John Deere service dealer will need to know the corresponding "Option Codes" for your engine. The option code label on the engine rocker arm cover may become damaged over time. By recording the four-digit codes when the engine is new, and storing this manual where it can be found when parts are needed, fast, accurate parts ordering and service will be assured. (See Engine Option Codes in the Record Keeping Section).

Should there be a question about an engine option code, note the engine serial number and call 1-800-JDENGINE from the U.S.A. or Canada, or fax U.S.A. number 1-309-749-0816; or E-mail at diesel-us@johndeere.com, Attention: Warranty Administration; or in Europe fax number 33.2.38.84.62.66, or E-mail at saranservice@johndeere.com.

Registering The Engine For Warranty

Completion and submission of the John Deere Engine Warranty Registration form (cut out sheet found in this manual) is very important. John Deere will not deny warranty service on an engine within its warranty period if the engine has not been registered. However, registering your engine will assure your servicing dealer that the engine is within the warranty period.

The easiest way to register your engine is via the Internet. Go to website <https://www.johndeere.com/enginewarranty>. You can use the sheet in this manual to gather the information needed to register the warranty.

NOTE: Information provided on the form must be legible!

Typing is preferred, but legible handwritten reports are acceptable. "Block" numbers and Roman alphabet letters should be used. For example: 1,2,3,4 and A, B, C, D.

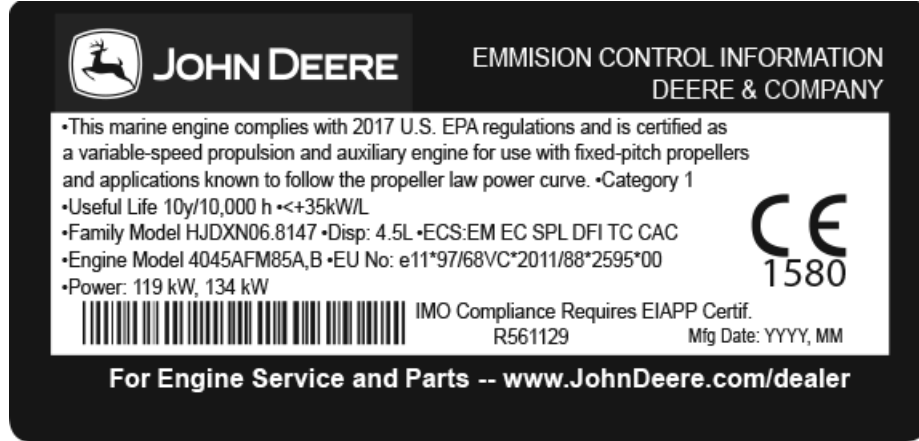
All requested information should be given. Much of it contributes to reports, including those required by governments.

The purchaser's telephone number or E-mail address allows John Deere to make contact should there be questions concerning the registration. The purchaser should sign and date the form.

JR74534,0000462 -19-05JUL16-3/3

Emissions Control System Certification Label

CAUTION: Statutes providing severe penalties for tampering with emissions controls may apply to the user or dealer.



Emission Label

The emissions warranty applies to those engines marketed by John Deere that have been certified by the United States Environmental Protection Agency (EPA) and/or California Air Resources Board (CARB); and used in the United States and Canada in Non-road equipment (excluding marine engines for Canada). The presence of an emissions label like the one shown signifies that the engine has been certified with the EPA and/or CARB. The EPA and CARB warranties only apply to new engines having the certification label affixed to the engine and sold as stated above in the geographic areas. The EPA

and/or CARB emissions warranties do not apply to the EU countries.

Emission Control System(s) Laws

The U.S. EPA and CARB prohibit the removal or rendering inoperative of any device or element of design installed on or in engines/equipment in compliance with applicable emission regulations prior to or after the sale and delivery of the engines/equipment to the ultimate purchaser.

AK08008,0000040 -19-07MAR17-1/1

European Union (EU) Declaration of Emissions Conformity

The presence of an EU number on the label signifies that the Marine Diesel Engine has been certified with the European Union countries per Directives 97/68/EC as amended by Directive 2004/26/EC, under the transitional provision of (EU) 2016/1628 article 58. The EU engine family is listed on the Emissions Label. When installed in accordance with the manufacturer's instructions, John Deere marine diesel propulsion engines without integral

exhaust certified under Directive 97/68/EC as amended by Directive 2004/26/EC produce exhaust emissions of carbon monoxide, hydrocarbons, nitrogen oxides and particle emissions which comply with the requirements of the Recreational Craft Directive 2003/44/EC.

The presence of a CE mark signifies the propulsion engine complies with Exhaust Emission requirements of Recreational Craft Directive 2 (2013/53/EU).

AK08008,0000041 -19-07MAR17-1/1

RG29342 —UN—03MAR17

U.S. Marine Compression-Ignition Engine Emission Control Warranty Statement

DXLOGOV1 —UN—28APR09



JOHN DEERE

U.S. MARINE COMPRESSION-IGNITION ENGINE EMISSION CONTROL WARRANTY STATEMENT

YOUR WARRANTY RIGHTS AND OBLIGATIONS

To determine if the John Deere engine qualifies for the additional warranties set forth below, look for the “Emission Control Information” label located on the engine and verify that it states the engine conforms to U.S. EPA regulations for Recreational or commercial marine compression-ignition engines.

Warranties stated on this certificate refer only to emissions-related parts and components of your engine. The complete engine warranty, less emissions-related parts and components, is provided separately. The U.S. EPA Emissions Warranty only applies to engines in vessels that are registered and operated in the USA. Engines that are not covered by the U.S. EPA Emissions regulations are not covered by the EPA Emissions Warranty. If you have any questions about your warranty rights and responsibilities, you should contact John Deere at 1-319-292-5400.

JOHN DEERE’S WARRANTY RESPONSIBILITY:

John Deere warrants to the ultimate purchaser and each subsequent purchaser that this marine diesel engine including all parts of its emission control system was designed, built and equipped so as to conform at the time of sale with applicable regulations under section 213 of the Clean Air Act and is free from defects in materials and workmanship which would cause the engine to fail to conform with applicable US EPA regulations for the following periods:

Recreational Category 1 Marine Engine	Five years or 500 hours, whichever comes first *
Commercial Category 1 Marine Engine	Five years or 5,000 hours, whichever comes first *

Where a warrantable condition exists, John Deere will repair or replace, as it elects, any part or component with a defect in materials or workmanship that would increase the engine’s emissions of any pollutant within the stated warranty period at no cost to you, including expenses related to diagnosing and repairing or replacing emission-related parts. Warranty coverage is subject to the limitations and exclusions set forth herein.

EMISSION WARRANTY EXCLUSIONS:

John Deere may deny warranty claims for malfunctions or failures caused by:

- Non-performance of maintenance requirements listed in the Operator’s Manual.
- The use of the engine / equipment in a manner for which it was not designed.
- Abuse, neglect, improper maintenance or unapproved modifications or alterations.
- Accidents for which it does not have responsibility or by acts of God.

The marine engine is designed to operate on diesel fuel as specified in the Fuels, Lubricants and Coolants section in the Operators Manual. Use of any other fuel can harm the emission control system of the engine / equipment and is not approved for use.

To the extent permitted by law, John Deere is not liable for damage to other engine components caused by a failure of an emission-related part, unless otherwise covered by standard warranty.

THIS WARRANTY IS EXPRESSLY IN LIEU OF ANY OTHER WARRANTIES, EXPRESS OR IMPLIED, INCLUDING ANY WARRANTY OF MERCHANTABILITY OR FITNESS FOR A PARTICULAR PURPOSE. REMEDIES UNDER THIS WARRANTY ARE LIMITED TO THE PROVISIONS OF MATERIAL AND SERVICES AS SPECIFIED HEREIN. WHERE PERMITTED BY LAW, NEITHER JOHN DEERE NOR ANY AUTHORIZED JOHN DEERE ENGINE DISTRIBUTOR, DEALER, OR REPAIR FACILITY OR ANY COMPANY AFFILIATED WITH JOHN DEERE WILL BE LIABLE FOR INCIDENTAL OR CONSEQUENTIAL DAMAGES.

* The emissions-related warranty shall not be shorter than any published warranty Deere offers without charge to the customer.

Emission_Marine_EPA(13Mar10)

JR74534,00002FC -19-08MAR13-1/1

Index

	Page		Page
A			
Aftercooler core		Crankcase ventilation filter, replace.....	40-1
Cleaning (6068SFM85).....	40-15	Crankshaft vibration damper	
Inspecting (6068SFM85).....	40-15	Checking.....	45-3
Installing (6068SFM85).....	40-16	D	
Removing (6068SFM85).....	40-15	Daily prestarting checks	30-1
Air cleaner		DG14 Diagnostic Gauge	
Servicing	55-3	Essential Menus.....	15-10
Air Filter		Main Menu	15-9
Replace element (enclosed).....	55-4	Using.....	15-8
Air intake system, checking.....	40-1	Diagnostic gauge.....	15-2
Alarm, audible.....	15-2	Accessing active diagnostic trouble codes	15-20
Override switch	15-2	Accessing stored diagnostic trouble codes.....	15-18
Alternator belt	55-4	Adjust backlighting	15-24
Auxiliary gear drive, limitations.....	20-4	Adjust contrast	15-25
Avoid static electricity risk when fueling	05-10	Engine configuration data	15-16
B			
Batteries		Main menu navigation.....	15-15
Charge/Boost.....	20-10	Select units of measurement	15-27
Service.....	35-4	Setup 1-up display	15-29
Battery Handling, Safety		Setup 4-up display	15-35
Safety, Battery Handling	05-12	Shutdown codes	15-22
Belt tensioner		Diagnostic procedure	
Checking spring tension.....	40-4	Retrieving trouble codes	60-38
Belt, alternator		Diagnostic Trouble Codes (DFCs)	
Replacing	55-4	Listing.....	60-40
BioDiesel fuel.....	10-3	Diagnostic trouble codes (DTCs)	
Bleed fuel system	55-5	Intermittent fault code diagnostics	60-42
Bolt and screw torque values		Operation	60-39
Metric	70-6	Diagnostic Trouble Codes (DTCs)	
Unified inch	70-5	Diagnostic procedure.....	60-38
Break-in engine oil		Diesel engine oil	
Non-Emissions certified and certified tier		Tier 3 and stage IIIa marine	10-7
1, tier 2, tier 3, stage I, stage II, and stage III.....	10-6	Diesel engines, cold weather effect.....	10-5
Break-in, engine	20-2	Diesel fuel.....	10-1
C			
Chart, service interval.....	25-2	Supplemental additives.....	10-1
Cold weather aids.....	20-8	Diesel fuel, testing	
Coolant		Testing Diesel Fuel.....	10-4
Adding.....	55-2	Dimmer switch.....	15-2
Diesel engine		E	
Engine with wet sleeve cylinder liners.....	10-10	Effect of cold weather on diesel engines	10-5
Disposing	10-12	Electrical ground connections	
Mixing with concentrate, water quality	10-11	Checking.....	40-17
Temperature gauge.....	15-2	Electronic Control Unit (ECU)	
Testing freeze point.....	10-12	Precautions	60-2
Warm temperature climates	10-11	Emissions	
Cooling system		Required language	
Adding coolant	55-2	EPA	25-1
Checking	40-6	Engine	
Flushing and refilling	50-1	Break-in.....	20-2
Pressure testing	40-7	Daily prestarting checks.....	30-1
D			
		Idling	20-7
		Operation	20-1
		Serial number.....	01-1

Continued on next page

Page		Page
		G
Specifications		
4.5 L	70-1	
6.8 L	70-2	
Starting	20-5	Gauge panel
Stopping	20-9	Gauges
Troubleshooting	60-34	Generator set engines
Warming	20-7	Operation
Engine Control Unit (ECU) serial number.....	01-4	
Engine coolant		H
Adding	55-2	
Disposing of	10-12	Hardware torque values
Engine oil		Metric
Break-In		Unified inch
Non-Emissions certified and certified		Heat exchanger core
tier 1, tier 2, tier 3, stage I, stage II,		Cleaning (4.5 L)
and stage III.....	10-6	Cleaning (6.8 L)
Diesel		Inspecting (4.5 L)
Tier 3 and stage IIIA marine	10-7	Inspecting (6.8 L)
Engine oil and filter service intervals		Installing (4.5 L)
Tier 3 and stage IIIA		Installing (6.8 L)
Marine Engines	10-8	Removing (4.5 L)
Engine speeds		Removing (6.8 L)
Checking and adjusting.....	40-16	High-pressure fuel pump model number
Engine wiring diagram		Hour meter.....
Flybridge instrument panel.....	60-10	
Main instrument panel.....	60-7	I
Engine Wiring Diagram		Identification views
4045AFM85	60-20	Idling engine
4045TFM85 Electronic Controls	60-12	Instrument panel.....
6068SFM85 Electronic Controls	60-28	Wiring diagram.....
		Instrument panels
F		John Deere PowerSight
Fan belt.....	55-4	Intermittent fault code diagnostics
Filter		
Air.....	55-3	J
Air, service (enclosed).....	55-4	John Deere PowerSight.....
Filters, Oil		
Oil Filters.....	10-9	K
Fire extinguisher		Key switch
Servicing	35-3	
Fuel		L
BioDiesel.....	10-3	Long-term storage
Diesel	10-1	Preparing engine.....
Handling and storing	10-2	Lubricant
Lubricity.....	10-2	Mixing.....
Fuel Filter		Lubricant Storage
Drain Water.....	55-1	Storage, Lubricant.....
Fuel Filters		Lubricants, Safety
Filters, Fuel	10-4	Safety, Lubricants
Fuel filters, replacing	40-2	Lubrication and maintenance
Fuel injection pump model number	01-3	2000 hours/24 months
Fuel injection pump specifications.....	70-3	Crankshaft vibration damper, checking
Fuel system		Engine valve clearance, checking and adjusting..
Do not modify.....	55-1	
Fuel system, bleed	55-5	
Fuses, check	55-5	

Continued on next page

	Page		Page
Sea water pump, inspecting and repairing (4045AFM85/6068AFM85).....	45-5	Metric bolt and screw torque values	70-6
Sea water pump, inspecting and repairing (4045TFM85).....	45-4	Mixing lubricants.....	10-8
Sea water pump, inspecting and repairing (6068SFM85).....	45-6	Mounts, engine.....	35-6
250 hours/6 months		O	
Battery, service.....	35-4	Oil	
Engine mounts, service	35-6	Changing.....	35-1
Engine oil, changing.....	35-1	Engine	
Fire extinguisher, servicing.....	35-3	Tier 3 and stage IIIA marine	10-7
Zinc plugs, inspecting and replacing	35-7	Fill quantity.....	70-4
500 hours/12 months		Oil pressure gauge	15-2
Aftercooler core, installing (6.8 L).....	40-16	Operating engine	
Aftercooler core, removing, inspecting, and cleaning (6.8 L).....	40-15	Break-in.....	20-2
Air intake system, checking.....	40-1	Cold weather.....	20-8
Belt tensioner, checking spring tension	40-4	Normal operation	20-1
Cooling system, checking.....	40-6	P	
Cooling system, pressure testing	40-7	Percent load	15-2
Crankcase ventilation filter, replacing.....	40-1	Poly-vee belt	
Electrical ground connections, checking	40-17	Replace.....	55-4
Engine speeds, checking and adjusting	40-16	Pre start cleaning	
Fuel filters, replacing	40-2	Guide	55-2
Heat exchanger core, installing (4.5 L).....	40-10	Proposition 65.....	05-2
Heat exchanger core, installing (6.8 L).....	40-13	PV101 Diagnostic Gauge	
Heat exchanger core, removing, inspecting, and cleaning (4.5 L).....	40-8	Essential Menus.....	15-8
Heat exchanger core, removing, inspecting, and cleaning (6.8 L).....	40-12	Main Menu	15-7
Sea water pump, replacing impeller (4045AFM85/6068AFM85).....	40-19	Using.....	15-6
Sea water pump, replacing impeller (4045TFM85).....	40-17	PV101 Instrument Panel	
Sea water pump, replacing impeller (6068SFM85).....	40-20	Component function.....	15-4
6000 hours/72 months		PV480 Diagnostic Gauge	
Cooling system, flushing and refilling	50-1	Essential Menus.....	15-14
Thermostats, removing and installing.....	50-3	Main menu	15-13
Thermostats, testing.....	50-4	Using.....	15-12
As required		PV480 Instrument Panel	
Pre-start cleaning guide	55-2	Component function.....	15-11
Daily		R	
Prestarting checks.....	30-1	Recordkeeping	
Service interval chart	25-2	Engine Control Unit (ECU) serial number	01-4
Lubrication and Maintenance records	75-1	Engine serial number	01-1
2000 Hours/24 Months.....	75-2	High-pressure fuel pump model number.....	01-3
250 Hours/6 Months.....	75-1	Injection pump model number.....	01-3
Daily (Prestarting) Service.....	75-1	Lubrication and Maintenance.....	75-1
500 Hours/12 Months.....	75-2	2000 Hours/24 Months	75-2
6000 Hours/72 Months.....	75-3	250 Hours/6 Months	75-1
As Required	75-3	500 Hours/12 Months	75-2
Lubricity of diesel fuel.....	10-2	6000 Hours/72 Months	75-3
M		As Required.....	75-3
Maintenance interval chart	25-2	Daily (Prestarting) Service.....	75-1
Marine Emissions Warranty.....	80-5	Refueling, avoid static electricity risk.....	05-10
		Registration	-3
		Retrieving diagnostic trouble codes.....	60-38

Continued on next page

	Page		Page
S			
Safety		Sea water pump, replacing impeller (4045AFM85/6068AFM85).....	40-19
Safe maintenance, practice	05-4	Sea water pump, replacing impeller (4045TFM85).....	40-17
Safety, Avoid High-Pressure Fluids		Sea water pump, replacing impeller (6068SFM85).....	40-20
Avoid High-Pressure Fluids	05-9	6000 hours/72 months	
Safety, Handle Fuel Safely, Avoid Fires		Cooling system, flushing and refilling	50-1
Avoid Fires, Handle Fuel Safely.....	05-10	Thermostats, removing and installing.....	50-3
Sea water pump		Thermostats, testing.....	50-4
Inspecting and repairing (4045TFM85).....	45-4	As required	
Replacing Impeller (4045AFM85/6068AFM85)....	40-19	Pre-start cleaning guide	55-2
Sea Water Pump		Daily	
Inspecting and repairing (4045AFM85/6068AFM85).....	45-5	Prestarting checks.....	30-1
Inspecting and Repairing (6068SFM85).....	45-6	Intervals	25-2
Replacing Impeller (4045TFM85)	40-17	Service intervals	
Replacing Impeller (6068SFM85)	40-20	General information	25-1
Serial number		Signal words, understand	05-1
Engine.....	01-1	Specifications	
Engine Control Unit (ECU).....	01-4	Engine crankcase oil fill	70-4
Fuel injection pump.....	01-3	Engine, general	
Service		4.5 L	70-1
2000 hours/24 months		6.8 L	70-2
Crankshaft vibration damper, checking	45-3	Fuel injection pump.....	70-3
Engine Valve Clearance, checking and adjusting	45-1	Starting engine	20-5
Sea water pump, inspecting and repairing (4045AFM85/6068AFM85).....	45-5	Stopping engine.....	20-9
Sea water pump, inspecting and repairing (4045TFM85).....	45-4	Storage	
Sea water pump, inspecting and repairing (6068SFM85).....	45-6	Guidelines	65-1
250 hours/6 months		Storing fuel	10-2
Battery, service	35-4	T	
Engine mounts, service	35-6	Tachometer.....	15-2
Engine oil, changing	35-1	Temperature gauge	15-2
Fire extinguisher, servicing.....	35-3	Thermostats	
Zinc plugs, inspecting and replacing	35-7	Removing and installing.....	50-3
500 hours/12 months		Testing.....	50-4
Aftercooler core, installing (6.8 L).....	40-16	Torque charts	
Aftercooler core, removing, inspecting, and cleaning (6.8 L).....	40-15	Metric	70-6
Air intake system, checking.....	40-1	Unified inch	70-5
Belt tensioner, checking spring tension	40-4	Touch switches	15-2
Cooling system, checking.....	40-6	Trademarks	-7
Cooling system, pressure testing	40-7	Transition Harness	
Crankcase ventilation filter, replacing.....	40-1	Diagnosing Intermittent Faults	60-43
Electrical ground connections, checking	40-17	Trouble codes	
Engine speeds, checking and adjusting	40-16	Diagnostic procedure	60-38
Fuel filters, replacing	40-2	Listing.....	60-40
Heat exchanger core, installing (4.5 L).....	40-10	Troubleshooting	
Heat exchanger core, installing (6.8 L).....	40-13	DTC Operation.....	60-39
Heat exchanger core, removing, inspecting, and cleaning (4.5 L).....	40-8	General information	60-1
Heat exchanger core, removing, inspecting, and cleaning (6.8 L).....	40-12	General, engine	60-34
		Intermittent fault diagnostics	60-42
		U	
		Unified inch bolt and screw torque values.....	70-5

Continued on next page

	Page		Page
V		Warranty	
Valve Clearance, Adjust	45-1	Emission System	80-4
Voltmeter	15-2	OEM applications	80-1
W		Warranty, Marine Emissions	80-5
Warming engine	20-7	Welding precautions, Safety	60-2
Warning indicators	15-2	Wiring Diagram	60-3, 60-5
		Z	
		Zinc plugs	35-7

