

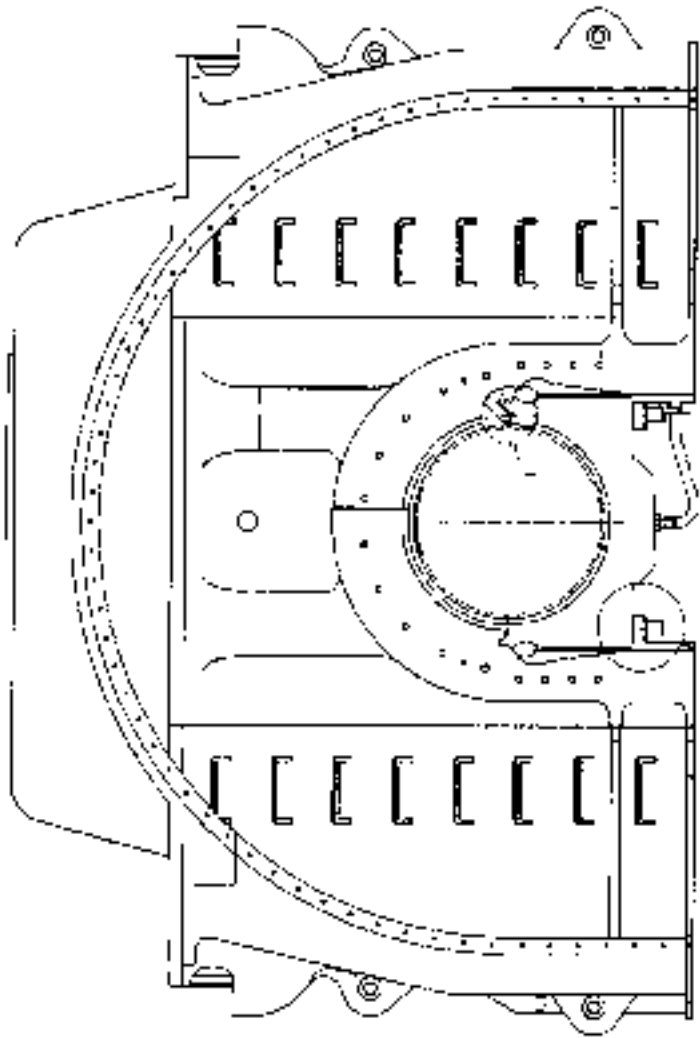
6G60ME-C9.5

CODE BOOK

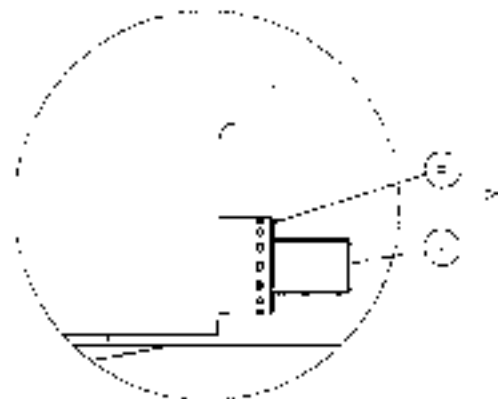
REG.NO.	N A M E	DWG.NO.
111D	STUD & NUT FOR MAIN BEARING	5A-17720
111E	MAIN BEARING SHELL	5A-15453
122A	THRUST BEARING	5A-19206
131A	CRANK SHAFT	5A-15188
132A	TURNING GEAR	5A-15493
211C	NON-FLOW ALARM ARR.	5A-15868
211D	FRAME BOX	5A-17671
211E	END SHIELD	5A-17239
211F	RELIEF VALVE	5A-15382
221A	STAY BOLT	5A-15333
231D	SCAV. AIR RECEIVER	5A-26820
231E	CYLINDER FRAME	5A-20541
231F	CYLINDER LINER	5A-25379
311A	CONNECTION ROD & CROSSHEAD	5A-25856
311B	SHIM	5A-25661
332B	PISTON & ROD	5A-25815
332C	STUFFING BOX	5A-15336
341A	CYLINDER COVER	5A-25417
343A	EXHAUST VALVE	5A-21674
344A	FUEL VALVE	5A-25855
345A	F.O. HIGH PRESSURE PIPE	5A-15318
346A	STARTING VALVE	5A-15335
421A	CHAIN ARRANGEMENT	5A-15482
434B	EXH. HIGH PRESSURE PIPE	5A-21783
445A	MAIN STARTING VALVE	5A-07799
453A	INDICATOR DRIVE	5A-10607
512A	AUX. BLOWER PIPE ARR.	5A-15439
512B	AUX. BLOWER ARR.	5A-26839
522A	EXHAUST RECEIVER	5A-27006
522J	EXHAUST BY-PASS	5A-26966
522K	THE CONTROL OF EXHAUST BY-PASS	5A-25274
523A	T/C AIR PIPE	5A-15466
524Z	ARR. OF SCAV. AIR CONNECTING BOX (REAR)	5A-15151
531B	STARTING AIR BRANCH PIPE	5A-21782
533FA	OVER FLOW VALVE	5K-33299
533K	FUEL OIL RETURN PIPE	5A-21819
538D	FRESHWATER PIPE OUTLET	5A-21821
538Z	LDCL PIPE	5A-25460
611A	HYDRAULIC CYLINDER UNIT	5A-25857
612B	GEAR BOX ASS.	5A-23087
612E	HPS DRAIN PIPE	5A-15963
613B	HOSE COMPLETE	5A-15581
615A	OIL FILTER ARR.	5A-15718
615B	HYDRAULIC PUMP STATION	5A-10785
615Z	HPS INLET PIPE	5A-15620
621A	ARR. OF CONTROL PANEL	5A-26380
623C	BRACKER MOUNT. OF ENCODER	5A-25277
711A	ADJUSTING OF COMPENSATOR	5A-15583
711G	ADJUSTING OF COMPENSATOR-PIPE	5A-17119
711C	TUNING WHEEL ARRANGEMENT	5A-26493
790C	MOUNTING OF AX. VIBR. DAMPER	5A-25258
801A	SCR INLET	5A-27139
801B	T/C GAS INLET PIPE ARR.	5N-02584
801Q	SCR OUTLET ARR.	5A-27141
801R	SCR BY-PASS PIPE ARR.	5N-02840



SHEET NO. 1112 BY 20&N/A FOR MAIN BEARING



1/2" DIA. BORE

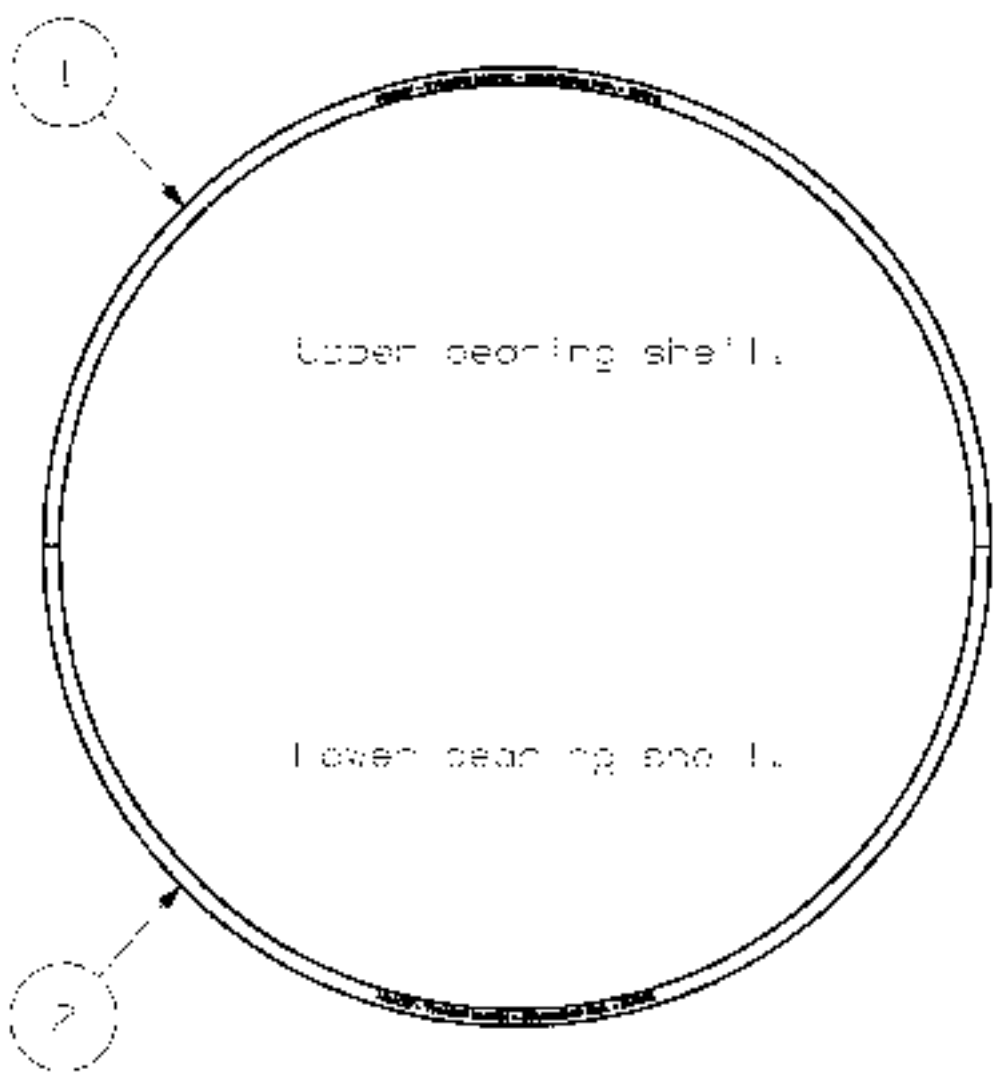


SHEET NO. 11.0 STUD&NUT FOR MAIN BEARING

REG NO.	NAME	REG NO.	NAME
7	SUTD		
2	NUT		
86	SPRING PIN		



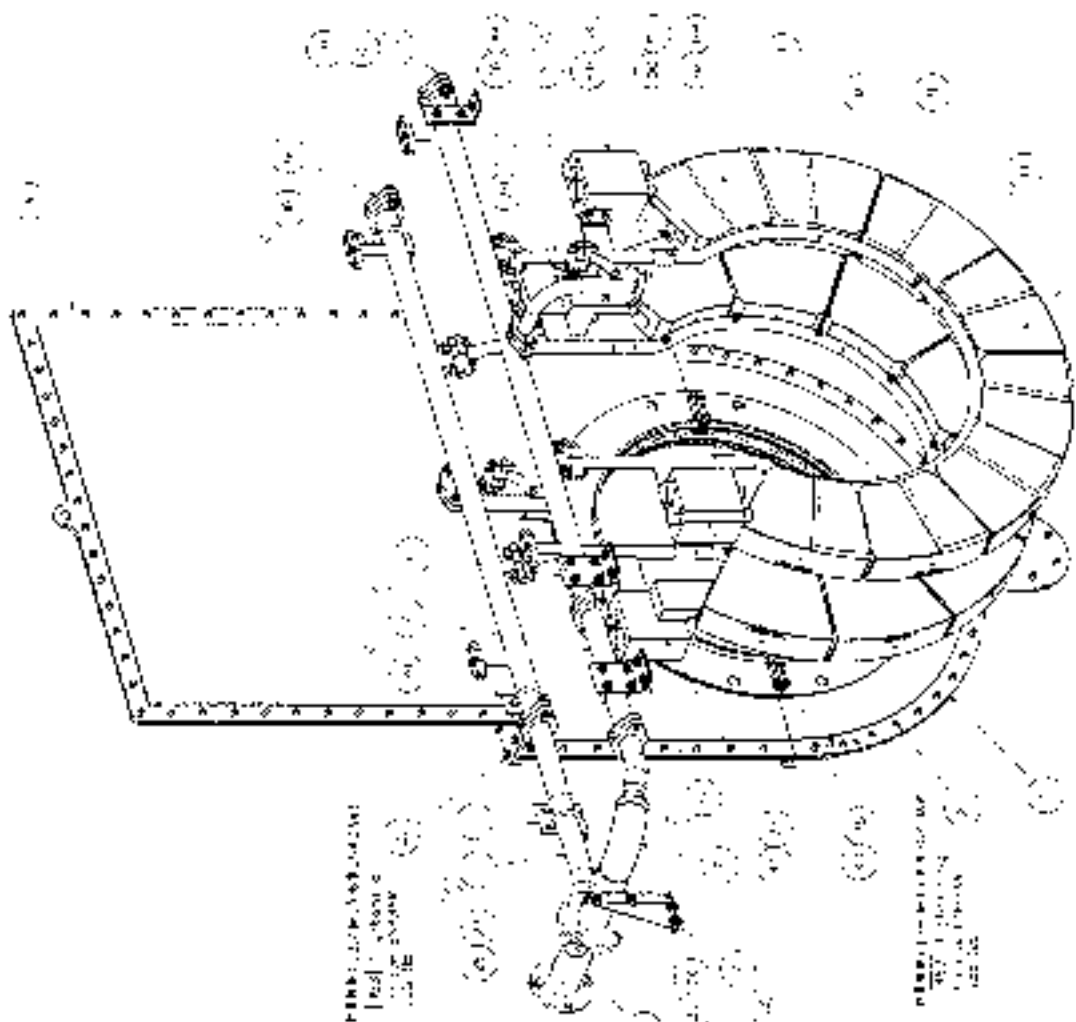
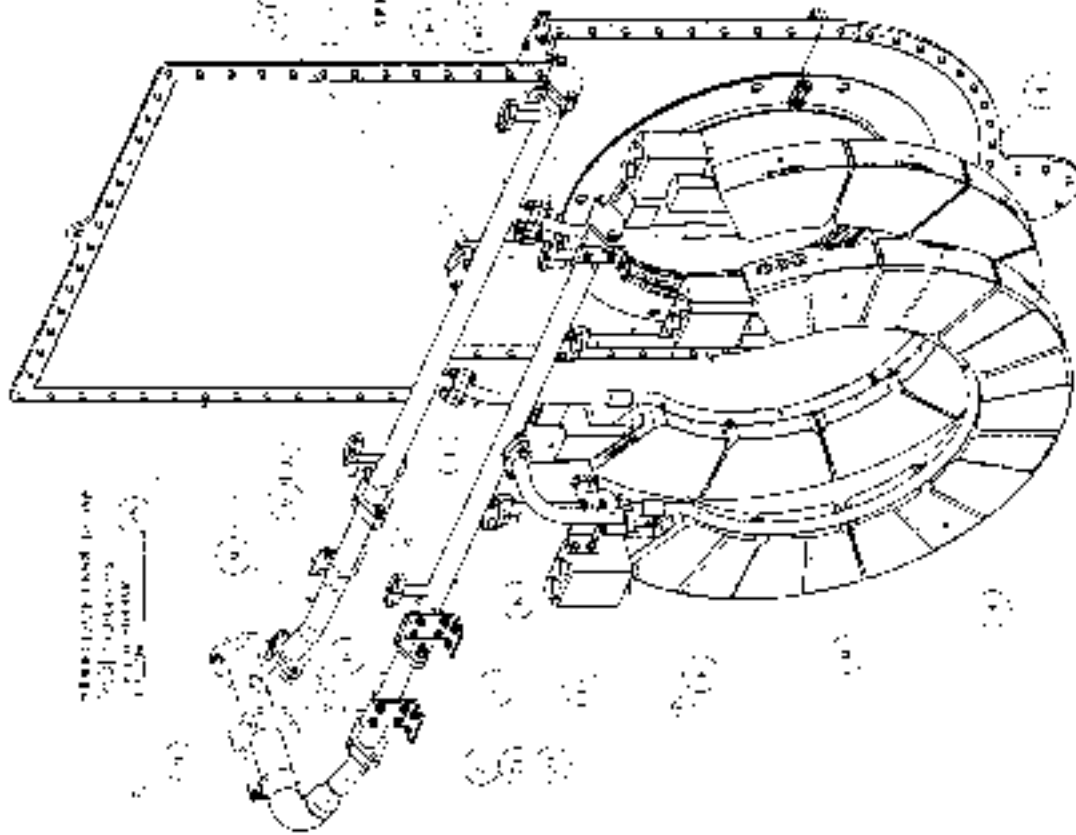
SHEET NO. 111E MAIN BEARING SHEEL



SHEET NO. 116 MAIN BEARING SHELL

REG NO.	NAME	REG NO.	NAME
1	MAIN BEARING SHELL		
2	MAIN BEARING SHELL		

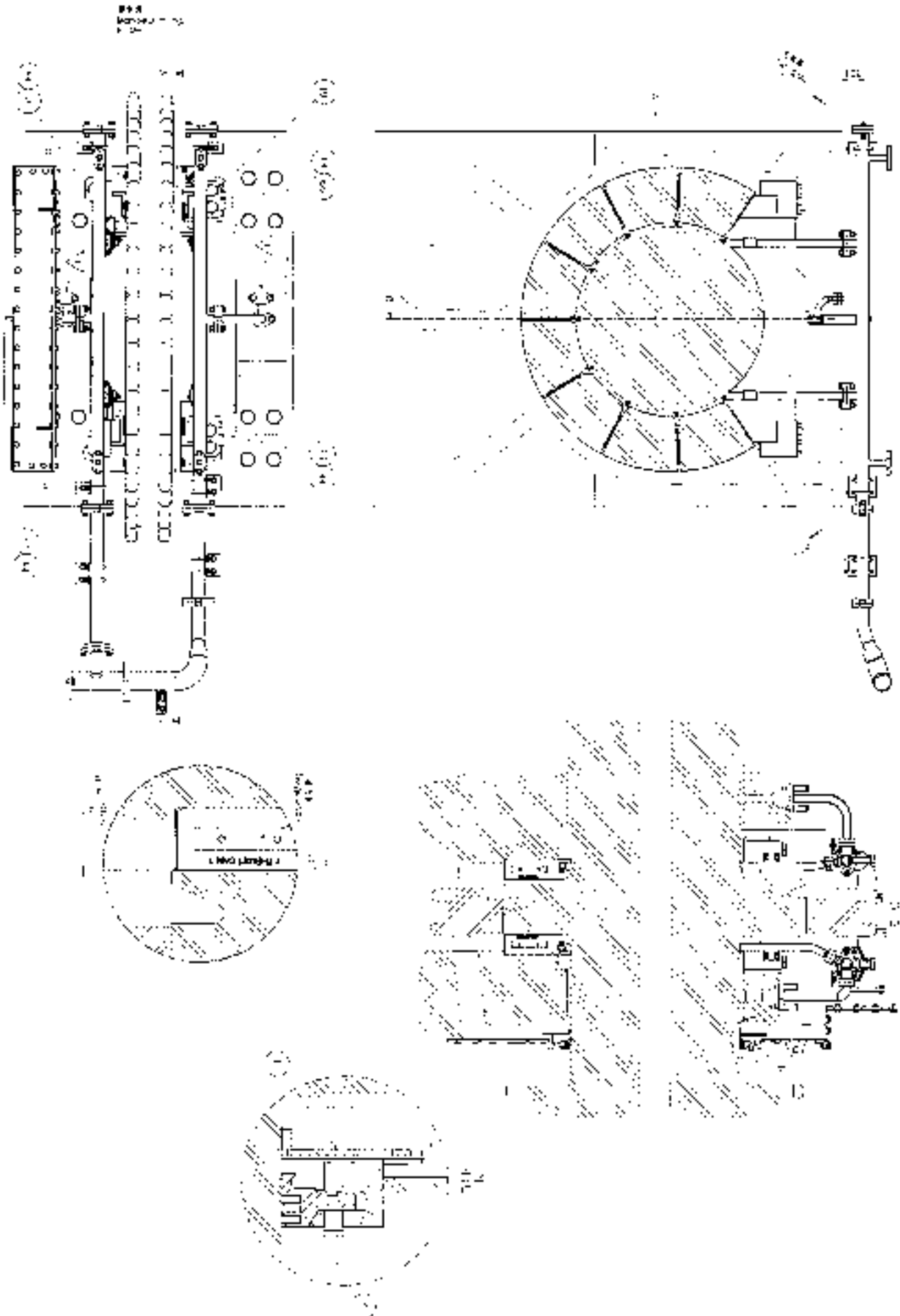
SHEET NO. 122A THRUST BEARING



THRUST BEARING

REG NO.	PART NAME
B	COVER
C	SCRAPER RING HOUSING, COMPLETE
E	OIL THROW RING
H	LUBRICATING OIL PIPE
I	LUBRICATING OIL PIPE
J	LUBRICATING OIL PIPE
K	LUBRICATING OIL PIPE
L	LUBRICATING OIL PIPE
M	LUBRICATING OIL PIPE
N	LUBRICATING OIL PIPE
O	LUBRICATING OIL PIPE
Q	LUBRICATING OIL PIPE
R	LUBRICATING OIL PIPE
S	LUBRICATING OIL PIPE
T	LUBRICATING OIL PIPE
W	COVER
X	LUBRICATING OIL PIPE
Y	LUBRICATING OIL PIPE
2	SUPPORT
3	SEGMENT
4	SEGMENT
5	SUPPORT
19	BOLT
20	BOLT
21	NUT
23	BOLT
25	BOLT
27	CAM LOCK WASHERS
28	PIN
36	BOLT
38	SUPPORT
44	SHIM
47	NUT
50	OVAL FLANGES
51	CAM LOCK WASHERS
62	BOLT
66	STOPPER SEGMENT, FORE
69	DISTANCE PIPES
75	STOPPER SEGMENT, FORE
76	STOPPER SEGMENT, FORE
77	STOPPER SEGMENT, FORE

SHEET NO. 122A THRUST BEARING

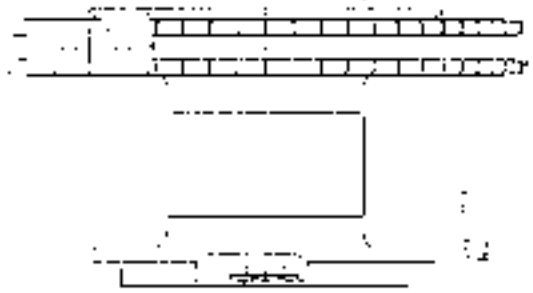
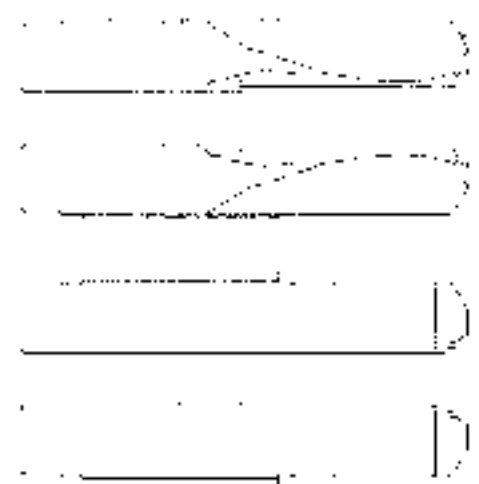
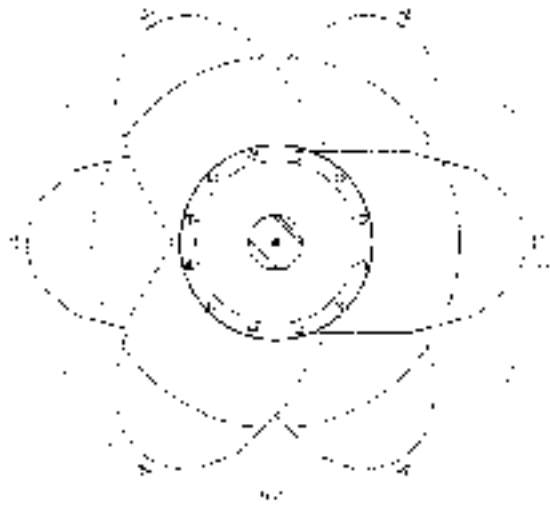
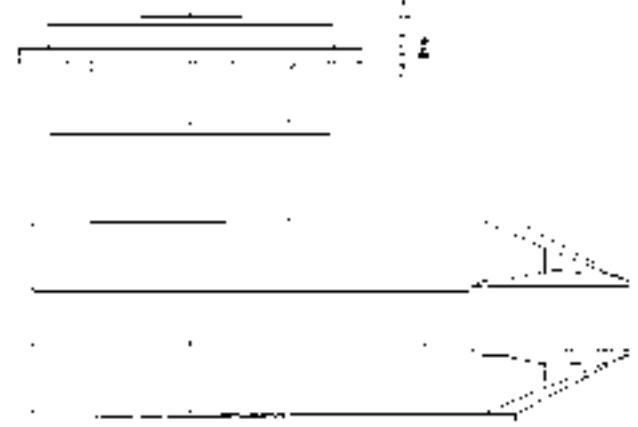


THRUST BEARING

REG NO.	PART NAME
B	COVER
C	SCRAPER RING HOUSING, COMPLETE
E	OIL THROW RING
H	LUBRICATING OIL PIPE
I	LUBRICATING OIL PIPE
J	LUBRICATING OIL PIPE
K	LUBRICATING OIL PIPE
L	LUBRICATING OIL PIPE
M	LUBRICATING OIL PIPE
N	LUBRICATING OIL PIPE
O	LUBRICATING OIL PIPE
Q	LUBRICATING OIL PIPE
R	LUBRICATING OIL PIPE
S	LUBRICATING OIL PIPE
T	LUBRICATING OIL PIPE
W	COVER
X	LUBRICATING OIL PIPE
Y	LUBRICATING OIL PIPE
2	SUPPORT
3	SEGMENT
4	SEGMENT
5	SUPPORT
19	BOLT
20	BOLT
21	NUT
22	BOLT
23	BOLT
27	CAM LOCK WASHERS
28	PIN
36	BOLT
38	SUPPORT
44	SHIM
47	NUT
50	OVAL FLANGES
51	CAM LOCK WASHERS
67	BOLT
68	STOPPER SEGMENT, FORE
69	DISTANCE PIPES
75	STOPPER SEGMENT, FORE
76	STOPPER SEGMENT, FORE
77	STOPPER SEGMENT, FORE



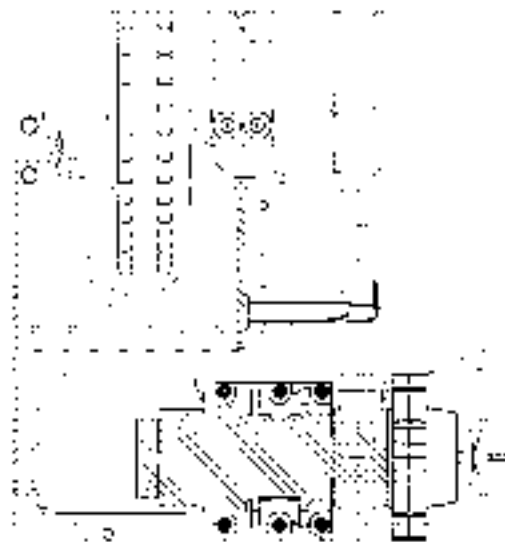
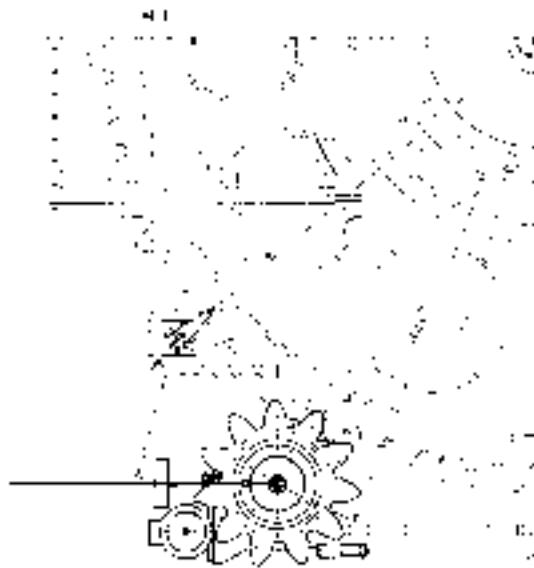
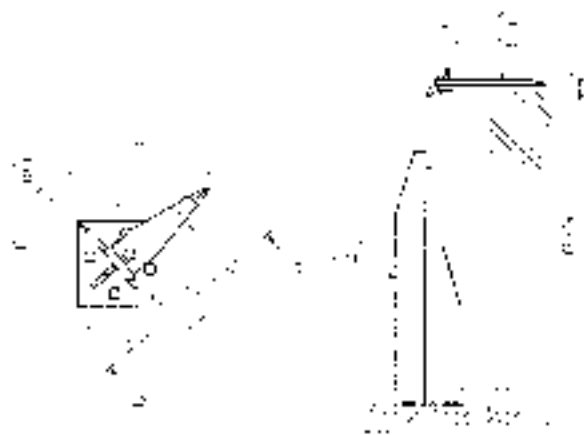
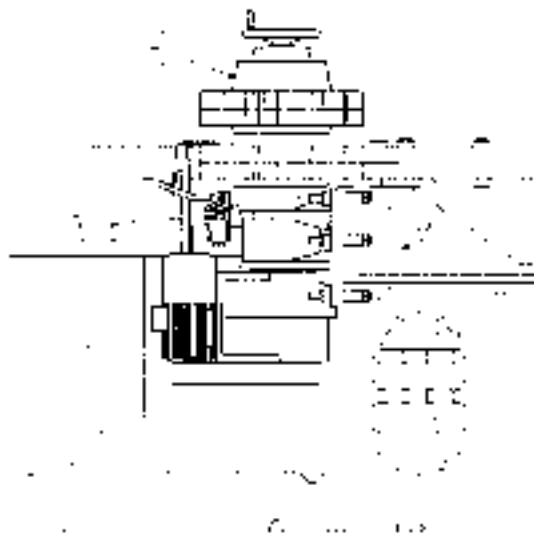
CRANKSHAFT



SHEET NO 131A

CRANKSHAFT

REG NO.	PART NAME
A	CRANKSHAFT
3	PACKING
4	HEXAGON HEAD SCREWS
5	LOCKING PLATES
6	CHAIN WHEEL
8	LOCKING PLATES
9	COVER
12	HEXAGON HEAD SCREWS
4'	FLANGE



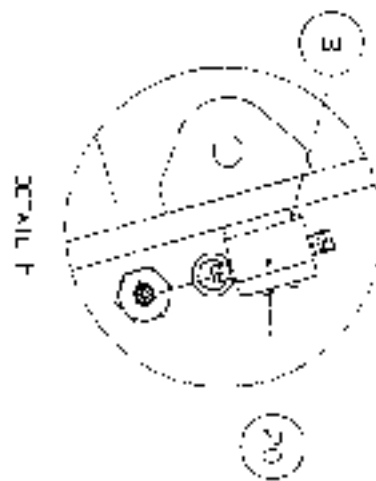
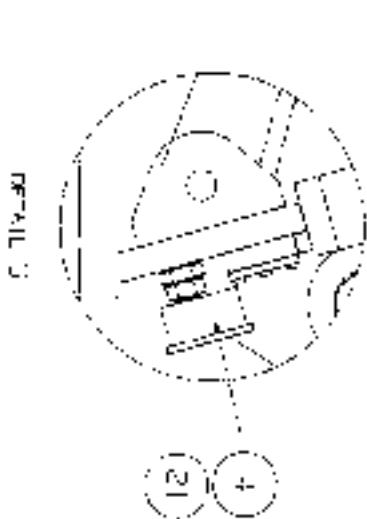
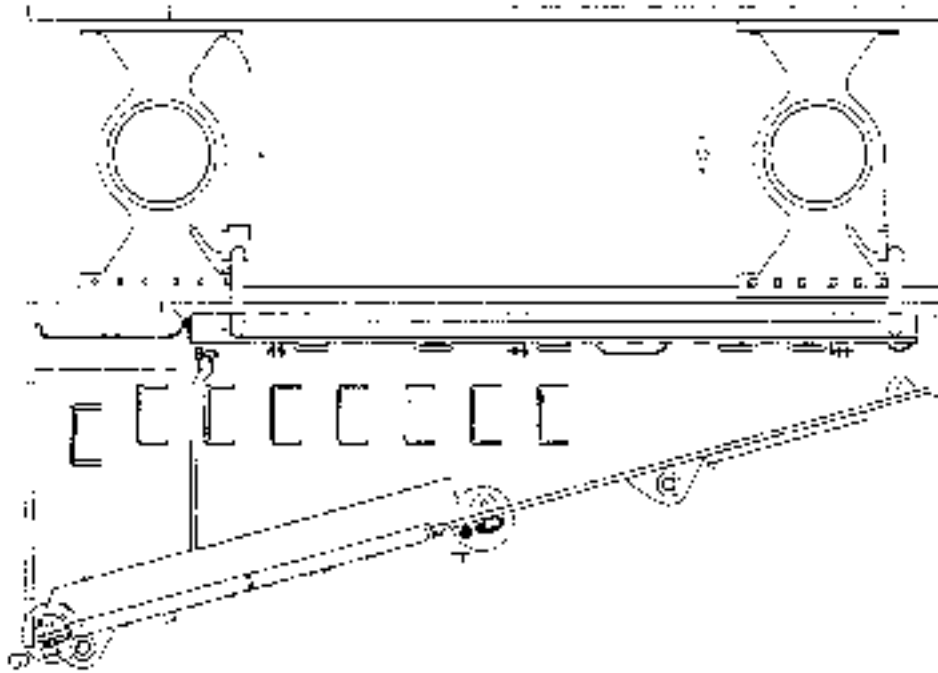
SHEET NO. 132A

TURNING GEAR COMPLETE

REG NO	PART NAME
1	TURNING GEAR
2	DEAD CENTRE POINTER
3	POINTER
7	HEXAGON HEAD SCREWS
8	PIN
10	P-N
46	SWITCH
47	3/2-WAY VALVE, PNEUMATIC

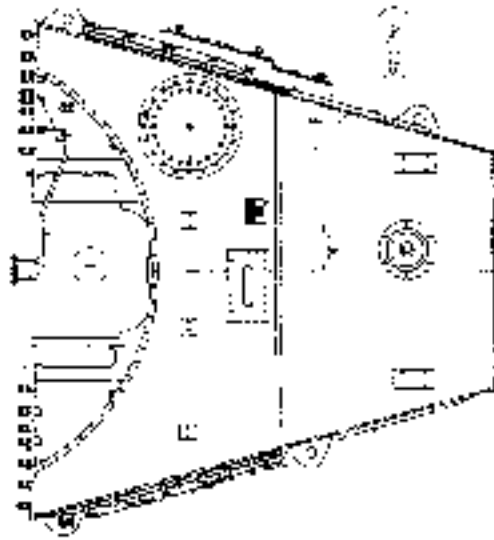


SHEET NO. 7115 NON-FLOW ALARM ARM.

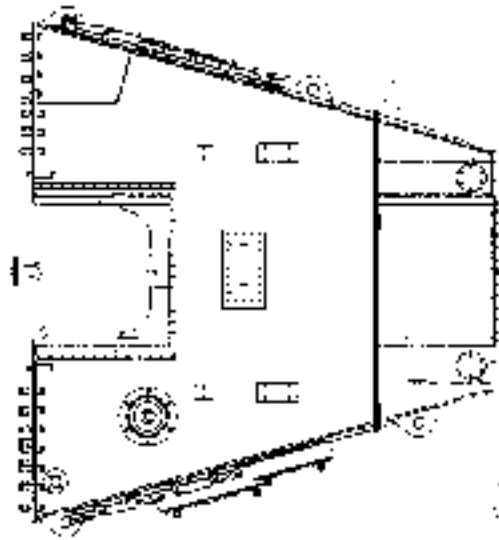


SHEET NO.211C NON-FLOW ALARM APP

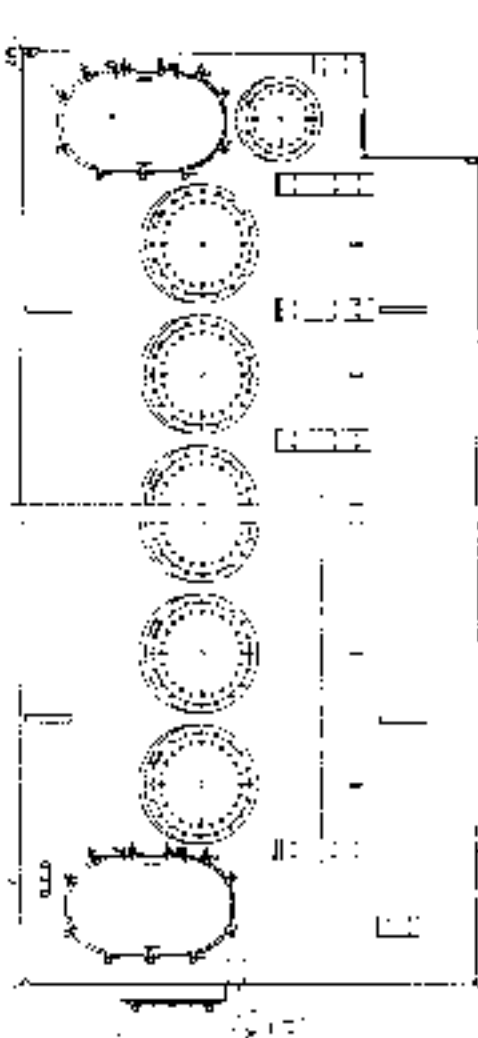
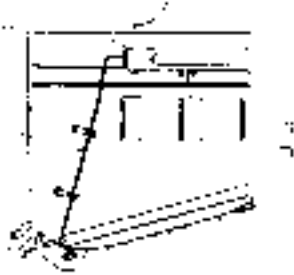
REG NO.	NAME	REG NO.	NAME
3	SCREW		
4	COPPER PACKING RINGS		
20	FLOW CONTROLLER		
21	THERMOMETER DIAL TYPE		



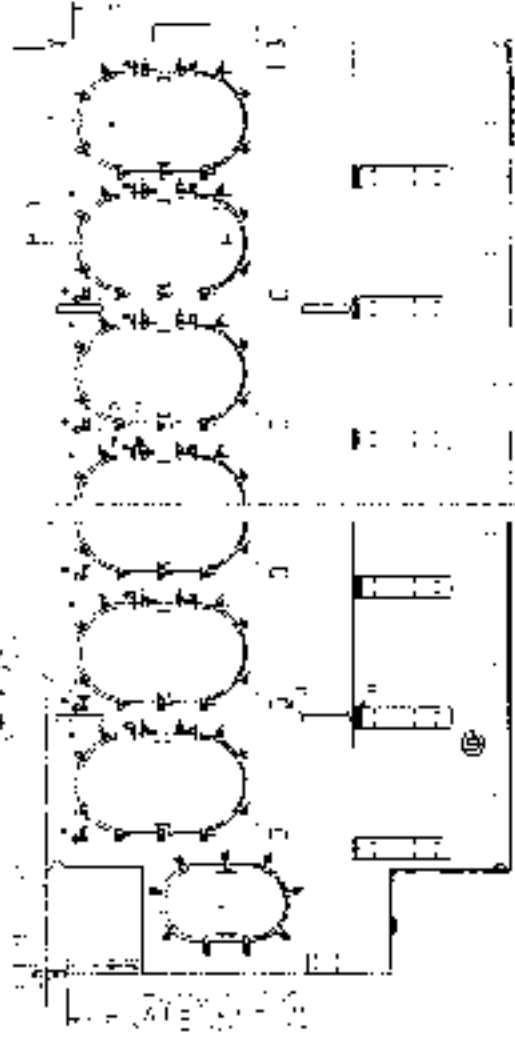
THE ROOM IN FIG. (1) M.



THE ROOM IN FIG. (2) M.



THE ROOM IN FIG. (3) M.

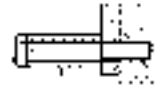
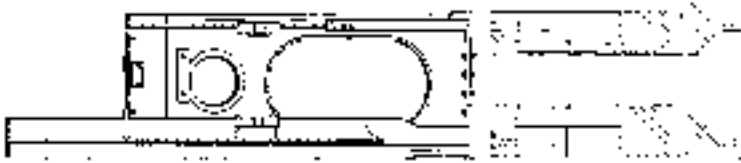


THE ROOM IN FIG. (4) M.

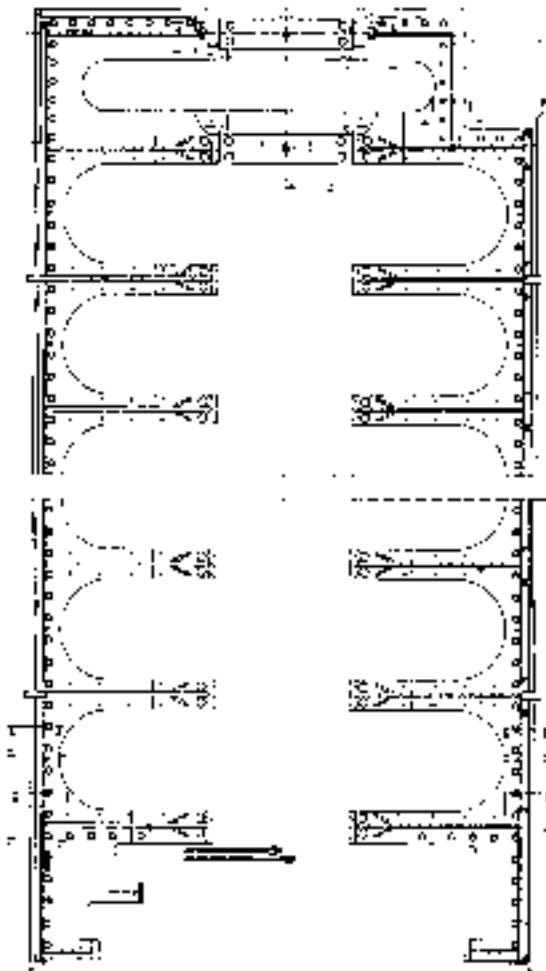
SHEET NO. 211D

FRAME BOX COMPLETE

REG NO.	PART NAME
A	FRAME BOX-WFL DING
E	DRAIN PIPE-PISTON COOLING
F	FRAME BOX DOOR
G	FRAME BOX DOOR
T	LUB OIL PIPE-MAIN BEARING
1	SPACER TUBULAR, STRAIGHT
3	DOOR FASTENER
4	WING NUTS
5	BOLT
6	BOLT
7	CAM LOCK WASHERS
8	HEXAGON SCREW
9	FITTED STD THREAD B END
14	DOOR FASTENER
15	HEXAGON SCREW
16	HEXAGON SCREW
23	PLATE
24	HEXAGON SCREW
27	HEXAGON SCREW
30	BOLT
37	SPACER TUBULAR, STRAIGHT
38	HEXAGON SCREW
46	SPRING COMPR
53	COVER
58	WASHER
77	COVER
82	LOCKING PIN
84	SPRING COMPR
118	SPRING RING
136	SCREW
177	CAUTION PLAE
178	NAME PLAE



12 13



14 15



16 17

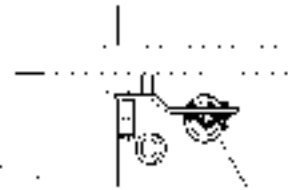
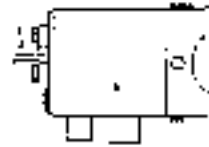
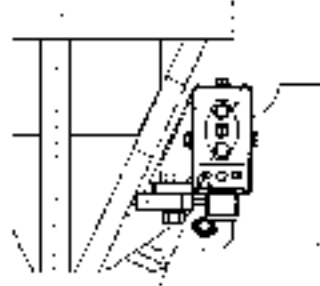
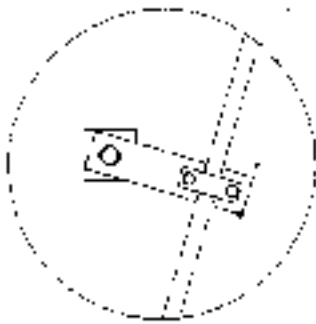
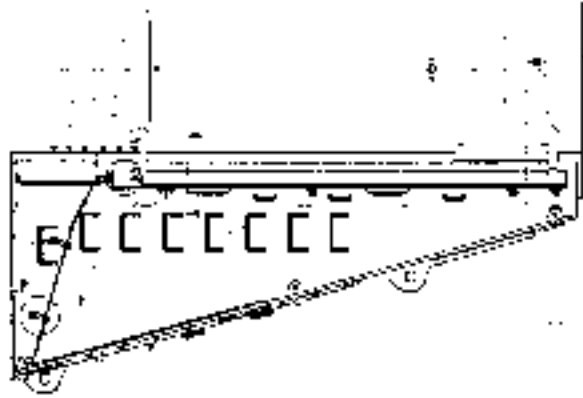
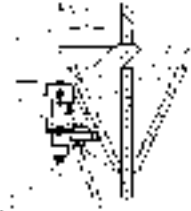


18 19

SHEET NO. 211D

FRAME BOX COMPLETE

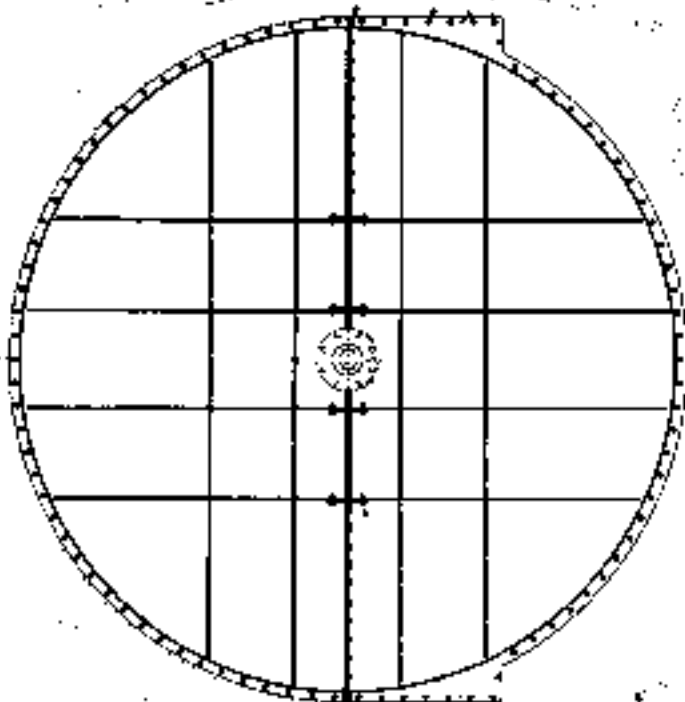
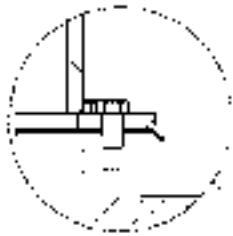
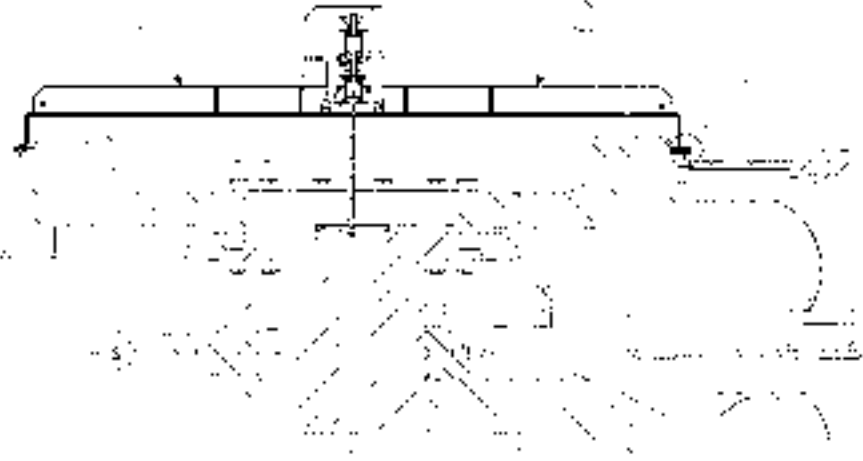
REG NO.	PART NAME
A	FRAME BOX-WELDING
E	DRAIN PIPE-PISTON COOLING
F	FRAME BOX DOOR
G	FRAME BOX DOOR
T	LUB OIL PIPE-MAIN BEARING
1	SPACER TUBULAR,STRAIGHT
3	DOOR FASTENER
4	WING NUTS
5	BOLT
6	BOLT
7	CAM LOCK WASHERS
8	HEXAGON SCREW
9	FITTED STUD. THREAD B END
14	DOOR FASTENER
15	HEXAGON SCREW
15	HEXAGON SCREW
23	PLATE
24	HEXAGON SCREW
27	HEXAGON SCREW
30	BOLT
37	SPACER TUBLLAR,STRAIGHT
38	HEXAGON SCREW
46	SPRING COMPR.
53	COVER
58	WASHER
77	COVER
82	LOCKING PIN
84	SPRING COMPR.
118	SPRING RING
136	SCREW
177	CAUT CN PLAE
178	NAME PLAF



SHLET NO 2110F FRAME BOX

REG NO.	PART NAME	REG NO.	PART NAME
E 8	P.C.O. OUTLET PIPE		
E 1	P.C.O. OUTLET PIPE		
E 5	SIGHT GLASS		
E 7	DISC		
E 9	STUD		
E 11	STUD		
E 14	DISTANCE TUBE		
L 21	STUD		
E 24	BRACKET		
E 26	DISC		
E 31	STUD		
E 34	DISC		
E 35	DISC		
E 51	DISC		
E 52	NUT		
L 53	PLATE		
E 61	CLAMP		
E 67	LOCKING WASHER		
E 73	NUT		
E 75	DRAIN BOX		
E 80	LOCKING WASHER		
E 81	DISC		
E 82	NUT		
L 83	STUD		

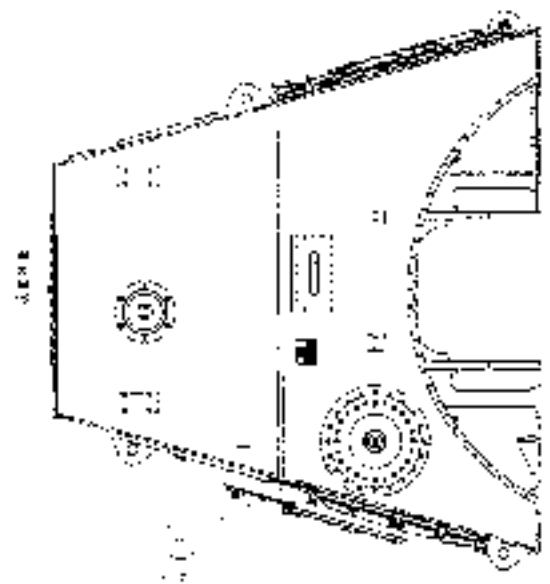
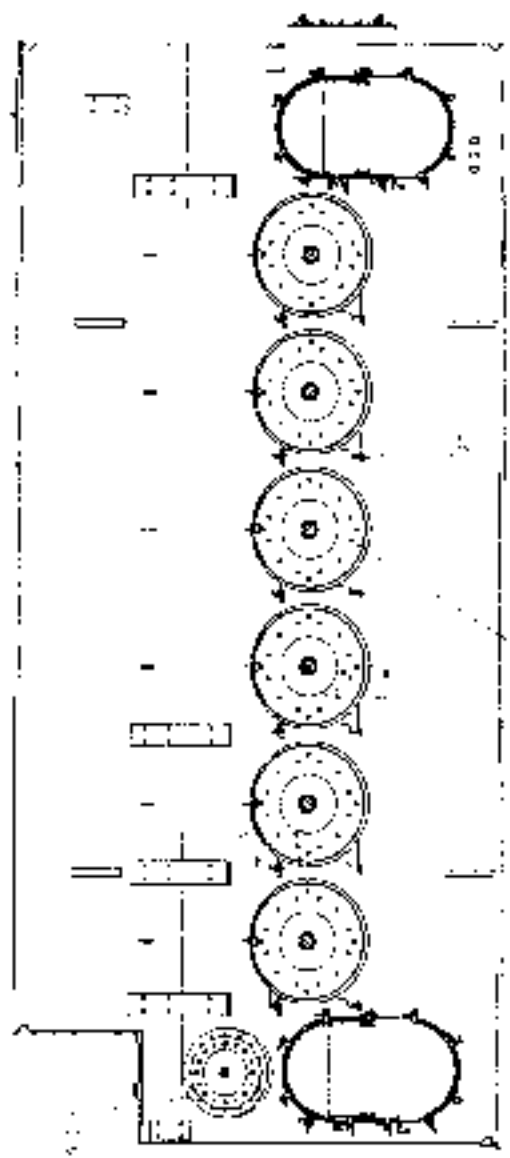
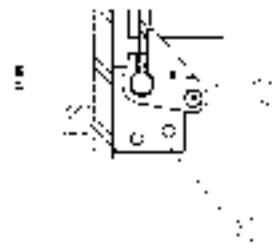
SHEET NO. 211E END SHIELD



SHEET NO. 211E

ARR. OF FORE END

REG NO.	PART NAME
K	SHIELD UPPER
L	SHIELD LOWER
2	GASKET
3	HEXAGON SCREW
10	HEXAGON SCREW
11	NUT
12	HEXAGON SCREW
15	SEALANT
24	ADJUSTING GASKET
30	PLATE
40	PIN



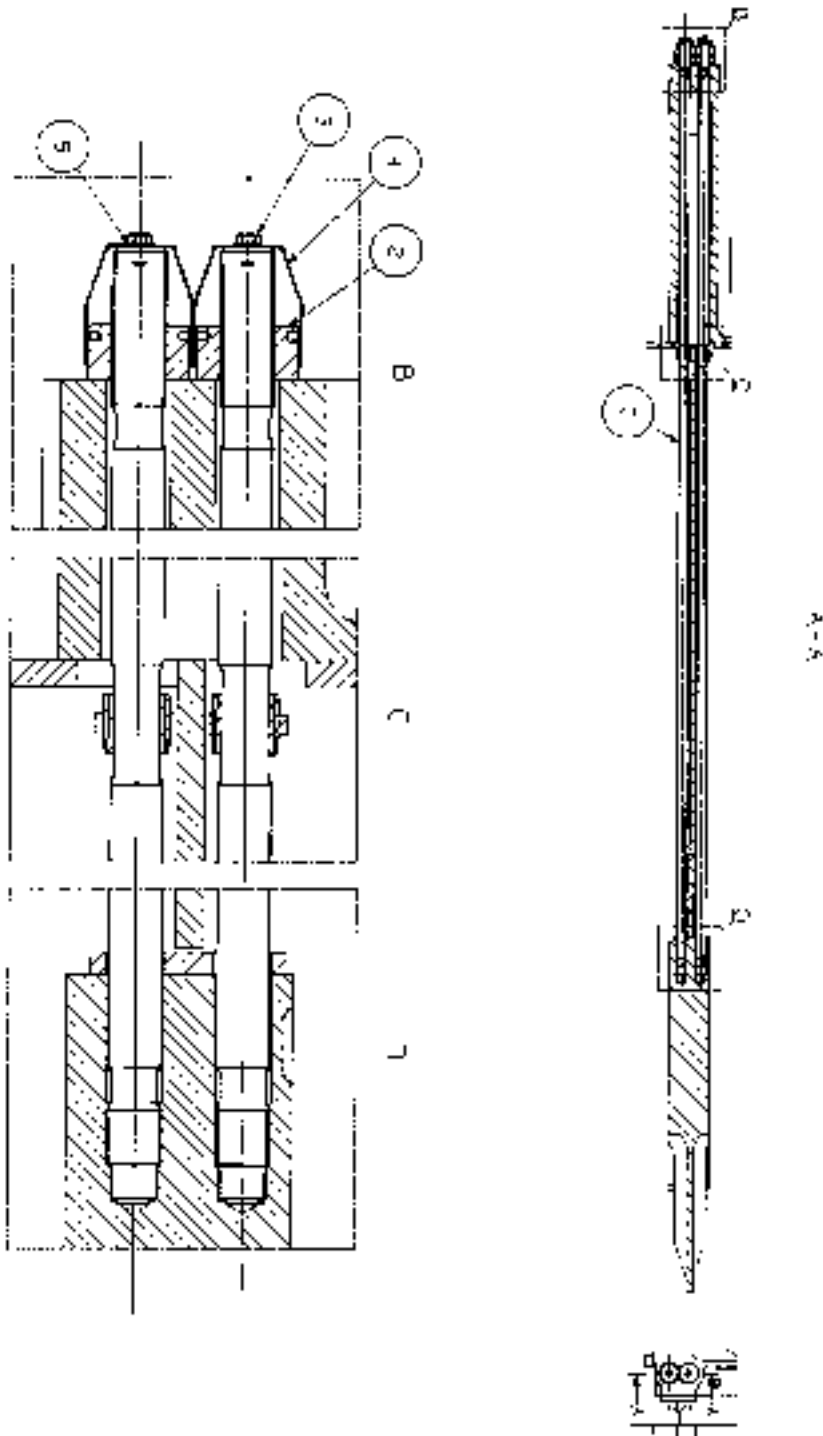
SHEET NO 211F

ARR OF RELIEF VALVE

REG NO	PART NAME
1	RELIEF VALVE
3	HEXAGON SCREW
4	HEXAGON SCREW
5	PACKING-ROUND
6	PACKING-ROUND
7	PACKING-ROUND
8	RELIEF VALVE
9	HEXAGON SCREW
13	RELIEF VALVE
17	DISC
18	DRAIN PIPE
21	PIN
23	CHAIN LINK
24	SCREW
25	BRANKEY
29	BRANKET
30	BRANKET
33	NUT



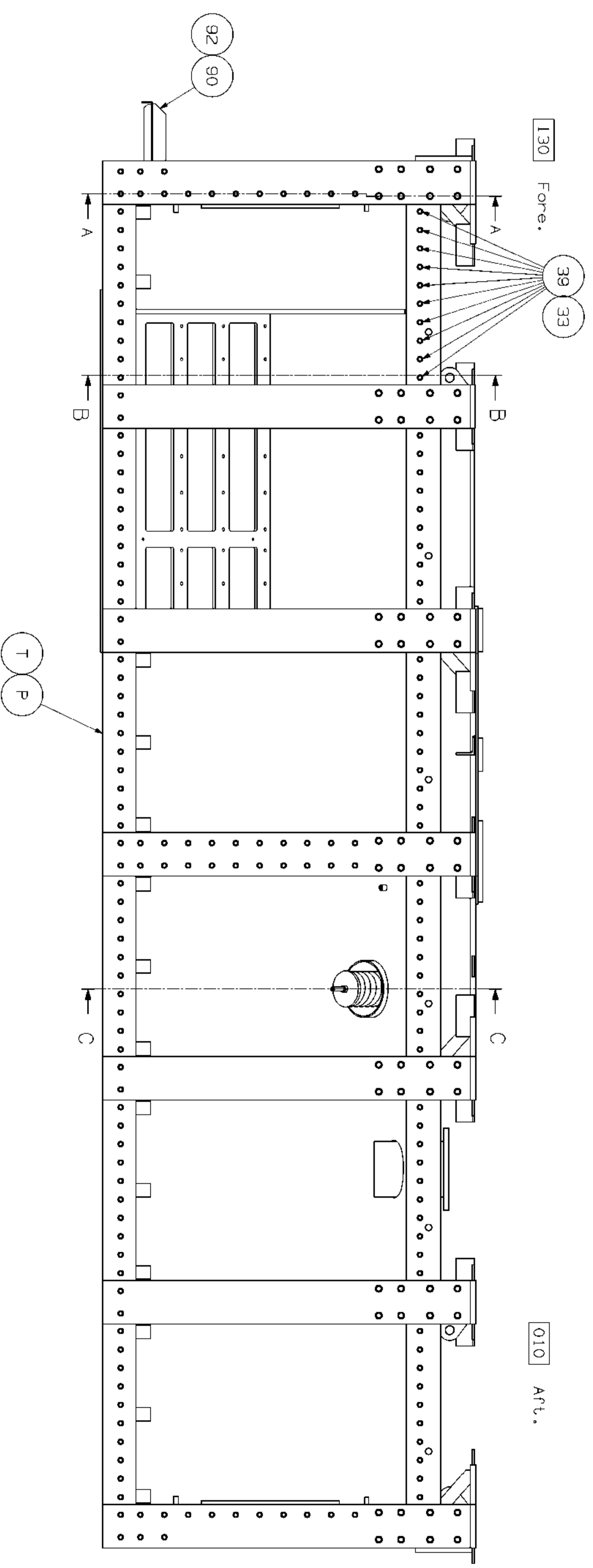
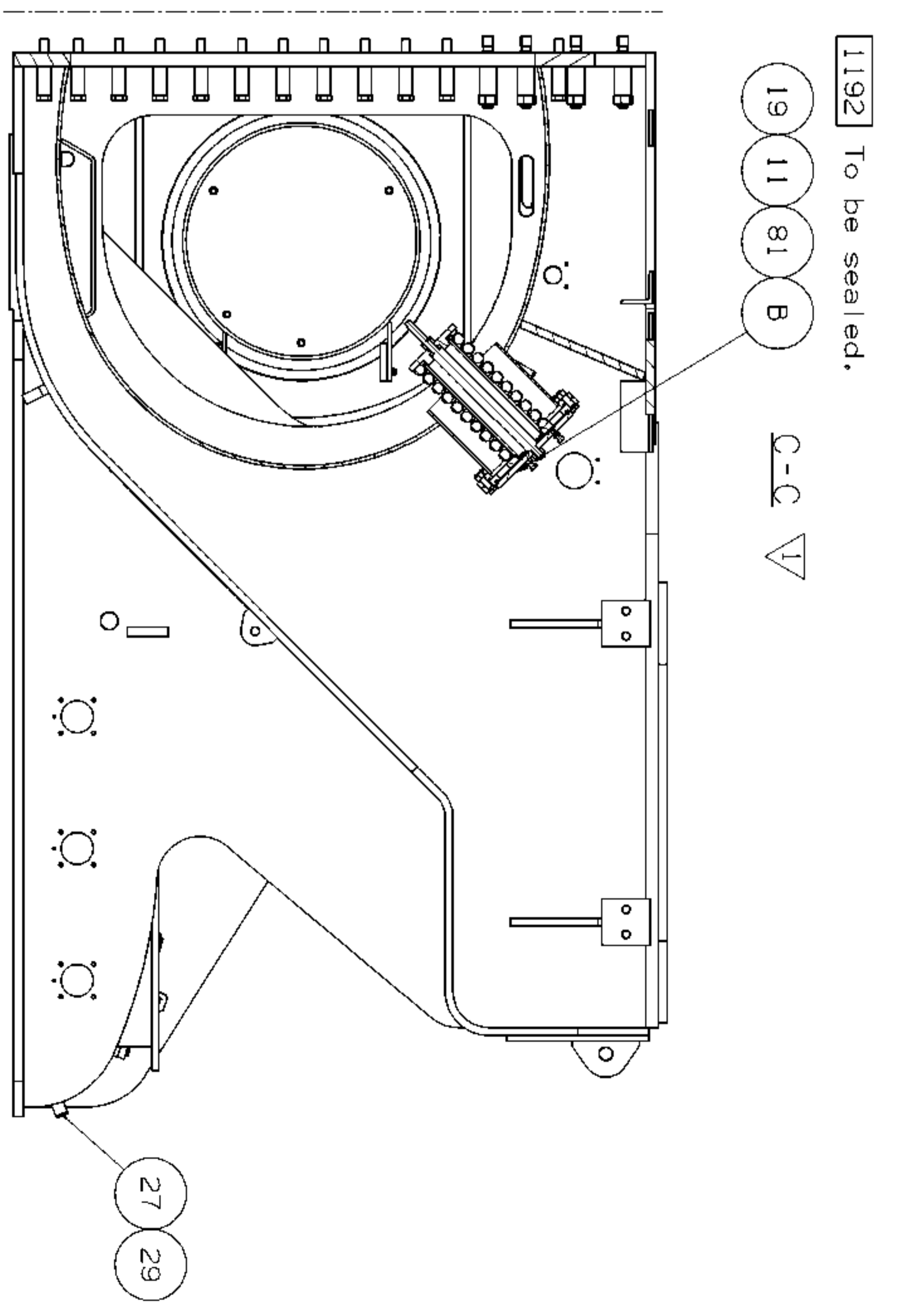
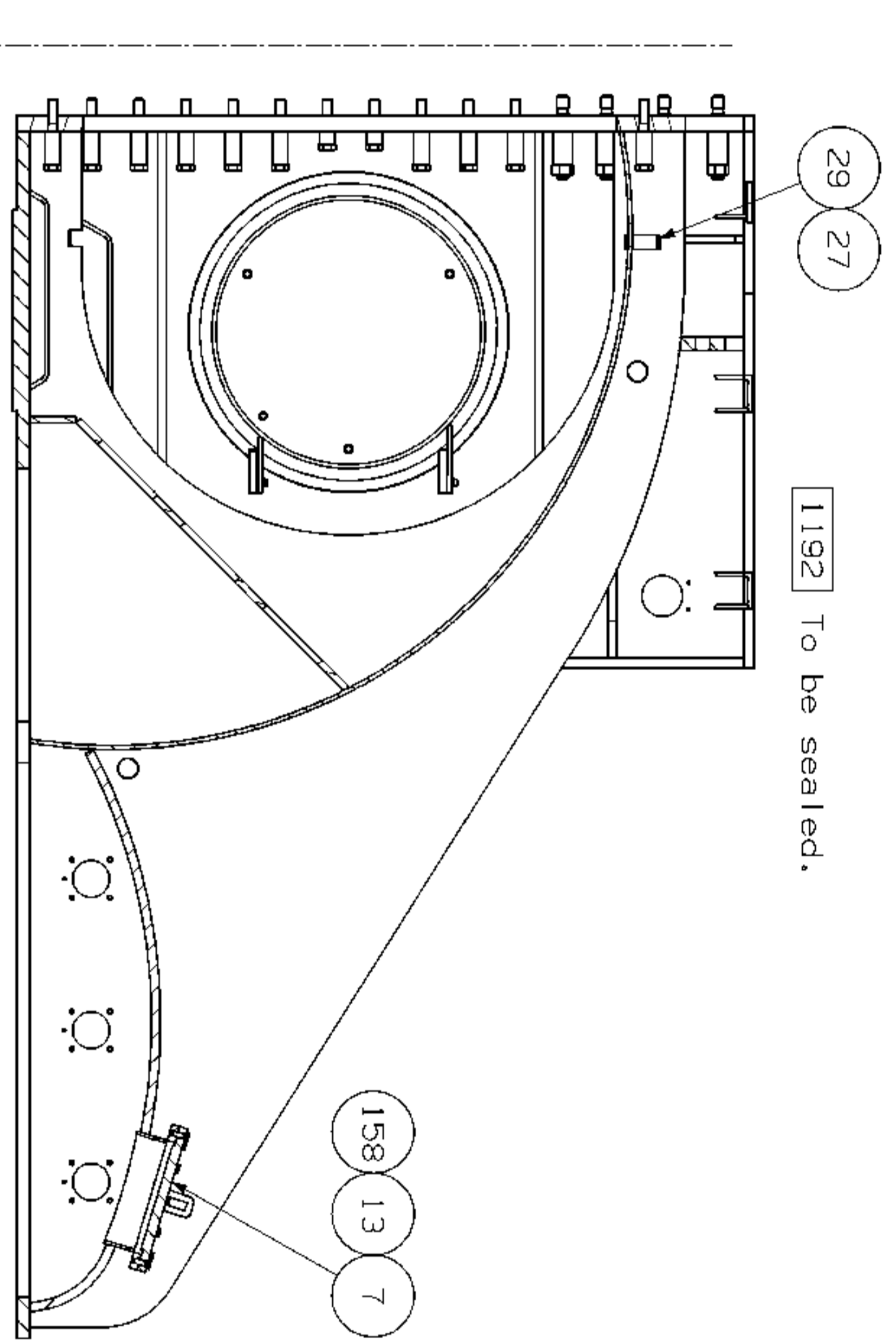
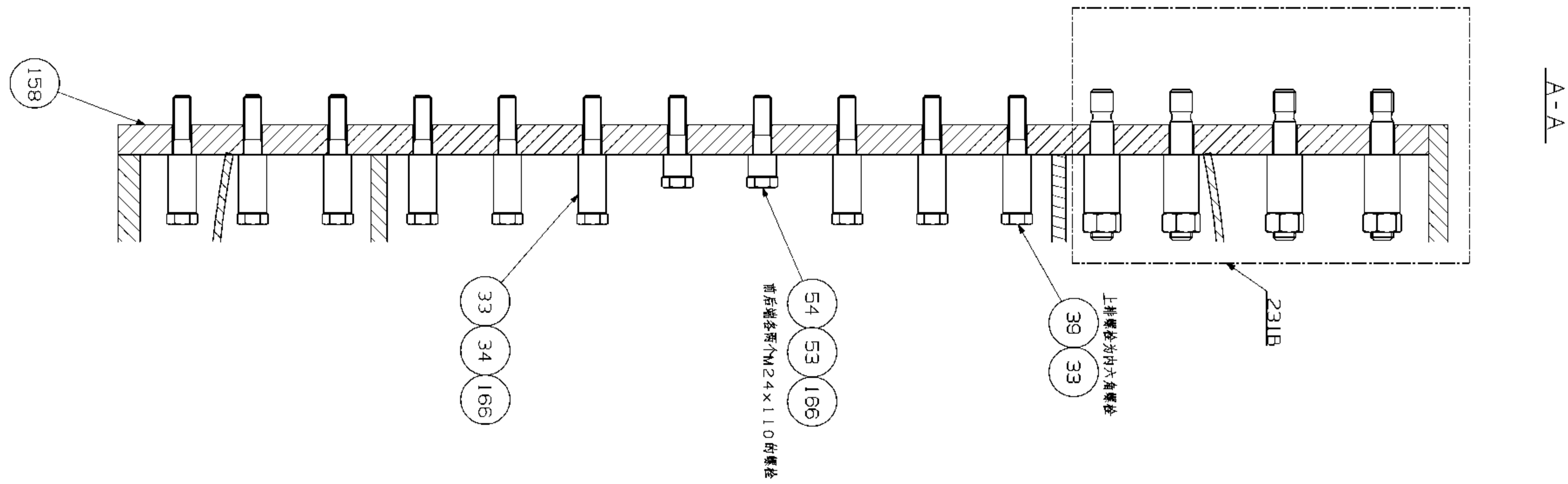
SHEET NO.221A STAY BOLT



SHEET NO. 211A

STAY BOLT

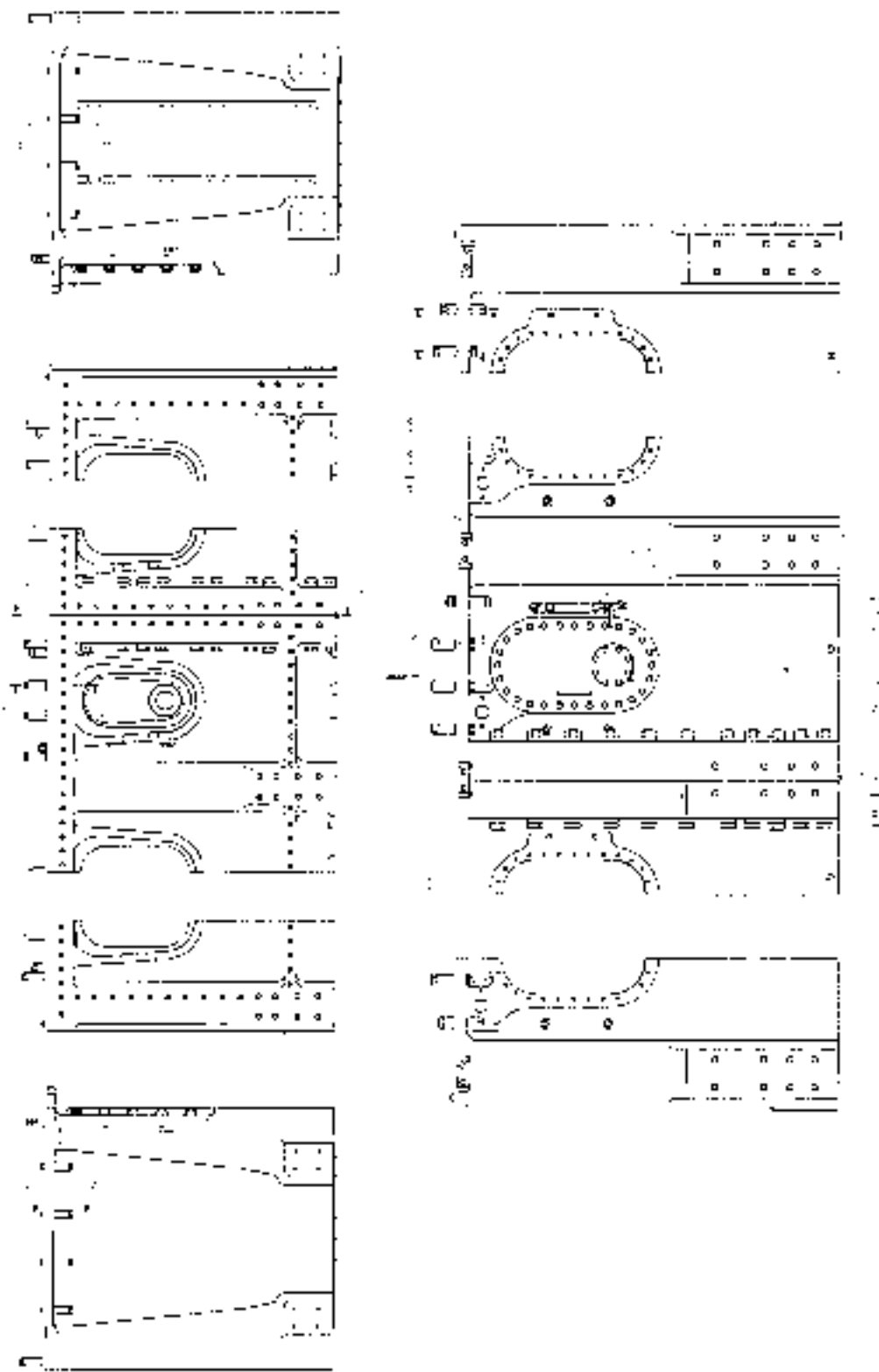
REG NO.	PART NAME
C	STAY BOLT
2	NUT
3	SCREW
4	PROTECTIVE CAP
5	GASKET



SHEET NO. 231D

SCAV. AIR RECEIVER

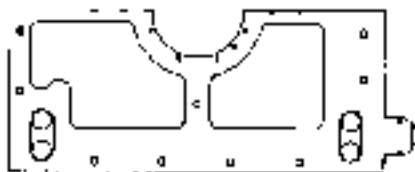
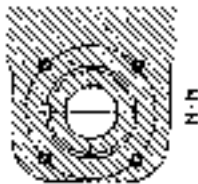
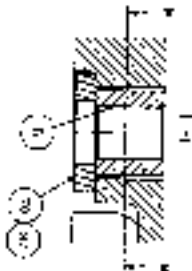
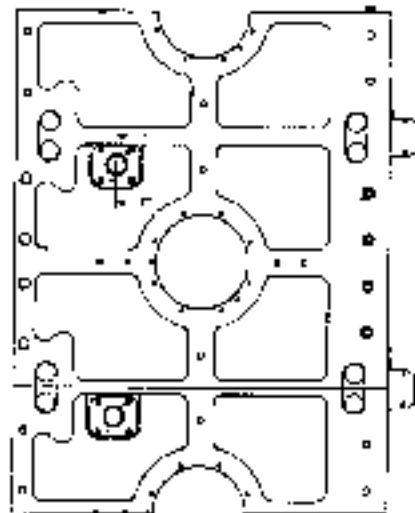
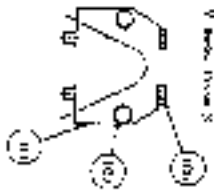
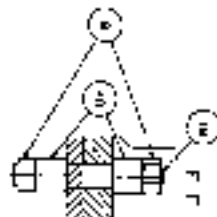
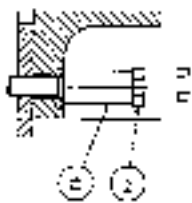
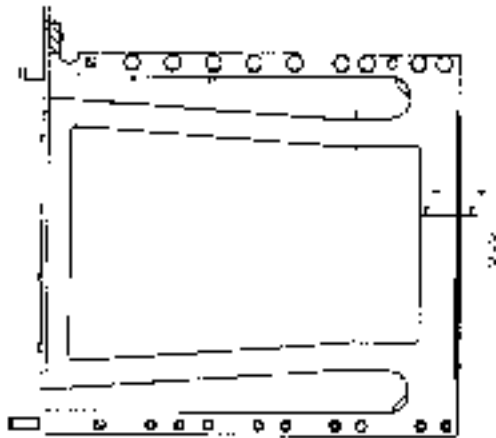
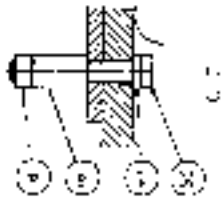
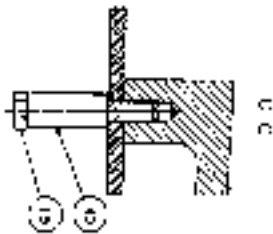
REG NO.	PART NAME
B	SAFETY VALVE
P	SCAV. AIR REC. WEDLING
T	FLOOR PL. SCAV. AIR RECEIVER
7	COVER, CIRCULAR
11	SCREW
13	SCREW
15	SCREW
19	NUT
22	SCREW
27	SCREW-PLUG
29	GASKET
33	DISTANCE PIPE
34	SCREW
39	SCREW
53	DISTANCE PIPE
54	SCREW
71	FLANGE COVER
81	GASKET
90	STEP
92	SCREW
158	SEALANT
161	CAUTION PLATE
166	GREASE



SHEET NO 231E

CYLINDER FRAME COMPLETE

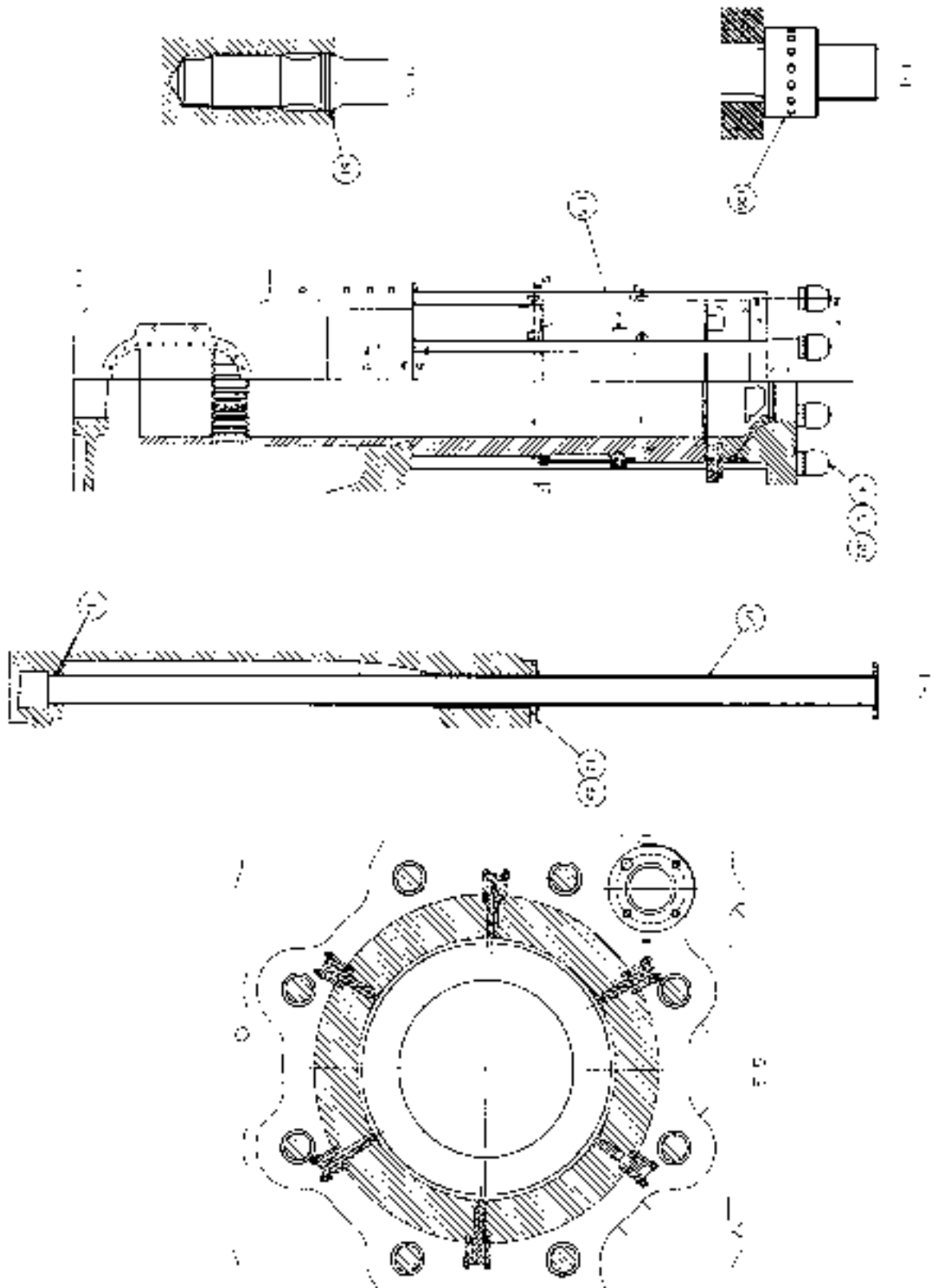
REG NO.	PART NAME
E	CYLINDER FRAME
M	CLEANING COVER COMPLETE
MA	CLEANING COVER
MB	LOCKING PIN
MB 1	LOCKING PIN
MB 2	SPRING
MH 3	SPRING RING
4	WASHER
5	SCREW
8	BUSHING
9	NUT
12	SCREW
13	SCREW
18	SCREW
19	FITTED STUD
20	SCREW
23	SCREW
24	DISTANCE PIPE
25	SCREW
28	SCREW
37	SCREW
38	DISTANCE PIPE
39	DISTANCE PIPE
40	DISTANCE PIPE
41	DISTANCE PIPE
48	DISTANCE PIPE
51	O-RING
58	SEALING PLATE
57	RUBBER O-RING
70	FLANGE
82	GASKET
83	SHIM
96	HINGE
97	FLANGE COVER
98	GASKET
99	SCREW
103	COVER
105	NUT
106	SCREW
107	SCREW
115	STUD
119	SEALING RING
122	PROTECTIVE CAP
123	PROTECTIVE TUBE



SHEET NO. 231E

CYLINDER FRAME COMPLETE

REG NO.	PART NAME
E	CYLINDER FRAME
M	CLEANING COVER COMPLETE
MA	CLEANING COVER
MB	LOCKING PIN
MB 1	LOCKING PIN
MB 2	SPRING
MB 3	SPRING RING
4	WASHER
5	SCREW
8	BUSHING
9	NUT
12	SCREW
13	SCREW
14	SCREW
19	FITTED STUD
20	SCREW
23	SCREW
24	DISTANCE PIPE
25	SCREW
28	SCREW
37	SCREW
38	DISTANCE PIPE
39	DISTANCE PIPE
40	DISTANCE PIPE
41	DISTANCE PIPE
48	DISTANCE PIPE
51	O-RING
56	SEALING PLATE
57	RUBBER O-RING
70	FLANGE
82	GASKET
83	SHIM
96	HINGE
97	FLANGE COVER
98	GASKET
99	SCREW
103	COVER
105	NUT
106	SCREW
107	SCREW
110	STUD
119	SEALING RING
122	PROTECTIVE CAP
123	PROTECTIVE TUBE

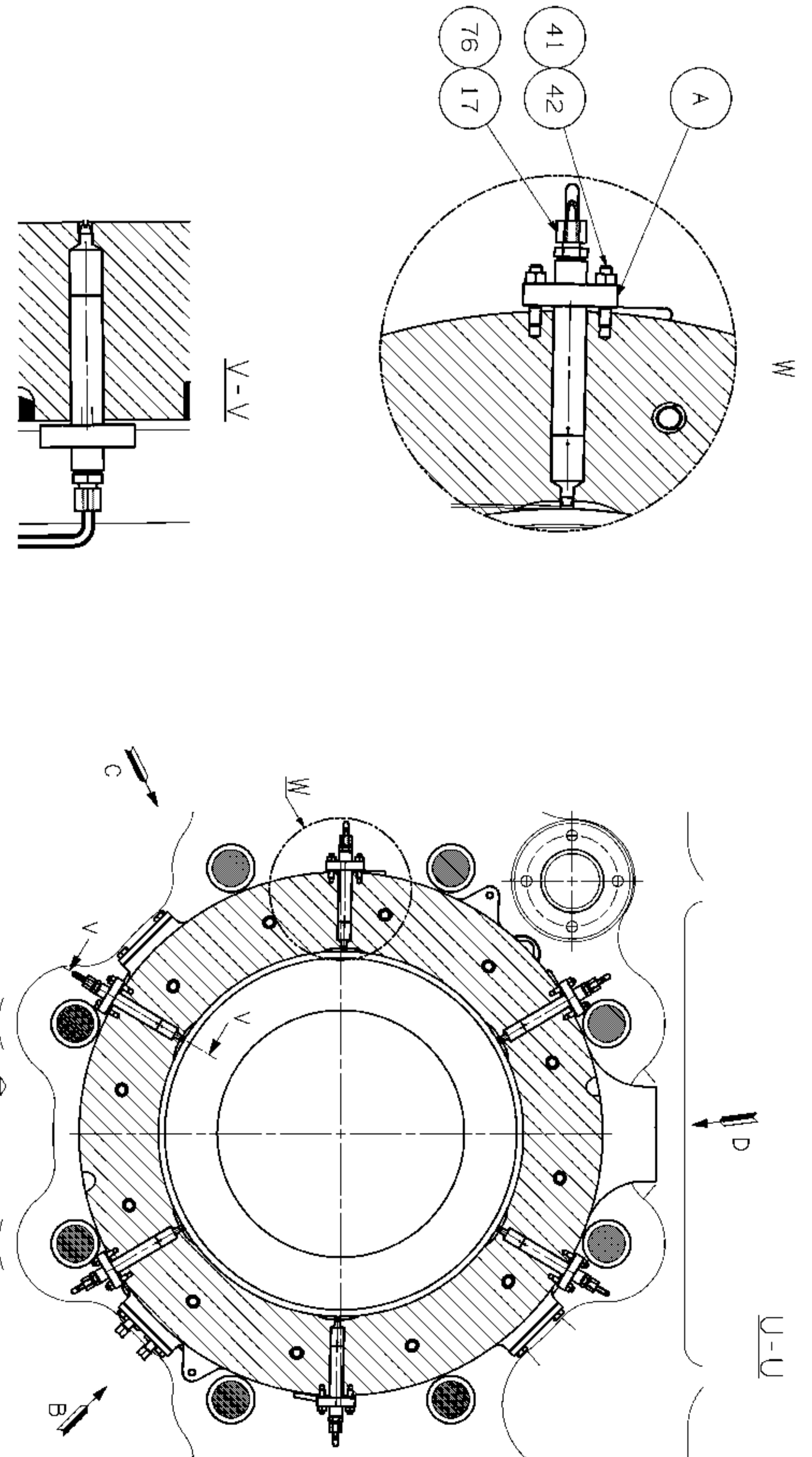
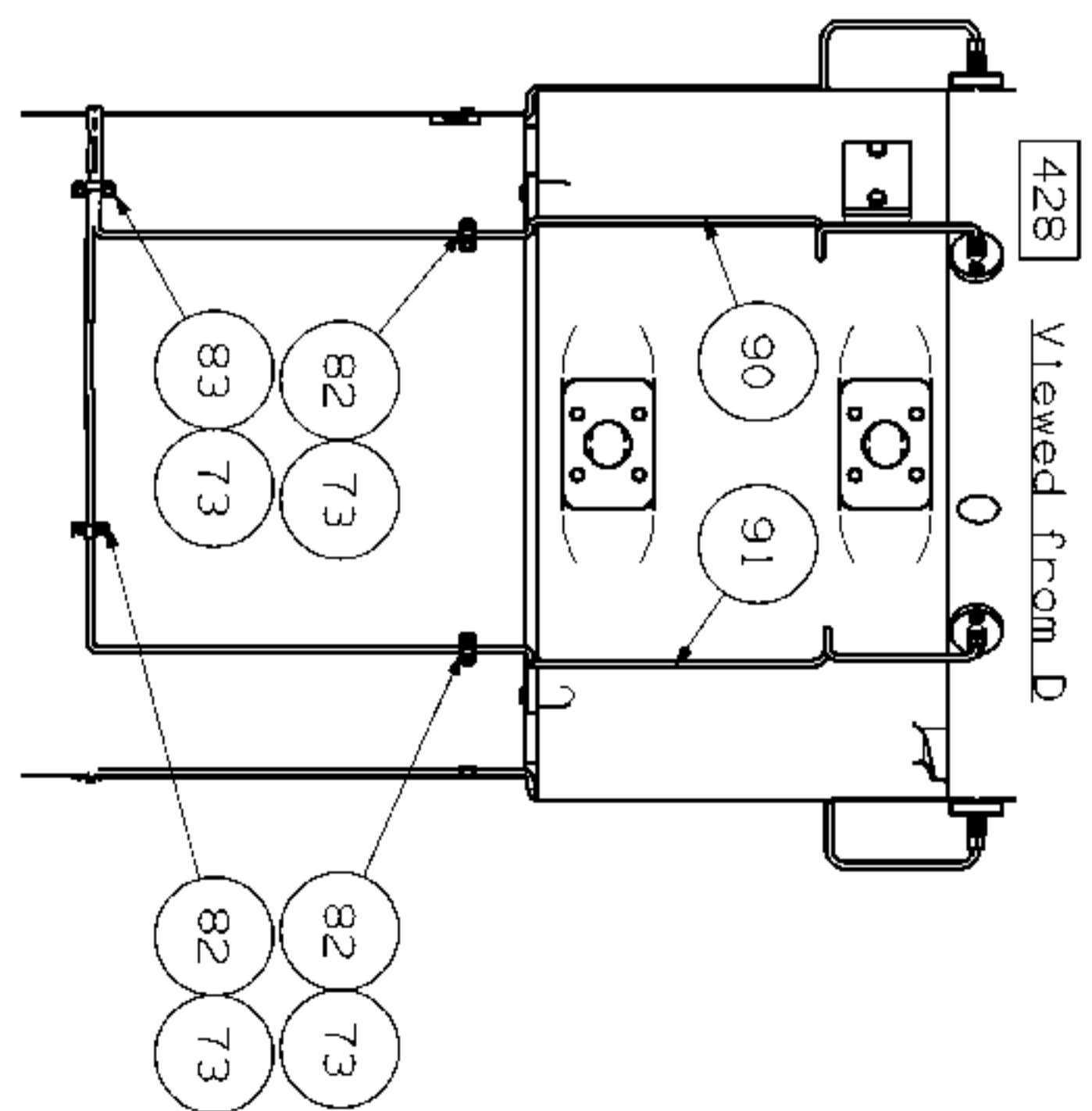
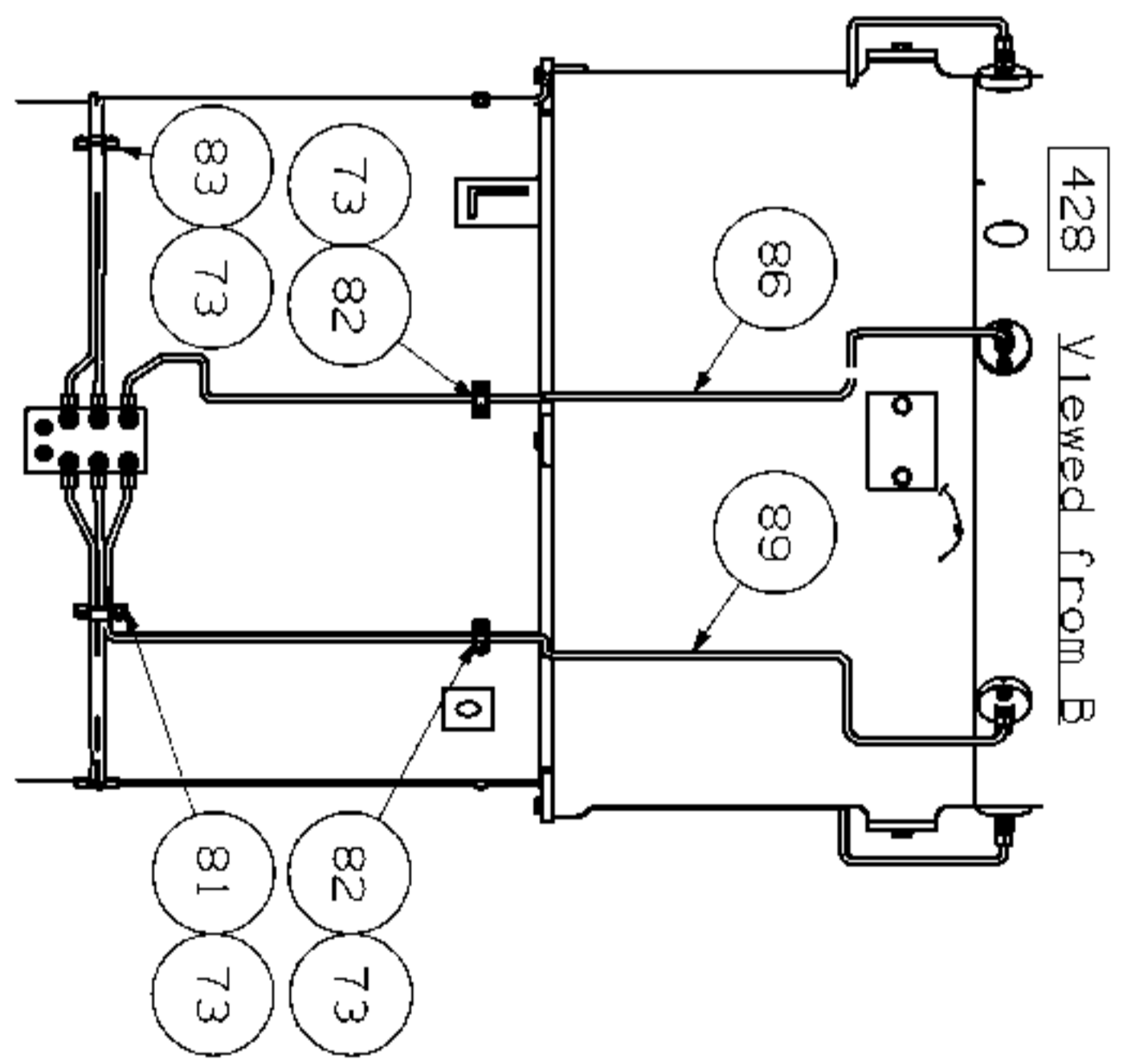
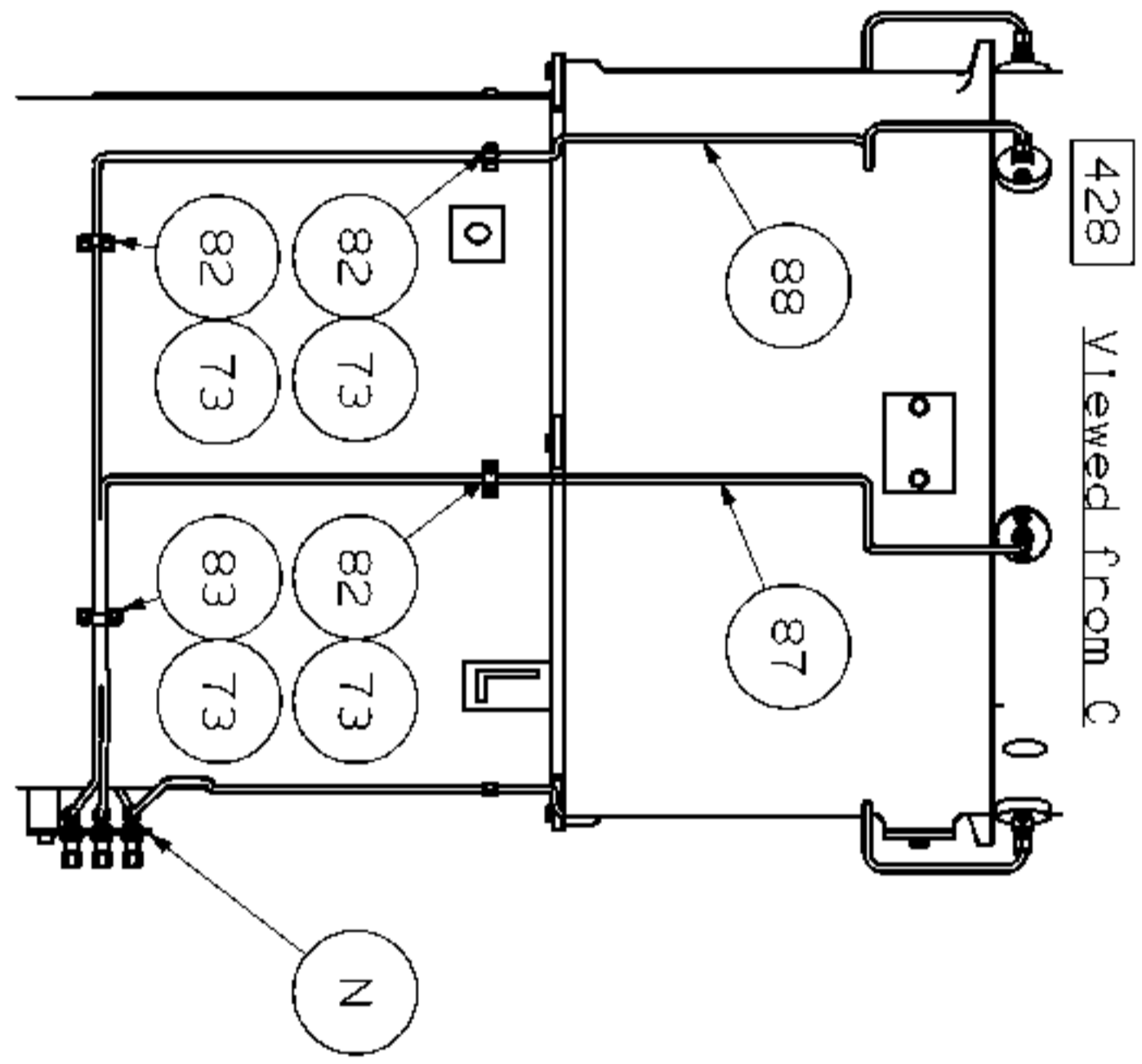
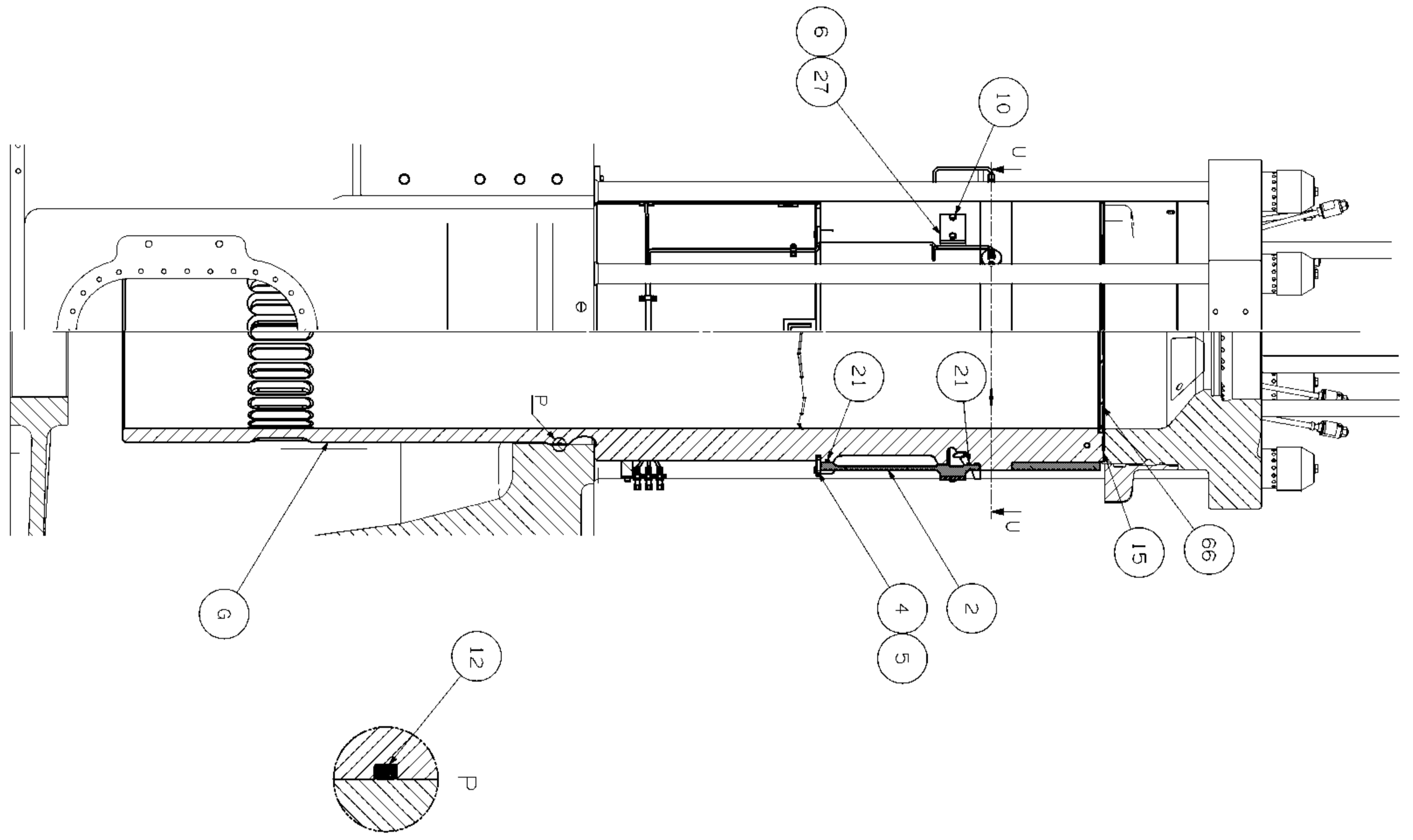


SHIFT NO. 23 E

CYLINDER FRAME COMPLETE

REG NO.	PART NAME
E	CYLINDER FRAME
M	CLEANING COVER COMPLETE
MA	CLEANING COVER
MB	LOCKING PIN
MB 1	LOCKING PIN
MB 2	SPRING
MB 3	SPRING RING
4	WASHER
5	SCREW
8	BUSHING
9	NUT
12	SCREW
13	SCHLW
18	SCREW
19	FITTED STUD
20	SCREW
23	SCREW
24	DISTANCE PIPE
25	SCREW
28	SCREW
37	SCREW
38	DISTANCE PIPE
39	DISTANCE PIPE
40	DISTANCE PIPE
41	DISTANCE PIPE
48	DISTANCE PIPE
51	O-RING
55	SEALING PLATE
57	PUHFR O RING
70	FLANGE
82	GASKET
83	SHIM
96	HINGE
97	FLANGE COVER
98	GASKET
99	SCREW
103	COVER
105	NUT
105	SCREW
107	SCREW
113	STUD
119	SEALING RING
122	PROTECTIVE CAP
173	PROTECTIVE TUBE

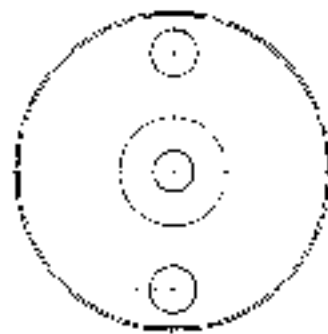
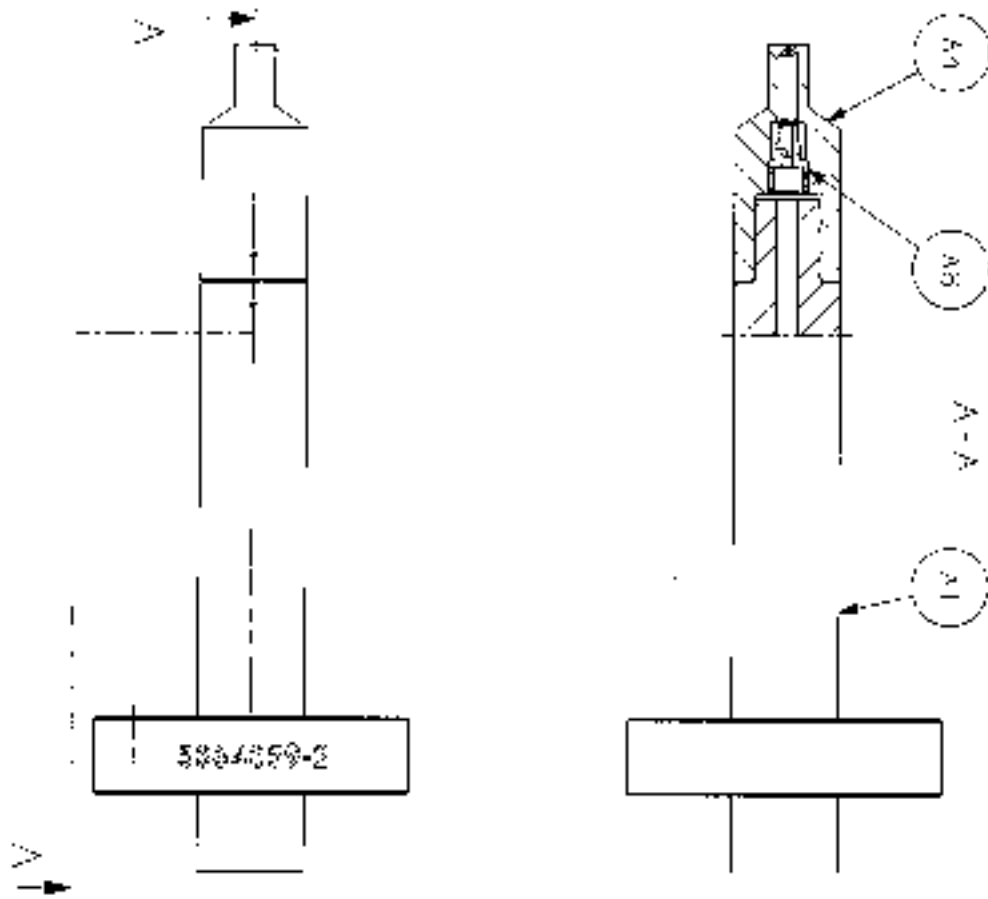
SHEET NO. 231F CYLINDER LINER



SHEET NO.231F

CYLINDER LINER

REG NO.	PART NAME
A	NON-RETURN VALVE
A 1	BODY NON-RETURN VALVE
A 4	HOUSING NON-RETURN VALVE
A 6	NON-RETURN VALVE
G	CYLINDER LINER COMPLETE
G 1	CYLINDER LINER
G 1E	STRONG BACK RING
G 2	COOLING PIPE
G 3	SPRING PN
G 7	SCREW-PLUG
G 11	GASKET
N	SUPPORT
N 1	PLATE
N 2	PLATE
N 3	PIPE JOINT
N 4	SCREW
	2 COOLING JACKET
	4 CLAMP
	5 SCREW
	6 GASKET
	10 SCREW
	12 O-RING
	15 GASKET
	17 GASKET
	21 O-RING
	27 COOLING WATER CONNECTION
	41 SCREW
	42 NUT
	66 PISTION CLEANING RING
	73 SCREW
	76 PIPE JOINT
	81 PIPE CLAMP
	82 PIPE CLAMP
	83 PIPE CLAMP
	86 PIPE
	87 PIPE
	88 PIPE
	89 PIPE
	90 PIPE
	91 PIPE

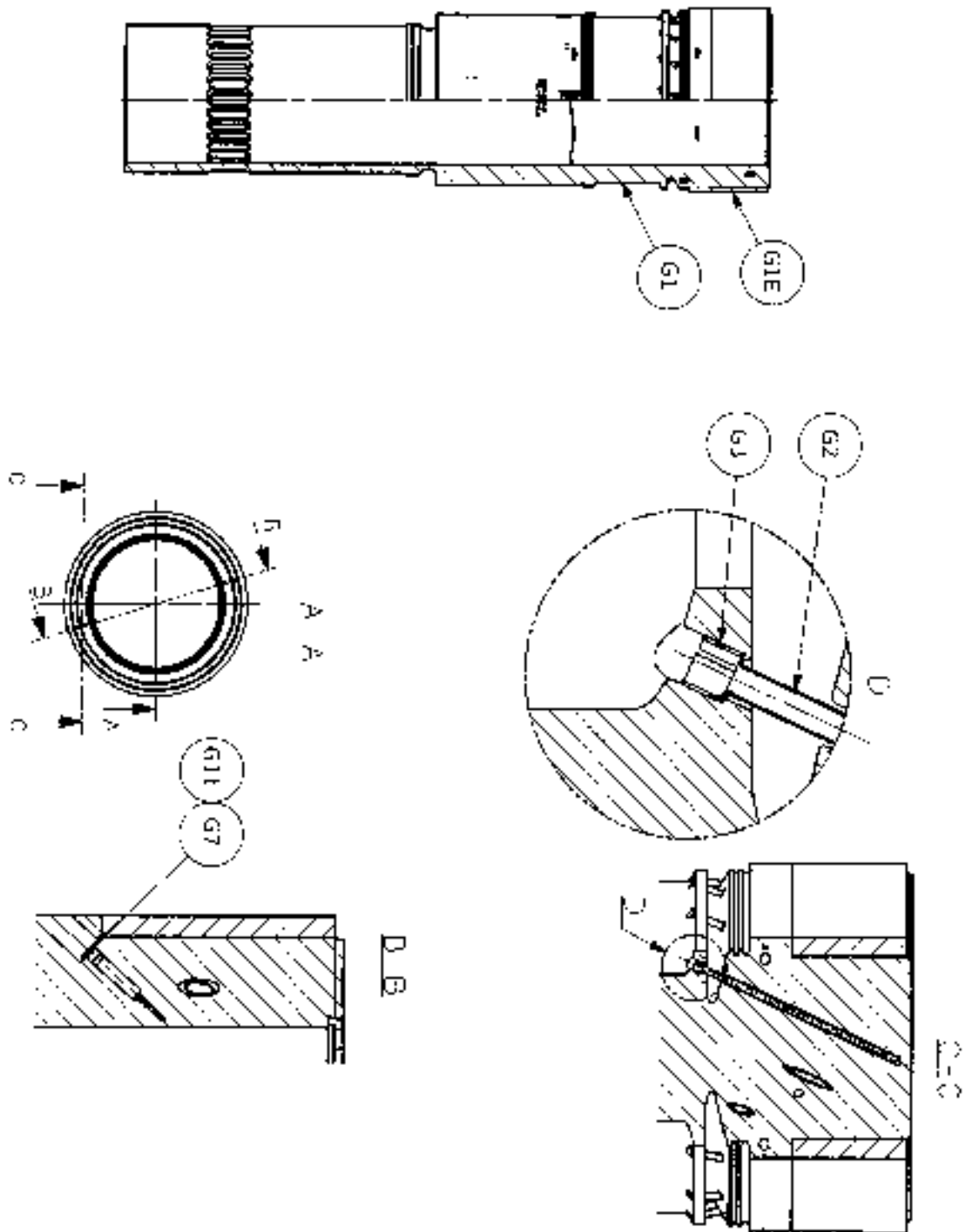


SHEET NO.231F

CYLINDER LINER

REG NO.	PART NAME
A	NON-RETURN VALVE
A 1	BODY NON-RETURN VALVE
A 4	HOUSING NON-RETURN VALVE
A 6	NON-RETURN VALVE
G	CYLINDER LINER COMPLETE
G 1	CYLINDER LINER
G 1E	STRONG BACK RING
G 2	COOLING PIPE
G 3	SPRING PN
G 7	SCREW-PLUG
G 11	GASKET
N	SUPPORT
N 1	PLATE
N 2	PLATE
N 3	PIPE JOINT
N 4	SCREW
2	COOLING JACKET
4	CLAMP
5	SCREW
6	GASKET
10	SCREW
12	O-RING
15	GASKET
17	GASKET
21	O-RING
27	COOLING WATER CONNECTION
41	SCREW
42	NUT
66	PISTION CLEANING RING
73	SCREW
76	PIPE JOINT
81	PIPE CLAMP
82	PIPE CLAMP
83	PIPE CLAMP
86	PIPE
87	PIPE
88	PIPE
89	PIPE
90	PIPE
91	PIPE

SHEET NO. 231F CYLINDER LINER



SHEET NO.231F

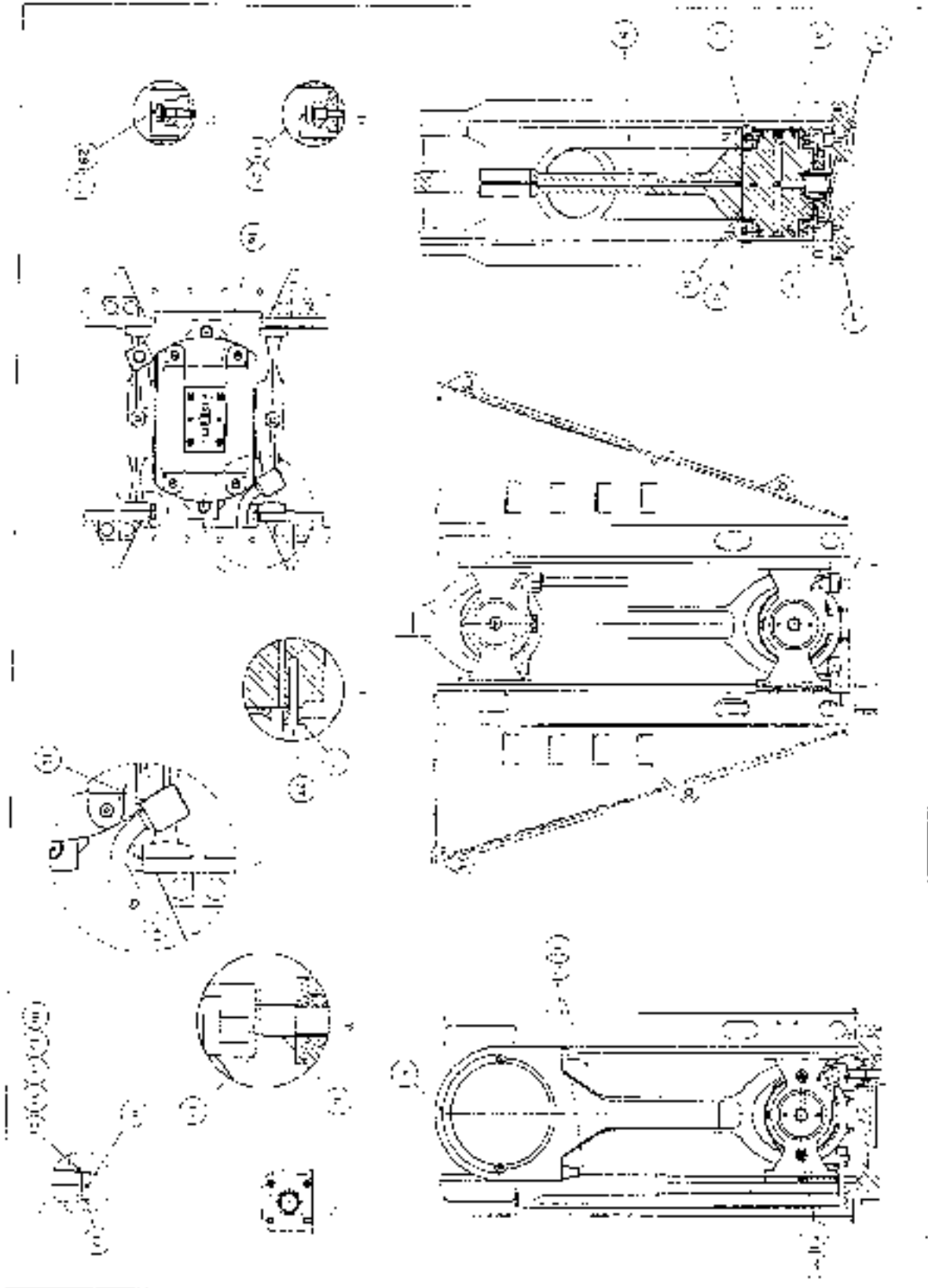
CYLINDER LINER

REG NO.	PART NAME
A	NON-RETURN VALVE
A 1	BODY NON-RETURN VALVE
A 4	HOUSING NON-RETURN VALVE
A 6	NON-RETURN VALVE
G	CYLINDER LINER COMPLETE
G 1	CYLINDER LINER
G 1E	STRONG BACK RING
G 2	COOLING PIPE
G 3	SPRING PN
G 7	SCREW-PLUG
G 11	GASKET
N	SUPPORT
N 1	PLATE
N 2	PLATE
N 3	PIPE JOINT
N 4	SCREW
2	COOLING JACKET
4	CLAMP
5	SCREW
6	GASKET
10	SCREW
12	O-RING
15	GASKET
17	GASKET
21	O-RING
27	COOLING WATER CONNECTION
41	SCREW
42	NUT
66	PISTION CLEANING RING
73	SCREW
76	PIPE JOINT
81	PIPE CLAMP
82	PIPE CLAMP
83	PIPE CLAMP
86	PIPE
87	PIPE
88	PIPE
89	PIPE
90	PIPE
91	PIPE



WILL YOUR CONNECTION FOR A CROSS-HEAD

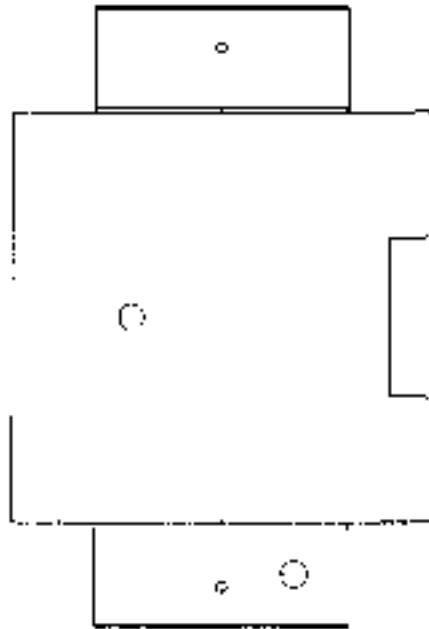
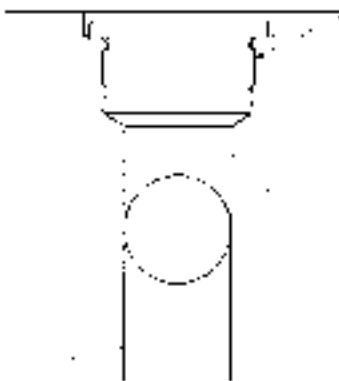
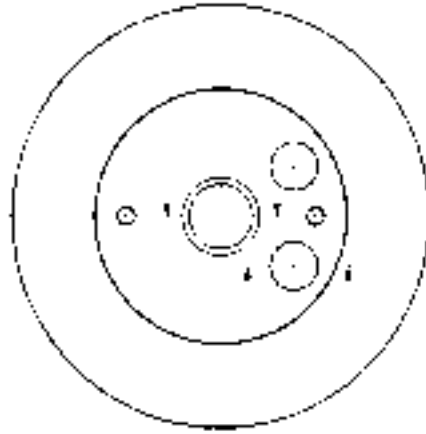
172



SHEET NO. 3-1A

CONNECTION ROD & CROSSHEAD

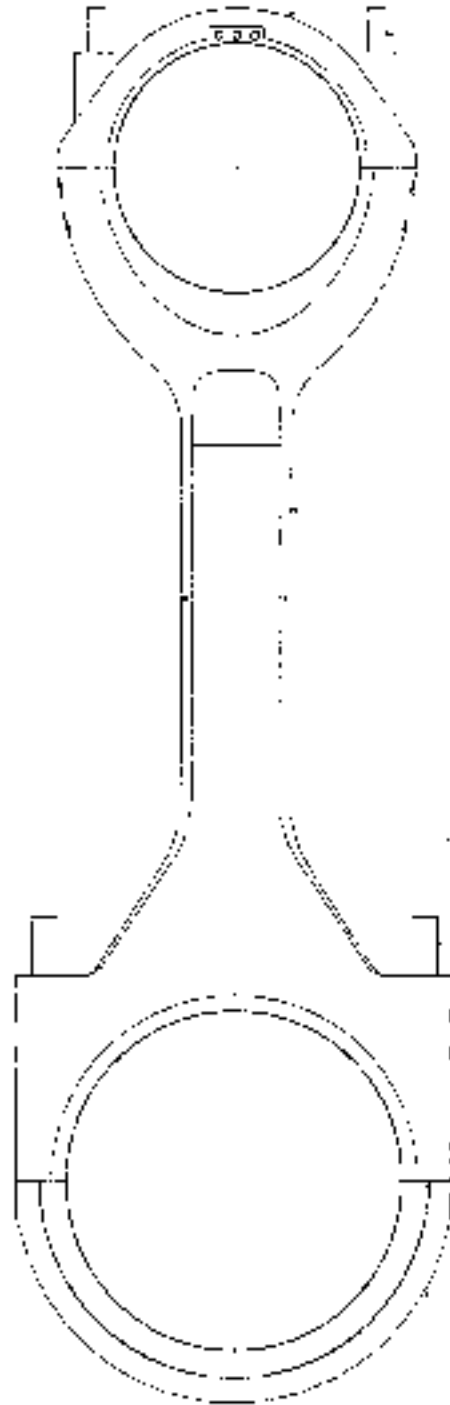
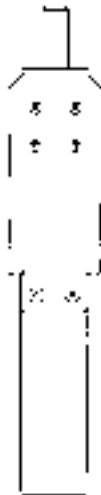
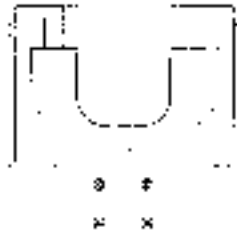
REG NO.	PART NAME
A	CROSSHEAD COMPLETE
A 1	CROSSHEAD PIN
A 2	OILFLOW REGULATING PLUG
A 3	SCREW PLUG
B	CONNECTING ROD
B 1	CROSSHEAD BEARING CAP
B 2	CONNECTING ROD
B 3	CRANKPIN BEARING CAP
B 4	PIN
B 5	STLD
B 7	NUT
B 13	CONNECTING ROD STUD
B 14	NUT
D	TELESCOPIC PIPE
2	GUIDE SHOE
4	CROSSHEAD BEARING SHELL
5	CRANKPIN BEARING SHELL
6	GUIDE SHOE
8	SCREW
9	CROSSHEAD BEARING SHELL
11	THRUST PIECE
12	SCREW
13	STOP SCREW
14	OUTLET PIPE
15	GASKET
16	GUIDE RING
17	GUIDE STRIP
18	SHIM
19	SHIM
20	SHIM
21	SHIM
23	GASKET
27	SCREW
29	STOP SCREW
33	SCREW
34	SHIM
37	SCREW
40	NUT



SHEET NO. 3' 1A

CONNECTION ROD&CROSSHEAD

FIG NO.	PART NAME
A	CROSSHEAD COMPLETE
A 1	CROSSHEAD PIN
A 2	OILFLOW REGULATING PLUG
A 3	SCREW PLUG
B	CONNECTING ROD
B 1	CROSSHEAD BEARING CAP
B 2	CONNECTING ROD
B 3	CRANKPIN BEARING CAP
B 4	PIN
B 5	STUD
B 7	NUT
B 13	CONNECTING ROD STUD
B 14	NUT
D	TELESCOPIC PIPE
2	GUIDE SHOE
4	CROSSHEAD BEARING SHELL
5	CRANKPIN BEARING SHELL
6	GUIDE SHOE
8	SCREW
9	CROSSHEAD BEARING SHELL
11	THRUST PIECE
12	SCREW
13	STOP SCREW
14	OUTLET PIPE
15	GASKET
16	GUIDE RING
17	GUIDE STRIP
18	SHIM
19	SHIM
20	SHIM
21	SHIM
23	GASKET
27	SCREW
29	STOP SCREW
33	SCREW
34	SHIM
37	SCREW
40	NUT



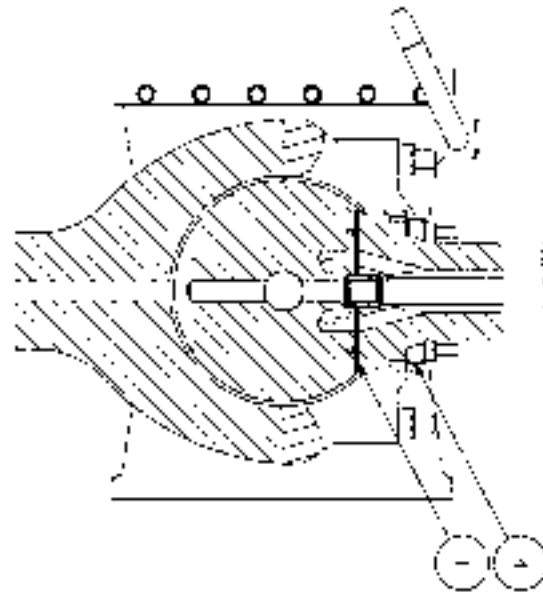
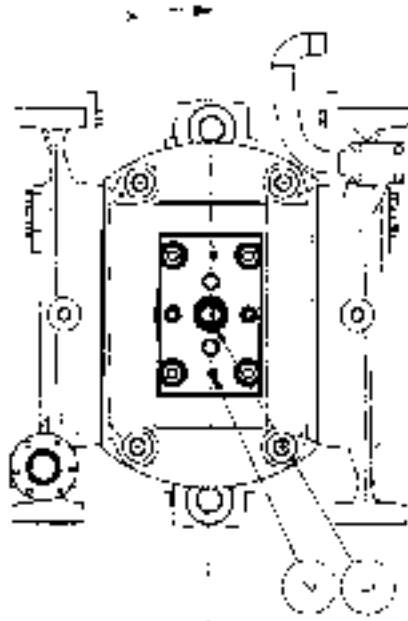
SHEET NO 011A

CONNECTION ROD&CROSSHEAD

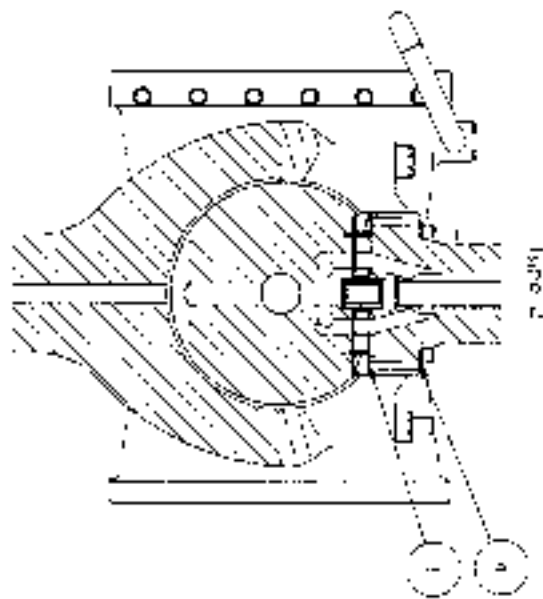
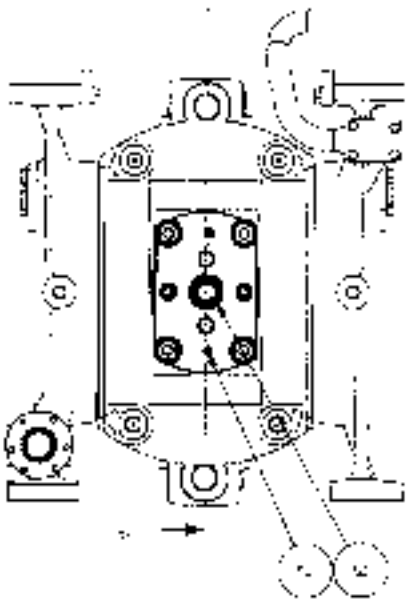
REG NO.	PART NAME
A	CROSSHEAD COMPLETE
A 1	CROSSHEAD P.N
A 2	OIL FLOW REGULATING PLUG
A 3	SCREW PLUG
R	CONNECTING ROD
B 1	CROSSHEAD BEARING CAP
B 2	CONNECTING ROD
B 3	CRANKPIN BEARING CAP
B 4	PIN
B 5	STUD
B 7	NUT
B 13	CONNECTING ROD STUD
B 14	NUT
D	TELESCOPIC PIPE
2	GUIDE SHOE
4	CROSSHEAD BEARING SHELL
5	CRANKPIN BEARING SHELL
6	GUIDE SHOE
8	SCREW
9	CROSSHEAD BEARING SHELL
11	THRUST PIECE
12	SCREW
13	STOP SCREW
14	CUTLER PIN
15	GASKET
16	GUIDE RING
17	GLIDE STRIP
18	SHIM
19	SHIM
20	SHIM
21	SHIM
23	GASKET
27	SCREW
29	STOP SCREW
33	SCREW
34	SHIM
37	SCREW
40	NUT



SHEET NO. 3013 SHIV



1 & 2 under piston rod type 1

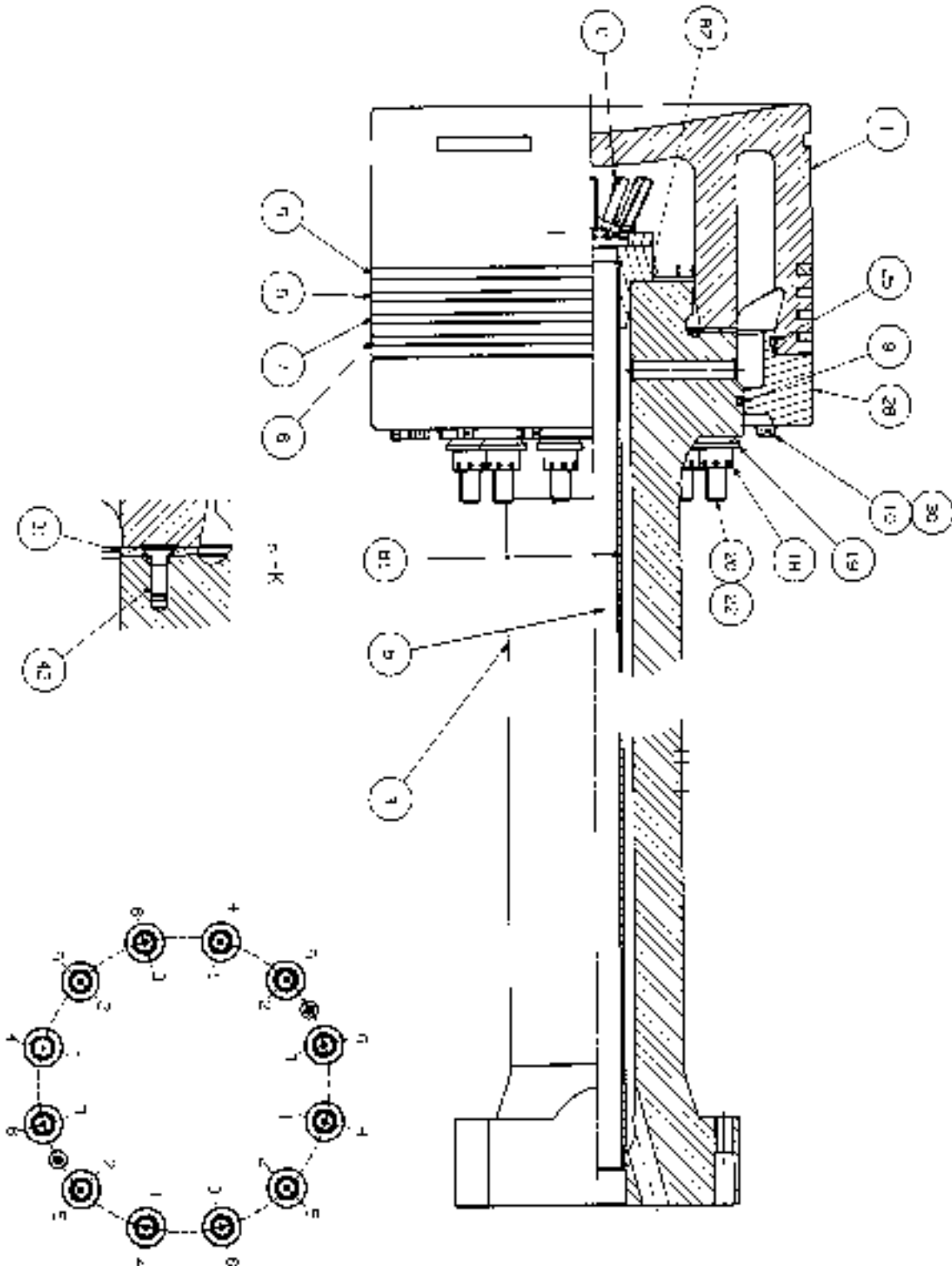


1 & 2 under piston rod type 2

SHEET NO. 311B

SHIM

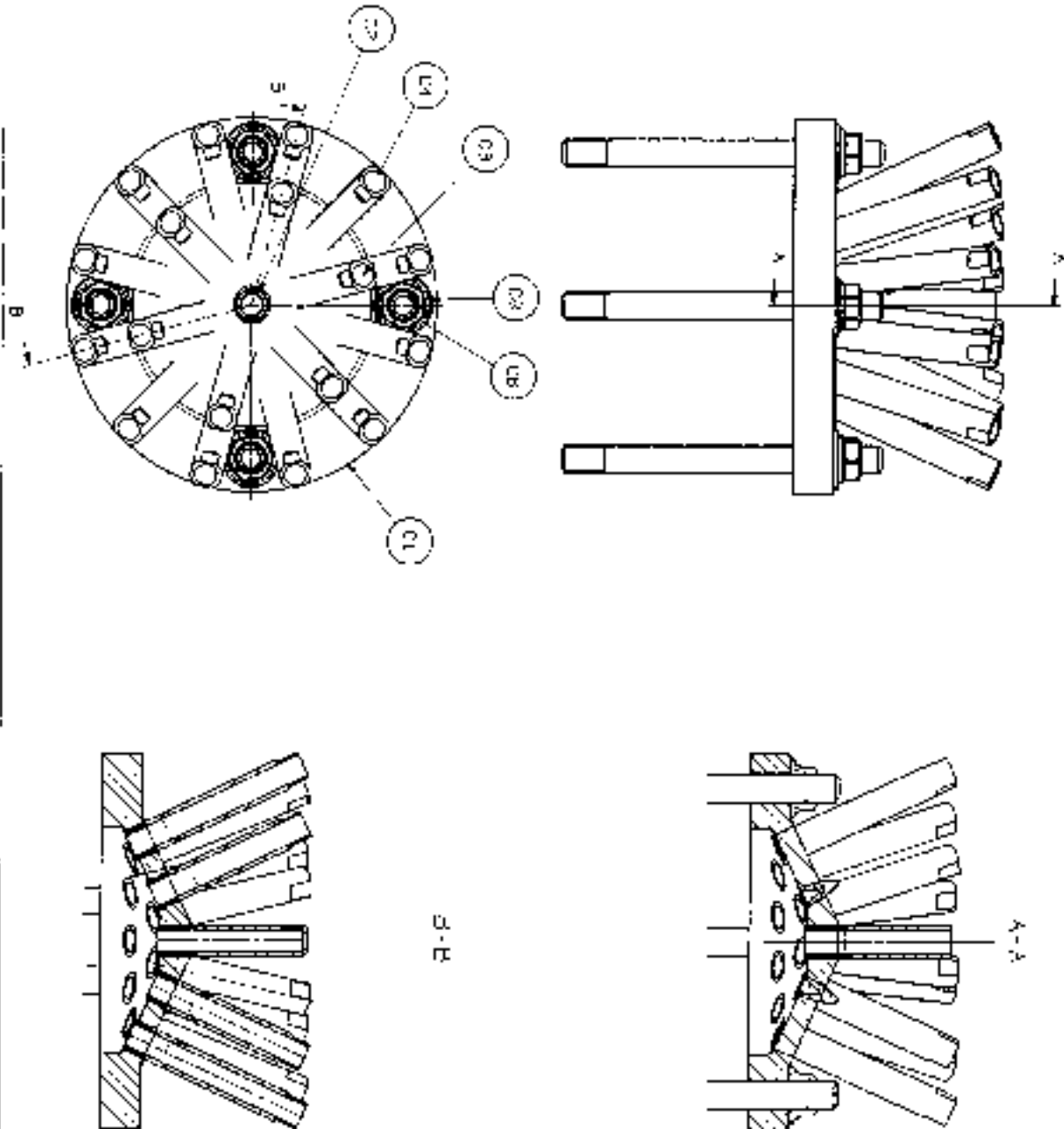
REG NO.	PART NAME
1	SHIM
2	GASKET
3	SCREW



SHEET NO 332B

PISTON & ROD

REG NO.	PART NAME
B	PIPE FOR COOLING INSERT
B	FLANGE
B	2 PIPE FOR COOLING INSERT
C	COOLING INSERT
C	1 FLANGE
C	2 COOLING OIL NOZZLE
C	3 COOLING OIL NOZZLE
C	4 COOLING OIL NOZZLE
C	5 SCREW
C	6 NUT
	1 PISTON CROWN
	2 PISTON ROD
	3 PISTON RING
	4 PISTON RING
	5 PISTON RING
	6 PISTON RING
	7 PISTON RING
	8 PISTON RING
	9 D-RING
	10 SCREW
	11 NUT
	12 DISC SPECIAL
	13 SPECIAL STUDS
	14 SEALING RING
	15 D-RING
	16 PISTON SKIRT
	17 WIRE
	18 INTERMEDIATE DISC
	19 SCREW



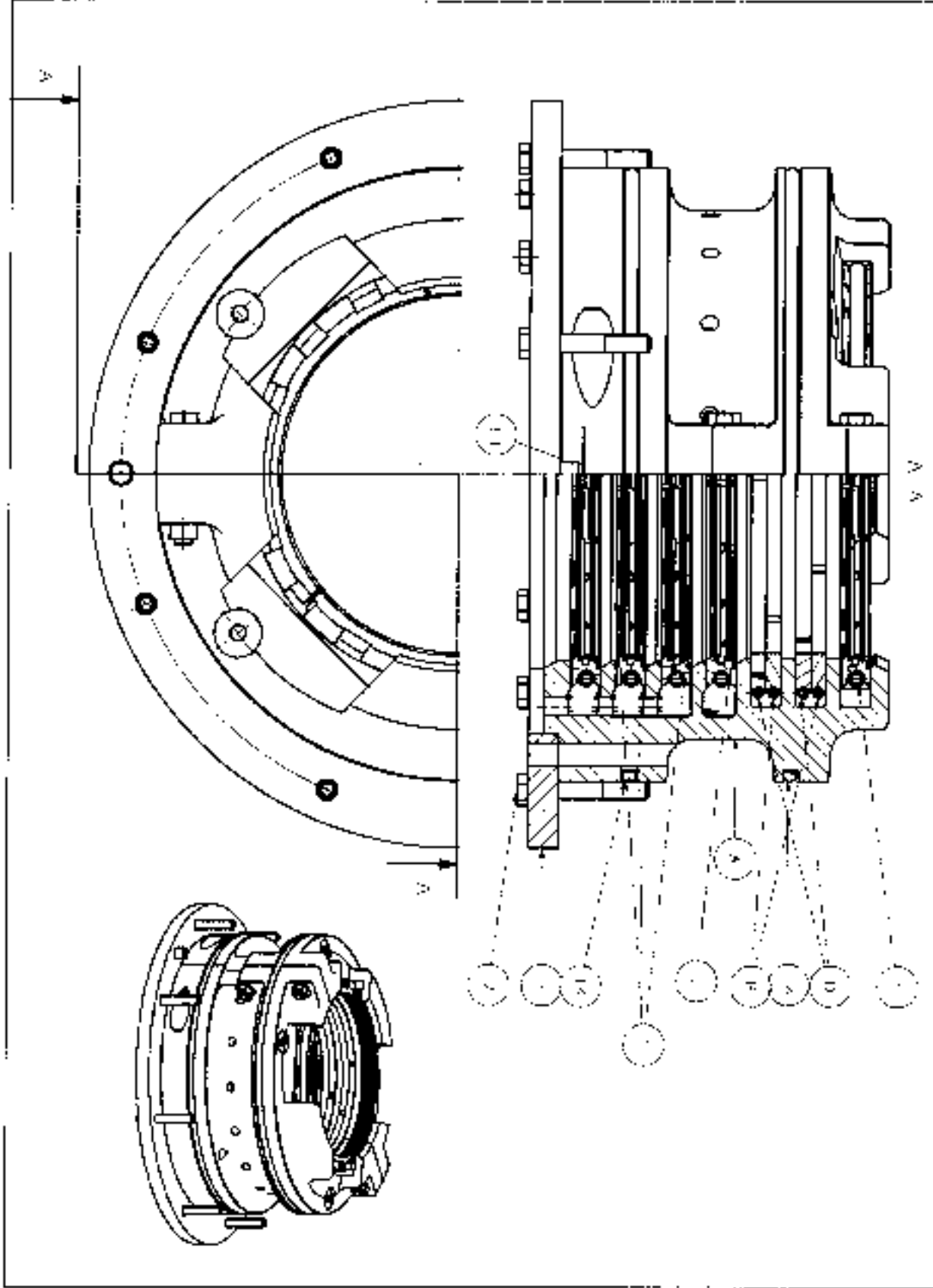
SHEET NO. 232B

PISTON & ROD

REG NO.	PART NAME
B	PIPE FOR COOLING INSERT
B 1	FLANGE
B 2	PIPE FOR COOLING INSERT
C	COOLING INSERT
C 1	FLANGE
C 2	COOLING OIL NOZZLE
C 3	COOLING OIL NOZZLE
C 4	COOLING OIL NOZZLE
C 6	SCREW
C 8	NUT
1	PISTON CROWN
3	PISTON ROD
5	PISTON RING
6	PISTON RING
7	PISTON RING
8	PISTON RING
9	D-RING
10	SCREW
18	NUT
19	DISC SPECIAL
20	SPECIAL STUDS
22	SEALING RING
25	D-RING
28	PISTON SKIRT
30	WHL
31	INTERMEDIATE DISC
42	SCREW



SHEET NO. 5320 STUFFING BOX



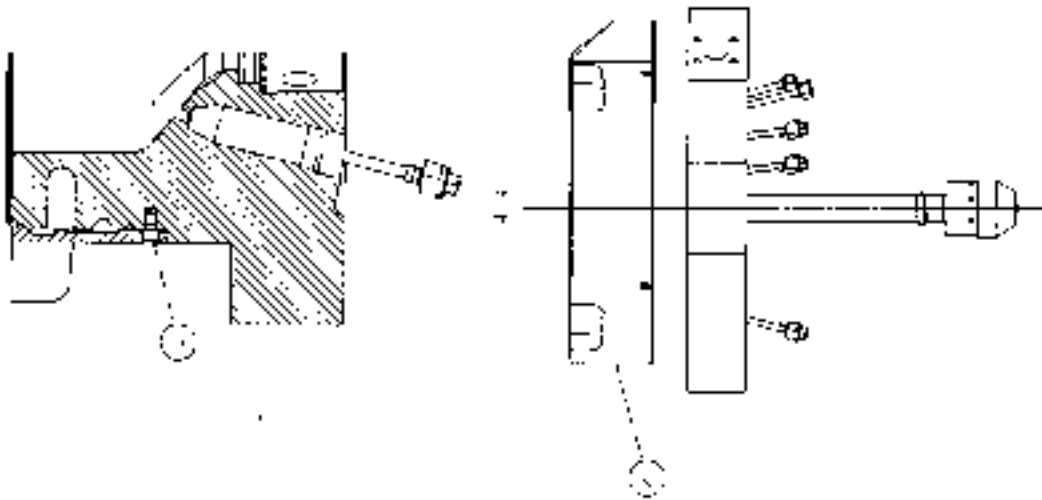
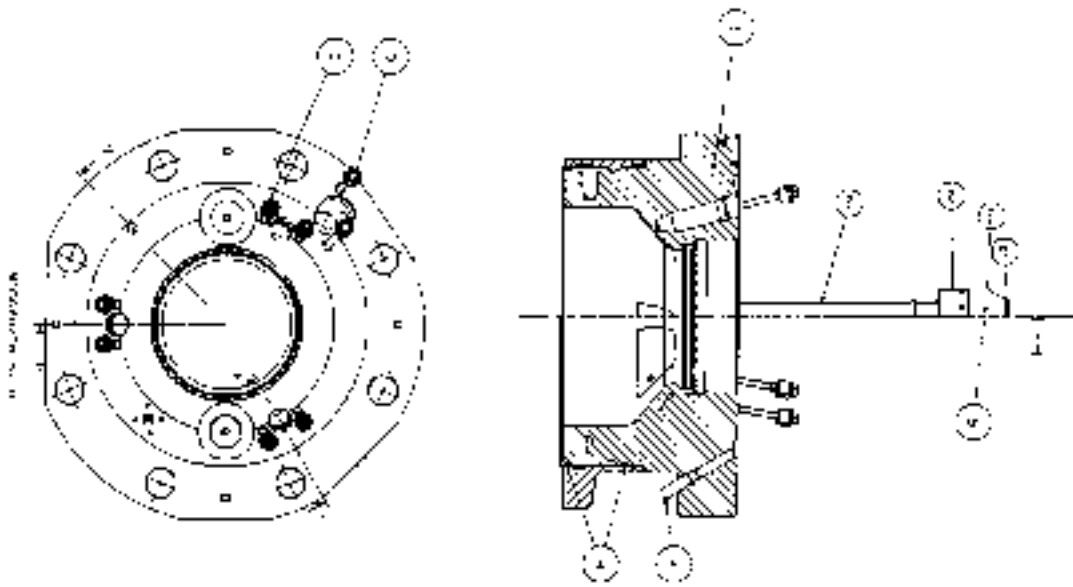
STUFFING BOX

REG NO	PART NAME
A	HOUSING STUFFING BOX
D	SEALING RING COMPLETE
F	SEALING RING COMPLETE
F	SCRAPER RING
I	SCRAPER RING
2	FLANGE
L 7	SCHLW
13	PIN
14	O RING



6H-81 NC.341A CYLINDER COVER

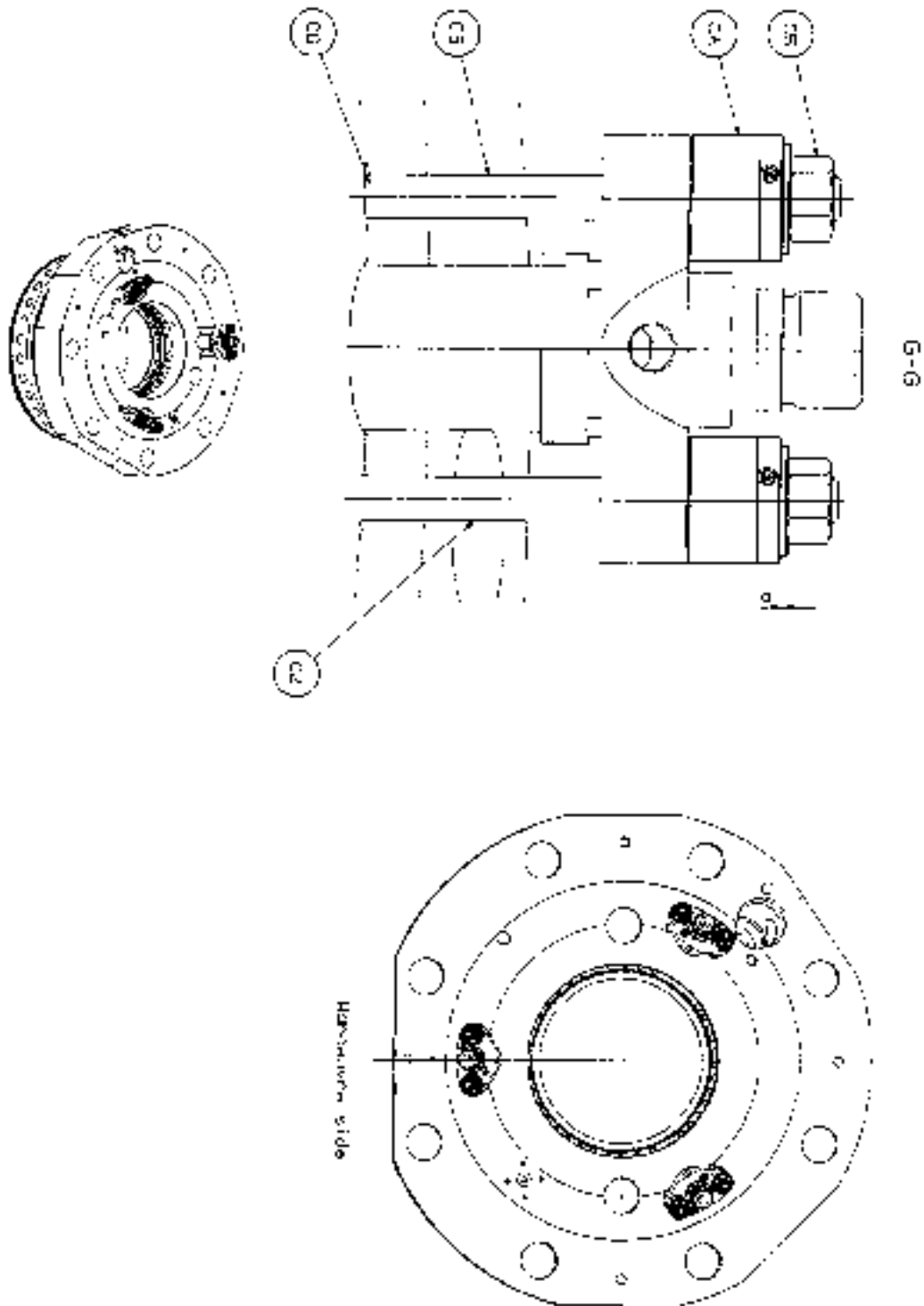
1/1



SHEET NO 341A

CYLINDER COVER

REG NO	PART NAME
B	STUDS EXHAUST VALVE COMPLETE
B 1	STUDS EXHAUST VALVE
B 2	NUT
B 3	PROTECTIVE COVER
B 4	SCREW
C	STUD FUEL VALVE
C A	SPRING HOUSING COMPLETE
C 2	STUD FUEL VALVE
C 3	STUD FUEL VALVE
C 5	NUT
C 6	SEALANT
C 7	STUD FUEL VALVE
C 8	STUD FUEL VALVE
C 5	NUT
D	STUD STARTING VALVE
1	CYLINDER COVER
4	DRAIN PIPE
5	SCREW
9	O-RING
12	COOLING JACKET

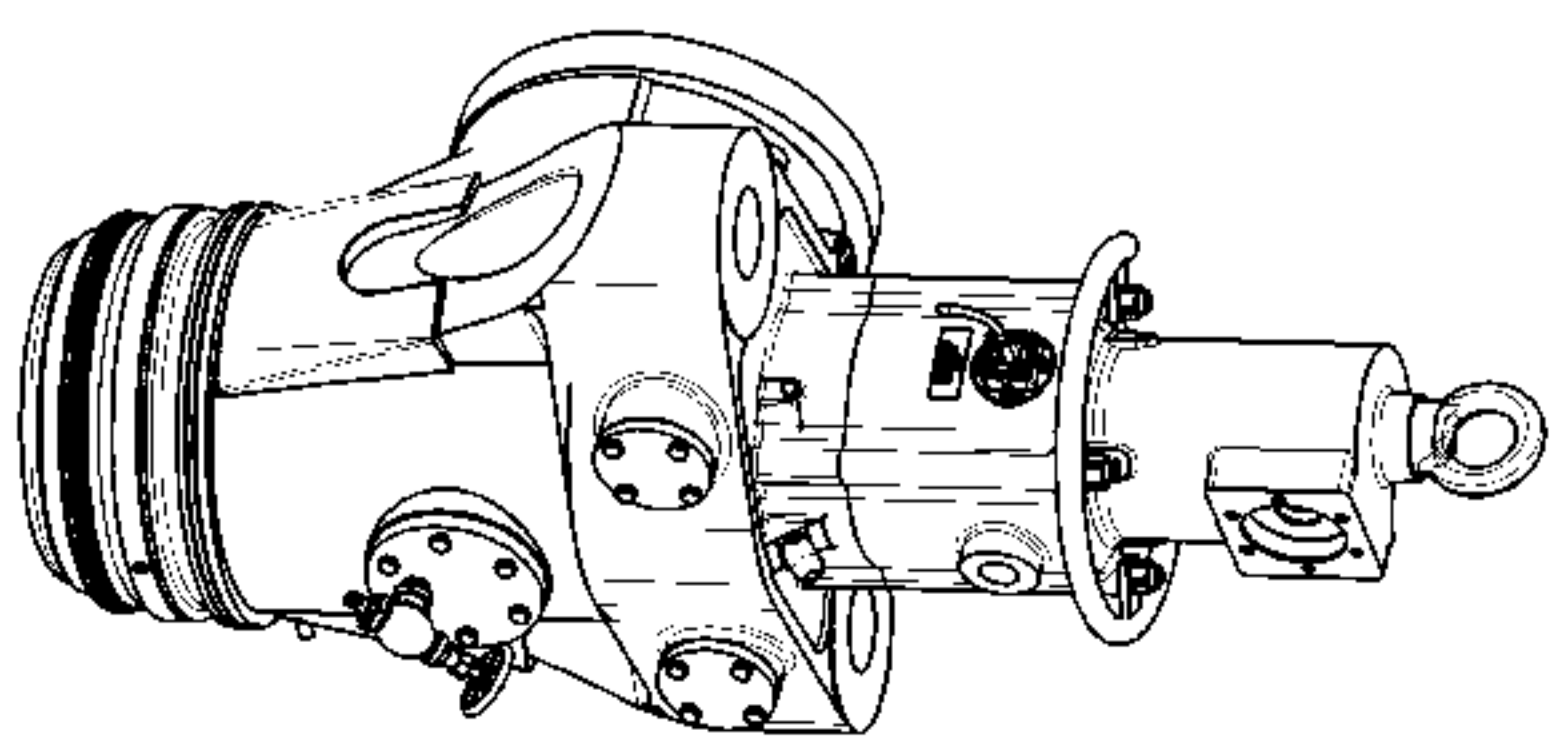
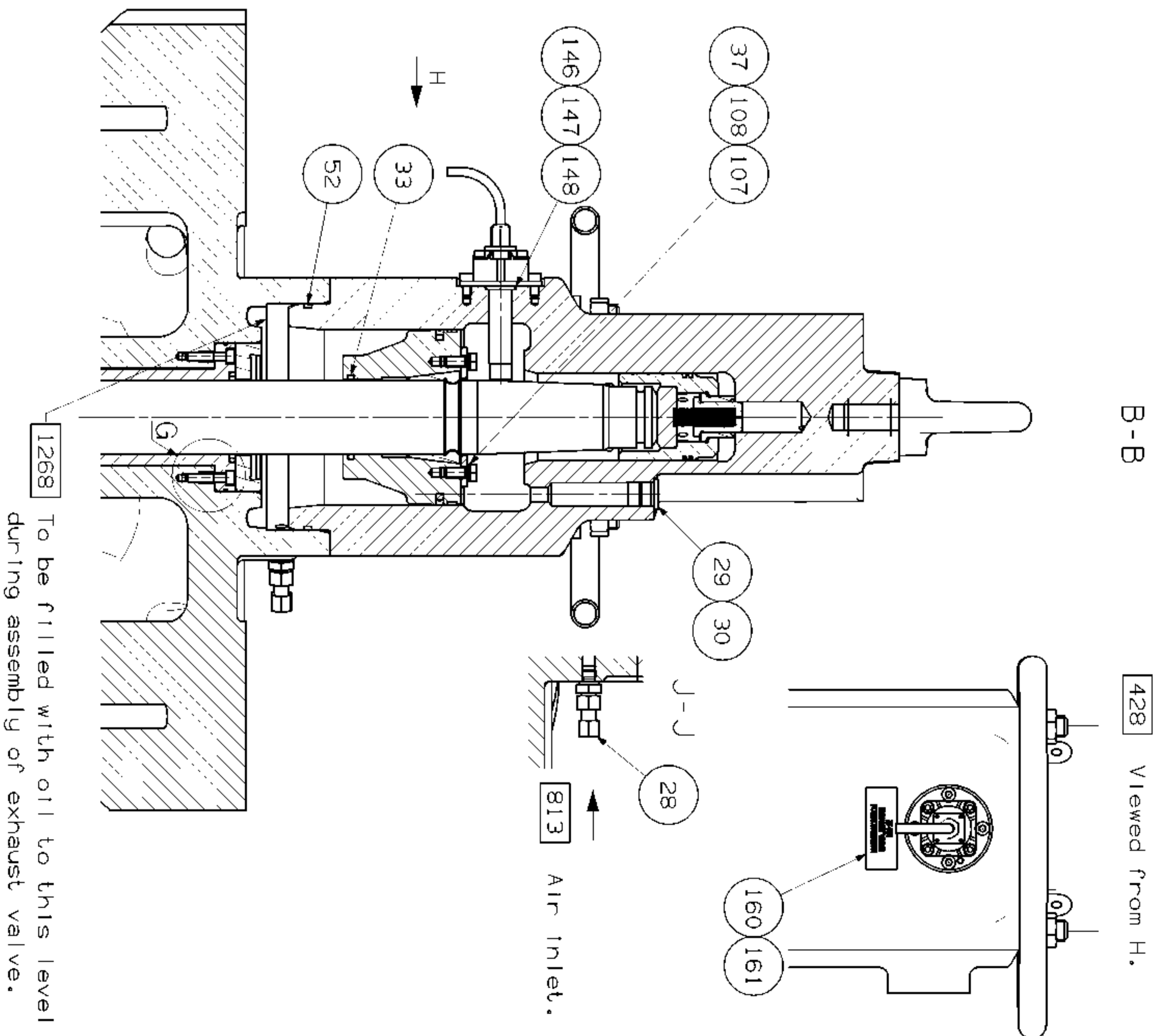
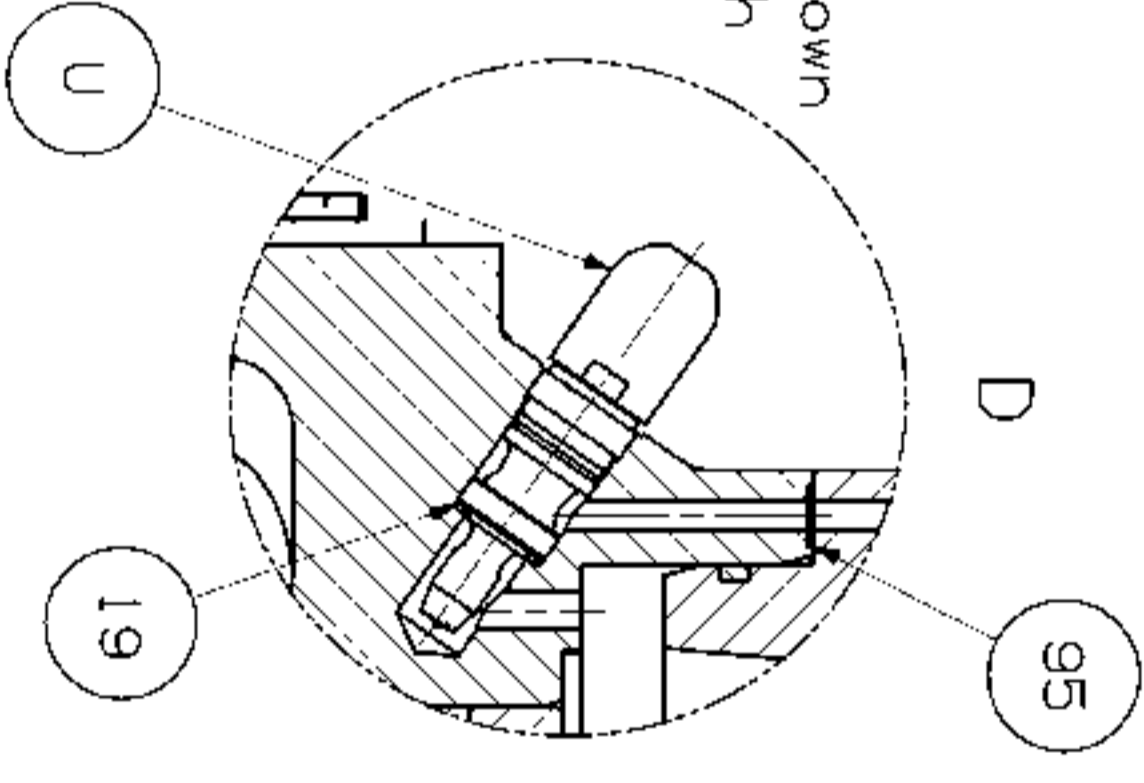
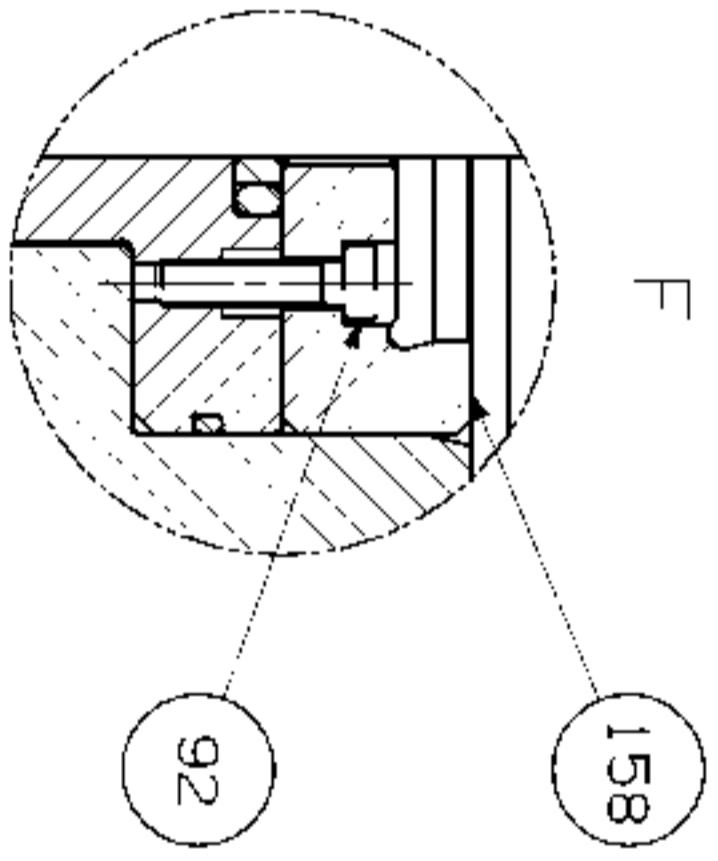
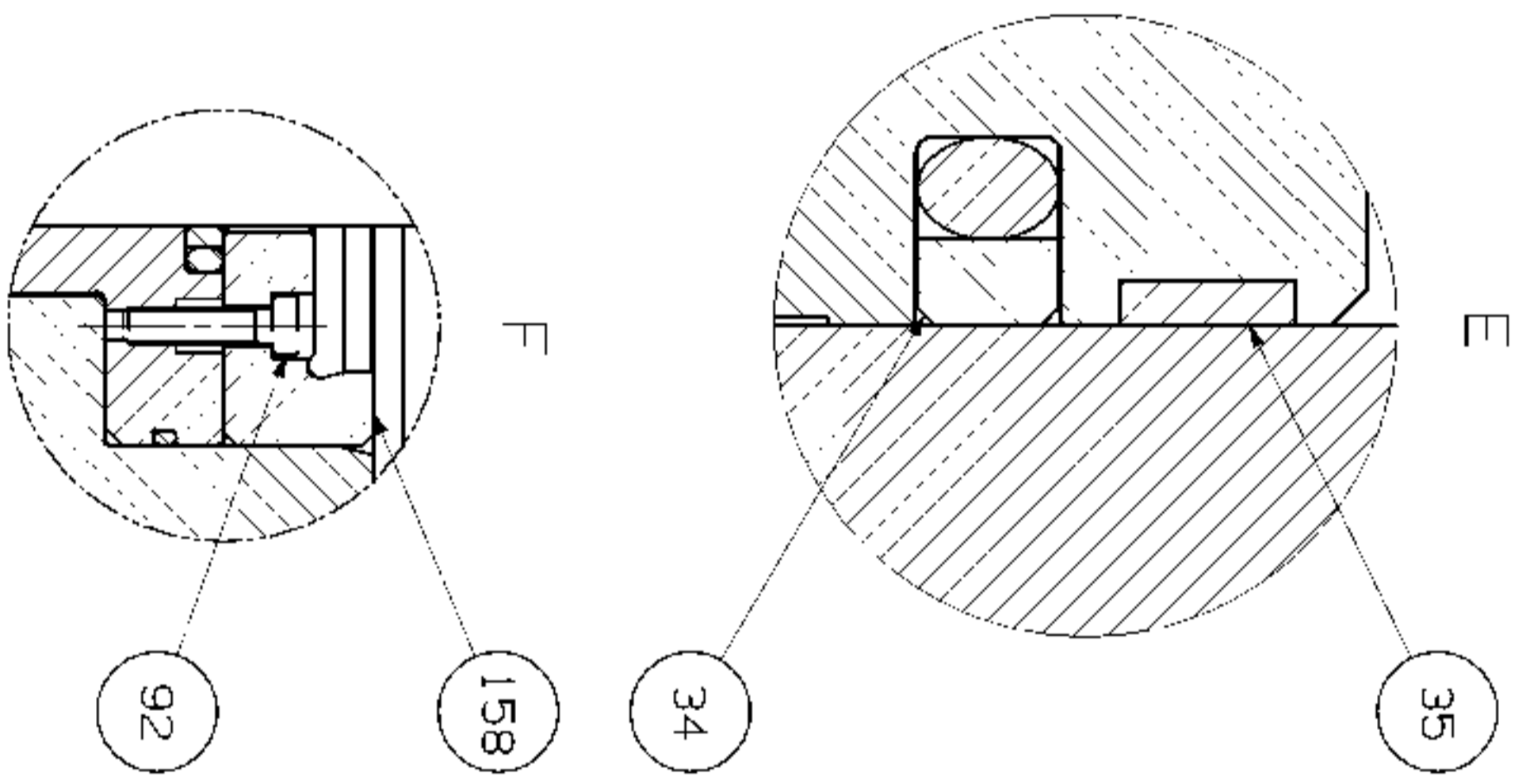
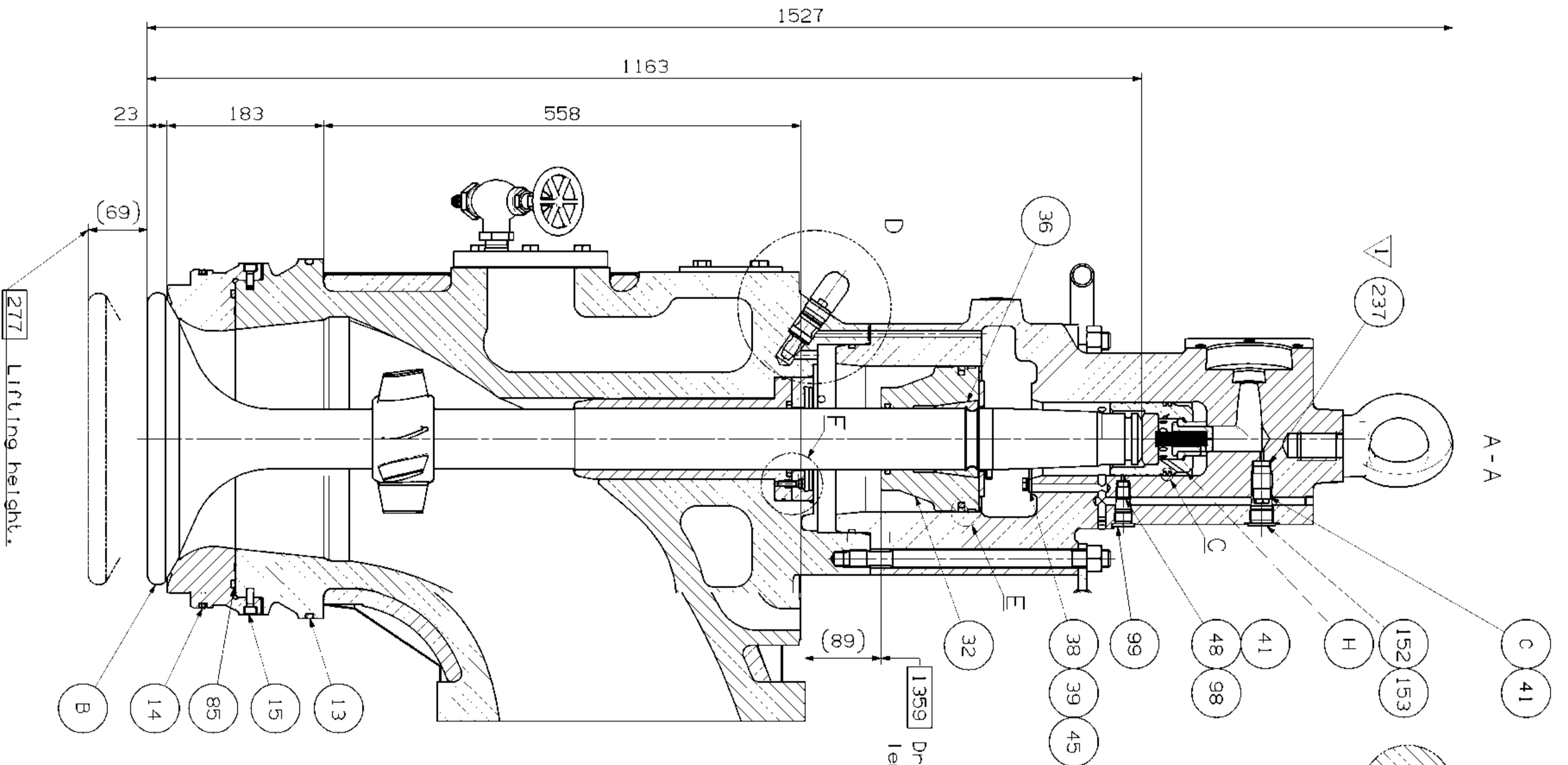
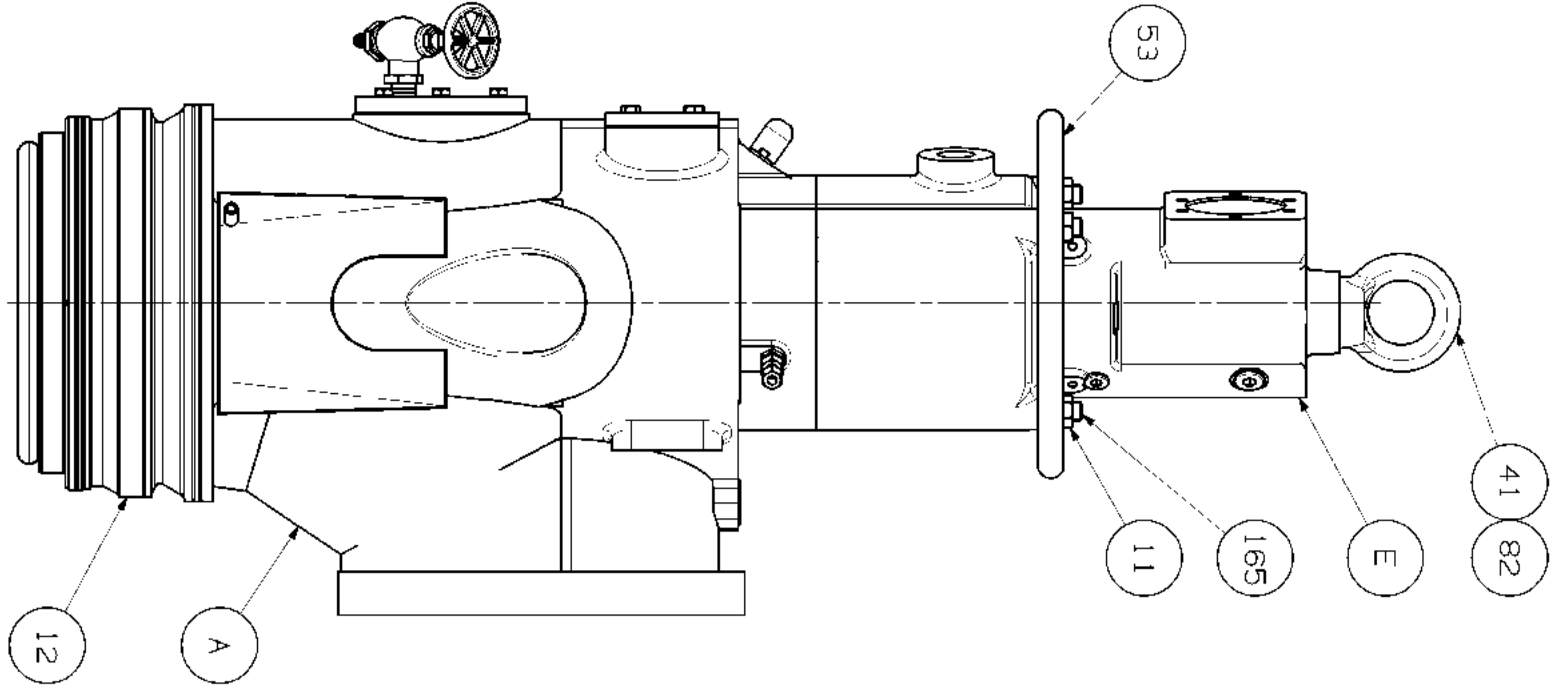
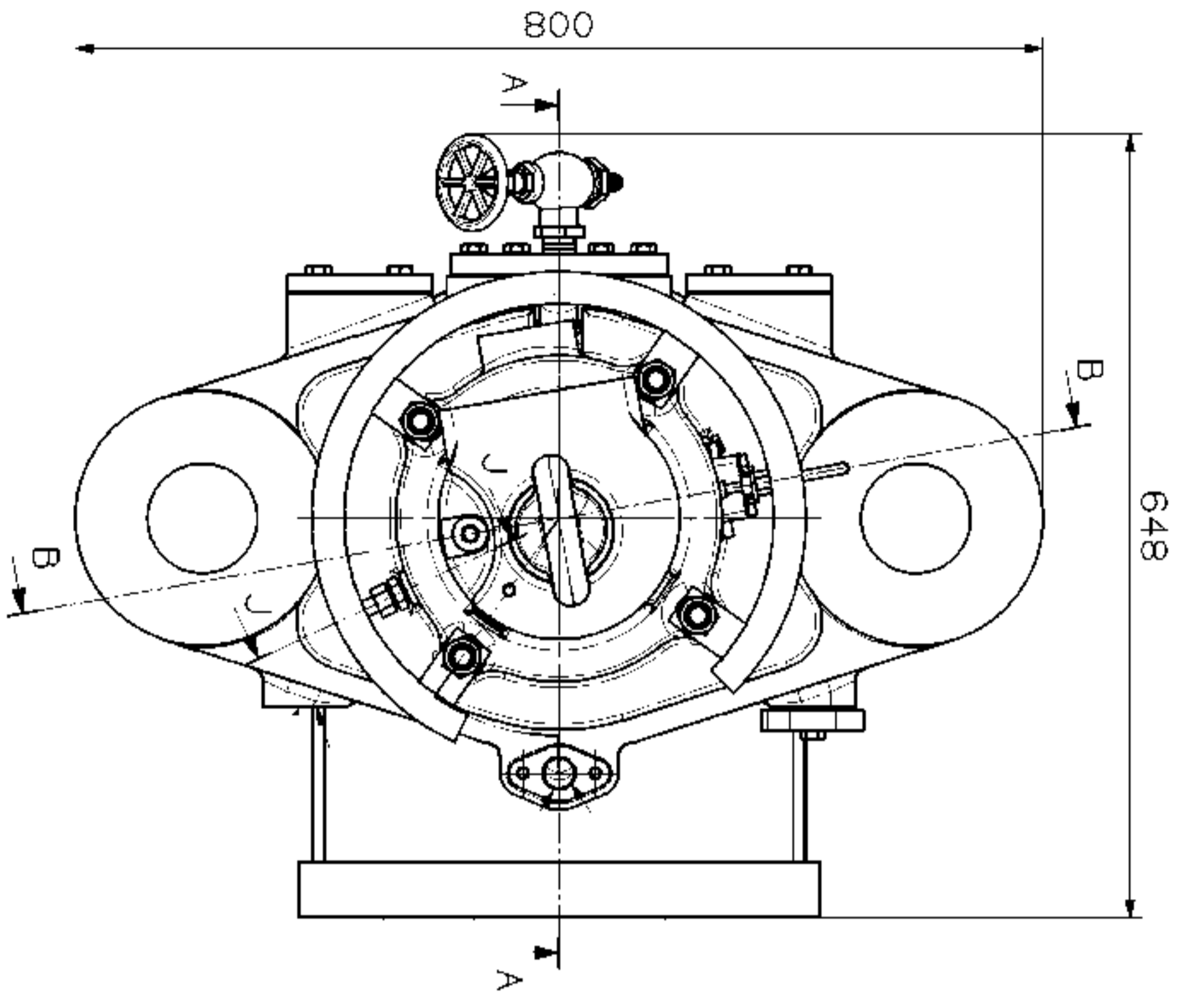


SHEET NO 341A

CYLINDER COVER

REG NO	PART NAME
B	STUDS EXHAUST CALVE COMPLETE
B	STUDS EXHAUST CALVE
B 2	NUT
B 3	PROTECTIVE COVER
B 4	SCREW
C	STUD FUEL VALVE
C 4	SPRING HOUSING COMPLETE
C 2	STUD FUEL VALVE
C 3	STUD FUEL VALVE
C 5	NUT
C 3	SEALANT
C 2	STUD FUEL VALVE
C 5	STUD FUEL VALVE
C 5	NUT
D	STUD STARTING VALVE
	CYLINDER COVER
4	DRAIN PIPE
5	SCREW
9	O-RING
12	COOLING JACKET

SHEET NO. 343A EXHAUST VALVE



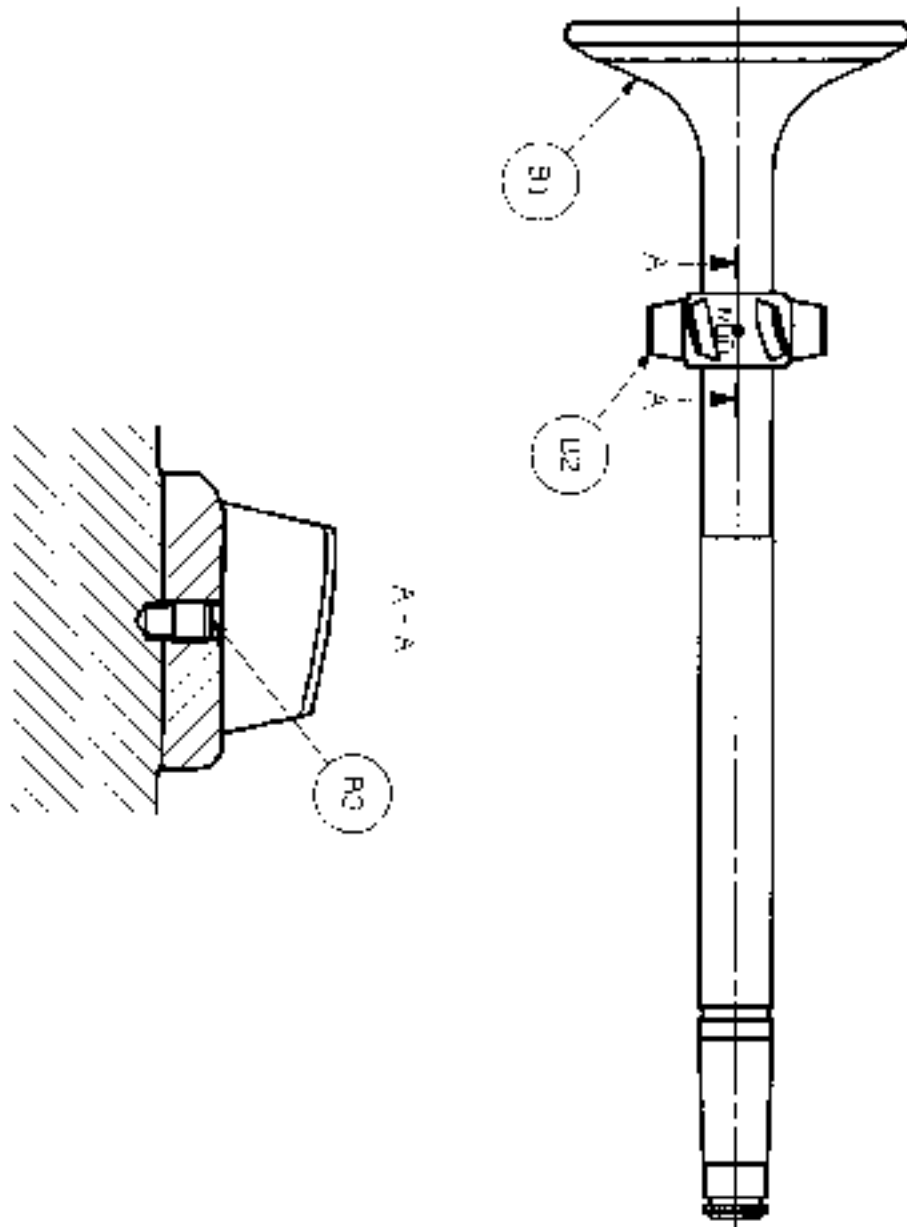
B-B Viewed from H.

EXHAUST VALVE

REG NO	PART NAME	REG NO	PART NAME
A	HOUSING EXHAUST VALVE COMPLETE	H 4	DISC
A 1	EXHAUST VALVE HOUSING	H 5	DISC
A 2	THREAD INSERT	U	SAFETY VALVE
A 6	THREAD INSERT	2	SPINDLE GUIDE-LOWER
A 8	GASKET	11	NUT
A 14	FLANGE	12	BOTTOM PIECE
A 19	SCREW	13	O-RING
A 23	SCREW	14	O-RING
A 29	FLANGE	15	SCREW
A 30	SCREW	19	PACKING-ROUND
A 31	GASKET	21	SEALING RING
A 39	DISC	22	SEALING RING
A 40	COVER	24	SCREW
A 41	SCREW	28	NON-RETURN VALVE
A 53	PLUG SCREW	29	GASKET
A 54	GASKET	30	PLUG SCREW
A 62	ANGLE PROFILE	32	PISTON AIR CYLINDER
A 64	INSULATION EXH.V HOUSING	33	O-RING
A 65	INSULATION EXH.V HOUSING	34	SEALING RING
A 66	ANGLE PROFILE	35	GUIDE RING FOR PISTON
A 67	INSULATION EXH.V HOUSING	36	CONE PIECE
A 68	INSULATION EXH.V HOUSING	37	SEALING RING
A 69	INSULATION EXH.V HOUSING	38	FITTED SHIM
A 76	PIPE BRANCH	39	SCREW
A 77	GLUE	41	GLUE
A 86	INSULATION EXH.V HOUSING	44	PISTON RING
A 93	INSULATION EXH.V HOUSING	45	DISC-EDGED WITH HOLE
A 94	INSULATION EXH.V HOUSING	48	DISC
A 95	INSULATION EXH.V HOUSING	52	O-RING
A 112	VALVE	53	SAFETY HANDRAIL
A 113	QUICK COUPLING MALE	82	HAND RING
B	EXHAUST VALVE SPINDLE COMPLETE	85	O-RING
B 1	EXHAUST VALVE SPINDLE	92	SCREW
B 2	VANE WHEEL	95	O-RING
B 3	SCREW	98	ORIFICE PLUG, OUTSIDE THREAD
C	THROTTLE VALVE	99	PLUG SCREW
C 11	VALVE SCREW	107	GASKET
C 12	SPRING	108	SCREW
C 13	SPINDLE	146	INDUCTIVE SENSOR
C 14	ORIFICE PLUG, EXT. THREAD	147	SCREW
C 15	GLUE	148	SEALING RING
E	EXHAUST VALVE OIL CYLINDER COMPLETE	152	PACKING RING
E 1	EXHAUST VALVE OIL CYLINDER	153	PLUG SCREW
E 2	PLUG SCREW	158	OIL CYLINDER FLANGE
E 3	GLUE	160	NAME PLATE
E 4	CYLINDRICAL PIN	161	BOLT
H	PISTON ACTUATOR COMPLETE	165	STUD, THREAD BOTH END
H 1	PISTON ACTUATOR	237	DISC
H 2	SPRING		
H 3	PISTON		



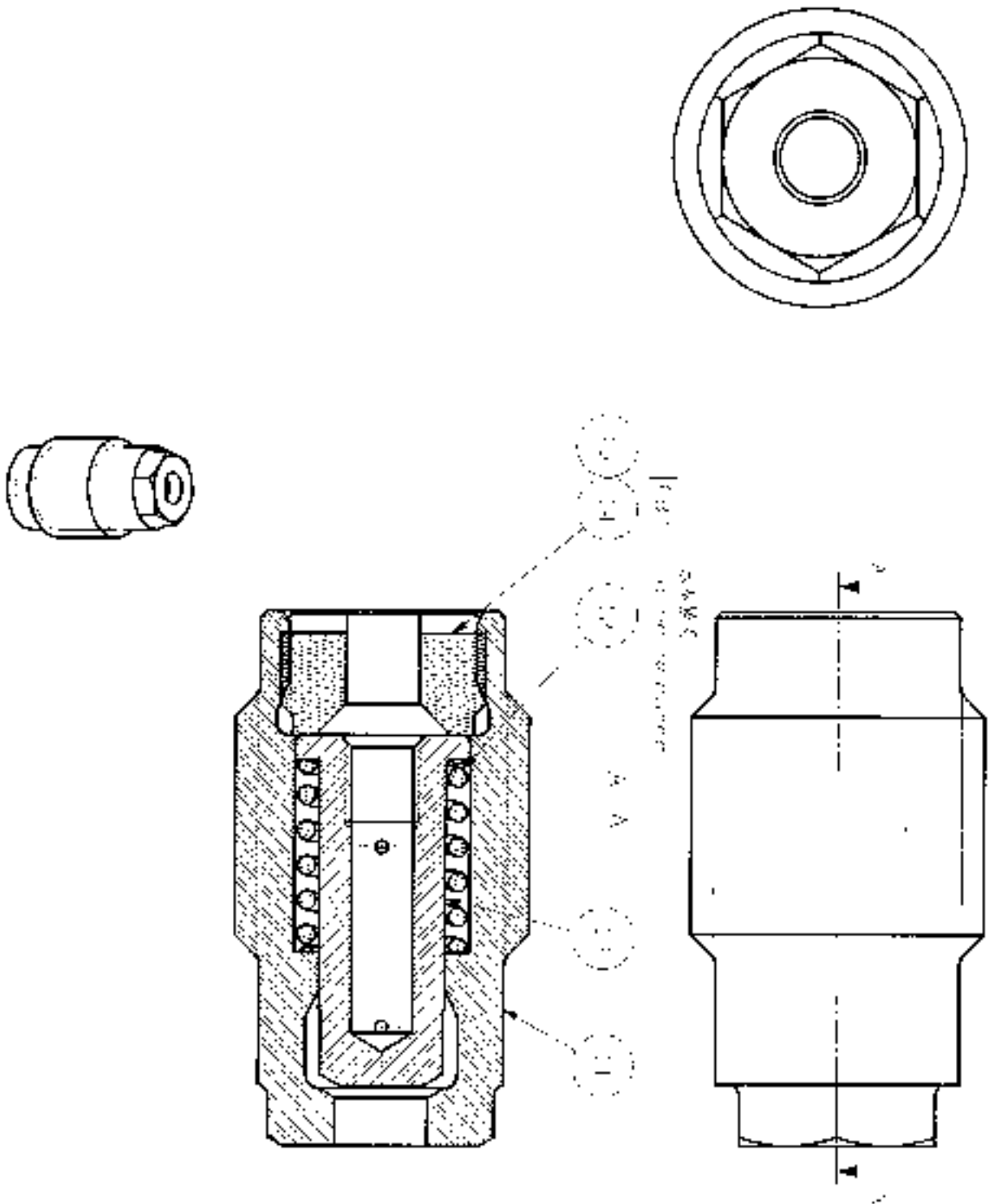
SHFF - NO.343A EXHAUST VALVE



EXHAUST VALVE

REG NO.	PART NAME	REG NO	PART NAME
A	HOUSING EXHAUST VALVE COMPLETE	H 4	DISC
A	EXHAUST VALVE HOUSING	H 6	DISC
A 2	THREAD INSERT	U	SAFETY VALVE
A 6	THREAD INSERT	2	SPINDLE GUIDE-LOWER
A 8	GASKET	11	NUT
A 14	FLANGE	12	BOTTOM PIECE
A 19	SCREW	13	O-RING
A 23	SCREW	14	O-RING
A 29	FLANGE	15	SCREW
A 30	SCREW	19	PACKING-ROUND
A 31	GASKET	21	SEALING RING
A 39	DISC	22	SEALING RING
A 40	COVER	24	SCREW
A 41	SCREW	26	NON-RETURN VALVE
A 53	PLUG SCREW	29	GASKET
A 54	GASKET	30	PLUG SCREW
A 62	ANGLE PROFILE	32	PISTON AIR CYLINDER
A 64	INSULATION EXH.V.HOUSING	33	O-RING
A 65	INSULATION EXH.V.HOUSING	34	SEALING RING
A 66	ANGLE PROFILE	35	GUIDE RING FOR PISTON
A 67	INSULATION EXH.V.HOUSING	36	CONE PIECE
A 68	INSULATION EXH.V.HOUSING	37	SEALING RING
A 69	INSULATION EXH.V.HOUSING	38	FITTED SHIM
A 76	PIPE BRANCH	39	SCREW
A 77	GLUE	41	GLUE
A 86	INSULATION EXH.V.HOUSING	44	PISTON RING
A 93	INSULATION EXH.V.HOUSING	45	DISC-EDGED WITH HOLE
A 94	INSULATION EXH.V.HOUSING	48	DISC
A 95	INSULATION EXH.V.HOUSING	52	O-RING
A 112	VALVE	53	SAFETY HANDRAIL
A 113	QUICK COUPLING,MALE	62	HAND RING
B	EXHAUST VALVE SPINDLE COMPLETE	65	O-RING
B 1	EXHAUST VALVE SPINDLE	92	SCREW
B 2	VANE WHEEL	95	O-RING
B 3	SCREW	98	ORIFICE PLUG,OUTSIDE THREAD
C	THROTTLE VALVE	99	PLUG SCREW
C 11	VALVE SCREW	107	GASKET
C 12	SPRING	108	SCREW
C 13	SPINDLE	146	INDUCTIVE SENSOR
C 14	ORIFICE PLUG,EXT.THREAD	147	SCREW
C 15	GLUE	148	SEALING RING
E	EXHAUST VALVE OIL CYLINDER COMPLETE	152	PACKING RING
E 1	EXHAUST VALVE OIL CYLINDER	153	PLUG SCREW
E 2	PLUG SCREW	158	OIL CYLINDER FLANGE
E 3	GLUE	160	NAME PLATE
E 4	CYLINDRICAL PIN	161	BOLT
H	PISTON ACTJATOR COMPLETE	165	STUD THREAD BOTH END
H 1	PISTON ACTJATOR	237	DISC
H 2	SPRING		
H 3	PISTON		

SHEET NO. 343AC THROTTLE VALVE

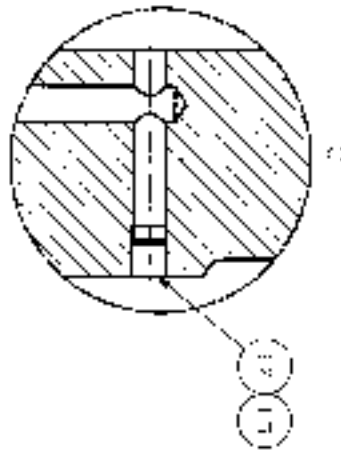
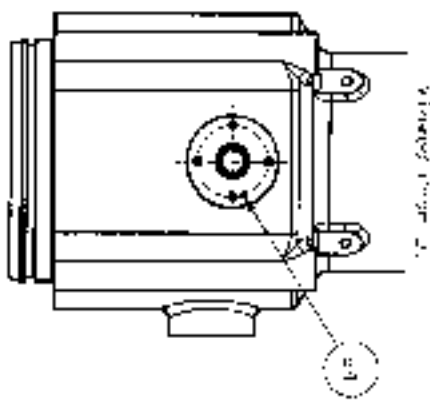
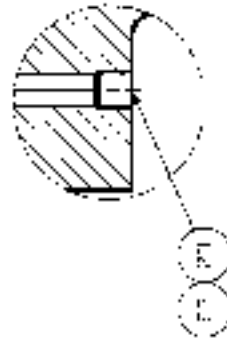
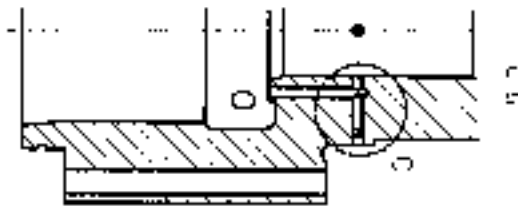
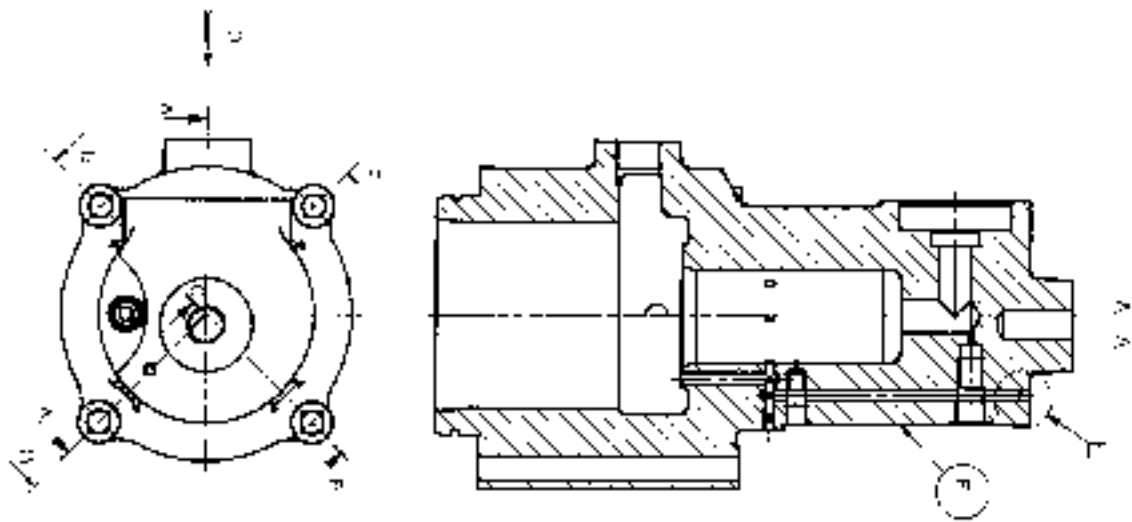


EXHAUST VALVE

REG NO	PART NAME	REG NO.	PART NAME
A	HOUSING EXHAUST VALVE COMPLETE	H 4	DISC
A 1	EXHAUST VALVE HOUSING	H 6	DISC
A 2	THREAD INSERT	U	SAFETY VALVE
A 3	THREAD INSERT	2	SPINDLE GUIDE-LOWER
A 8	GASKET	11	NUT
A 14	FLANGE	12	BOTTOM PIECE
A 19	SCREW	13	O-RING
A 23	SCREW	14	O-RING
A 29	FLANGE	15	SCREW
A 30	SCREW	19	PACKING-ROUND
A 31	GASKET	21	SEALING RING
A 39	DISC	22	SEALING RING
A 40	COVER	24	SCREW
A 41	SCREW	28	NON-RETURN VALVE
A 53	PLUG SCREW	29	GASKET
A 54	GASKET	30	PLUG SCREW
A 62	ANGLE PROFILE	32	PISTON AIR CYLINDER
A 64	INSULATION EXH V HOUSING	33	O-RING
A 65	INSULATION EXH.V.HOUSING	34	SEALING RING
A 66	ANGLE PROFILE	35	GUIDE RING FOR PISTON
A 67	INSULATION EXH.V.HOUSING	38	CONE PIECE
A 68	INSULATION EXH.V.HOUSING	37	SEALING RING
A 69	INSULATION EXH V HOUSING	38	FITTED SHIM
A 76	PIPE BRANCH	39	SCREW
A 77	GLUE	41	GLUE
A 86	INSULATION EXH V HOUSING	44	PISTON RING
A 93	INSULATION EXH V HOUSING	45	DISC-EDGED WITH HOLE
A 94	INSULATION EXH V HOUSING	48	DISC
A 95	INSULATION EXH.V.HOUSING	52	O-RING
A 112	VALVE	53	SAFETY HANDRAIL
A 113	QUICK COUPLING.MALE	62	HAND RING
B	EXHAUST VALVE SPINDLE COMPLETE	65	O-RING
B 1	EXHAUST VALVE SPINDLE	92	SCREW
B 2	VANE WHEEL	95	O-RING
B 3	SCREW	98	ORIFICE PLUG.OUTSIDE THREAD
C	THROTTLE VALVE	99	PLUG SCREW
C 1	VALVE SCREW	107	GASKET
C 12	SPRING	108	SCREW
C 13	SPINDLE	148	INDUCTIVE SENSOR
C 14	ORIFICE PLUG,EXT.THREAD	147	SCREW
C 15	GLUE	148	SEALING RING
E	EXHAUST VALVE OIL CYLINDER COMPLETE	152	PACKING RING
E 1	EXHAUST VALVE OIL CYLINDER	153	PLUG SCREW
E 2	PLUG SCREW	158	OIL CYLINDER FLANGE
E 3	GLUE	160	NAME PLATE
E 4	CYLINDRICAL PIN	161	BOLT
H	PISTON ACTUATOR COMPLETE	165	STUD.THREAD BOTH END
H 1	PISTON ACTUATOR	237	DISC
H 2	SPRING		
H 3	PISTON		



SHEET NO. 243A EXHAUSE VALVE

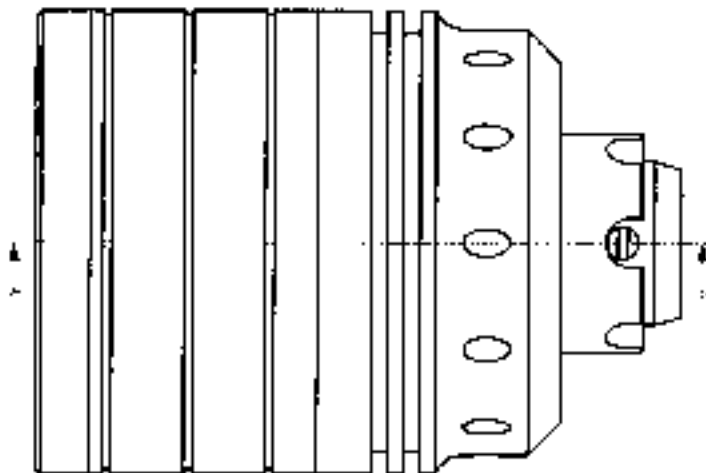
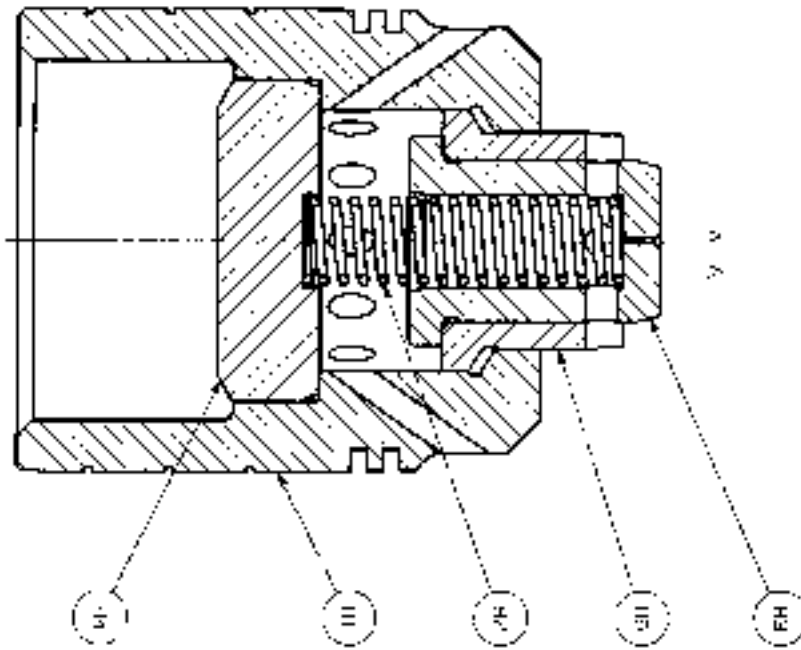


EXHAUST VALVE

REG NO.	PART NAME	REG NO.	PART NAME
A	HOUSING EXHAUST VALVE COMPLETE	H 4	DISC
A 1	EXHAUST VALVE HOUSING	H 6	DISC
A 2	THREAD INSERT	U	SAFETY VALVE
A 6	THREAD INSERT	2	SPINDLE GUIDE-LOWER
A 8	GASKET	11	NUT
A 14	FLANGE	12	BOTTOM PIECE
A 19	SCREW	13	O-RING
A 23	SCREW	14	O-RING
A 28	FLANGE	15	SCREW
A 30	SCREW	19	PACKING-ROUND
A 31	GASKET	21	SEALING RING
A 39	DISC	22	SEALING RING
A 40	COVER	24	SCREW
A 41	SCREW	28	NON-RETURN VALVE
A 53	PLUG SCREW	29	GASKET
A 54	GASKET	30	PLUG SCREW
A 62	ANGLE PROFILE	32	PISTON AIR CYLINDER
A 64	INSULATION EXH.V.HOUSING	33	O-RING
A 65	INSULATION EXH.V.HOUSING	34	SEALING RING
A 66	ANGLE PROFILE	35	GUIDE RING FOR PISTON
A 67	INSULATION EXH.V.HOUSING	36	CONE PIECE
A 68	INSULATION EXH.V.HOUSING	37	SEALING RING
A 69	INSULATION EXH.V.HOUSING	38	FITTED SHIM
A 76	PIPE BRANCH	39	SCREW
A 77	GLUE	41	GLUE
A 86	INSULATION EXH.V.HOUSING	44	PISTON RING
A 93	INSULATION EXH.V.HOUSING	45	DISC-EDGED WITH HOLE
A 94	INSULATION EXH.V.HOUSING	48	DISC
A 95	INSULATION EXH.V.HOUSING	52	O-RING
A 112	VALVE	53	SAFETY HANDRAIL
A 113	QUICK COUPLING,MALE	62	HAND RING
B	EXHAUST VALVE SPINDLE COMPLETE	85	O-RING
B 1	EXHAUST VALVE SPINDLE	92	SCREW
B 2	VANE WHEEL	95	O-RING
B 3	SCREW	98	ORIFICE PLUG,OUTSIDE THREAD
C	THROTTLE VALVE	99	PLUG SCREW
C 11	VALVE SCREW	107	GASKET
C 12	SPRING	108	SCREW
C 13	SPINDLE	146	INDUCTIVE SENSOR
C 14	ORIFICE PLUG,EXT.THREAD	147	SCREW
C 15	GLUE	148	SEALING RING
E	EXHAUST VALVE OIL CYLINDER COMPLETE	152	PACKING RING
E 1	EXHAUST VALVE OIL CYLINDER	153	PLUG SCREW
E 2	PLUG SCREW	158	OIL CYLINDER FLANGE
E 3	GLUE	160	NAME PLATE
E 4	CYLINDRICAL PIN	161	BOLT
H	PISTON ACTUATOR COMPLETE	165	STUD,THREAD BOTH END
H 1	PISTON ACTUATOR	237	DISC
H 2	SPRING		
H 3	PISTON		



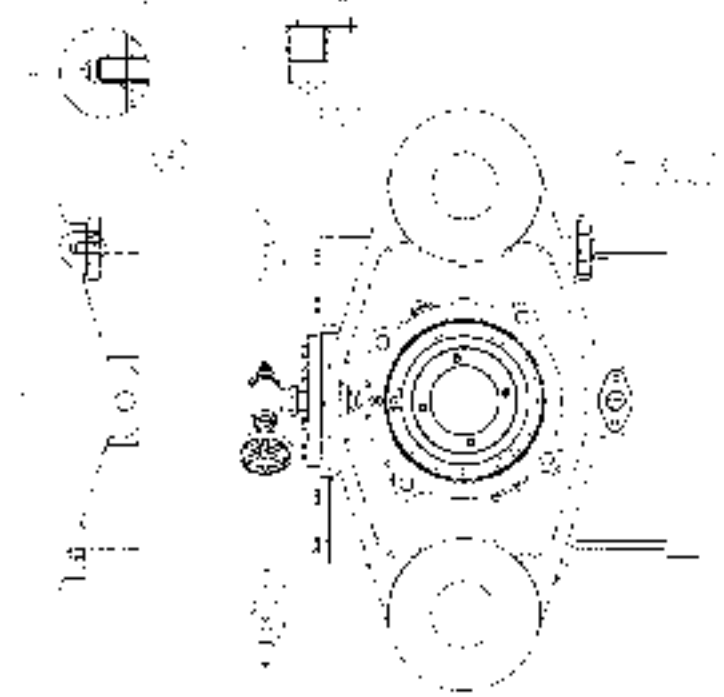
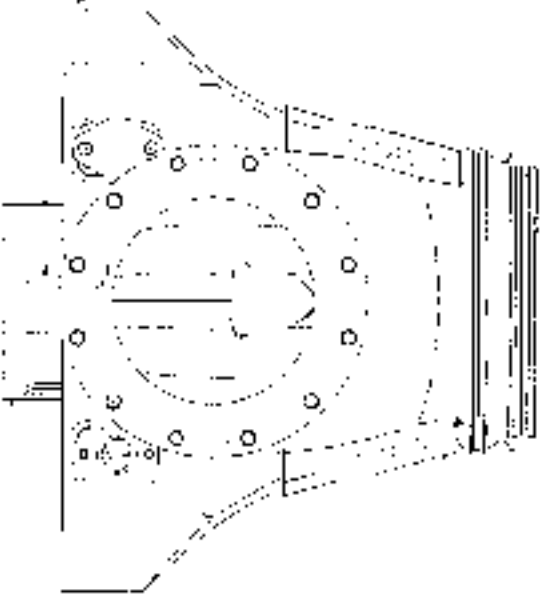
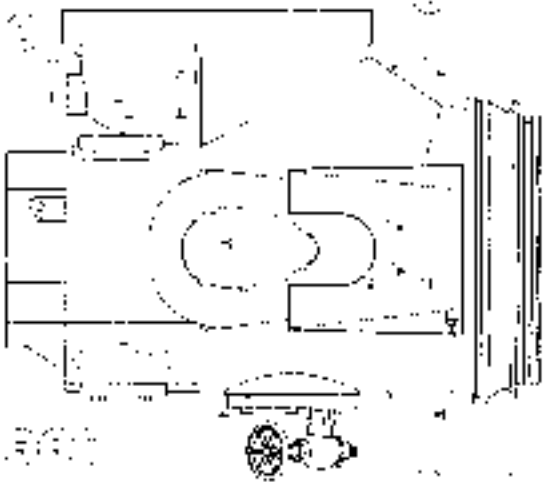
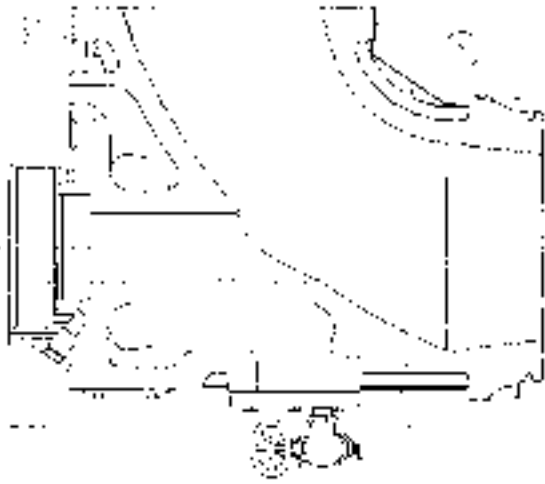
SH-PT NO. 343A - EXHAUST VALVE



EXHAUST VALVE

REG NO.	PART NAME	REG NO.	PART NAME
A	HOUSING EXHAUST VALVE COMPLETE	H 4	DISC
A 1	EXHAUST VALVE HOUSING	H 6	DISC
A 2	THREAD INSERT	J	SAFETY VALVE
A 6	THREAD INSERT	2	SPINDLE GUIDE-LOWER
A 8	GASKET	11	NUT
A 14	FLANGE	12	BOTTOM PIECE
A 19	SCREW	13	O-RING
A 23	SCREW	14	O-RING
A 29	FLANGE	15	SCREW
A 30	SCREW	19	PACKING-ROUND
A 31	GASKET	21	SEALING RING
A 39	DISC	22	SEALING RING
A 40	COVER	24	SCREW
A 41	SCREW	28	NON-RETURN VALVE
A 53	PLUG SCREW	29	GASKET
A 54	GASKET	30	PLUG SCREW
A 62	ANGLE PROFILE	32	PISTON AIR CYLINDER
A 64	INSULATION EXH.V.HOUSING	33	O-RING
A 65	INSULATION EXH.V.HOUSING	34	SEALING RING
A 66	ANGLE PROFILE	35	GUIDE RING FOR PISTON
A 67	INSULATION EXH.V.HOUSING	36	CONE PIECE
A 68	INSULATION EXH.V.HOUSING	37	SEALING RING
A 69	INSULATION EXH.V.HOUSING	38	FITTED SHIM
A 76	PIPE BRANCH	39	SCREW
A 77	GLUE	41	GLUE
A 86	INSULATION EXH.V.HOUSING	44	PISTON RING
A 93	INSULATION EXH.V.HOUSING	45	DISC-EDGED WITH HOLE
A 94	INSULATION EXH.V.HOUSING	48	DISC
A 95	INSULATION EXH.V.HOUSING	52	O-RING
A 112	VALVE	63	SAFETY HANDRAIL
A 113	QUICK COUPLING MALE	82	HAND RING
B	EXHAUST VALVE SPINDLE COMPLETE	85	O-RING
B 1	EXHAUST VALVE SPINDLE	92	SCREW
B 2	VANE WHEEL	95	O-RING
B 3	SCREW	98	ORIFICE PLUG.OUTSIDE THREAD
C	THROTTLE VALVE	99	PLUG SCREW
C 1	VALVE SCREW	107	GASKET
C 12	SPRING	108	SCREW
C 13	SPINDLE	146	INDUCTIVE SENSOR
C 14	ORIFICE PLUG.EXT.THREAD	147	SCREW
C 15	GLUE	148	SEALING RING
E	EXHAUST VALVE OIL CYLINDER COMPLETE	152	PACKING RING
E 1	EXHAUST VALVE OIL CYLINDER	153	PLUG SCREW
E 2	PLUG SCREW	158	OIL CYLINDER FLANGE
E 3	GLUE	160	NAME PLATE
E 4	CYLINDRICAL PIN	161	BOLT
H	PISTON ACTUATOR COMPLETE	165	STUD.THREAD BOTH END
H 1	PISTON ACTUATOR	237	DISC
H 2	SPRING		
H 3	PISTON		

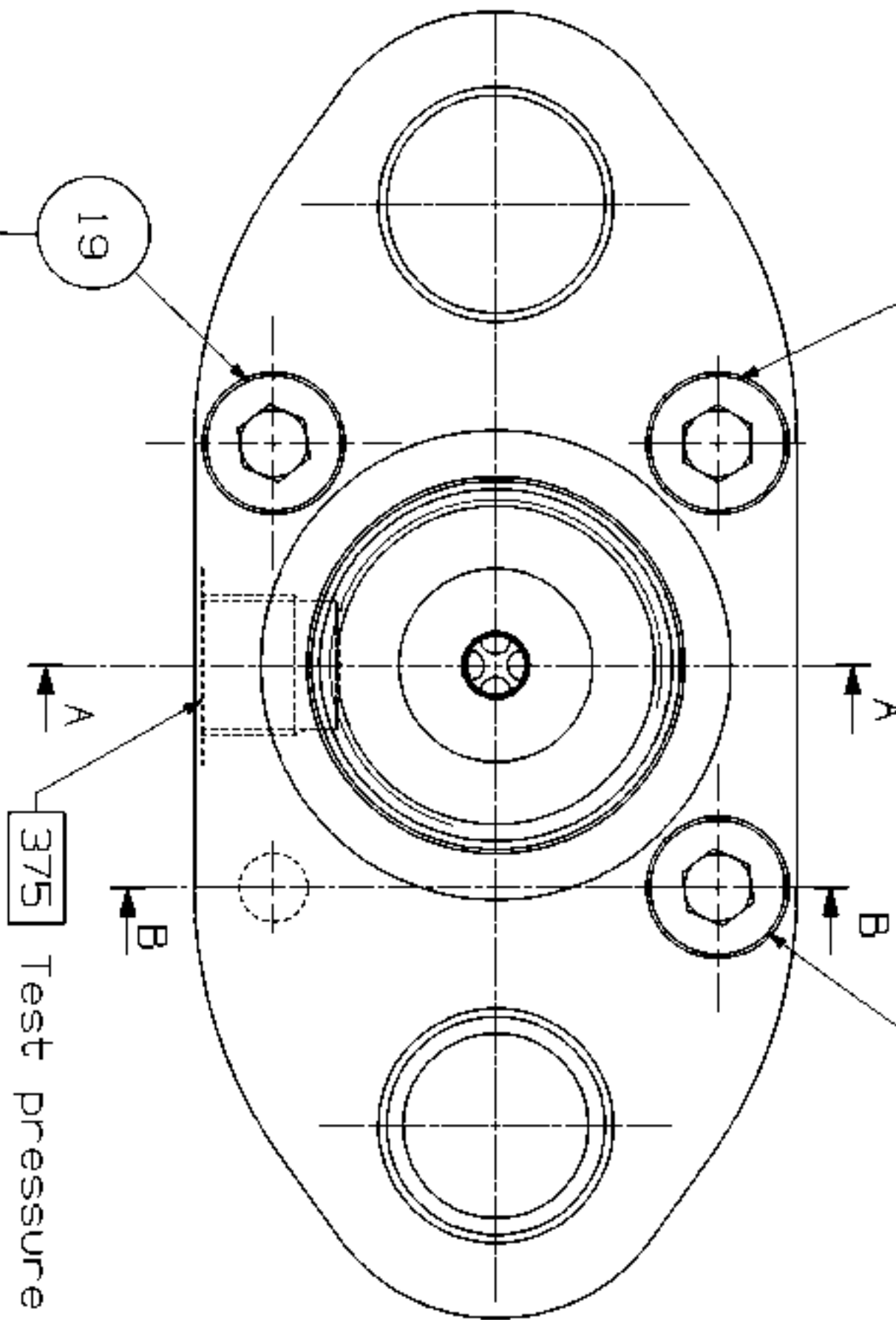
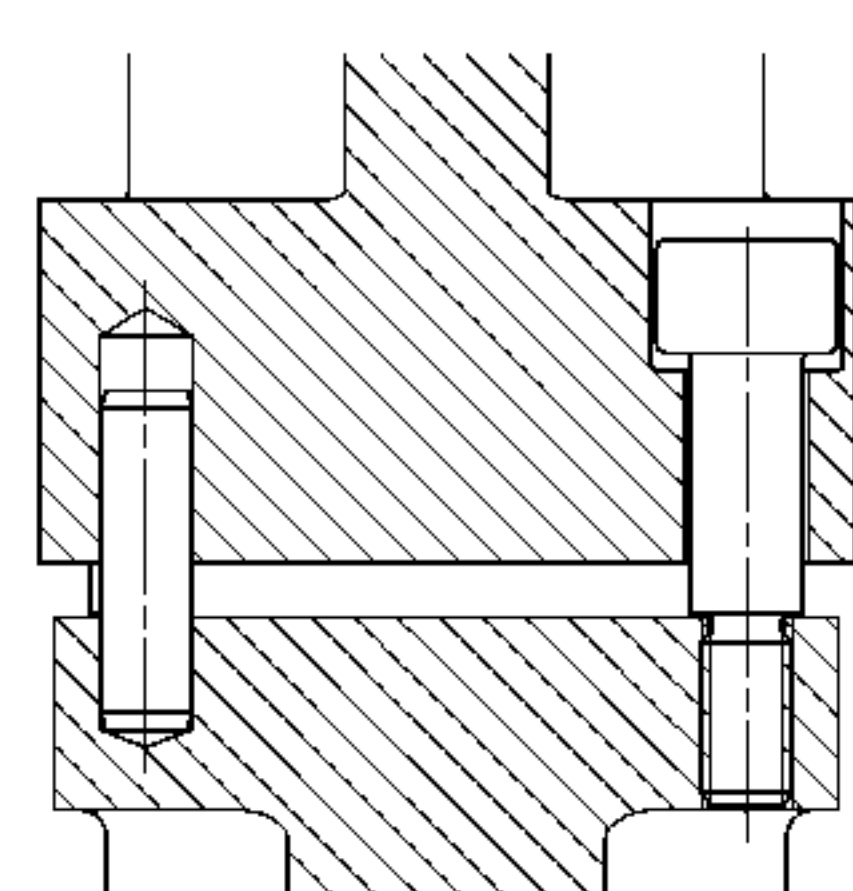
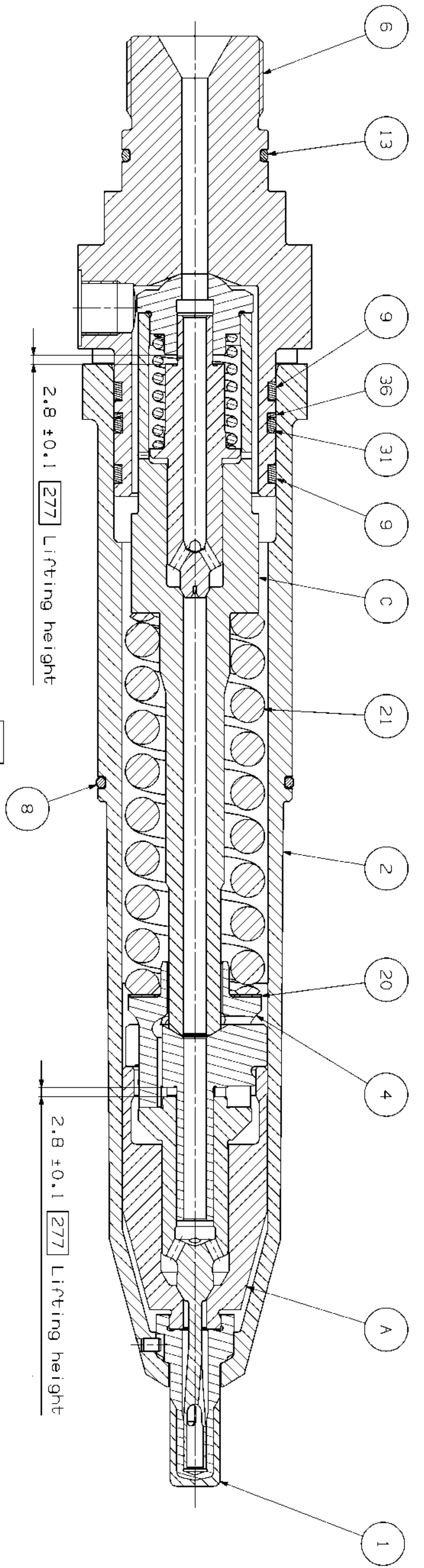
SHEET NO. 343AA HOUSING EXHAUST VALVE COMPLETE



EXHAUST VALVE

REG NO.	PART NAME	REG NO	PART NAME
A	HOUSING EXHAUST VALVE COMPLETE	H 4	DISC
A 1	EXHAUST VALVE HOUSING	H 6	DISC
A 2	THREAD INSERT	U	SAFETY VALVE
A 6	THREAD INSERT	2	SPINDLE GUIDE-LOWER
A 8	GASKET	11	NUT
A 14	FLANGE	12	BOTTOM PIECE
A 19	SCREW	13	O-RING
A 23	SCREW	14	O-RING
A 29	FLANGE	15	SCREW
A 30	SCREW	19	PACKING-ROUND
A 31	GASKET	21	SEALING RING
A 39	DISC	22	SEALING RING
A 40	COVER	24	SCREW
A 41	SCREW	28	NON-RETURN VALVE
A 53	PLUG SCREW	29	GASKET
A 54	GASKET	30	PLUG SCREW
A 62	ANGLE PROFILE	32	PISTON AIR CYLINDER
A 64	INSULATION EXH.V.HOUSING	33	O-RING
A 65	INSULATION EXH.V.HOUSING	34	SEALING RING
A 66	ANGLE PROFILE	35	GUIDE RING FOR PISTON
A 67	INSULATION EXH.V.HOUSING	36	CONE PIECE
A 68	INSULATION EXH.V.HOUSING	37	SEALING RING
A 69	INSULATION EXH.V.HOUSING	38	FITTED SHIM
A 76	PIPE BRANCH	39	SCREW
A 77	GLUE	41	GLUE
A 86	INSULATION EXH.V.HOUSING	44	PISTON RING
A 93	INSULATION EXH.V.HOUSING	45	DISC-EDGED WITH HOLE
A 94	INSULATION EXH.V.HOUSING	48	DISC
A 95	INSULATION EXH.V.HOUSING	52	O-RING
A 112	VALVE	53	SAFETY HANDRAIL
A 113	QUICK COUPLING.MALE	82	HAND RING
B	EXHAUST VALVE SPINDLE COMPLETE	85	O-RING
B 1	EXHAUST VALVE SPINDLE	92	SCREW
B 2	VANE WHEEL	95	O-RING
B 3	SCREW	98	ORIFICE PLUG.OUTSIDE THREAD
C	THROTTLE VALVE	99	PLUG SCREW
C 1	VALVE SCREW	107	GASKET
C 12	SPRING	108	SCREW
C 13	SPINDLE	146	INDUCTIVE SENSOR
C 14	ORIFICE PLUG,EXT.THREAD	147	SCREW
C 15	GLUE	148	SEALING RING
E	EXHAUST VALVE OIL CYLINDER COMPLETE	152	PACKING RING
E 1	EXHAUST VALVE OIL CYLINDER	153	PLUG SCREW
E 2	PLUG SCREW	158	OIL CYLINDER FLANGE
E 3	GLUE	160	NAME PLATE
E 4	CYLINDRICAL PIN	161	BOLT
H	PISTON ACTUATOR COMPLETE	185	STUD.THREAD BOTH END
H 1	PISTON ACTUATOR	237	DISC
H 2	SPRING		
H 3	PISTON		

SHEET NO. 344A FUEL VALVE



[453] Tightening torque: 30Nm

[453] Tightening torque: 30Nm

[453] Tightening torque: 30Nm

[650] Opening pressure : 400 bar 0 / +30 bar.
 [274] To be adjusted by shims, pos. 14

[375] Test pressure 100 bar.

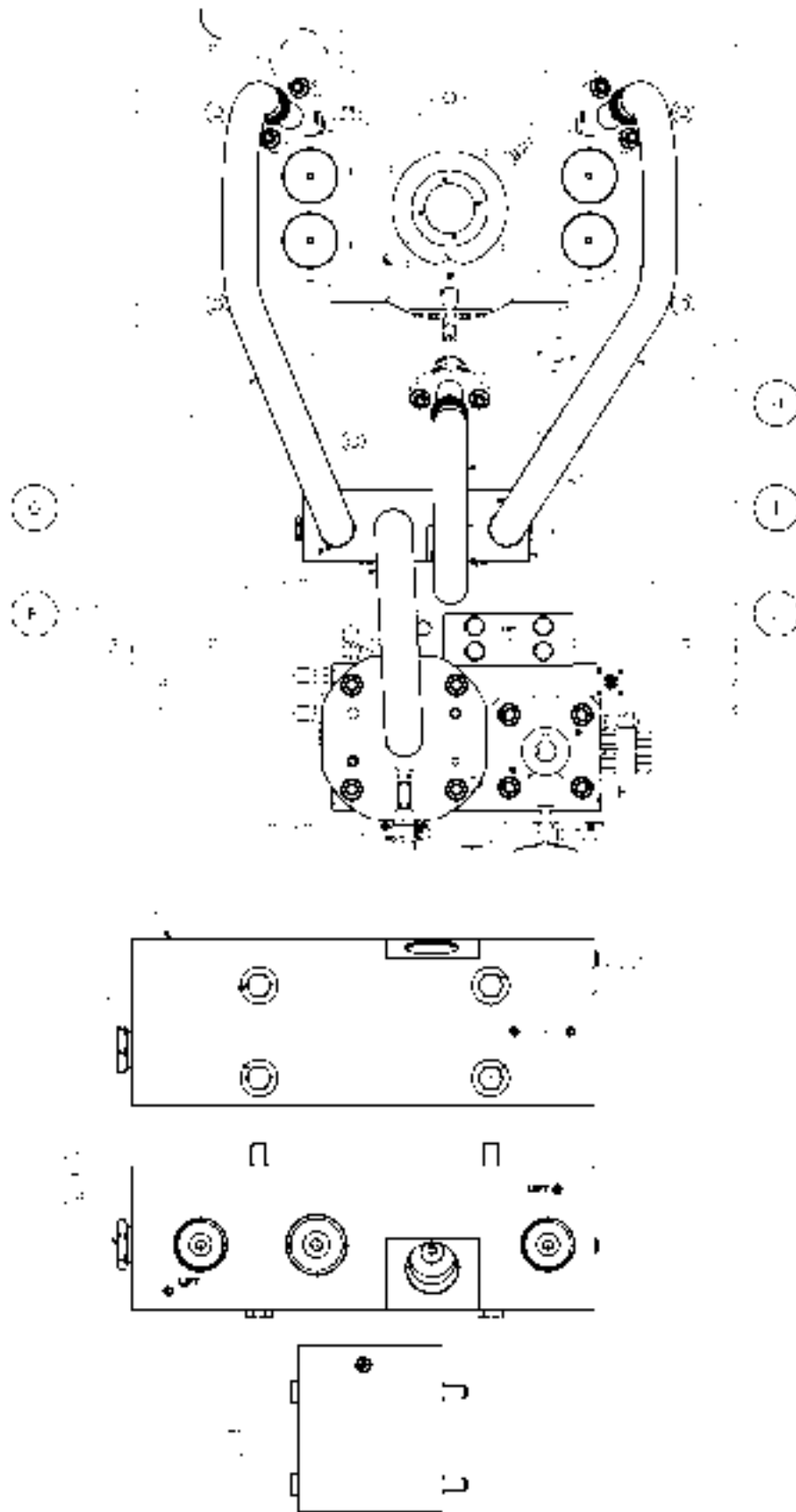
SHEET NO. 344A

FUEL VALVE

REG NO.	PART NAME
A	SPINDLE GUIDE COMPLETE
A 1	SPINDLE GUIDE
A 2	CUT-OFF SHAFT
A 3	THRUST PIECE
C	NON-RETURN VALVE COMPLETE
C 1	HOUSING
C 2	VENT SLIDE
C 3	THRUST PIECE
C 4	SPRING
1	FUEL NOZZLE
2	HOLDER FUEL NOZZLE
4	FOOT PIECE
6	FUEL VALVE HEAD
8	O-RING
9	O-RING
13	O-RING
19	SCREW
20	WASHER
21	SPRING
31	O-RING
36	BACK-UP RING



SHEET NO. 3453 FLW. OIL HIGH PRESSURE PIPE



6G60ME-FL9.2

REG NO.	NAME	REG NO.	NAME
F	F.O. HIGH PRESSURE PIPE COMPLETE	G 14	SLEEVE DIVIDED
EA	HIGH PRESSURE PIPE	G 15	SPRING RING
EA 1	HIGH PRESSURE PIPE	F	HIGH PRESSURE PIPES COMPLETE
EA 2	PROTECTIVE PIPE	HA	HIGH PRESSURE PIPE
EA 5	PRESSURE RING	HA 1	HIGH PRESSURE PIPE
EA 7	SEGMENT	HA 2	PROTECTIVE PIPE
EE	UNION NIPPLE	HA 6	PRESSURE RING
EE 1	UNION NIPPLE	HA 7	SEGMENT
EE 2	HOUSING FOR SEALING RING	HC	UNION NIPPLE
EE 3	UNION NUT	HC 1	UNION NIPPLE
EE 4	O-RING	HC 2	HOUSING FOR SEALING RING
FF 5	O RING	HC 3	UNION NUT
EE 6	O-RING	HC 4	O-RING
FF 10	UNION NUT	HC 5	O RING
EE 11	CONE	HC 7	UNION NUT
FF 12	CONF	HC 8	CONF
EF	HIGH PRESSURE PIPE COMPLETE	HC 9	CONE
FF 1	INSULATION PIPE	HF	UNION NIPPLE
EF 2	TAPE SELF-ADHESIVE	HE 1	UNION NIPPLE
FF 3	HOUSING FOR SEALING RING	HF 2	HOUSING FOR SEALING RING
E 14	SLEEVE DIVIDED	HE 3	UNION NUT
F 15	SPRING RING	HF 4	O RING
G	HIGH PRESSURE PIPE COMPLETE	HE 5	O-RING
GA	HIGH PRESSURE PIPE	HF 6	O-RING
GA 1	HIGH PRESSURE PIPE	HE 10	UNION NUT
GA 2	PROTECTIVE PIPE	HF 11	CONF
GA 5	PRESSURE RING	HE 12	CONE
GA 7	SEGMENT	HF	INSULATION OF HP PIPES COMPLETE
GC	UNION NIPPLE	HF 1	INSULATION OF HP PIPES
GC 1	UNION NIPPLE	HF 2	TYPE SELF-ADHESIVE
GC 2	HOUSING FOR SEALING RING	HF 3	HOUSING FOR SEALING RING
GC 3	UNION NUT	H 14	SLEEVE DIVIDED
GC 4	O RING	H 15	SPRING RING
GC 5	O-RING		F.O. HIGH PRESSURE PIPE COMPLETE
GC 7	UNION NUT	IA	HIGH PRESSURE PIPE
GC 8	CONE	IA 1	HIGH PRESSURE PIPE
GC 9	CONF	IA 2	PROTECTIVE PIPE
GE	UNION NIPPLE	IA 6	PRESSURE RING
GF 1	UNION NIPPLE	IA 7	SEGMENT
GE 2	HOUSING FOR SEALING RING	IC	UNION NIPPLE
GF 3	UNION NUT	IC 1	UNION NIPPLE
GE 4	O-RING	IC 2	HOUSING FOR SEALING RING
GF 5	O RING	IC 3	UNION NUT
GE 6	O-RING	IC 4	O-RING
GF 10	UNION NUT	IC 5	O RING
GE 11	CONE	IC 7	UNION NUT
GF 12	CONF	IC 8	CONF
GF	INSULATION OF HP PIPES COMPLETE	IC 9	CONE
GF 1	INSULATION OF HP PIPES	IE	
GF 2	TYPE SELF-ADHESIVE	IE 1	UNION NIPPLE
GF 3	HOUSING FOR SEALING RING	IE 2	HOUSING FOR SEALING RING

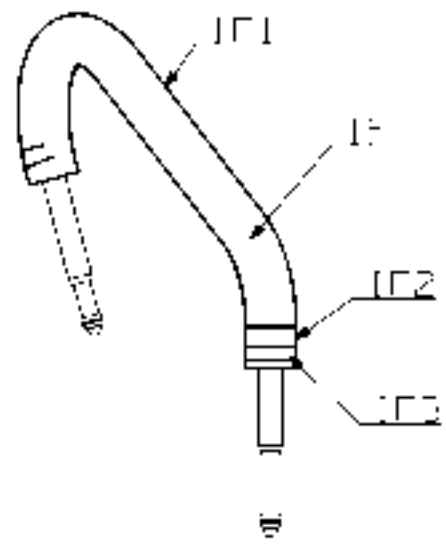
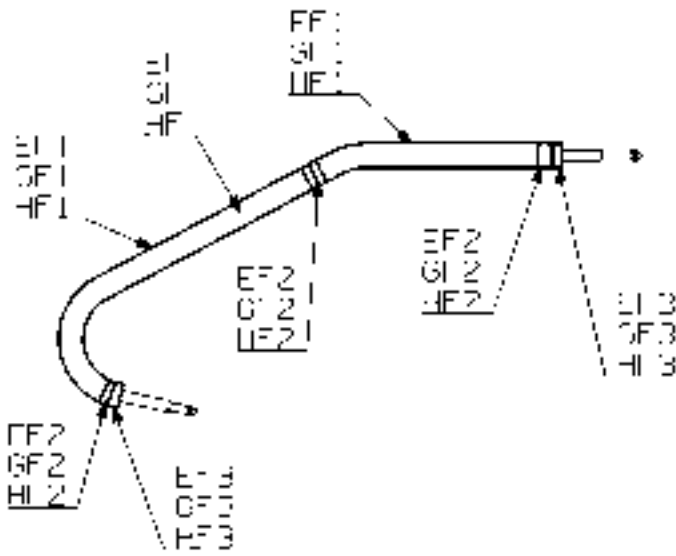
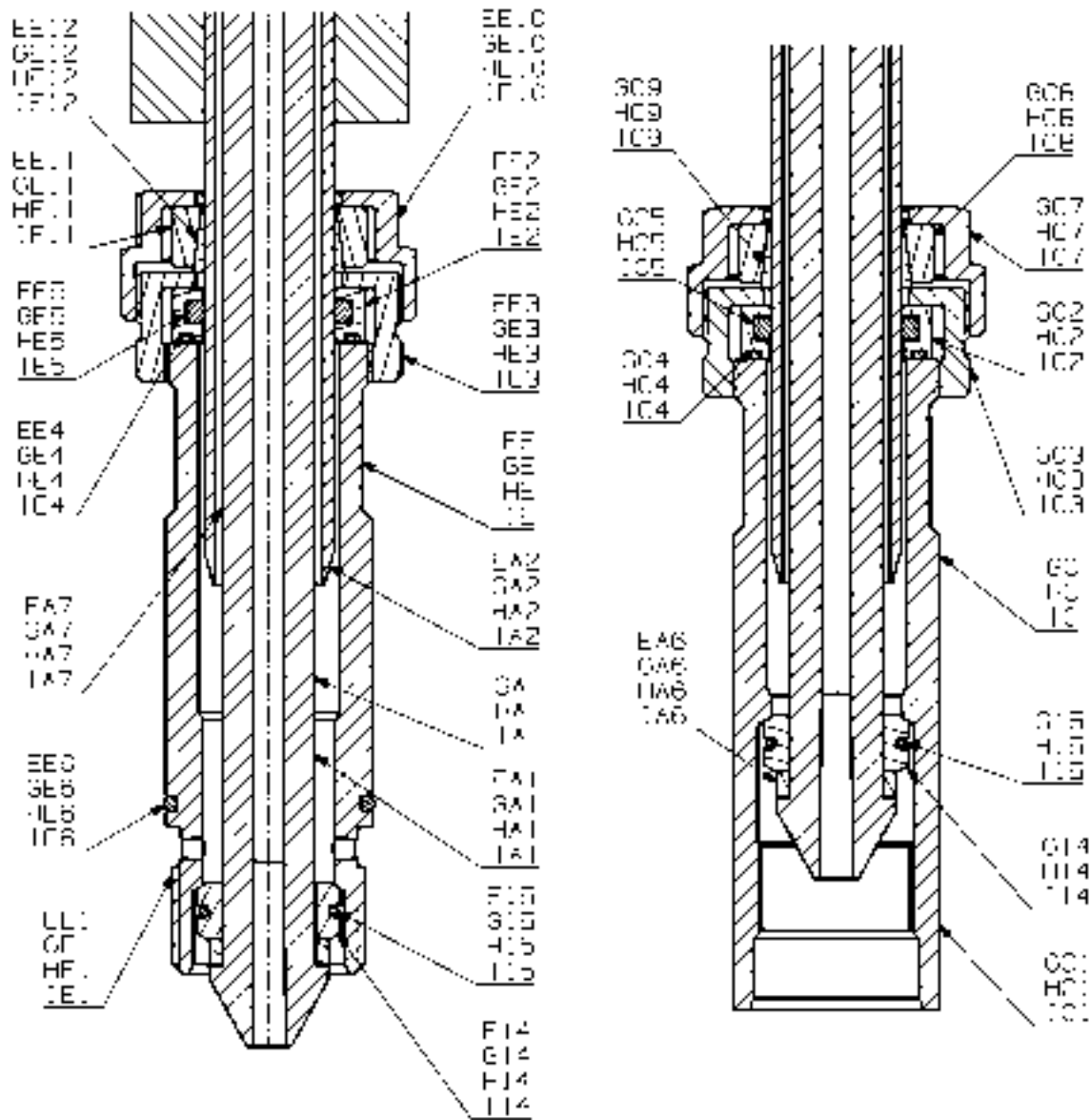
6G60ME-C9.2

REG NO.	NAME	REG NO.	NAME
IE 2	UNION NUT		
IE 4	O-RING		
IE 5	O-RING		
IE 6	O-RING		
IE 10	UNION NUT		
IE 11	CONE		
IE 12	CONE		
IF	INSULATION OF HP PIPES COMPLETE		
IF 1	INSULATION OF HP PIPES		
IF 2	TYPE SELF ADHESIVE		
IF 3	HOUSING FOR SEALING RING		
I 14	SLEEVE DIVIDED		
I 15	SPRING RING		
.	DISTRIBUTOR BLOCK		
-	DISTRIBUTOR BLOCK		
	2 SCREW		
	3 PLUG SCREW		
	4 PLUG SCREW		
	5 GLUE		
	6 DISC		

6G60ME-C9.2



SHIRT NO. 3453 FUEL OIL HIGH PRESSURE PIPE



6G60ME-C 9.5

REG NO.	NAME	REG NO.	NAME
F	F.O. HIGH PRESSURE PIPE COMPLETE	G 14	SLEEVE DIVIDED
EA	HIGH PRESSURE PIPE	G 15	SPRING RING
EA 1	HIGH PRESSURE PIPE	F	HIGH PRESSURE PIPES COMPLETE
EA 2	PROTECTIVE PIPE	HA	HIGH PRESSURE PIPE
EA 5	PRESSURE RING	HA 1	HIGH PRESSURE PIPE
EA 7	SEGMENT	HA 2	PROTECTIVE PIPE
EE	UNION NIPPLE	HA 6	PRESSURE RING
EE 1	UNION NIPPLE	HA 7	SEGMENT
EE 2	HOUSING FOR SEALING RING	HC	UNION NIPPLE
EE 3	UNION NUT	HC 1	UNION NIPPLE
EE 4	O-RING	HC 2	HOUSING FOR SEALING RING
FF 5	O RING	HC 3	UNION NUT
EE 6	O-RING	HC 4	O-RING
FF 10	UNION NUT	HC 5	O RING
EE 11	CONE	HC 7	UNION NUT
FF 12	CONF	HC 8	CONF
EF	HIGH PRESSURE PIPE COMPLETE	HC 9	CONE
FF 1	INSULATION PIPE	HF	UNION NIPPLE
EF 2	TAPE SELF-ADHESIVE	HE 1	UNION NIPPLE
FF 3	HOUSING FOR SEALING RING	HF 2	HOUSING FOR SEALING RING
E 14	SLEEVE DIVIDED	HE 3	UNION NUT
F 15	SPRING RING	HF 4	O RING
G	HIGH PRESSURE PIPE COMPLETE	HE 5	O-RING
GA	HIGH PRESSURE PIPE	HF 6	O-RING
GA 1	HIGH PRESSURE PIPE	HE 10	UNION NUT
GA 2	PROTECTIVE PIPE	HF 11	CONF
GA 5	PRESSURE RING	HE 12	CONE
GA 7	SEGMENT	HF	INSULATION OF HP PIPES COMPLETE
GC	UNION NIPPLE	HF 1	INSULATION OF HP PIPES
GC 1	UNION NIPPLE	HF 2	TAPE SELF-ADHESIVE
GC 2	HOUSING FOR SEALING RING	HF 3	HOUSING FOR SEALING RING
GC 3	UNION NUT	H 14	SLEEVE DIVIDED
GC 4	O RING	H 15	SPRING RING
GC 5	O-RING		F.O. HIGH PRESSURE PIPE COMPLETE
GC 7	UNION NUT	IA	HIGH PRESSURE PIPE
GC 8	CONE	IA 1	HIGH PRESSURE PIPE
GC 9	CONF	IA 2	PROTECTIVE PIPE
GE	UNION NIPPLE	IA 6	PRESSURE RING
GF 1	UNION NIPPLE	IA 7	SEGMENT
GE 2	HOUSING FOR SEALING RING	IC	UNION NIPPLE
GF 3	UNION NUT	IC 1	UNION NIPPLE
GE 4	O-RING	IC 2	HOUSING FOR SEALING RING
GF 5	O RING	IC 3	UNION NUT
GE 6	O-RING	IC 4	O-RING
GF 10	UNION NUT	IC 5	O RING
GE 11	CONE	IC 7	UNION NUT
GF 12	CONF	IC 8	CONF
GF	INSULATION OF HP PIPES COMPLETE	IC 9	CONE
GF 1	INSULATION OF HP PIPES	IE	
GF 2	TAPE SELF-ADHESIVE	IE 1	UNION NIPPLE
GF 3	HOUSING FOR SEALING RING	IE 2	HOUSING FOR SEALING RING

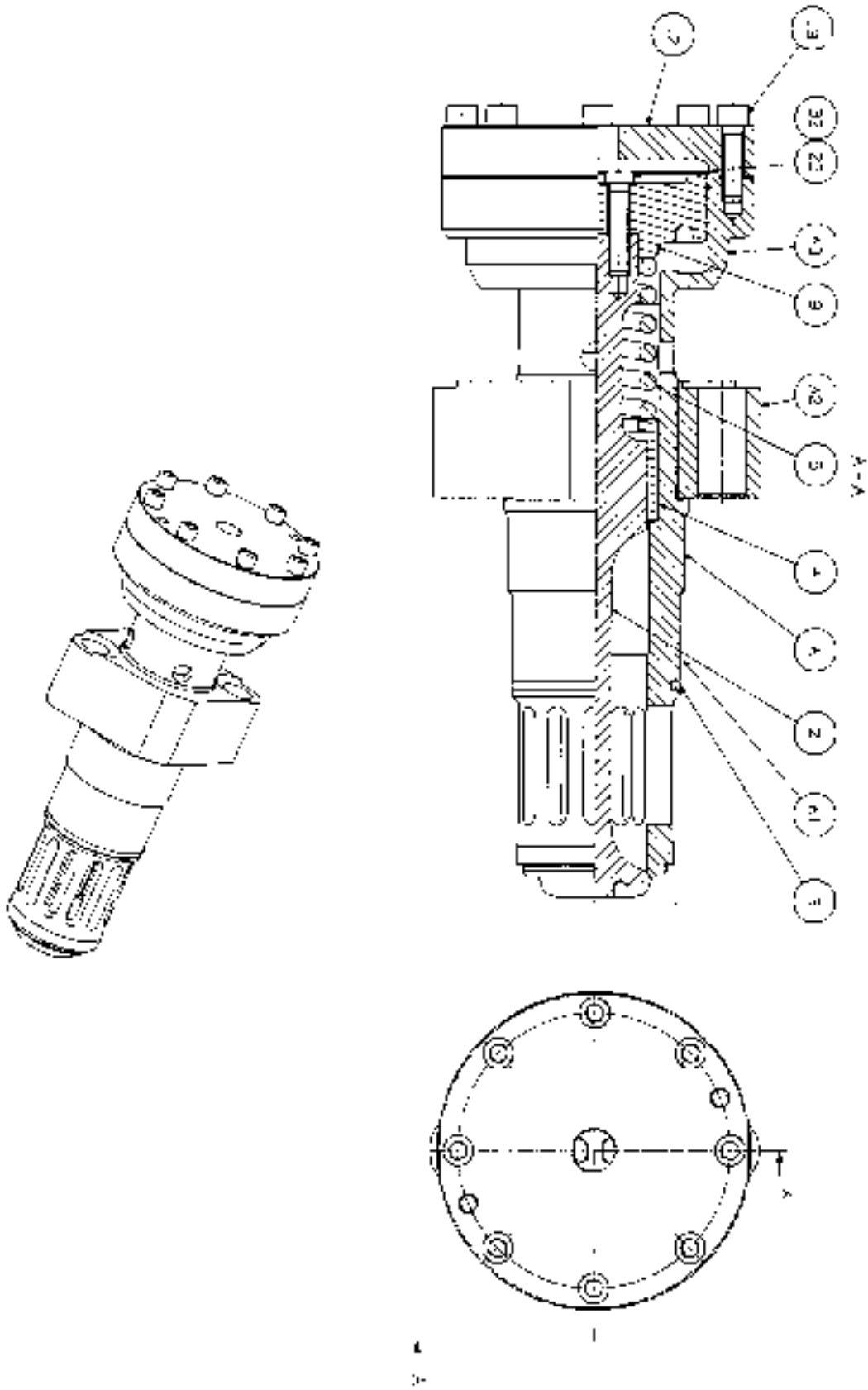
6G60ME-C9.2

REG NO.	NAME	REG NO.	NAME
IE 2	UNION NUT		
IE 4	O-RING		
IE 5	O-RING		
IE 6	O-RING		
IE 10	UNION NUT		
IE 11	CONE		
IE 12	CONE		
IF	INSULATION OF HP PIPES COMPLETE		
IF 1	INSULATION OF HP PIPES		
IF 2	TYPE SELF ADHESIVE		
IF 3	HOUSING FOR SEALING RING		
I 14	SLEEVE DIVIDED		
I 15	SPRING RING		
.	DISTRIBUTOR BLOCK		
-	DISTRIBUTOR BLOCK		
	2 SCREW		
	3 PLUG SCREW		
	4 PLUG SCREW		
	5 GLUE		
	6 DISC		

6G60ME-C9.2



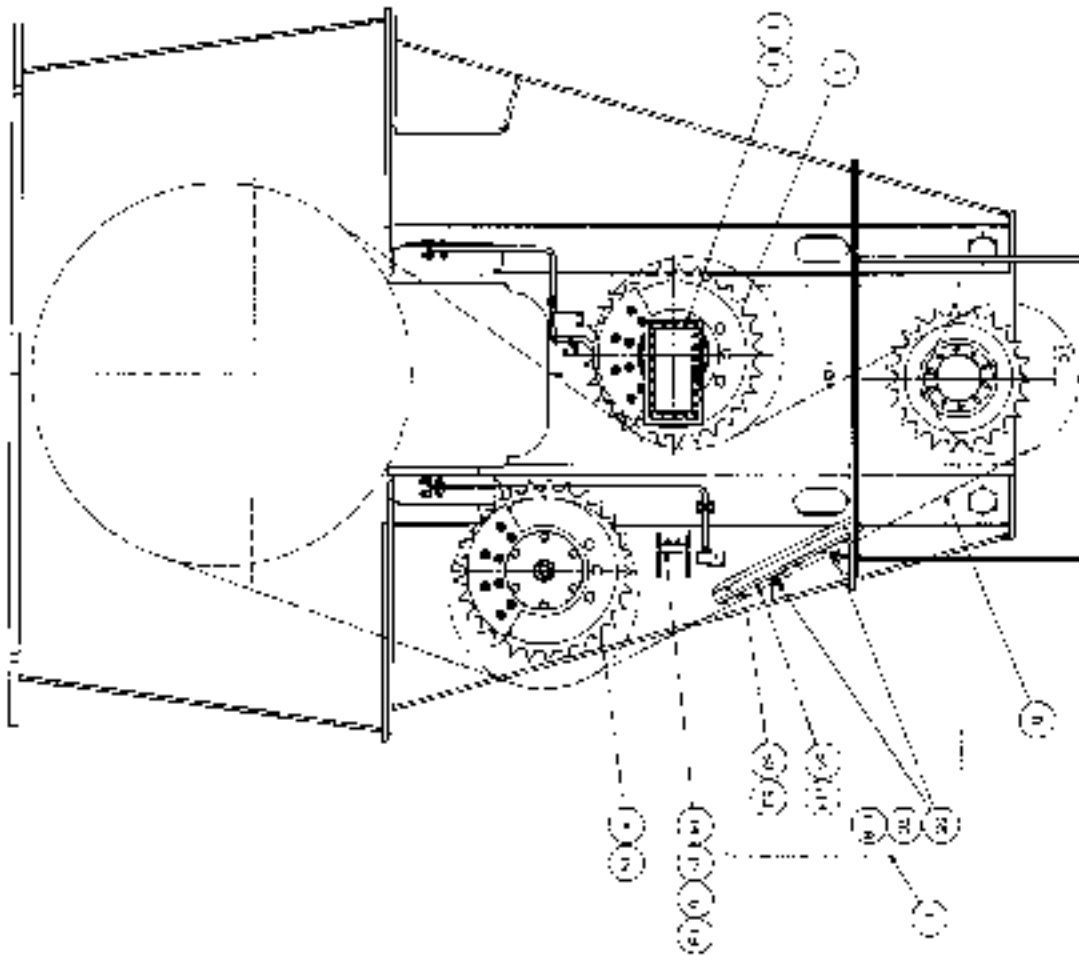
SFF- NO. 246A STARTING VALVE



SHEET NO. 346A

STARTING VALVE

H/LG NO	PART NAME
A	VALVE HOUSING
A 1	VALVE HOUSING
A 2	FLANGE
A 3	VALVE HOUSING
2	SPINDLE
3	O-RING
4	LINER
5	SPRING
9	PISTON
12	COVER
13	SCREW
22	SCREW
32	GLUE



SHELL NO. 421A

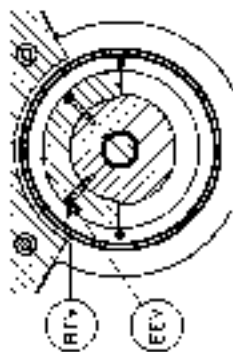
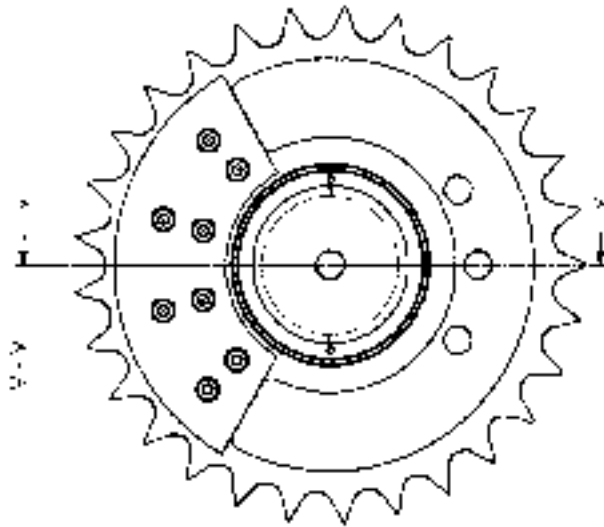
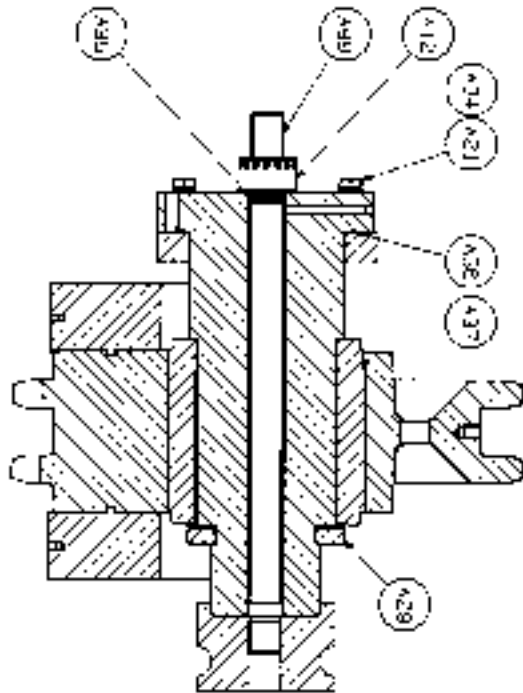
CHAIN ARRANGEMENT

REG NO	PART NAME
A	CHAIN DRIVE
AA	INTERMED ATF SHAFT MOUNT
AA 1	CHAIN WHEEL
AA 2	BEARING BUSH
AA 5	SCREW
AA 8	BUSHING
AA 16	STOP SCREW
AA 19	FLYWEIGHT
A 3	SHAFT
A 12	NUT
A 18	SCREW
A 21	SCREW
A 29	BUSHING
33	GASKET
34	GASKET
35	SEALING RING
99	BOLT
B	CHAIN TIGHTENER MOUNTING
BB	CHAIN
BB 1	CHAIN
BB 5	SCREW
BB 8	BUSHING
BB 16	POSITIONING BOLT
BB 19	FLYWEIGHT
B 1	SHAFT
B 2	BUSHING
B 6	SCREW
B 11	SCREW
B 12	NUT
D 25	WASHER
B 27	THRUST FLANGE
B 28	THRUST FLANGE
C	CHAIN DRIVE
C 60	GUIDE BAR
C 63	BEAM FOR GU DEBAH
C 64	SCREW
C 65	SCREW
C 70	WASHER
C 114	WASHER
C 118	WASHER
R	CHAIN
10	COVER
11	SCHLW
14	BEAM
15	SCREW
16	NUT
18	WASHER
19	PROTECTIVE CAP

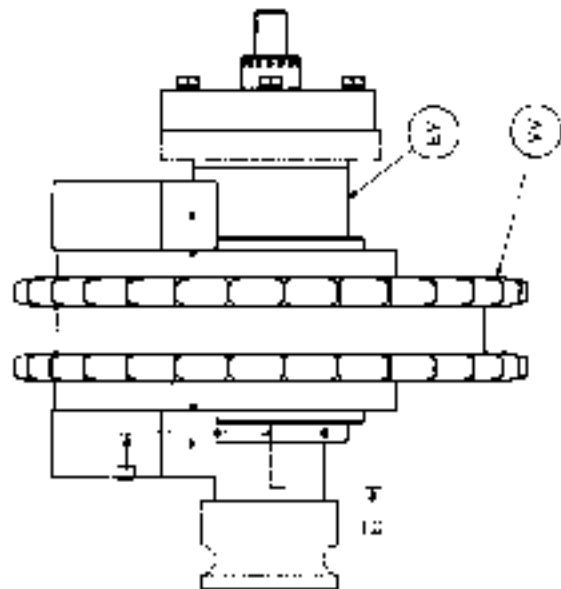


SHEET NO. 421A CHAIN ARRANGEMENT

2/4



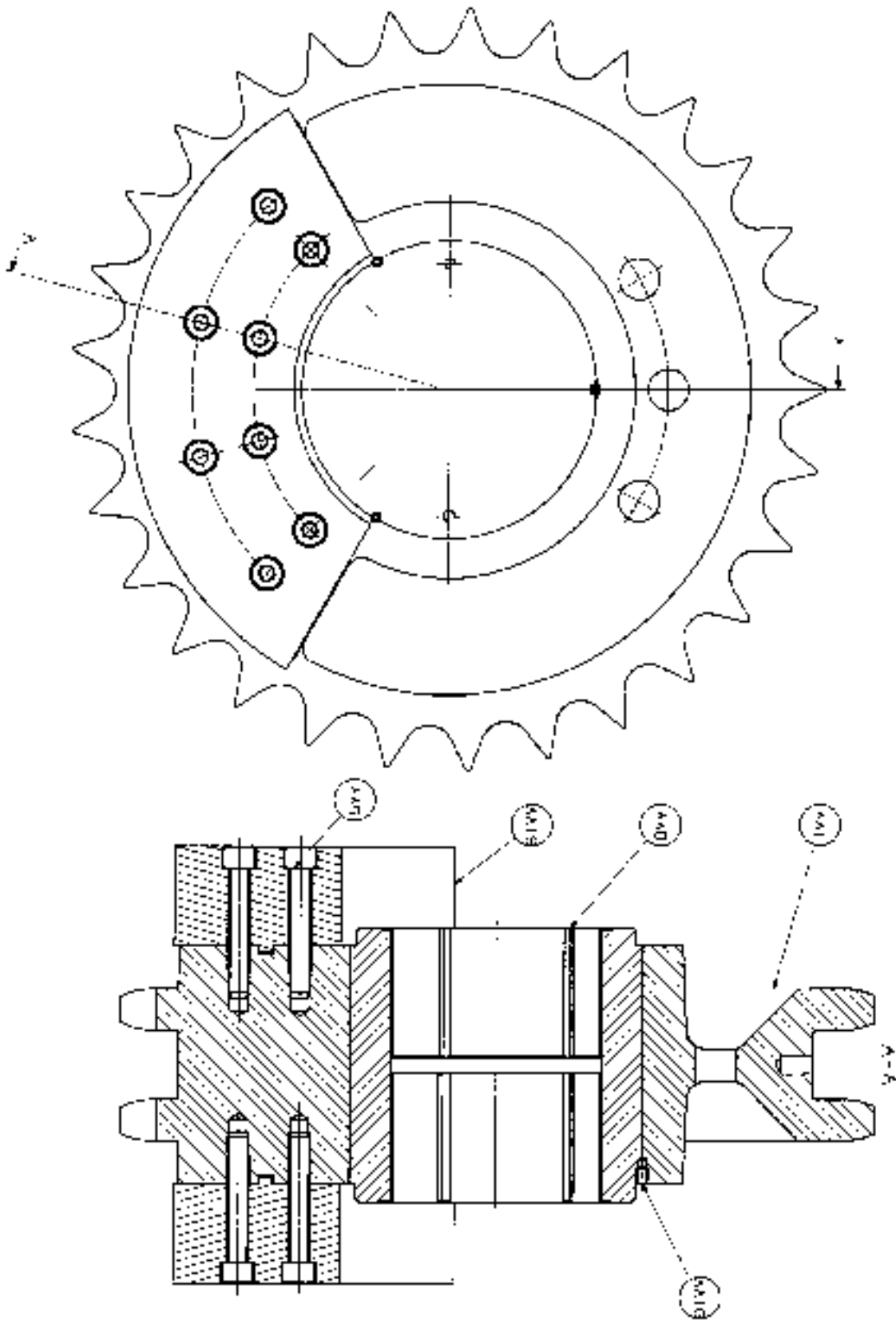
B-3



SHEET NO 421A

CHAIN ARRANGEMENT

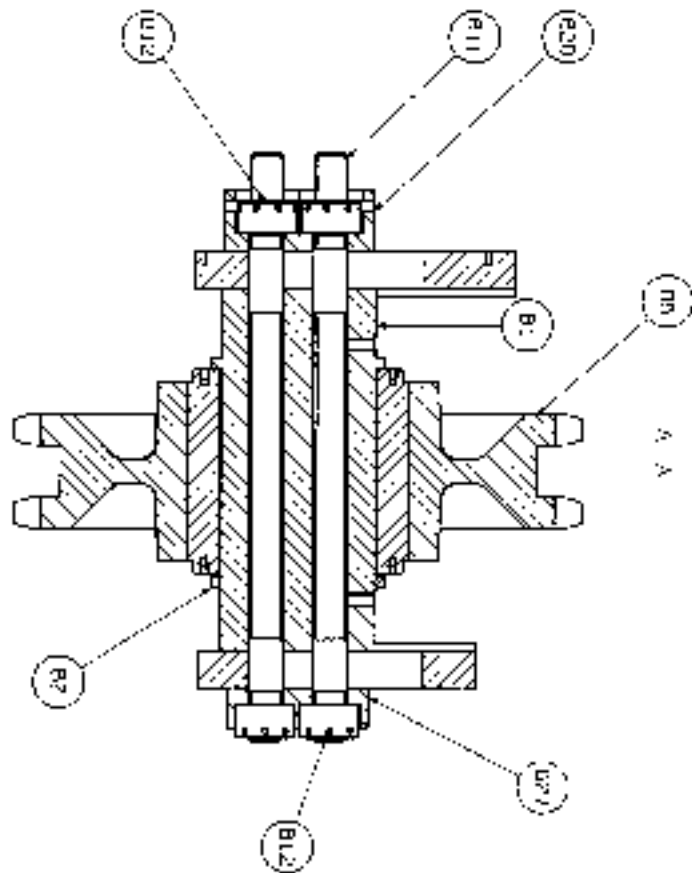
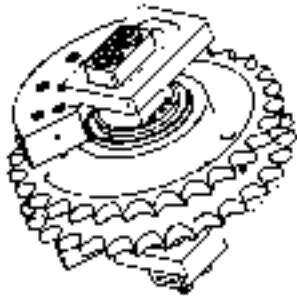
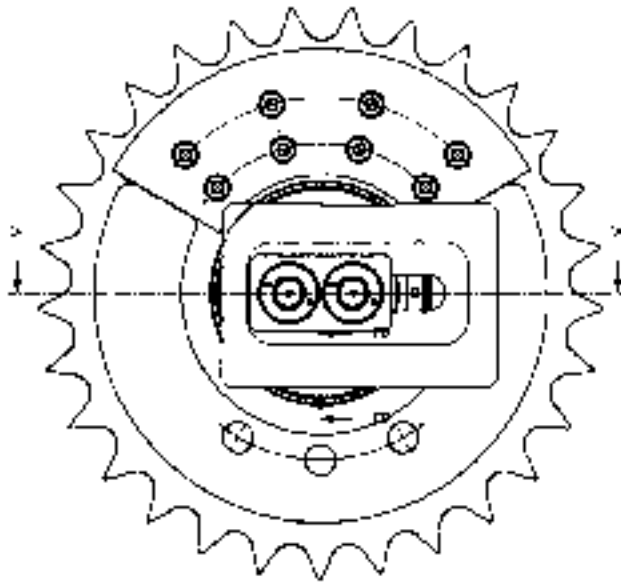
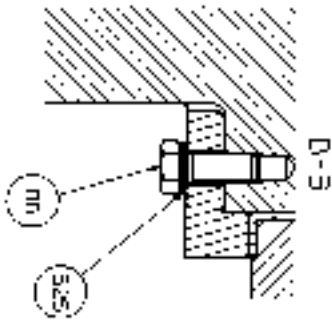
REF NO	PART NAME
A	CHAIN DRIVE
AA	INTERMEDIATE SHAFT MOUNT
AA 1	CHAIN WHEEL
AA 2	BEARING RUSH
AA 5	SCREW
AA 8	BUSHING
AA 16	STOP SCREW
AA 19	FLYWEIGHT
A 3	SHAFT
A 12	NUT
A 18	SCREW
A 21	SCREW
A 29	BUSHING
33	GASKET
34	GASKET
35	SPACING RING
38	BOLT
B	CHAIN TIGHTENER MOUNTING
BB	CHAIN
BB 1	CHAIN
BB 5	SCREW
BB 8	BUSHING
BB 15	POSITIONING BOLT
BB 19	FLYWEIGHT
B 1	SHAFT
B 2	BUSHING
B 6	SCREW
B 11	SCREW
B 12	NUT
R 25	WASHER
B 27	THRUST FLANGE
B 28	THRUST FLANGE
C	CHAIN DRIVE
C 60	GUIDE BAR
C 62	BEAM FOR GLIDEBAR
C 64	SCREW
C 65	SCREW
C 70	WASHER
C 114	WASHER
C 118	WASHER
R	CHAIN
10	COVER
11	SCHLW
12	BEAM
15	SCREW
16	NUT
18	WASHER
19	PROTECTIVE CAP



SHEET NO. 421A

CHAIN ARRANGEMENT

REG NO.	PART NAME
A	CHAIN DRIVE
AA	INTERMEDIATE SHAFT MOUNT
AA 1	CHAIN WHEEL
AA 2	BEARING BUSH
AA 5	SCREW
AA 8	BUSHING
AA 16	STOP SCREW
AA 19	FLYWEIGHT
A 3	SHAFT
A 12	NUT
A 18	SCREW
A 21	SCREW
A 28	BUSHING
33	GASKET
34	GASKET
35	SEALING RING
99	BOLT
B	CHAIN TIGHTENER MOUNTING
RR	CHAIN
RR 1	CHAIN
BB 5	SCREW
BB 8	BUSHING
BB 16	POSITIONING BOLT
BB 19	FLYWEIGHT
B 1	SHAFT
B 2	BUSHING
B 6	SCREW
B 11	SCREW
B 12	NUT
B 25	WASHER
B 27	THRUST FLANGE
B 28	THRUST FLANGE
C	CHAIN DRIVE
C 50	GUIDE BAR
C 53	BEAM FOR GUIDE BAR
C 54	SCREW
C 55	SCHLW
C 70	WASHER
C 114	WASHER
C 118	WASHER
R	CHAIN
10	COVER
11	SCREW
14	BEAM
15	SCREW
18	NUT
19	WASHER
19	PROTECTIVE CAP

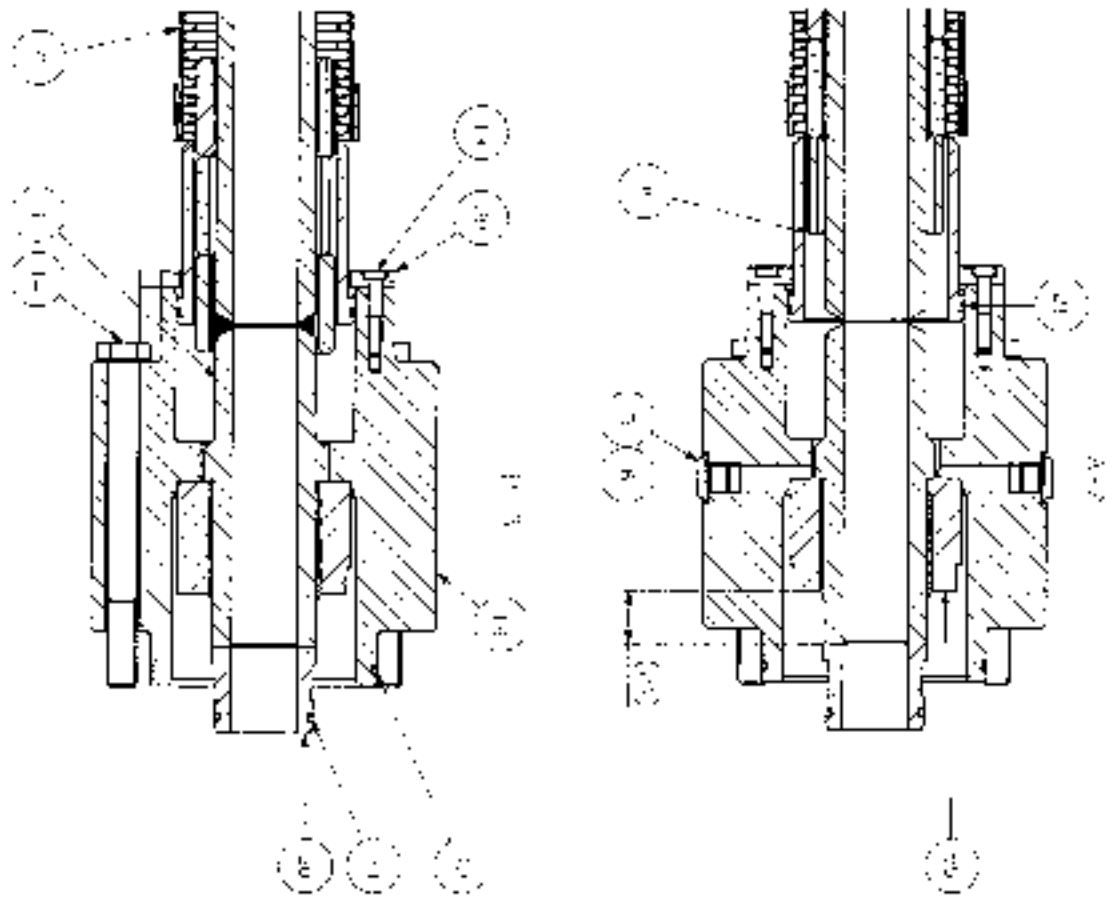
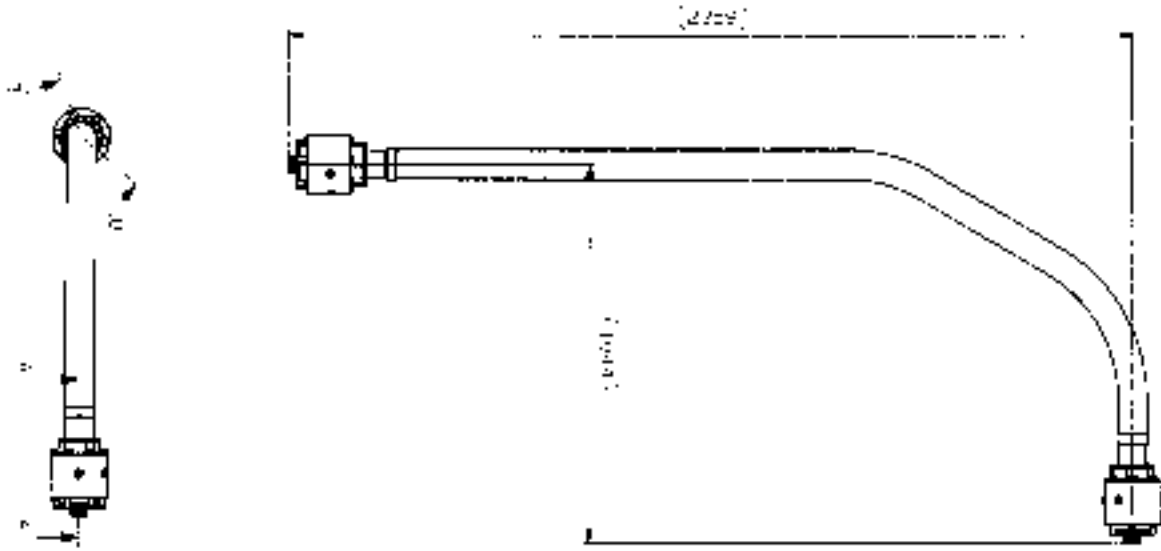


SHELL NO. 421A

CHAIN ARRANGEMENT

LEG NO	PART NAME
A	CHAIN DRIVL
AA	INTERMED AIF SHAFT MJUNT
AA 1	CHAIN WHEEL
AA 2	BEARING BUSH
AA 5	SCREW
AA 8	BUSHING
AA 16	STOP SCREW
AA 19	FLYWEIGHT
A 3	SHAFT
A 12	NUT
A 18	SCREW
A 21	SCREW
A 29	BUSHING
33	GASKET
34	GASKET
35	SEALING RING
39	BOLT
B	CHAIN TIGHTENER MOUNTING
BB	CHAIN
BB 1	CHAIN
BB 5	SCREW
BB 8	BUSHING
BB 16	POSITIONING BOLT
BB 19	FLYWEIGHT
B 1	SHAFT
B 2	BUSHING
B 5	SCREW
B 11	SCREW
B 12	NUT
B 25	WASHER
B 27	THRUST FLANGE
B 28	THRUST FLANGE
C	CHAIN DRIVE
C 50	GUIDE BAR
C 63	BEAM FOR GUIDE BAR
C 64	SCREW
C 65	SCREW
C 70	WASHER
C 114	WASHER
C 118	WASHER
H	CHAIN
10	COVER
11	SCREW
14	BEAM
15	SCREW
16	NUT
18	WASHER
19	PROTECTIVE CAP

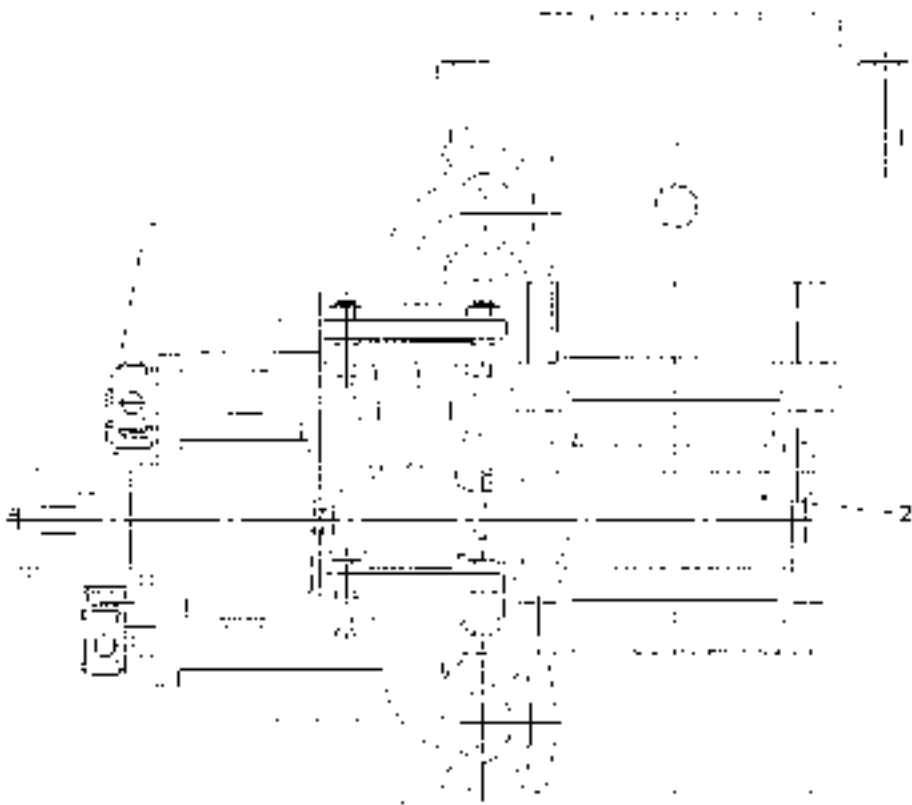
SHEET NO. 434B EXH. HIGH PRESSURE PIPE



SHEET NO. 434B

EXH. HIGH PRESSURE PIPE

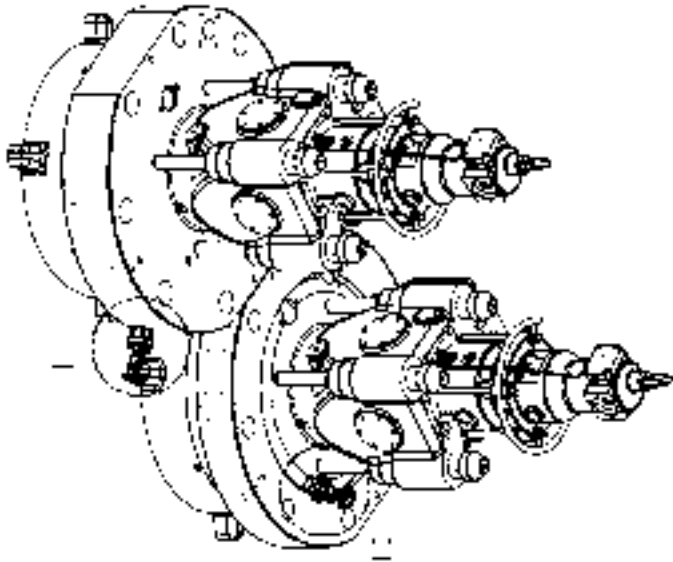
REG NO.	PART NAME
C	HOSE COMPLETE
C1	BRANCH PIECE
C2	SLEEVE
C3	FLEXIBLE STEEL TUBE
1	HYDRAULIC PIPE
5	PLUG SCREW
6	DISC
13	STUD
14	STUD
19	THRUST FLANGE
21	O-RING
22	O-RING
23	O-RING
29	DISC WITH INCISION
30	DISC SPECIAL
35	PROTECTIVE PIPE
55	THRUST BUSHING



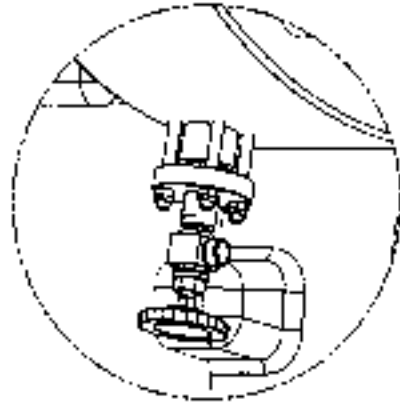
SHEET NO. 445A

MAIN STARTING VALVE

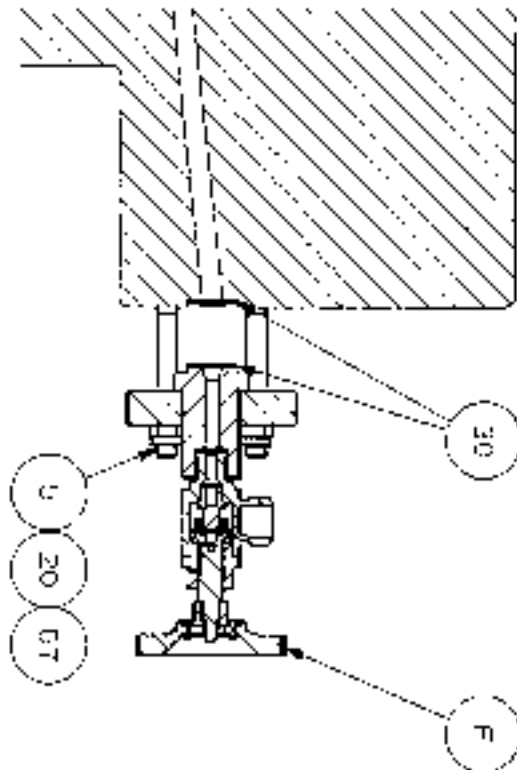
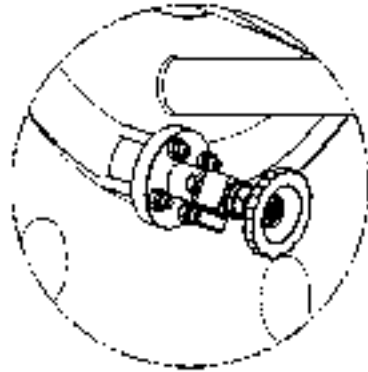
REG NO.	PART NAME
1	SWITCH
2	MAIN STARTING VALVE



Method 1
Side mounted



Method 2
Top mounted



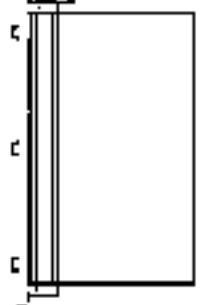
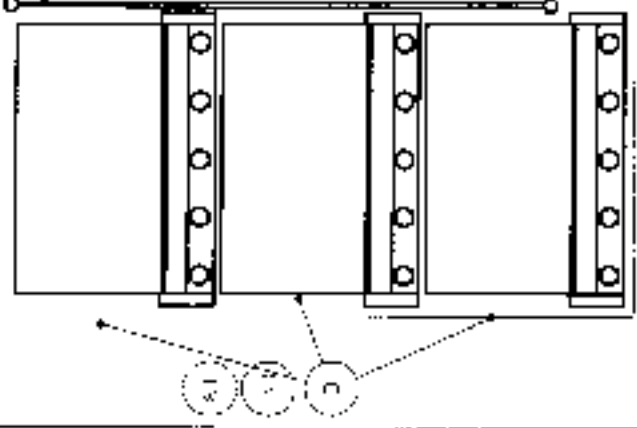
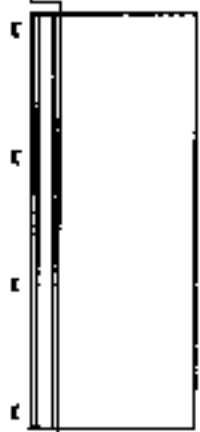
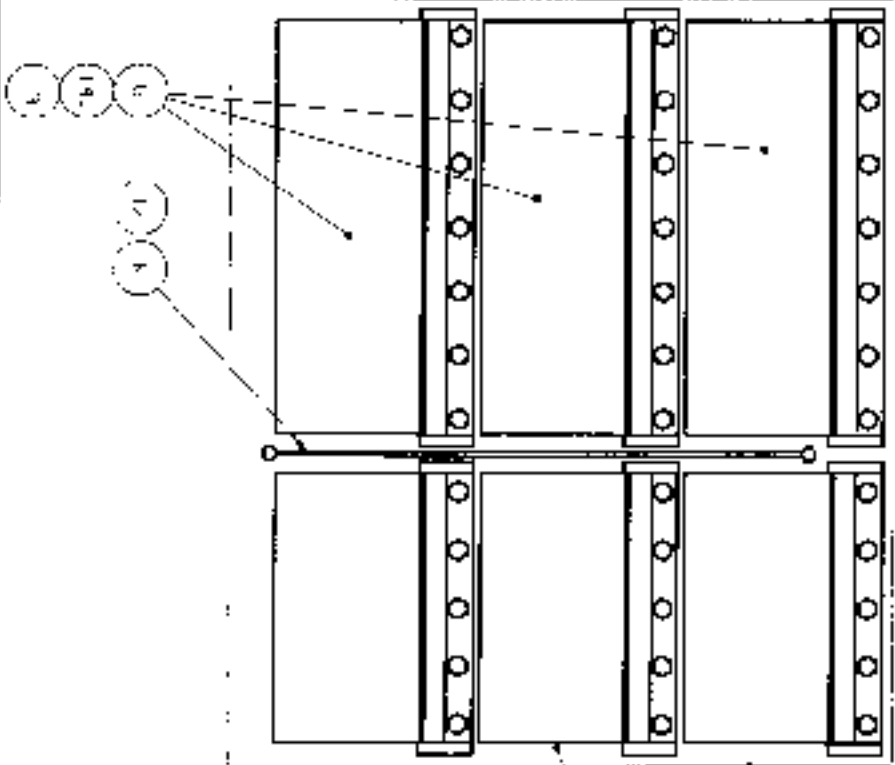
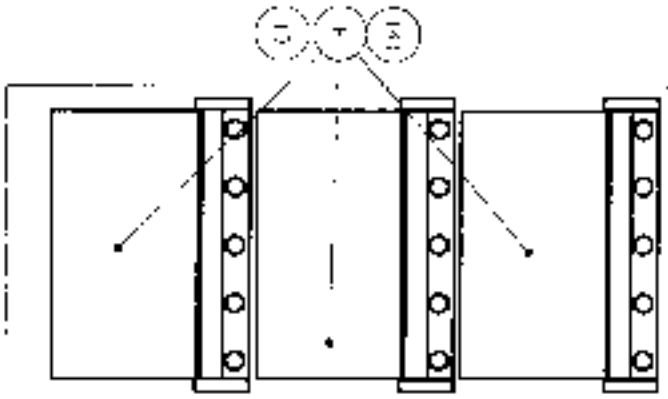
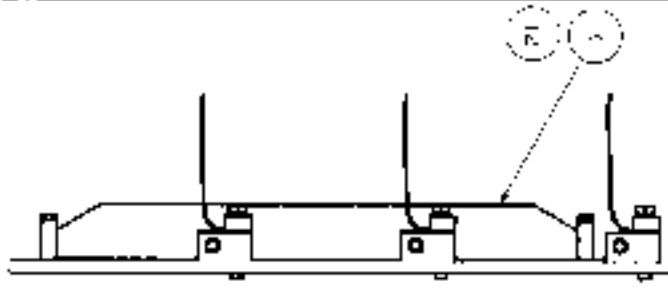
SHEET NO. 453A

INDICATOR DRIVE

REG NO.	PART NAME
E	EXTENSION
5	NUT
20	BOLT
30	SHIM
67	GLUE



SHEET NO. AUX. BLOWER PIPE APP.

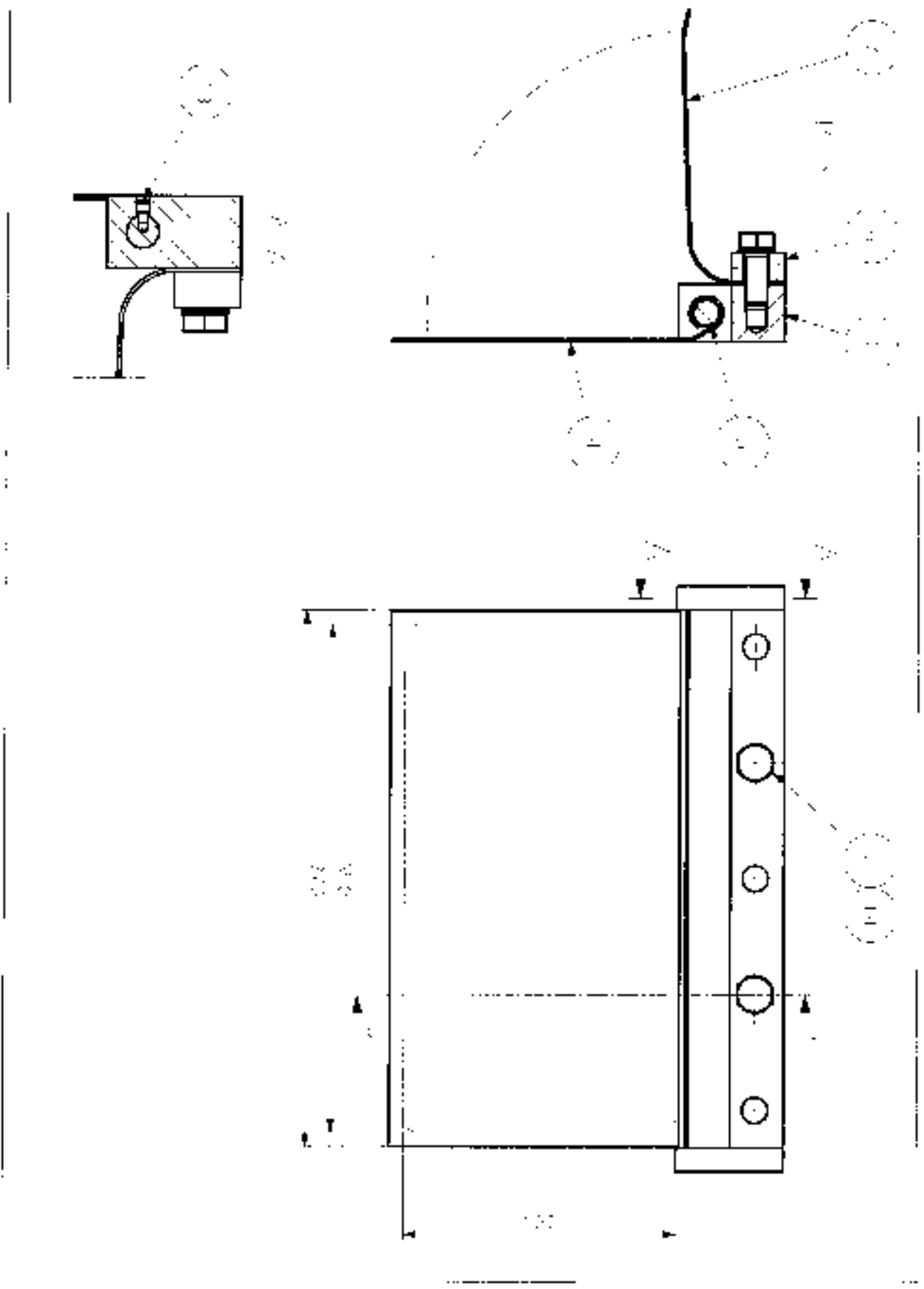


SHEET NO 512A

AUX. BLOWER PIPE ARR.

REG NO.	PART NAME
E	NON-RETURN VALVE
E 1	SUPPORT
E 4	VALVE FLAP
E 5	SHAFT
E 6	CLAMP
E 7	SPACING PLATE
E 8	BOLT
E 13	PIN
E 14	SHIM
G	NON-RETURN VALVE
G 1	SUPPORT
G 2	VALVE FLAP
G 3	SHAFT
G 4	PIN
G 5	SPACING PLATE
G 6	CLAMP
G 8	BOLT
G 9	WASHER
K	GUARD
12	BOLT
13	BOLT
141	SEALING RING

SHEET NO. 512AE NON-RETURN VALVE ARR.

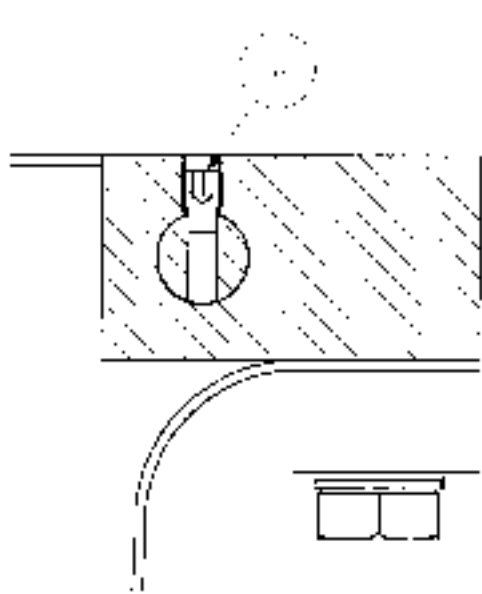


SHEET NO. 512A

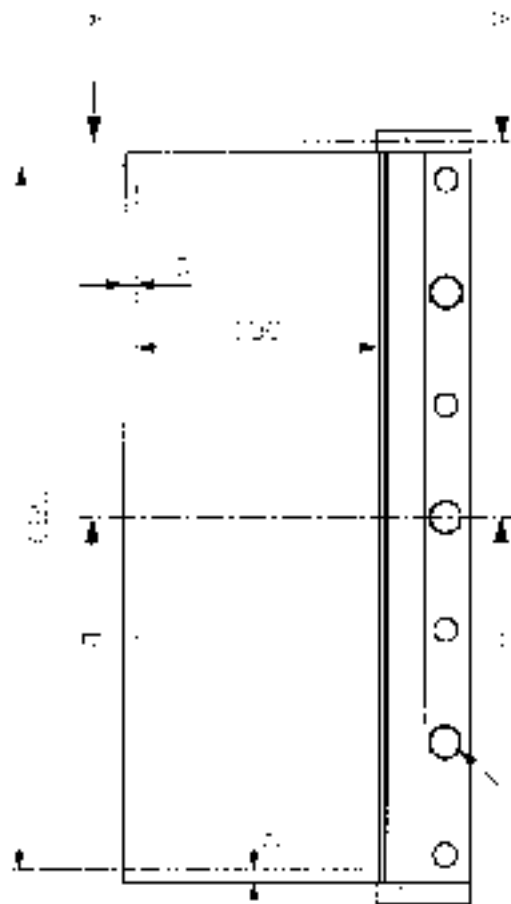
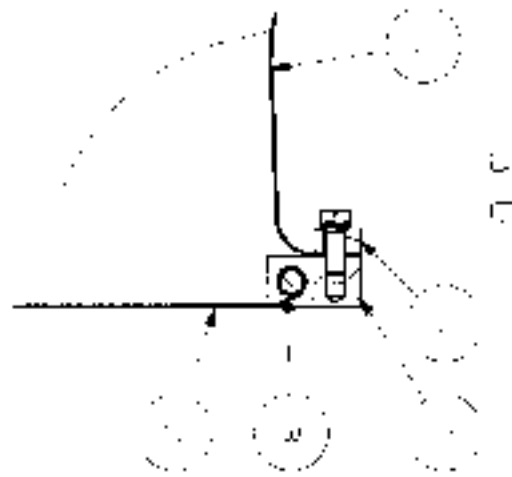
AUX. BLOWER PIPE ARR.

REG NO.	PART NAME
E	NON-RETURN VALVE
E 1	SUPPORT
E 4	VALVE FLAP
E 5	SHAFT
E 6	CLAMP
E 7	SPACING PLATE
E 8	BOLT
E 13	PIN
E 14	SHIM
G	NON-RETURN VALVE
G 1	SUPPORT
G 2	VALVE FLAP
G 3	SHAFT
G 4	PIN
G 5	SPACING PLATE
G 6	CLAMP
G 8	BOLT
G 9	WASHER
K	GUARD
12	BOLT
13	BOLT
141	SEALING RING

SHEET NO. 512AG NON-RETURN VALVE



6-7



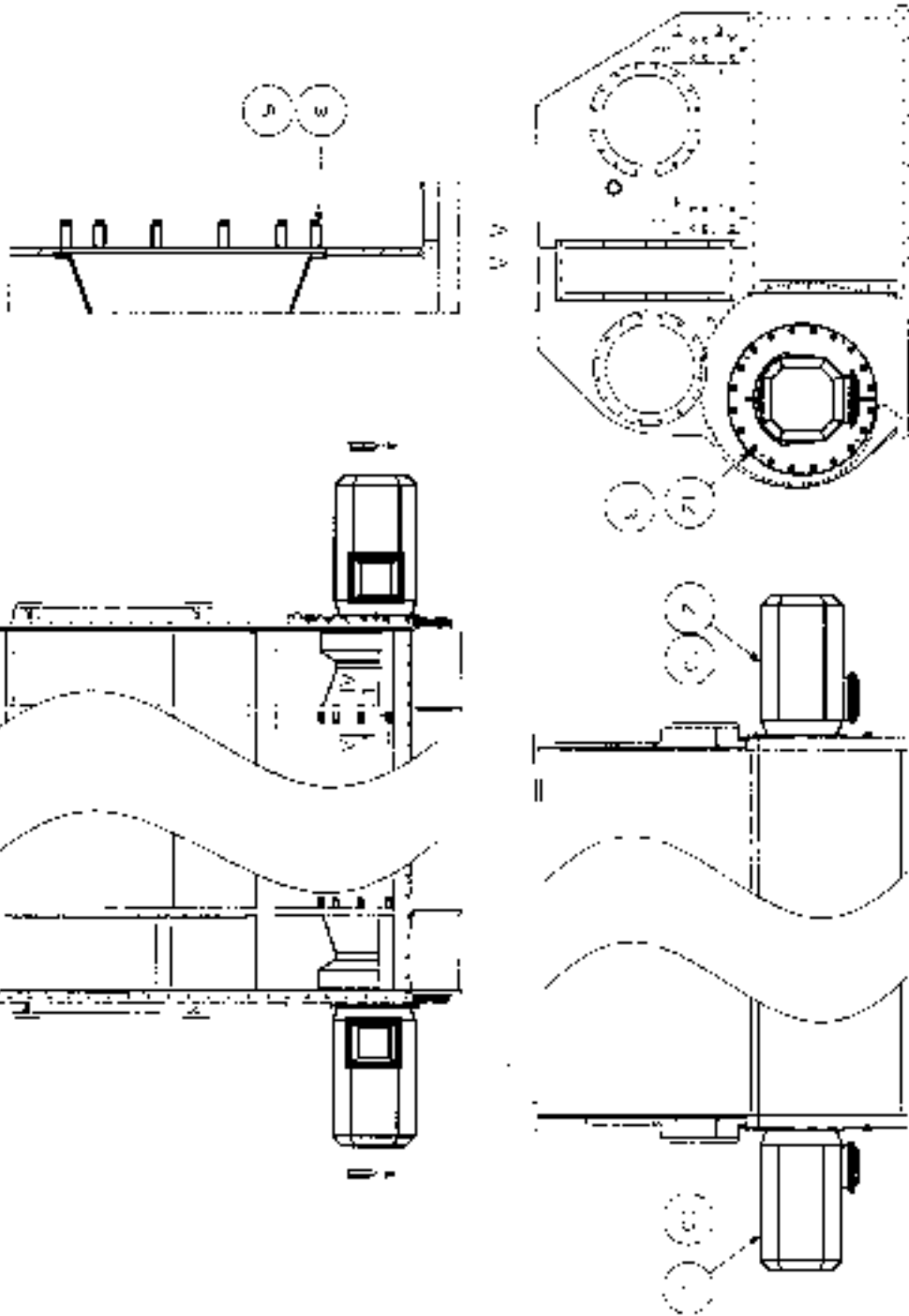
SHEET NO. 512A

AUX. BLOWER PIPE ARR.

REG NO.	PART NAME
E	NON-RETURN VALVE
E 1	SUPPORT
E 4	VALVE FLAP
E 5	SHAFT
E 6	CLAMP
E 7	SPACING PLATE
E 8	BOLT
E 13	PIN
E 14	SHIM
G	NON-RETURN VALVE
G 1	SUPPORT
G 2	VALVE FLAP
G 3	SHAFT
G 4	PIN
G 5	SPACING PLATE
G 6	CLAMP
G 8	BOLT
G 9	WASHER
K	GUARD
12	BOLT
13	BOLT
14	SEALING RING



SHEET NO.512B AUX.BLOWER PIPE ARR.



SHEET NO. 5126

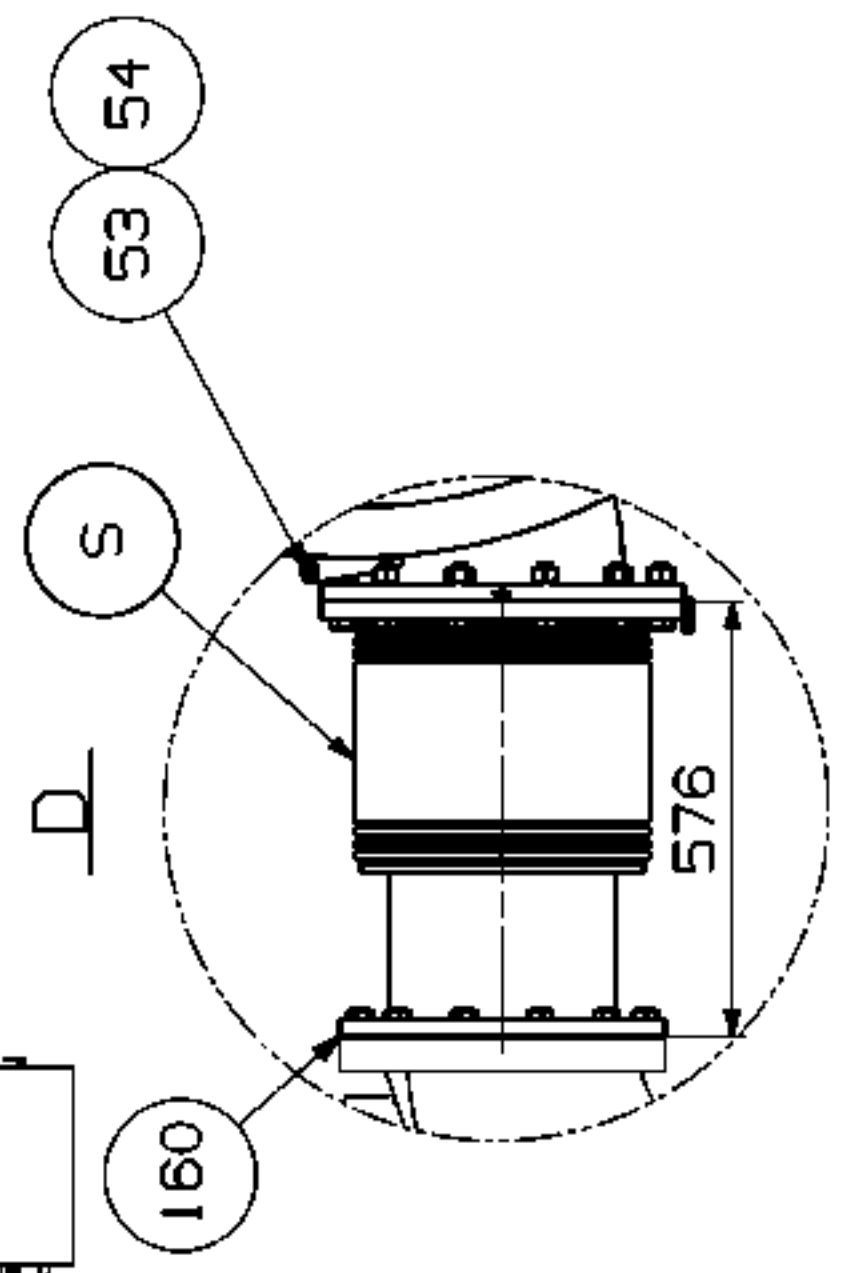
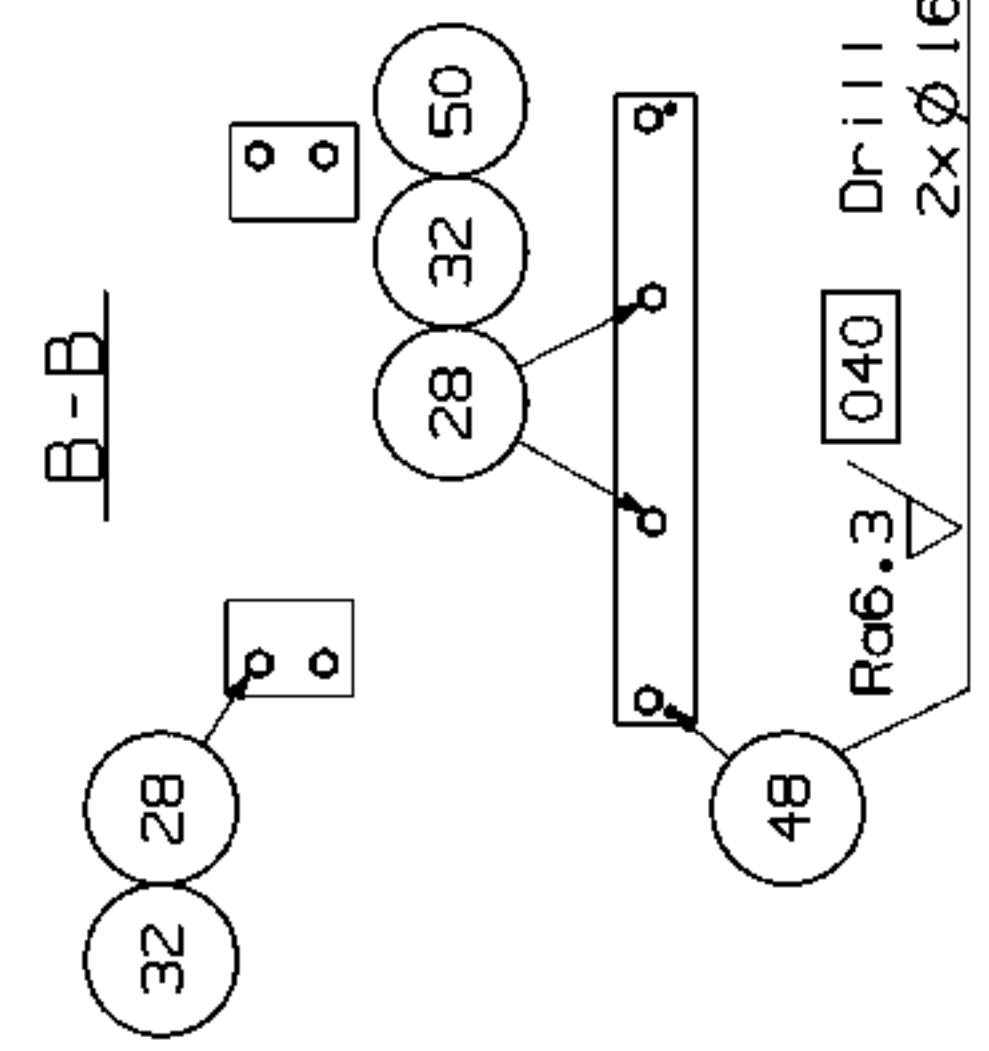
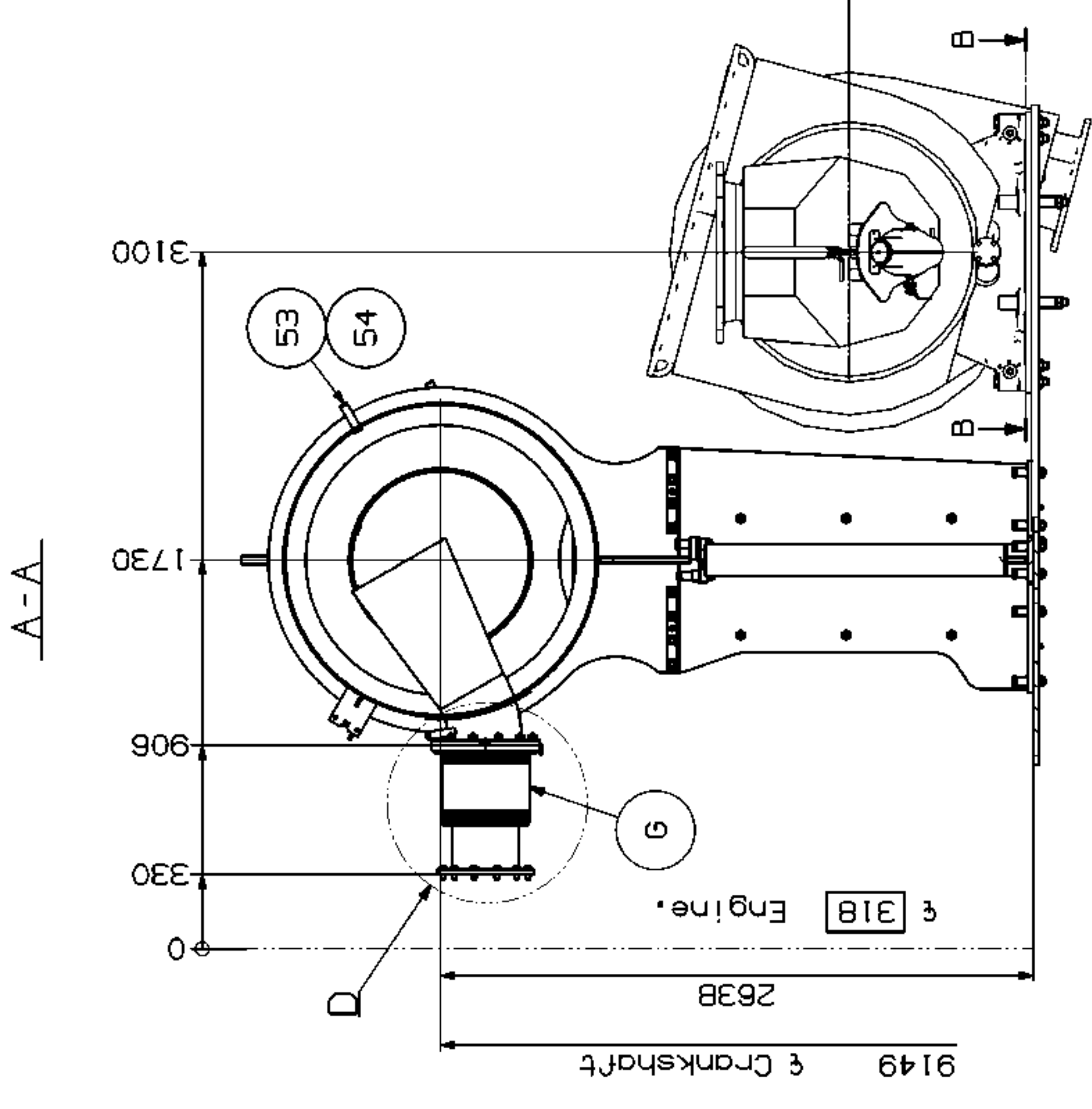
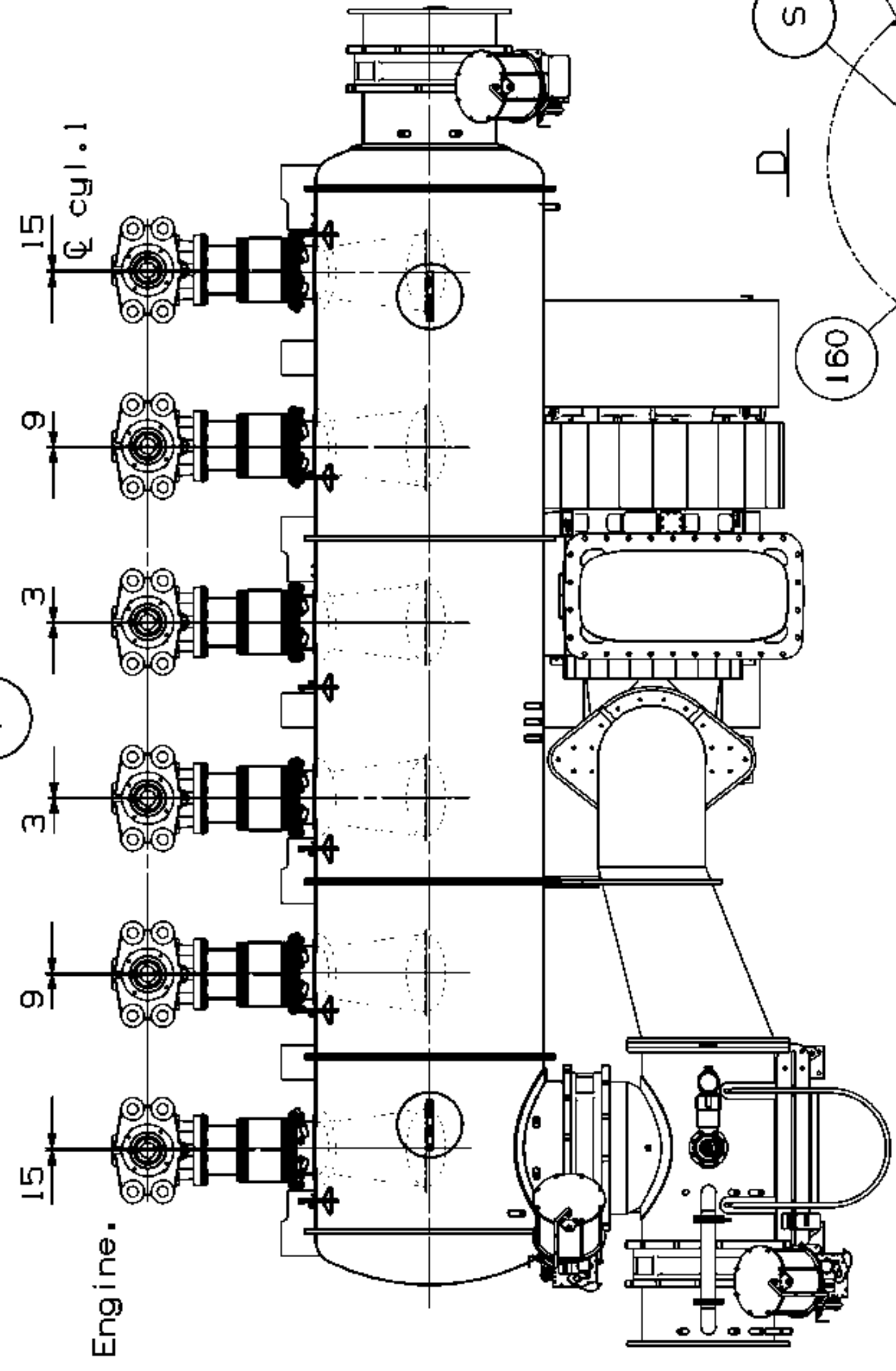
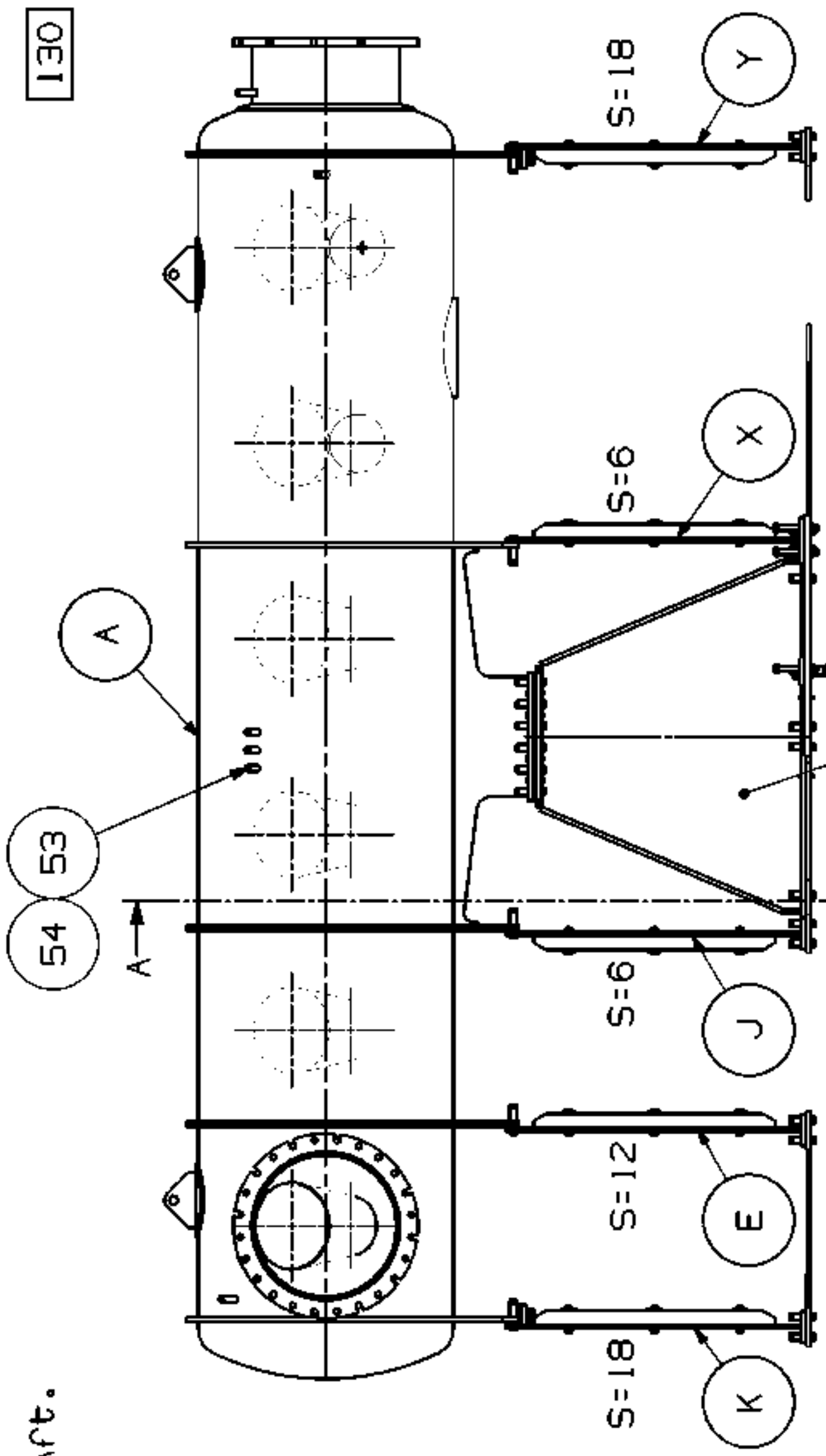
AUX. BLOWER ARR.

REG NO.	PART NAME
1	AUX. BLOWER
2	AUX. BLOWER
3	BOLT
5	DISTANCE PIPE
10	EL. MOTOR FOR AUX. BLOWER
12	BOLT
13	WASHER

SHEET NO. 522A EXHAUST RECEIVER

CAD Drawing - do not correct by hand - LB Drawing

130 Fore.



SHEET NO. 522A

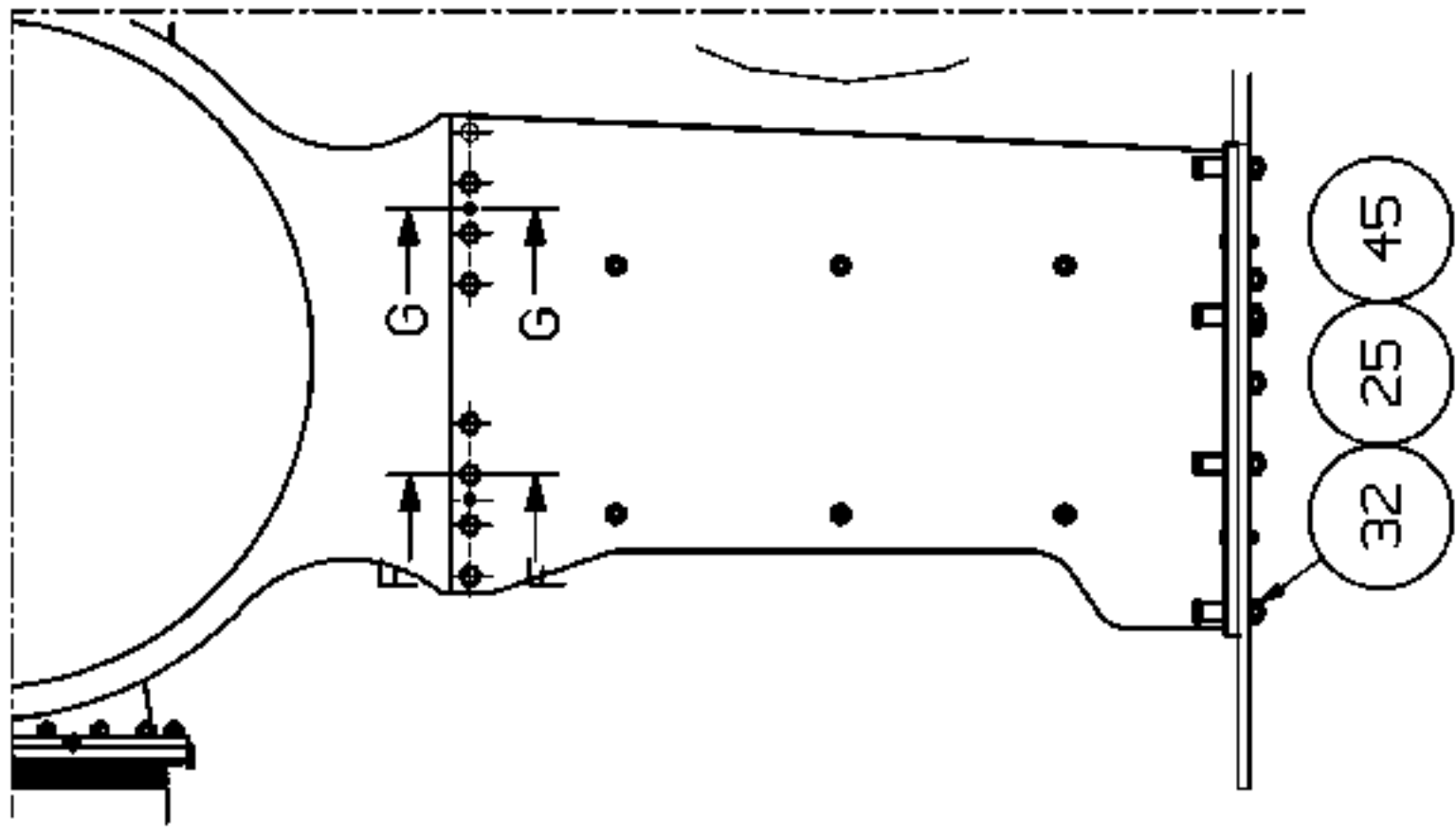
EXHAUST RECEIVER

REG NO.	PART NAME
A	EXHAUST RECEIVE COMPLETE
E	SUPPORT FOR EXH.REC.
G	PROTECTING COVER
J	SUPPORT FOR EXH.REC.
K	SUPPORT FOR EXH.REC.
P	SUPPORT FOR EXH.REC.
S	COMPENSATOR,GAS TYPE
X	SUPPORT FOR EXH.REC.
Y	SUPPORT FOR EXH.REC.
7	CLAMP
8	CLAMP
9	SPRING PLATE
21	SCREW
23	SCREW
24	SCREW
25	SCREW
27	SCREW
28	SCREW
32	NUT
34	NUT
35	NUT
38	GASKET
40	PIN
44	GASKET
45	DISTANCE PIPE
46	PIN
47	PIN
48	PIN
50	DISTANCE PIPE
53	PLUG SCREW
54	GASKET
95	NUT
59	SEALING MATERIAL

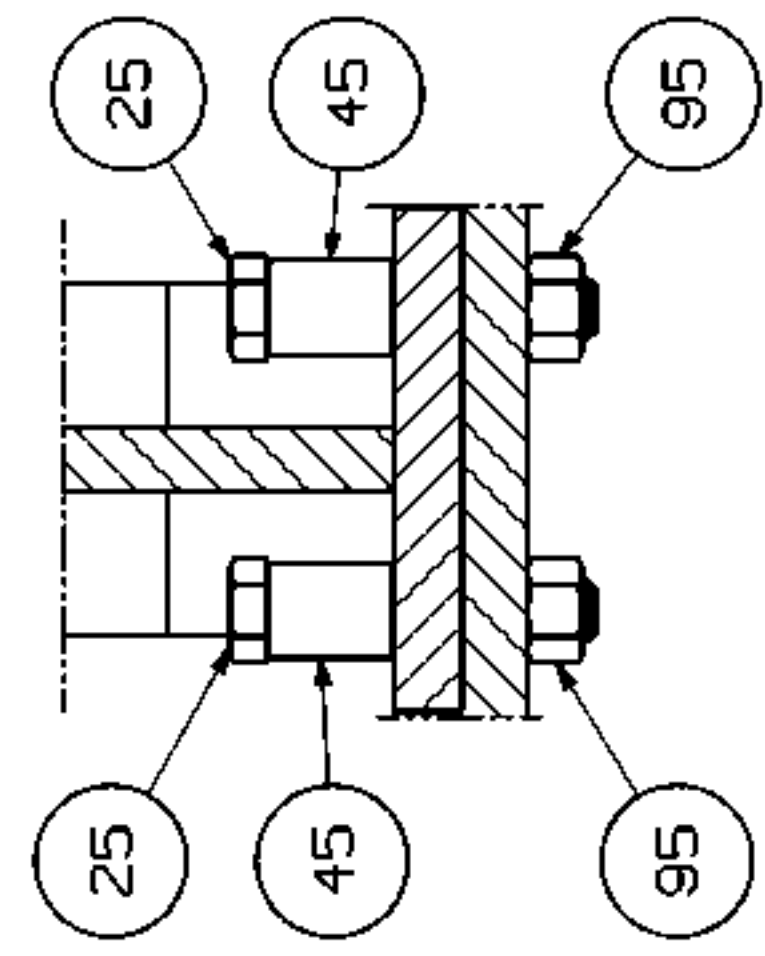
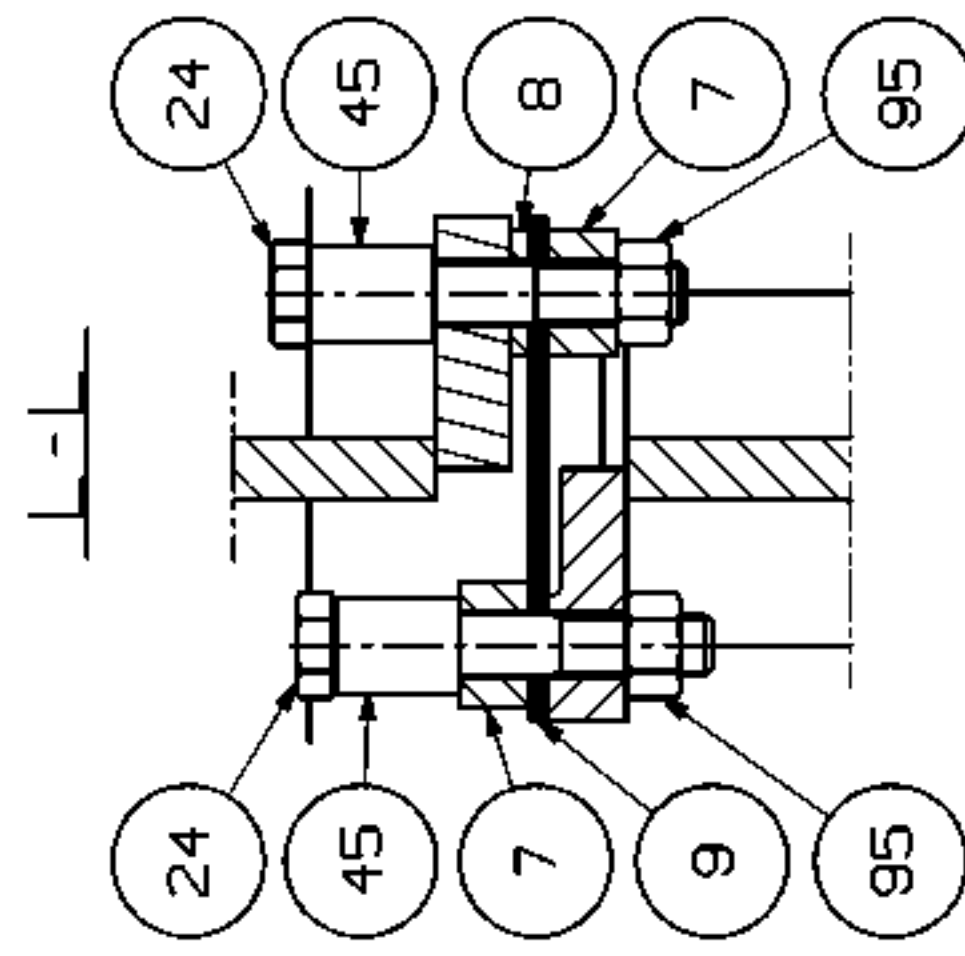
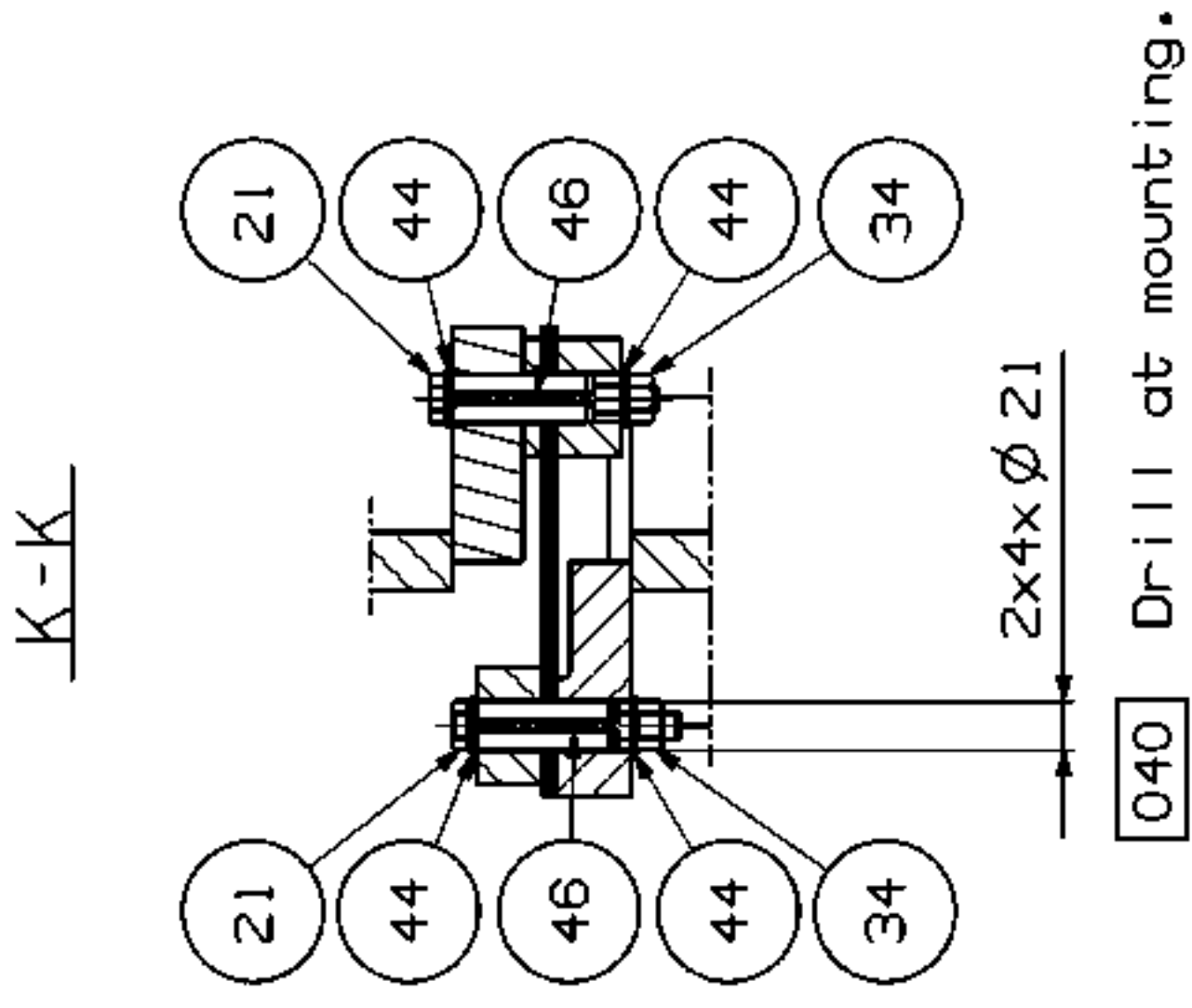
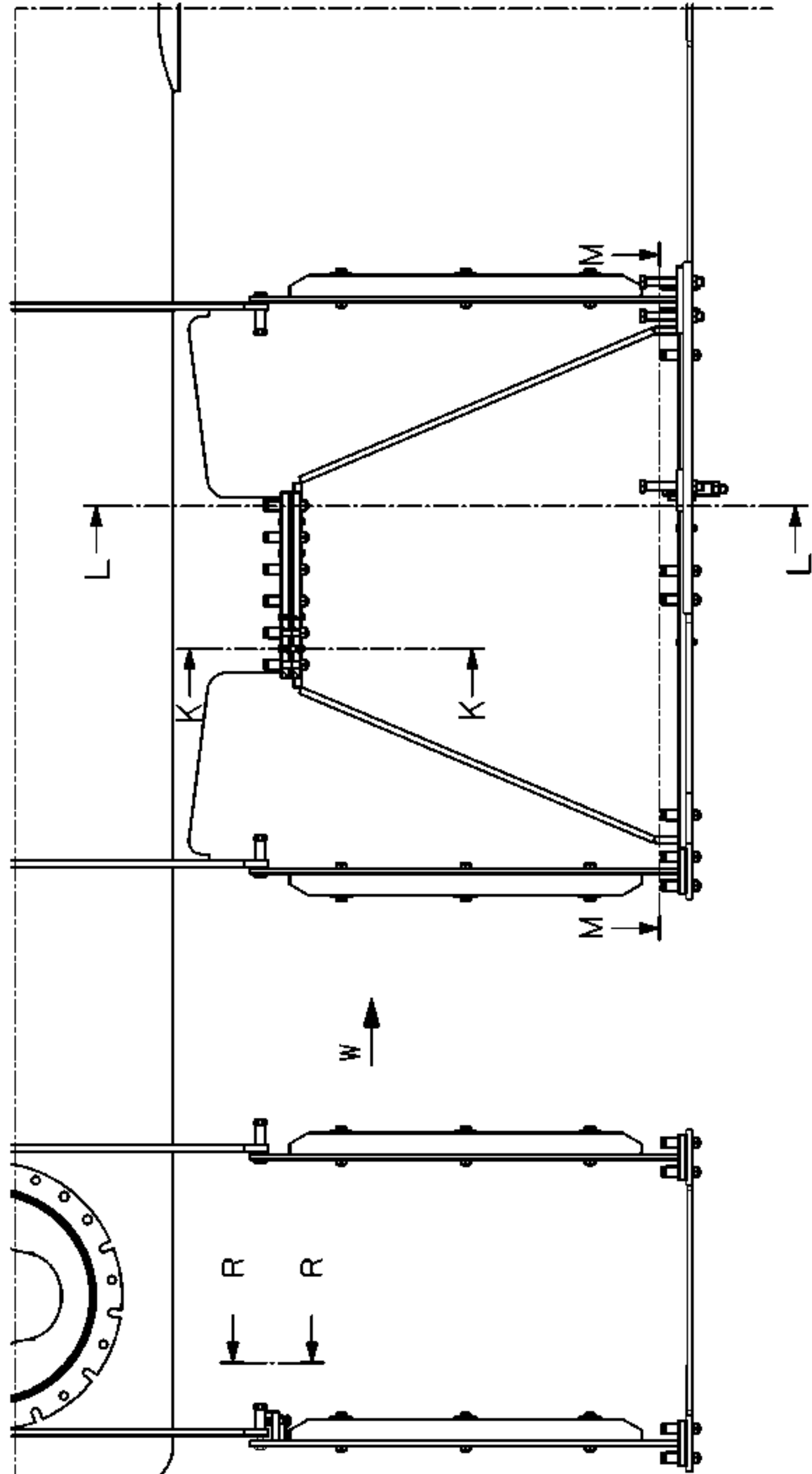
SHEET NO. 522A

EXHAUST RECEIVER

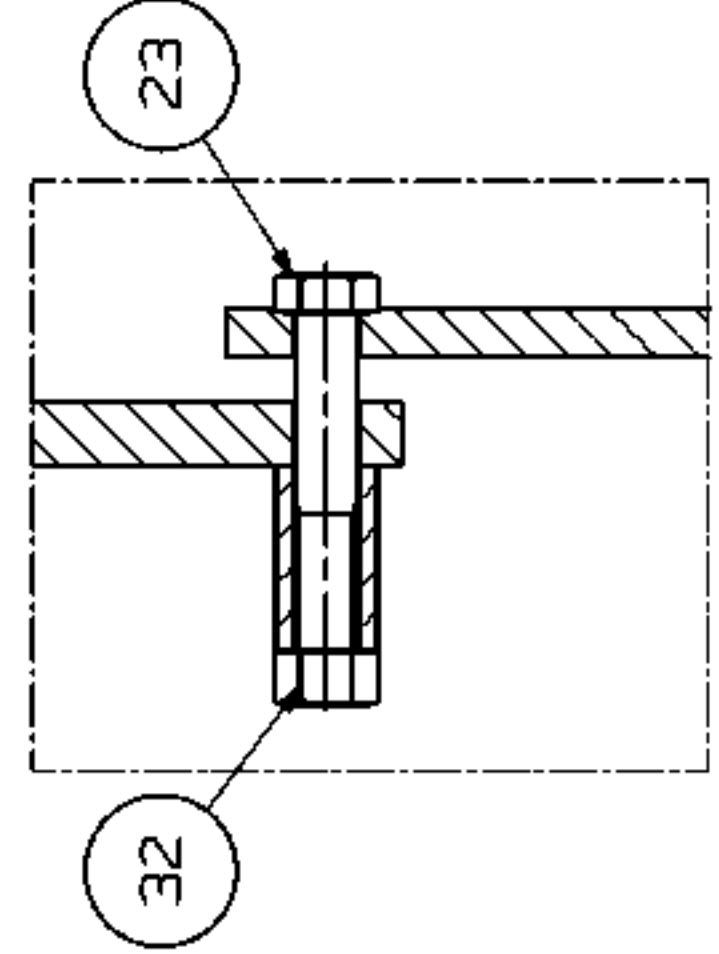
428 Viewed from W



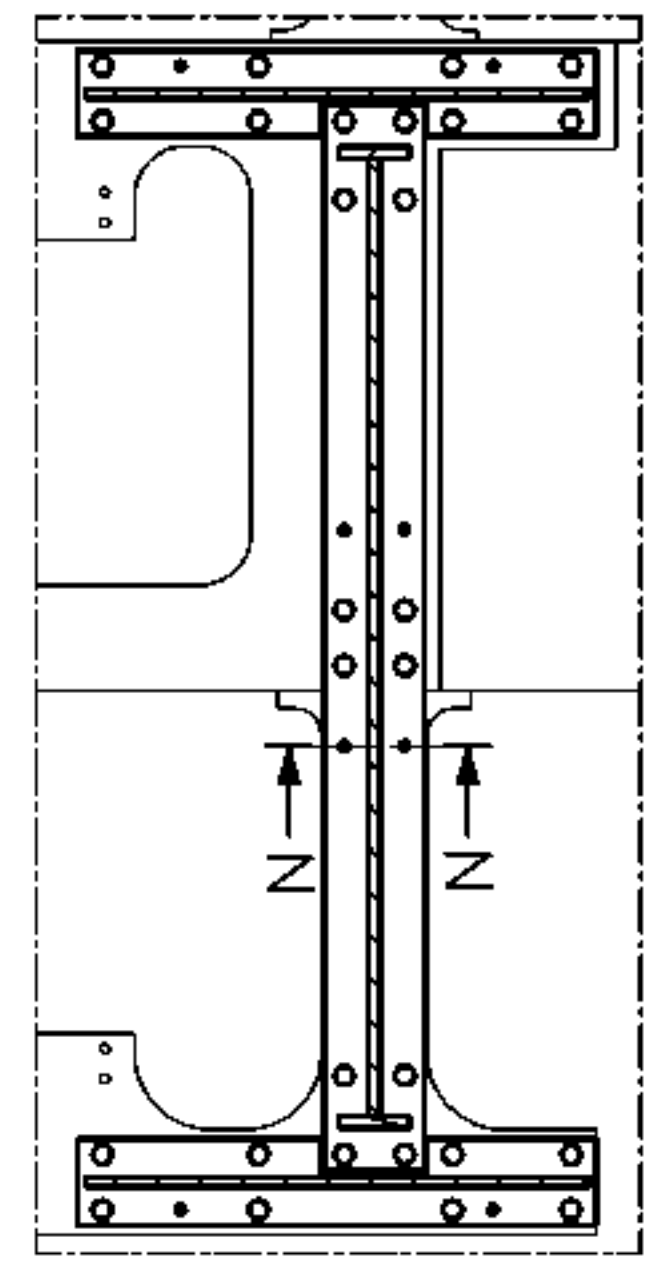
428 Viewed from V



F-F

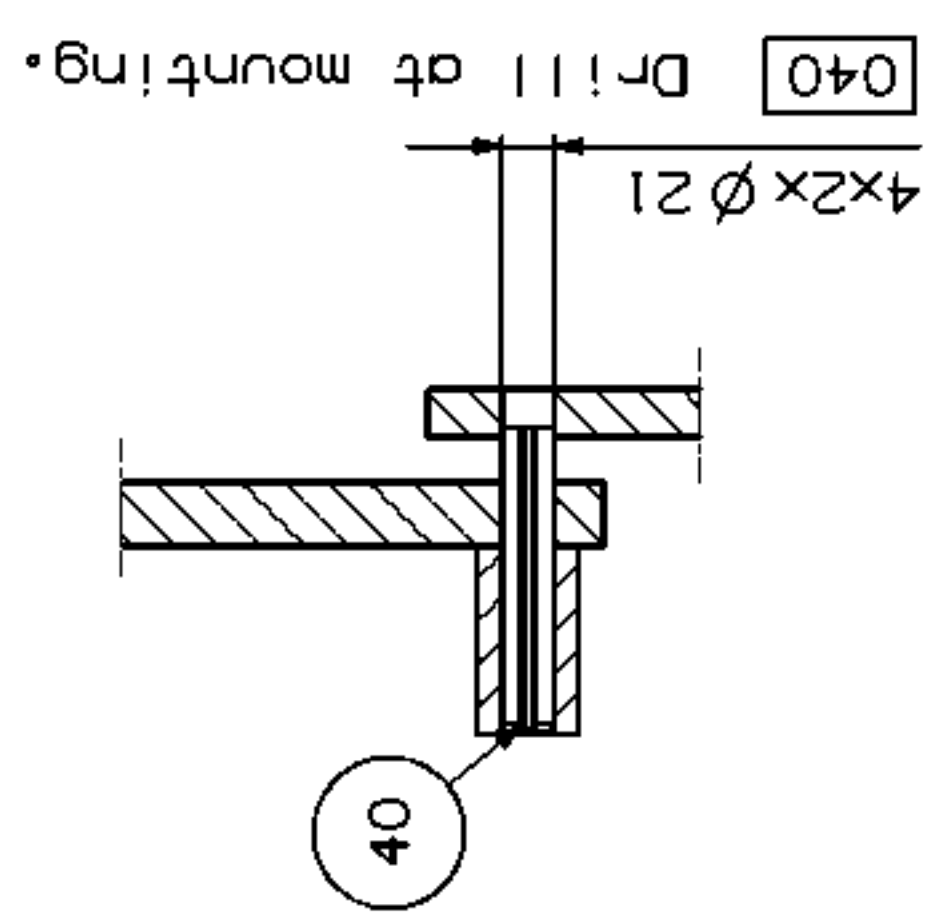


M-M

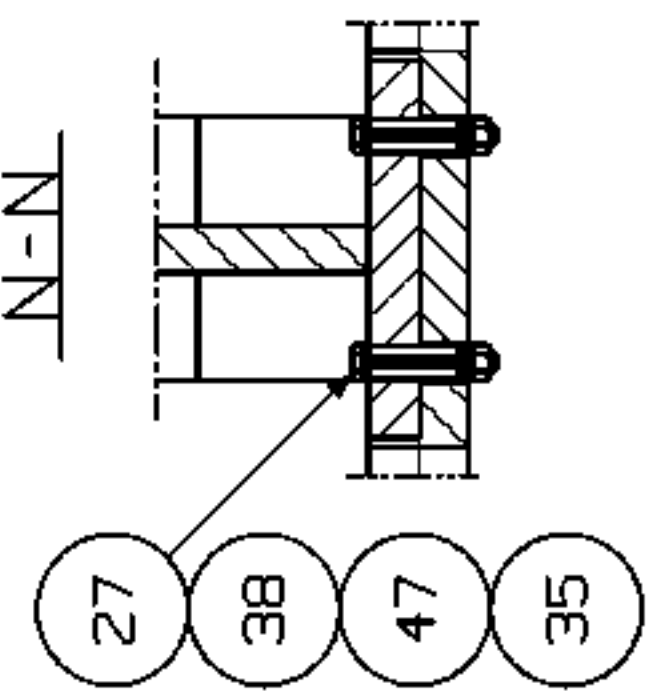


428 Viewed from E

G-G



N-N



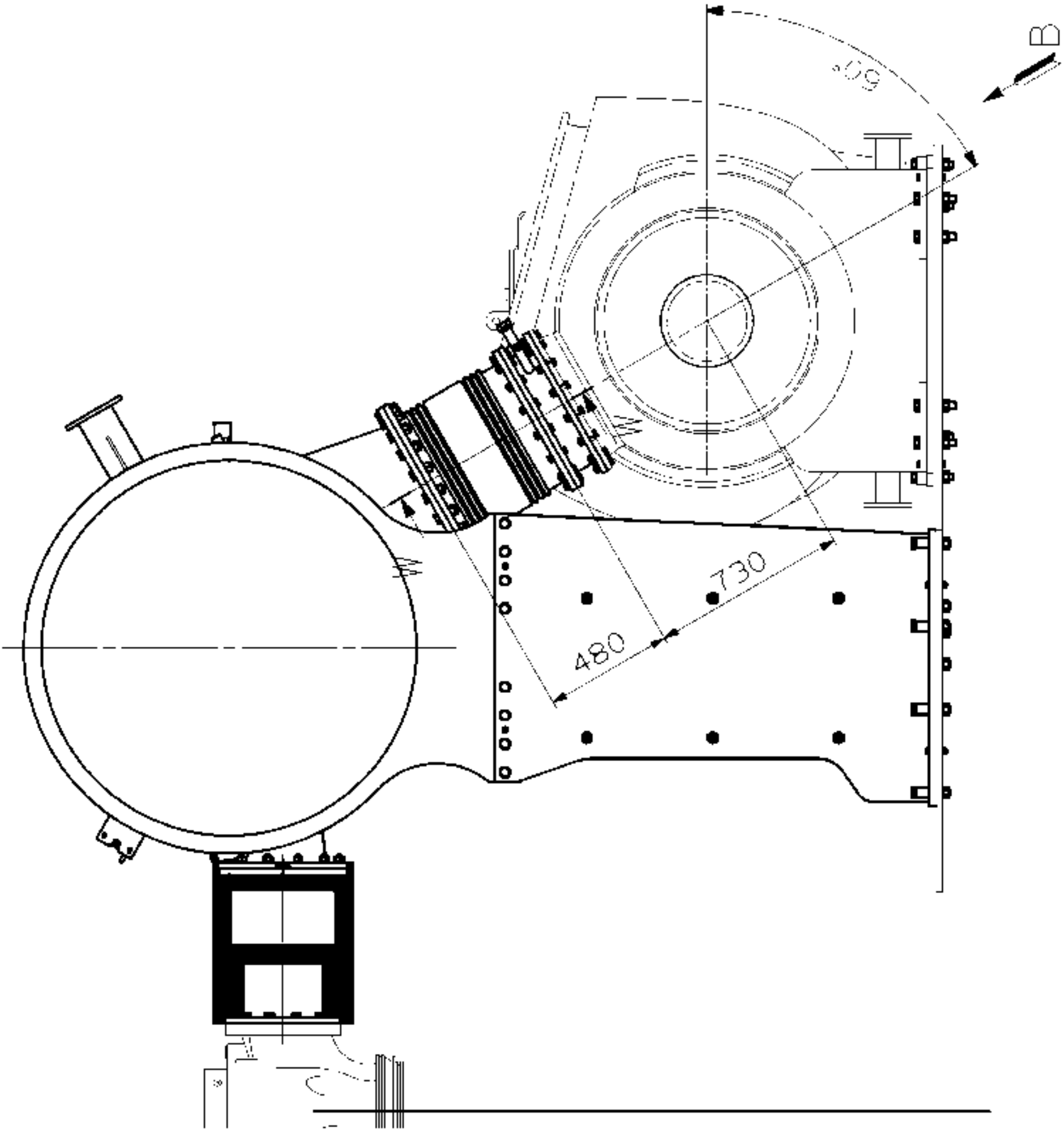
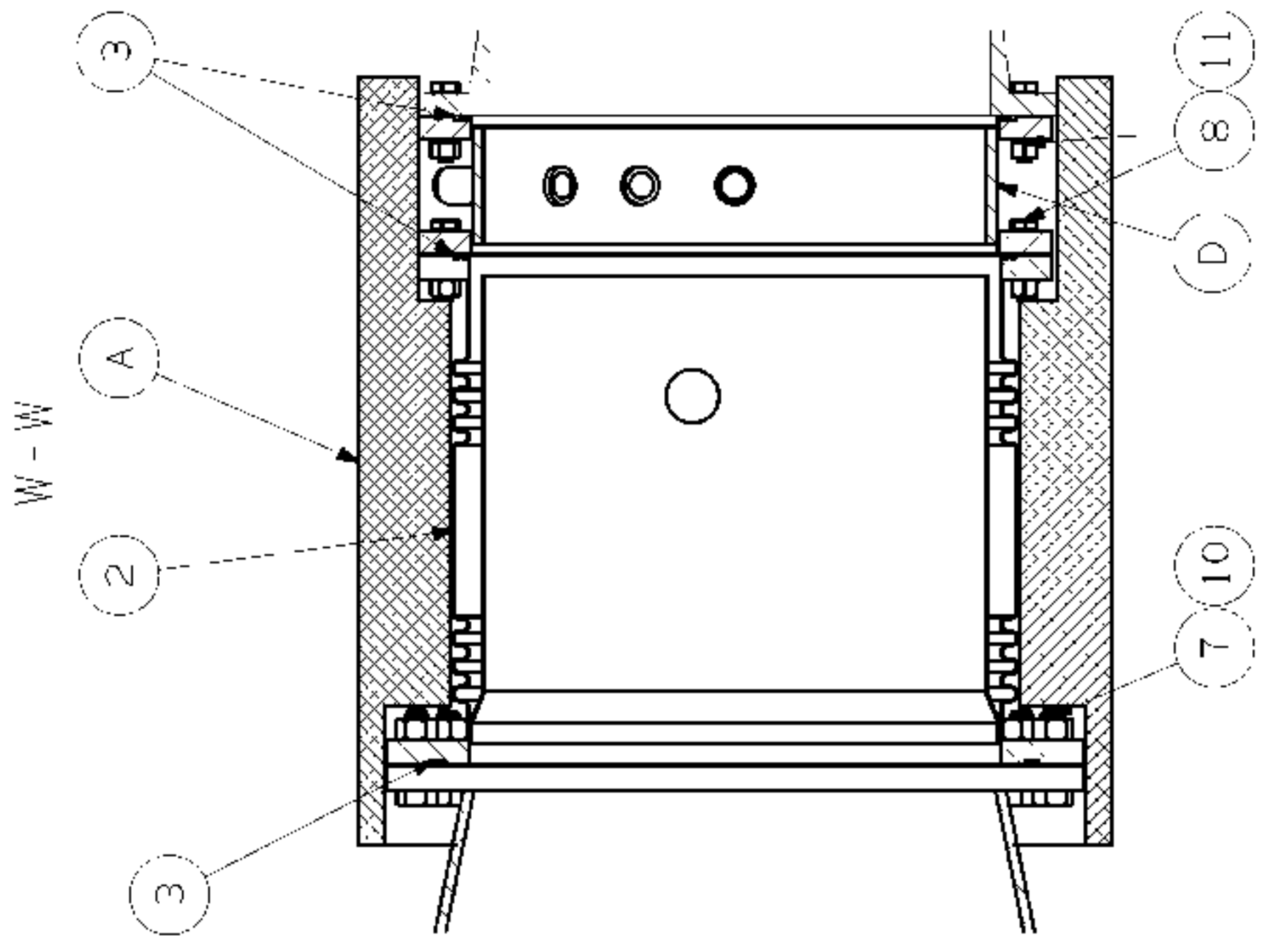
SHEET NO. 522A

EXHAUST RECEIVER

REG NO.	PART NAME
A	EXHAUST RECEIVE COMPLETE
E	SUPPORT FOR EXH.REC.
G	PROTECTING COVER
J	SUPPORT FOR EXH.REC.
K	SUPPORT FOR EXH.REC.
P	SUPPORT FOR EXH.REC.
S	COMPENSATOR,GAS TYPE
X	SUPPORT FOR EXH.REC.
Y	SUPPORT FOR EXH.REC.
7	CLAMP
8	CLAMP
9	SPRING PLATE
21	SCREW
23	SCREW
24	SCREW
25	SCREW
27	SCREW
28	SCREW
32	NUT
34	NUT
35	NUT
38	GASKET
40	PIN
44	GASKET
45	DISTANCE PIPE
46	PIN
47	PIN
48	PIN
50	DISTANCE PIPE
53	PLUG SCREW
54	GASKET
95	NUT
59	SEALING MATERIAL

SHEET NO. 522C T/C GAS INLET PIPE

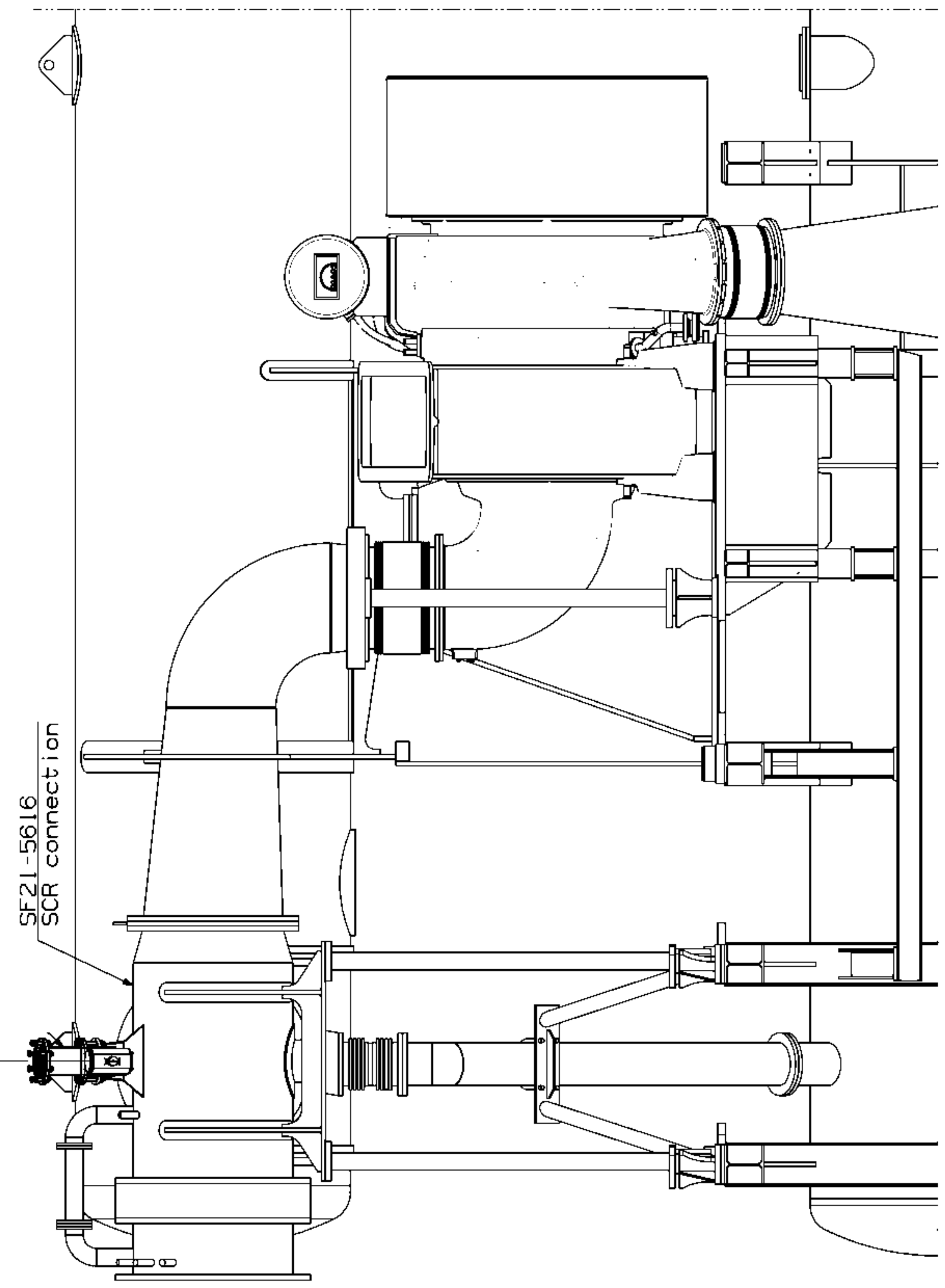
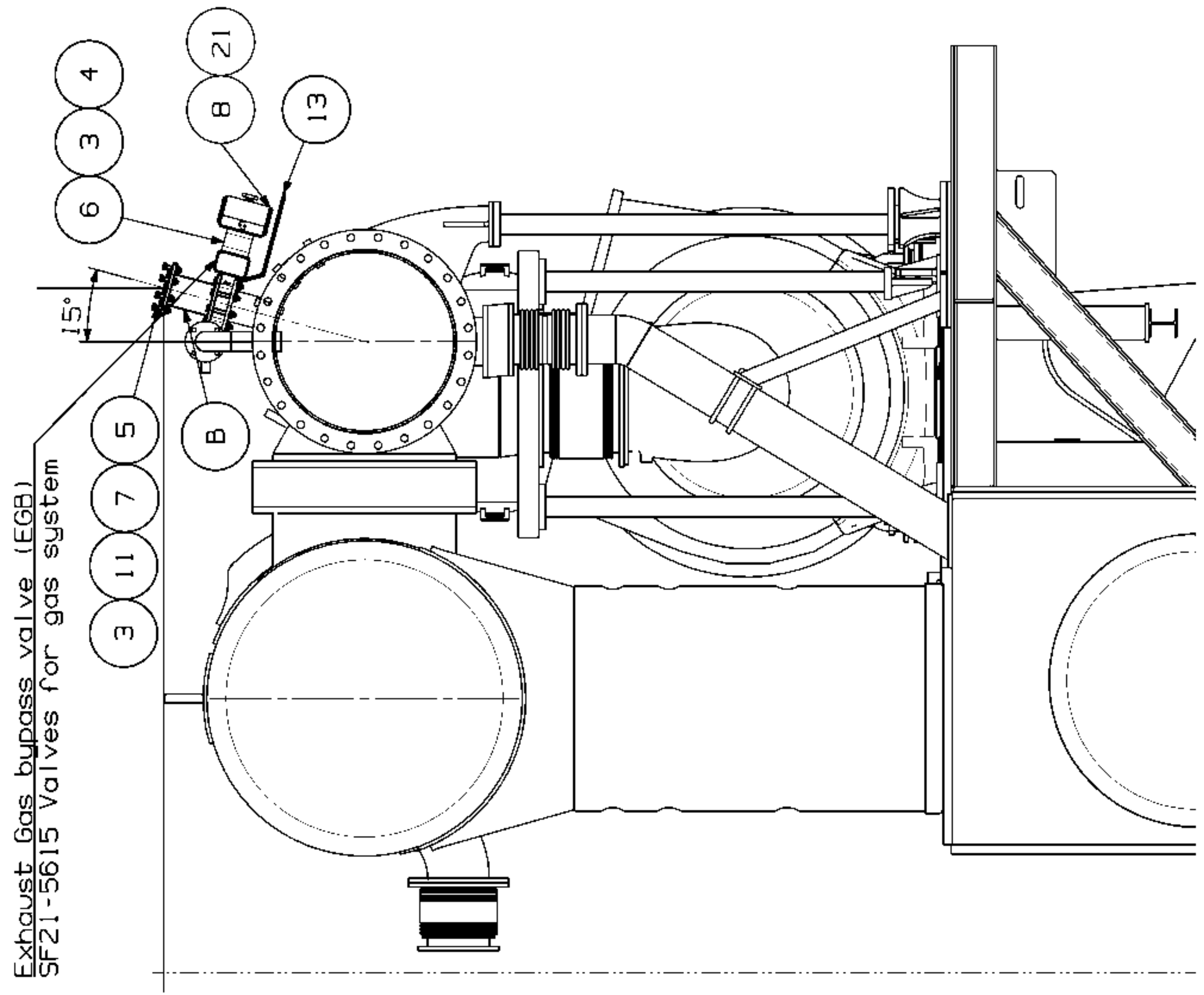
6-11-00 11:17 AM 11/11/00 11:17 AM



SHEET NO. 522C

T/C GAS INLET PIPE

REG NO.	PART NAME
A	PROTECTION PIPE
D	GAS INLET-BOLTED CONN.
2	COMPENSATOR GAS TYPE
3	GASKET
7	BOLT
8	BOLT
10	NUT
11	NUT

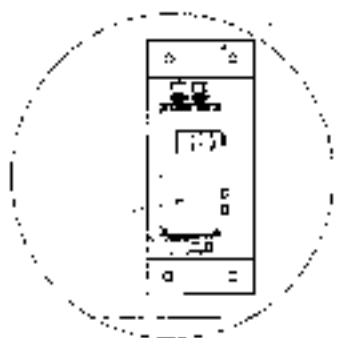
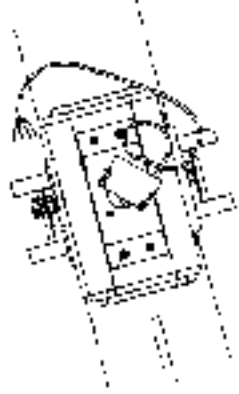
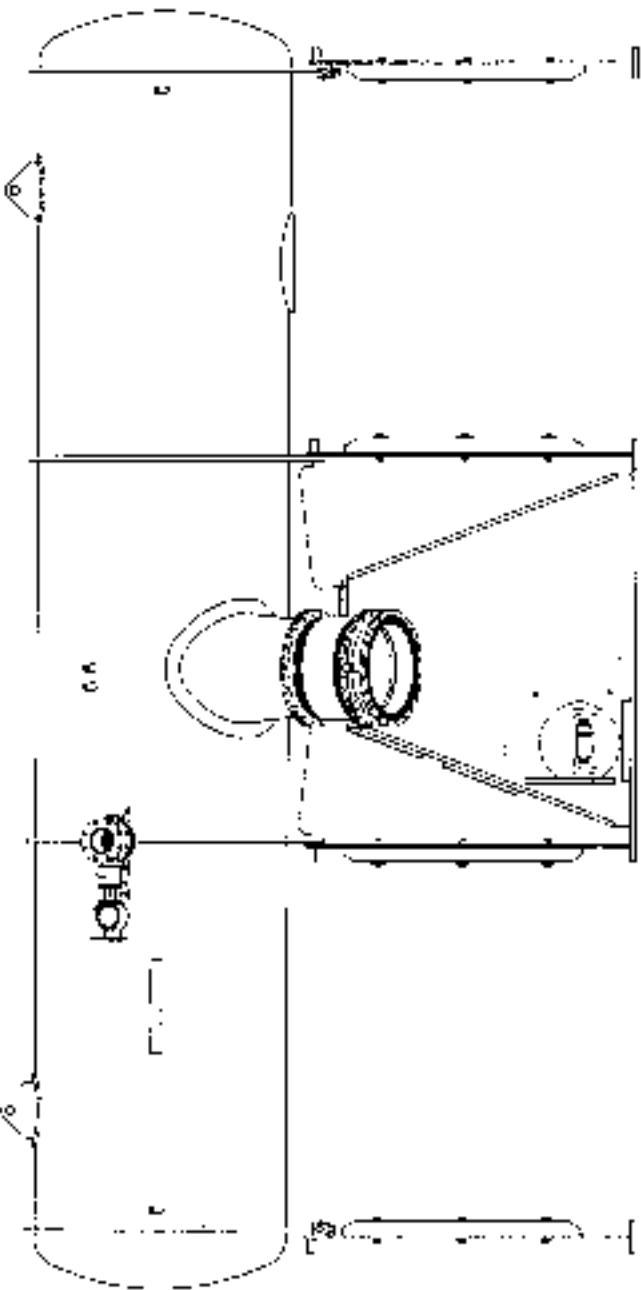
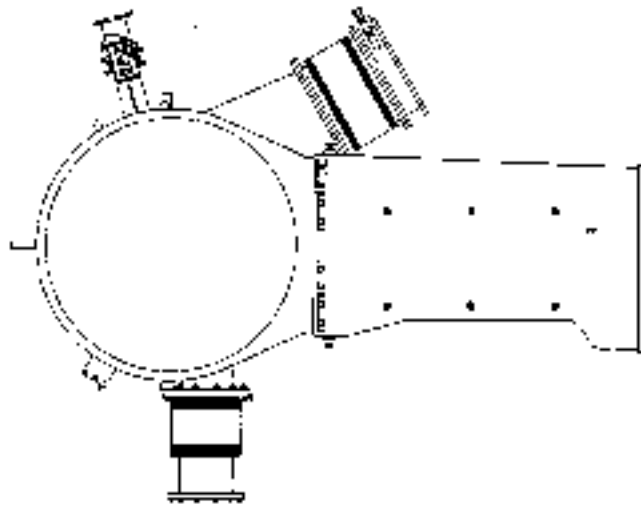


SHEET NO. 522J

EXHAUST BY-PASS

REG NO.	PART NAME
B	PIPE FOR BY-PASS
3	NUT
4	SEALING MATERIAL, ROUND
5	ORIFICE PLATE
6	SCREW
7	WASHER
8	VALVE WITH ACTUATOR
11	SCREW
13	PLATE
21	I/P CONVERTER

SHEET NO. 522K THE CONTROL OF EXHAUST BY-PASS



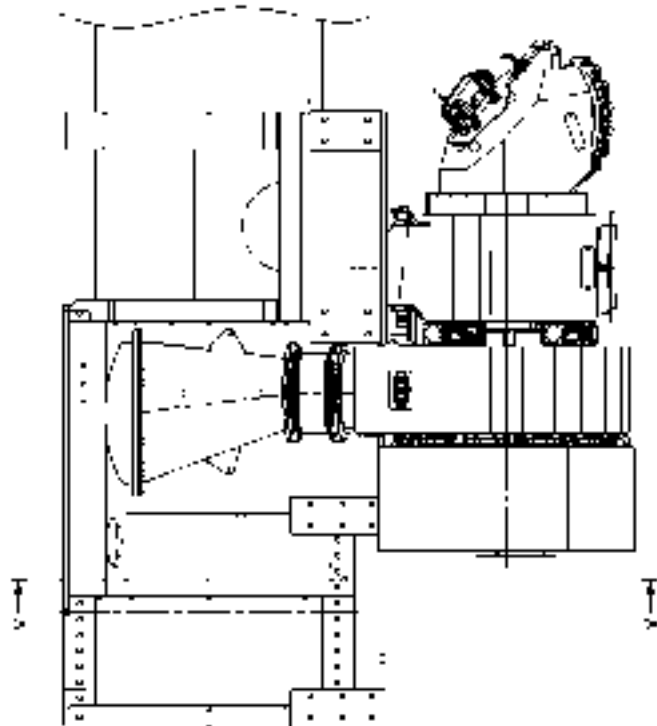
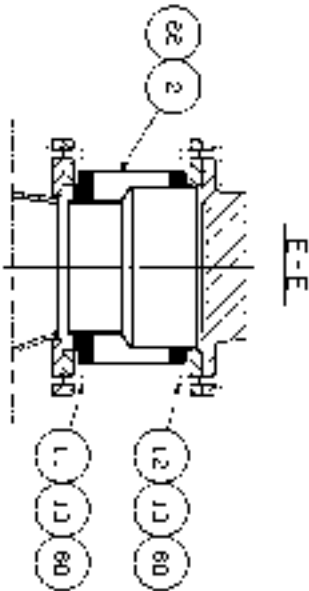
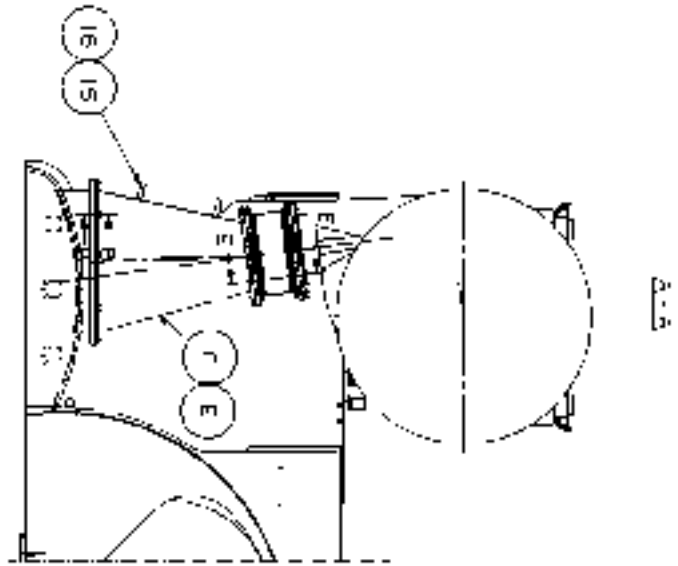
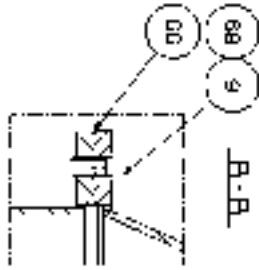
SHEET NO. 522K

THE CONTROL OF EXHAUST BY-PASS

REG NO	PART NAME
1	SUPPORT
2	SCREW
3	WASHER
4	WASHER
6	UP CONVERTER
6	SCREW
7	SCREW
8	WASHER
9	WASHER
14	PIPE CONNECTOR
15	SCREW
16	LOCKING WASHER
17	PIPE
18	SCREW
19	WASHER
20	WASHER
25	NAME PLATE



SHEET NO. 523A T/C AIR PIPE



6G60ME-C

SHEET NO. 523A

T/C ARR. PIPE

REG NO.	PART NAME
C	CHARGING AIR PIPE
E	PROTECTING AIR PIPE
2	COMPENSATOR GAS TYPE
9	BOLT
11	BOLT
12	BOLT
13	NUT
15	GASKET
16	PLUG SCREW
66	SEALANT
68	SEALANT

6G60ME-C

SHEET NO. 524Z

ARR. OF SCAV. AIR CONNECTING BOX

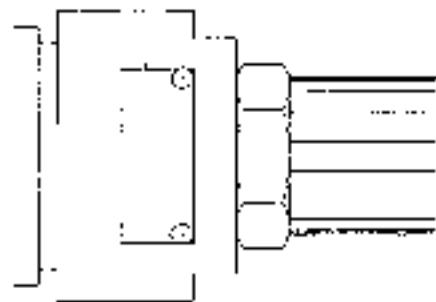
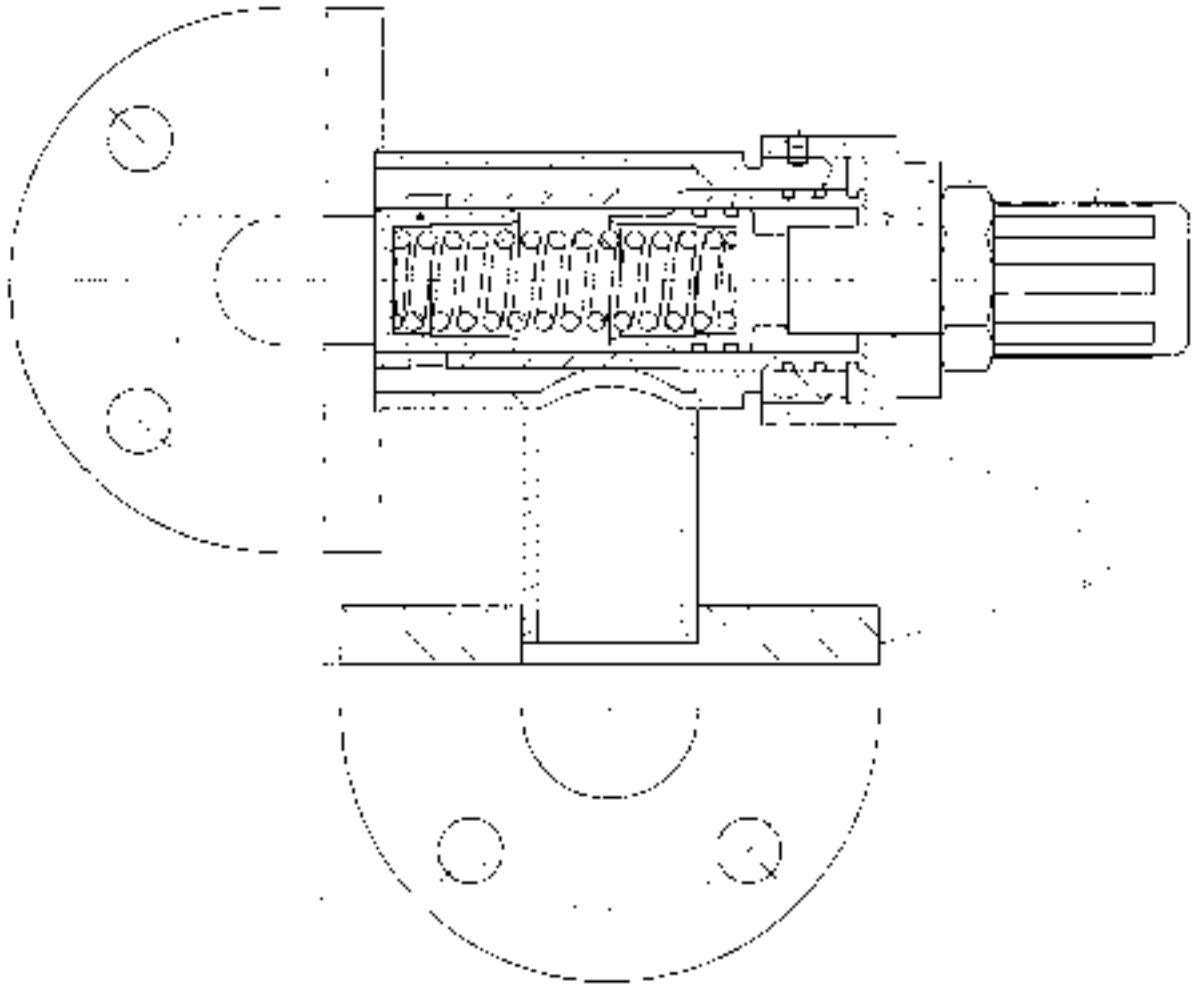
REG NO.	PART NAME
A	AIRFLOW REVERSING CHAMBER
B	AIR COOLER INSULATION
D	WATER MIST CATCHER
G	AIR COOLER FRAME
2	AIR COOLER INSERT
8	BOLT
15	BOLT
16	BOLT
17	BOLT
18	NUT
19	BOLT
29	PLATE
31	AIR COOLING HOUSING SEALING
40	PLATE
44	PLATE
50	COVER
51	COVER
52	COVER
53	DRAIN PIPE
60	BOLT
61	NLT
62	DISTANCE PIPE
63	DISTANCE PIPE
64	BOLT
73	WASHER
86	O-RING
89	DISTANCE PIPE
90	BOLT
91	DISTANCE PIPE
93	BOLT
94	WASHER
95	DISTANCE PIPE
96	PIPE
97	CLAMP
98	WASHER
99	BOLT
100	SEALING RING

SHEET NO. 53:B

STARTING AIR BRANCH PIPE

REG NO.	PART NAME
B	STARTING AIR PIPE
C	STARTING AIR PIPE
D	BURSTING CAP, COMPLETE
DA	BURSTING CAP, COVER
D 4	BOLT
D 5	BOLT
D 6	GASKET
D 10	HOUSING
D 11	PLATE
D 12	WING NUT
D 13	STUD
4	RUPTURE DISK
5	BOLT
6	NUT
9	BOLT
10	GASKET
12	BOLT
13	NUT
14	GASKET

SHEET NO. 533FA FUEL OIL REGULATION VALVE

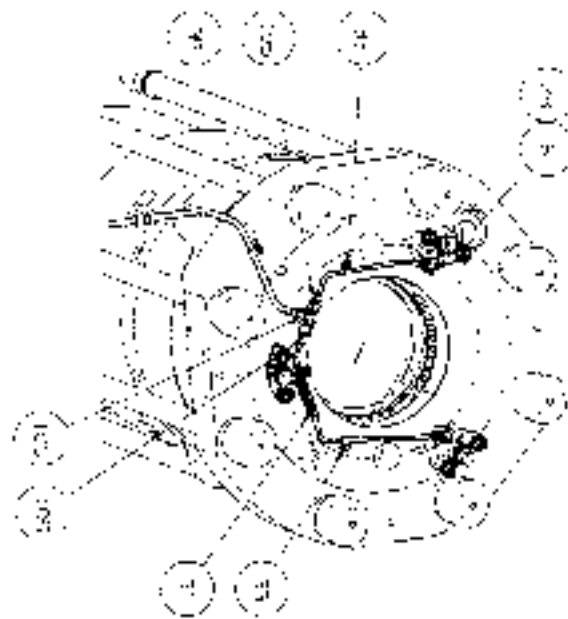
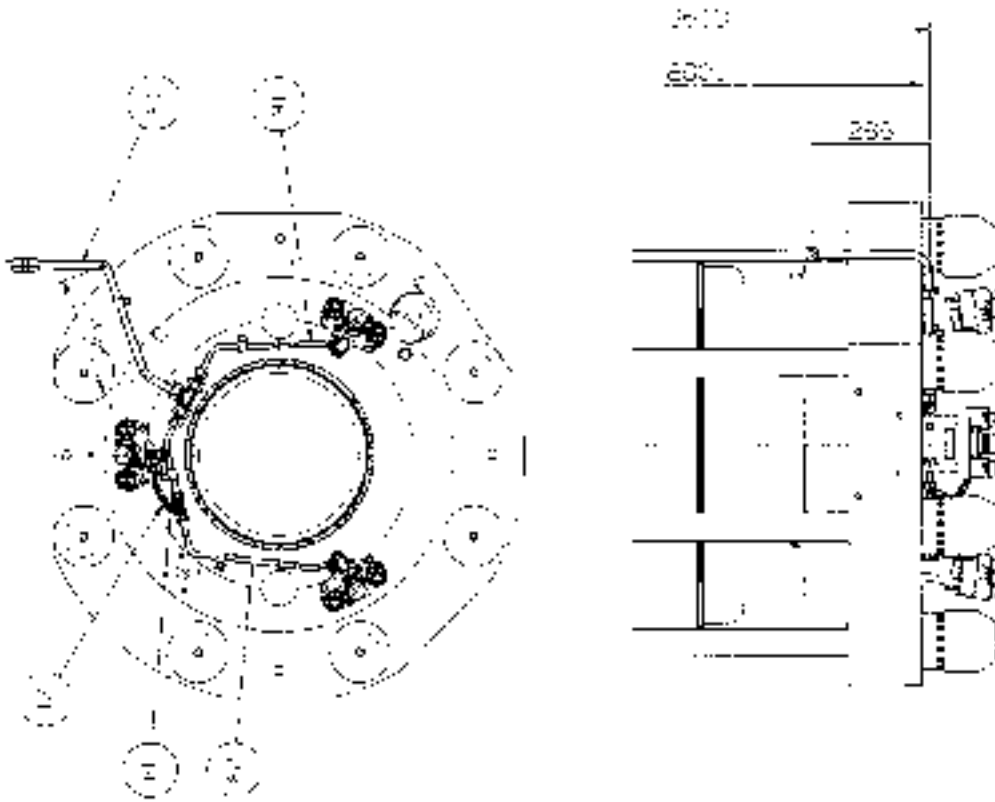


SHEET NO 530F

FUEL OIL REGULATION VALVE

REG NO.	PART NAME
A	VALVE HOUSING
1	SPRING GUIDE
2	PISTON
3	SPRING
5	VALVE HOUSING
6	VALVE COVER
7	BOLT
8	NUT
9	SEALING RING
10	SEALING RING
11	NAME PLATE
12	RIVET
13	PROTECTION CAP

SHEET NO. 533K THE DRAIN PIPE OF FUEL VALVE



SHEET NO 533K

THE DRAIN PIPE OF FUEL VALVE

REG NO	PART NAME
8	SHIM
13	PIPE
14	PIPE
16	PIPE
21	PIPE
23	PIPE
26	PIPE UNION
31	PIPE UNION
33	SUPPORT
35	SUPPORT
105	PIPE UNION
108	PIPE UNION

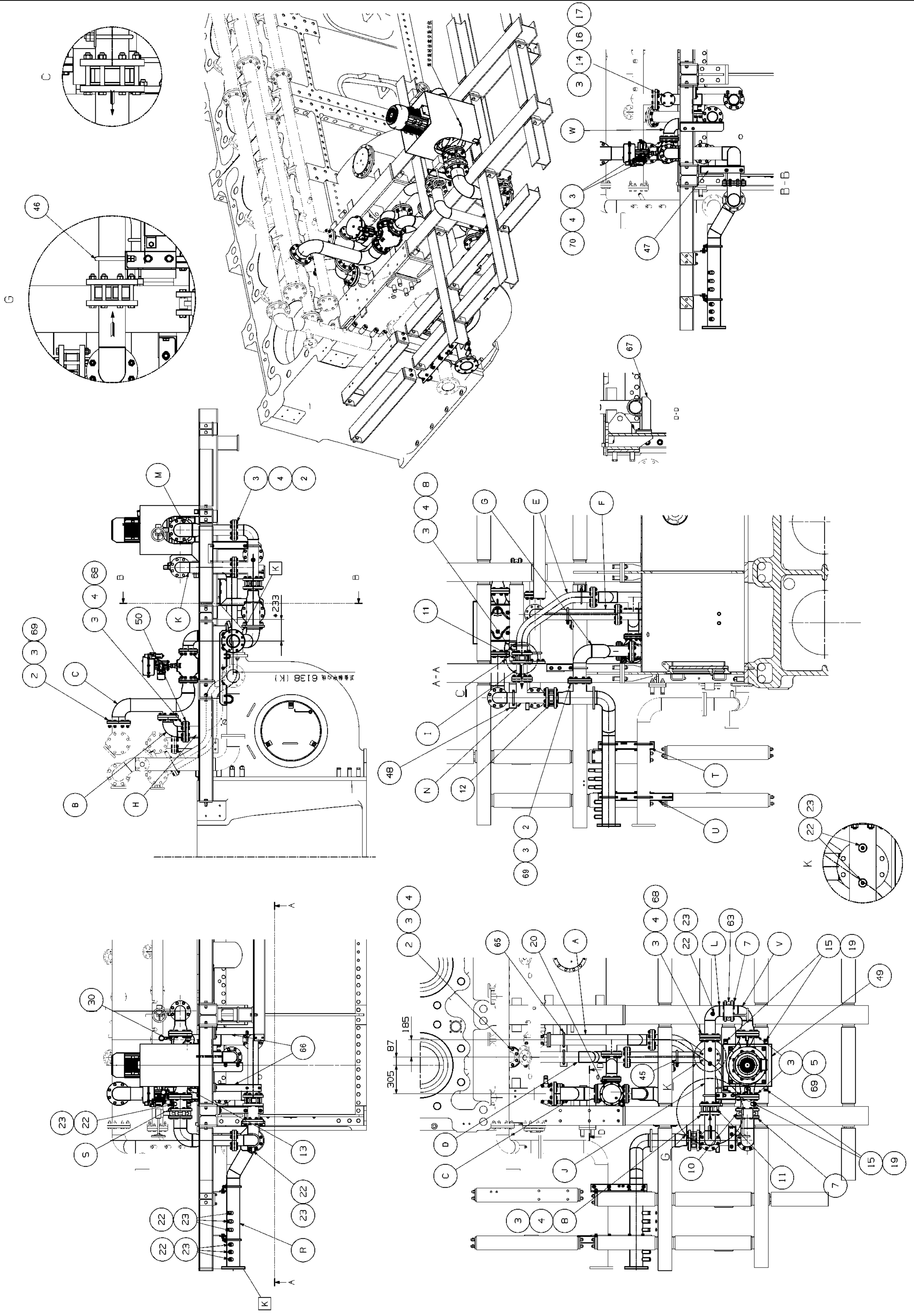


SHEET NO. 538D

FRESHWATER PIPE OUTLET

REG NO.	PART NAME
A	FRESHWATER OUTLET BRANCH PIPE
B	FRESHWATER OUTLET BRANCH PIPE
4	BUTTERFLY VALVE
8	BOLT
9	BOLT
11	NUT
14	WASHER
16	WASHER
18	PLUG SCREW
24	ORIFICE PLATE

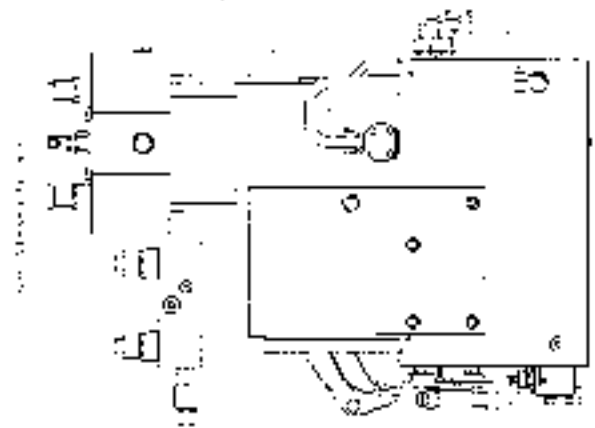
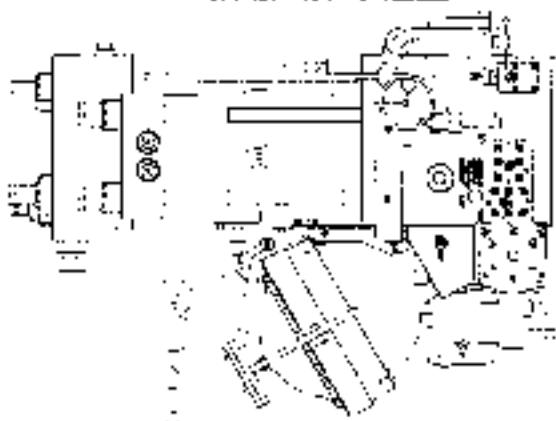
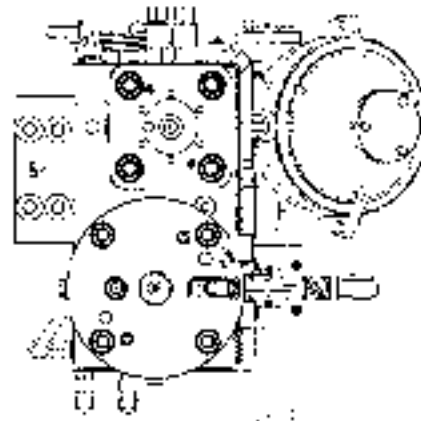
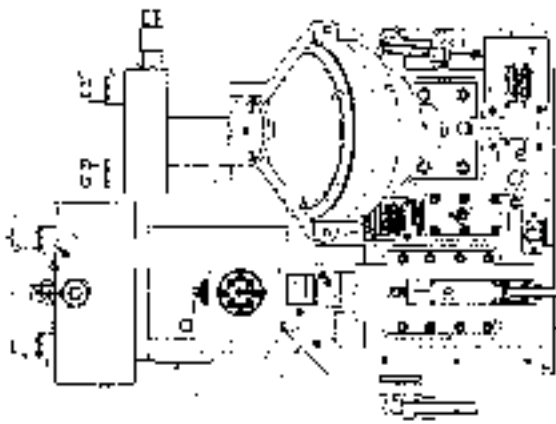
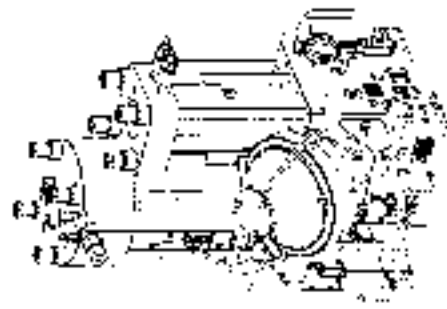
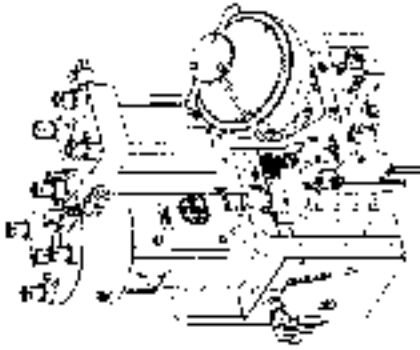
SHEET NO. 538Z LDCL PIPE



LDCL PIPE

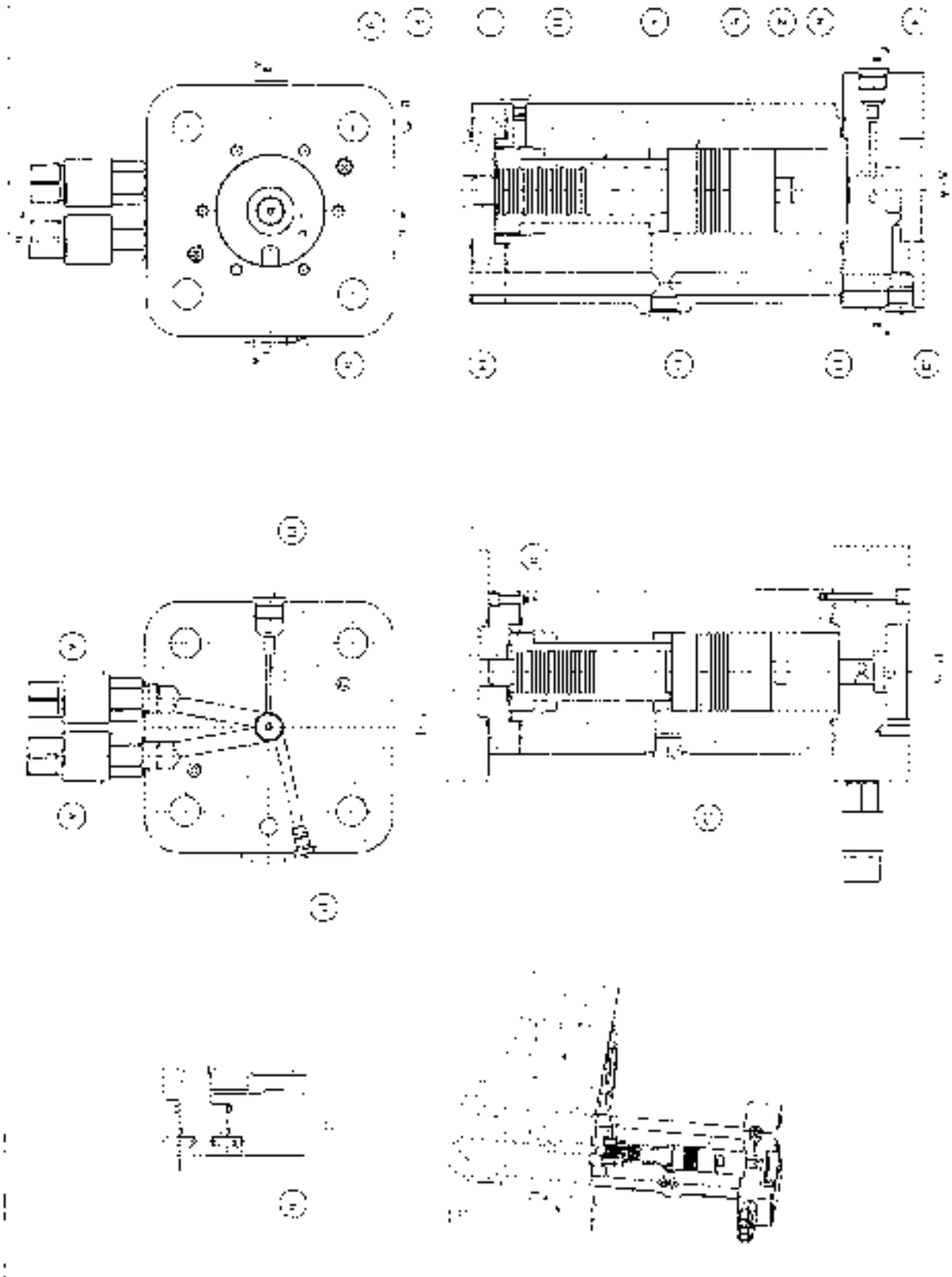
REG NO.	PART NAME	REG NO.	PART NAME
A	LDCL PIPE	70	SCREW
B	LDCL PIPE		
C	LDCL PIPE		
D	LDCL PIPE		
E	LDCL PIPE		
F	LDCL PIPE		
G	LDCL PIPE		
H	LDCL PIPE		
I	LDCL PIPE		
J	LDCL PIPE		
K	LDCL PIPE		
L	LDCL PIPE		
M	LDCL PIPE		
N	LDCL PIPE		
O	LDCL PIPE		
P	LDCL PIPE		
Q	SUPPORT		
R	SUPPORT		
S	LDCL PIPE		
T	LDCL PIPE		
U	LDCL PIPE		
V	LDCL PIPE		
W	LDCL PIPE		
2	SCREW		
3	NUT		
4	WASHER		
5	SCREW		
7	SCREW		
8	SCREW		
10	BUTTERFLY VALVE		
11	NON-RETURN VALVE		
12	NON-RETURN VALVE		
13	PUMP		
14	SCREW		
15	NUT		
16	WASHER		
17	FLANGE		
19	SCREW		
20	VALVE WITH ACTUATOR		
22	SCREW PLUG		
23	WASHER		
30	ORIFICE PLATE		
45	SUPPORT		
46	SUPPORT		
47	SUPPORT		
48	SUPPORT		
49	COVER		
50	ORIFICE PLATE		
63	BUTTERFLY VALVE		
55	SUPPORT		
62	SUPPORT		
67	SUPPORT		
55	SCREW		
69	WASHER		

SHEET NO. 611A HYDRAULIC CYLINDER UNIT





SHEET NO. 611AB HYDRAULIC EXHAUST ACTUATOR



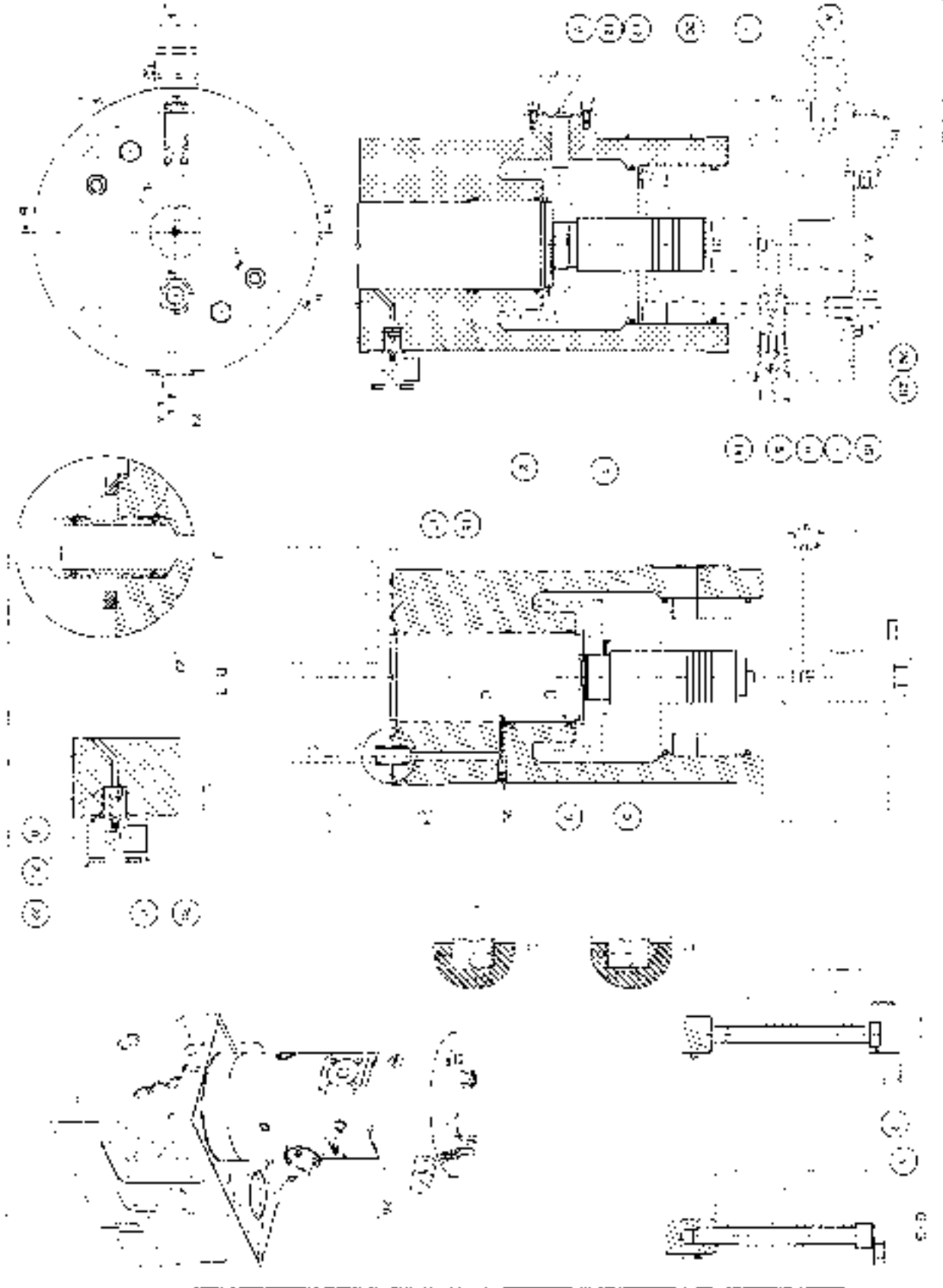
SHEET NO 611A

HYDRAULIC CYLINDER UNIT

REG NO.	PART NAME	REG NO.	PART NAME
A	DISTRIBTOR BLOCK UNIT	41	CAUTION PLATE
A 1	DISTRIBTOR BLOCK	42	CAUTION PLATE
A 3	PIN	43	SCREW
A 4	PIN	53	PROTECTIVE COVER
A 7	PLUG SCREW	54	PROTECTIVE COVER
A 8	PLUG SCREW	57	NAVE PLATE
A 9	PLUG SCREW	52	NAVE PLATE
A 10	PLUG SCREW	53	NAVE PLATE
A 12	OR FICE PLUG SCREW	54	NAVE PLATE
A 14	GLUE	55	GLUE
A 21	SPRING PIN	55	P P E UNION
G	HYDRAULIC EXHAUST ACTUATOR	75	FIVA VALVE
HA	NON-RETURN VALVE	67	SUPPORT
RA 1	HOUSING	500	CABLE TRAY
BA 2	GUIDE	501	CABLE TRAY
BA 3	SPINDLE	502	CABLE TRAY
BA 4	SPRING	503	CABLE TRAY
BA 5	O-RING	504	CABLE TRAY
EA 10	HOUSING	505	CABLE TRAY
EA 12	O-RING	510	SCREW
1	BOTTOM PIECE	611	SCREW
2	HYDRAULIC CYLINDER	612	SCREW
3	TOP PIECE	620	P P E
4	P STON	521	NUT
5	P STON	523	PLATE
6	O-RING	527	NUT
9	BOLT	528	SEALING RING
10	BOLT	530	NUT
11	PLUG SCREW	531	SCREW
12	PLUG SCREW	533	SCREW
14	SEALING RING		
16	PIN		
C	FUEL OIL PRESSURE BOOSTER		
F	RETURN OIL STANDPIPE		
H	LUBRICATOR		
I	ACCUMULATOR ASSEMBLY		
K	LEVEL SWITCH ARRANGEMENT		
N	PROTECTIVE GUARD		
3	SCREW		
9	BALL VALVE		
10	SCREW		
15	STUD		
15	NUT		
17	STUD		
18	NUT		
19	P P E		
20	P P E		
21	P P E		
24	P P E UNION		
35	BALL VALVE		
32	SCREW		

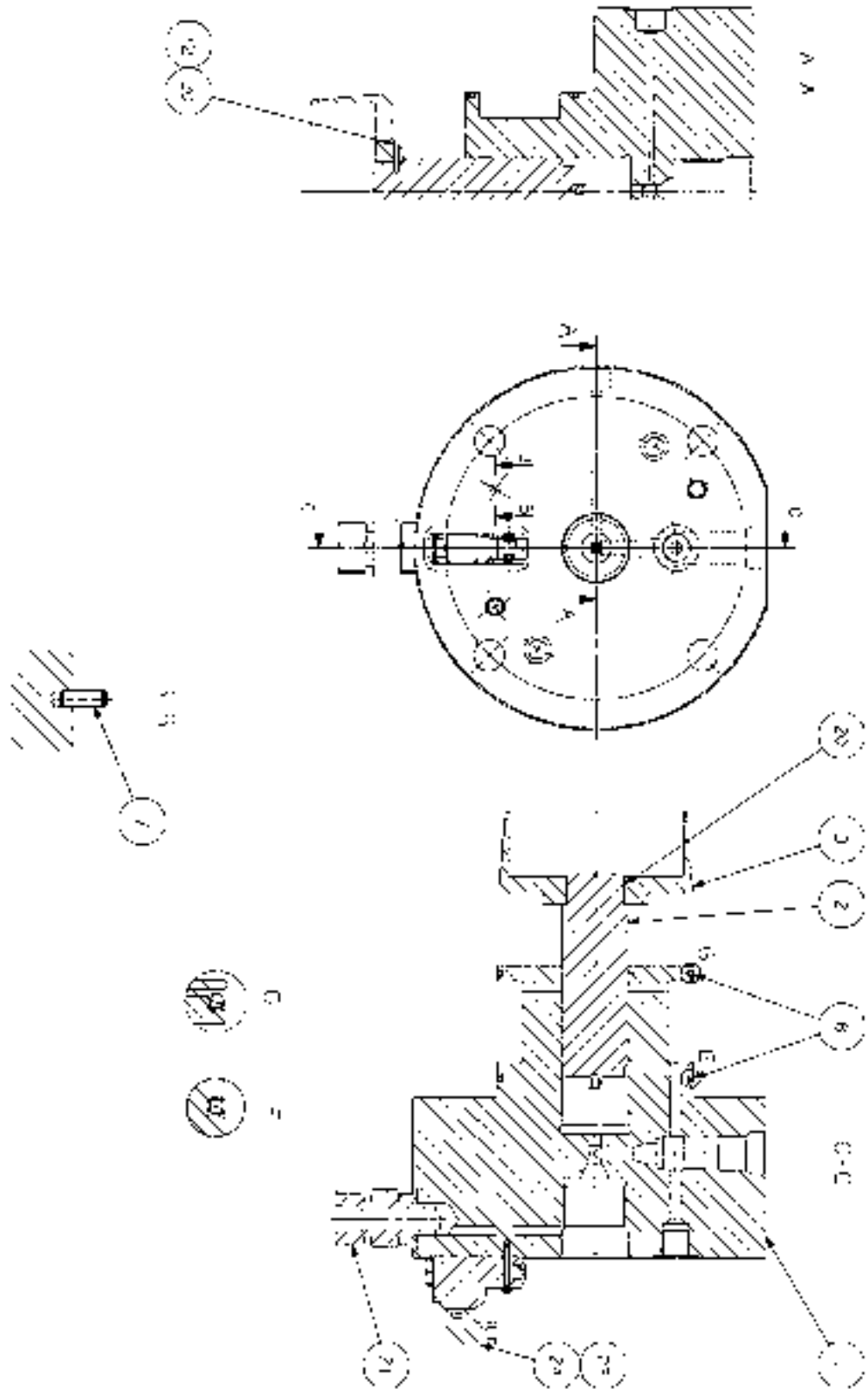


SHEET NO. 611AC FUEL OIL PRESSURE BOOSTER

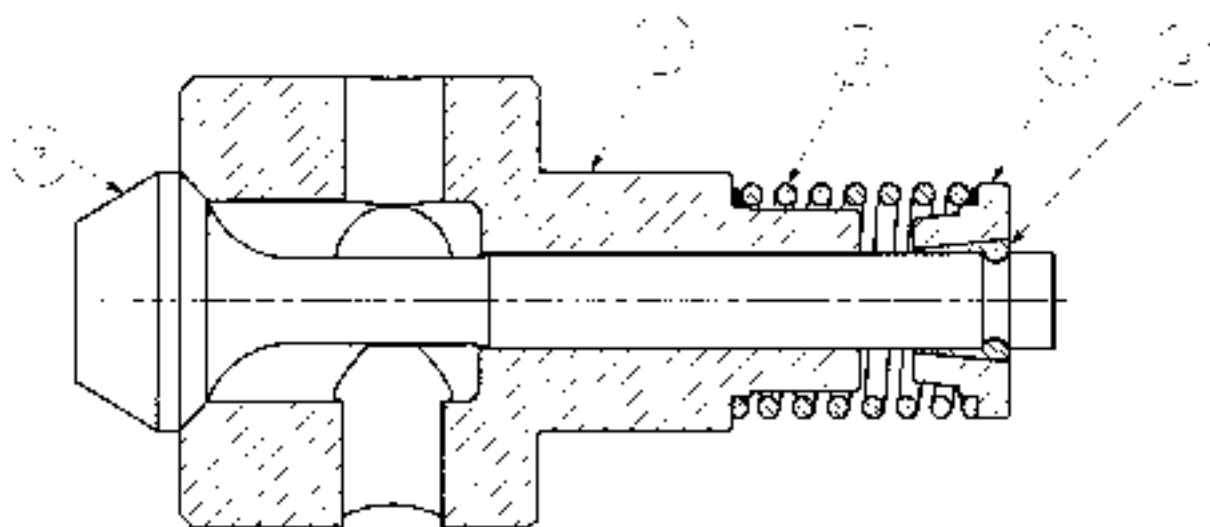




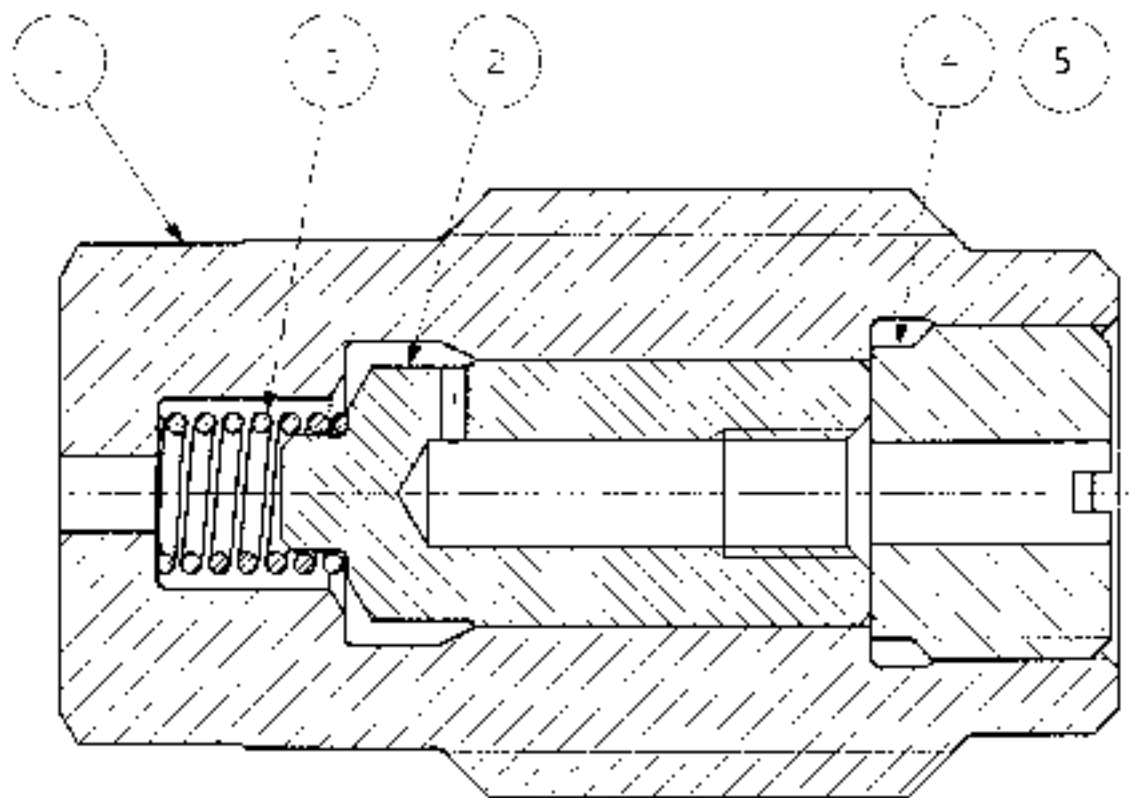
SHEET NO. 611ACA TOP COVER COMPLETE



SHEET NO. 611ACB SUCTION VALVE COMPLETE



SHEET NO. 611ACC THROTTLE VALVE COMPLETE



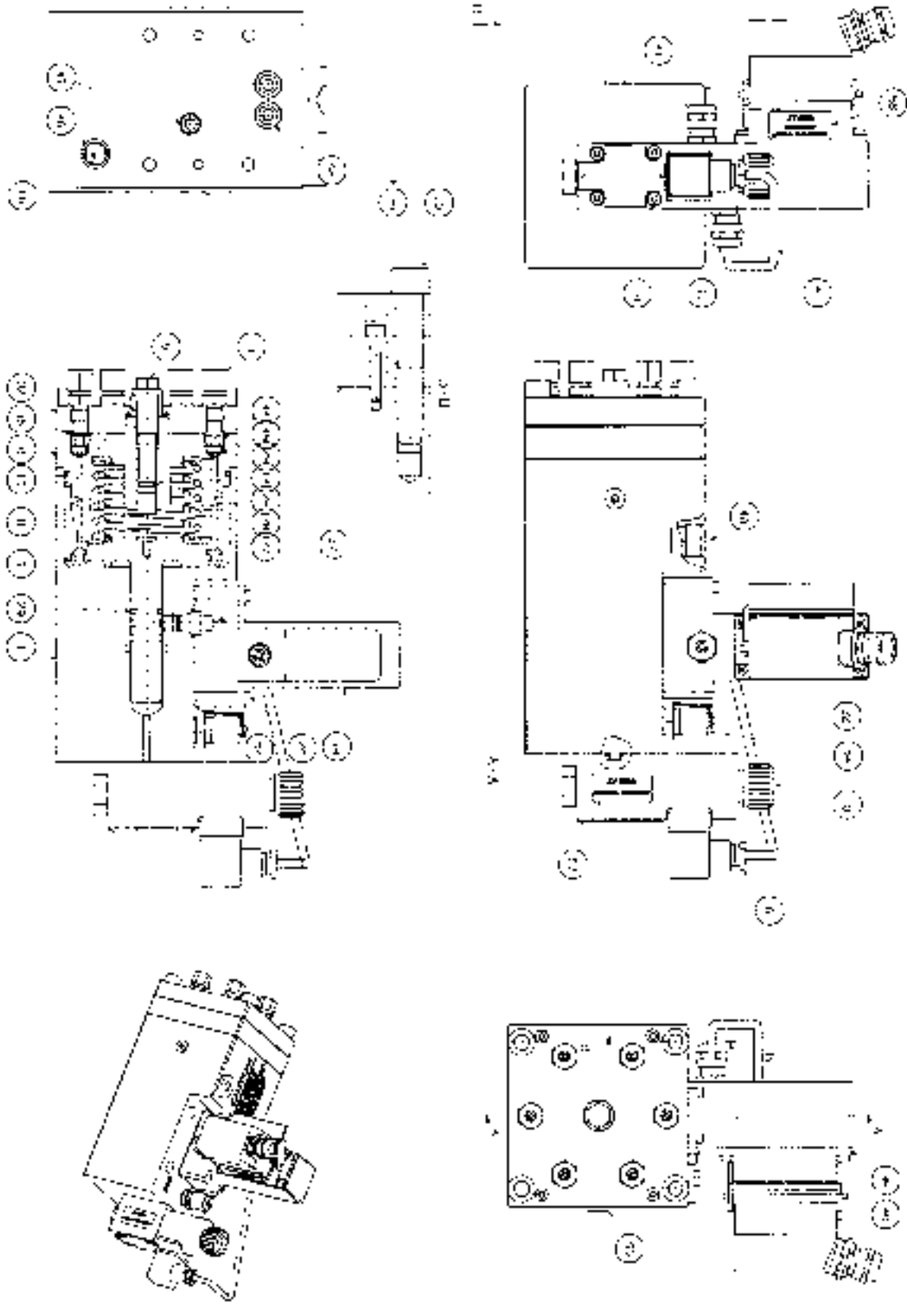
SHEET NO. 6:1A

HYDRAULIC CYLINDER UNIT

REG NO.	PART NAME
C	FUEL OIL PRESSURE BOOSTER
CA	TOP COVER COMPLETE
CA 1	TOP COVER
CA 2	FUEL PLUNGER
CA 3	CAP
CA 6	SEALING RING
CA 7	PIN
CA 12	SPRING PIN
CA 20	GLUE
CA 21	NON-RETURN VALVE
CA 23	PRESSURE SWITCH
CA 24	BOLT
CB	SUCTION VALVE COMPLETE
CB 1	HOUSING
CB 2	SPLINDLE SUCTION VALVE
CB 3	SPRING
CB 4	CONICAL RING
CB 5	CONE PIECE
CC	THROTTLE VALVE COMPLETE
CC 1	VALVE HOUSING
CC 2	SPLINDLE
CC 3	SPRING
CC 4	PLUG SCREW
CC 5	GLUE
1	HOUSING
2	HYDRAULIC PLUNGER
3	C.RCLIP
4	BOLT
6	DISTANCE PIECE
7	PLUG SCREW
8	INDUCTIVE SENSOR
9	SEALING RING
12	SEALING RING
13	BOLT
14	SEALING RING
15	UNION NUT AND PLUG SCREW
16	SEALING RING
17	BOLT
18	SEALING RING
19	WASHER
20	FLANGE
21	SEALING RING
22	BOLT
23	BUSHING
24	SEALING RING
25	PLUG SCREW
25	NAME PLATE
28	ORIFICE PLUG SCREW
29	GASKET



SHEET NO. 611AH LUBRICATOR COMPLETE

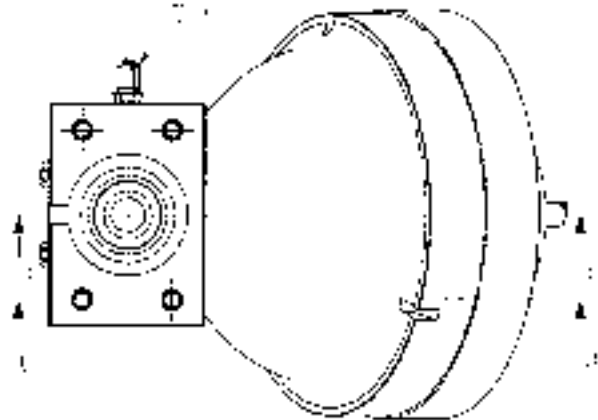
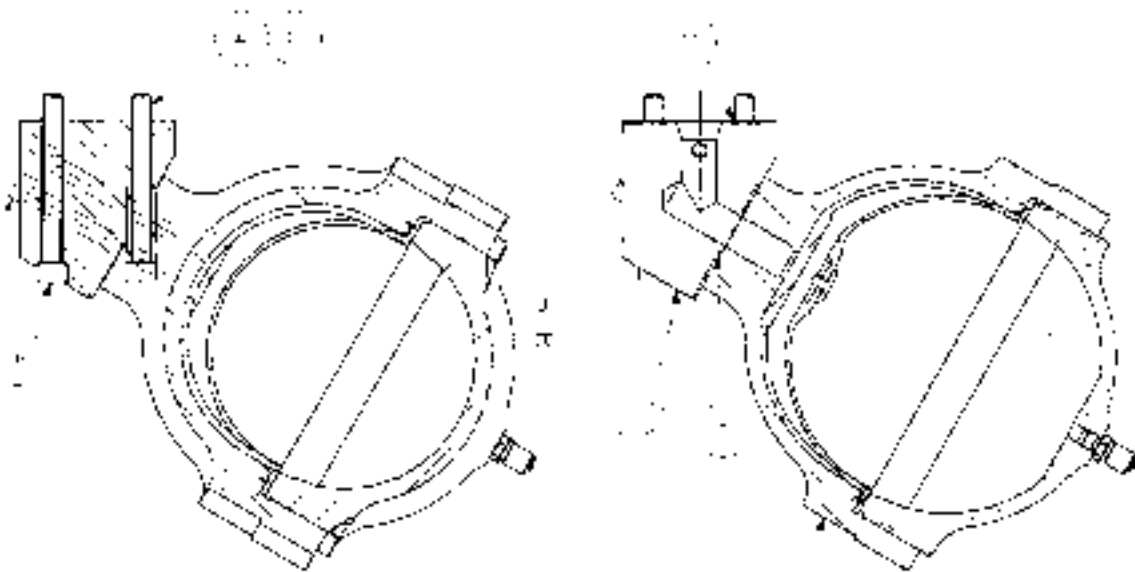


SHEET NO. 611A

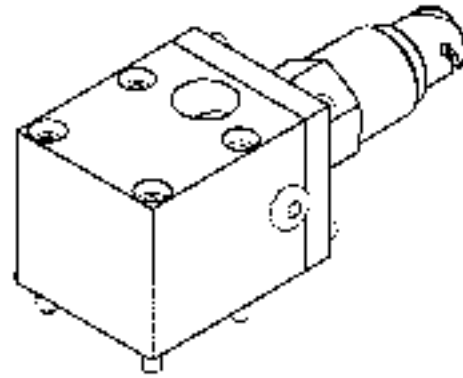
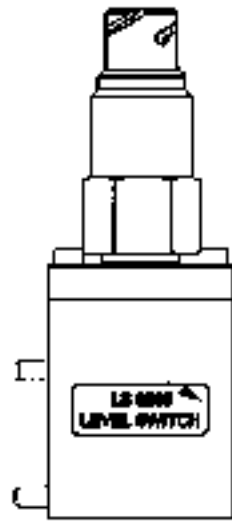
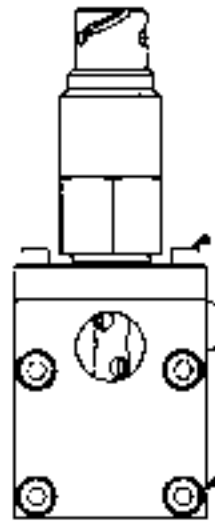
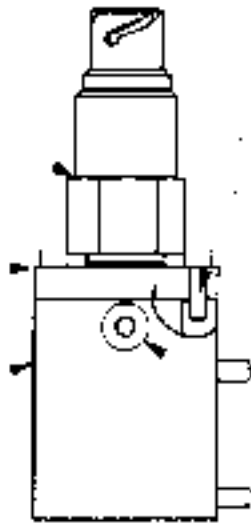
HYDRAULIC CYLINDER UNIT

REG NO	PART NAME
H	LUBRICATOR COMPLETE
H 1	HOUSING
H 3	PISTON
H 5	SCREW BOLT
H 6	SOLENOID VALVE
H 8	PLUNGER
H 10	INSIDE HEXAGONAL BOLT
H 11	COUPLING PIPE
H 13	SEALING RING
H 14	SEALING RING
H 15	SEALING RING
H 16	DISTANCE PIPE
H 18	BOLT
H 20	BOLT
H 22	BOLT
H 25	SPRING
H 26	SPRING
H 27	WASHER
H 28	WASHER
H 29	SEALING RING
H 31	LUBRICATOR COVER
H 32	LUBRICATOR PLATE
H 35	SCREW
H 37	SENSOR
H 38	HOUSING
H 39	PLUG
H 40	SCREW BOLT
H 41	CABLE GLAND
H 42	CABLE
H 44	NON RETURN VALVE
H 45	SEALING RING
H 46	SEALING RING
H 47	SEALING RING
H 48	SEALING RING
H 49	SCREW BOLT
H 50	SCREW BOLT
H 52	SHIM
H 54	QUICK RELEASE VALVE
H 56	NAME PLATE
H 57	NAME PLATE

SHEET NO. 611AI ACCUMULATOR ASSEMBLY COMPLETE



SHEET NO. 611AK LEVEL SWITCH ARRANGEMENT UNIT



SHEET NO. 611A

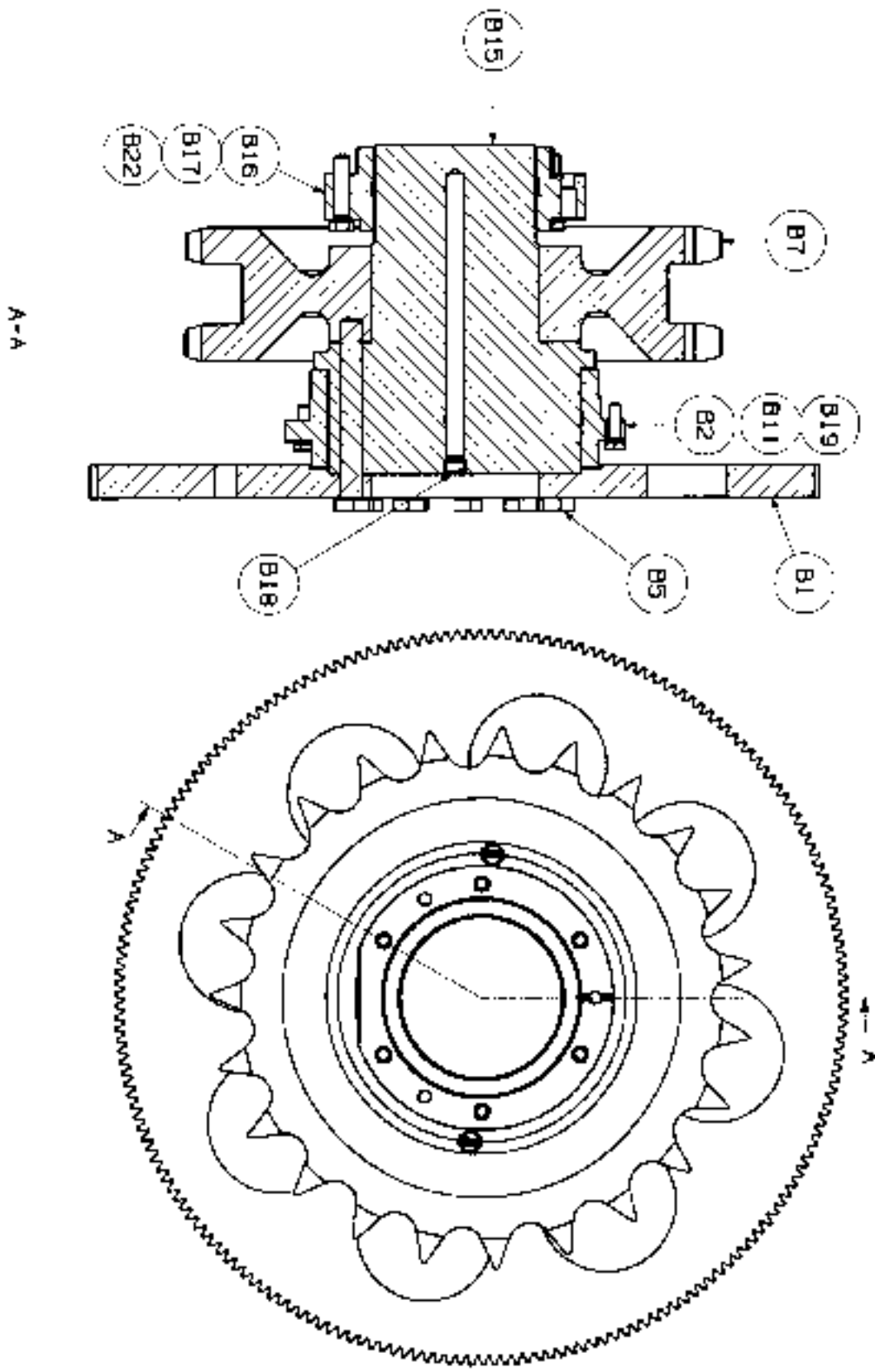
HYDRAULIC CYLINDER UNIT

REG NO.	PART NAME
I	ACCUMULATOR ASSEMBLY COMPLETE
IA	ACCUMULATOR ASSEMBLY
I 3	FLANGE
I 4	BOLT
I 6	SEALING RING
I 9	BOLT
I 12	DISTANCE PIPE
I 13	QUICK RELEASE VALVE
14	SEALING RING
15	GLUE
K	LEVEL SWITCH ARRANGEMENT
K 1	LEVEL SWITCH
K 2	SHIM
K 3	HOUSING
K 4	COVER
K 5	SEALING RING
K 6	BOLT
K 7	SCREW PLUG
K 8	CABLE
K 9	BOLT
K 15	NAME PLATE

SHEET NO. 6'23

GEAR BOX

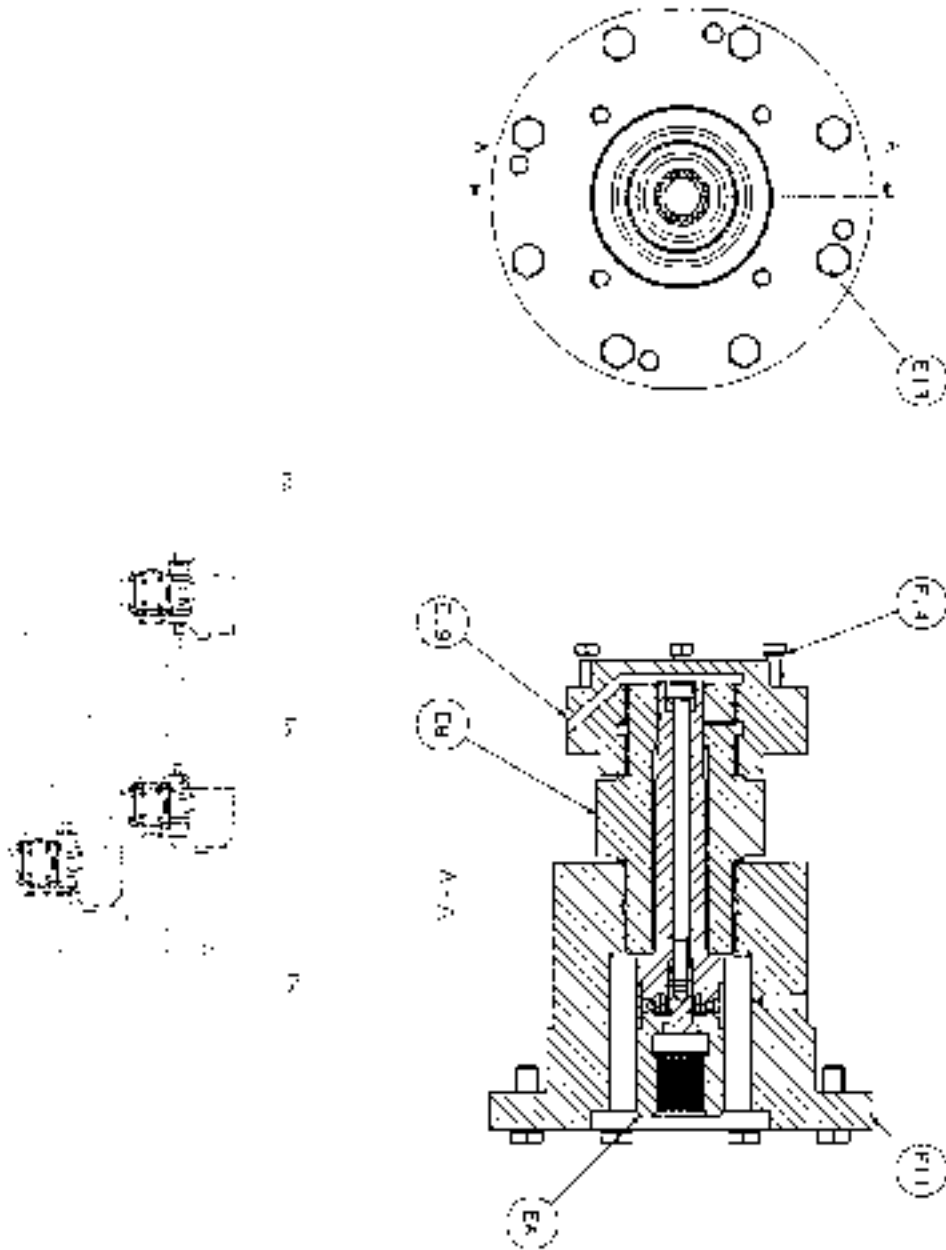
REG NO.	PART NAME
A	GEAR BOX ASS.
B	INTERMEDIATE SHAFT ASS.
B 1	GEAR WHEEL
B 2	BEARING
B 5	SCREW
B 7	CHAIN WHEEL
R 11	SCREW
R 15	SHAFT
B 16	BEARING
B 17	SCREW
B 18	PLUG SCREW
B 19	GASKET
B 22	GASKET
D	HYDRAULIC PUMP
DA	HYDRAULIC PUMP
E	COUPLING
EA	COUPLING
E 5	GEAR WHEEL
E 11	FLANGE
E 13	SCREW
E 14	SCREW
E 19	FLANGE
H	ACCUMULATOR BLOCK
H 1	ACCUMULATOR BLOCK
H 2	ACCUMULATOR BLOCK
H 5	STUD
H 6	STUD
H 7	STUD
H 9	SEALING RING
H 3	QUICK COUPLING
H 10	SEALING RING
6	COVER
7	COVER
5	COVER
11	STUD
12	STUD
19	FLANGE
21	STUD
23	COVER
37	COVER
39	STUD
60	NUT
95	BOLT
97	ACCUMULATOR
113	COVER
150	PLATE



SHIFT NO. 612B

GEAR BOX

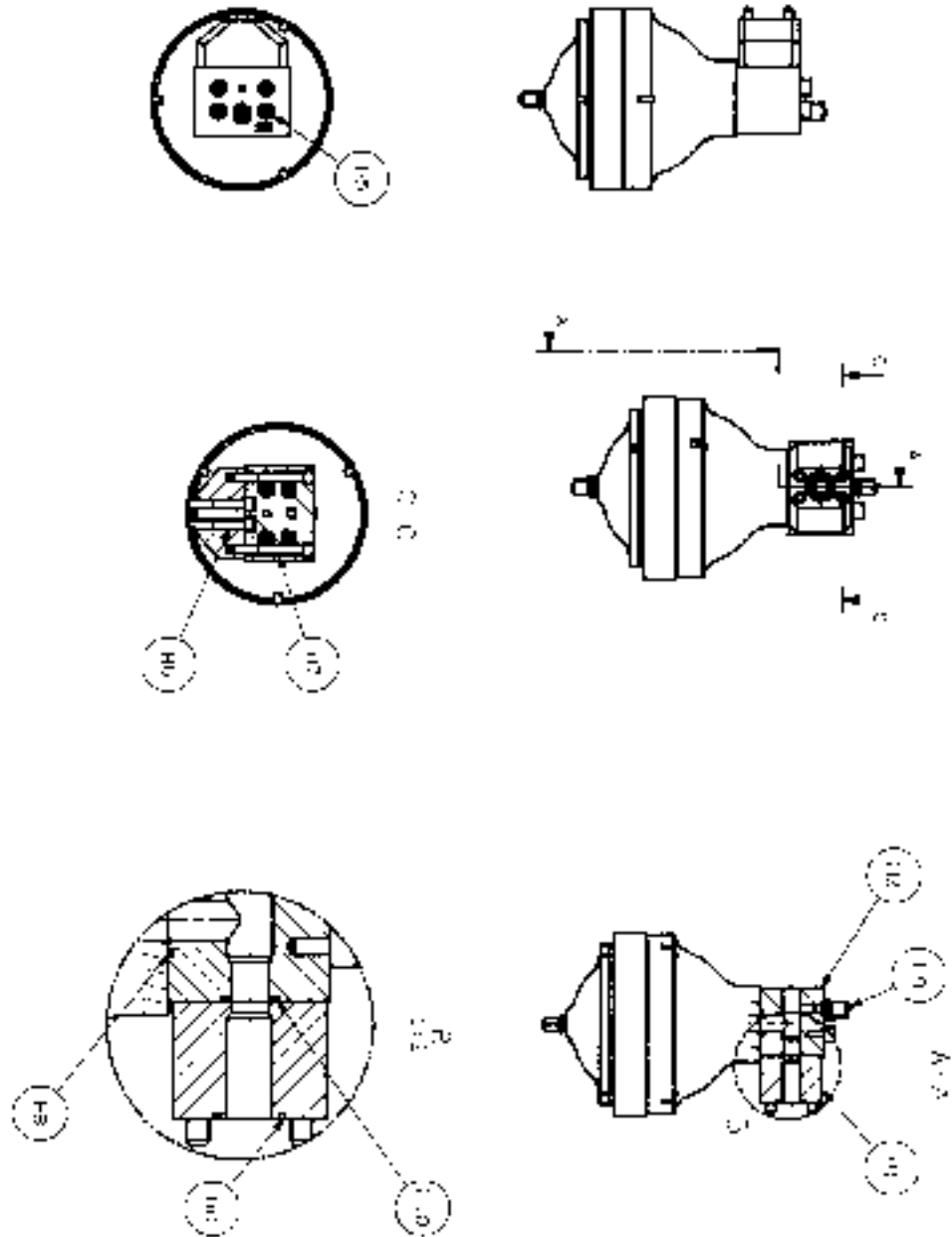
REG NO.	PART NAME
A	GEAR BOX ASS.
B	INTERMEDIATE SHAFT ASS.
R 1	GEAR WHEEL
R 2	BEARING
B 5	SCREW
B 7	CHAIN WHEEL
B 11	SCREW
B 15	SHAFT
B 16	BEARING
B 17	SCREW
B 18	PLUG SCREW
B 19	GASKET
B 22	GASKET
D	HYDRAULIC PUMP
DA	HYDRAULIC PUMP
E	COUPLING
FA	COUPLING
E 8	GEAR WHEEL
F 11	FLANGE
F 13	SCREW
L 14	SCREW
E 18	FLANGE
H	ACCUMULATOR BLOCK
H 1	ACCUMULATOR BLOCK
H 2	ACCUMULATOR BLOCK
H 5	STUD
H 6	STUD
H 7	STUD
H 8	SEALING RING
F 9	LOCK COUPLING
F 10	SEALING RING
6	COVER
7	COVER
8	COVER
11	STUD
12	STUD
18	FLANGE
21	STUD
23	COVER
37	COVER
38	STUD
60	NUT
95	BOLT
97	ACCUMULATOR
118	COVER
150	PLATE



SHEET NO. 6123

GEAR BOX

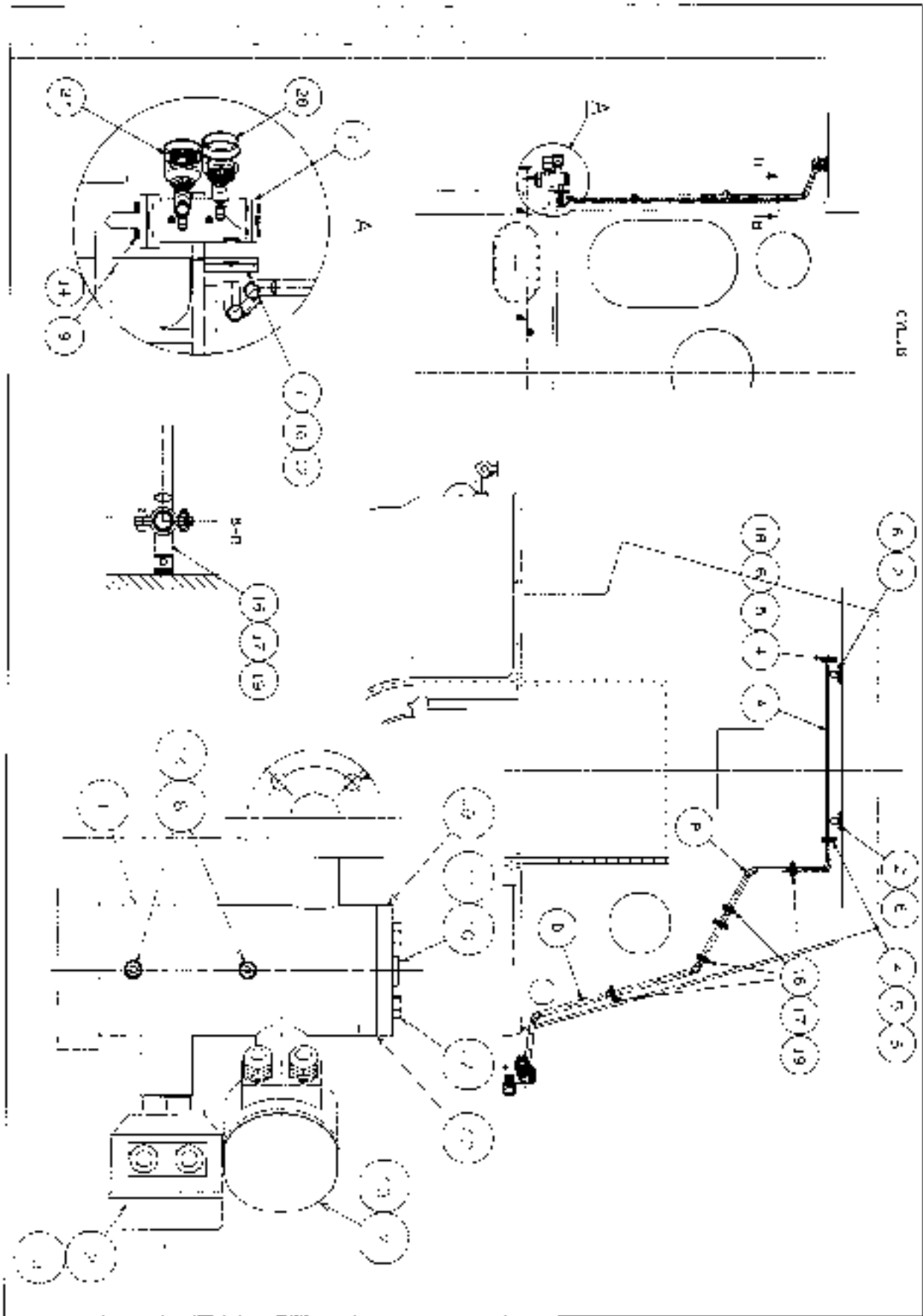
REG NO	PART NAME
A	GEAR BOX ASS
B	INTERMEDIATE SHAFT ASS.
B 1	GEAR WHEEL
B 2	BEARING
B 5	SCREW
B 7	CHAIN WHEEL
B 11	SOPLW
B 15	SHAFT
B 16	CLAHING
B 17	SOPLW
B 18	PLUG SCREW
B 19	GASKET
B 22	GASKET
D	HYDRAULIC PUMP
DA	HYDRAULIC PUMP
E	COUPLING
EA	COUPLING
E 8	GEAR WHEEL
F 11	FLANGE
F 13	SCREW
F 14	SCREW
F 19	FLANGE
F	ACCUMULATOR BLOCK
F 1	ACCUMULATOR BLOCK
F 2	ACCUMULATOR BLOCK
F 5	STUD
F 6	STUD
F 7	STUD
H 8	SEALING RING
H 9	QUICK COUPLING
H 10	SEALING RING
6	COVER
7	COVER
8	COVER
11	STUD
12	STUD
19	FLANGE
21	STUD
23	COVER
37	COVER
39	STUD
60	NUT
66	BOLT
67	ACCUMULATOR
113	COVER
150	PLATE



SHEET NO. 6128

GEAR BOX

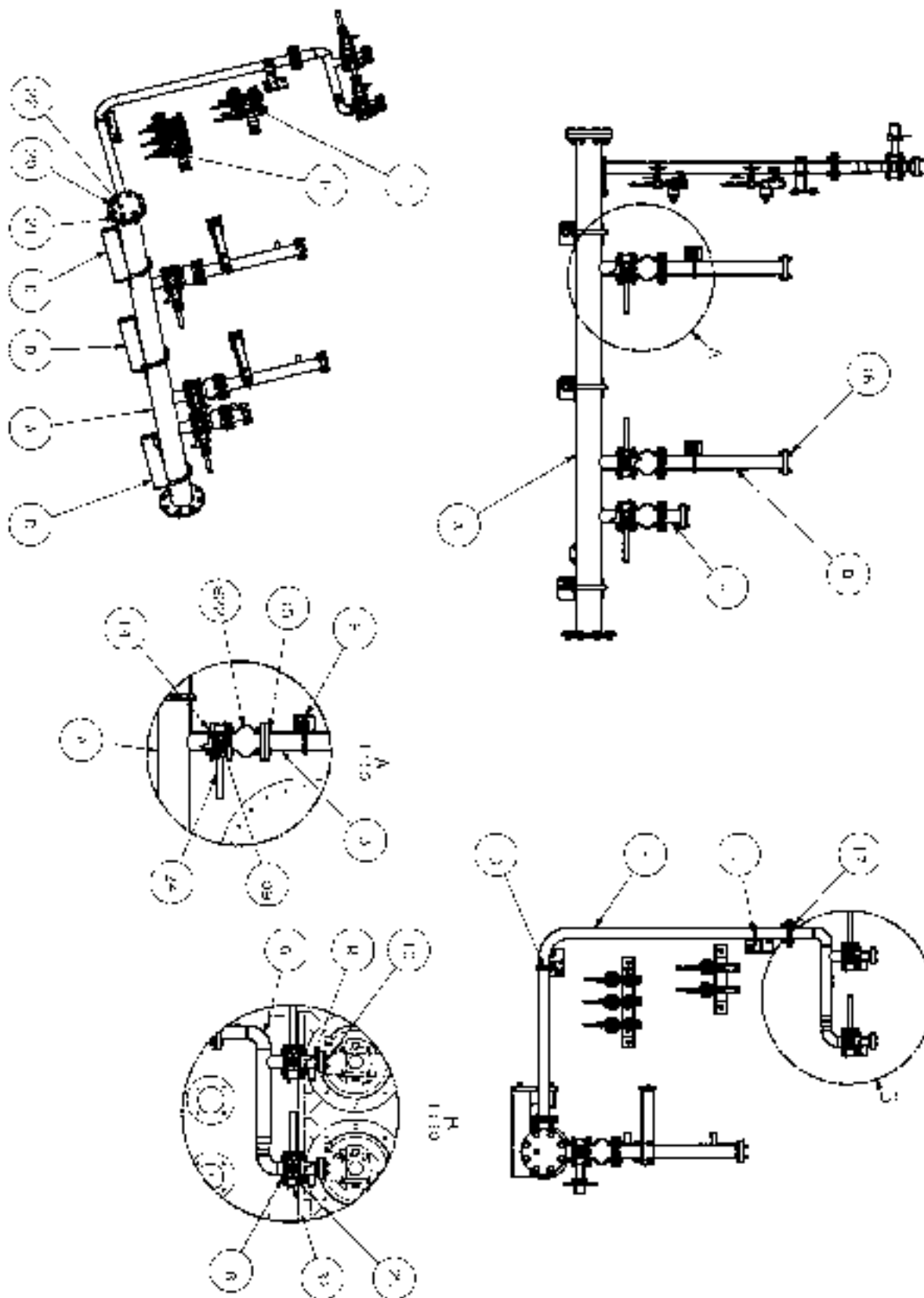
REG NO.	PART NAME
A	GEAR BOX ASS.
B	INTERMEDIATE SHAFT ASS
B 1	GEAR WHEEL
B 2	BEARING
B 5	SCREW
B 7	CHAIN WHEEL
D 11	SCREW
B 15	SHAFT
B 18	BEARING
B 17	SCREW
B 19	PLUG SCREW
B 19	GASKET
B 22	GASKET
D	-HYDRAULIC PUMP
DA	-HYDRAULIC PUMP
E	COUPLING
EA	COUPLING
E 8	GEAR WHEEL
F 11	FLANGE
F 13	SCREW
C 14	SCREW
F 19	FLANGE
II	ACCUMULATOR BLOCK
II 1	ACCUMULATOR BLOCK
II 2	ACCUMULATOR BLOCK
II 5	STUD
H 6	STUD
H 7	STUD
H 8	SEALING RING
H 9	QUICK COUPLING
H 10	SEALING RING
6	COVER
7	COVER
8	COVER
11	STUD
12	STUD
19	FLANGE
21	STUD
23	COUPLER
37	COUPLER
39	STUD
60	NUT
95	BOLT
97	ACCUMULATOR
113	COVER
150	PLATE



SHEET NO. 612F

HPS DRAIN PIPE

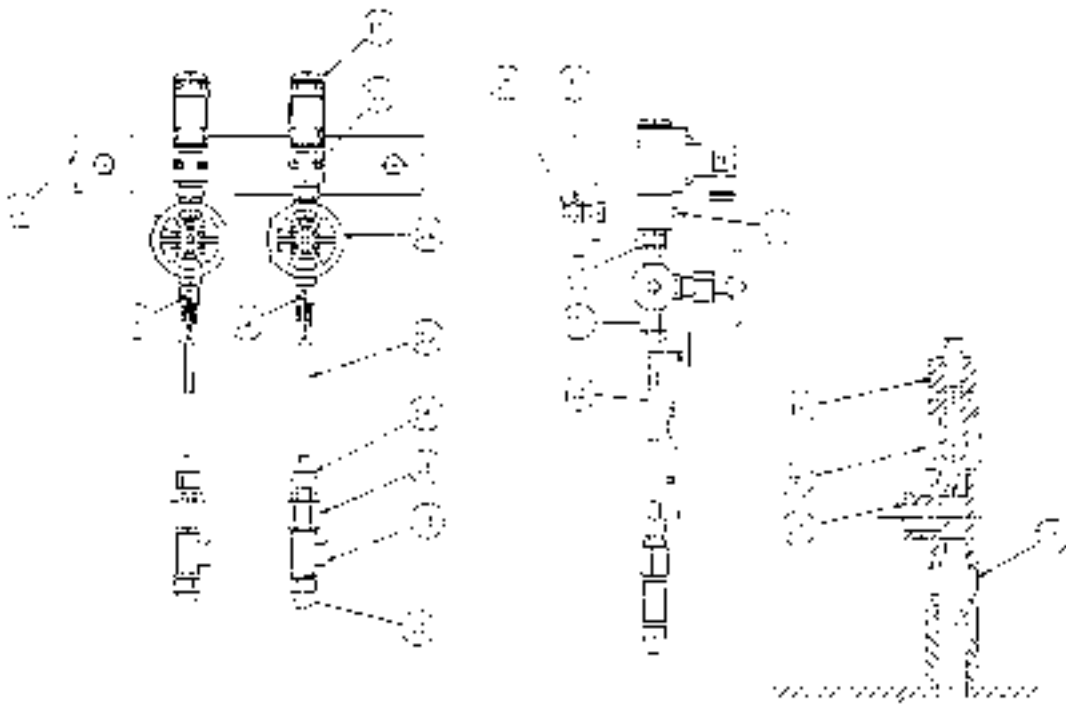
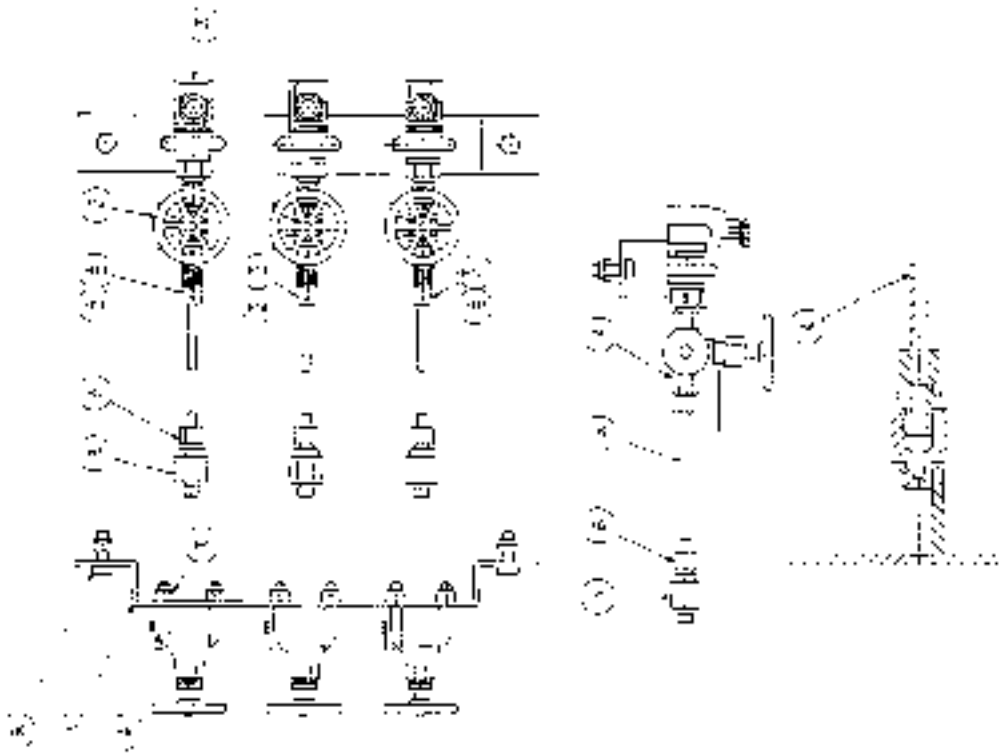
REQ NO	PART NAME
A	HPS DRAIN PIPE
B	HPS DRAIN PIPE
C	DRAIN BOX
C 1	DRAIN BOX
C 2	LEVEL SWITCH
C 7	BOLT
C 8	PLUG SCHLW
C 9	FLANGE
C 10	PLUG SCREW
C 11	GASKET
C 12	GASKET
C 13	GASKET
C 14	GASKET
C	HPS DRAIN PIPE
2	SCREW
4	SCREW
5	NUT
6	GASKET
7	SCREW
8	SCHLW
10	NUT
12	GASKET
14	GASKET
16	CLAMP
17	SCREW
18	COVER
19	NUT
27	NAME PLATE
28	NAME PLATE



SHEET NO. 615Z

HPS INLET PIPE

FIG NO.	PART NAME
A	HPS INLET PIPE
B	HPS INLET PIPE
C	HPS INLET PIPE
D	SUPPORT
E	SUPPORT
F	HPS INLET PIPE
G	HPS INLET PIPE
H	PRESSURE PIPE
I	PRESSURE PIPE
M	HPS INLET PIPE
P	SUPPORT
30	BOLT
11	BOLT
12	BOLT
13	BOLT
15	BOLT
17	NUT
18	NUT
23	WASHER
24	BUTTERFLY VALVE
27	WASHER
29	WASHER
32	BUTTERFLY VALVE
34	COVER
40	COMPENSATOR
53	BOLT
71	WASHER
109	NAME PLATE
111	NAME PLATE
121	WASHER
122	BOLT
132	BOLT



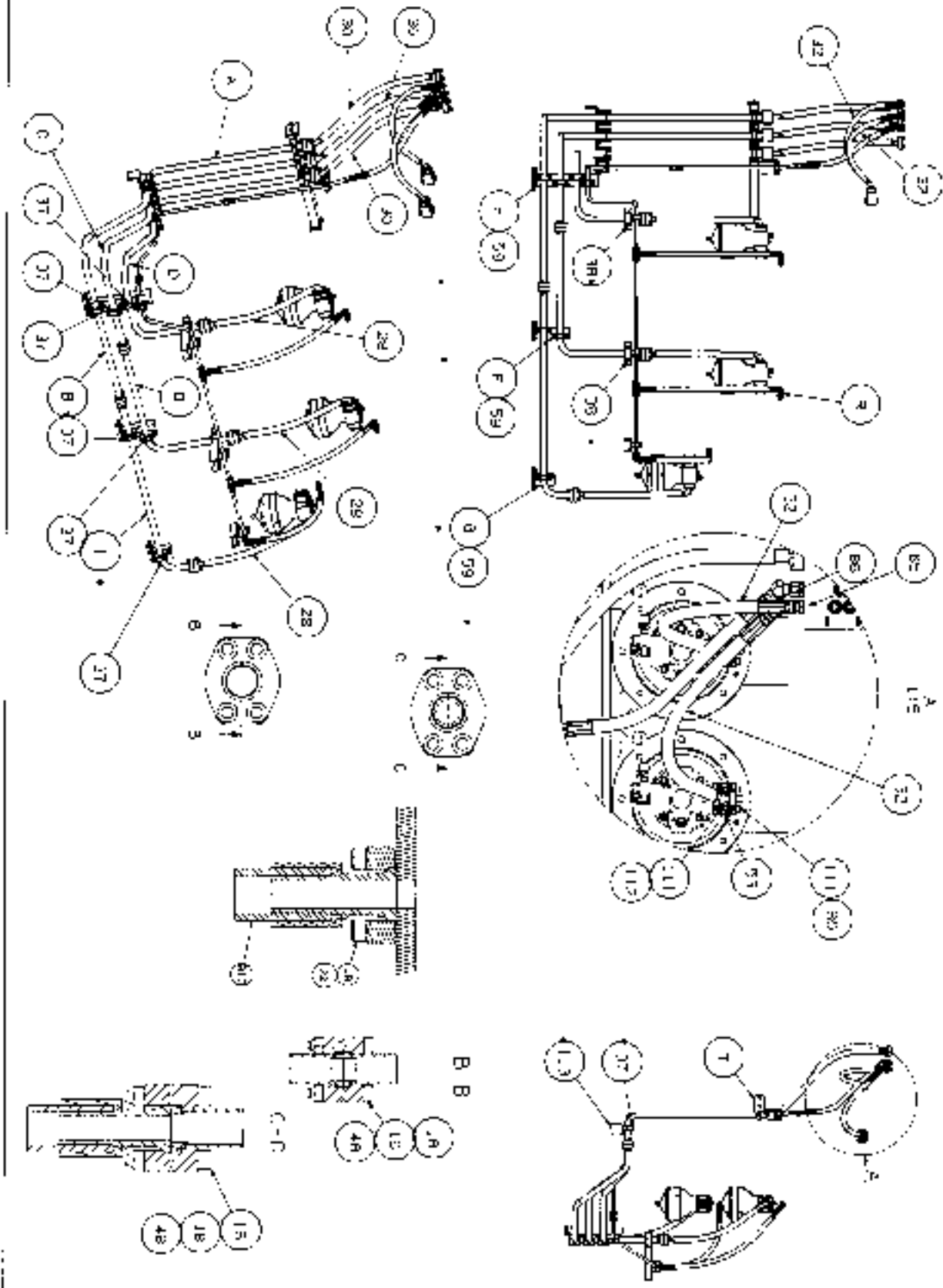
SHEET NO. 615Z

HPS INLET PIPE

REG NO.	PART NAME
A	HPS INLET PIPE
B	HPS INLET PIPE
C	HPS INLET PIPE
D	SUPPORT
E	SUPPORT
F	HPS INLET PIPE
G	HPS INLET PIPE
H	PRESSURE PIPE
I	PRESSURE PIPE
M	HPS INLET PIPE
P	SUPPORT
10	BOLT
11	BOLT
12	BOLT
13	BOLT
15	BOLT
17	NUT
18	NUT
23	WASHER
24	BUTTERFLY VALVE
27	WASHER
29	WASHER
32	BUTTERFLY VALVE
34	COVER
40	COMPENSATOR
52	BOLT
71	WASHER
109	NAME PLATE
111	NAME PLATE
121	WASHER
122	BOLT
132	BOLT



SHEET NO.613B HIGH PRESSURE IOGE COMPLETE 1/2

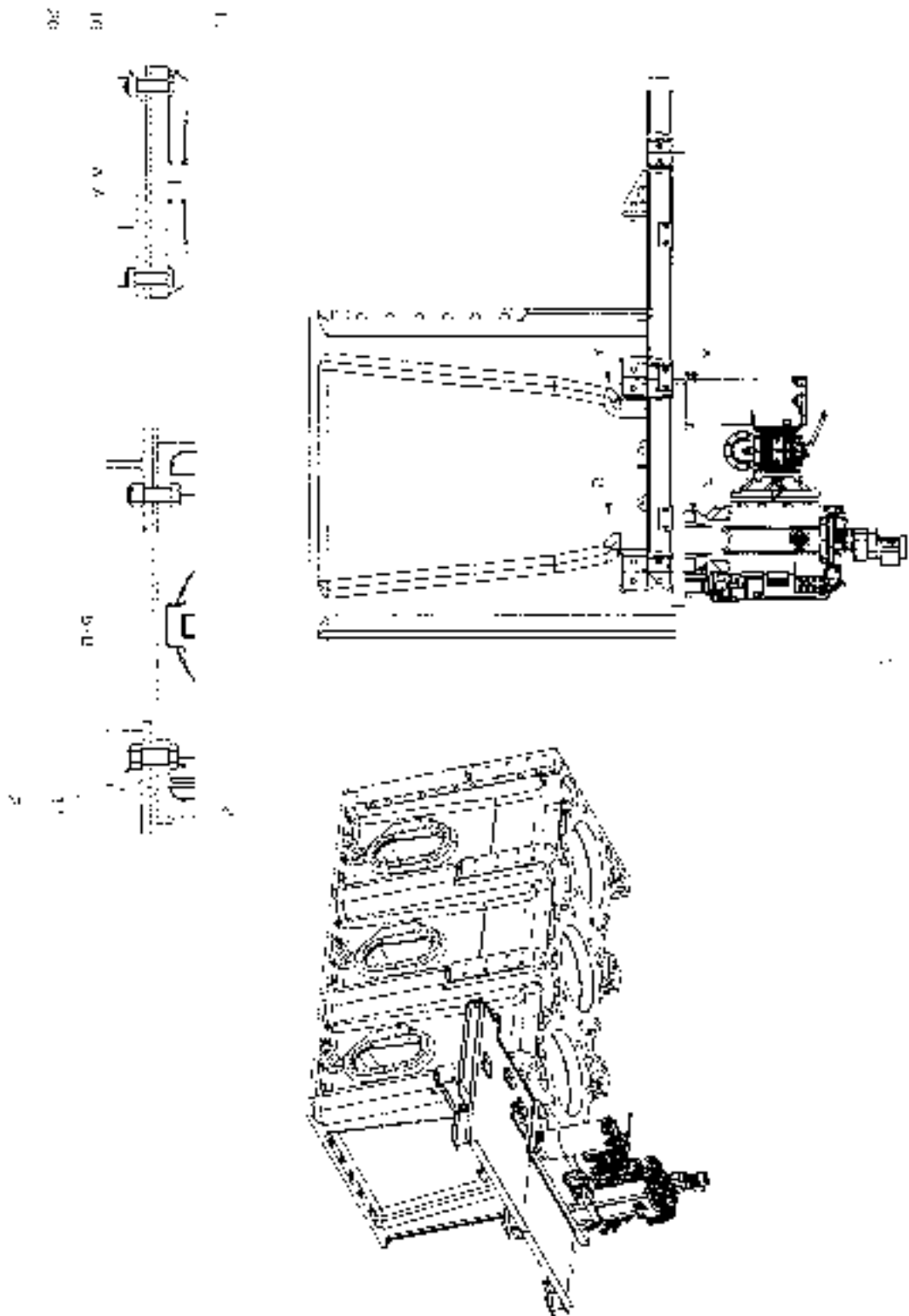


SHEET NO.613B HOSE COMPLETE

REG NO	NAME	REG NO.	NAME
A	HIGH PRESSURE PIPE		
B	HIGH PRESSURE PIPE		
C	HIGH PRESSURE PIPE		
D	HIGH PRESSURE PIPE		
E	SUPPORT		
F	SUPPORT		
G	SUPPORT		
H	HIGH PRESSURE PIPE		
I	HIGH PRESSURE PIPE		
J	HIGH PRESSURE PIPE		
K	SUPPORT		
15	BOLT		
18	O-RING		
22	BOLT		
28	HOSE STEEL WITH 2 FLANGE		
30	HOSE-STEEL WITH 2 FLANGE		
32	HOSE-STEEL WITH 2 FLANGE		
37	PIPE CLAMP		
38	PIPE CLAMP		
48	NUT		
53	DISTRIBUTOR		
59	FLATE		
65	ADAPTER		
80	BOLT		
86	ADAPTER		
111	O-RING		
112	BOLT		
119	PLATE		

SHEET NO.613E HOSE COMPLETE

REF NO	NAME	REF NO.	NAME
A	HIGH PRESSURE PIPE		
B	HIGH PRESSURE PIPE		
C	HIGH PRESSURE PIPE		
D	HIGH PRESSURE PIPE		
E	SUPPORT		
F	SUPPORT		
G	SUPPORT		
I	HIGH PRESSURE PIPE		
C	HIGH PRESSURE PIPE		
R	HIGH PRESSURE PIPE		
I	SUPPORT		
15	BOLT		
18	O-RING		
22	BOLT		
28	HOSE STEEL WITH 2 FLANGE		
30	HOSE STEEL WITH 2 FLANGE		
32	HOSE-STEEL WITH 2 FLANGE		
37	PIPE CLAMP		
38	PIPE CLAMP		
48	NUT		
53	DISTRIBUTOR		
59	VALVE		
65	ADAPTER		
80	BOLT		
86	ADAPTER		
111	O-RING		
112	BOLT		
113	PLATE		

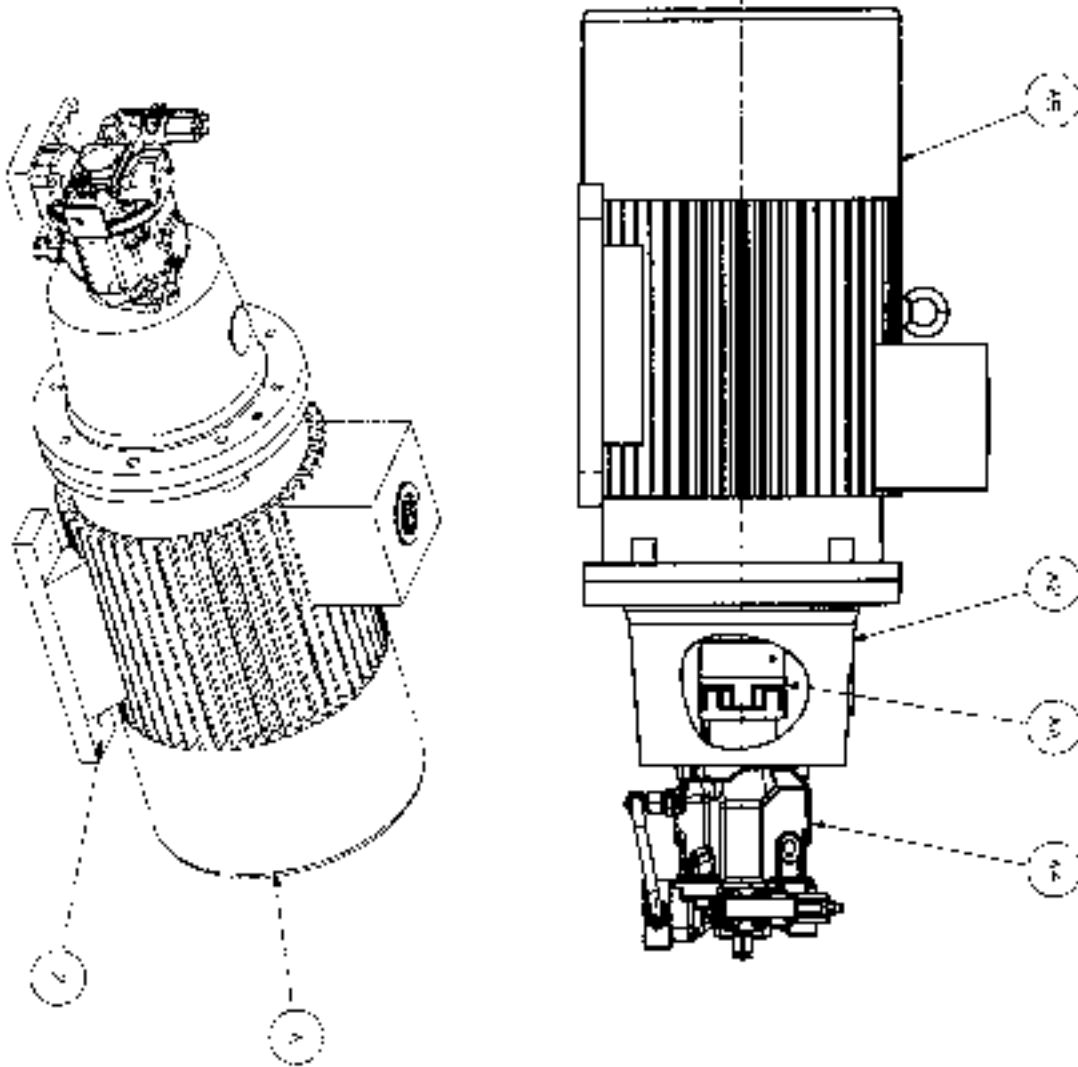


SHEET NO 815A OIL FILTER AHH

PDC NO.	NAME	PDC NO.	NAME
1	OIL FILTER		
11	BOLT		
12	BOLT		
15	NUT		
17	NUT		
20	WASHER		
21	WASHER		



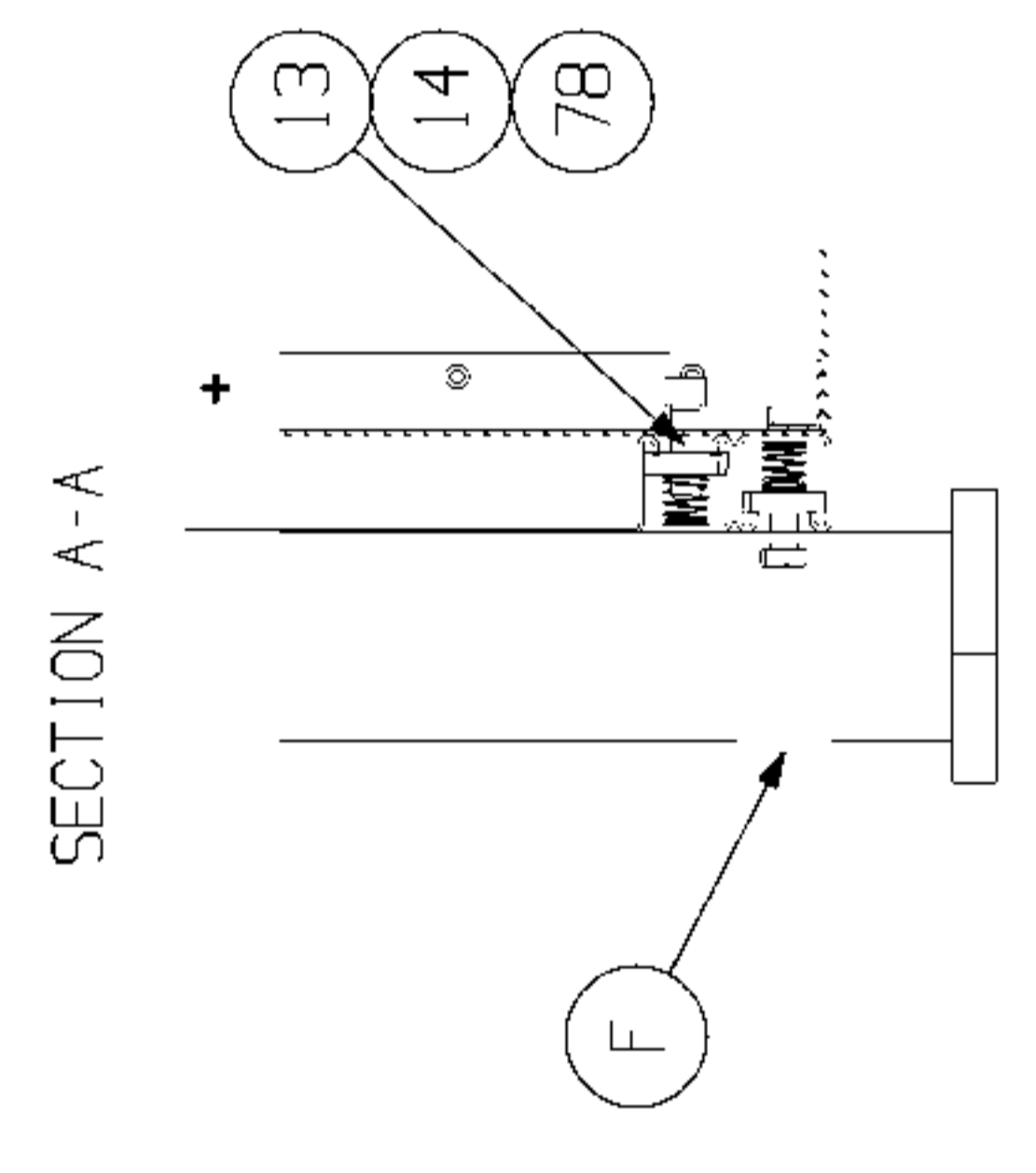
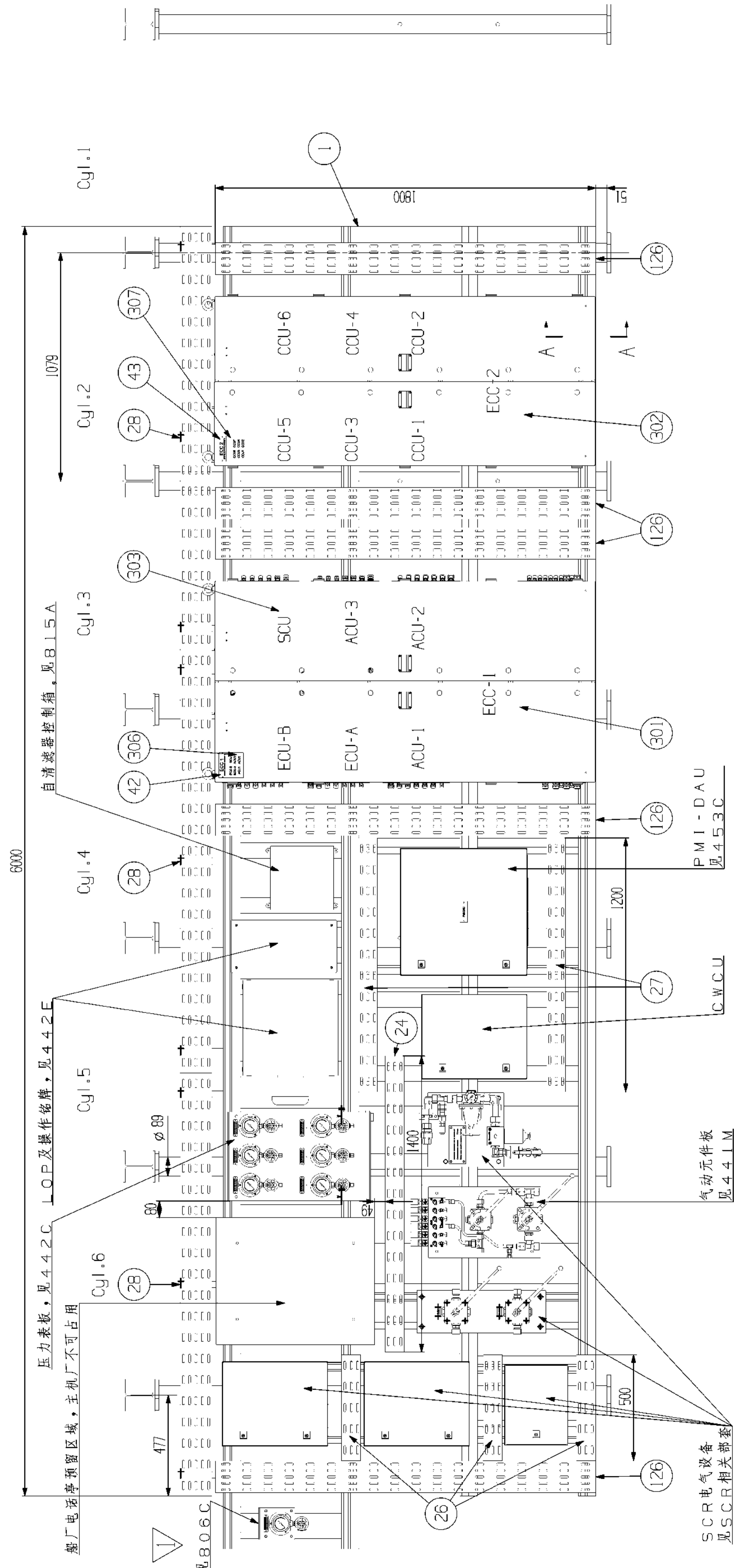
STEEL NO. 61EB - HYDRAULIC PUMP STATION



SHEET NO: 615B OIL FILTER ARR

REG NO.	NAME	REG NO.	NAME
A	HYDRAULIC PUMP STATION		
A	A CLAW COUPLING		
A	7 PART FOR COUPLING		
A	4 PUMP		
A	5 MOTOR		
	2 STUD		

SHEET NO. 621A ARR. OF CONTROL PANEL



自清滤波器控制箱，见 8.1.5.A

压力表板，见 4.4.2.C L.O.P 及操作铭牌，见 4.4.2.E

船厂电话亭预留区域，主机厂不可占用

见 8.0.6.C

PMI - DAU
见 4.5.3.C

C.W.C.U

气动元件板
见 4.4.1.M

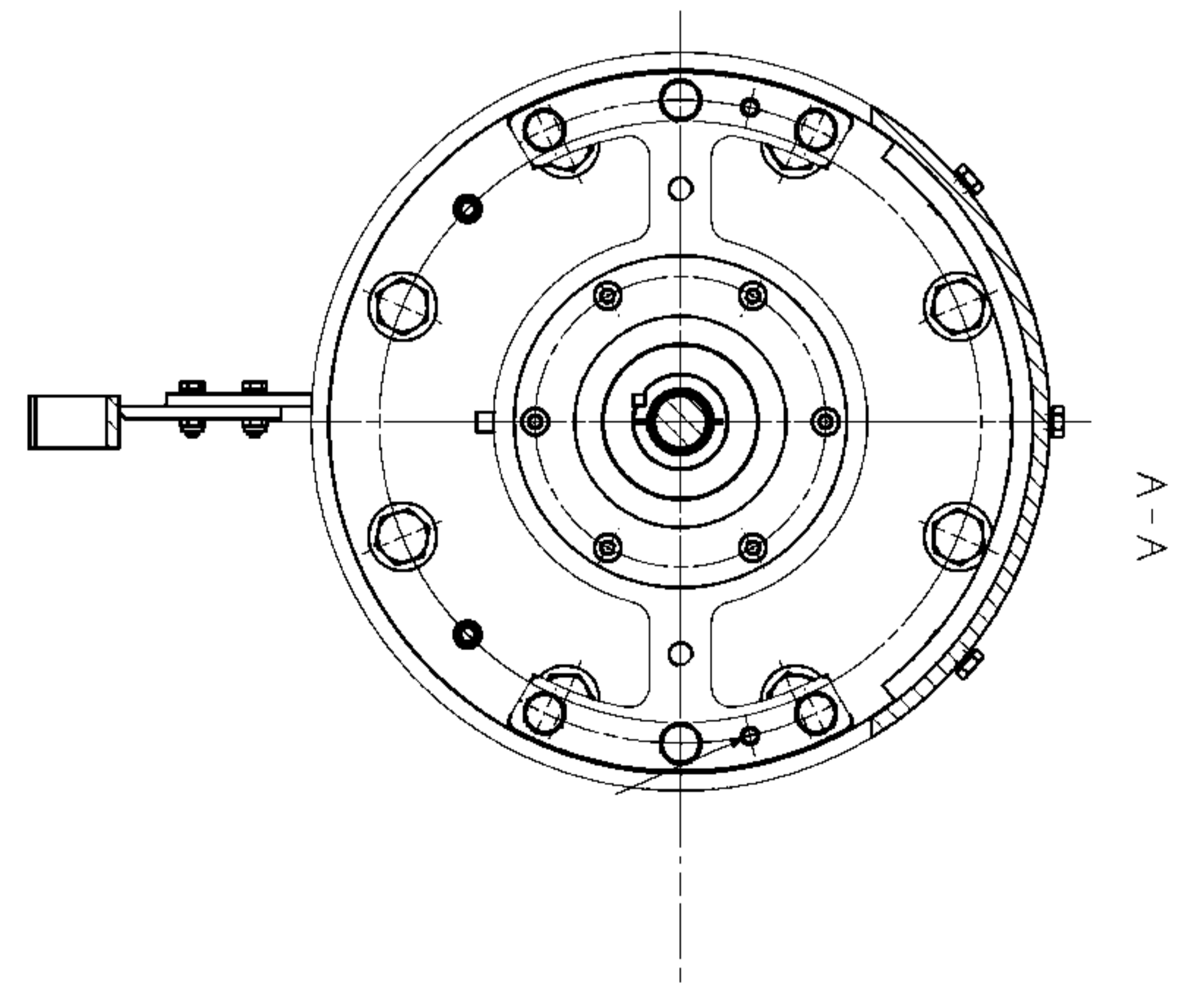
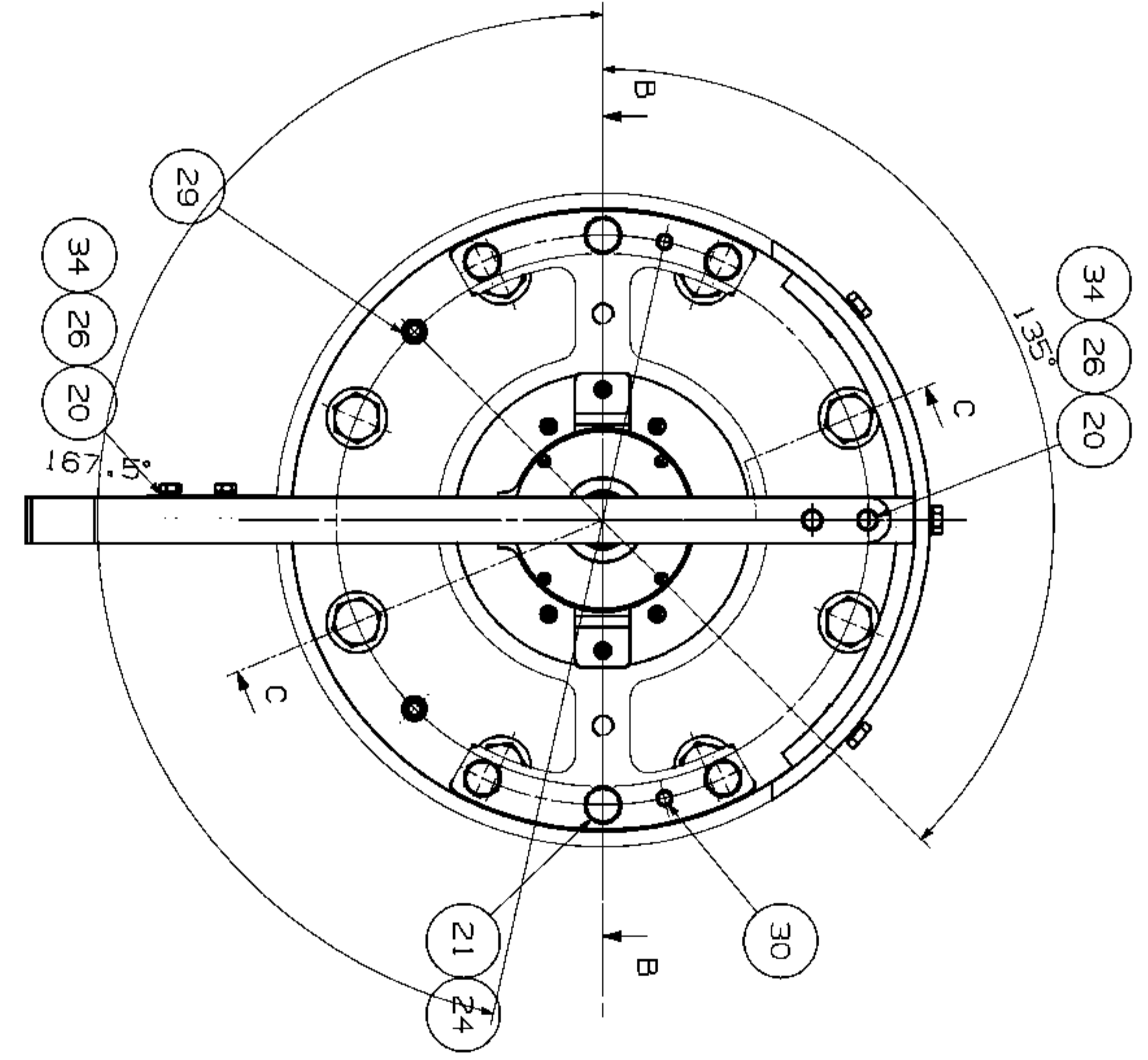
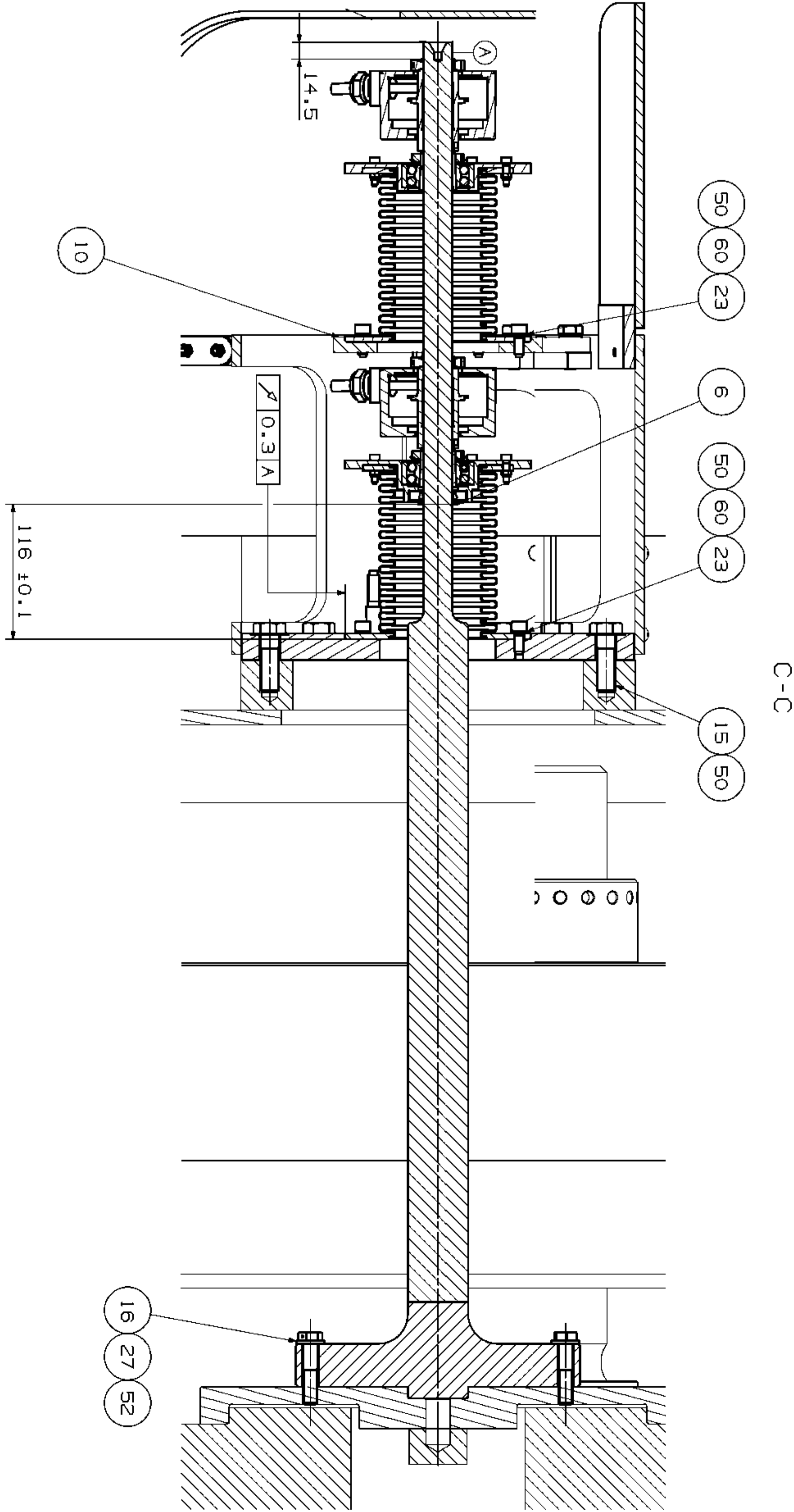
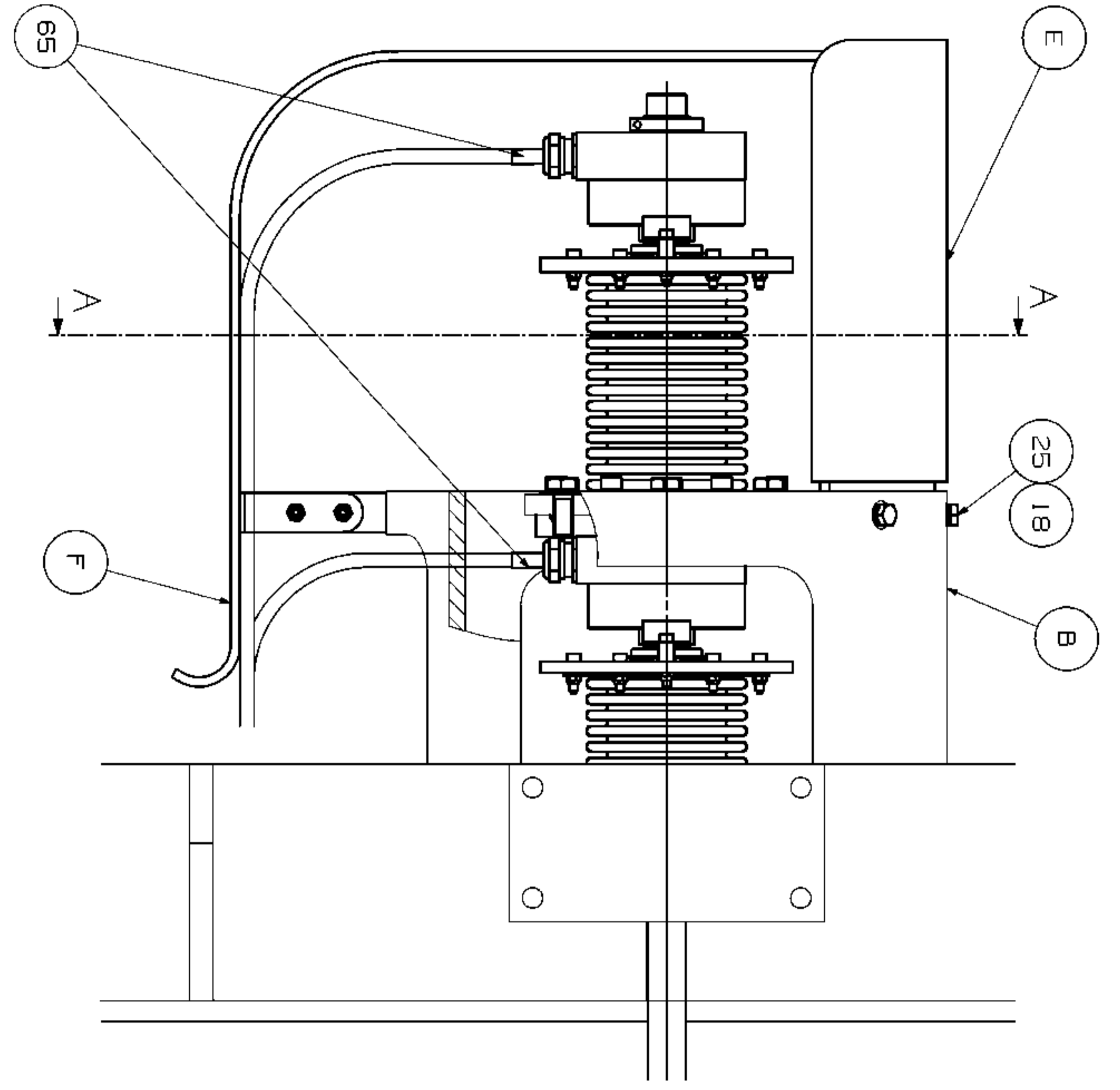
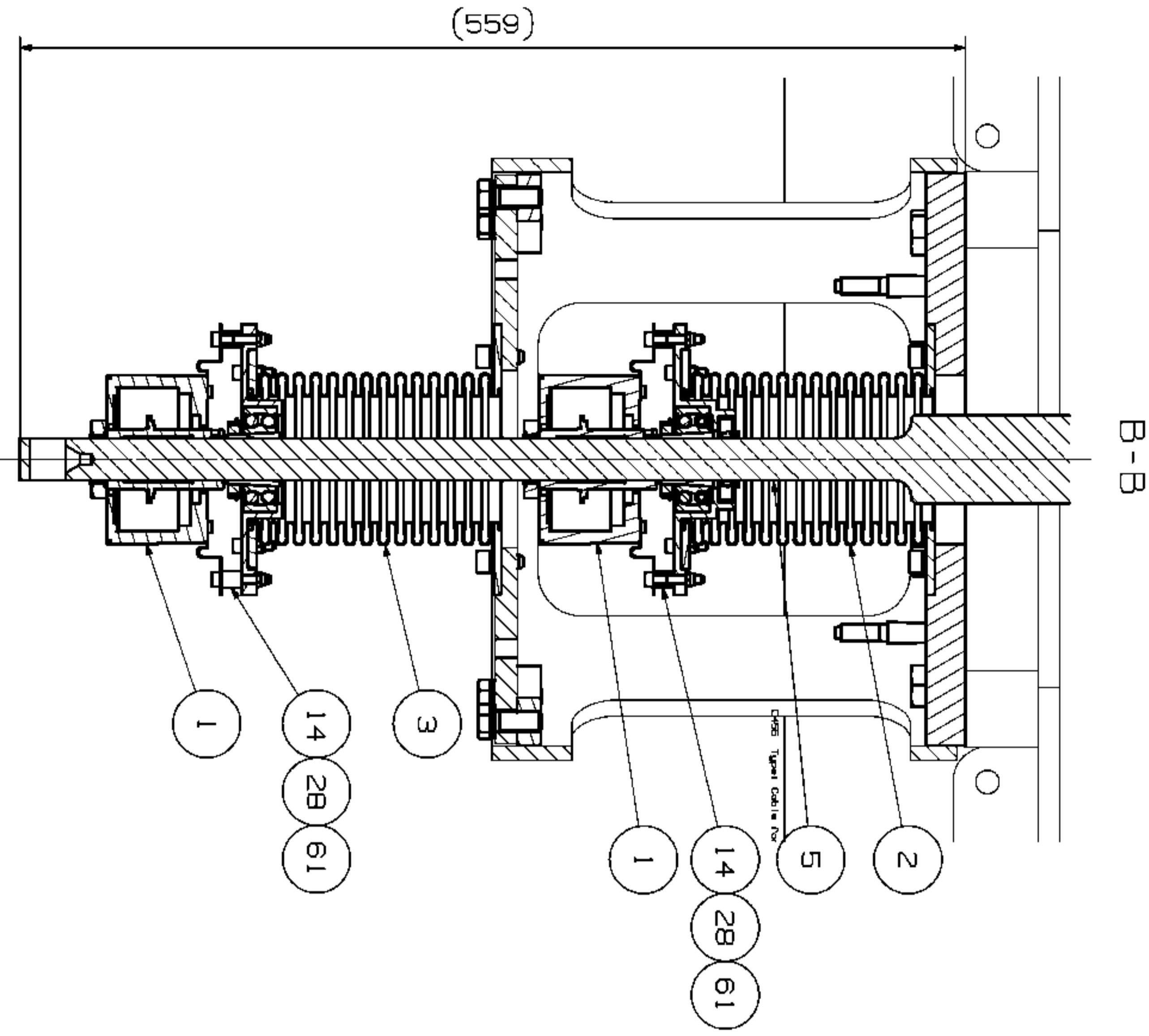
SCR 电气设备
见 SCR 相关部署

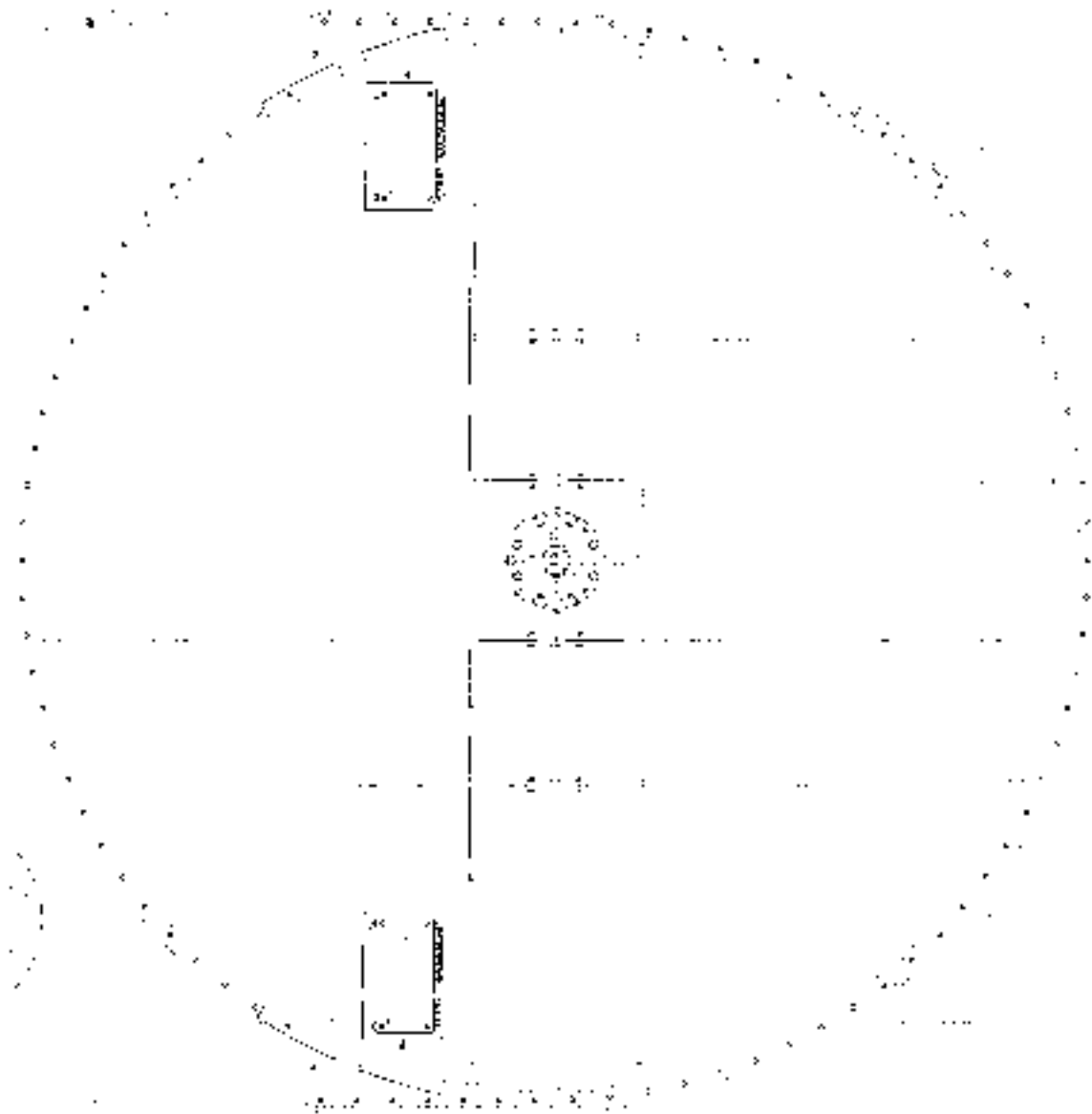
SHEET NO. 621A

ARR. OF CONTROL PANEL

REG NO.	PART NAME
F	SUPPORT
1	SUPPORT
13	WASHER
14	GASKET
24	CABLE TRAY
26	CABLE TRAY
27	CABLE TRAY
28	CABLE TRAY
29	GASKET
30	GASKET
32	SCREW
42	NAME PLATE
43	NAME PLATE
78	CLAMP NUT W. SPRING
126	CABLE TRAY
301	ECC1
302	ECC2
303	SCU
306	NAME PLATE
307	NAME PLATE

SHEET NO. 623C BRACKER MOUNT. OF ENCODER

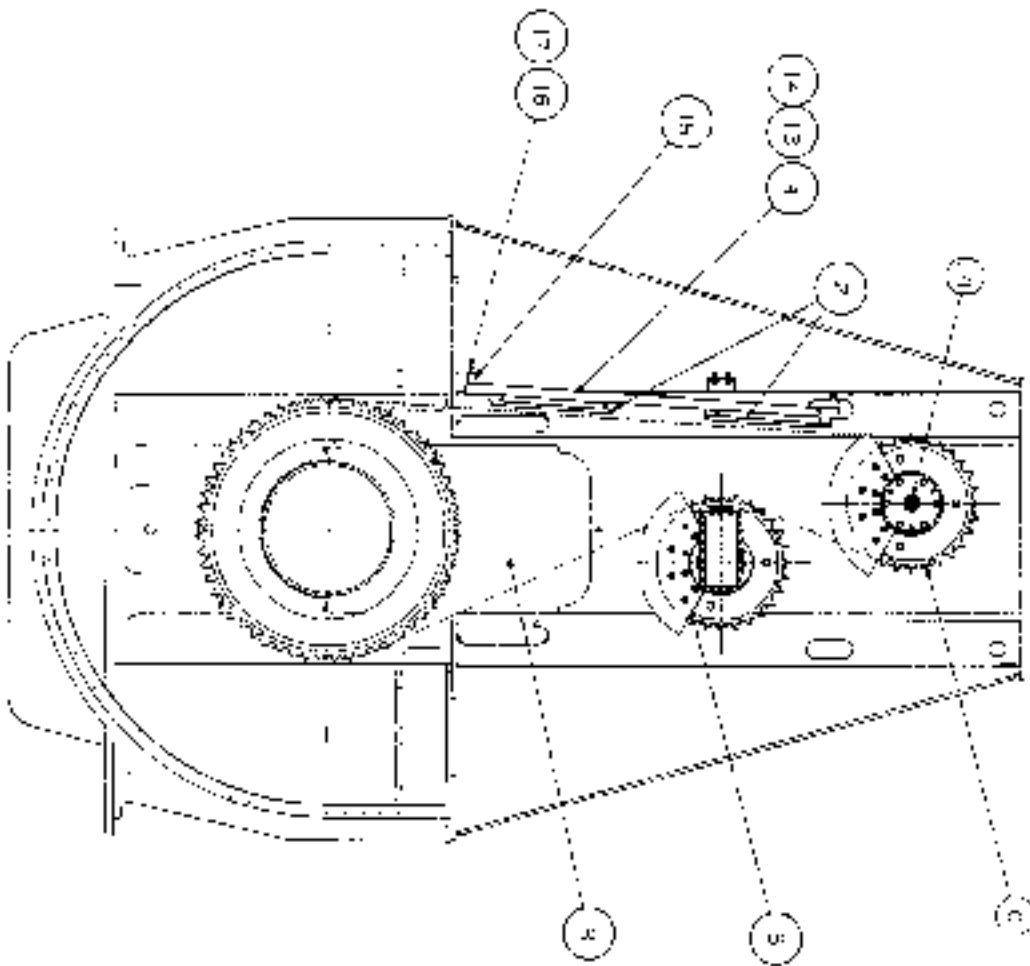




SHELL NO. 6230

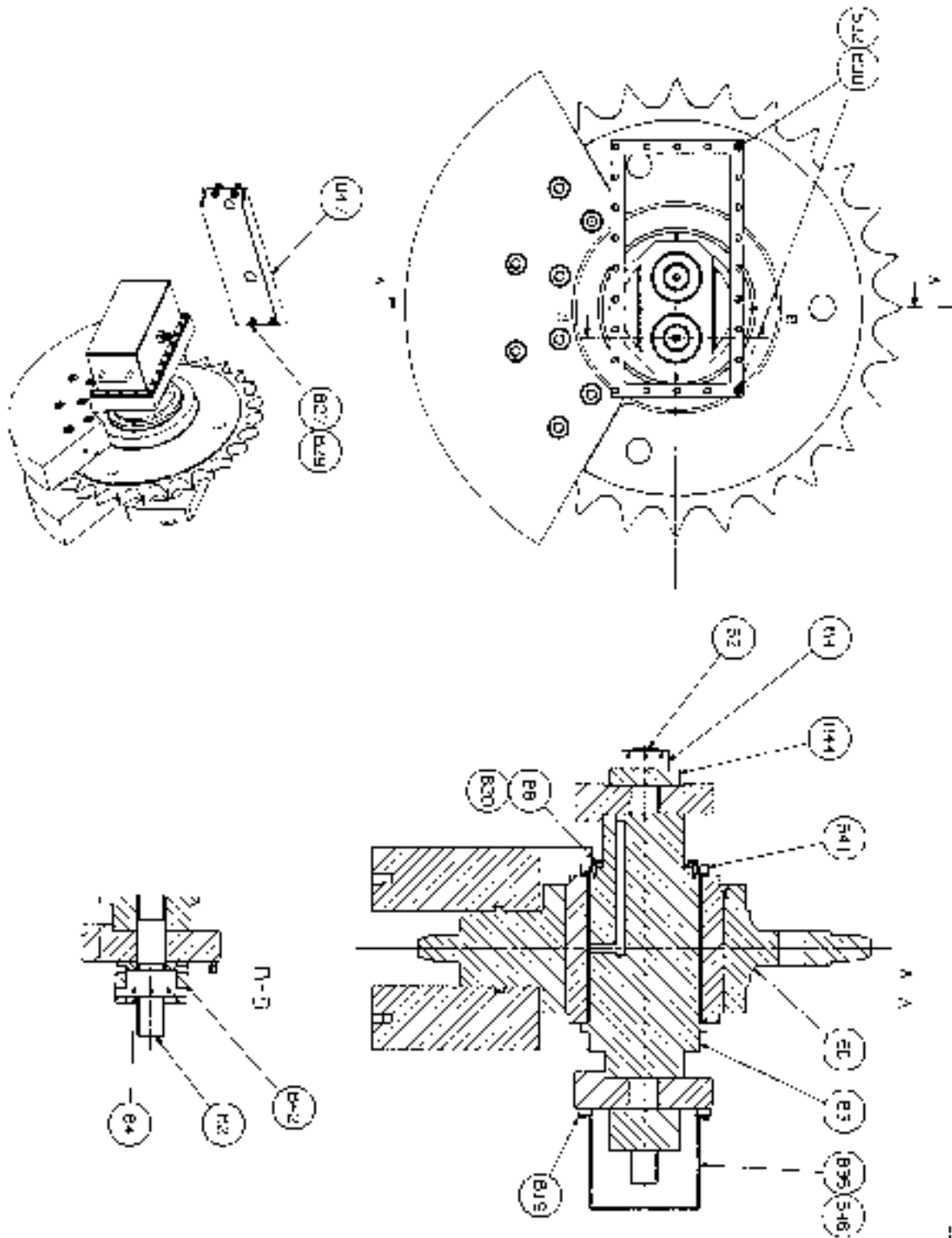
SHACKER MOUNT OF ENCODER

BLG NO	PART NAME
E	SUPPORT
E	SUPPORT
F	SUPPORT
1	ANGLE ENCODER
2	BEARING
3	BEARING
4	AMPLIFIER
5	SHAFT
6	BUSHING
10	FLANGE
14	DISTANCE PIECE
15	STUD
16	STUD
18	STUD
20	STUD
21	STUD
22	STUD
23	GASKET
24	GASKET
25	GASKET
26	GASKET
27	GASKET
28	NUT
29	PIN
30	PIN
34	NUT
50	GLUL
62	LOCKING WIRE
53	NAME PLATE
54	NAME PLATE
55	PROTECTIVE COVER
60	STUD
61	STUD
65	NAME PLATE



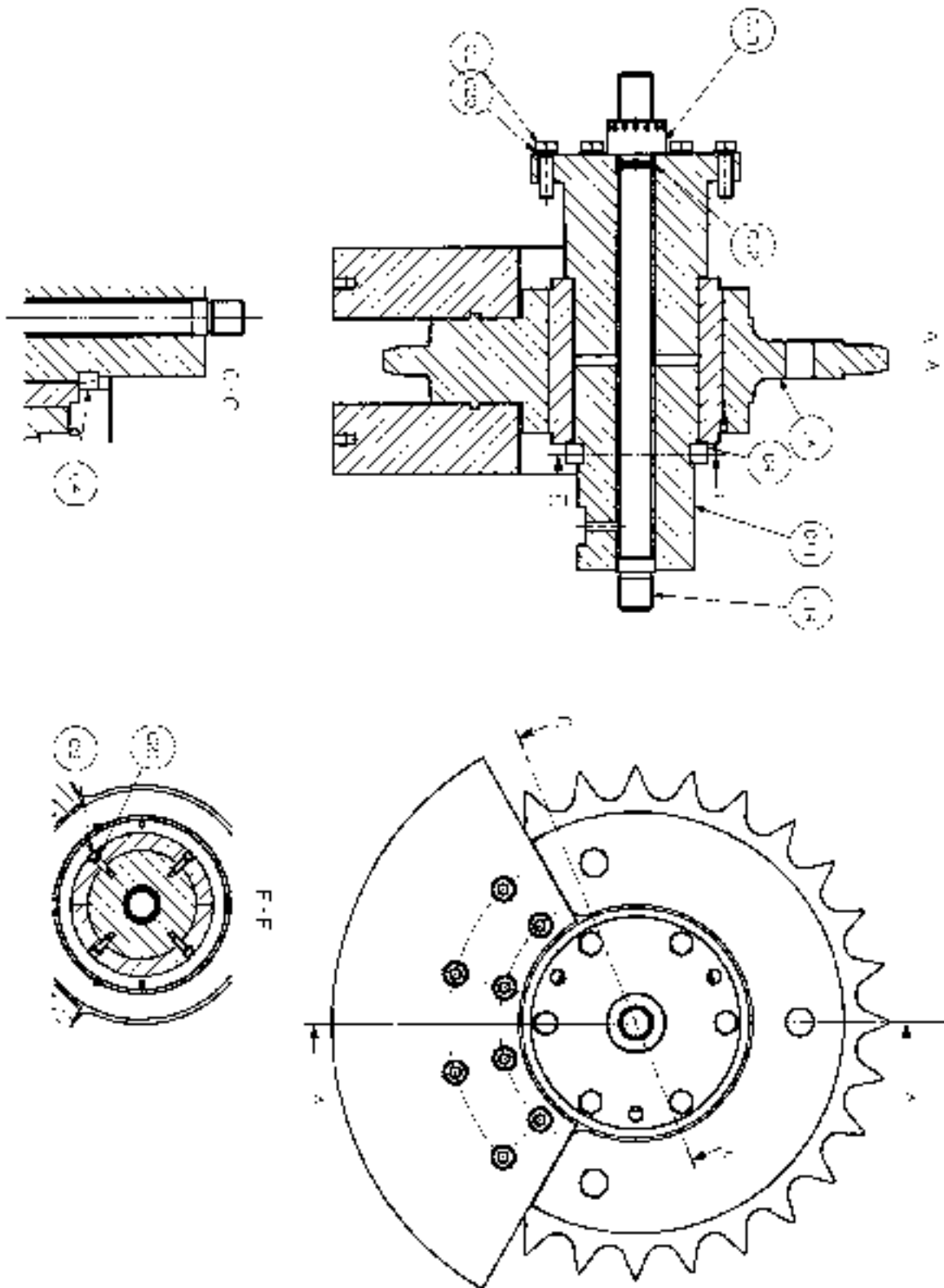
SHIFT NO 711A ADJUSTMENT OF COMPENSATOR

REG NO.	NAME	REG NO.	NAME
B	MOUNT OF CHAIN TIGHTENING		
B	D MOUNT OF FLYWEIGHT		
B	2 STUD, REDUCED SHANK		
B	3 SHAFT		
B	4 NUT		
B	8 STUD		
B	10 STUD		
B	27 STUD		
B	28 LOCKING WASHER		
B	29 NUT		
B	32 NUT		
B	36 COVER		
B	38 STUD		
D	41 BUSHING		
D	42 SUPPORT FOR HYDRAULIC JACK		
D	44 SUPPORT FOR HYDRAULIC JACK		
D	46 WASHER		
D	47 SECTIONAL IRON		
C	MOUNT OF FLYWEIGHT		
C	A MOUNT OF FLYWEIGHT		
C	4 BUSHING		
C	5 STUD		
C	9 STUD		
C	11 SHAFT		
C	17 SEALING RING		
C	19 NUT		
C	14 STUD		
C	20 PACKING RING		
C	21 PACKING RING		
R	C-12 N		
	2 GUIDE BAR		
	4 BEAM FOR GUIDE BAR		
	13 STUD		
	14 PACKING RING		
	15 WASHER		
	16 STUD		
	17 PACKING RING		
	178 PROTECTIVE JACKET		



SHEET NO 711A ADJUSTMENT OF COMPENSATOR

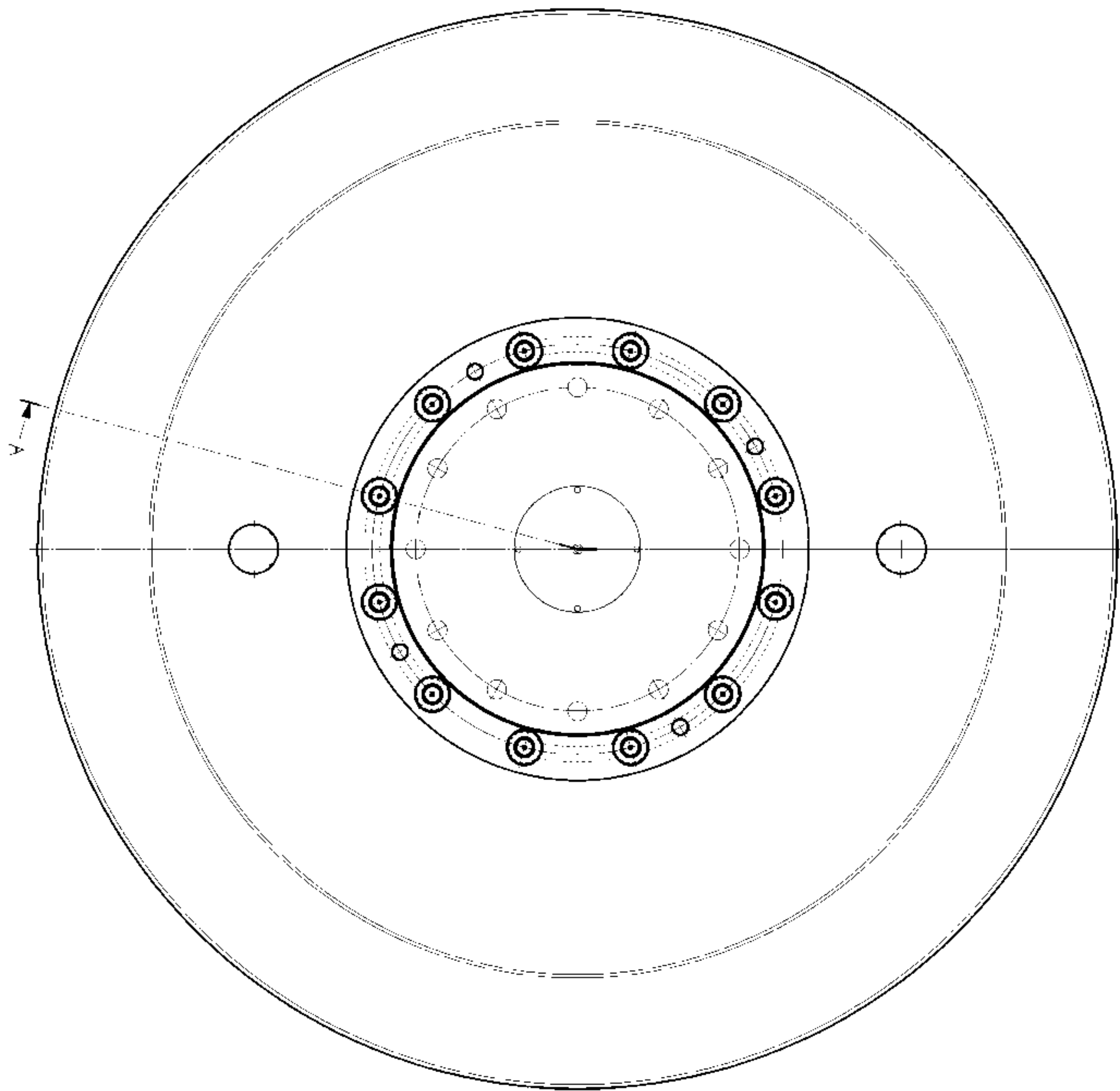
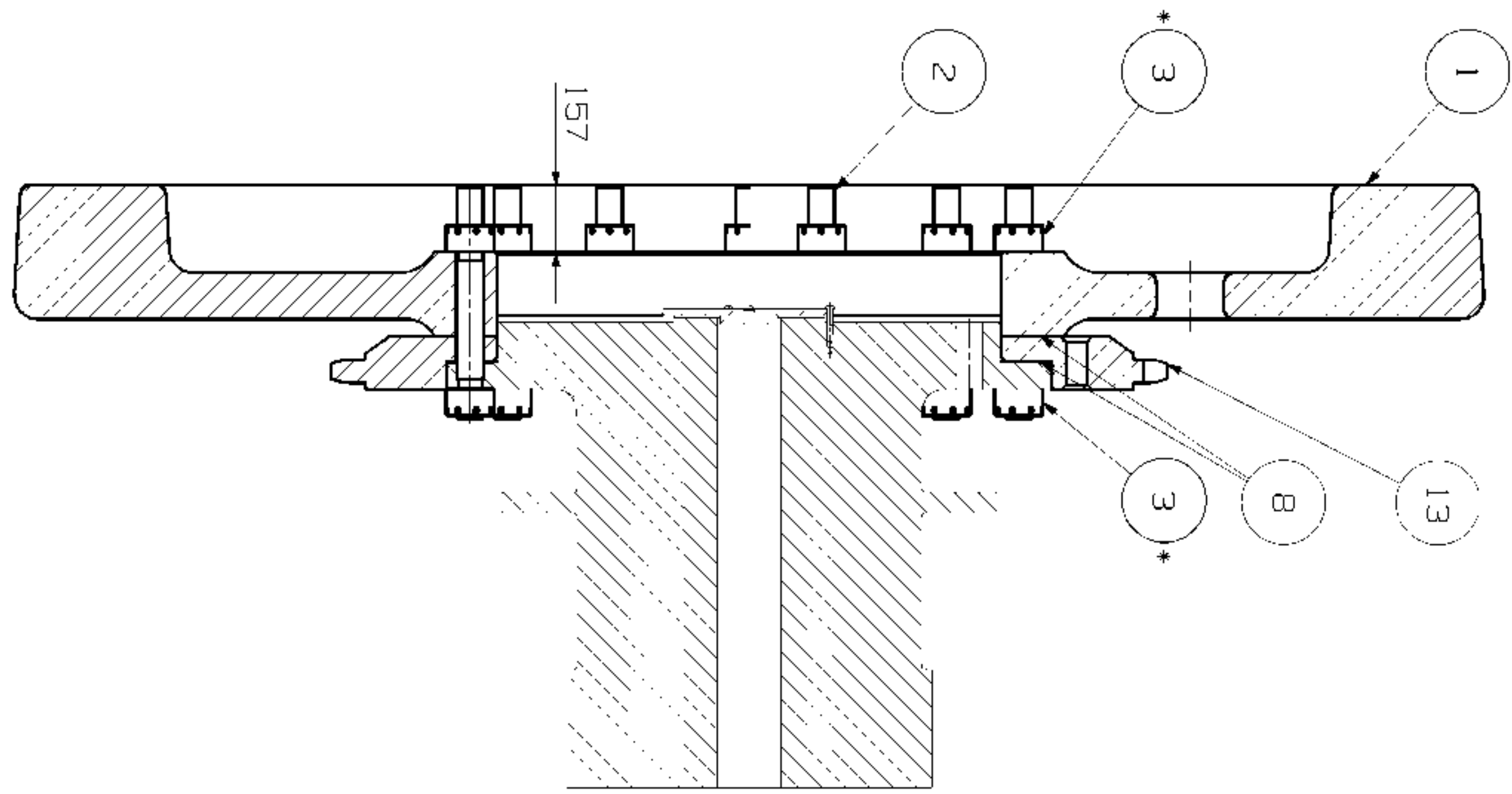
REG NO.	NAME	REG NO.	NAME
2	MOUNT OF CHAIN GHTING		
2	D MOUNT OF FLYWEIGHT		
2	2 STUD, REDUCED SHAFT		
2	3 SHAF		
2	4 NUT		
2	8 STUD		
2	19 STUD		
2	27 STUD		
2	28 LOCKING WASHER		
2	29 NUT		
2	32 NUT		
2	36 COVER		
2	38 STUD		
2	41 BUSHING		
2	42 SUPPORT FOR HYDRAULIC JACK		
2	44 SUPPORT FOR HYDRAULIC JACK		
2	45 WASHER		
2	47 SECTIONAL IRON		
C	MOUNT OF FLYWEIGHT		
C	A MOUNT OF FLYWEIGHT		
C	4 BUSHING		
C	3 STUD		
C	5 STUD		
C	11 SHAF		
C	12 S-RING RING		
C	13 NUT		
C	14 STUD		
C	20 PACKING RING		
C	21 PACKING RING		
D	CHAIN		
	2 GUIDE BAR		
	4 BEAM FOR GUIDE BAR		
	13 STUD		
	14 PACKING RING		
	15 WASHER		
	16 STUD		
	17 PACKING RING		
	17B PROTECTIVE JACKET		



SHEET NO 711A ADJUSTMENT OF COMPENSATOR

REG NO.	NAME	REG NO.	NAME
B	MOUNT OF CHAIN GHTING		
B	D MOUNT OF FLYWEIGHT		
B	2 STUD,REDUCED SHANK		
B	3 SHAFT		
B	4 NUT		
B	8 STUD		
B	13 STUD		
B	27 STUD		
B	28 LOCKING WASHER		
B	29 NUT		
B	32 NUT		
B	36 COVER		
B	38 STUD		
B	41 BUSHING		
B	42 SUPPORT FOR HYDRAULIC JACK		
B	44 SUPPORT FOR HYDRAULIC JACK		
H	46 WASHER		
R	47 SECTIONAL IRON		
C	MDUNT OF FLYWEIGHT		
C	A MDUNT OF FLYWEIGHT		
C	4 BUSHING		
C	5 STUD		
C	9 STUD		
C	11 SHAFT		
C	12 SEALING RING		
C	13 NUT		
C	14 STUD		
C	20 PACKING RING		
C	21 PACKING RING		
K	CHAIN		
	2 GUIDE BAR		
	4 BEAM FOR GUIDE BAR		
	13 STUD		
	14 PACKING RING		
	15 WASHER		
	16 STUD		
	17 PACKING RING		
	178 PROTECTIVE JACKET		

SHEET NO. 711C TUNNING WHEEL



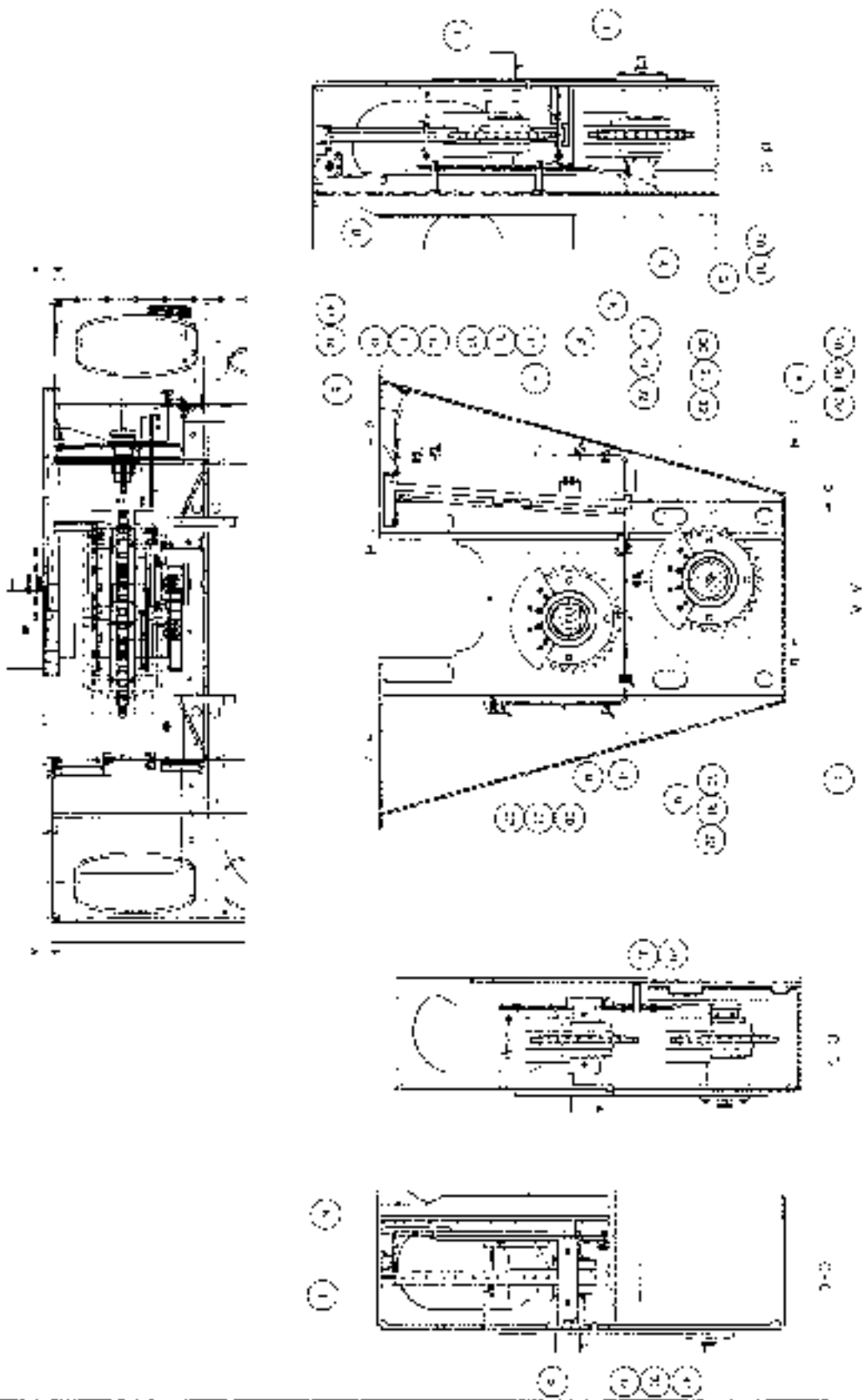
428 Viewed from 130 Fore.
前端视图

Cyl. 1 459 Top dead centre.
一号缸上止点位置

SHEET NO. 711C

THRUST BEARING

REG NO.	PART NAME
1	TUNNING WHEEL
2	STUD
3	NUT
8	DISC
13	CHAIN WHEEL



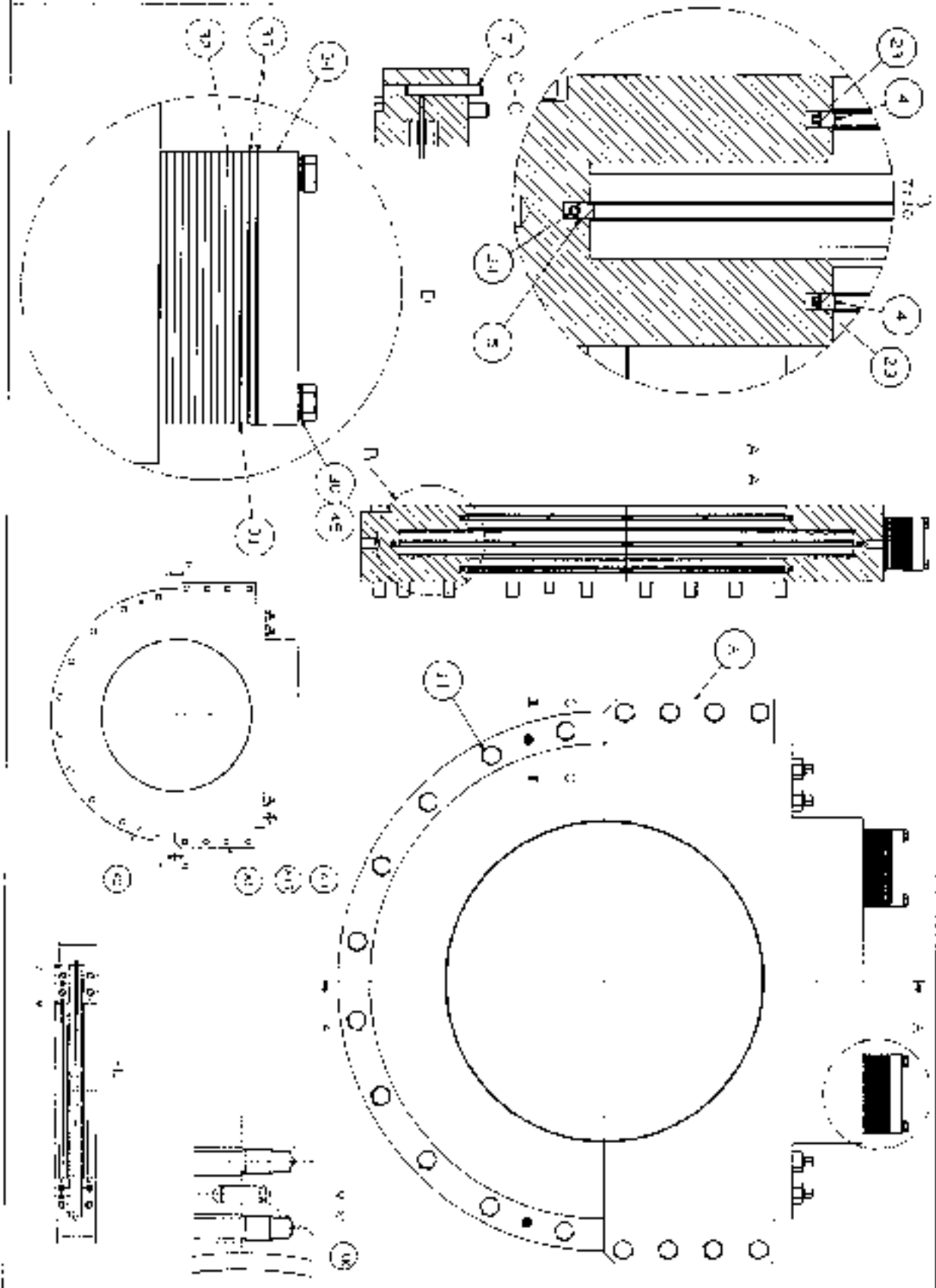
SHEET NO. 711G

ADJUSTING OF COMPENSATOR PIPE

REG NO	PART NAME
A	ADJUSTING OF COMPENSATOR PIPE
B	ADJUSTING OF COMPENSATOR PIPE
C	ADJUSTING OF COMPENSATOR PIPE
D	ADJUSTING OF COMPENSATOR PIPE
E	ADJUSTING OF COMPENSATOR PIPE
F	ADJUSTING OF COMPENSATOR PIPE
G	ADJUSTING OF COMPENSATOR PIPE
H	ADJUSTING OF COMPENSATOR PIPE
I	ADJUSTING OF COMPENSATOR PIPE
J	SUPPORT
K	SUPPORT
L	SUPPORT
M	SUPPORT
N	SUPPORT
29	STUD
30	STUD
31	GASKET
32	NUT
33	STUD
34	GASKET



SHEET NO. 7123 AXIAL VIBRATION DAMPER

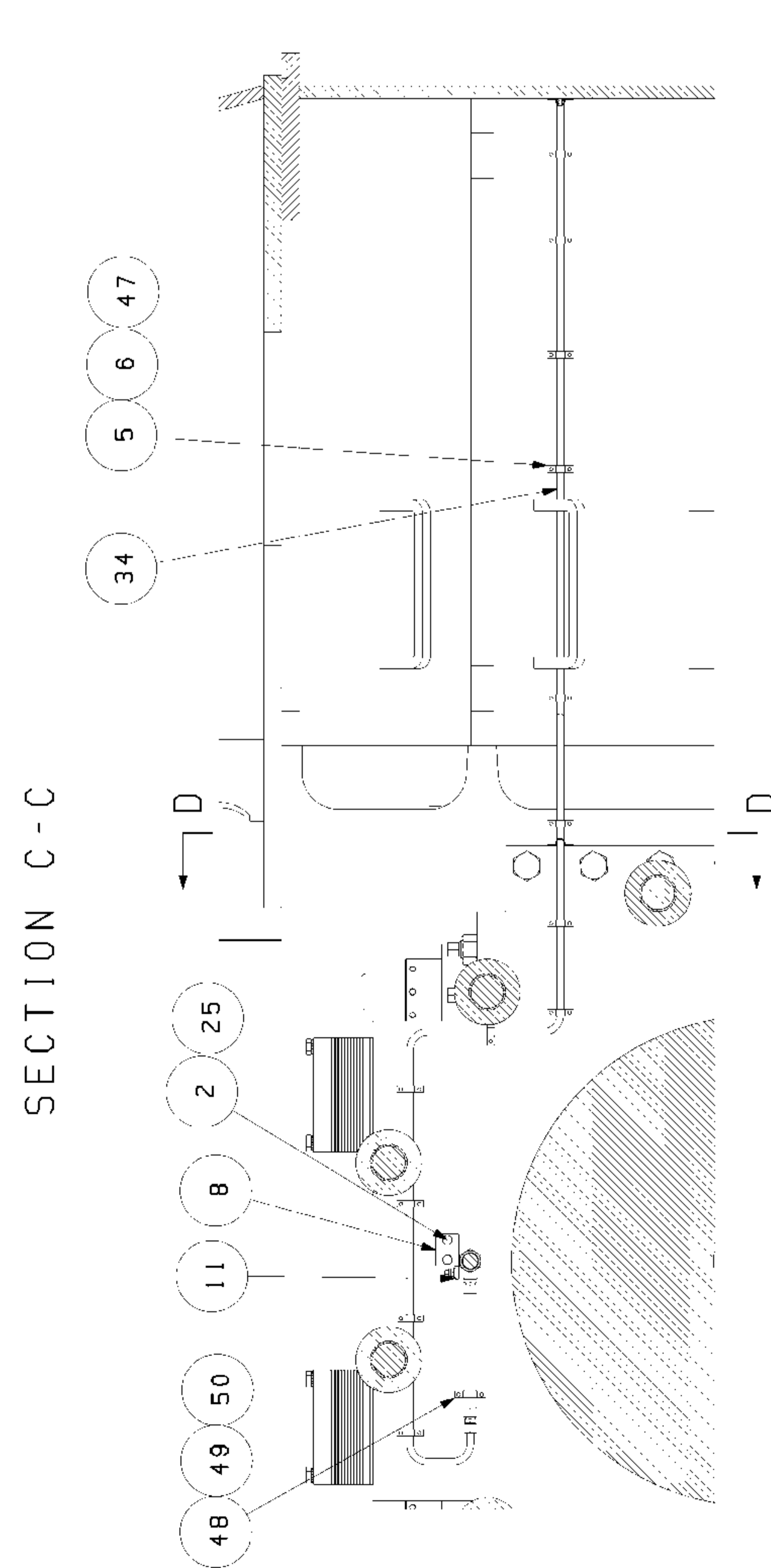
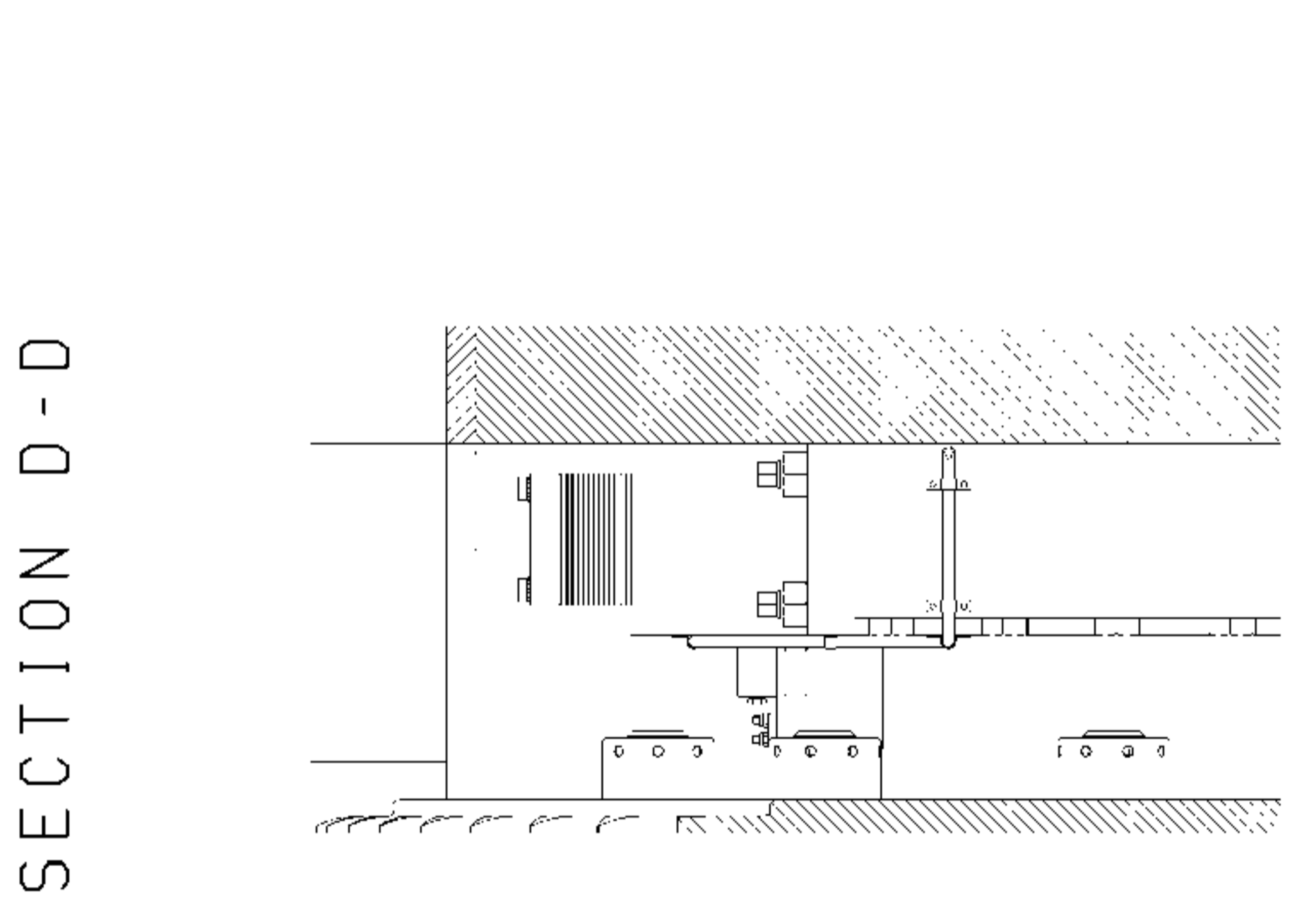
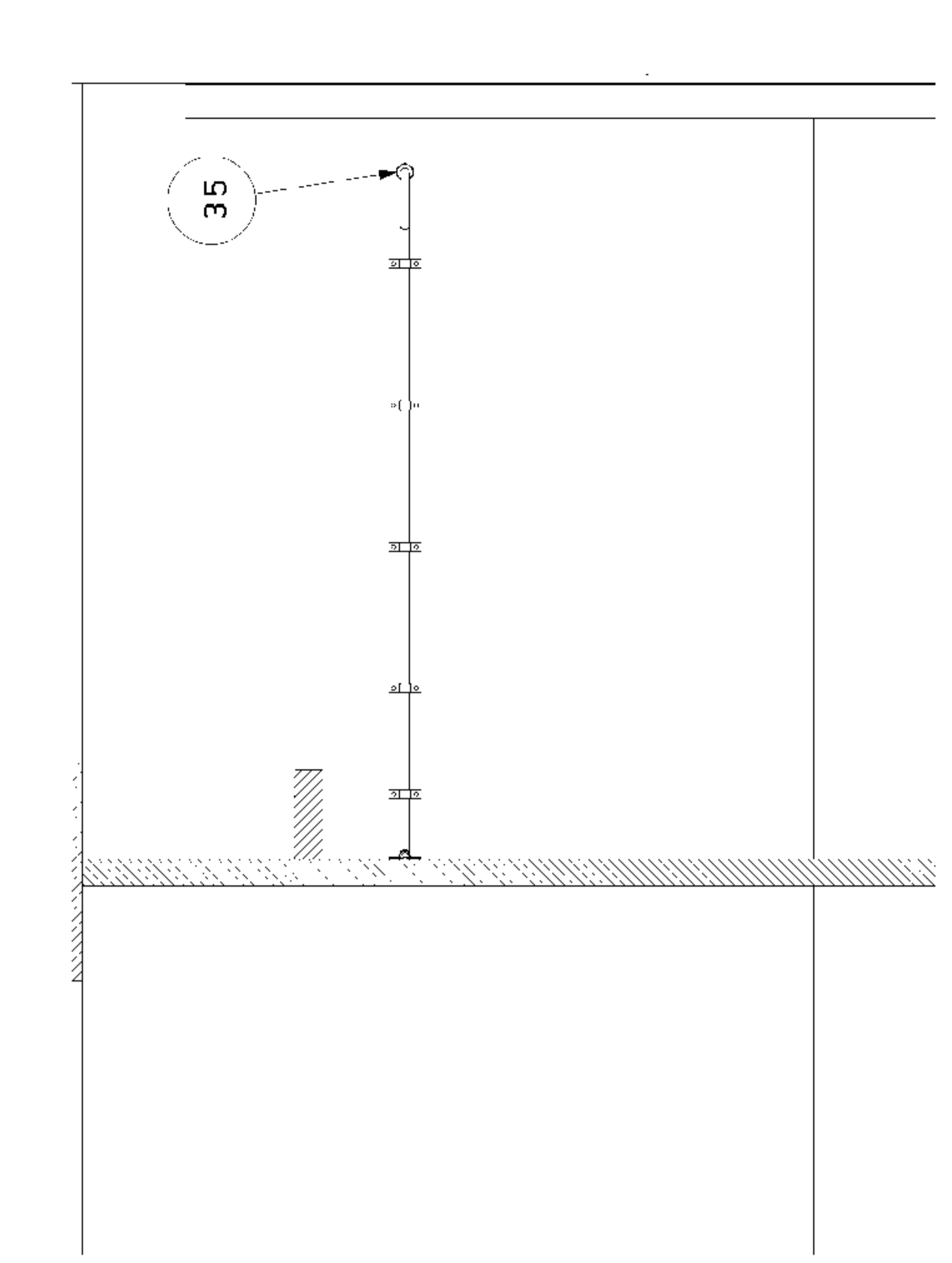
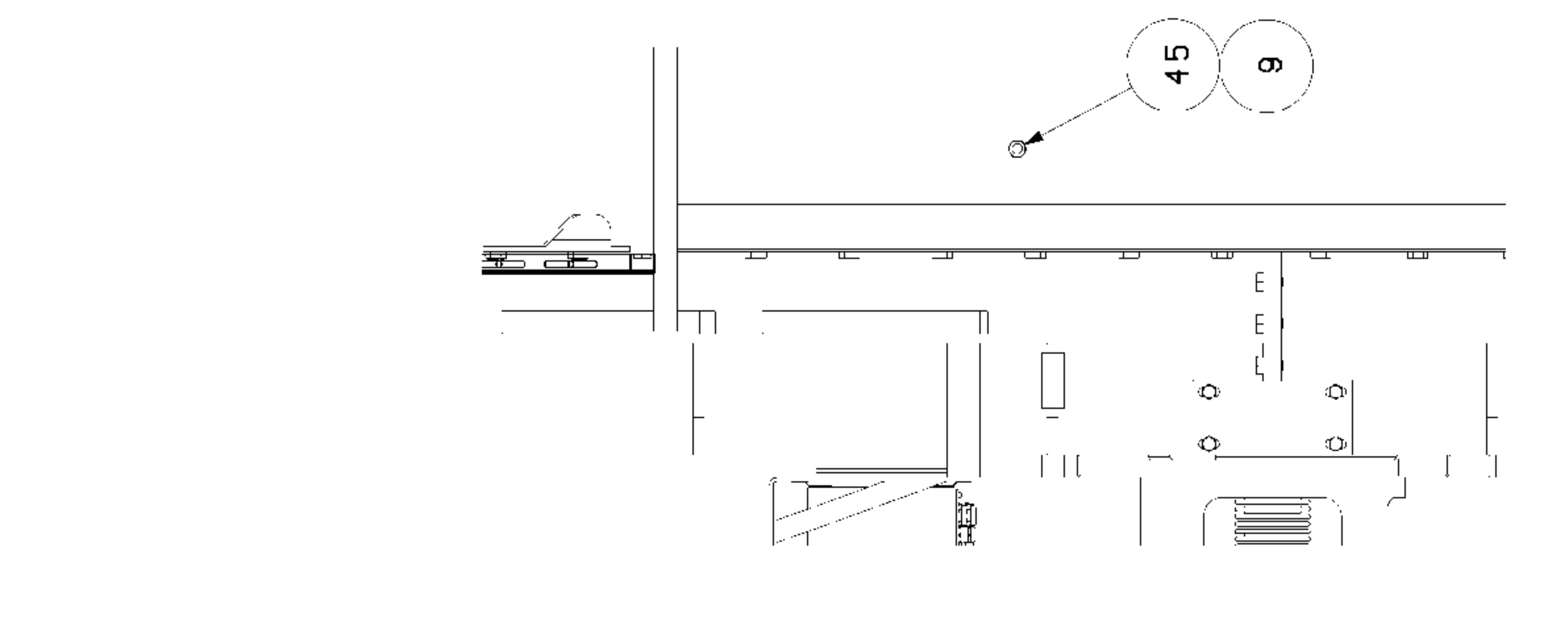
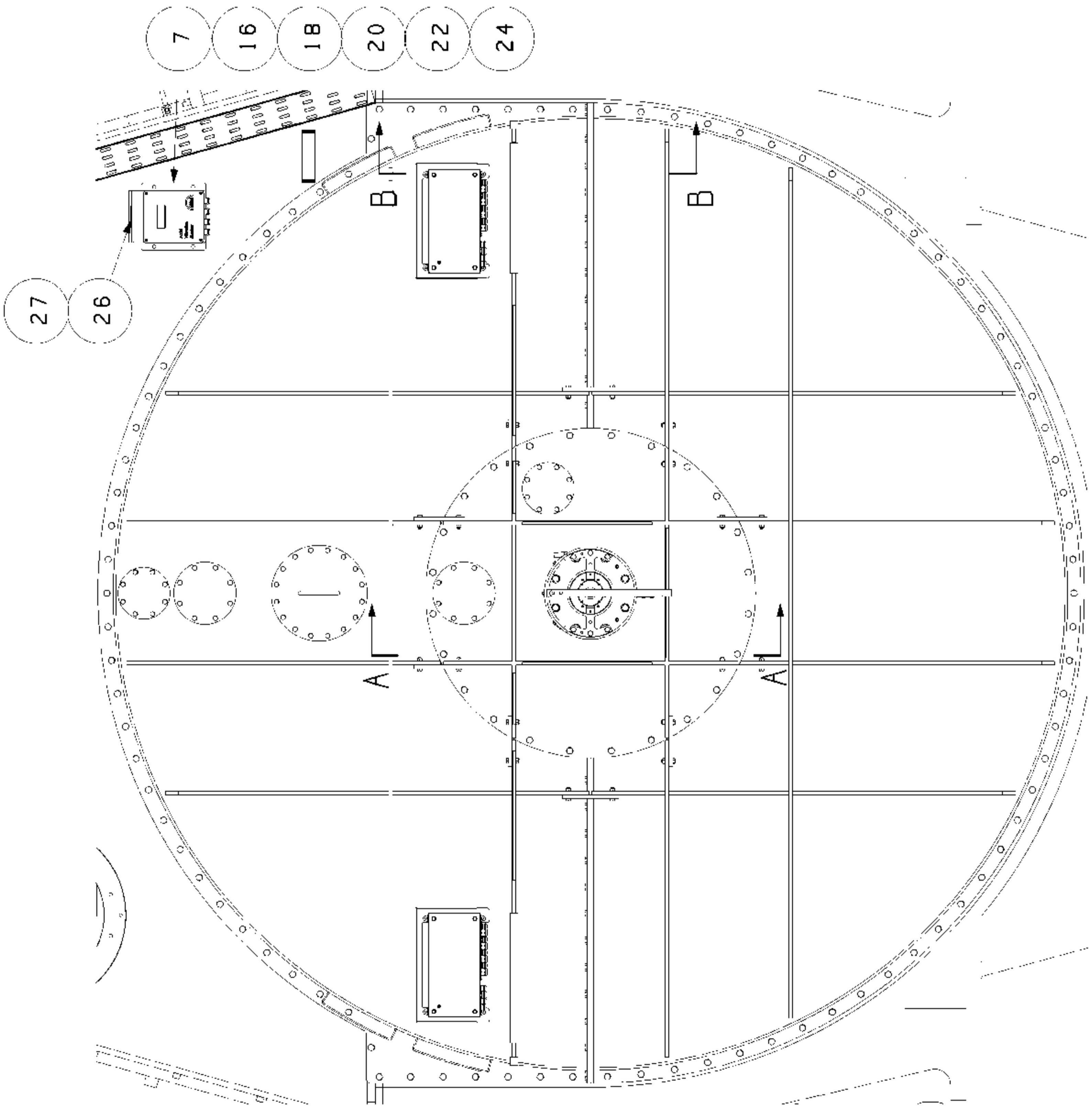
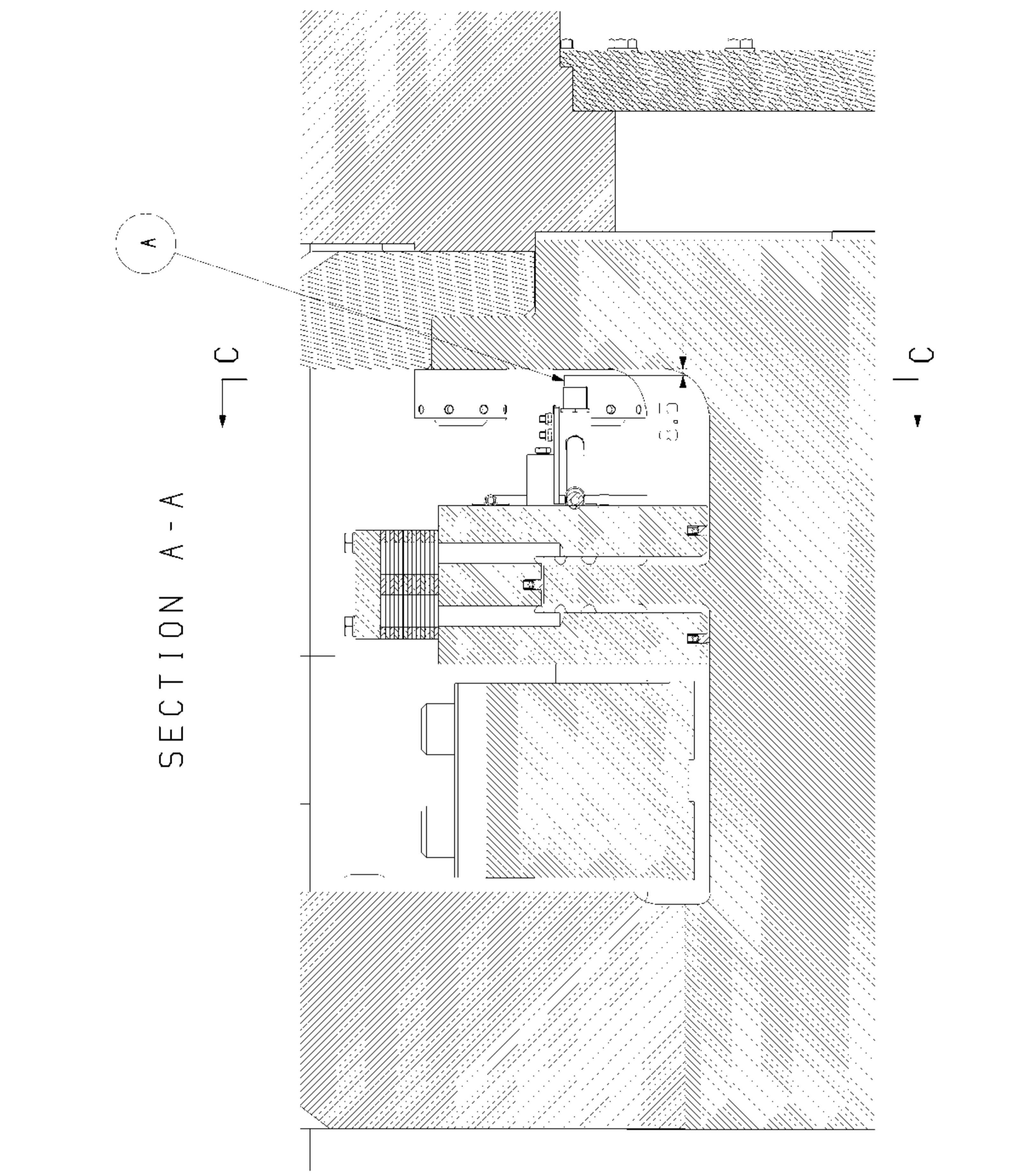


SHEET NO. 712B

AXIAL VIBRATION DAMPER

REG NO.	PART NAME
A	AXIAL VIBRATION DAMPER COMPLETE
A	AXIAL VIBRATION DAMPER
A 2	AXIAL VIBRATION DAMPER
A 3	STUD
A 3	PIN
A 17	NUT
4	OIL SEALING
5	OIL SEALING
7	PIN
11	STUD
22	SPRING
24	SPRING
30	GASKET
31	RESTRICTION FOR DAMPER
32	RESTRICTION FOR DAMPER
33	RESTRICTION FOR DAMPER
34	RESTRICTION FOR DAMPER
45	STUD

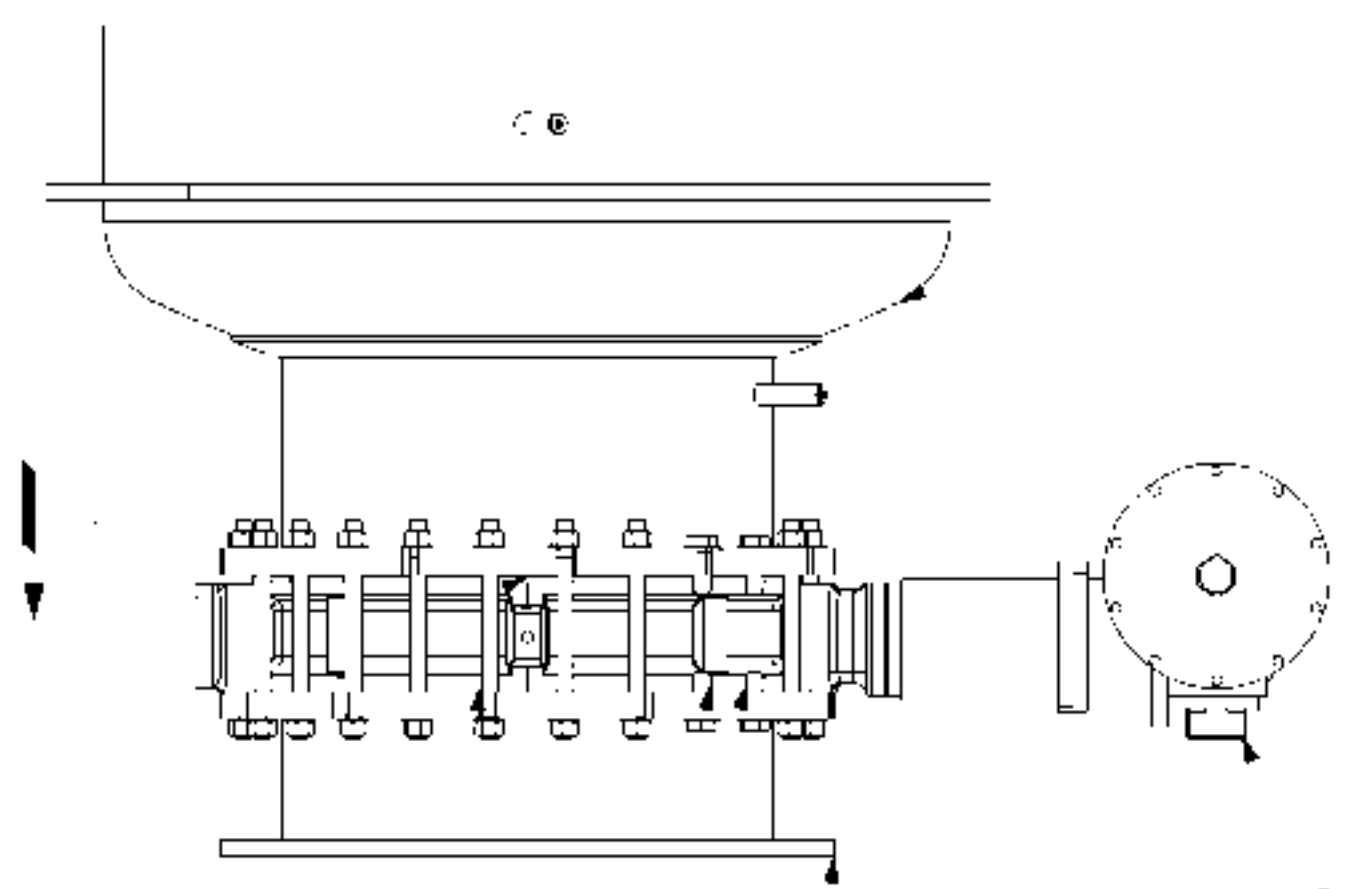
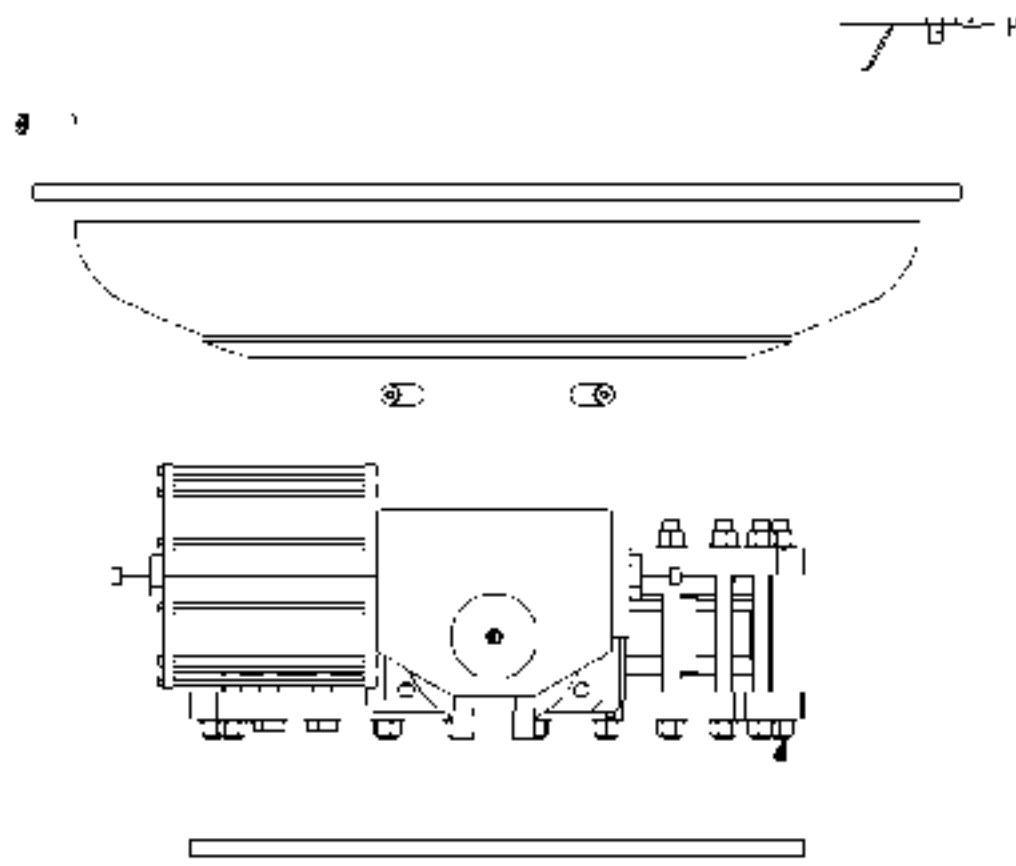
SHEET NO. 790C MOUNTING OF AX.VIBR. MONITOR



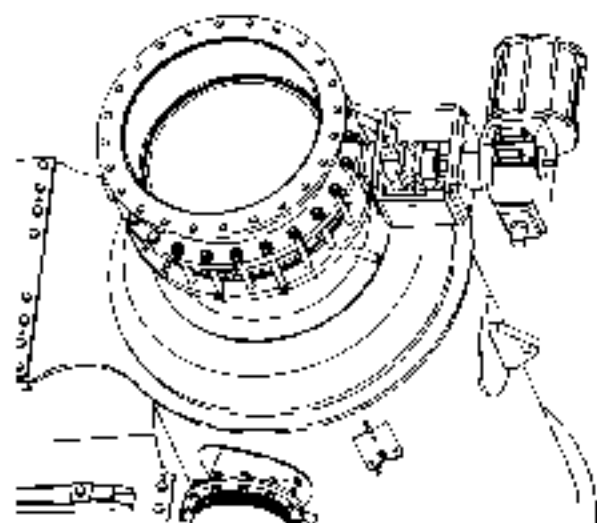
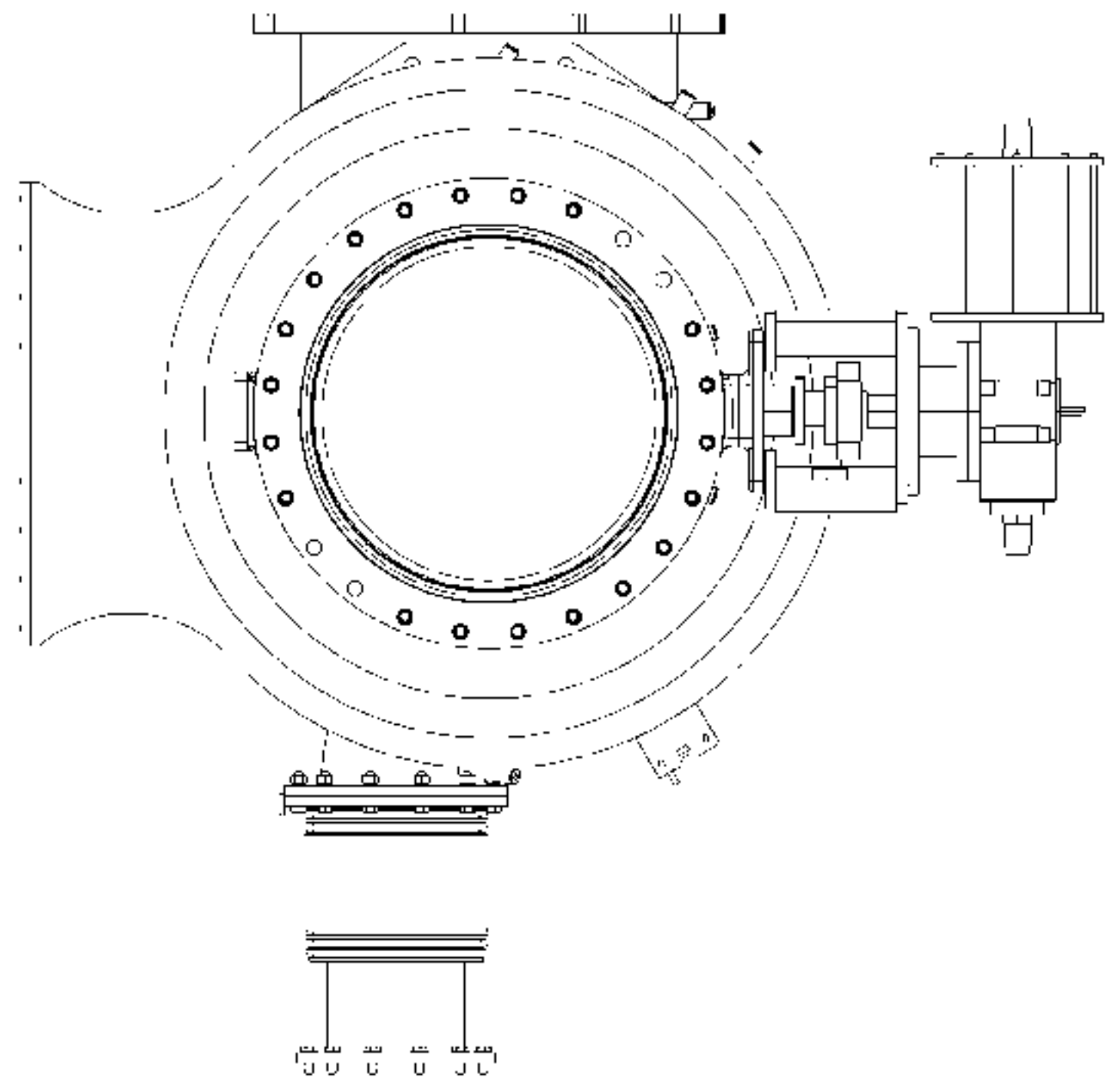
SHEET NO. 790C

MOUNTING OF AX.VIBR. MONITOR

REG NO.	PART NAME
A	AXIAL VIBRATION MONITOR
2	SCREW
5	PIPE CLAMP
6	SCREW
7	GASKET
8	SUPPORT
9	NAME PLATE
11	SHIM
16	BOLT
18	BOLT
20	NUT
22	SUPPORT
24	GASKET
25	SHIM
26	NAME PLATE
27	SCREW
34	AVM CABLE PIPE
35	PIPE UNION
44	PIPE UNION
45	CABLE GLAND
47	SHIM
48	PIPE CLAMP
49	SCREW
50	GASKET

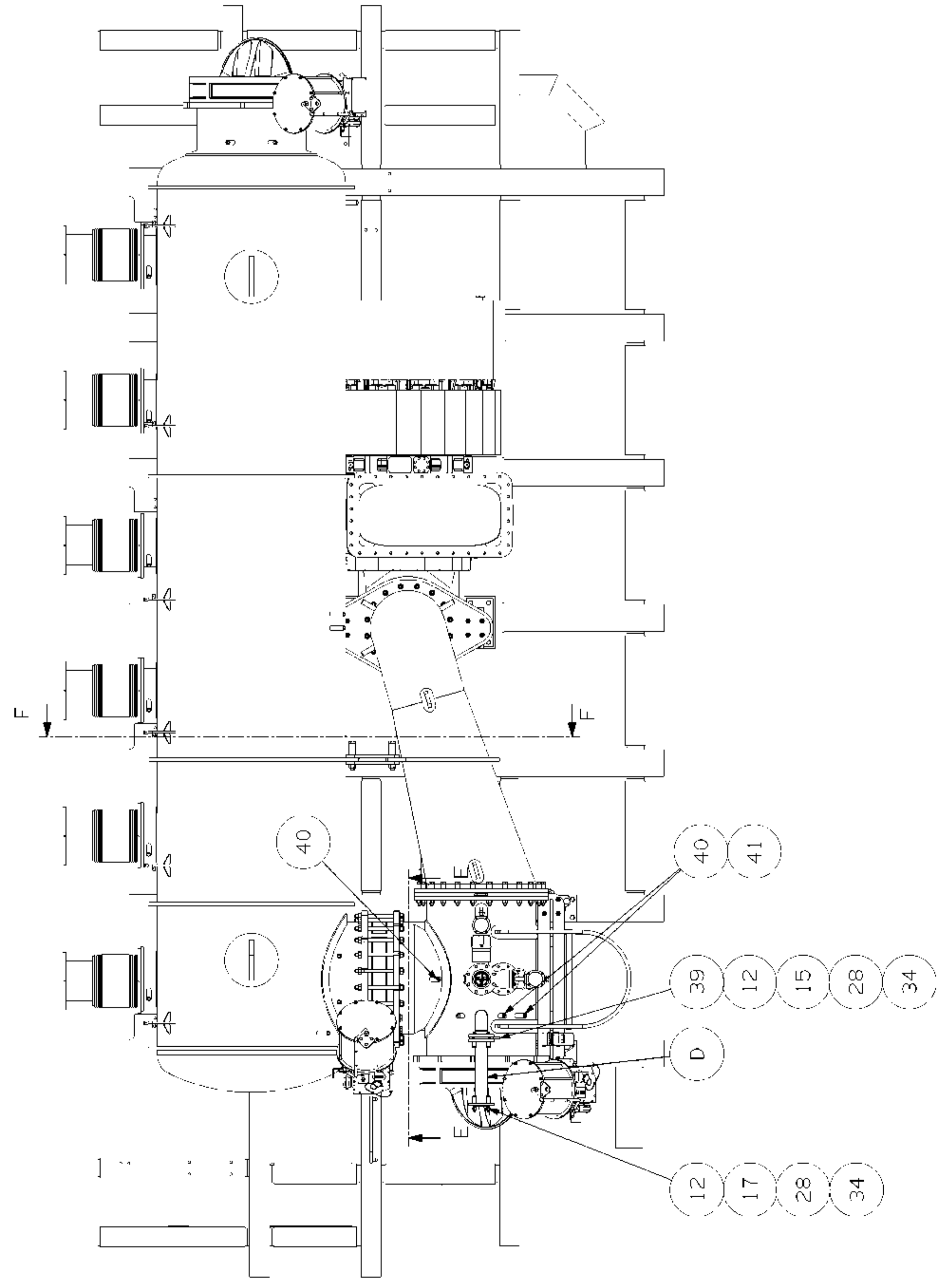
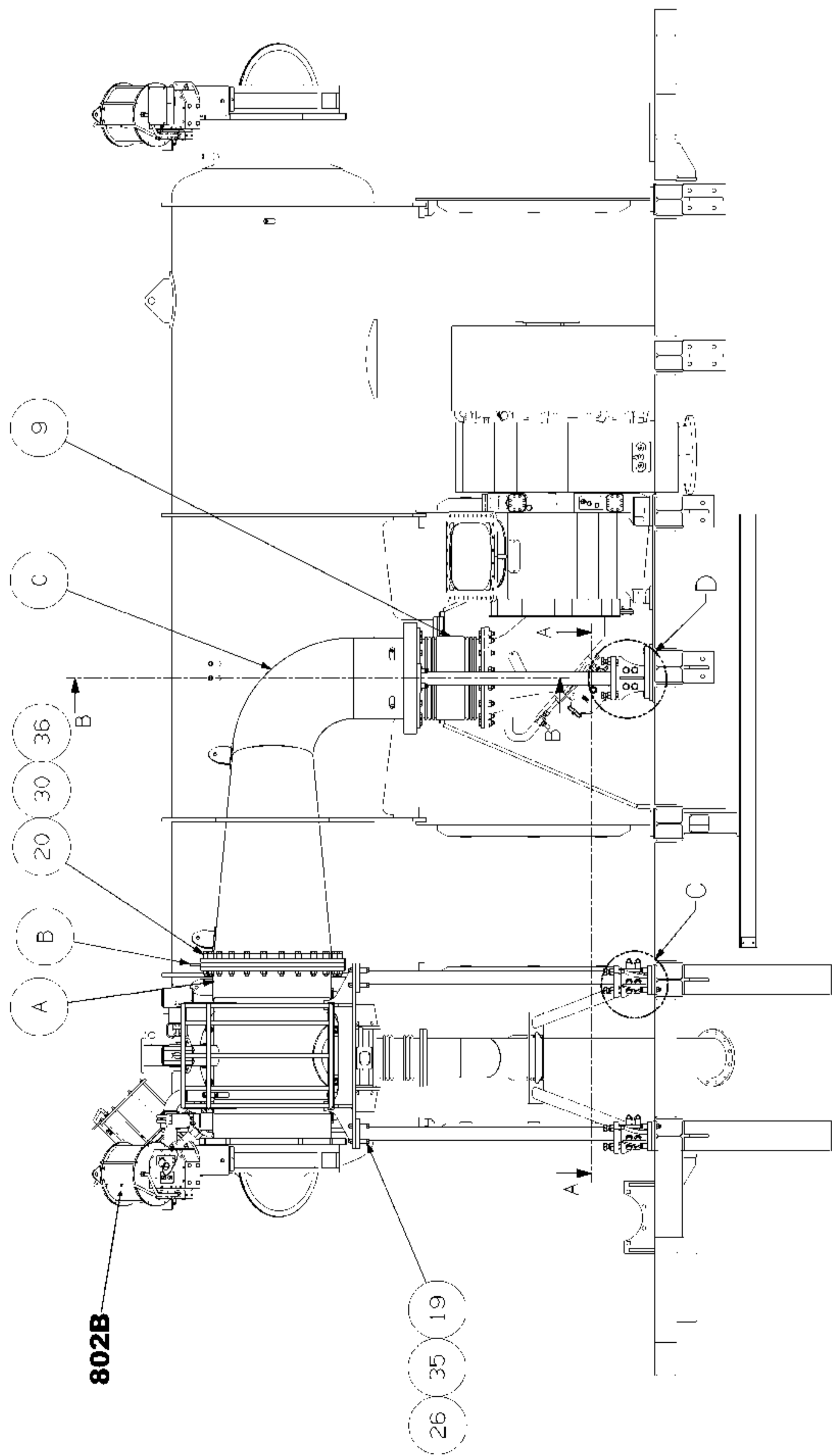
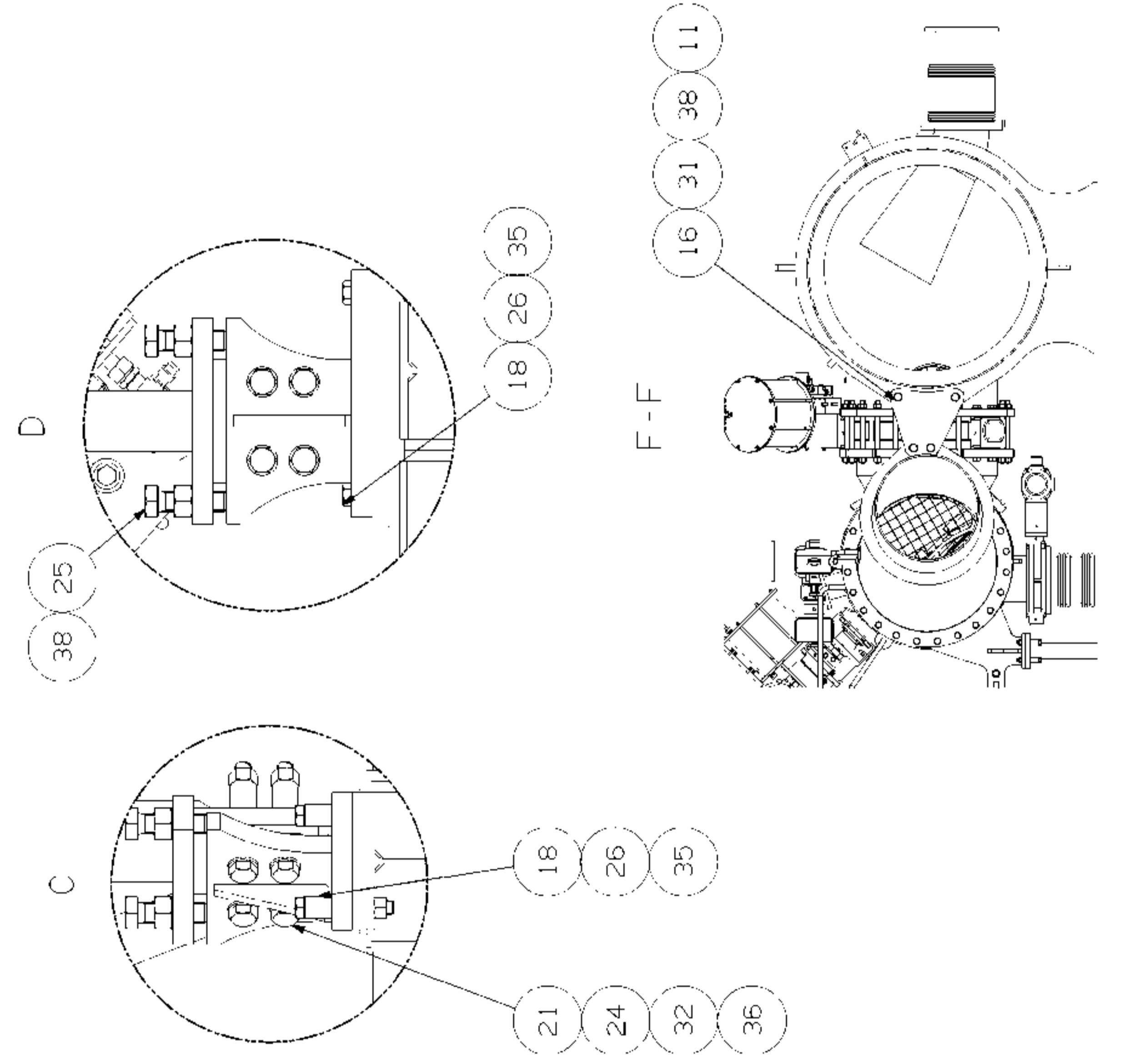
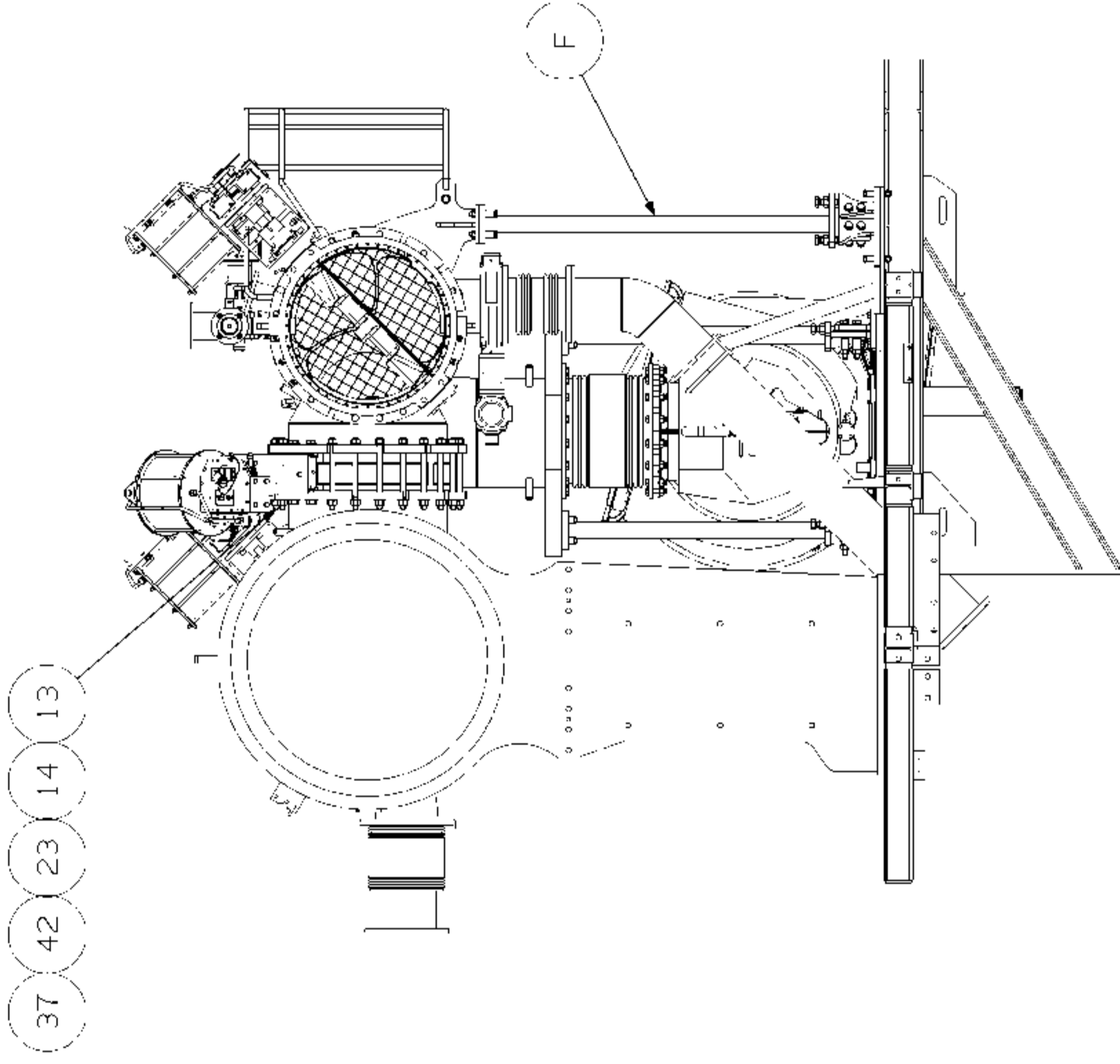
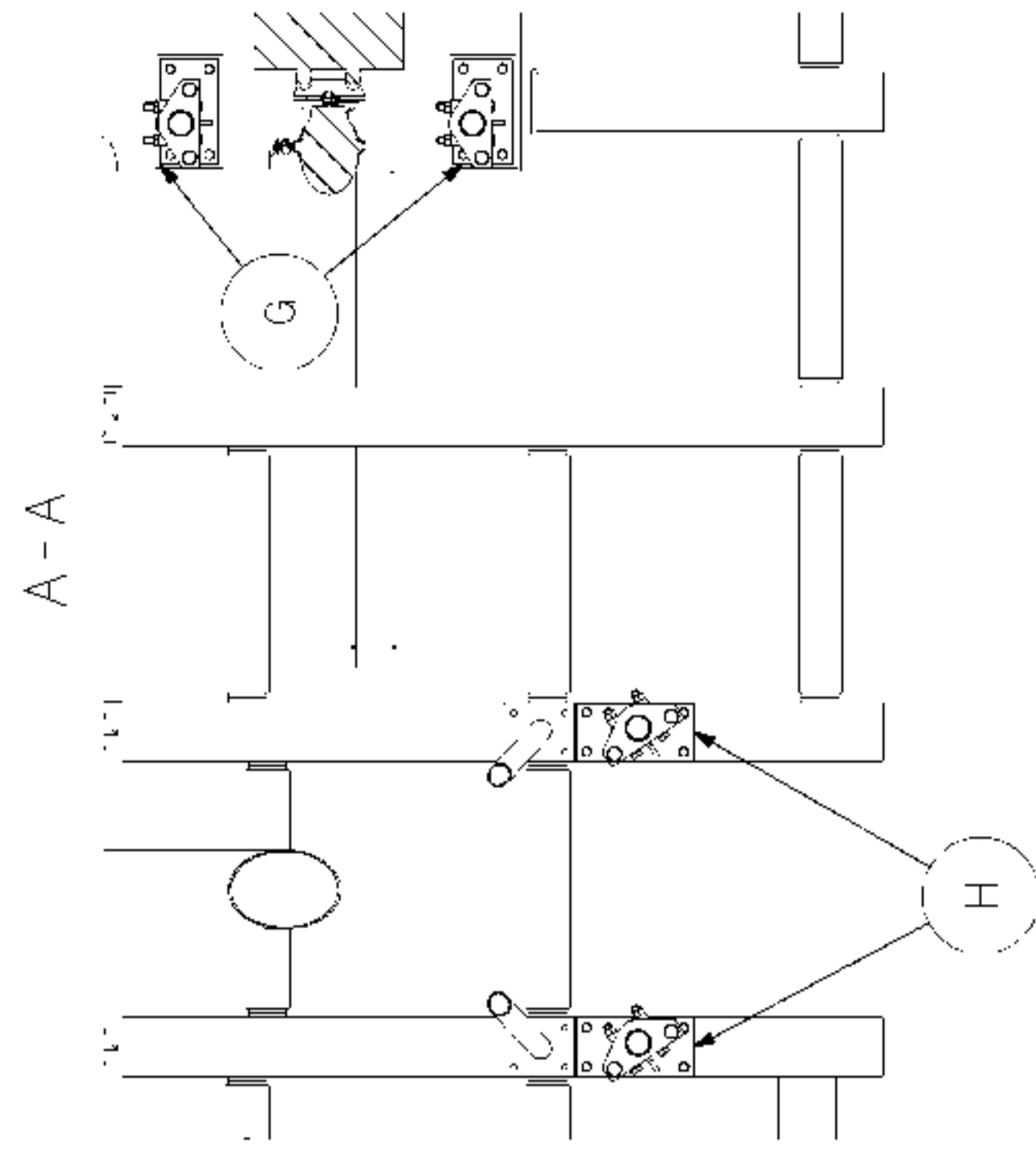
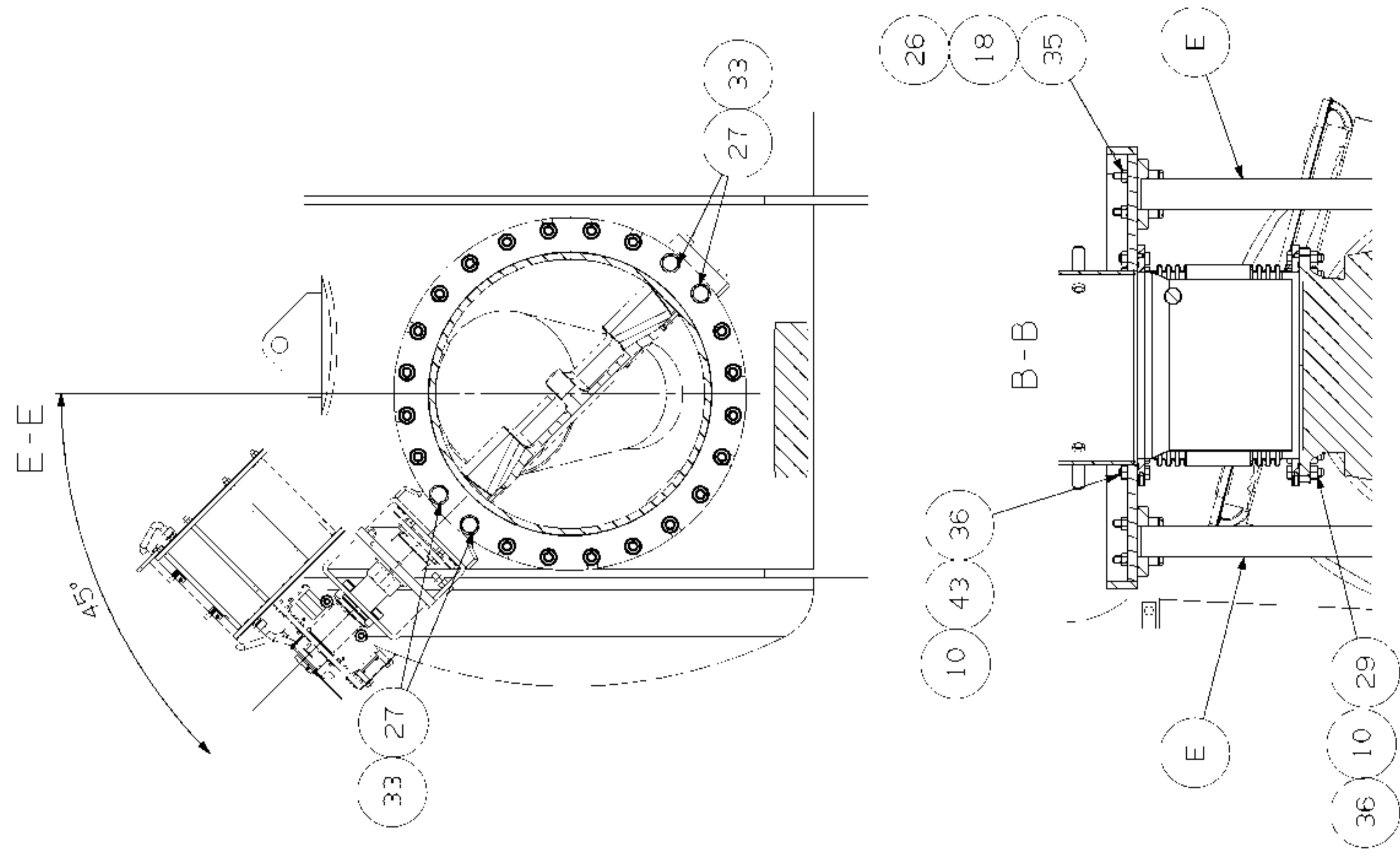


802A



SHEET NO. 801A
SCR INLET ARR.

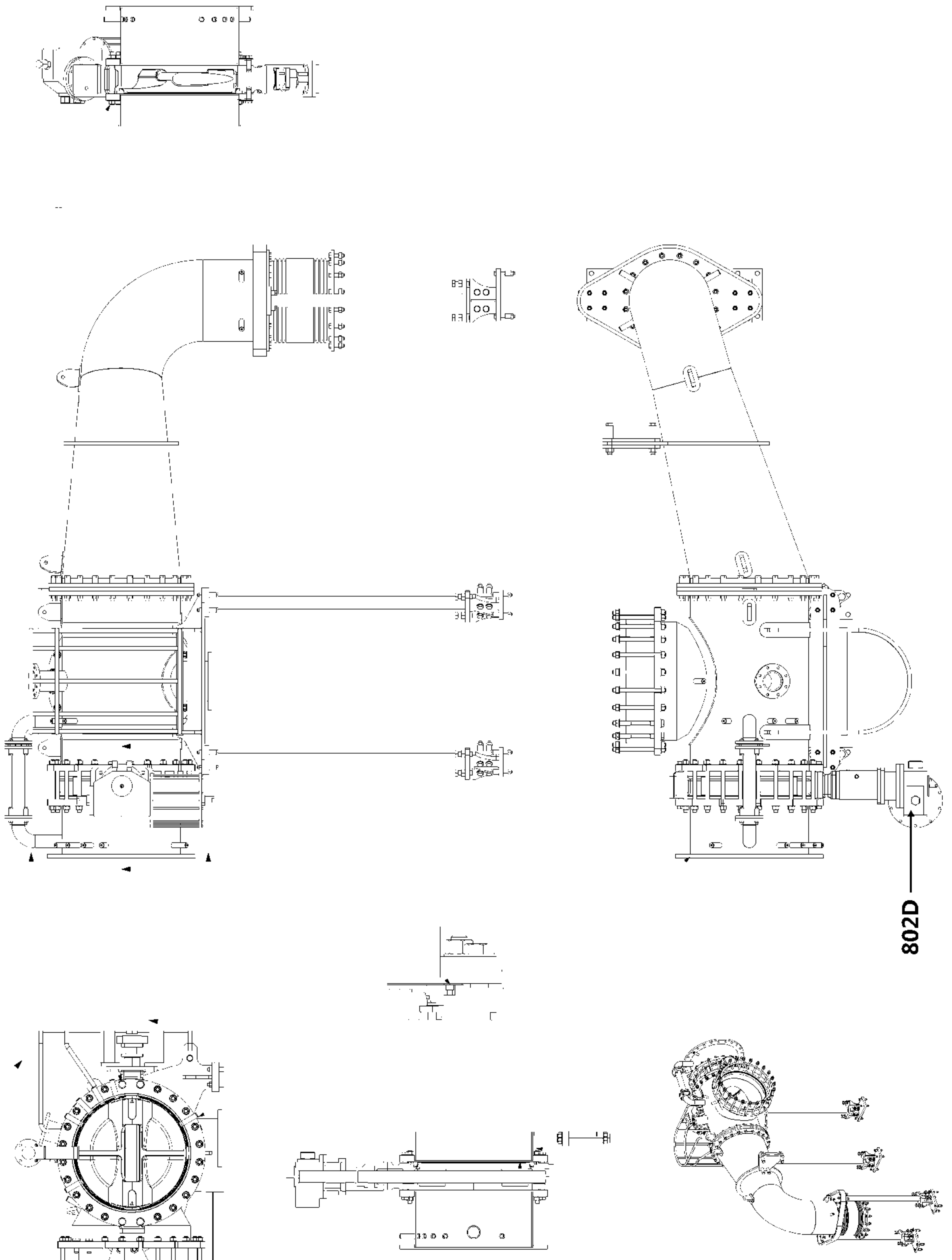
REG NO.	PART NAME
A	SCR PIPE
	2 SCREW
	3 PACKING
	4 WASHER
	5 STUD
	6 NUT
	7 WASHER
802A	RSV VALVE



802B

SHEET NO. 801B
T/C GAS INLET PIPE ARR.

REG NO.	PART NAME
A	SCR MANIFOLD
B	GRID
C	SCR PIPE
D	BY-PASS PIPE
E	SUPPORT
F	SUPPORT
G	FOOT PLATE
H	FOOT PLATE
	9 COMPENSATOR
	10 SEALING PACKING
	11 PLATE
	12 PACKING
	13 PACKING
	14 SEALANT
	15 DISTANCE PIPE
	16 DISTANCE PIPE
	17 DISTANCE PIPE
	18 DISTANCE PIPE
	19 DISTANCE PIPE
	20 DISTANCE PIPE
	21 DISTANCE PIPE
	23 STUD
	24 STUD
	25 SCREW
	26 SCREW
	27 SCREW
	28 SCREW
	29 SCREW
	30 SCREW
	31 SCREW
	32 PACKING
	33 PACKING
	34 NUT
	35 NUT
	36 NUT
	37 NUT
	38 NUT
	39 ORIFICE PLATE
	40 PACKING
	41 PLUG
	42 PACKING
	43 SCREW
802B	RBV VALVE



SHEET NO. 801Q
SCR OUTLET ARR.

REG NO.	PART NAME
A	SCR PIPE
	2 WASHER
	3 NUT
	4 WASHER
	5 SCREW
	6 STUD
	7 PLUG
	8 WASHER
	9 WASHER
802D	RTV VALVE

SHEET NO. 801R
SCR BY-PASS PIPE ARR.

REG NO.	PART NAME
A	SCR PIPE
B	SUPPORT
	3 COMPENSATOR
	4 WASHER
	5 WASHER
	7 SCREW
	8 SCREW
	9 SCREW
	10 DISTANCE PIPE
	12 NUT
	15 CLAMP
802E	CBV VALVE