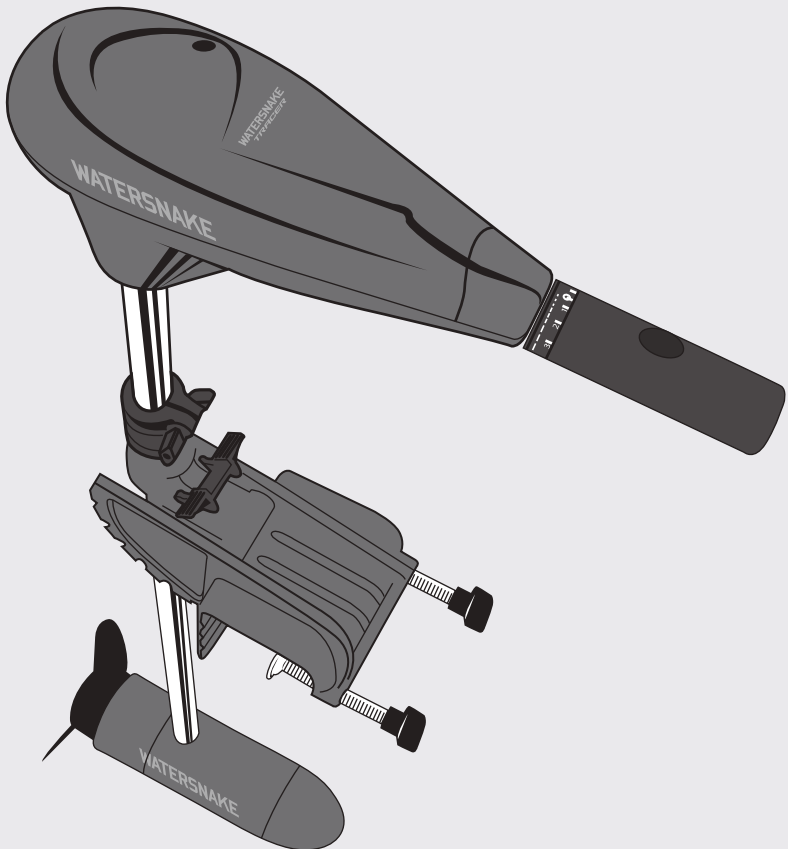




WATERSNAKE[®]
ELECTRIC MOTORS

TRACER FWT
TRANSOM MOUNT ELECTRIC MOTOR
OWNERS MANUAL



<https://www.boat-manuals.com/>



WATERSNAKE®
ELECTRIC MOTORS

WATERSNAKE ELECTRIC MOTORS

Congratulations and welcome to a world of silent motoring. Powerful yet silent, the Watersnake electric motors are built to suit all angling conditions. High quality materials, superior design and precision engineering make these motors longwearing and reliable.

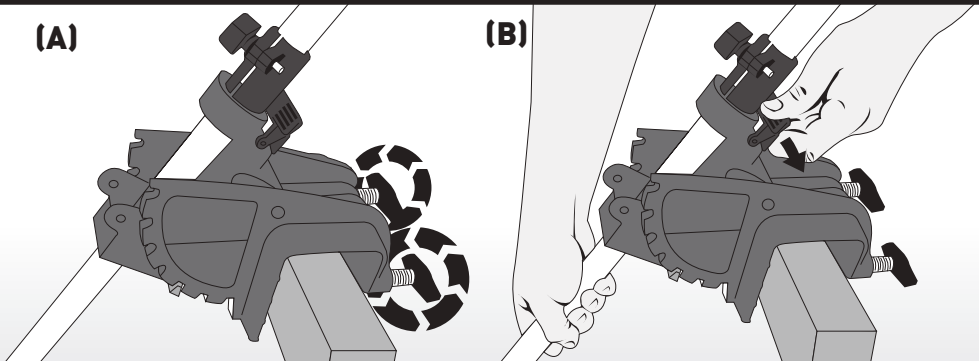
Please read manual completely before starting installation.

ATTACHING THE MOTOR TO YOUR BOAT

Attach the motor to the stern of the boat and tighten both mounting bolts securely while taking care not to over-tighten. (A)

To adjust the angle of the motor after attachment, hold the motor head with one hand and depress the positioning pin at the top of the mounting bracket with your other hand. Press and hold the positioning pin until the desired angle has been reached, next release the pin and ensure the mechanism locks securely. (B)

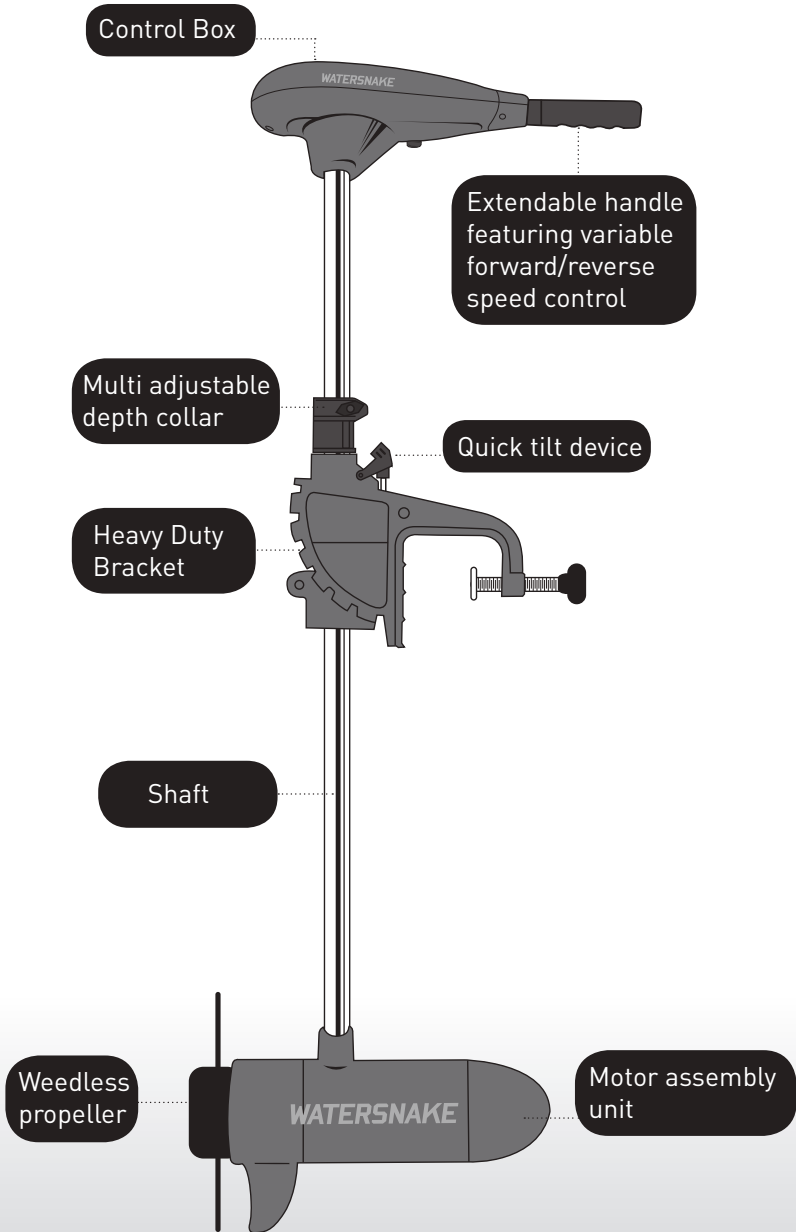
TIGHTEN BOTH BOLTS SECURELY



**DEPRESS THE POSITIONING PIN
TO ADJUST TILT OF THE BRACKET**

Please note the Tracer FWTC30TH-30, FWT 28TH and FWT 30 TH motors come with a Nylon transom bracket.

TRACER



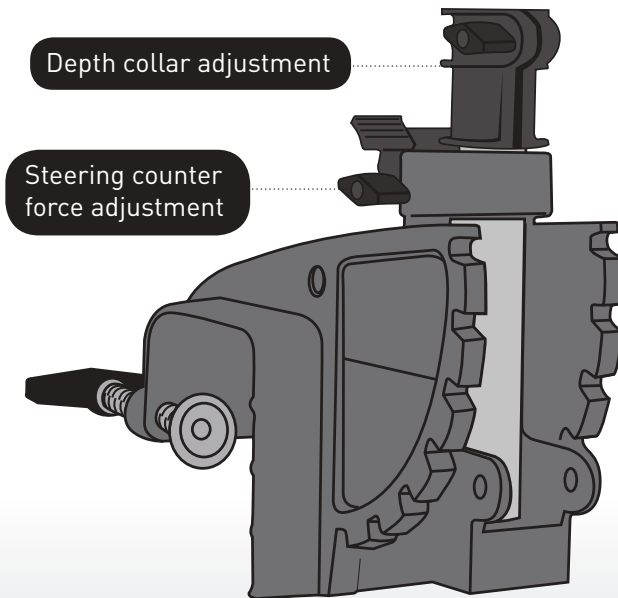


DEPTH ADJUSTMENT

Hold the motor shaft with one hand, loosen the depth collar adjustment screw and set the motor to the desired depth, then retighten the adjusting screw on the depth collar securely.

STEERING

To adjust steering counter-force, simply loosen or tighten the counterforce bolt. The ideal setting is one where the counterforce bolt is just tight enough so that the boat will steer in the direction you are aiming without need for continual correction.



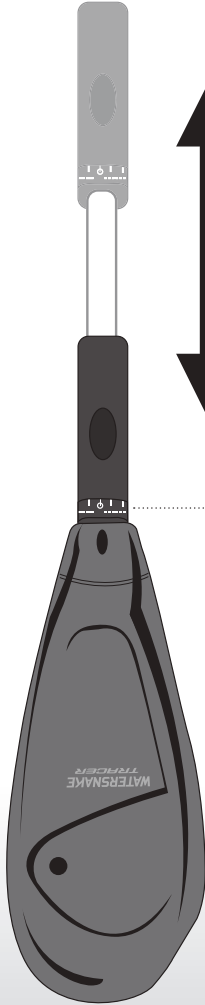
Please note the Tracer FWTCS30TH-30, FWT 28TH and FWT 30 TH motors come with a Nylon transom bracket.

TRACER

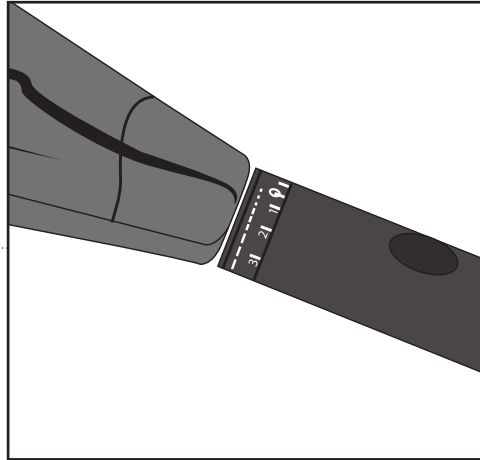
HEAD UNIT & SPEED CONTROL

The tiller control is telescopic and can be extended. Simply pull the grip out away from the head unit to set your desired length. Rotate the handle clockwise for forward speed and anti-clockwise for reverse. There are five forward and two reverse speeds.

EXTENDABLE HANDLE



SPEED CONTROL

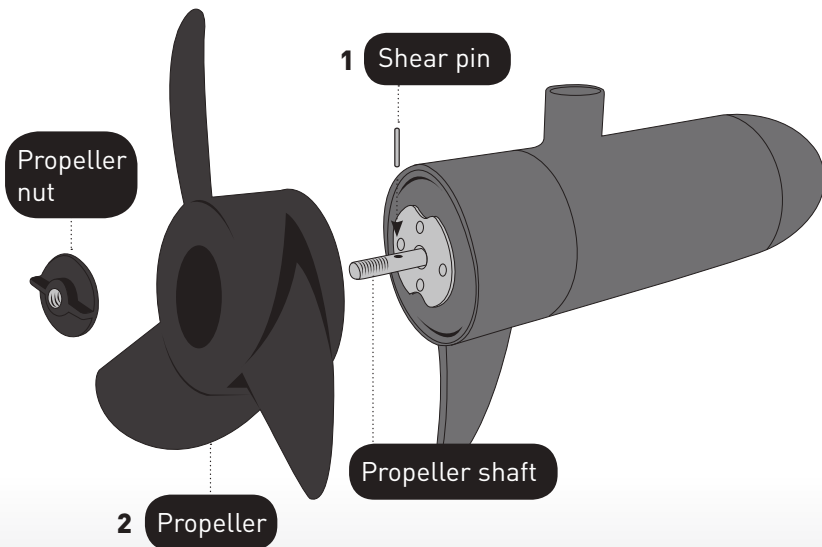




ATTACHING THE PROPELLER

Before doing anything with the propeller, ensure the cables to the battery are disconnected.

- 1: Place shear pin in shaft as shown.
- 2: Align the propeller against the shear pin on the shaft (there is a groove on the back of the propeller which the shear pin needs to slot into) and then tighten the propeller nut securely.



Please note the Tracer FWTC30TH-30, FWT 28TH, FWT 30 TH and FWT 34TH motors comes with a 2 bladed propeller.

ELECTRICAL CONNECTIONS

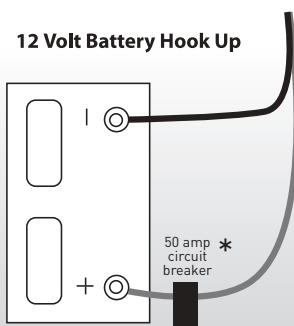
Before connecting the motor's cables to the battery terminals, ensure all switches are in the OFF position and stand clear of the propeller.

Connect the red cable to the positive (+) terminal and the black cable to the negative (-) terminal, making sure the terminals are clean before doing so. A clean connection will minimise power wastage and give you maximum power from the battery.

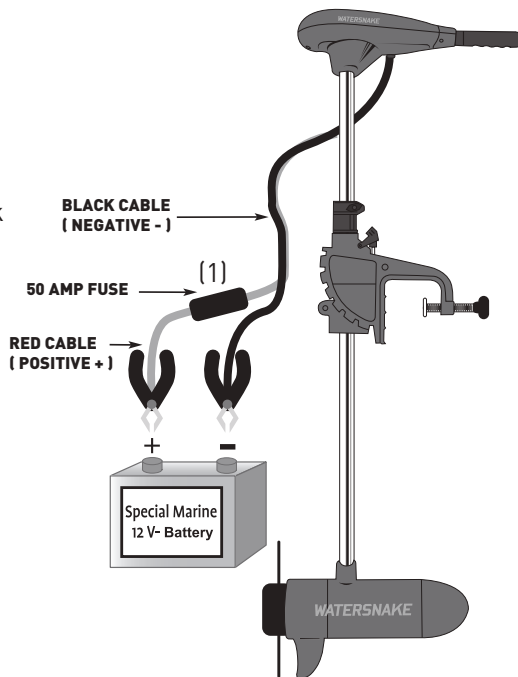
Please Note: for best performance please keep battery terminals and connections clean.

It is recommended to use an inline fuse to protect the circuit of the motor, this is a connection that joins the motor battery cable to the battery and shuts the motor off if the connection overheats. As shown on diagram (1)

We recommend using a deep cycle marine battery for optimum performance.



*In line fuse kits available separately
See page 17 for more details.



DEEP CYCLE BATTERIES

Deep Cycle batteries are constructed using thicker battery plates and a denser active material to withstand repeated charge and recharge cycles. Rather than providing high bursts of power for short periods of time they are specially designed to deliver sustained power with low current draw over extended periods of time.



MODEL SPECIFICATIONS

CODE	MOTOR DESCRIPTION	THRUST	VOLT/AMPS	WATTS	RPM	SHAFT	COLOUR	BRACKET	STEERING	SPEEDS	PROP
55096	Tracer FWT28 TH	28lb	12v / 6 - 28	72-360	1200	30"	Black	Nylon Transom	Extendable Hand Tiller	5 / 2	2-Blade
55097	Tracer FWT30 TH	30lb	12v / 6.5 - 30	78-360	1200	30"	Black	Nylon Transom	Extendable Hand Tiller	5 / 2	2-Blade
55098	Tracer FWT34 TH	34lb	12v / 7.5 - 34	90-410	1300	36"	Black	Nylon Transom	Extendable Hand Tiller	5 / 2	2-Blade
55102	Tracer FWT44 TH	34lb	12v / 11 - 44	132-528	1300	36"	Black	Alloy Transom	Extendable Hand Tiller	5 / 2	3-Blade
55103	Tracer FWT54 TH	54lb	12v / 13 - 54	156-640	1370	42"	Black	Alloy Transom	Extendable Hand Tiller	5 / 2	3-Blade
55178	TRACER FWTC54	54lb	12v / 13 - 54	156-640	1370	42"	Black	Alloy Transom	Extendable Hand Tiller	5 / 2	3-Blade

USA MODEL SPECIFICATIONS

CODE	MOTOR DESCRIPTION	THRUST	VOLT/AMPS	WATTS	RPM	SHAFT	COLOUR	BRACKET	STEERING	SPEEDS	PROP
55175U	TRACER FWTC330TH-30	30lb	12v / 6.5 - 30	78-360	1200	30"	Black	Nylon Transom	Extendable Hand Tiller	5 / 2	2-Blade
55177U	TRACER FWTC344TH-36	44lb	12v / 11 - 44	132-528	1300	36"	Black	Alloy Transom	Extendable Hand Tiller	5 / 2	3-Blade
55178U	TRACER FWTC354TH-42	54lb	12v / 13 - 54	156-640	1370	42"	Black	Alloy Transom	Extendable Hand Tiller	5 / 2	3-Blade

Model range and specifications are correct at time of printing.

For new models not listed here find specifications at: www.jarvismarine.com.au



MOTOR SELECTION GUIDE

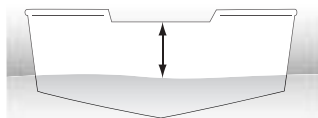
WATERSNAKE SHAFT LENGTH GUIDE

With your boat in the water, measure the distance from the mounting surface of the transom or bow to the water level.

The guide shown on the right will assist you in finding the shaft length that best suits your boat.

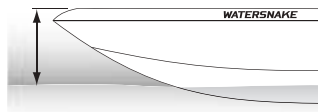
Transom Mount to Water Level	Suggested Shaft Length
Up to 8"	24"
Up to 10"	26"
Up to 12"	30"
10" to 14"	36"
14" to 20"	42"
20" to 22"	48"
22" to 24"	54"

Transom Mount Measurement



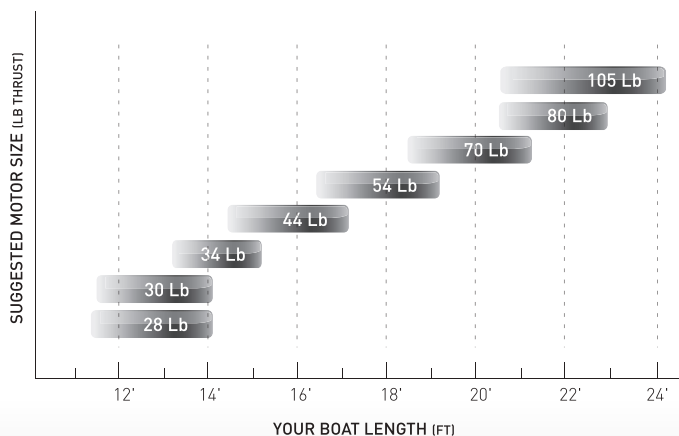
Bow Mount to Water Level	Suggested Shaft Length
14" to 20"	42"
20" to 26"	48"
26" to 32"	54"
32" to 36"	60"

Bow Mount Measurement



WATERSNAKE MOTOR SIZE GUIDE

The graph shown right is a general guide only. Always speak with your dealer regarding the size of motor that is most appropriate for your boat.





WIRE EXTENSION LENGTH	SUGGESTED WIRE GAUGE
1m	6 AWG / 6GA
3m	4 AWG / 4GA
5m	2 AWG / 2GA

Note that above table is intended as a guide only. Your local electrical supplier will be able to advise in greater detail based on your particular set up and requirements.

DEEP CYCLE BATTERIES

A deep cycle marine battery is required for normal operation and continued use of your Watersnake motor. Deep cycle marine batteries are constructed using thicker plates and a denser active material. They are built to withstand repeated charge and recharge cycles. Deep cycle marine batteries are specifically designed to deliver sustained power with low current draw over extended periods of time. Car / Truck / Motorcycle batteries are not designed in the same way and are more useful for providing high bursts of power for short periods. Use of car / truck / motorcycle batteries can cause damage to electronic components within your Watersnake motor.

DEPTH ADJUSTMENT

Hold the motor shaft with one hand, loosen the depth collar adjustment screw and set the motor to the desired depth. Then retighten the adjusting screw on the depth collar securely.

STOWING

When your Watersnake motor is not in use always stow and store it properly.

TROUBLESHOOTING QUICK REFERENCE GUIDE

1. REDUCED OR NO POWER

Possible cause(s)/Solution(s):

- Weed or fishing line may be caught behind propeller. Remove propeller and remove the debris.
- Check battery connections and ensure terminals are clean.

- Check battery voltage to ensure sufficient voltage. Recharge battery and check for bad cell.
- Incorrect wire gauge used from battery to trolling motor or connection plug.
- Possible faulty connection in boat wiring or trolling motor wiring.
- Speed control armature magnet cracked or dislodged. Grinding noise will come from motor. (CONTACT REPAIR AGENT)
- Water intrusion in motor housing which will show water or oily residue inside head cover. (CONTACT REPAIR AGENT)
- Check the propeller pin is in place. (SEE PAGE 6 OF THIS MANUAL)

2. NOISE OR VIBRATION COMING FROM MOTOR

Possible cause(s)/Solution(s):

- Weed or debris may be caught in propeller.
- Check to see if propeller is securely tightened and shear pin is in place.
- Remove prop and look for a wobble on prop shaft to see if bent.
- Speed control brushes may be worn and may need to be cleaned and or replaced. (CONTACT REPAIR AGENT)

MAINTENANCE

Your Watersnake Electric Motor should provide many seasons of dependable service. However, like any tool, electric motors must be cared for.

After each day of fishing, the motor should be cleaned thoroughly. If you have been fishing in saltwater, it is suggested that you wash the motor with warm fresh soapy water until all salt deposits are washed away. Be careful not to use a gush of water to clean the motor, as this will drive salt particles into the motor's internal mechanisms. Instead use a light stream of water or very fine spray merely to dissolve saltwater particles that have accumulated on the external parts of the motor.

Dry excess moisture from the motor and sparingly lubricate all areas. Many fisherman use a pressurised spray oil for quick and easy lubrication after washing their motor. If you choose to do this, make sure you wash the motor first. Frequently lubricate all frictional points, a reliable heat resistant grease if you are re-greasing internal parts.

Use only greases designed for electric motors. other greases may contain lead particles that may cause damage to electric motor gears. Your motor should always be stored in a cool dry place. Do not store in a plastic bag as this may cause condensation. However, we do recommend you cover your motor if you



WATERSNAKE®
ELECTRIC MOTORS

must leave it outside. Periodically inspect your motor and tighten any loose screws or fittings. Depending on use, your motor should be serviced by an authorised service agent at least once every season.

Trolling motors are designed in quite the same way as a 2-4 stroke outboard motor but they are quiet and very effective for fishing. Many people use trolling motors to enhance their fishing experience, however, and unfortunately many don't maintain or store them correctly, lack of maintenance could lead to power and or turning issues.

RECOMMENDATIONS WHEN USING YOUR WATERSNAKE MOTOR IN THE WATER

Upon connecting your battery to your motor, and before setting off in your boat, make sure that your trolling motor is mounted correctly and stowed securely in the mounting bracket. Of course once you engage your Watersnake motor for use make sure that it is in the right place, not too low or too high. Once you are in deep water, you should make sure that you gradually increase the speed of your trolling motor, do not flatten it up to full speed right away. For example, if you have a 5 speed trolling motor, don't click through all of the other speeds really fast to get to 5, slowly go up to 1 speed, 2 speed, and so on. It is recommended not to run your trolling motor out of water for long periods of time.

RECOMMENDATIONS WHEN YOUR WATERSNAKE MOTOR IS OUT OF THE WATER

When you have finished with your trolling motor each session you might want to disconnect the battery from your trolling motor and take out the battery out and recharge it. Store the battery in a safe place. If you have a small boat without a cover it is recommended to take the motor off the boat also and storing that in a safe place too. It is recommended that you do not store the motor outside uncovered. This may take you an extra few minutes of you time but it is good for the motor.

SHORT-TERM STORAGE OF YOUR WATERSNAKE MOTOR

If you are going to be gone for a short break or there is rain forecast and the motor is to remain on the boat, we recommend covering the motor to protect the electronics. Even better, make sure that you have a safe non-damp area that your trolling motor can stay in room temperature.

LONG-TERM STORAGE OF YOUR WATERSNAKE MOTOR

If you are not going to use your motor in the off-season, put your motor in a safe place where no water or extreme cold or hot temperatures can get in. We suggest making a place under-cover away from moisture, this should protect the electronics such as the circuit board and speed control unit.

SERVICING YOUR WATERSNAKE ELECTRIC MOTOR

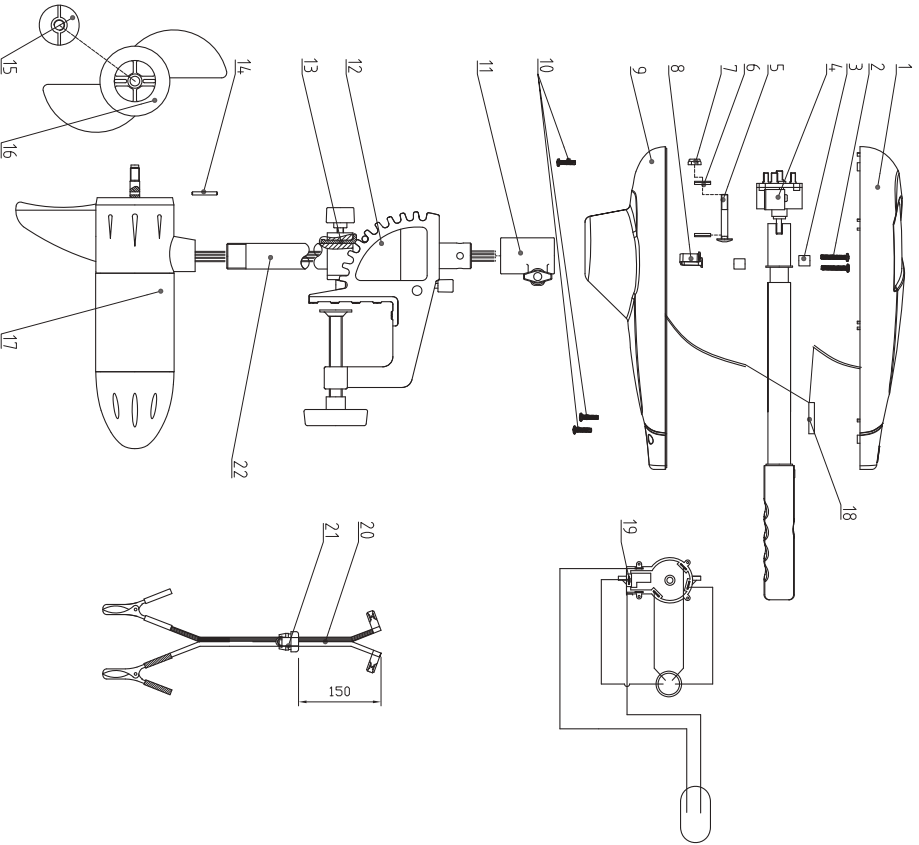
When it's time for your Watersnake electric motor to be serviced, it is recommended you choose to use an Authorised Service Agent such as Anglers' Central Service Centre to perform the service.

Watersnake electric motors are precision instruments that rely on exacting alignment of numerous components; it is worth considering taking your electric motor to an Authorised Service Agent for servicing.

IMPORTANT!

If you choose to service the electric motor yourself or through any other third party not authorised by Jarvis Marine to service Watersnake motors, the motor will no longer be covered under the normal consumer guarantees. Items or issues from that time on and thereafter will be the sole responsibility of the owner. It is important to make sure you use good quality grease, and remember do not over lubricate. Small amounts of grease in the correct places are more important.

TRACER FWT MOTOR



1	HP8. 626. 004. 91	Shaft (FWT34)	1
2	HP8. 626. 023. 24	Shaft (FWT34/44)	1
3	HP8. 626. 003. 24	Shaft (FWT28/30)	1
4	HP8. 647. 016. 00	Cable Clip	1
5	HP6. 647. 001. 00	Main Battery Cable (FWT44)	1
6	HP8. 647. 000. 00	Main Battery Cable (FWT28/30/34)	1
7	HP8. 626. 002. 82	Insulating Sleeve	1
8	HP8. 653. 009. 00	Connector	2
9	HP6. 062. 010. 00	Motor Assy (FWT54)	1
10	HP6. 062. 076. 00	Motor Assy (FWT44)	1
11	HP6. 062. 078. 00	Motor Assy (FWT34)	1
12	HP6. 062. 077. 00	Motor Assy (FWT28/30)	1
13	HP6. 393. 001. 00	Prop (FWT44/54)	1
14	HP6. 393. 000. 00	Prop (FWT28/30/34)	1
15	HP6. 482. 001. 00	Prop Nut	1
16	HP8. 264. 157. 00	Pin	1
17	HP8. 602. 007. 10	Tension Block	1
18	HP6. 152. 001. 00	Mount Assy (FWT44/54)	1
19	HP6. 152. 000. 00	Mount Assy (FWT28/30/34)	1
20	HP6. 257. 004. 00	Depth Collar Assy	1
21	HP8. 903. 056. 00	Screw	3
22	HP8. 076. 062. 00	Bottom Cover	1
23	HP8. 263. 052. 00	Pressing Wire Plate	1
24	HP6. 482. 000. 00	Locking Nut	1
25	HP8. 945. 037. 00	Wave Washer	2
26	HP8. 904. 020. 00	Bolt	1
27	HP6. 465. 057. 00	Handle Assy	1
28	HP8. 667. 017. 00	Fixing Clamp	2
29	HP8. 903. 058. 06	Screw	2
30	HP6. 171. 059. 01	Top Cover Assy	1
31	Drawing No.	Part Name	Qty

FTW Series

WATERSNAKE MOTOR ACCESSORIES SOLD SEPERATLY (SEE YOU NEAREST DEALER FOR MORE INFORMATION)

Watersnake Propeller Kits (Sold Separately)

Watersnake Propeller kits contain a propeller, nut and shear pins. It is recommended you keep a spare propeller on your boat at all times. The Mini 2- Bladed Kit is suitable for the T-18 and T-24 motors. The 2-Bladed Propeller Kit is suitable for 28lb, 30lb and 34lb motors. The 3-Bladed Medium Propeller Kit is suitable for all 44lb and 54lb motors. The 3-Bladed Large Propeller Kit is suitable for all 70lb, 80lb and 105lb motors.



55008
Large 3 Blade
Prop (70lb-105lb)

55130
3 Blade Prop
(44lb-54lb)

55131
2 Blade Prop
(28-34lb)

JM56001
2 Blade Mini Prop
(18lb-24lb)



Watersnake Telescopic Extendable Motor Handle

The Watersnake Telescopic Handle can extend to 24" and will fit most tiller handles.

52654



Watersnake Propeller Accessory Kit

This kit is very handy and we suggest you keep one at all times. Consists of a propeller nut wrench, propeller nut and shear pins.

55132

Watersnake Trolling Motor Connectors

Watersnake Motor Connector Plugs makes it very quick and simple to remove and replace your motor from the boat as well as providing a better connection to your power source. Available in a 12v plug.



51441
12V Male
2 wire



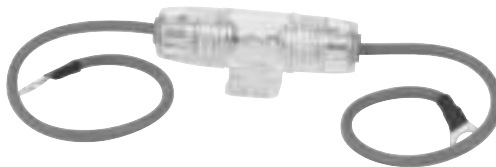
51442
12V Female
2 wire



Watersnake 50 Amp Fuse Kit

We strongly recommend the use of an in-line fuse kit to protect your motor from shorts and electrical problems that can lead to over heating of circuit boards in your trolling motor. Having other devices hooked up to your motor battery can cause power surges. Watersnake Fuse Kits come supplied with a 50 amp fuse and are completely waterproof. These simple to install kits are an essential accessory for your motor.

56002



Watersnake Replacement Fuse

Replacement 50 Amp fuse to suit a Watersnake Fuse Kit. It's a good idea to always keep a spare!

JM52679





WATERSNAKE®
ELECTRIC MOTORS

NOTES: _____

Lined writing area consisting of 25 horizontal lines.

WATERSNAKE®

CONTACT INFORMATION

REGION/COUNTRY	DISTRIBUTOR	PHONE
Asia Pacific		
Australia	Jarvis Walker	+61 3 8787 6900
(West Australia)	Benbow Outdoors	+61 8 9302 5552
China	Jarvis Walker International	+86 21 6356 5078
South Korea	Plady Co., Ltd	+82 10 9894 9938
New Zealand	Brittain Wynyard	+64-9 309 0519
USA		
USA	Innovative Procurement, LLC	+1 573 346 7447
Africa		
South Africa	Apex Walker	+27 11 7920 611
Russia		
Russia	Badger Ltd.	+7 812 321 8880
Europe		
Austria	Aquazona	+420 386 357 881
Bosnia	Aquazona	+420 386 357 881
Bulgaria	Aquazona	+420 386 357 881
Czech Republic	Aquazona	+420 386 357 881
Denmark	Wiggler AB	+0303 798 744
Finland	Wiggler AB	+0303 798 744
Germany	World Fishing Tackle	+49 0 900 123 58 13
Ireland	Masterline Walker	+44 0 1684 299 000
Italy	Europesca Sport	+39 06 6500 2449
Luxembourg	World Fishing Tackle	+49 0 900 123 58 13
Montenegro	Aquazona	+420 386 357 881
Netherlands	World Fishing Tackle	+49 0 900 123 58 13
Norway	Wiggler AB	+0303 798 744
Romania	Aquazona	+420 386 357 881
Serbia	Aquazona	+420 386 357 881
Slovakia	Aquazona	+420 386 357 881
Slovenia	Aquazona	+420 386 357 881
Sweden	Wiggler AB	+0303 798 744
United Kingdom	Masterline Walker	+44 0 1684 299 000

www.watersnake.com.au

Watersnake Distribution Pty. Ltd.
297-305 South Gippsland Highway
Dandenong South, Victoria 3175 Australia
ACN: 143 230 175

Watersnake® and Jarvis Marine® are registered trademarks of Watersnake Distribution Pty. Ltd.

© Watersnake Distribution Pty. Ltd. All Rights Reserved.
Specifications are subject to change without notice.