

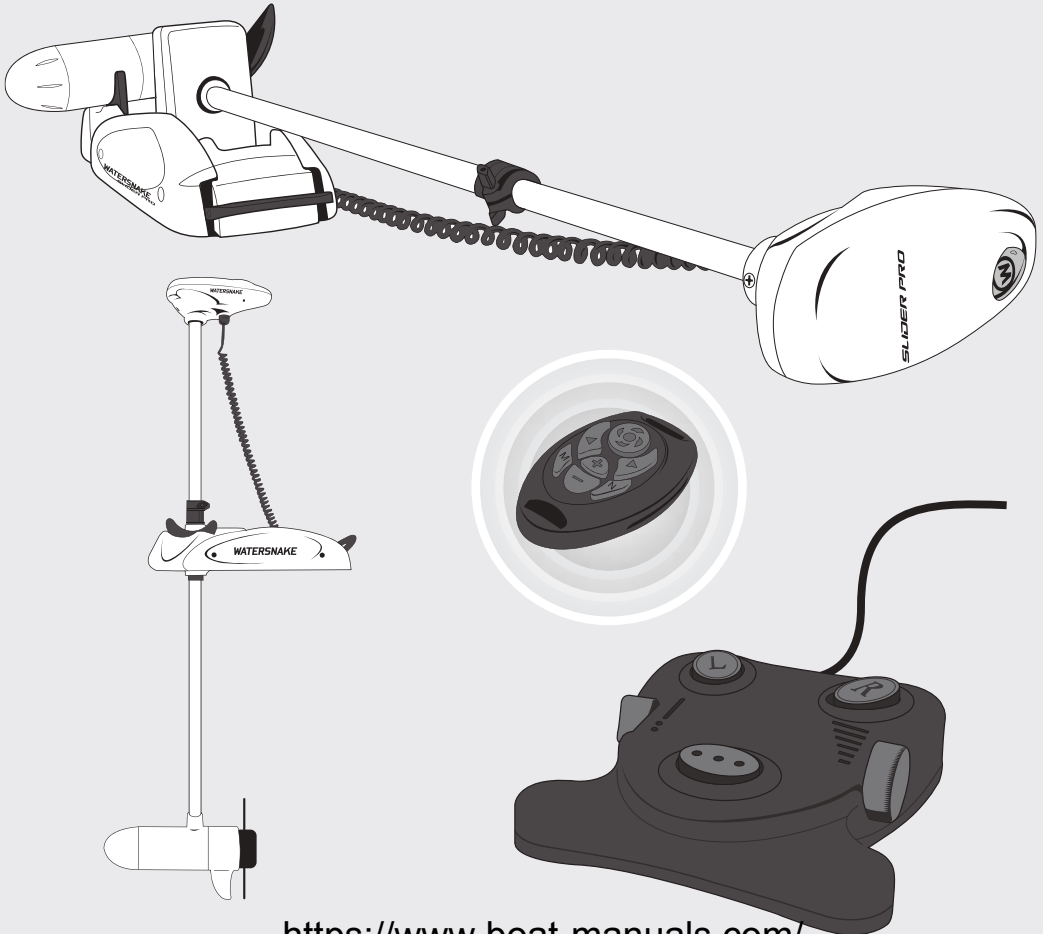


# WATERSNAKE<sup>®</sup>

ELECTRIC MOTORS

## SLIDER PRO

### BOW MOUNT ELECTRIC MOTOR OWNERS MANUAL



<https://www.boat-manuals.com/>



## SPECIFICATION SUMMARY

<b>MODEL</b>	SWRC 54/54 (SLIDER PRO)
<b>VOLTAGE (V)</b>	12
<b>MAX.THURST (LB)</b>	54
<b>SHAFT LENGTH (IN)</b>	54
<b>MIN AMP DRAW (A/H)</b>	13
<b>MAX AMP DRAW (A/H)</b>	54
<b>PROP</b>	3 BLADE
<b>FOOT CONTROL</b>	1
<b>REMOTE HAND CONTROL</b>	2
<b>MOUNTING</b>	INTEGRATED QUICK RELEASE *
<b>CIRCUIT BREAKER</b>	1
<b>REQUIRED BATTERY</b>	12v DEEP CYCLE MARINE
<b>MIN. RECOMMENDED BATTERY SIZE</b>	80 - 100 AMP HOUR **

<b>MODEL</b>	SWRC 65/54 (SLIDER PRO)
<b>VOLTAGE (V)</b>	12
<b>MAX.THURST (LB)</b>	65
<b>SHAFT LENGTH (IN)</b>	54
<b>MIN AMP DRAW (A/H)</b>	13
<b>MAX AMP DRAW (A/H)</b>	50
<b>PROP</b>	3 BLADE
<b>FOOT CONTROL</b>	1
<b>REMOTE HAND CONTROL</b>	2
<b>MOUNTING</b>	INTEGRATED QUICK RELEASE *
<b>CIRCUIT BREAKER</b>	1
<b>REQUIRED BATTERY</b>	12v DEEP CYCLE MARINE
<b>MIN. RECOMMENDED BATTERY SIZE</b>	80 - 120 AMP HOUR **

\* **NOTE** - this model is not compatible with the nylon quick release bracket sold separately

\*\* **NOTE** - this is to be used as a guide only. Check with your battery supplier to confirm required size of 12 volt deep cycle marine battery that will be appropriate for your situation.

# **SLIDER PRO**

## **PRE INSTALLATION CHECKLIST**

- Familiarise yourself with the user manual and the various parts of your Watersnake motor
- Select desired mounting location on boat
- 12 v deep cycle marine battery (your Watersnake motor is not designed for use with car / truck / motorcycle type batteries) – for more information about appropriate batteries for your Watersnake motor, refer to page 9
- Check battery cable length in relation to location of your 12v deep cycle battery. If extension to battery cable is required, refer to table on page 9  
NOTE – if extending battery cable ensure that the circuit breaker remains in place on the positive wire

## **PRE-USE CHECKLIST – CHECK BEFORE EACH USE**

- Ensure that your Watersnake motor is securely attached to your boat (refer to page 5 of manual)
- Fully charged 12v deep cycle marine battery (your Watersnake motor is not designed to be used with a car / truck / motorcycle type battery)
- Check battery cable for any signs of damage or exposed wiring
- Check terminals for any signs of corrosion or debris
- Check fuse assembly / circuit breaker – clean if any signs of corrosion or debris. Replace fuse if necessary.



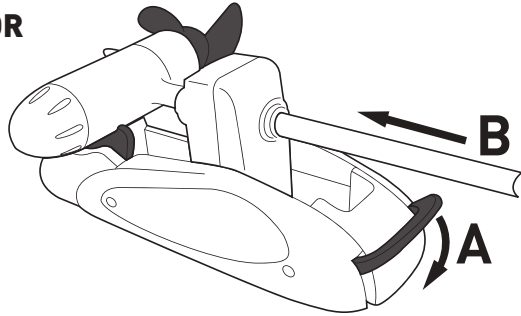
**WATERSNAKE®**  
ELECTRIC MOTORS

**IMPORTANT** PLEASE READ BEFORE USE.

## HOW TO STOW AND DEPLOY YOUR WATERSNAKE BOW MOUNT ELECTRIC MOTOR.

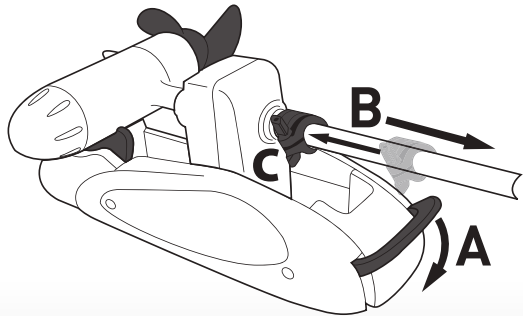
### DEPLOYING YOUR MOTOR

To deploy the motor press down on the pedal (A) and simultaneously slide the shaft (B) through the gear box and lower carefully into the water.



### STOWING YOUR MOTOR

To stow the motor press down on the pedal (A) and simultaneously slide the shaft (B) through the gear box until the lower motor unit sits back in the locking clamps. There should be a click sound locking the unit in position. In addition, then slide the Depth Collar (C) down the shaft to the Gear Box and then tighten the bolt on the Depth Collar so it is secure.



**Ensure your motor is Properly stowed and secured before Driving and or moving your boat to avoid damage.**

### PLEASE NOTE:

Watersnake Distribution Pty Ltd accepts no liability for injury or damage caused by the incorrect deployment or stowing of this motor.

# SLIDER PRO

## WATERSNAKE ELECTRIC MOTORS

Congratulations and welcome to a world of silent motoring.

Powerful yet silent, the Watersnake electric motors are built to suit all angling conditions. High quality materials, superior design and precision engineering make these motors hard wearing and reliable.

**Please read manual completely before starting installation.**

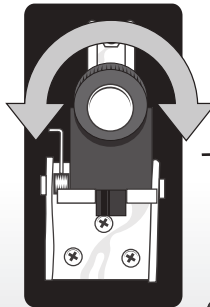
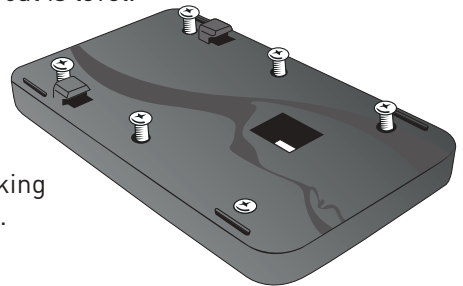
## ATTACHING THE MOTOR TO YOUR BOAT

The slider mount integrates a quick release bracket mechanism.

Attach the bracket to the bow of the boat, taking care to ensure it is on the centreline of the boat and placed forward enough so that when the motor is attached the shaft of the motor is not making contact with the boats gunwale rubber. With the bracket in position, mark the holes for drilling, ensuring as you do that the bow area below the mounting location is clear and accessible.

Mount the plate to the bow using stainless steel bolts, nuts and washers. It is important when doing this work that the boat is level.

Place the upper mount of the motor in position on the bracket, tighten the lock screw and you are ready for the water. To release the motor simply unscrew the locking plate lock screw located within the mount.



### PLEASE NOTE:

Watersnake Distribution Pty Ltd accepts no liability for personal injury or property damage caused while drilling/mounting this motor. Please wear appropriate protective clothing and eyewear/ face shield.)



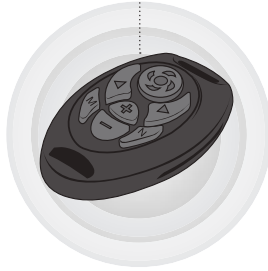


**WATERSNAKE®**  
ELECTRIC MOTORS

Head unit



Remote control unit.



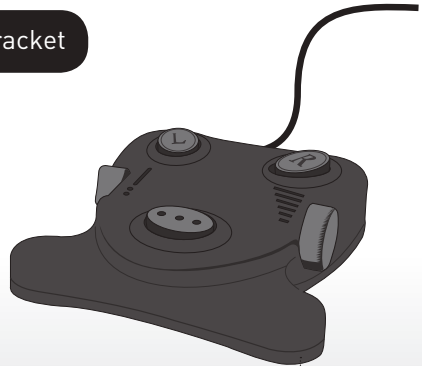
Depth collar  
height adjustment



Quick lock and  
release lever

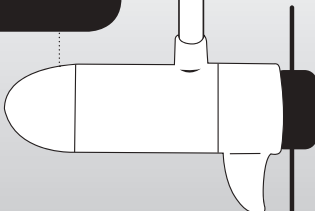
Mounting bracket

Composite  
shaft



Motor Assembly  
unit

Foot control unit  
with 5 meter cable



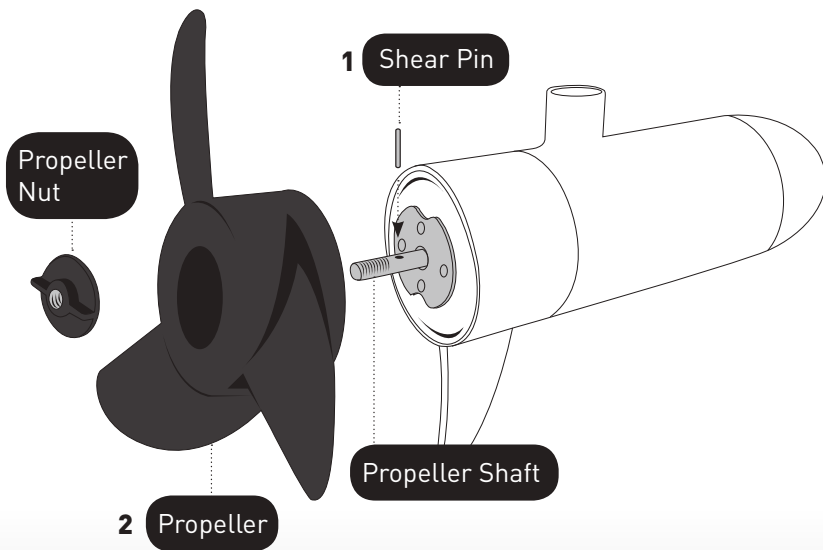
Weedless  
propeller

# SLIDER PRO

## ATTACHING THE PROPELLER

**Before doing anything with the propeller, ensure the cables to the battery are disconnected.**

- 1: Place shear pin in shaft as shown.
- 2: Align the propeller against the shear pin on the shaft (there is a groove on the back of the propeller which the shear pin needs to slot into) and then tighten the propeller nut securely.





**WATERSNAKE®**  
ELECTRIC MOTORS

## ELECTRICAL CONNECTIONS

Before connecting the motor's cables to the battery terminals, ensure all switches are in the OFF position and stand clear of the propeller.

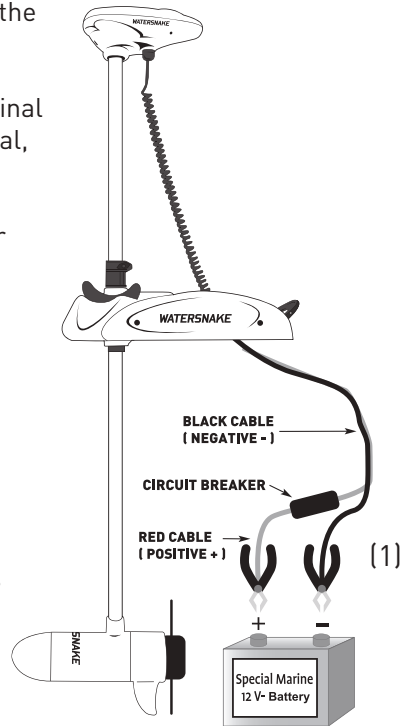
Connect the red cable to the positive (+) terminal and the black cable to the negative (-) terminal, making sure the terminals are clean before doing so. A clean connection will minimise power wastage and give you maximum power from the battery.

**Please Note: for best performance please keep battery terminals and connections clean.**

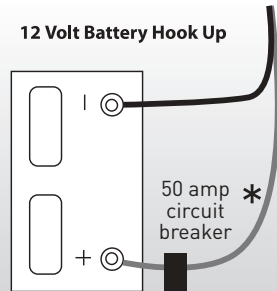
There are a number of different methods of connecting battery leads to your 12 v deep cycle battery. Your Watersnake motor is supplied as standard with ring type terminal connectors although this can be changed to suit your particular set up. If fitting different terminal connectors ensure that connections are soldered and sealed appropriately. It is recommended to use heat shrink to seal any exposed joins in wiring or connectors. Any non-standard terminal connections must be capable of handling a minimum of 50 amps. Anderson plugs are a popular choice amongst many Watersnake motor owners and are readily available.

A Watersnake circuit breaker is supplied and attached to the red power cable to protect the circuit boards of the motor. This is a connection that joins the motor battery cable to the battery and shuts the motor off if the connection overheats. As shown on diagram (1)

We recommend using a deep cycle marine battery for optimum performance.



12 Volt Battery Hook Up





# SLIDER PRO

WIRE EXTENSION LENGTH	SUGGESTED WIRE GAUGE
1m	6 AWG / 6GA
3m	4 AWG / 4GA
5m	2 AWG / 2GA

Note that above table is intended as a guide only. Your local electrical supplier will be able to advise in greater detail based on your particular set up and requirements.

## DEEP CYCLE BATTERIES

A 12 v deep cycle marine battery is required for normal operation and continued use of your Watersnake motor. 12 v deep cycle marine batteries are constructed using thicker plates and a denser active material. They are built to withstand repeated charge and recharge cycles. Deep cycle marine batteries are specifically designed to deliver sustained power with low current draw over extended periods of time. Car / Truck / Motorcycle batteries are not designed in the same way and are more useful for providing high bursts of power for short periods. Use of car / truck / motorcycle batteries can cause damage to electronic components within your Watersnake motor.

## DEPLOYMENT

Pressing on the quick locking and release lever (refer to diagram on page 4) at the same time as pushing the shaft forward will allow the motor to release from the cradle. NOTE – Your Watersnake motor is not designed to release from the cradle by pressing on the lever alone. Applying excessive pressure to the release lever can lead to deployment difficulties.

## DEPTH ADJUSTMENT

Hold the motor shaft with one hand, loosen the depth collar adjustment screw and set the motor to the desired depth. Then retighten the adjusting screw on the depth collar securely.

## STOWING

When your Watersnake motor is not in use always stow and store it properly. Press the quick locking and release lever and raise the motor, pulling towards the stern of your boat until it is secure on the locking cradles and locked into the horizontal (stowed) position. A final pull on the shaft of the motor may be necessary to ensure it has locked into place on the cradle. (refer to diagram on page 4)

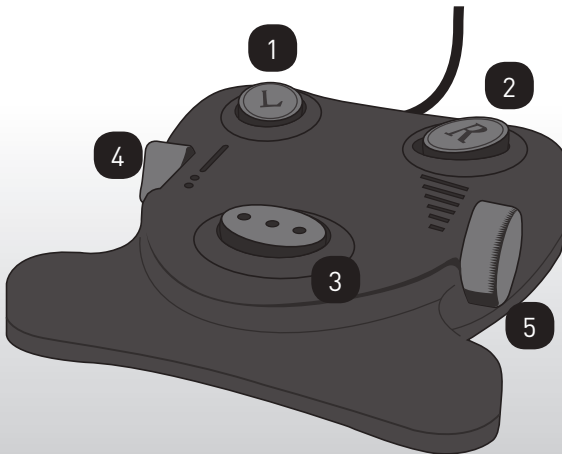


## FOOT PEDAL CONTROL SYSTEM

The low profile foot pedal control is used to adjust direction and speed. A variable speed dial control is located at the right side of the foot control unit. Directional buttons control steering.

Functions:

1. Left directional button  
To steer left, press the button marked "L" at the top left hand corner of the foot control. Release the button when the desired degree of turn has been achieved
2. Right directional button  
To steer right, press the button marked "R" at the top right hand corner of the foot control. Release the button when the desired degree of turn has been achieved
3. Momentary button (propulsion whilst button is held down, propulsion stops when button released)  
To activate the momentary function, the constant on / off switch (4) must be moved to the back position. NOTE – momentary function is not operational when the constant on / off switch (4) is in the forward position
4. Constant On / Off switch (constant propulsion on / off)  
When set in the forward position (on) the propeller will run constantly. The speed of propulsion can then be controlled by the variable speed control dial (5)
5. Variable speed control dial  
Controls the speed of the propeller. The propeller can be slowed to a complete stop by turning the dial back fully



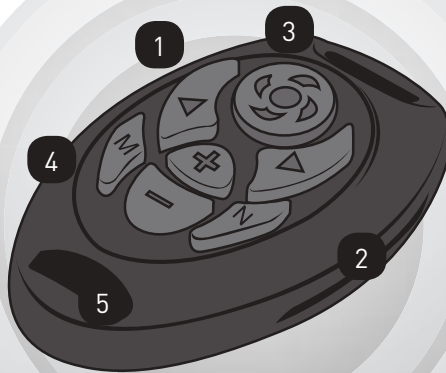
# SLIDER PRO

## REMOTE CONTROL HAND UNIT

The remote control hand unit offers the ability to control the operation of your Watersnake motor without the need to use the foot control or it can be used in conjunction with the foot control. NOTE – the remote control hand unit must be synced with your motor (refer below). The remote control hand unit requires “line of sight” communication with the remote receiver in the head of your Watersnake motor. Normal operation may be impaired if the remote control hand unit is operated from behind a bulkhead or other structure such as a centre console that impedes line of sight communication.

The remote control hand unit is battery powered. The battery in the unit may need to be replaced after 12 months or sooner if used regularly. The battery used is a commonly available CR2032 and can be changed by removing the 4 phillips head screws from the back of the unit. NOTE – Your remote control hand unit must be re-synced with your Watersnake motor after changing the battery.

1. Left directional button
2. Right directional button
3. On / Off
4. High speed bypass
5. Increase / decrease speed



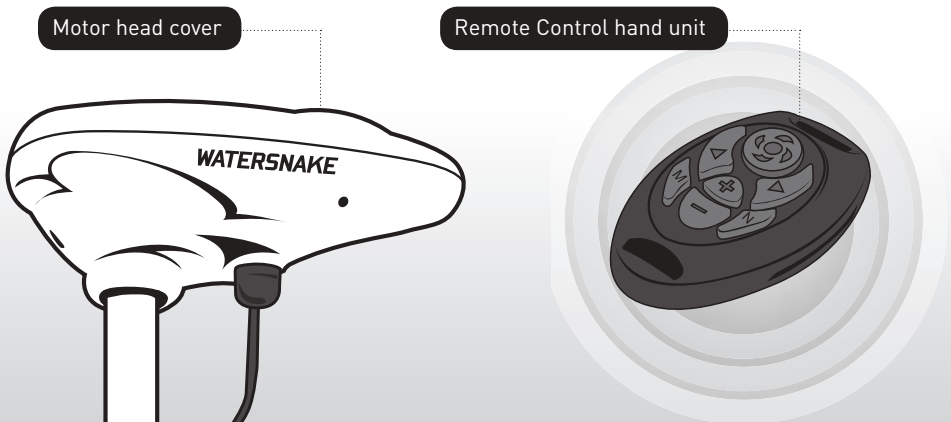


## **SYNCING THE REMOTE CONTROL HAND UNIT TO YOUR WATERSNAKE MOTOR**

NOTE – before proceeding remove the propeller (if fitted) from your Watersnake motor

- Remove the top cover of the motor head cover (4 x phillips head screws)
- Ensure that your motor is in the deployed (vertical) position and that it is connected to your 12v deep cycle battery
- Press and hold down the RC chip button (light may flash or stay lit – either is OK) – refer to diagram on page
- At the same time, press and hold either the left (refer to new diagram function number) or the right (refer to the new diagram function number) button on the remote control hand unit
- Slowly count to 10 whilst holding both buttons
- Release both buttons
- Test that the sync process has been completed by pressing one of the function buttons on the remote control hand unit
- If the remote control hand unit fails to sync with the motor repeat above steps until the sync process is successful

NOTE – It may take several attempts for the remote control hand unit to sync successfully with your Watersnake motor. This is not necessarily an indication of a fault although if repeated attempts fail it may indicate that the battery in your remote control hand unit needs replacing



# SLIDER PRO

## MAINTENANCE

Your Watersnake Electric Motor should provide many seasons of dependable service. However, like any tool, electric motors must be cared for.

After each day of fishing, the motor should be cleaned thoroughly. A light rinse with fresh water (do not direct a high pressure stream of water at the motor) and wash with warm soapy water to remove any remaining salt / debris particles should be completed. It is good practice to pay particular attention to areas that are likely to hold salt / debris particles such as the shaft of the motor and the area surrounding the turning motor housing where the depth collar sits when the motor is deployed.

**NOTE** – The above cleaning routine should also be followed even if the motor has been used in fresh water. Dust / dirt can still build up in fresh water environments.

Dry excess moisture from the motor and sparingly lubricate all friction points – a pressurized spray lubricant is ideal. It is important to keep the shaft of your motor as smooth as possible to avoid deployment issues. A light coat of wax or a coating with a spray lubricant should be applied to the shaft a couple of times a year.

Periodical general maintenance (once or twice a year depending on use)

- Remove side covers from the mounting assembly and clean any build up of dirt / debris that may be present on the inside of the bow mount assembly (mounting bracket). Applying harsh chemical cleaners is not recommended – warm soapy water should be sufficient.
- While side covers from the mounting assembly are removed apply marine grade grease to the quick lock and release mechanism. Do not use grease that may contain lead particles.
- Check for any loose screws / bolts / fittings and tighten as required.
- Check wiring / terminals for any sign of corrosion or build up of debris
- Check fuse or circuit breaker for any sign of corrosion or build up of debris



**WATERSNAKE®**  
**ELECTRIC MOTORS**

## **RECOMMENDATIONS WHEN USING YOUR WATERSNAKE MOTOR IN THE WATER**

Upon connecting your battery to your motor, and before setting off in your boat, make sure that your trolling motor is mounted correctly and stowed securely in the mounting bracket. Of course once you engage your Watersnake motor for use make sure that it is in the right place, not too low or too high. Once you are in deep water, you should make sure that you gradually increase the speed of your trolling motor, do not flatten it up to full speed right away. For example, if you have a 5 speed trolling motor, don't click through all of the other speeds really fast to get to 5, slowly go up to 1 speed, 2 speed, and so on. It is recommended not to run your trolling motor out of water for long periods of time.

## **RECOMMENDATIONS WHEN YOUR WATERSNAKE MOTOR IS OUT OF THE WATER**

After washing down your Watersnake motor at the end of a session, you may need to charge your 12v deep cycle marine battery. Before charging your battery, ensure that your Watersnake motor is disconnected from the battery. DO NOT leave your motor connected whilst charging your battery.

If your boat is not stored under cover, it is recommended to remove your Watersnake motor and store separately under cover, out of direct sunlight and away from wet or damp areas. If you are not able to remove your Watersnake from the boat, we recommend covering your Watersnake with a weatherproof cover to protect the electronics.

The off-season provides a good opportunity to complete some maintenance as outlined on page 13

When towing your boat long distances and especially if driving over rough / unsealed roads, we strongly recommend that you remove your Watersnake motor from your bow and stow safely in either your vehicle or boat.

## SHORT-TERM STORAGE OF YOUR WATERSNAKE MOTOR

If you are going to be gone for a short break or there is rain forecast and the motor is to remain on the boat, we recommend covering the motor to protect the electronics. Even better, make sure that you have a safe non-damp area that your trolling motor can stay in room temperature.

## LONG-TERM STORAGE OF YOUR WATERSNAKE MOTOR

If you are not going to use your motor in the off-season, put your motor in a safe place where no water or extreme cold or hot temperatures can get in. We suggest making a place under-cover away from moisture, this should protect the electronics such as the circuit board and speed control unit.

## SERVICING YOUR WATERSNAKE ELECTRIC MOTOR

A current list of authorised service agents can be found at Jarvis Walker's Anglers Central

Service Centre website – [www.anglerscentral.com.au](http://www.anglerscentral.com.au)

Schematics and parts lists are also available from the Anglers Central Service Centre website

## TROUBLESHOOTING QUICK REFERENCE GUIDE

A significant number of issues can be caused by a disruption of power supplied to your Watersnake motor. Careful inspection of your 12v deep cycle battery, wiring and fuse / circuit breaker set up should be completed before assuming that there is a fault with your motor.

### No power / Reduced power

NOTE – your Watersnake motor is fitted with a tilt switch that prevents the motor from running unless it is in the deployed (vertical) position.

- Check that battery connection has not been reversed (reversed polarity)
- Check that your 12v deep cycle battery is fully charged (+ 12v)
- Check terminals / connections are secure and not loose
- Check terminals / connections / fuse or circuit breaker for any signs of damage, corrosion or build up of debris
- If battery lead has been extended, ensure correct gauge wire has been used (refer to table on page 9 of manual)
- Remove propeller and check for any build up of fishing line / weed or any other debris
- Check that propeller pin (shear pin) is in place
- Armature or magnet cracked or dislodged – grinding noise will come from motor (CONTACT REPAIR AGENT)



**WATERSNAKE®**  
**ELECTRIC MOTORS**

### **Noise or vibration coming from motor**

Check that propeller is securely tightened and shear pin is in place  
Remove propeller and check for any build up of fishing line / weed or any other debris

- Check that your 12v deep cycle marine battery is fully charged (+ 12v)

### **Motor will not run at variable speeds**

- Check that your 12v deep cycle marine battery is fully charged (+ 12v)
- Check terminals / connections are secure and not loose
- Check terminals / connections / fuse or circuit breaker for any signs of damage, corrosion or build up of debris
- Check that foot control plugs are not not loose
- Check that foot control constant on/off switch is in the forward position (refer page 10)

### **Difficulty deploying or stowing**

- Ensure that you are following the correct deployment / stowing process (refer diagram on page 4)
- Check for any obstructions within the mounting bracket
- Lubricate shaft with spray lubricant (concentrate spray on area where shaft runs through turning motor housing)
- Clean any debris from the mounting bracket
- Remove the side plastic covers from the mounting bracket and apply marine grade grease to the mechanism

### **Remote control hand unit not operational**

- Battery may need to be changed
- Re-sync hand unit to motor (refer page 12)

### **Foot control unit not operational or one or more functions not operational**

- Check that foot control lead plugs are secured
- Refer to foot control operation guide on page 10

**A number of service videos are available on the Jarvis Walker Brands Youtube channel – search “Jarvis Walker Brands” from the Youtube search function. Please contact Jarvis Walker or your nearest service agent should issues persist.**



# SLIDER PRO

## MODEL SPECIFICATIONS

CODE	MOTOR DESCRIPTION	THRUST	VOLT	AMPS	WATTS	RPM	SHAFT	COLOUR	BRACKET	STEERING	SPEEDS	PROP
55242	Slider Pro SWRC54/54	54lb	12v	13-54	156-640	1370	54"	White	Composite	Foot Control/ Remote Fob	Variable	3-Blade
55254	Slider Pro SWRC65/54	65lb	12v	13-50	172-760	1160	54"	White	Composite	Foot Control/ Remote Fob	Variable	3-Blade

Model range and specifications are correct at time of printing.

For new models not listed here find specifications at: [www.jarvismarine.com.au](http://www.jarvismarine.com.au)





## MOTOR SELECTION GUIDE

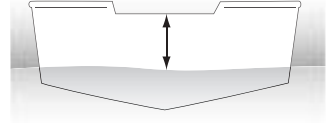
### WATERSNAKE SHAFT LENGTH GUIDE

With your boat in the water, measure the distance from the mounting surface of the transom or bow to the water level.

The guide shown on the right will assist you in finding the shaft length that best suits your boat.

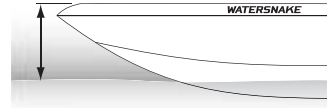
Transom Mount to Water Level	Suggested Shaft Length
Up to 8"	24"
Up to 10"	26"
Up to 12"	30"
10" to 14"	36"
14" to 20"	42"
20" to 22"	48"
22" to 24"	54"

Transom Mount Measurement



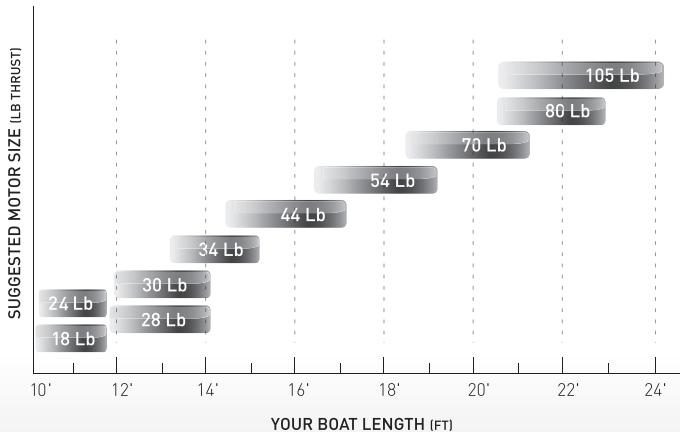
Bow Mount to Water Level	Suggested Shaft Length
14" to 20"	42"
20" to 26"	48"
26" to 32"	54"
32" to 36"	60"

Bow Mount Measurement



### WATERSNAKE MOTOR SIZE GUIDE

The graph shown right is a general guide only. Always speak with your dealer regarding the size of motor that is most appropriate for your boat.



## **SERVICING YOUR WATERSNAKE ELECTRIC MOTOR**

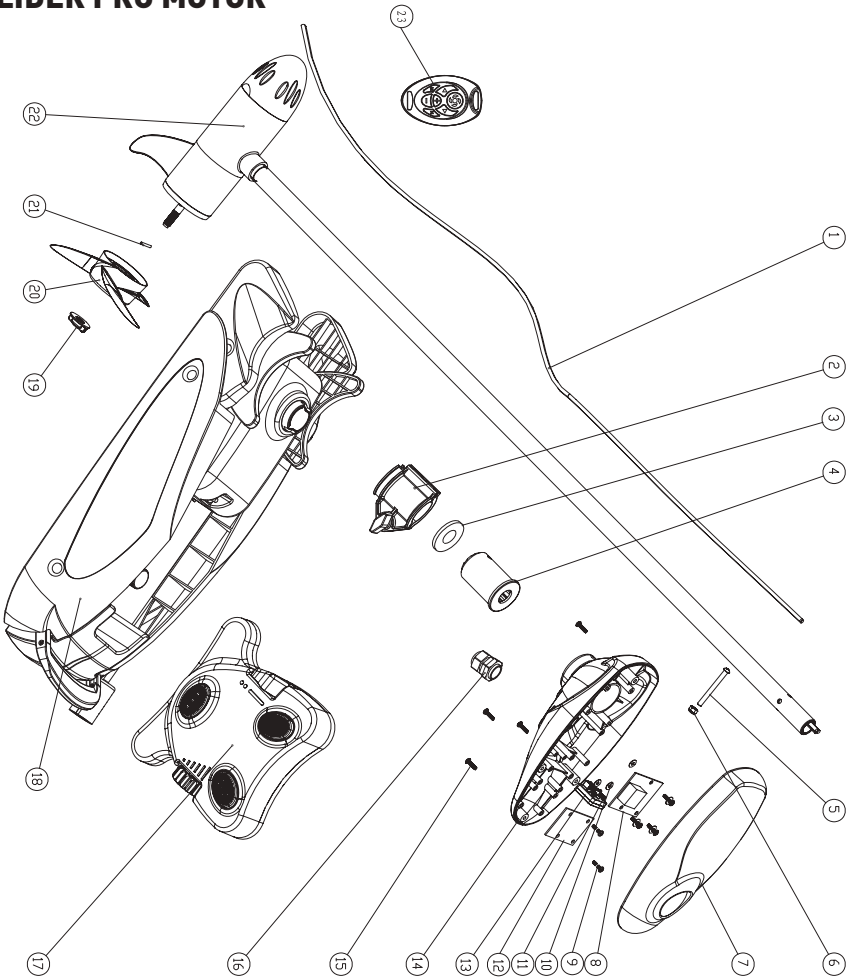
When it's time for your Watersnake electric motor to be serviced, it is recommended you choose to use an Authorised Service Agent such as Anglers' Central Service Centre to perform the service.

Watersnake electric motors are precision instruments that rely on exacting alignment of numerous components; it is worth considering taking your electric motor to an Authorised Service Agent for servicing.

### **IMPORTANT!**

If you choose to service the electric motor yourself or through any other third party not authorised by Watersnake Distribution Pty Ltd to service Watersnake motors, the motor will no longer be covered under the normal consumer guarantees. Items or issues from that time on and thereafter will be the sole responsibility of the owner. It is important to make sure you use good quality grease, and remember do not over lubricate. Small amounts of grease in the correct places are more important.

# SLIDER PRO MOTOR



23	HP6-789,001,00	Remote Control	2
22	HP6-062,265,00	SMRC54-54G-1 Motor Assy	1
21	HP8-264,157,00	Pin	1
20	HP6-393,001,00	Prop	1
19	HP6-482,001,00	Prop Nut	1
18	HP6,125,020,00	Bow Mount Assy	1
17	HP6-041,006,00	Foot Control Pedal	1
16	HP6,428,019,00	Connector	1
15	HP8-903,056,00	Screw	4
14	HP8-076,030,70	Bottom Cover	1
13	HP6,708,001,00	Transducer	1
12	HP6,702,047,00	Remote Control Reception	1
11	HP8-903,042,00	Screw	2
10	HP8-940,021,00	Washer	6
9	HP8-903,059,00	Screw	5
8	HP6,672,011,00	Relay Control Board	1
7	HP8-076,029,70	Top Cover	1
6	HP6-482,002,00	Locking Nut	1
5	HP8-902,197,00	Screw	1
4	HP8,210,365,00	Sleeve	1
3	HP8,662,083,00	Obturator Ring	1
2	HP6,257,011,00	Depth Collar Assy	1
1	HP6,647,095,00	Main Battery Cable	1
NO.	Part Name	Description	QTY

55242 SMRC54/54

## **WATERSNAKE MOTOR ACCESSORIES SOLD SEPERATLY (SEE YOU NEAREST DEALER FOR MORE INFORMATION)**

### **Watersnake Propeller Kits (Sold Separately)**

Watersnake Propeller kits contain a propeller, nut and shear pins. It is recommended you keep a spare propeller on your boat at all times. The Mini 2-Bladed Kit is suitable for the T-18 and T-24 motors. The 2-Bladed Propeller Kit is suitable for 28lb, 30lb and 34lb motors. The 3-Bladed Medium Propeller Kit is suitable for all 44lb and 54lb motors. The 3-Bladed Large Propeller Kit is suitable for all 70lb, 80lb and 105lb motors.



55501  
Large 3 Blade  
Prop (70lb-105lb)

55130  
3 Blade Prop  
(44lb-54lb)

55131  
2 Blade Prop  
(28-34lb)

55500  
2 Blade Mini Prop  
(18lb-24lb)



### **Watersnake Propeller Accessory Kit**

This kit is very handy and we suggest you keep one at all times. Consists of a propeller nut wrench, propeller nut and shear pins.

55132

### **Watersnake Telescopic Extendable Motor Handle**

The Watersnake Telescopic Handle can extend to 24" and will fit most tiller handles. (Please note this accessory does not fit the ASP series of motors. 55507



## Watersnake Trolling Motor Connectors

Watersnake Motor Connector Plugs makes it very quick and simple to remove and replace your motor from the boat as well as providing a better connection to your power source. Available in a 12v plug.



**55505**  
12V Male  
2 wire



**55506**  
12V Female  
2 wire



## Watersnake Circuit Breaker

This simple-to-install kit is a must-have to protect your electric motor: the circuit breaker activates in situations where your motor becomes over-loaded.

55516

**When going out on the water make sure that you have enough PFDs for everyone. ( Please ensure you choose the correct PFD for the right application. )**

Watersnake offers an extensive range of PFDs for both adult's and children. They come in a range of styles and sizes and they all meet the Australian and New Zealand safety standard. See your nearest Watersnake stockist for the full range or visit our website:[www.watersnake.com.au](http://www.watersnake.com.au) for more information.



(Please note: PFDs are only available for sale in Australia.)

# WATERSNAKE®

## CONTACT INFORMATION

REGION/COUNTRY	DISTRIBUTOR	PHONE
<b>Asia Pacific</b>		
Australia	Jarvis Walker	+61 3 8787 6900
(West Australia)	Benbow Outdoors	+61 8 9302 5552
China	Jarvis Walker International	+86 21 6356 5078
South Korea	Plady Co., Ltd	+82 10 9894 9938
New Zealand	Brittain Wynyard	+64-9 309 0519
<b>USA</b>		
	Innovative Procurement, LLC	+1 573 346 7447
<b>Africa</b>		
South Africa	Apex Walker	+27 11 7920 611
<b>Russia</b>		
	Badger Ltd.	+7 812 321 8880
<b>Europe</b>		
Austria	Aquazona	+420 386 357 881
Bosnia	Aquazona	+420 386 357 881
Bulgaria	Aquazona	+420 386 357 881
Czech Republic	Aquazona	+420 386 357 881
Denmark	Wiggler AB	+0303 798 744
Finland	Wiggler AB	+0303 798 744
Germany	World Fishing Tackle	+49 0 900 123 58 13
Ireland	Masterline Walker	+44 0 1684 299 000
Italy	Europesca Sport	+39 06 6500 2449
Luxembourg	World Fishing Tackle	+49 0 900 123 58 13
Montenegro	Aquazona	+420 386 357 881
Netherlands	World Fishing Tackle	+49 0 900 123 58 13
Norway	Wiggler AB	+0303 798 744
Romania	Aquazona	+420 386 357 881
Serbia	Aquazona	+420 386 357 881
Slovakia	Aquazona	+420 386 357 881
Slovenia	Aquazona	+420 386 357 881
Sweden	Wiggler AB	+0303 798 744
United Kingdom	Masterline Walker	+44 0 1684 299 000

[www.watersnake.com.au](http://www.watersnake.com.au)

Watersnake Distribution Pty. Ltd.  
297-305 South Gippsland Highway  
Dandenong South, Victoria 3175 Australia  
ACN: 143 230 175

Watersnake® and Jarvis Marine® are registered trademarks of Watersnake Distribution Pty. Ltd.

© Watersnake Distribution Pty. Ltd. All Rights Reserved.  
Specifications are subject to change without notice.