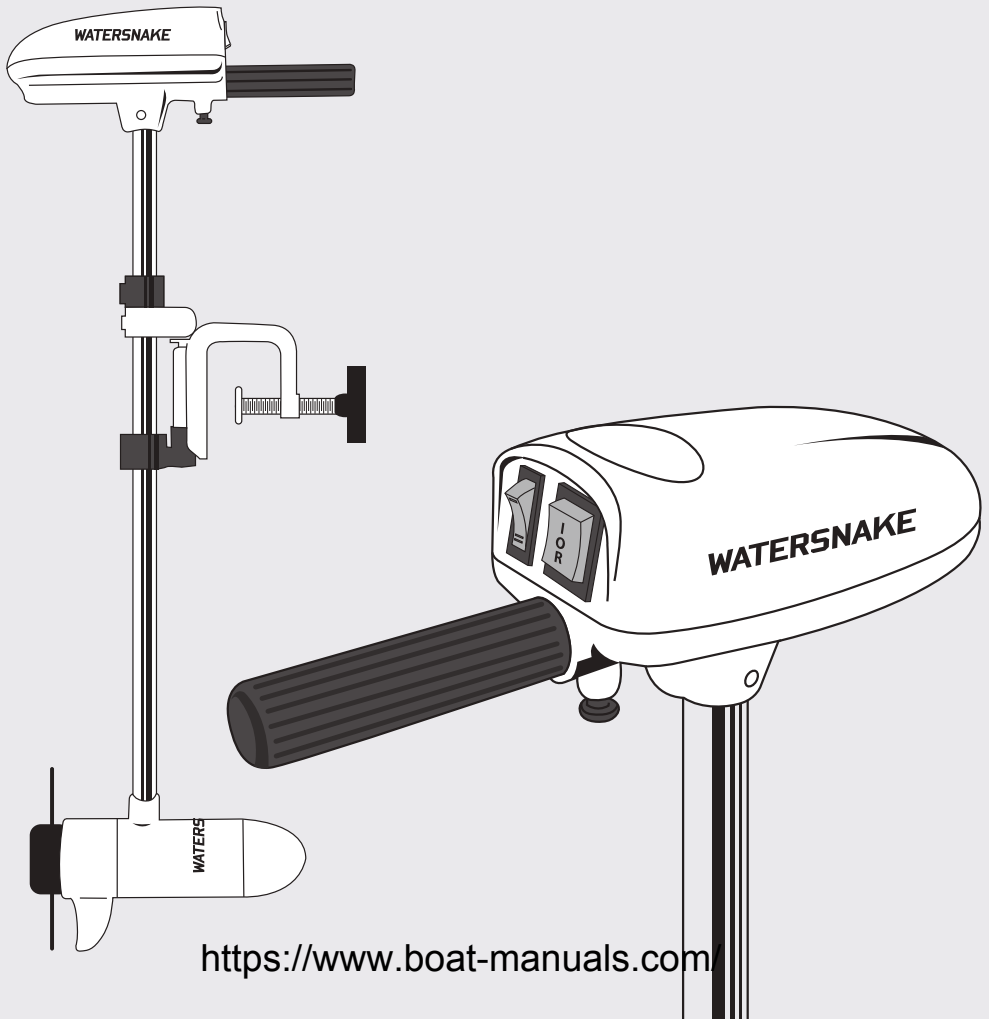




WATERSNAKE[®]
ELECTRIC MOTORS

ASP
TRANSOM MOUNT ELECTRIC MOTOR
OWNERS MANUAL



<https://www.boat-manuals.com/>



SPECIFICATION SUMMARY

MODEL	ASP T-18 (Saltwater)
VOLTAGE (V)	12
MAX.THURST (LB)	18
SHAFT LENGTH (IN)	24
MIN AMP DRAW (A/H)	7
MAX AMP DRAW (A/H)	15
PROP	2 BLADE
MOUNTING	TRANSOM
REQUIRED BATTERY	12v DEEP CYCLE MARINE
MIN. RECOMMENDED BATTERY SIZE	20 - 40 AMP HOUR **

MODEL	ASP T-24 (Saltwater)
VOLTAGE (V)	12
MAX.THURST (LB)	24
SHAFT LENGTH (IN)	24
MIN AMP DRAW (A/H)	9
MAX AMP DRAW (A/H)	20
PROP	2 BLADE
MOUNTING	TRANSOM
REQUIRED BATTERY	12v DEEP CYCLE MARINE
MIN. RECOMMENDED BATTERY SIZE	20 - 40 AMP HOUR **

**** NOTE** - this is to be used as a guide only. Check with your battery supplier to confirm required size of 12 volt deep cycle marine battery that will be appropriate for your situation.

PRE INSTALLATION CHECKLIST

- Familiarise yourself with the user manual and the various parts of your Watersnake motor
- Select desired mounting location on boat
- 12 v deep cycle marine battery
(your Watersnake motor is not designed for use with car / truck / motorcycle type batteries) – for more information about appropriate batteries for your Watersnake motor, refer to page 8
- Check battery cable length in relation to location of your 12v deep cycle battery. If extension to battery cable is required, refer to table on page 8
NOTE – if extending battery cable ensure that the circuit breaker remains in place on the positive wire

PRE-USE CHECKLIST – CHECK BEFORE EACH USE

- Ensure that your Watersnake motor is securely attached to your boat (refer to page 4 of manual)
- Fully charged 12v deep cycle marine battery (your Watersnake motor is not designed to be used with a car / truck / motorcycle type battery)
- Check battery cable for any signs of damage or exposed wiring
- Check terminals for any signs of corrosion or debris
- Check fuse assembly / circuit breaker – clean if any signs of corrosion or debris. Replace fuse if necessary. (If your motor is equipped with one.)



WATERSNAKE®
ELECTRIC MOTORS

WATERSNAKE ELECTRIC MOTORS

Congratulations and welcome to a world of silent motoring.

Powerful yet silent, the Watersnake electric motors are built to suit all angling conditions. High quality materials, superior design and precision engineering make these motors longwearing and reliable.

Please read manual completely before starting installation.

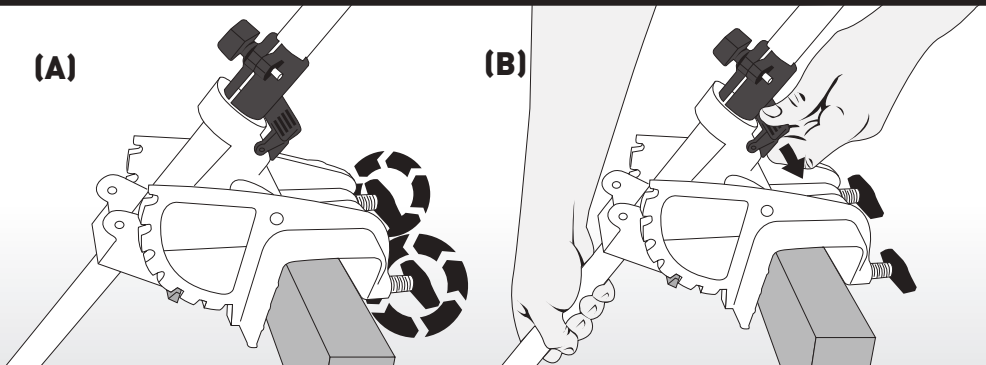
ATTACHING THE MOTOR TO YOUR BOAT

Attach the motor to the stern of the boat and tighten both mounting bolts securely while taking care not to over-tighten. (A)

To adjust the angle of the motor after attachment, hold the motor head with one hand and depress the positioning pin at the top of the mounting bracket with your other hand. Press and hold the positioning pin until the desired angle has been reached, next release the pin and ensure the mechanism locks securely. (B)

Please note the angle adjustment option is only available on the ASP T-24 Motor with the metal bracket. The ASP-T18 Motor with the Nylon Bracket does not tilt.

TIGHTEN BOTH BOLTS SECURELY



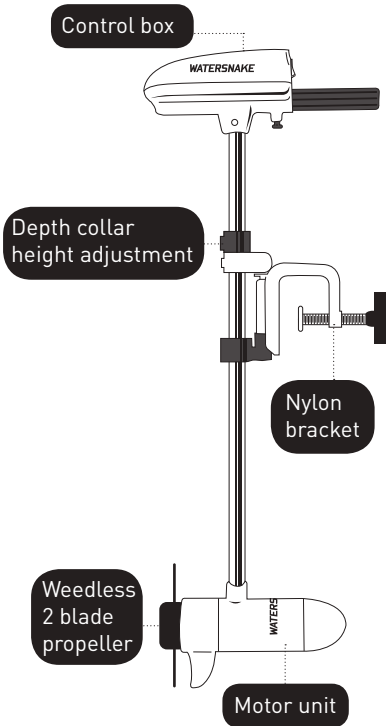
**DEPRESS THE POSITIONING PIN
TO AJUST TILT OF THE BRACKET**

PLEASE NOTE:

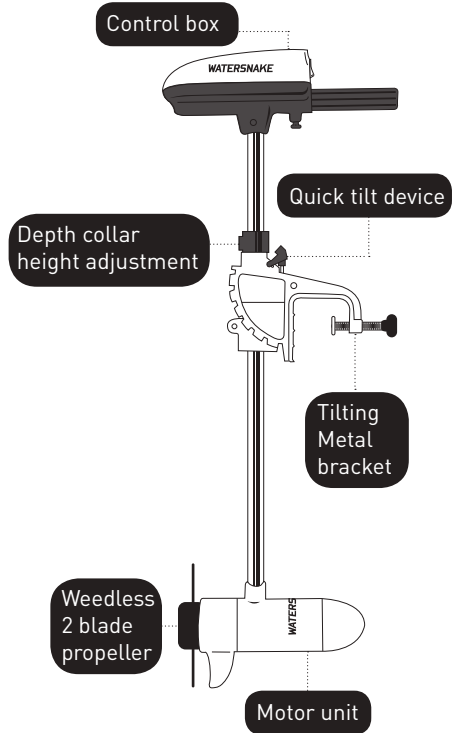
Watersnake Distribution Pty Ltd accepts no liability for personal injury or property damage caused while mounting this motor.

FEATURES

ASP T-18 Motor



ASP T-24 Motor



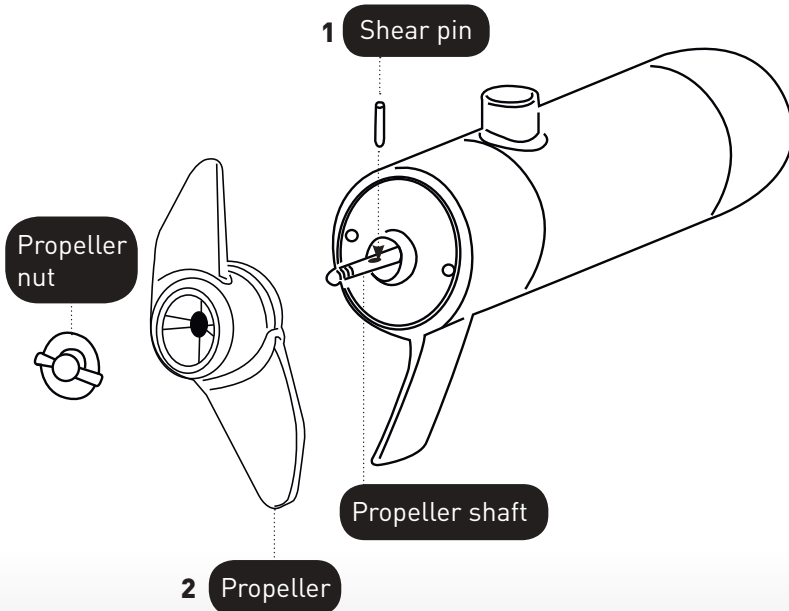
Please note the ASP T-18 motors do not have a tilting feature.



ATTACHING THE PROPELLER

Before doing anything with the propeller, ensure the cables to the battery are disconnected.

- 1: Place shear pin in shaft as shown.
- 2: Align the propeller against the shear pin on the shaft (there is a groove on the back of the propeller which the shear pin needs to slot into) and then tighten the propeller nut securely.



ELECTRICAL CONNECTIONS

Before connecting the motor's cables to the battery terminals, ensure all switches are in the OFF position and stand clear of the propeller.

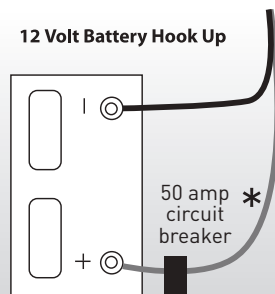
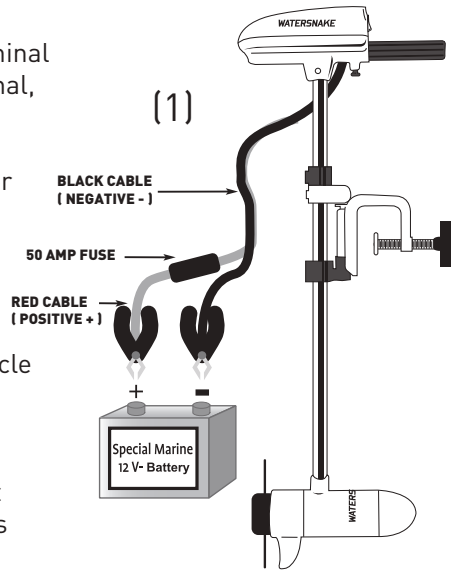
Connect the red cable to the positive (+) terminal and the black cable to the negative (-) terminal, making sure the terminals are clean before doing so. A clean connection will minimise power wastage and give you maximum power from the battery.

Please Note: for best performance please keep battery terminals and connections clean.

There are a number of different methods of connecting battery leads to your 12v deep cycle battery. Your Watersnake motor is supplied as standard with alligator clip type terminal connectors although this can be changed to suit your particular set up. If fitting different terminal connectors ensure that connections are soldered and sealed appropriately. It is recommended to use heat shrink to seal any exposed joints in wiring or connectors. Any non-standard terminal connections must be capable of handling a minimum of 50 amps. Anderson plugs are a popular choice amongst many Watersnake motor owners and are readily available.

A Watersnake circuit breaker is highly recommended. Attach to the red power cable to protect the circuit boards of the motor. As shown on diagram 1. This is a connection that joins the motor battery cable to the battery and shuts the motor off if the connection over heats. See Watersnake circuit breaker on page 20. Available as a separate purchase.

We recommend using a deep cycle marine battery for optimum performance.





WATERSNAKE®
ELECTRIC MOTORS

WIRE EXTENSION LENGTH	SUGGESTED WIRE GAUGE
1m	6 AWG / 6GA
3m	4 AWG / 4GA
5m	2 AWG / 2GA

Note that above table is intended as a guide only. Your local electrical supplier will be able to advise in greater detail based on your particular set up and requirements.

DEEP CYCLE BATTERIES

A 12v deep cycle marine battery is required for normal operation and continued use of your Watersnake motor. 12v deep cycle marine batteries are constructed using thicker plates and a denser active material. They are built to withstand repeated charge and recharge cycles. Deep cycle marine batteries are specifically designed to deliver sustained power with low current draw over extended periods of time. Car / Truck / Motorcycle batteries are not designed in the same way and are more useful for providing high bursts of power for short periods. Use of car / truck / motorcycle batteries can cause damage to electronic components within your Watersnake motor.

STOWING

When your Watersnake motor is not in use always stow and store it properly.

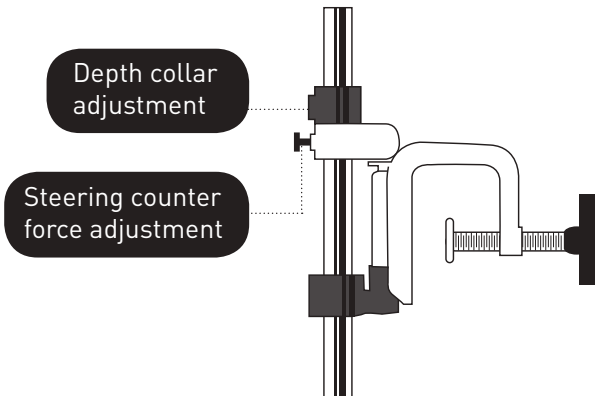
DEPTH ADJUSTMENT

Hold the motor shaft with one hand, loosen the depth collar adjustment screw and set the motor to the desired depth, then retighten the adjusting screw of the depth collar securely.

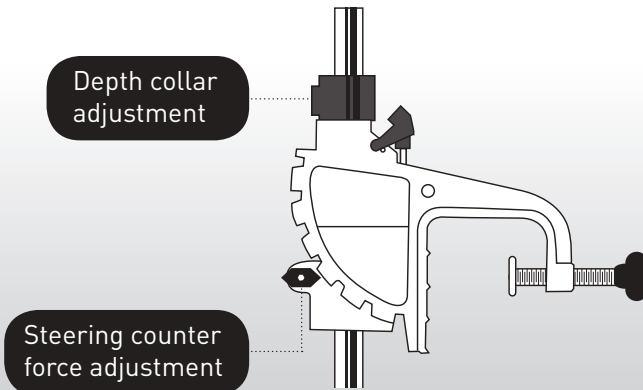
STEERING

To adjust steering counter-force, simply loosen or tighten the counterforce bolt. The ideal setting is one where the counterforce bolt is just tight enough so that the boat will steer in the direction you are aiming without need for continual correction.

ASP T-18 NYLON BRACKET



ASP T-24 METAL BRACKET

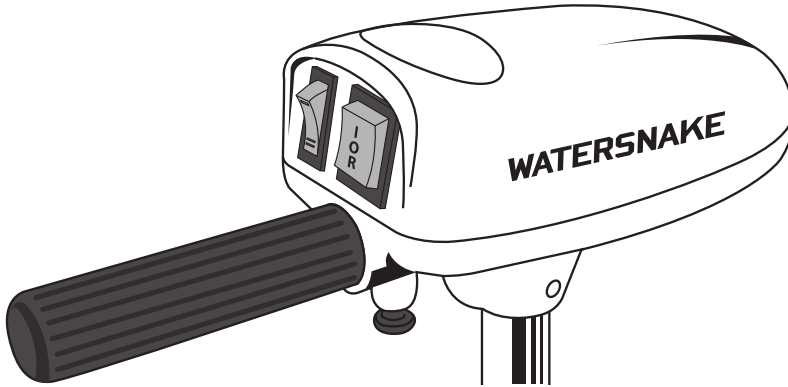




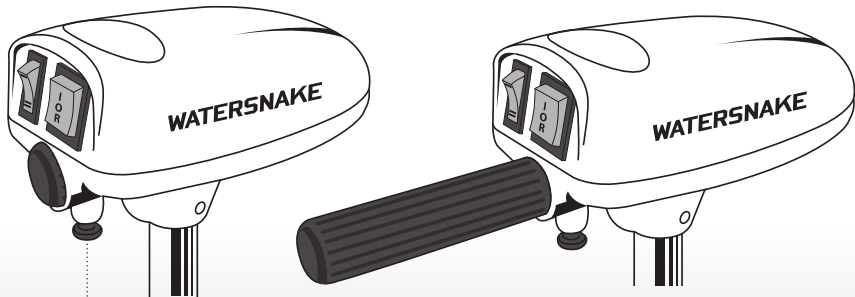
WATERSNAKE®
ELECTRIC MOTORS

HEAD UNIT & SPEED CONTROL

The Head units controls are easy to use. There is a switch for forward and reverse (F o R) and a switch for low (-) or high speeds (=).



The handle of the motor head is stowable and extends with the pull of a button. This makes the motor more compact and easier to store away when not in use.



Pull button to
extend handle.

MAINTENANCE

Your Watersnake Electric Motor should provide many seasons of dependable service. However, like any tool, electric motors must be cared for.

After each day of fishing, the motor should be cleaned thoroughly. A light rinse with fresh water (do not direct a high pressure stream of water at the motor) and wash with warm soapy water to remove any remaining salt / debris particles should be completed. It is good practice to pay particular attention to areas that are likely to hold salt / debris particles such as the shaft of the motor and the area surrounding the transom mount bracket.

NOTE – The above cleaning routine should also be followed even if the motor has been used in fresh water. Dust / dirt can still build up in fresh water environments.

Dry excess moisture from the motor and sparingly lubricate all friction points – a pressurized spray lubricant is ideal. It is important to keep the shaft of your motor as smooth as possible to avoid deployment issues. A light coat of wax or a coating with a spray lubricant should be applied to the shaft a couple of times a year.

Periodical general maintenance (once or twice a year depending on use)

- Check for any loose screws / bolts / fittings and tighten as required.
- Check wiring / terminals for any sign of corrosion or build up of debris
- Check fuse or circuit breaker for any sign of corrosion or build up of debris



WATERSNAKE®
ELECTRIC MOTORS

RECOMMENDATIONS WHEN USING YOUR WATERSNAKE MOTOR IN THE WATER

Upon connecting your battery to your motor, and before setting off in your boat, make sure that your trolling motor is mounted correctly. Of course once you engage your Watersnake motor for use make sure that it is in the right place, not too low or too high. It is recommended not to run your trolling motor out of water for long periods of time.

RECOMMENDATIONS WHEN YOUR WATERSNAKE MOTOR IS OUT OF THE WATER

After washing down your Watersnake motor at the end of a session, you may need to charge your 12v deep cycle marine battery. Before charging your battery, ensure that your Watersnake motor is disconnected from the battery. DO NOT leave your motor connected whilst charging your battery.

If your boat is not stored under cover, it is recommended to remove your Watersnake motor and store separately under cover, out of direct sunlight and away from wet or damp areas. If you are not able to remove your Watersnake from the boat, we recommend covering your Watersnake with a weatherproof cover to protect the electronics.

The off-season provides a good opportunity to complete some maintenance as outlined on page 11.

When towing your boat long distances and especially if driving over rough / unsealed roads, we strongly recommend that you remove your Watersnake motor from your boat and stow safely in either your vehicle or boat.

SHORT-TERM STORAGE OF YOUR WATERSNAKE MOTOR

If you are going to be gone for a short break or there is rain forecast and the motor is to remain on the boat, we recommend covering the motor to protect the electronics. Even better, make sure that you have a safe non-damp area that your trolling motor can stay in room temperature.

LONG-TERM STORAGE OF YOUR WATERSNAKE MOTOR

If you are not going to use your motor in the off-season, put your motor in a safe place where no water or extreme cold or hot temperatures can get in. We suggest making a place under-cover away from moisture, this should protect the electronics such as the circuit board and speed control unit.

SERVICING YOUR WATERSNAKE ELECTRIC MOTOR

A current list of authorised service agents can be found at Jarvis Walker's Anglers Central Service Centre website – www.anglerscentral.com.au

Schematics and parts lists are also available from the Anglers Central Service Centre website.

TROUBLESHOOTING QUICK REFERENCE GUIDE

A significant number of issues can be caused by a disruption of power supplied to your Watersnake motor. Careful inspection of your 12v deep cycle battery, wiring and fuse / circuit breaker set up should be completed before assuming that there is a fault with your motor.

No power / Reduced power

- Check that battery connection has not been reversed (reversed polarity)
- Check that your 12v deep cycle battery is fully charged (+ 12v)
- Check terminals / connections are secure and not loose
- Check terminals / connections / fuse or circuit breaker for any signs of damage, corrosion or build up of debris
- If battery lead has been extended, ensure correct gauge wire has been used (refer to table on page 8 of manual)
- Remove propeller and check for any build up of fishing line / weed or any other debris
- Check that propeller pin (shear pin) is in place
- Armature or magnet cracked or dislodged – grinding noise will come from motor (CONTACT REPAIR AGENT)



WATERSNAKE®
ELECTRIC MOTORS

Noise or vibration coming from motor

Check that propeller is securely tightened and shear pin is in place
Remove propeller and check for any build up of fishing line / weed or any other debris

- Check that your 12v deep cycle marine battery is fully charged (+ 12v)

Difficulty deploying or stowing

- Check for any obstructions within the mounting bracket
- Lubricate shaft with spray lubricant

A number of service videos are available on the Jarvis Walker Brands Youtube channel – search “Jarvis Walker Brands” from the Youtube search function. Please contact Jarvis Walker or your nearest service agent should issues persist.

MODEL SPECIFICATIONS

CODE	MOTOR DESCRIPTION	THRUST	VOLT	AMPS	WATTS	RPM	SHAFT	BRACKET	STEERING	SPEEDS	PROP
55043	ASP T-18 WHITE	18lb	12v	7-15	84-180	1700	24"	Nylon Transom	Stowable Hand Tiller	Hi -Low	2-Blade
55199	ASP T-24 WHITE	24lb	12v	9-20	108-240	1900	24"	Nylon Transom	Stowable Hand Tiller	Hi -Low	2-Blade

USA MODEL SPECIFICATIONS

CODE	MOTOR DESCRIPTION	THRUST	VOLT	AMPS	WATTS	RPM	SHAFT	BRACKET	STEERING	SPEEDS	PROP
55043U	ASP T-18 WHITE	18lb	12v	7-15	84-180	1700	24"	Nylon Transom	Stowable Hand Tiller	Hi -Low	2-Blade
55199U	ASP T-24 WHITE	24lb	12v	9-20	108-240	1900	24"	Nylon Transom	Stowable Hand Tiller	Hi -Low	2-Blade

Model range and specifications are correct at time of printing.

For new models not listed here find specifications at: www.jarvismarine.com.au





MOTOR SELECTION GUIDE

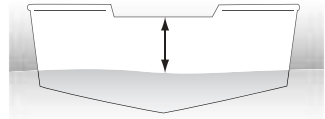
WATERSNAKE SHAFT LENGTH GUIDE

With your boat in the water, measure the distance from the mounting surface of the transom or bow to the water level.

The guide shown on the right will assist you in finding the shaft length that best suits your boat.

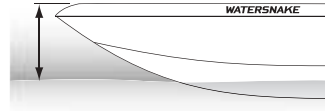
Transom Mount to Water Level	Suggested Shaft Length
Up to 8"	24"
Up to 10"	26"
Up to 12"	30"
10" to 14"	36"
14" to 20"	42"
20" to 22"	48"
22" to 24"	54"

Transom Mount Measurement



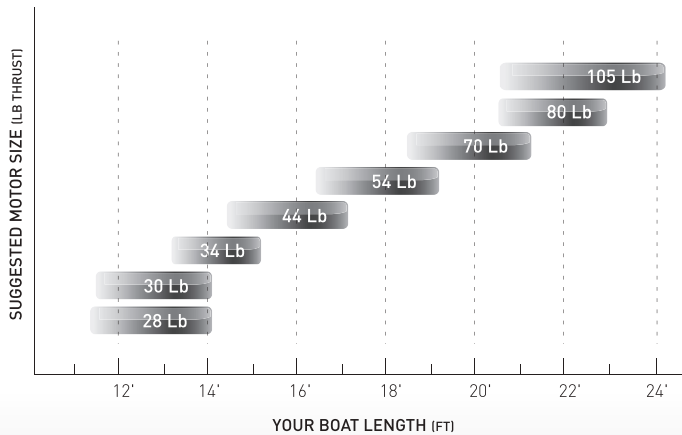
Bow Mount to Water Level	Suggested Shaft Length
14" to 20"	42"
20" to 26"	48"
26" to 32"	54"
32" to 36"	60"

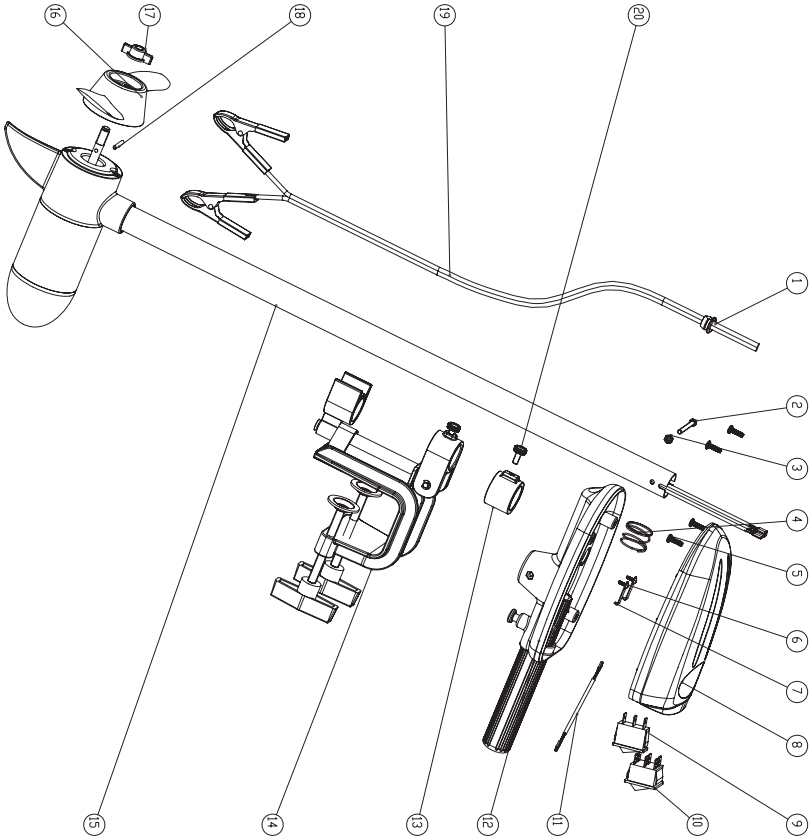
Bow Mount Measurement



WATERSNAKE MOTOR SIZE GUIDE

The graph shown right is a general guide only. Always speak with your dealer regarding the size of motor that is most appropriate for your boat.





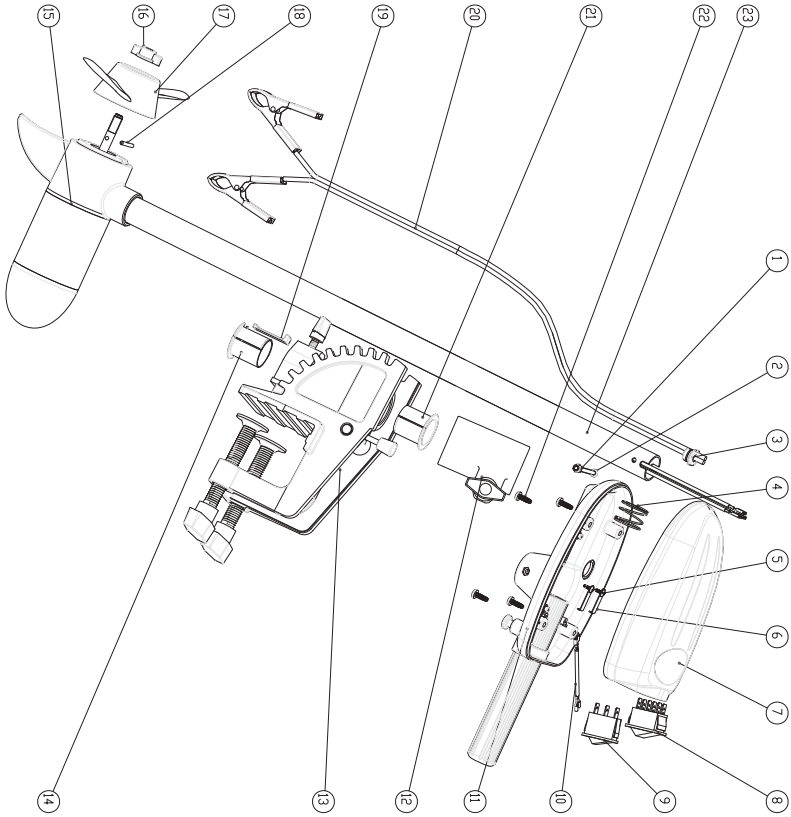
20	HP8, 904, 059, 000	bolt	1
19	HP6, 647, 006, 000	main battery wire	1
18	HP8, 264, 157, 000	pin	1
17	HP8, 939, 001, 000	prop nut	1
16	HP8, 325, 004, 86	prop	1
15	HP6, 062, 079, 000	motor assy (T18-S9)	1
14	HP6, 152, 009, 01	motor assy (T18-F9)	1
13	HP8, 242, 123, 000	depth adjust collar assy	1
12	HP6, 171, 040, 01	bottom cover assy (T18-S9)	1
11	HP6, 447, 007, 000	bottom cover assy (T18-F9)	1
10	HP7, 350, 005, 000	wire assy	1
9	HP7, 350, 006, 000	switch	1
8	HP8, 076, 055, 70	top cover (T18-S9)	1
7	HP8, 076, 055, 000	top cover (T18-F9)	1
6	HP8, 263, 088, 000	press patch	2
5	HP8, 903, 023, 06	bolit	2
4	HP8, 383, 152, 08	spring	4
3	HP8, 379, 059, 000	locking nut	1
2	HP8, 902, 213, 000	bolit	1
1	HP8, 667, 025, 000	battery wire clip	1
No.	Part No.	Part Name	Q'ty

T18 Series



WATERSNAKE®

ELECTRIC MOTORS



1	HP8, 379, 059, 00	locking nut	1
2	HP8, 909, 213, 00	bolt	1
3	HP8, 607, 025, 00	battery wire clip	1
4	HP8, 389, 152, 08	spring	1
5	HP8, 903, 023, 06	press patch	2
6	HP8, 263, 088, 00	top cover (SWT24)	1
7	HP8, 076, 055, 00	top cover (T24)	1
8	HP7, 330, 005, 00	switch	1
9	HP7, 330, 006, 00	switch	1
10	HP6, 647, 007, 00	wire assy	1
11	HP6, 171, 040, 00	bottom cover assy (T24)	1
12	HP6, 257, 000, 00	depth adjust collar assy	1
13	HP6, 152, 020, 00	mount assy	1
14	HP8, 210, 500, 00	slice	1
15	HP6, 062, 197, 00	motor assy (T24)	1
16	HP8, 062, 219, 00	motor assy (SWT24)	1
17	HP8, 919, 001, 00	prop nut	1
18	HP8, 264, 157, 00	pin	1
19	HP8, 602, 012, 10	tension block	1
20	HP6, 647, 006, 00	main battery wire	1
21	HP8, 210, 499, 00	slice	1
22	HP8, 903, 059, 00	bolt	4
23	HP8, 626, 041, 24	shaft	1

T24 Series

NO.	Drawing NO.	Part Name	Q'ty
-----	-------------	-----------	------

WATERSNAKE MOTOR ACCESSORIES SOLD SEPERATLY (SEE YOU NEAREST DEALER FOR MORE INFORMATION)

Watersnake Propeller Kits (Sold Separately)

Watersnake Propeller kits contain a propeller, nut and shear pins. It is recommended you keep a spare propeller on your boat at all times. The Mini 2-Bladed Kit is suitable for the T-18 and T-24 motors. The 2-Bladed Propeller Kit is suitable for 28lb, 30lb and 34lb motors. The 3-Bladed Medium Propeller Kit is suitable for all 44lb and 54lb motors. The 3-Bladed Large Propeller Kit is suitable for all 70lb, 80lb and 105lb motors.



55501
Large 3 Blade
Prop (70lb-105lb)

55130
3 Blade Prop
(44lb-54lb)

55131
2 Blade Prop
(28-34lb)

55500
2 Blade Mini Prop
(18lb-24lb)



Watersnake Propeller Accessory Kit

This kit is very handy and we suggest you keep one at all times. Consists of a propeller nut wrench, propeller nut and shear pins.

55132

Watersnake Telescopic Extendable Motor Handle

The Watersnake Telescopic Handle can extend to 24" and will fit most tiller handles. (Please note this accessory does not fit the ASP series of motors. 55507



Watersnake Trolling Motor Connectors

Watersnake Motor Connector Plugs makes it very quick and simple to remove and replace your motor from the boat as well as providing a better connection to your power source. Available in a 12v plug.



55505
12V Male
2 wire



55506
12V Female
2 wire



Watersnake Circuit Breaker

This simple-to-install kit is a must-have to protect your electric motor: the circuit breaker activates in situations where your motor becomes over-loaded.

55516

When going out on the water make sure that you have enough PFDs for everyone. (Please ensure you choose the correct PFD for the right application.)

Watersnake offers an extensive range of PFDs for both adult's and children. They come in a range of styles and sizes and they all meet the Australian and New Zealand safety standard. See your nearest Watersnake stockist for the full range or visit our website:www.watersnake.com.au for more information.



(Please note: PFDs are only available for sale in Australia.)

WATERSNAKE®

CONTACT INFORMATION

REGION/COUNTRY	DISTRIBUTOR	PHONE
Asia Pacific		
Australia	Jarvis Walker	+61 3 8787 6900
(West Australia)	Benbow Outdoors	+61 8 9302 5552
China	Jarvis Walker International	+86 21 6356 5078
South Korea	Plady Co., Ltd	+82 10 9894 9938
New Zealand	Brittain Wynyard	+64-9 309 0519
USA		
USA	Innovative Procurement, LLC	+1 573 346 7447
Africa		
South Africa	Apex Walker	+27 11 7920 611
Russia		
Russia	Badger Ltd.	+7 812 321 8880
Europe		
Austria	Aquazona	+420 386 357 881
Bosnia	Aquazona	+420 386 357 881
Bulgaria	Aquazona	+420 386 357 881
Czech Republic	Aquazona	+420 386 357 881
Denmark	Wiggler AB	+0303 798 744
Finland	Wiggler AB	+0303 798 744
Germany	World Fishing Tackle	+49 0 900 123 58 13
Ireland	Masterline Walker	+44 0 1684 299 000
Italy	Europesca Sport	+39 06 6500 2449
Luxembourg	World Fishing Tackle	+49 0 900 123 58 13
Montenegro	Aquazona	+420 386 357 881
Netherlands	World Fishing Tackle	+49 0 900 123 58 13
Norway	Wiggler AB	+0303 798 744
Romania	Aquazona	+420 386 357 881
Serbia	Aquazona	+420 386 357 881
Slovakia	Aquazona	+420 386 357 881
Slovenia	Aquazona	+420 386 357 881
Sweden	Wiggler AB	+0303 798 744
United Kingdom	Masterline Walker	+44 0 1684 299 000

www.watersnake.com.au

Watersnake Distribution Pty. Ltd.
297-305 South Gippsland Highway
Dandenong South, Victoria 3175 Australia
ACN: 143 230 175

Watersnake® and Jarvis Marine® are registered trademarks of Watersnake Distribution Pty. Ltd.

© Watersnake Distribution Pty. Ltd. All Rights Reserved.
Specifications are subject to change without notice.