

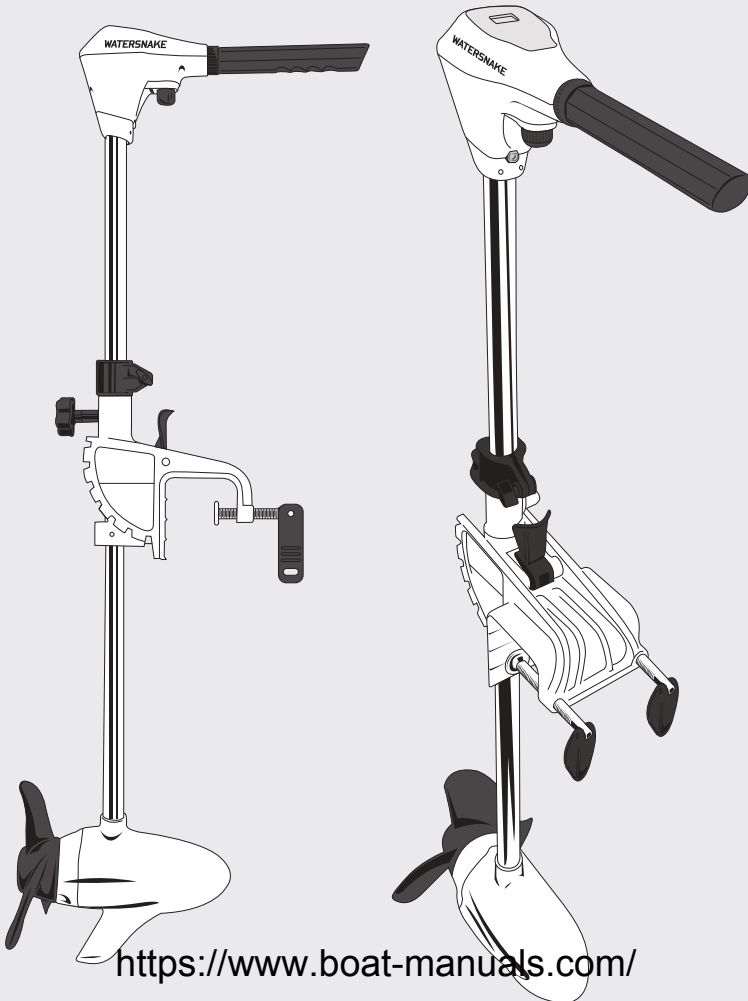


WATERSNAKE[®]

ELECTRIC MOTORS

ADVANCE

TRANSOM MOUNT BRUSHLESS ELECTRIC MOTOR OWNERS MANUAL





WATERSNAKE[®]
ELECTRIC MOTORS

SPECIFICATION SUMMARY

MODEL	SWBL 95/42 (ADVANCE BRUSHLESS)
VOLTAGE (V)	24
MAX.THURST (LB)	95
SHAFT LENGTH (IN)	42
MIN AMP DRAW (A/H)	6
MAX AMP DRAW (A/H)	60
PROP	3 BLADE
FOOT CONTROL	N/A
REMOTE HAND CONTROL	N/A
MOUNTING	ALLOY TRANSOM MOUNT
CIRCUIT BREAKER	N/A
REQUIRED BATTERY	24v DEEP CYCLE MARINE (2 x 12v Batteries)
MIN. RECOMMENDED BATTERY SIZE	80 - 100 AMP HOUR **

MODEL	SWBL 70/42 (ADVANCE BRUSHLESS)
VOLTAGE (V)	12
MAX.THURST (LB)	70
SHAFT LENGTH (IN)	42
MIN AMP DRAW (A/H)	5
MAX AMP DRAW (A/H)	50
PROP	3 BLADE
FOOT CONTROL	N/A
REMOTE HAND CONTROL	N/A
MOUNTING	ALLOY TRANSOM MOUNT
CIRCUIT BREAKER	N/A
REQUIRED BATTERY	12v DEEP CYCLE MARINE
MIN. RECOMMENDED BATTERY SIZE	80 - 100 AMP HOUR **

**** NOTE** - this is to be used as a guide only. Check with your battery supplier to confirm required size of 12 volt deep cycle marine battery that will be appropriate for your situation. Please note 2 x 12v batteries need to be connected together in series configuration to form a 24v battery power supply.

MODEL	SWS 70/36 (ADVANCE BRUSHLESS)
VOLTAGE (V)	12
MAX.THURST (LB)	70
SHAFT LENGTH (IN)	36
MIN AMP DRAW (A/H)	5
MAX AMP DRAW (A/H)	50
PROP	3 BLADE
FOOT CONTROL	N/A
REMOTE HAND CONTROL	N/A
MOUNTING	ALLOY TRANSOM MOUNT
CIRCUIT BREAKER	N/A
REQUIRED BATTERY	12v DEEP CYCLE MARINE
MIN. RECOMMENDED BATTERY SIZE	80 - 100 AMP HOUR **

PRE INSTALLATION CHECKLIST

- Familiarise yourself with the user manual and the various parts of your Watersnake motor
- Select desired mounting location on boat
- Deep cycle marine battery (your Watersnake motor is not designed for use with car / truck / motorcycle type batteries) – for more information about appropriate batteries for your Watersnake motor, refer to page 10
- Check battery cable length in relation to location of your deep cycle battery. If extension to battery cable is required, refer to table on page 10
NOTE – if extending battery cable ensure that the circuit breaker (If your motor is equipped with one.) remains in place on the positive wire

PRE-USE CHECKLIST – CHECK BEFORE EACH USE

- Ensure that your Watersnake motor is securely attached to your boat (refer to page 4 of manual)
- Fully charged deep cycle marine batteries (your Watersnake motor is not designed to be used with a car / truck / motorcycle type batteries)
- Check battery cable for any signs of damage or exposed wiring
- Check terminals for any signs of corrosion or debris
- Check fuse assembly / circuit breaker – clean if any signs of corrosion or debris. Replace fuse if necessary. (If your motor is equipped with one.)



WATERSNAKE®
ELECTRIC MOTORS

WATERSNAKE ELECTRIC MOTORS

Congratulations and welcome to a world of silent motoring.

Powerful yet silent, the Watersnake electric motors are built to suit all angling conditions. High quality materials, superior design and precision engineering make these motors longwearing and reliable.

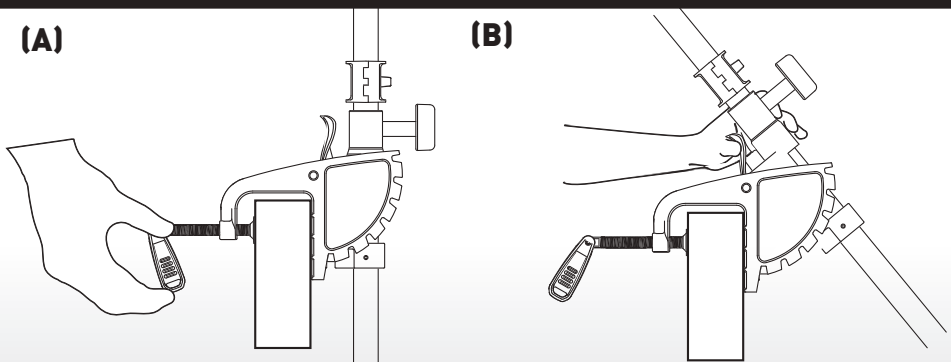
Please read manual completely before starting installation.

ATTACHING THE MOTOR TO YOUR BOAT

Attach the motor to the stern of the boat and tighten both mounting bolts securely while taking care not to over-tighten. (A)

To adjust the angle of the motor after attachment, hold the motor head with one hand and depress the positioning pin at the top of the mounting bracket with your other hand. Press and hold the positioning pin until the desired angle has been reached, next release the pin and ensure the mechanism locks securely. (B)

TIGHTEN BOTH BOLTS SECURELY

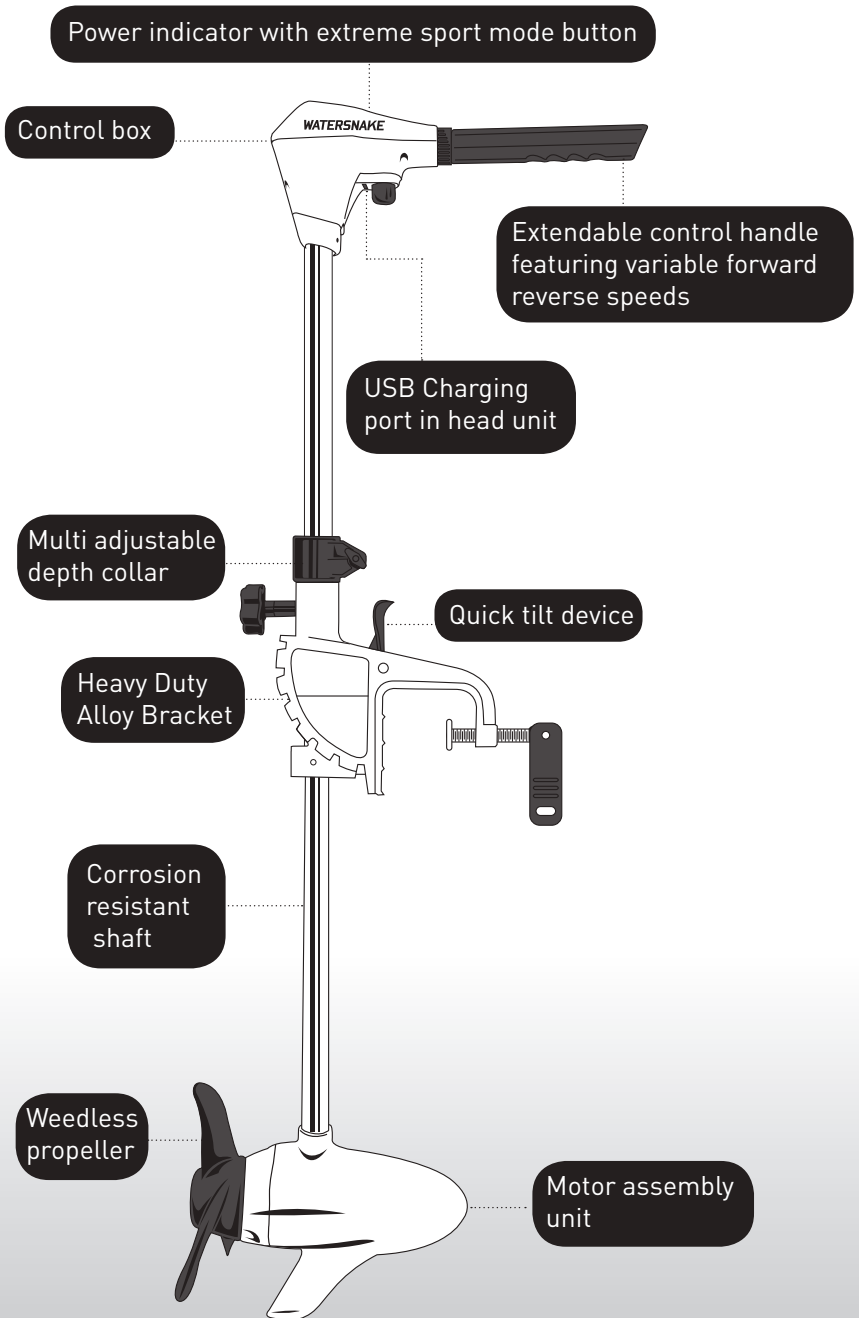


**DEPRESS THE POSITIONING PIN
TO ADJUST TILT OF THE BRACKET**

PLEASE NOTE:

Watersnake Distribution Pty Ltd accepts no liability for personal injury or property damage caused while mounting this motor.

ADVANCE BRUSHLESS

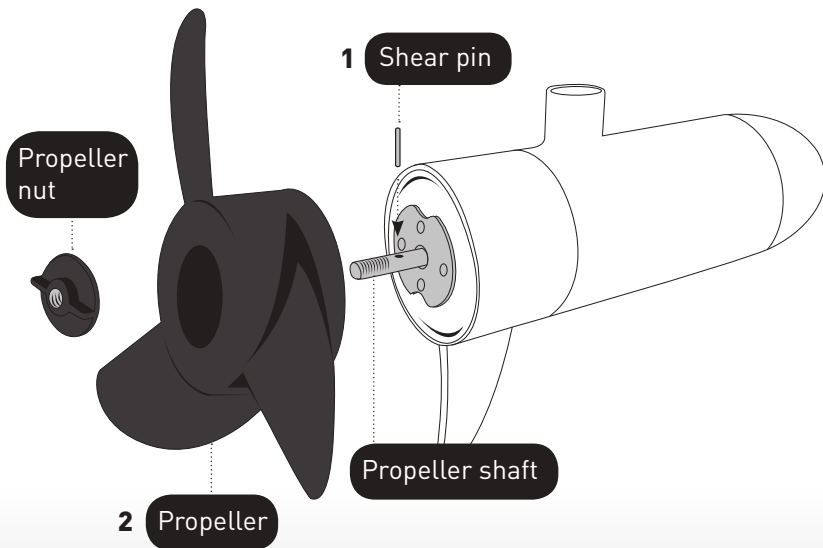




ATTACHING THE PROPELLER

Before doing anything with the propeller, ensure the cables to the battery are disconnected.

- 1: Place shear pin in shaft as shown.
- 2: Align the propeller against the shear pin on the shaft (there is a groove on the back of the propeller which the shear pin needs to slot into) and then tighten the propeller nut securely.

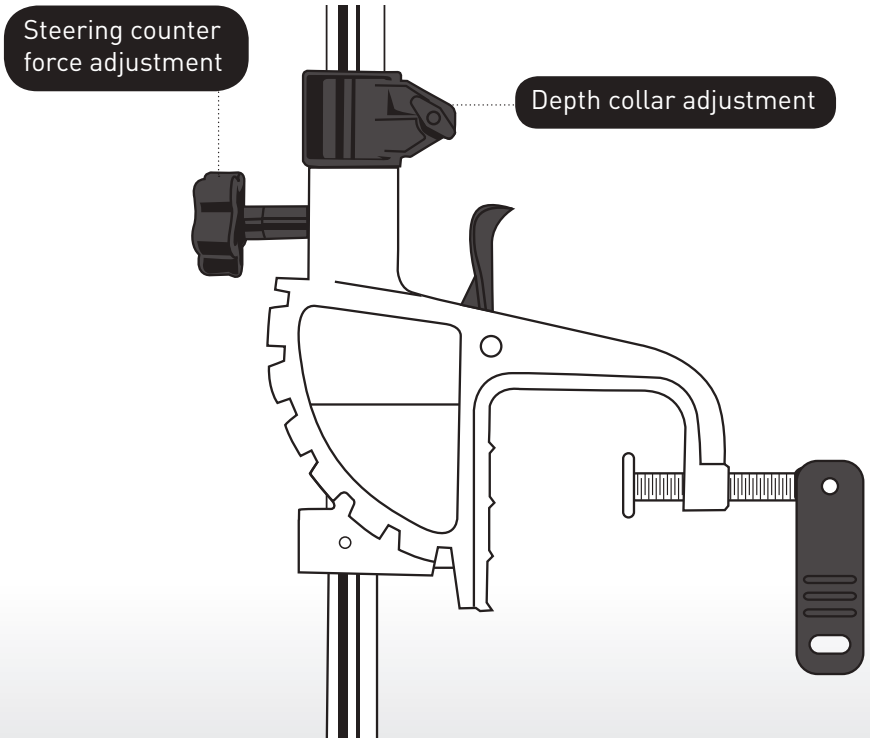


DEPTH ADJUSTMENT

Hold the motor shaft with one hand, loosen the depth collar adjustment screw and set the motor to the desired depth, then retighten the adjusting screw on the depth collar securely.

STEERING

To adjust steering counter-force, simply loosen or tighten the counterforce bolt. The ideal setting is one where the counterforce bolt is just tight enough so that the boat will steer in the direction you are aiming without need for continual correction.





WATERSNAKE®
ELECTRIC MOTORS

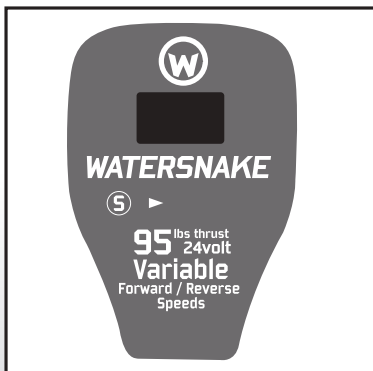
HEAD UNIT FEATURES & SPEED CONTROL

The tiller control is telescopic and can be extended. Simply pull the grip out away from the head unit to set your desired length. Rotate the handle clockwise for forward speed and anti-clockwise for reverse.



EXTENDABLE HANDLE

DIGITAL VOLTAGE METER



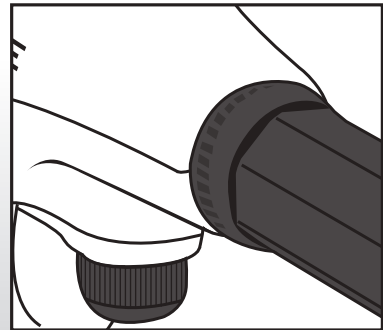
Shows the voltage going into the motor unit from the battery. Also features an extreme sports mode button.

USB CHARGING PORT

Keep items like your phone charged up using the integrated USB charging port.

PLEASE NOTE: Phone not included.

SPEED CONTROL



Forward and reverse variable speed settings.

ADVANCE BRUSHLESS

ELECTRICAL CONNECTIONS

Before connecting the motor's cables to the battery terminals, ensure all switches are in the OFF position and stand clear of the propeller.

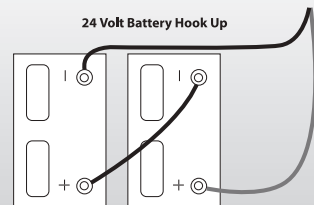
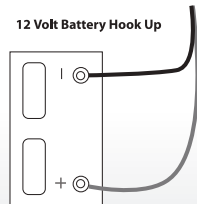
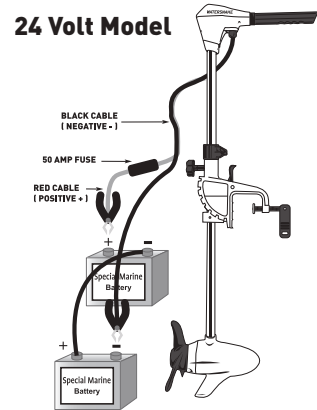
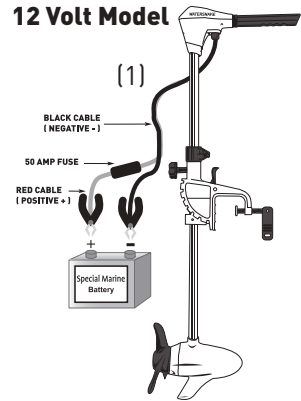
Connect the red cable to the positive (+) terminal and the black cable to the negative (-) terminal, making sure the terminals are clean before doing so. A clean connection will minimise power wastage and give you maximum power from the battery.

Please Note: for best performance please keep battery terminals and connections clean.

There are a number of different methods of connecting battery leads to your deep cycle battery. Your Watersnake motor is supplied as standard with ring type terminal connectors although this can be changed to suit your particular set up. If fitting different terminal connectors ensure that connections are soldered and sealed appropriately. It is recommended to use heat shrink to seal any exposed joints in wiring or connectors. Any non-standard terminal connections must be capable of handling a minimum of 50 amps. Anderson plugs are a popular choice amongst many Watersnake motor owners and are readily available.

A Watersnake circuit breaker is highly recommended. Attach to the red power cable to protect the circuit boards of the motor. As shown on diagram 1. This is a connection that joins the motor battery cable to the battery and shuts the motor off if the connection over heats. See Watersnake circuit breaker on page 22. Available as a separate purchase.

We recommend using a deep cycle marine battery for optimum performance.



* In line fuse kits available separately



WATERSNAKE®
ELECTRIC MOTORS

WIRE EXTENSION LENGTH	SUGGESTED WIRE GAUGE
1m	6 AWG / 6GA
3m	4 AWG / 4GA
5m	2 AWG / 2GA

Note that above table is intended as a guide only. Your local electrical supplier will be able to advise in greater detail based on your particular set up and requirements.

DEEP CYCLE BATTERIES

A deep cycle marine battery is required for normal operation and continued use of your Watersnake motor. Deep cycle marine batteries are constructed using thicker plates and a denser active material. They are built to withstand repeated charge and recharge cycles. Deep cycle marine batteries are specifically designed to deliver sustained power with low current draw over extended periods of time. Car / Truck / Motorcycle batteries are not designed in the same way and are more useful for providing high bursts of power for short periods. Use of car / truck / motorcycle batteries can cause damage to electronic components within your Watersnake motor.

DEPTH ADJUSTMENT

Hold the motor shaft with one hand, loosen the depth collar adjustment screw and set the motor to the desired depth. Then retighten the adjusting screw on the depth collar securely.

STOWING

When your Watersnake motor is not in use always stow and store it properly.

ADVANCE BRUSHLESS

MAINTENANCE

Your Watersnake Electric Motor should provide many seasons of dependable service. However, like any tool, electric motors must be cared for.

After each day of fishing, the motor should be cleaned thoroughly. A light rinse with fresh water (do not direct a high pressure stream of water at the motor) and wash with warm soapy water to remove any remaining salt / debris particles should be completed. It is good practice to pay particular attention to areas that are likely to hold salt / debris particles such as the shaft of the motor and the area surrounding the turning motor housing where the depth collar sits when the motor is deployed.

NOTE – The above cleaning routine should also be followed even if the motor has been used in fresh water. Dust / dirt can still build up in fresh water environments.

Dry excess moisture from the motor and sparingly lubricate all friction points – a pressurized spray lubricant is ideal. It is important to keep the shaft of your motor as smooth as possible to avoid deployment issues. A light coat of wax or a coating with a spray lubricant should be applied to the shaft a couple of times a year.



WATERSNAKE®
ELECTRIC MOTORS

RECOMMENDATIONS WHEN USING YOUR WATERSNAKE MOTOR IN THE WATER

Upon connecting your battery to your motor, and before setting off in your boat, make sure that your trolling motor is mounted correctly and stowed securely. Of course once you engage your Watersnake motor for use make sure that it is in the right place, not too low or too high. Once you are in deep water, you should make sure that you gradually increase the speed of your trolling motor, do not flatten it up to full speed right away. For example, if you have a 5 speed trolling motor, don't click through all of the other speeds really fast to get to 5, slowly go up to 1 speed, 2 speed, and so on. It is recommended not to run your trolling motor out of water for long periods of time.

RECOMMENDATIONS WHEN YOUR WATERSNAKE MOTOR IS OUT OF THE WATER

After washing down your Watersnake motor at the end of a session, you may need to charge your deep cycle marine battery. Before charging your battery, ensure that your Watersnake motor is disconnected from the battery. **DO NOT** leave your motor connected whilst charging your battery.

If your boat is not stored under cover, it is recommended to remove your Watersnake motor and store separately under cover, out of direct sunlight and away from wet or damp areas. If you are not able to remove your Watersnake from the boat, we recommend covering your Watersnake with a weatherproof cover to protect the electronics.

The off-season provides a good opportunity to complete some maintenance as outlined on page 13

When towing your boat long distances and especially if driving over rough / unsealed roads, we strongly recommend that you remove your Watersnake motor from your transom and stow safely in either your vehicle or boat.

ADVANCE BRUSHLESS

SHORT-TERM STORAGE OF YOUR WATERSNAKE MOTOR

If you are going to be gone for a short break or there is rain forecast and the motor is to remain on the boat, we recommend covering the motor to protect the electronics. Even better, make sure that you have a safe non-damp area that your trolling motor can stay in room temperature.

LONG-TERM STORAGE OF YOUR WATERSNAKE MOTOR

If you are not going to use your motor in the off-season, put your motor in a safe place where no water or extreme cold or hot temperatures can get in. We suggest making a place under-cover away from moisture, this should protect the electronics such as the circuit board and speed control unit.

SERVICING YOUR WATERSNAKE ELECTRIC MOTOR

A current list of authorised service agents can be found at Jarvis Walker's Anglers Central Service Centre website – www.anglerscentral.com.au

Schematics and parts lists are also available from the Anglers Central Service Centre website

TROUBLESHOOTING QUICK REFERENCE GUIDE

A significant number of issues can be caused by a disruption of power supplied to your Watersnake motor. Careful inspection of your deep cycle battery, wiring and fuse / circuit breaker set up should be completed before assuming that there is a fault with your motor.

No power / Reduced power

- Check that battery connection has not been reversed (reversed polarity)
- Check that your deep cycle battery is fully charged
- Check terminals / connections are secure and not loose
- Check terminals / connections / fuse or circuit breaker for any signs of damage, corrosion or build up of debris
- If battery lead has been extended, ensure correct gauge wire has been used (refer to table on page 10 of manual)
- Remove propeller and check for any build up of fishing line / weed or any other debris
- Check that propeller pin (shear pin) is in place
- Armature or magnet cracked or dislodged – grinding noise will come from motor (CONTACT REPAIR AGENT)



WATERSNAKE®
ELECTRIC MOTORS

MAINTENANCE

Your Watersnake Electric Motor should provide many seasons of dependable service. However, like any tool, electric motors must be cared for.

After each day of fishing, the motor should be cleaned thoroughly. If you have been fishing in saltwater, it is suggested that you wash the motor with warm fresh soapy water until all salt deposits are washed away. Be careful not to use a gush of water to clean the motor, as this will drive salt particles into the motor's internal mechanisms. Instead use a light stream of water or very fine spray merely to dissolve saltwater particles that have accumulated on the external parts of the motor.

Dry excess moisture from the motor and sparingly lubricate all areas. Many fisherman use a pressurised spray oil for quick and easy lubrication after washing their motor. If you choose to do this, make sure you wash the motor first. Frequently lubricate all frictional points, a reliable heat resistant grease if you are re-greasing internal parts.

Use only greases designed for electric motors. other greases may contain lead particles that may cause damage to electric motor gears. Your motor should always be stored in a cool dry place. Do not store in a plastic bag as this may cause condensation. However, we do recommend you cover your motor if you must leave it outside. Periodically inspect your motor and tighten any loose screws or fittings. Depending on use, your motor should be serviced by an authorised service agent at least once every season.

Trolling motors are designed in quite the same way as a 2-4 stoke outboard motor but they are quiet and very effective for fishing. Many people use trolling motors to enhance their fishing experience, however, and unfortunately many don't maintain or store them correctly, lack of maintenance could lead to power issues.

ADVANCE BRUSHLESS

Noise or vibration coming from motor

Check that propeller is securely tightened and shear pin is in place
Remove propeller and check for any build up of fishing line / weed or any other debris

- Check that your deep cycle marine battery is fully charged

Motor will not run at variable speeds

- Check that your deep cycle battery is fully charged
- Check terminals / connections are secure and not loose
- Check terminals / connections / fuse or circuit breaker for any signs of damage, corrosion or build up of debris

A number of service videos are available on the Jarvis Walker Brands Youtube channel – search “Jarvis Walker Brands” from the Youtube search function. Please contact Jarvis Walker or your nearest service agent should issues persist.



MODEL SPECIFICATIONS

CODE	MOTOR DESCRIPTION	THRUST	VOLT/AMPS	SHAFT	COLOUR	BRACKET	STEERING	SPEEDS	PROP
55236	Advance Brushless SWBL95	95lb	24v / 6-60	42"	White	Alloy Transom	Extend Hand Tiller	Variable	3 Blade
55239	Advance Brushless SWBL70	70lb	12v / 5-50	42"	Black	Alloy Transom	Extend Hand Tiller	Variable	3 Blade
55267	Advance Brushless SWS70	70lb	12v / 5-50	36"	White	Alloy Transom	Extend Hand Tiller	Variable	3 Blade

Model range and specifications are correct at time of printing.

For new models not listed here find specifications at: www.jarvismarine.com.au

MOTOR SELECTION GUIDE

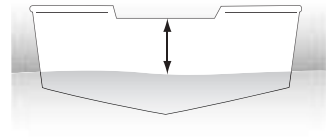
WATERSNAKE SHAFT LENGTH GUIDE

With your boat in the water, measure the distance from the mounting surface of the transom or bow to the water level.

The guide shown on the right will assist you in finding the shaft length that best suits your boat.

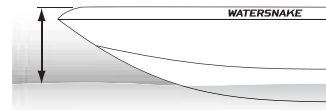
Transom Mount to Water Level	Suggested Shaft Length
Up to 8"	24"
Up to 10"	26"
Up to 12"	30"
10" to 14"	36"
14" to 20"	42"
20" to 22"	48"
22" to 24"	54"

Transom Mount Measurement



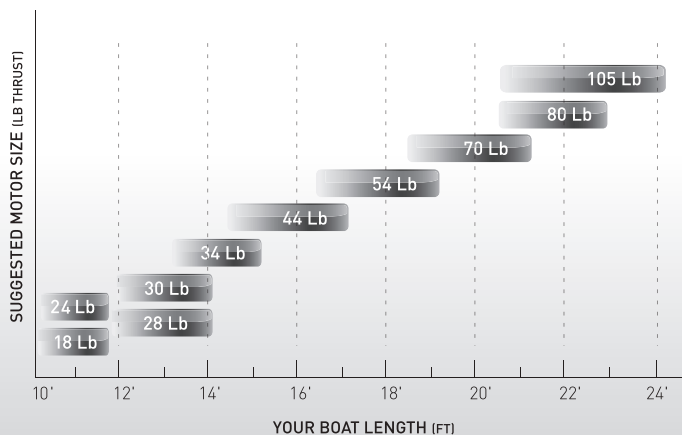
Bow Mount to Water Level	Suggested Shaft Length
14" to 20"	42"
20" to 26"	48"
26" to 32"	54"
32" to 36"	60"

Bow Mount Measurement



WATERSNAKE MOTOR SIZE GUIDE

The graph shown right is a general guide only. Always speak with your dealer regarding the size of motor that is most appropriate for your boat.



SERVICING YOUR WATERSNAKE ELECTRIC MOTOR

When it's time for your Watersnake electric motor to be serviced, it is recommended you choose to use an Authorised Service Agent such as Anglers' Central Service Centre to perform the service.

Watersnake electric motors are precision instruments that rely on exacting alignment of numerous components; it is worth considering taking your electric motor to an Authorised Service Agent for servicing.

IMPORTANT!

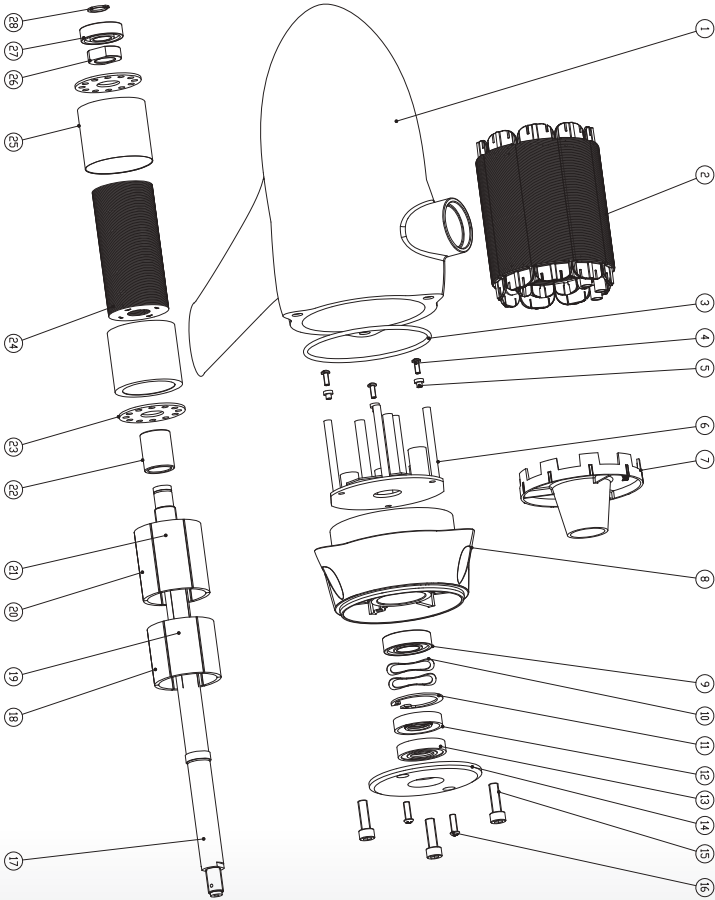
If you choose to service the electric motor yourself or through any other third party not authorised by Watersnake Distribution Pty Ltd to service Watersnake motors, the motor will no longer be covered under the normal consumer guarantees. Items or issues from that time on and thereafter will be the sole responsibility of the owner. It is important to make sure you use good quality grease, and remember do not over lubricate. Small amounts of grease in the correct places are more important.



WATERSNAKE
ELECTRIC MOTORS

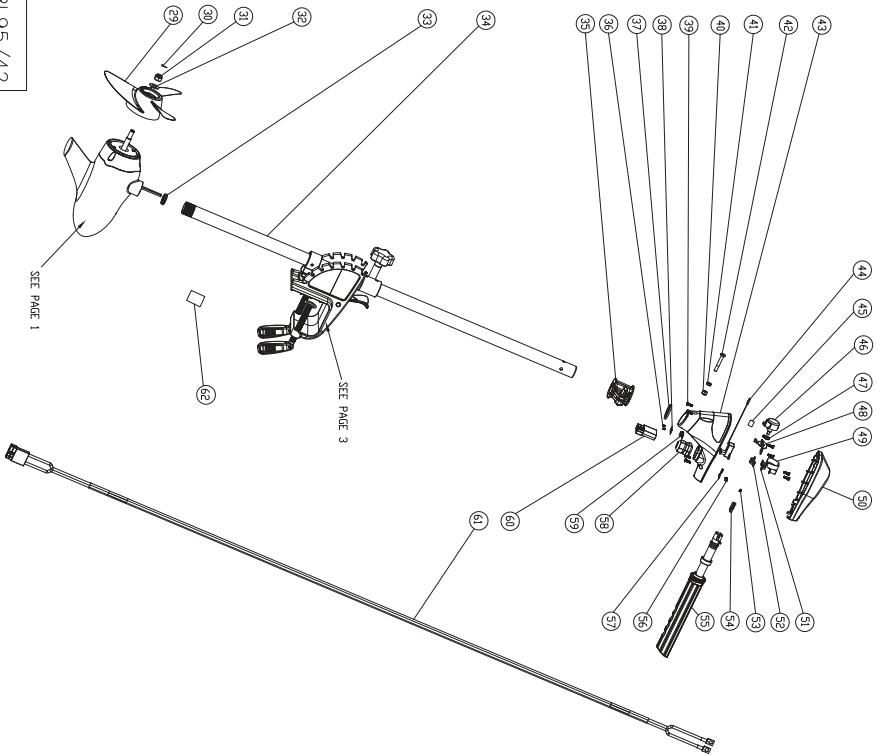
55236 ADVANCE BRUSHLESS SWBL95 MOTOR PARTS LIST

55236 SWBL95/42



26	HP8.2K2717108	stator	1
27	HP8.3K31048.001	housing 127/95/42	1
25	HP8.2131365.016	nut	1
23	HP8.2101868.000	magnetic steel shield	2
24	HP8.6221004.000	rotor fan/rotational fan	2
23	HP7.847.010.000	stator and plates	2
22	HP8.2101868.018	shaft sleeve	1
21	HP8.3300795.007	magnetic steel	3
20	HP8.5300795.007	magnetic steel	3
19	HP8.5300795.007	magnetic steel	3
18	HP8.5300795.007	magnetic steel	3
17	HP8.3140180.000	stator shaft	1
16	HP8.9021193.000	key	2
15	HP8.9021288.000	key	2
14	HP7.680.000.000	shaft protection block	1
13	HP8.683124.000	ballbearing set steel	1
12	HP8.683127.000	ballbearing set steel	1
11	HP8.2421732.016	rotor shaft	1
10	HP8.641298.016	rotor fan/rotational fan	2
9	HP8.303.098.001	housing 131/129/42	1
8	HP8.010.081.158	rotor cover	1
7	HP8.2101867.000	stator sleeve	1
6	HP8.6721080.000	commutator	1
5	HP8.2101870.000	rotor sleeve	3
4	HP8.8022017.46	stator housing	1
3	HP8.602124.000	stator housing	1
2	HP8.602203.000	stator housing	1
1	HP8.034.123.158	stator housing	1

55236 ADVANCE BRUSHLESS SWBL95 MAIN PARTS LIST



62	HP8.210.860.00	Bushing	1
61	HP6.647.136.00	Main battery cable	1
60	HP8.034.1035.00	The connector shell	1
59	HP8.662.109.00	Seal cover	1
58	HP6.428.023.00	Water joint	1
57	HP8.397.101.00	Spring	1
56	HP8.903.078.00	Screw	2
55	HP6.465.117.00	Handle Assy	1
54	HP8.303.030.00	The connecting short	1
53	HP8.392.118.45	Spring	1
52	HP8.667.018.00	Fixing clamp top	1
51	HP8.667.032.00	Fixing clamp bottom	1
50	HP6.171.207.01	Top Cover Assy	1
49	HP8.634.116.00	Wire guard	1
48	HP8.611.102.45	The fixed frame	1
47	HP8.946.011.07	Locking Washer	1
46	HP6.630.019.00	Potentiometer assembly	1
45	HP6.672.058.00	The connector	2
44	HP6.702.067.00	USB step-down controller	1
43	HP8.076.205.70	Bottom cover	1
42	HP8.926.045.45	Bolt	1
41	HP8.220.378.70	Bushing	1
40	HP6.482.000.00	Locking nut	1
39	HP8.903.039.00	Screw	8
38	HP8.610.201.45	Clamp	1
37	HP8.662.083.00	Sealing ring	1
36	HP8.902.143.45	Screw	2
35	HP6.257.009.00	Depth Color Assy	1
34	HP8.626.129.91	Shaft	1
33	HP8.210.740.00	Wire protective sleeve	1
32	HP8.940.625.00	Washer	1
31	HP6.482.006.00	Prop nut	1
30	HP8.264.569.00	Split pin	2
29	HP6.393.011.00	Prop	1
No.	DRAWING NO.	PART NAME	QTY

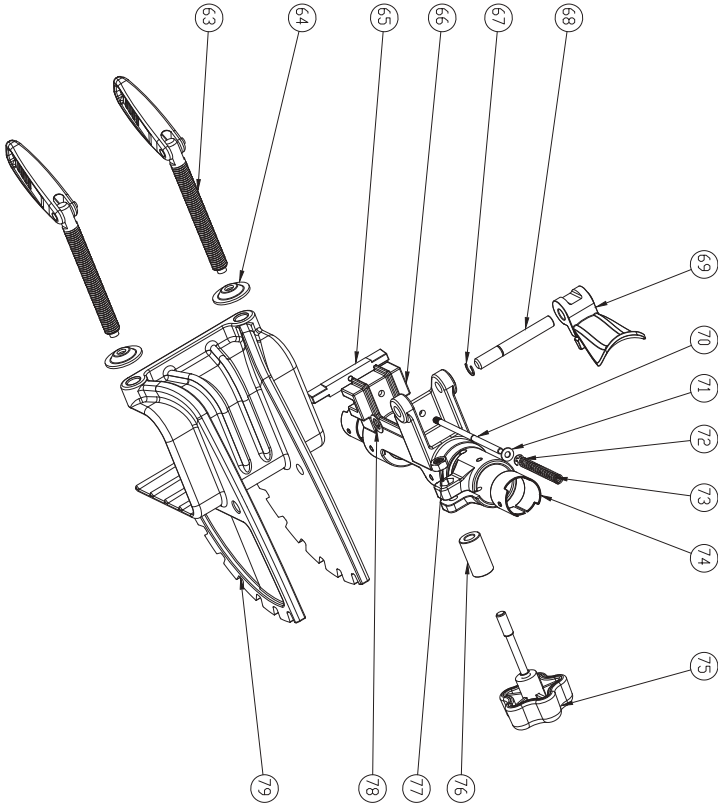
55236 SWBL95/42



WATERSNAKE
ELECTRIC MOTORS

55236 ADVANCE BRUSHLESS SWBL95 BRACKET PARTS LIST

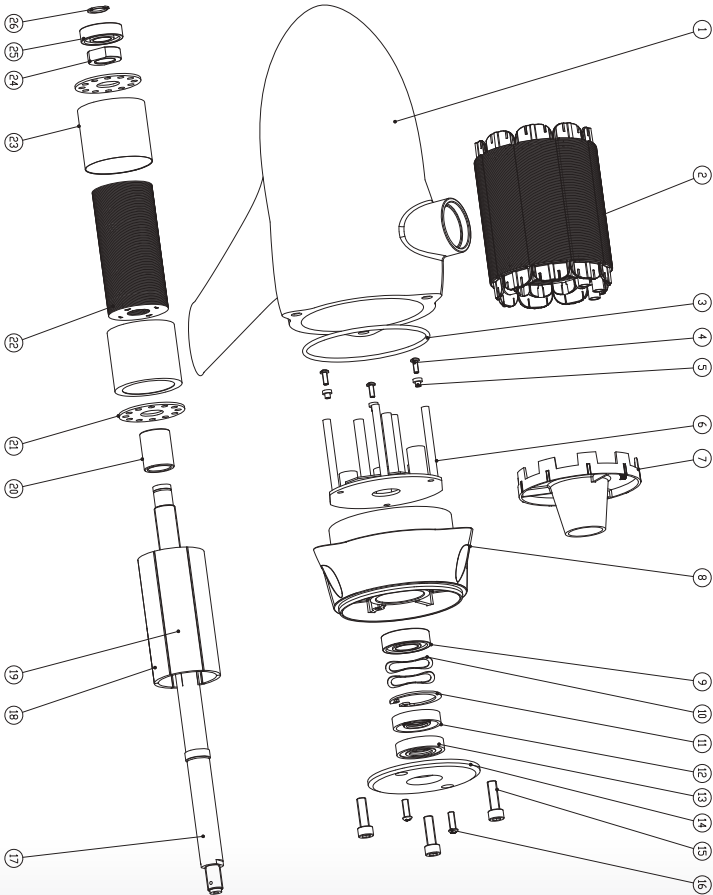
55236 SWBL95/42



79	HP8,008,002,158	suspension bracket	1
78	HP8,940,311,00	washer	2
77	HP8,379,097,00	nut	1
76	HP8,220,402,00	bushing	1
75	HP8,480,007,00	lock handle	1
74	HP8,210,450,00	bushing	2
73	HP8,382,061,00	spring	1
72	HP8,245,030,00	e-shaped handle	1
71	HP8,940,314,00	washer	1
70	HP8,928,043,45	positioning screw	1
69	HP8,331,114,00	pinch	1
68	HP8,264,516,45	axle pin	1
67	HP8,245,080,00	e-shaped handle	1
66	HP8,008,027,158	support frame	1
65	HP8,369,014,24	positioning cross bar	1
64	HP8,946,008,07	clamping washer	2
63	HP8,480,026,00	bolt wing	2
	DRAWING NO.	PART NAME	QTY

55239 ADVANCE BRUSHLESS SWBL70 MOTOR PARTS LIST

55239 SWBL70/42



26	HPH6247170.016	steel lip	1
25	HPH6201004.001	housing 17x48x49	1
24	HPH6370350.016	nut	1
23	HPH6210266.000	propeller nut, 3mm	1
22	HPH6222005.000	prop. mounting ring	1
21	HPH6247170.000	motor end plate	2
20	HPH6210269.016	shaft sleeve	1
19	HPH6330174.007	propeller nut	3
18	HPH6330173.007	propeller nut	3
17	HPH6331418.000	motor shaft	1
16	HPH6302115.005	prop	2
15	HPH622260.000	prop	3
14	HPH622260.000	prop protection blade	3
13	HPH622260.000	blade	3
12	HPH6481124.000	rotation det. ball	1
11	HPH6481127.000	rotation det. ball	1
10	HPH6247170.016	cover steel lip	1
9	HPH641298.016	interposed plastic holder	2
8	HPH6102085.045	housing 18x48x48	1
7	HPH6210269.016	rear cover	1
6	HPH6272094.000	prop sleeve	1
5	HPH6210269.000	prop sleeve	1
4	HPH6022201.045	motor shaft	3
3	HPH6462119.000	motor housing	1
2	HPH6352027.000	motor housing	1
1	HPH6304143.000	motor housing	1

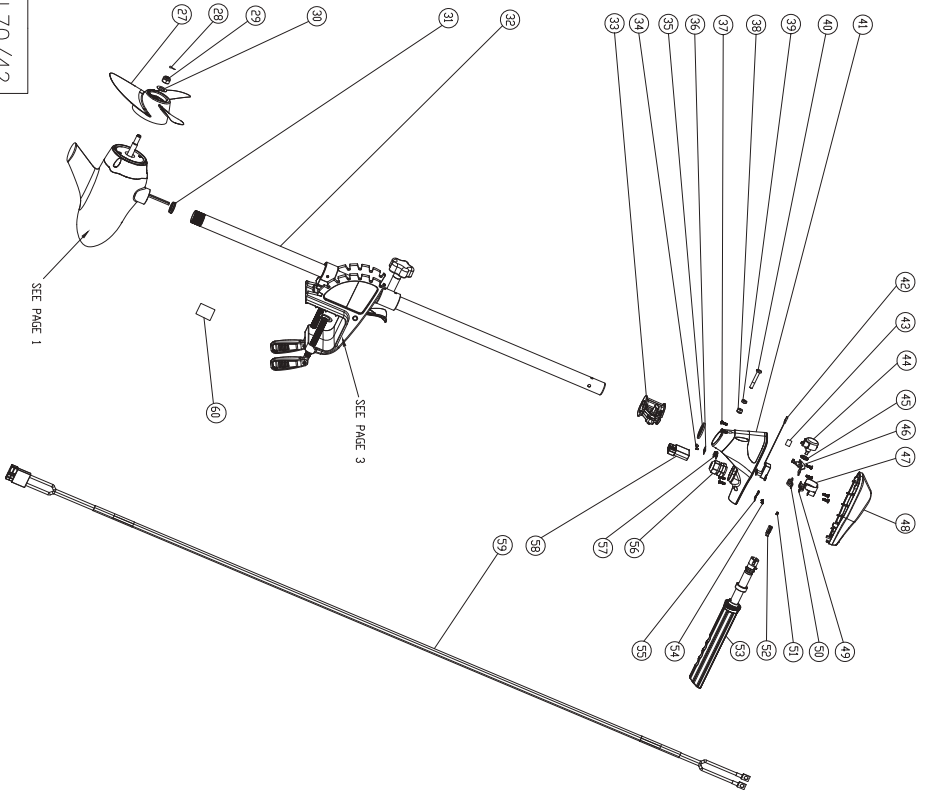
No. DRAWING NO. PART NAME QTY



WATERSNAKE®
ELECTRIC MOTORS

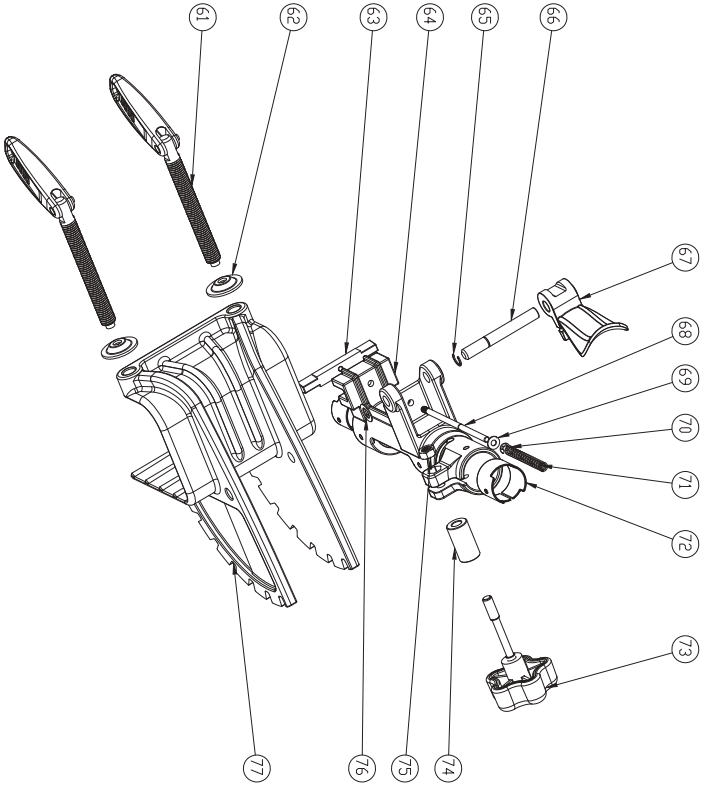
55239 ADVANCE BRUSHLESS SWBL70 MAIN PARTS LIST

55239 SWBL70/42



No.	DRAWING NO.	PART NAME	QTY
27	HP8.393.011.00	Prop	1
28	HP8.264.569.00	Split pin	1
29	HP8.482.006.00	Prop nut	1
30	HP8.940.625.00	Washer	1
31	HP8.210.740.00	Wire protective sleeve	1
32	HP8.628.129.91	Short	1
33	HP8.257.009.00	Screw	2
34	HP8.902.143.45	Depth Collar Assy	1
35	HP8.610.201.45	Clamp	1
36	HP8.682.083.00	Sealing ring	1
37	HP8.903.059.00	Screw	8
38	HP8.482.000.00	Locking nut	1
39	HP8.220.378.70	Bushing	1
40	HP8.926.045.45	Ball	1
41	HP8.076.205.00	Bottom cover	1
42	HP8.702.067.00	USB step-down controller	1
43	HP8.672.058.00	The connector	2
44	HP8.630.019.00	Potentiometer assembly	1
45	HP8.946.011.07	Locking Washer	1
46	HP8.611.102.45	The fixed frame	1
47	HP8.634.116.00	Wire guard	1
48	HP8.171.207.00	Top Cover Assy	1
49	HP8.667.032.00	Firing clamp bottom	1
50	HP8.667.018.00	Firing clamp top	1
51	HP8.382.118.45	Spring	1
52	HP8.303.030.00	The connecting shaft	1
53	HP8.465.117.00	Handle Assy	1
54	HP8.903.078.00	Screw	2
55	HP8.397.101.00	Spring	1
56	HP8.428.023.00	Water joint	1
57	HP8.662.109.00	Seal cover	1
58	HP8.034.105.00	The connector shell	1
59	HP8.647.136.00	Main battery cable	1
60	HP8.210.860.00	Bushing	1

55239 ADVANCE BRUSHLESS SWBL70 BRACKET PARTS LIST



77	HP8.008.002.150	suspension bracket	1
76	HP8.940.311.00	washer	2
75	HP8.379.097.00	nut	1
74	HP8.220.402.00	bushing	1
73	HP8.480.007.00	lock handle	1
72	HP8.210.450.00	bushing	2
71	HP8.382.061.00	spring	1
70	HP8.245.030.00	e-shaped buckle	1
69	HP8.940.314.00	washer	1
68	HP8.926.043.45	positioning screw	1
67	HP8.331.114.00	wrench	1
66	HP8.264.516.45	axle pin	1
65	HP8.245.080.00	c-shaped buckle	1
64	HP8.008.027.150	support frame	1
63	HP8.369.014.24	positioning cross bar	1
62	HP8.946.008.07	clamping washer	2
61	HP8.480.026.00	bolt assy	2
No	DRAWING NO	PART NAME	QTY

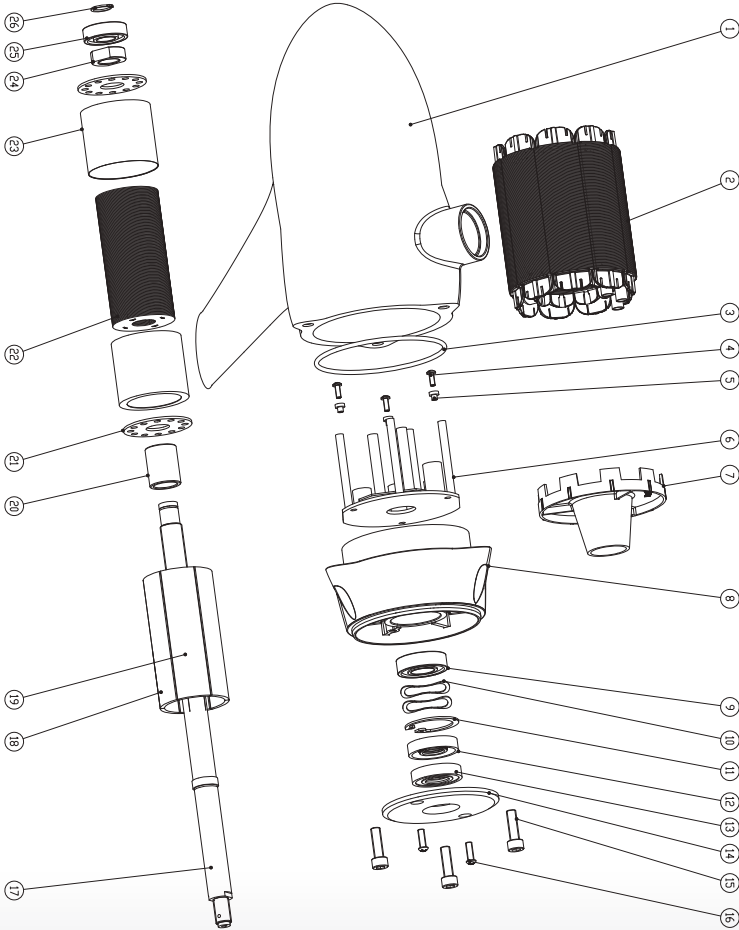
WBL70/42



WATERSNAKE
ELECTRIC MOTORS

55267 ADVANCE BRUSHLESS SWS70 MOTOR PARTS LIST

55267

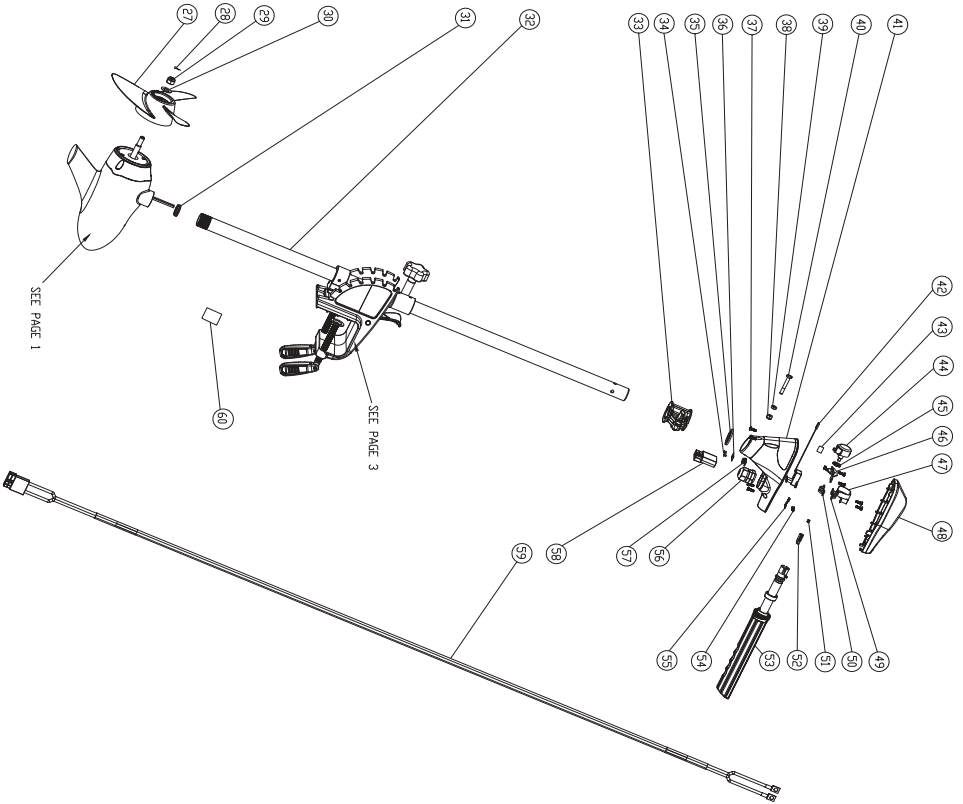


26	HPB-3417170-06	stator	1
25	HPB-2631048-001	housing 13X78X14	1
24	HPB-3778359-016	nut	1
23	HPB-2101866-000	magnetic steel, bobbit	1
22	HPB-6221005-000	rotor, mechanical key	1
21	HPB-244721010-000	commuter and plates	2
20	HPB-2101869-016	shaft, drive	1
19	HPB-3200174-007	magnetic steel	3
18	HPB-3200173-007	magnetic steel	3
17	HPB-3144018-000	commuter shaft	1
16	HPB-3021833-00	spring	2
15	HPB-8022883-00	spring	3
14	HPB-76901005-000	shaft protection block	1
13	HPB-6631124-000	distal end nut	1
12	HPB-6631127-000	distal end nut	1
11	HPB-3417170-016	inner stator	1
10	HPB-3417091-016	intergrated stator, middle	2
9	HPB-3431094-046	housing 13X78X14	1
8	HPB-0101096-158	rotor core	1
7	HPB-2101867-000	1/16 shafts	1
6	HPB-6721091-000	cover/bobbit	1
5	HPB-2101870-000	rotor shafts	3
4	HPB-8022810-045	spring block	3
3	HPB-6621124-000	rotor stator	1
2	HPB-6021027-000	rotor stator	1
1	HPB-0341231-158	rotor housing	1

No. DRAWING NO. PART NAME QTY

55267 ADVANCE BRUSHLESS SWS70 MAIN PARTS LIST

55267



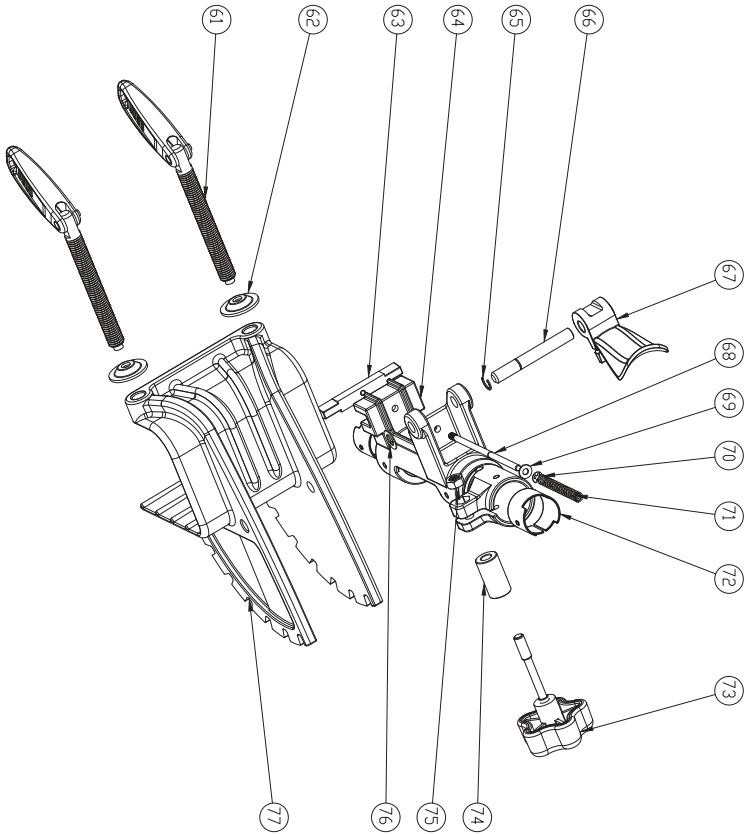
63	HP#8.210.860.00	Bushing	1
59	HP#6.67.136.00	Main battery cable	1
58	HP#8.034.109.00	The connector shell	1
57	HP#8.667.109.00	Seat cover	1
56	HP#8.428.023.00	Water joint	1
55	HP#8.387.101.00	Spring	1
54	HP#8.903.078.00	Spring	2
53	HP#8.465.117.00	Hexide Assy	1
52	HP#8.303.030.00	The connecting shaft	1
51	HP#8.382.118.45	Spring	1
50	HP#8.078.025.00	Propeller	1
49	HP#8.672.422.00	Propeller clamp top	1
48	HP#8.111.507.01	150 Cover Assy	1
47	HP#8.634.118.00	Wax guard	1
46	HP#8.611.102.45	The fixed frame	1
45	HP#8.546.011.07	Locking Washer	1
44	HP#8.630.019.00	Positioner assembly	1
43	HP#6.72.208.00	The connector	2
42	HP#8.702.087.00	USB step-down controller	1
41	HP#8.076.205.70	Bottom cover	1
40	HP#8.926.045.45	Bot	1
39	HP#8.220.378.70	Bushing	1
38	HP#8.482.000.00	Locking nut	1
37	HP#8.503.030.00	Screw	8
36	HP#8.503.030.00	Screw	1
35	HP#8.602.083.00	Seal ring	1
34	HP#8.902.143.65	Screw	2
33	HP#8.457.009.00	Depth Color Assy	1
32	HP#8.626.130.91	Shaft	1
31	HP#8.210.740.00	Wax protective sleeve	1
30	HP#8.540.825.00	Washer	1
29	HP#8.460.006.00	Prop nut	1
28	HP#8.264.569.00	Split pin	1
27	HP#8.353.011.00	Prop	1
No.	DRAWING NO.	PART NAME	QTY



WATERSNAKE®
ELECTRIC MOTORS

55267 ADVANCE BRUSHLESS SWS70 BRACKET PARTS LIST

55267



77	HP8,008,002,158	suspension bracket	1
76	HP8,940,311,00	washer	2
75	HP8,379,097,00	nut	1
74	HP8,220,402,00	bushing	1
73	HP8,480,007,00	bushing	1
72	HP8,210,450,00	lock handle	1
71	HP8,382,061,00	bushing	2
70	HP8,245,030,00	spring	1
69	HP8,940,314,00	e-tamped buckle	1
68	HP8,926,043,45	washer	1
67	HP8,331,114,00	positioning screw	1
66	HP8,264,516,45	wrench	1
65	HP8,245,080,00	axle pin	1
64	HP8,008,027,158	e-shaped buckle	1
63	HP8,369,014,24	support frame	1
62	HP8,946,008,07	positioning cross bar	1
61	HP8,480,026,00	clamping washer	2
		bolt assy	2
	DRAWING NO.	PART NAME	QTY

WATERSNAKE MOTOR ACCESSORIES SOLD SEPERATLY (SEE YOU NEAREST DEALER FOR MORE INFORMATION)

Watersnake Propeller Kits (Sold Separately)

Watersnake Propeller kits contain a propeller, nut and shear pins. It is recommended you keep a spare propeller on your boat at all times. The Mini 2-Bladed Kit is suitable for the T-18 and T-24 motors. The 2-Bladed Propeller Kit is suitable for 28lb, 30lb and 34lb motors. The 3-Bladed Medium Propeller Kit is suitable for all 44lb and 54lb motors. The 3-Bladed Large Propeller Kit is suitable for all 70lb, 80lb and 105lb motors.



55501
Large 3 Blade
Prop (70lb-105lb)

55130
3 Blade Prop
(44lb-54lb)

55131
2 Blade Prop
(28-34lb)

55500
2 Blade Mini Prop
(18lb-24lb)



Watersnake Propeller Accessory Kit

This kit is very handy and we suggest you keep one at all times. Consists of a propeller nut wrench, propeller nut and shear pins.

55132

Watersnake Telescopic Extendable Motor Handle

The Watersnake Telescopic Handle can extend to 24" and will fit most tiller handles. (Please note this accessory does not fit the ASP series of motors. 55507

(Please note: Accessory availability may vary from region to region. Please check with your retailer for availability.)





WATERSNAKE®
ELECTRIC MOTORS

Watersnake Trolling Motor Connectors

Watersnake Motor Connector Plugs makes it very quick and simple to remove and replace your motor from the boat as well as providing a better connection to your power source. Available in a 12v plug.



55505
12V Male
2 wire



55506
12V Female
2 wire



Watersnake Circuit Breaker

This simple-to-install kit is a must-have to protect your electric motor: the circuit breaker activates in situations where your motor becomes over-loaded.

55516

(Please note: Accessory availability may vary from region to region. Please check with your retailer for availability.)

When going out on the water make sure that you have enough PFDs for everyone. (Please ensure you choose the correct PFD for the right application.)

Watersnake offers an extensive range of PFDs for both adult's and children. They come in a range of styles and sizes and they all meet the Australian and New Zealand safety standard. See your nearest Watersnake stockist for the full range or visit our website:www.watersnake.com.au for more information.



(Please note: PFDs are only available for sale in Australia.)



WATERSNAKE[®]
ELECTRIC MOTORS

NOTES: _____

WATERSNAKE®

CONTACT INFORMATION

REGION/COUNTRY	DISTRIBUTOR	PHONE
Asia Pacific		
Australia	Jarvis Walker	+61 3 8787 6900
(West Australia)	Benbow Outdoors	+61 8 9302 5552
China	Jarvis Walker International	+86 21 6356 5078
South Korea	Plady Co., Ltd	+82 10 9894 9938
New Zealand	Brittain Wynyard	+64-9 309 0519
USA		
	Innovative Procurement, LLC	+1 573 346 7447
Africa		
South Africa	Apex Walker	+27 11 7920 611
Russia		
	Badger Ltd.	+7 812 321 8880
Europe		
Austria	Aquazona	+420 386 357 881
Bosnia	Aquazona	+420 386 357 881
Bulgaria	Aquazona	+420 386 357 881
Czech Republic	Aquazona	+420 386 357 881
Denmark	Wiggler AB	+0303 798 744
Finland	Wiggler AB	+0303 798 744
Germany	World Fishing Tackle	+49 0 900 123 58 13
Ireland	Masterline Walker	+44 0 1684 299 000
Italy	Europesca Sport	+39 06 6500 2449
Luxembourg	World Fishing Tackle	+49 0 900 123 58 13
Montenegro	Aquazona	+420 386 357 881
Netherlands	World Fishing Tackle	+49 0 900 123 58 13
Norway	Wiggler AB	+0303 798 744
Romania	Aquazona	+420 386 357 881
Serbia	Aquazona	+420 386 357 881
Slovakia	Aquazona	+420 386 357 881
Slovenia	Aquazona	+420 386 357 881
Sweden	Wiggler AB	+0303 798 744
United Kingdom	Masterline Walker	+44 0 1684 299 000

www.watersnake.com.au

Watersnake Distribution Pty, Ltd.
297-305 South Gippsland Highway
Dandenong South, Victoria 3175 Australia
ACN: 143 230 175

Watersnake® and Jarvis Marine® are registered trademarks of Watersnake Distribution Pty. Ltd.

© Watersnake Distribution Pty, Ltd. All Rights Reserved.
Specifications are subject to change without notice.