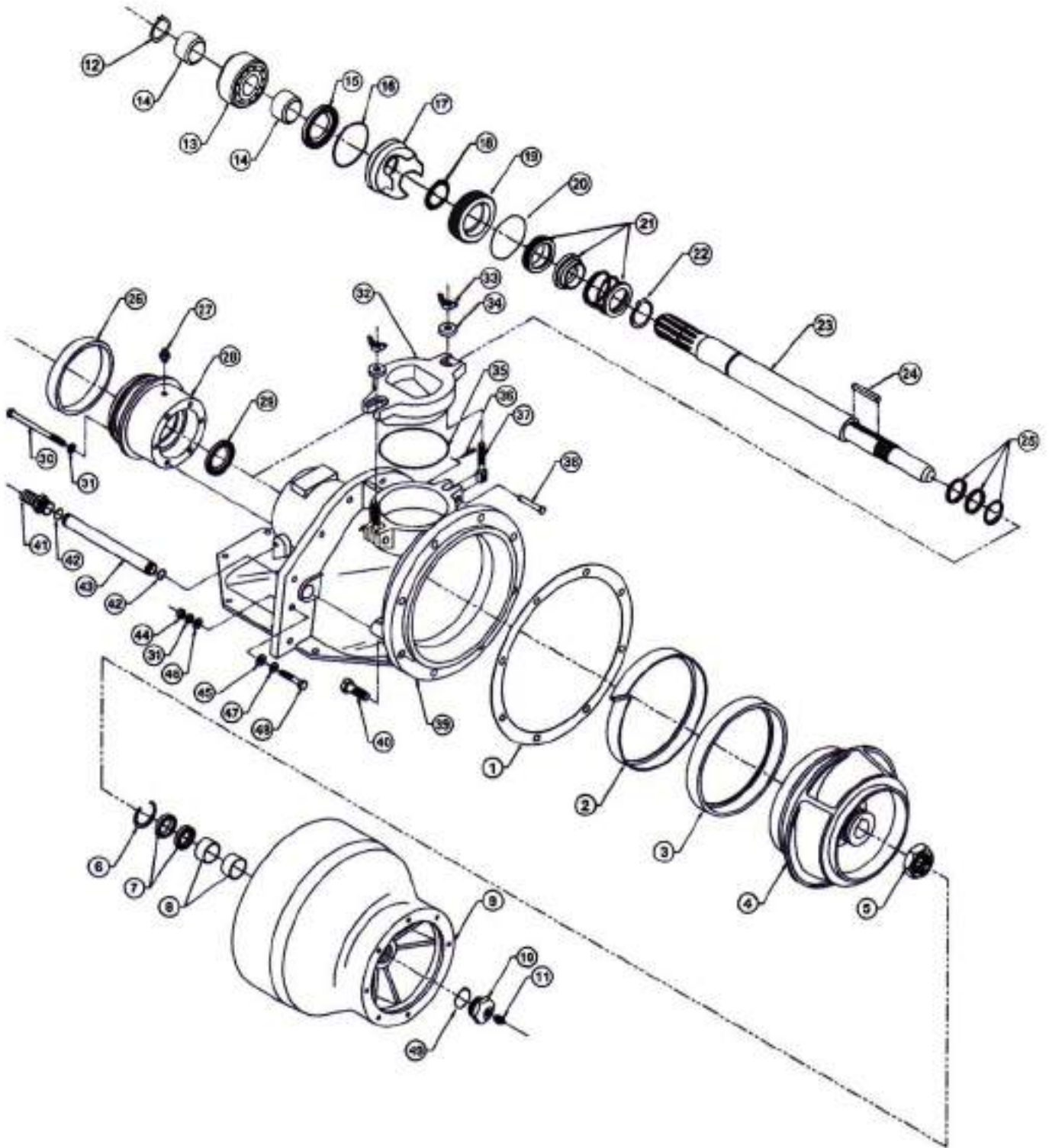


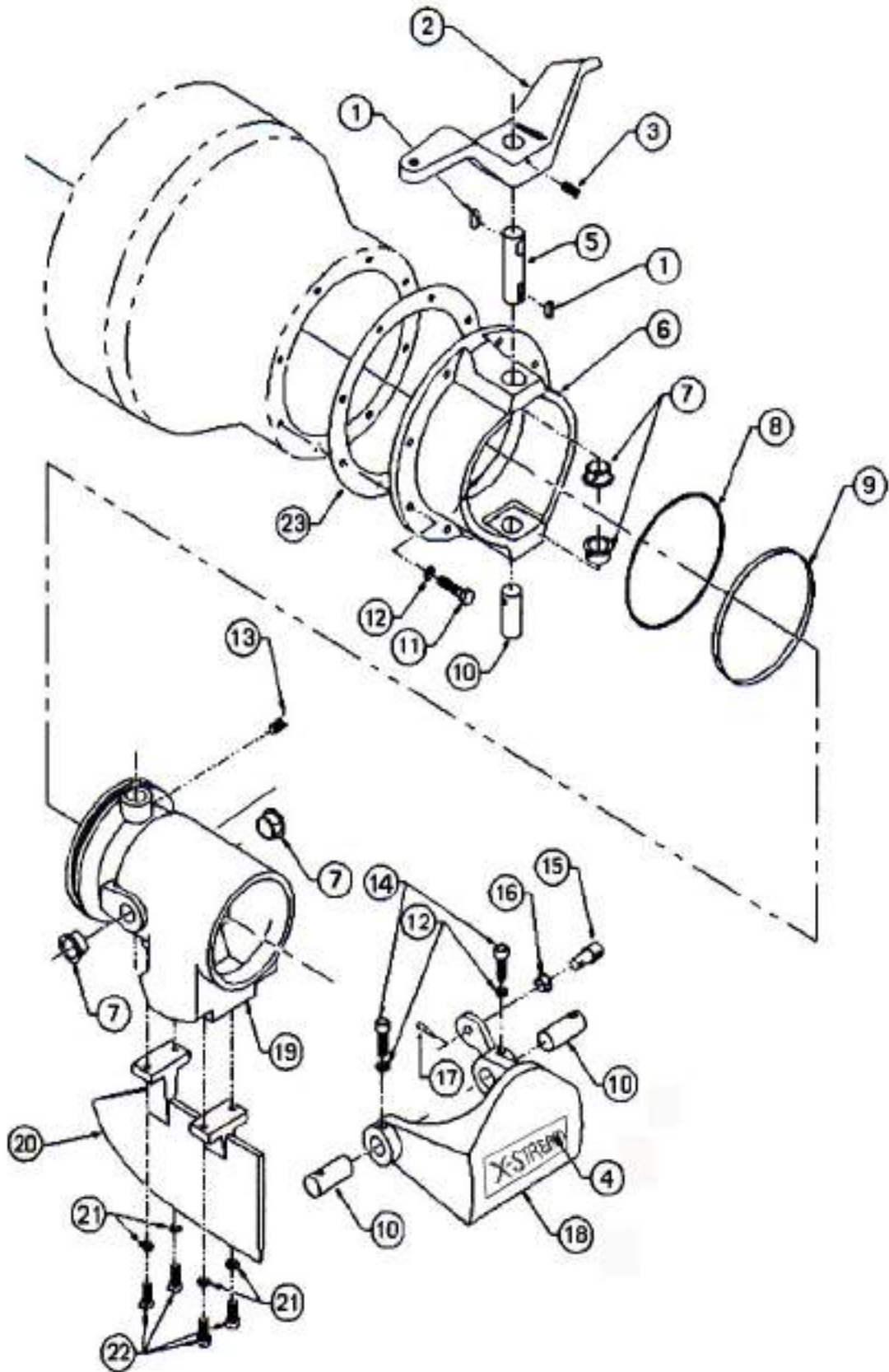
901M-01SD JET PUMP

ITEM	DESCRIPTION	QTY.	PART#
1	BOWL GASKET	1	904018
2	WEAR RING LINER	1	904056Z
3	WEAR RING ASSY.	1	904056
4	IMPELLER	1	901923*
5	IMPELLER LOCK NUT	1	904739
6	SNAP RING: BOWL	1	904753
7	SEAL: BOWL	2	904789
8	BEARING: BOWL	2	904816
9	BOWL	1	901011
10	BOWL: CAP	1	901044
11	GREASE FITTING	1	904208
12	SNAP RING: BEARING	1	904246
13	THRUST BEARING	1	904361
14	SPACER: BEARING	2	904272
15	SEAL: GREASE	1	904309
16	O-RING	1	904397
17	BEARING LOCATOR	1	904424
18	SLINGER	1	904450
19	SEALFACE HOUSING	1	904486
20	O-RING: INTAKE HSG.	1	904513
21	CARBON SEAL ASSM.	1	904549
22	SNAP RING: SHAFT	1	904575
23	MAIN PUMP SHAFT	1	900999
24	IMPELLER KEY---1/4"x 2"	1	904715
25	SHIMS: IMPELLER	1-3	1228**
26	ENGINE MOUNT RING	1	904171
27	GREASE FITTING	1	904208
28	BEARING HOUSING	1	901022
29	SEAL: GREASE	1	904309
30	BOLT: 5/16 NC X4-1/2 SS	8	BS00554
31	5/16 LOCK WASHER	8	WSL0005
32	HAND HOLD COVER	1	901033
33	3/8 NC WING NUT SS	2	905159
34	WASHER 3/8X.105 THK.	4	W0F0390
35	O-RING: HAND HOLE	1	905109
36	COTTER PIN 1/8X3/4 SS	2	904602
37	3/8 NC LATCH BOLT SS	2	905197
38	CLEVIS PIN SS	2	905173
39	SUCTION HOUSING	1	901000
40	BOLT: 1/2 NC X 1-1/2 SS	8	BS00-884
41	FITTING 3/4 X 3/4 H STR.	1	206068
42	O-RING: WATER TUBE	2	904880
43	WATER TUBE	1	904029
44	5/16 LOCK NUT	10	NSL0005
45	BUSHING: BOLT SEAL	10	920668
46	NYLON WASHER 5/16	10	002030
47	5/16 FLAT WASHER SS	10	WSF0005
48	BOLT: 5/16 NC X1-1/2 SS	10	BS00524
49	O-RING: BOWL CAP	1	904842

901M-SD JET PUMP



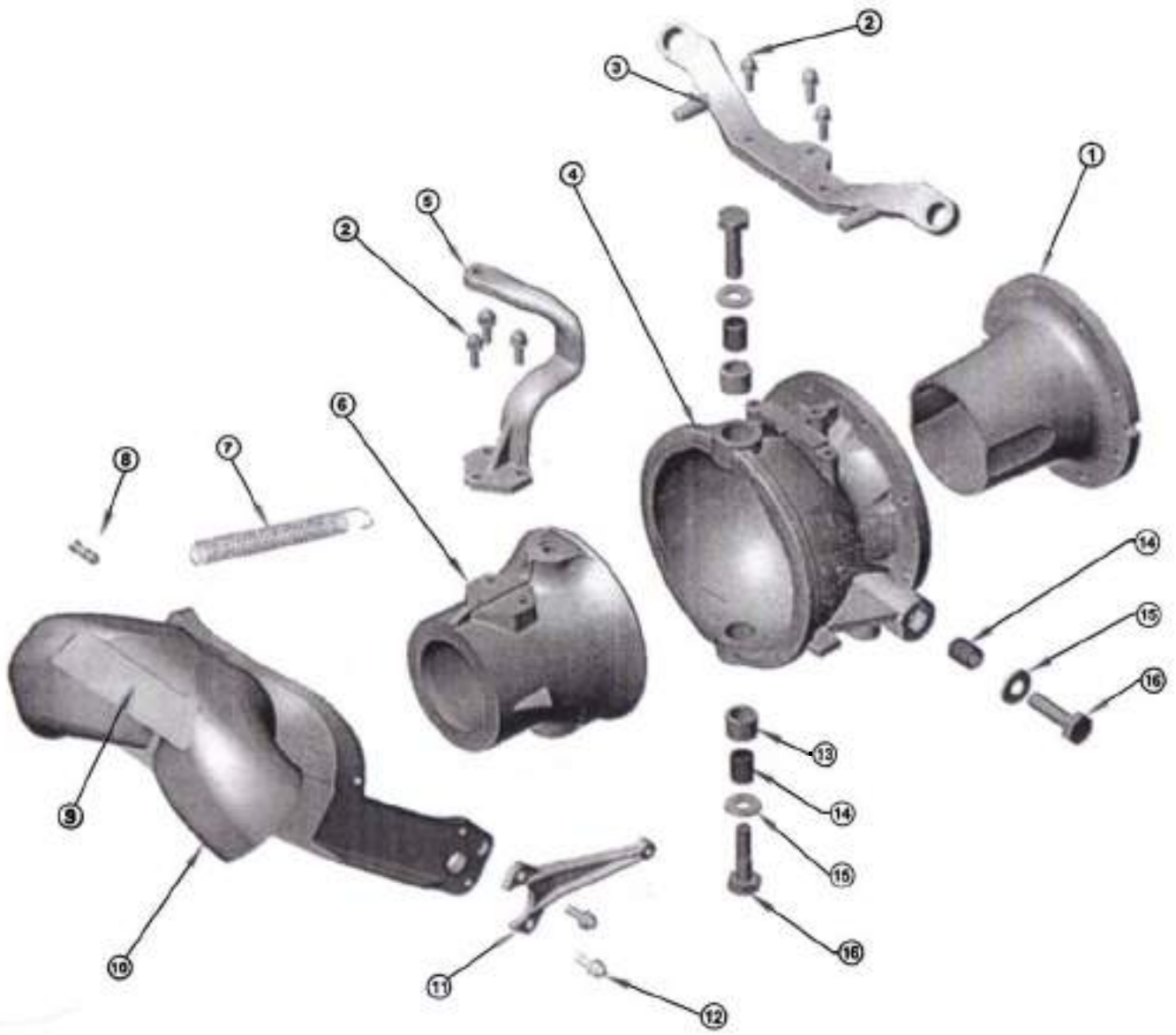
901M-SD STANDARD NOZZLE



JMF 901100 STANDARD NOZZLE

ITEM	DESCRIPTION	QTY.	PART NO.
1	WOODRUFF KEY #9---3/16" X 3/4"	2	906113
2	TILLER ARM	1	901088
3	SET SCREW: 5/16"-18 X 1/2"-SS	1	***
4	X-STREAM DECAL	1	101410
5	TILLER PIN	1	906012
6	NOZZLE HOUSING	1	901077
7	NYLINER BEARING 3/4"	4	906240
8	TEFLON: O-RING (352)	1	906252
9	RUBBER BAN (OPITIONAL	1	***
10	LOWER NOZZLE PIN & BUCKET PIVOT PIN	3	906050
11	BOLT: 5/16"-18 X 1." SS	8	BS00-520
12	LOCK WASHER: 5/16"	10	WSL0-005
13	SET SCREW: 5/16"-18 X 1/2"-SS	1	***
14	BOLT: 5/16"-18 X 1" SHCS-SS	2	BS00-516
15	PIVOT, REVERSE CABLE	1	906098
16	NYLINER: 3/8"	1	906214
17	COTTER PIN	1	904602
18	STANDARD REVERSE BUCKET	1	901055
19	STANDARD NOZZLE	1	901066
20	RUDDER	1	901099
21	LOCK WASHER: 1/4"	4	WSL0-004
22	BOLT: 1/4"-20 X 3/4" SHCS-SS	4	***
23	NOZZLE HOUSING GASKET	1	904157
**	STANDARD STEERING EXTENSION (SHORT)	1	907026

HIGH THRUST NOZZLE



JMF 901300 HIGH THRUST NOZZLE

ITEM	DESCRIPTION	QTY.	PART NO.
1	INNER CONE	1	901391
2	BOLT 5/16"NC X 1" & 5/16" LOCK WASHER SS	6 each	BS00-516
3	REVERSE CABLE MOUNT	1	901341
4	NOZZLE HOLDER HOUSING	1	901377
5	STANDARD TILLER ARM	1	901389
6	HIGH TRRUST NOZZLE	1	901365
7	SPRING	1	907002
8	BOLT 1/4 "NC X 1" W/1/4"NUT &1/4"LOCK NUT	1each	BS00-416
9	X-STREAM DECAL	1	101410
10	HIGH THRUST REVERSE BUCKET	1	901353
11	REVERSE ARM	1	901339
12	BOLT 5/16" NC X 3/4" W/ LOCK WASHER SS	2each	BS00-512
13	PLASTIC BUSHING (STEERING PIVOT)	2	210018
14	BUSHING SS	4	210006
15	WASHER 1/2" SAE SS RETAINER	4	WSF0-008
16	BOLT 1/2" NC X 1-1/2 SS	4	BS00-884
**	REVERSE CABLE 3/8" PIVOT PIN	1	906098
**	3/8" NYLINER FOR REVERSE CABLE PIVOT	1	906214
**	COTTER PIN FOR REVERSE CABLE PIVOT	1	904602
**	HIGH THRUST STEERING EXTENSION (LONG)	1	907014

901M SPLASHWELL KIT #901400

QTY.	DESCRIPTION	PART #
1	DET-MAR KIT	901403
1	3/8"-24 ROD END—SSM6T	905515
1	7/8" BLACK NUT W/ GREASE FITTING	905553
1	BLACK TRANSOM SEAL FITTING	905604
1	BOLT: 3/8"-16 X 1"-1/2" SS	BS00-624
1	LOCK NUT: 3/8"	NSL0-006