



3.0L
(181 CID)
PARTS
MANUAL

17506 Marine Power Industrial Park
Ponchatoula, LA 70454
Parts Direct Line: (985) 386-2081
Parts Direct Fax: (504) 386-0076

TL30L-0600

HOW TO USE THIS BOOK

This 181 CID 3.0 LITER Parts Book has been designed to assist our distributors, dealers and customers in locating the correct replacement part for their Marine Power engine. This manual is sorted in specific groups for easy reference. Please refer to the Table of Contents, Alphabetical or Numerical Index to locate a particular Marine Power part.

This manual contains many commonly used parts for the 181 CID engine.

If the part you are looking for is not listed, please contact your nearest Marine Power distributor or dealer for further assistance.

Thank you for purchasing Marine Power products.

Happy Boating!

<i>Marine Power Engine Descriptions:</i>	Base	Base Engine or Long Block
	ParPac	Partial Package - Base Engine with Additional Equipment
	SportPac	Complete Inboard Engine
	EnPac	Complete Inboard/Outboard Engine
	JetPac	Complete Inboard Jet Engine

///MARINEPOWER™
The Force Behind The Fun.™

TABLE OF CONTENTS

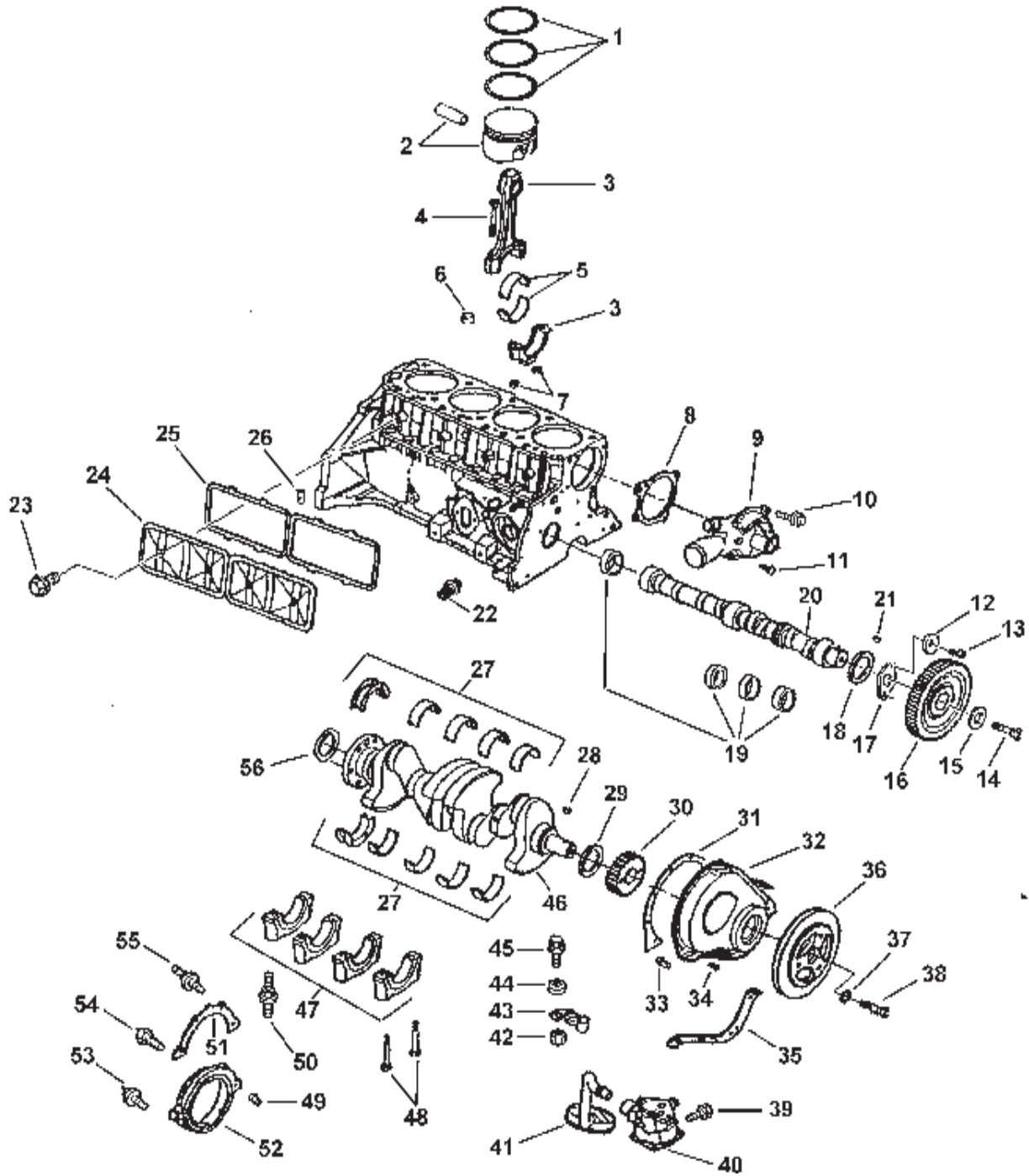
BASIC ENGINE BLOCK - INTERNAL / LOWER END	1-2
BASIC ENGINE BLOCK - INTERNAL / UPPER END	3-4
FLYWHEEL, STARTER & DRIVE GROUP	5
- FLYWHEELS	
- STARTERS	
- BELLHOUSINGS	
- COUPLERS, DAMPER PLATES	
- DUST COVERS, DRIVE LINE	
LUBRICATION GROUP	6
- OIL PANS	
- DIPSTICK TUBE, DIPSTICK, ETC.	
- OIL FILTERS	
- OIL LINES & OIL BYPASS	
COOLING GROUP	7-10
- HOSES	
- THERMOSTAT HOUSINGS	
- FRESH WATER TANKS, BRACKETS	
- THERMOSTATS, RECOVERY BOTTLE	
- WATER PUMPS, BRACKETS, PULLIES, ACCESSORIES	
- SEAWATER PUMP & ACCESSORIES	
- RAW WATER & FRESH WATER FLOW DIAGRAMS	
- FITTINGS	
ELECTRICAL GROUP	11-17
- ALTERNATOR, BRACKETS, BELTS	
- DISTRIBUTOR, COIL, ELECTRICAL REPLACEMENT PARTS	
- SENDERS, SWITCHES, RELAYS	
- IGNITION WIRES, WIRE LEADS	
- HARNESSSES	
- INSTRUMENT PANEL, GAUGES	
- WIRING DIAGRAMS	
EXHAUST GROUP	18
- MANIFOLD, RISER, GASKETS	

TABLE OF CONTENTS
(Continued)

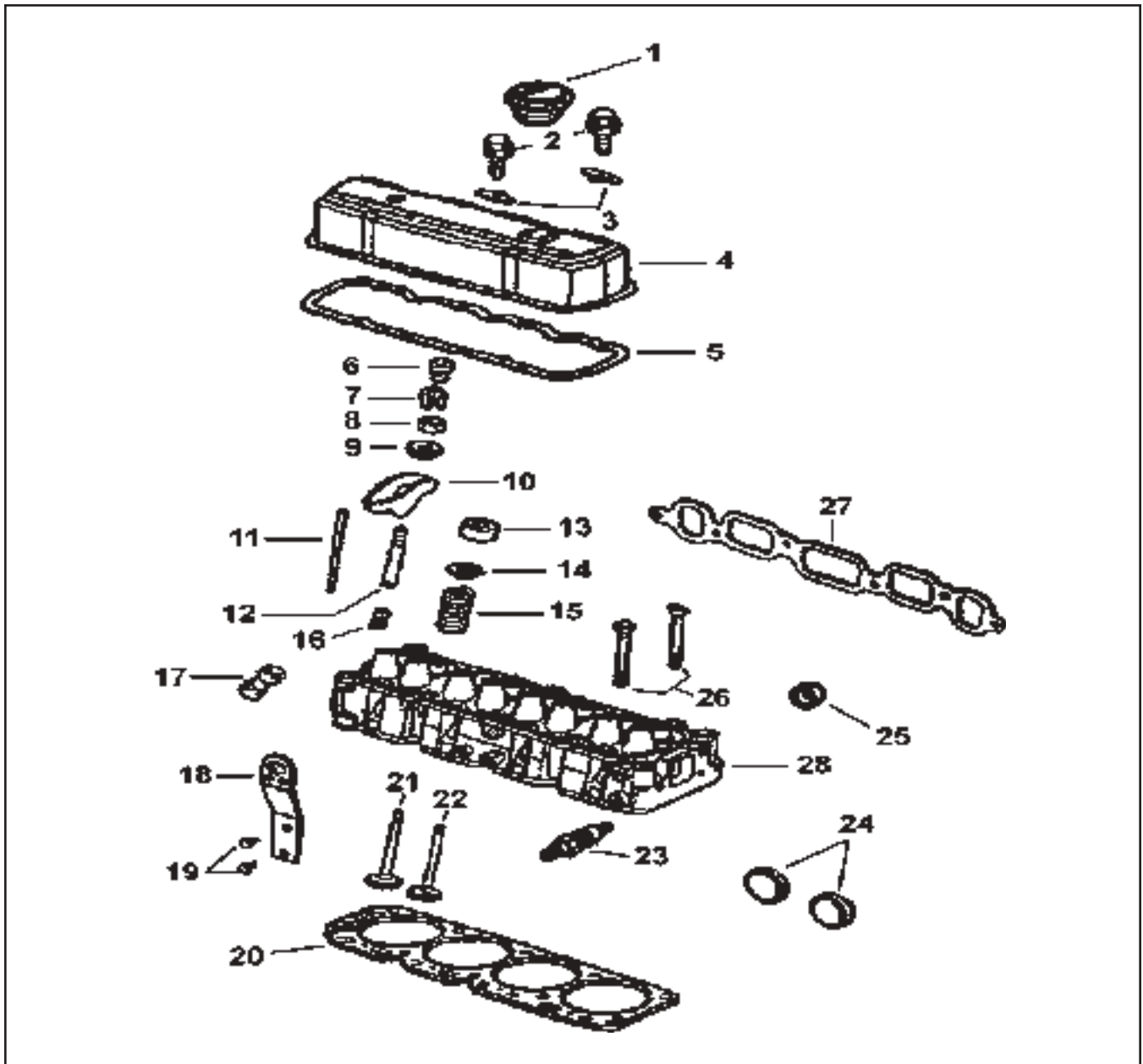
CARBURETION	19-20
<ul style="list-style-type: none"> - FUEL PUMPS, BRACKETS, FUEL/WATER SEPARATOR - HOLLEY CARBURETORS, FUEL LINES - GASKETS, BRACKETS - FLAME ARRESTORS - CONTROL CABLE CLIPS, MISCELLANEOUS - ELECTRIC FUEL PUMP KIT 	
EFI - THROTTLE BODY INJECTION	21-26
<ul style="list-style-type: none"> - THROTTLE BODY DIAGRAM, INTAKE MANIFOLD - FUEL LINES - GASKETS - BRACKETS - HARNESSES - FUEL PUMPS - SENSORS, SENDERS, ECM MODULES - FLAME ARRESTORS, WEATHER COVERS, FITTINGS, ETC. - MISCELLANEOUS 	
MOUNTING GROUP.....	27
<ul style="list-style-type: none"> - ENGINE MOUNTS - GEAR MOUNTS - ISOLATOR MOUNT, TRUNION PINS 	
TRANSMISSIONS	28-29
<ul style="list-style-type: none"> - VELVET DRIVE & HURTH TRANSMISSIONS - GEAR LINES, COOLERS, SHIFT BRACKETS 	
CATALOG ALPHABETICAL INDEX	30-34
CATALOG NUMERICAL INDEX	35-39

MARINE POWER	Direct Phone 985 - 386 - 2081
PARTS DEPARTMENT	Direct Fax 985 - 386 - 0076

PART #	DESCRIPTION	PART #	DESCRIPTION
0014-348	RING SET: PISTON 181/262/350	0004-094	KEY: CR/SHF SPROCKET 181/350/454
0025-037	PISTON: 181 W/PIN 91>	0025-005	SEAL: CR/SHF FRONT OIL 181/262/350
0014-037	PISTON: 181 W/PIN <90	0025-082	SPROCKET: CM/SHF 181 91>
0014-036	CONNECTING ROD: 181	0014-061	GASKET: TIMING COVER 181
0007-066	BOLT: CONN ROD 181/350 (PART OF #3)	0014-058	COVER: TIMING 181
0007-038	BEARING KIT: CONN ROD 181/350	0025-860	NOZZLE: CM/SHF GEAR LUBE 91>
0025-026	PLUG: OI GALLEY 181 91>	0007-958	BOLT: TIMING COVER 91>
0060-067	NUT: CONN ROD 181/454SP/7.4V	PART OF #32	REINFORCEMENT:
0314-650	GASKET: WATER PUMP 181 91>	0014-004	BALANCER: HARMONIC 181
0025-071	PUMP: CIRCULATING WATER 91>	0014-161	WASHER: FLYWHEEL LOCK 181
0025-923	BOLT: WATER PUMP 181	0053-002F3	BOLT: HARMONIC BALANCER 181/BB G5
0025-924	BOLT: WATER PUMP 181	0025-266	BOLT: OIL PUMP 91>
0004-093	WASHER: CM/SHF THRST BRG 181/454OR	0025-255	PUMP: OIL 181 91>
0053-05918	BOLT: CM/SHF THRST BRG 181/454	0014-272	SCREEN: OIL PUMP 181 REAR SUMP
0025-408	BOLT: CM/SHF SPROCKET 91-93	0025-270	SCREEN: OIL PUMP 181 FRNT/CTR SUMP
*B000-408	BOLT: CM/SHFT SPROCKET 94>	0053-915	NUT: OIL PUMP 181/BB



PART #	DESCRIPTION	PART #	DESCRIPTION
0025-102	CAP: OIL FILL 181 91>	0015-376	SPRING: VALVE 181
0025-107	BOLT: VALVE COVER 91-93	0007-178	SEAL: VALVE STEM OIL 181/350
0053-05918	BOLT: VALVE COVER 181 94> / 454	0007-097	LIFTER: VALVE 181/350
0014-105	REINFORCEMENT: VALVE COVER 181	0021-502	BRACKET: LIFT FRONT
0014-100	COVER: VALVE 181	0025-985	BOLT: LIFT BRACKET 91
0025-101	GASKET: VALVE COVER 91>	0025-025	GASKET: CYLINDER HEAD 181 91>
0007-379	ROTATOR: VALVE 181 91> / 350	0014-025	GASKET: CYLINDER HEAD 181 <90



NOTE: Engine Serial Number or GM Engine Block Number require to assure correct parts.

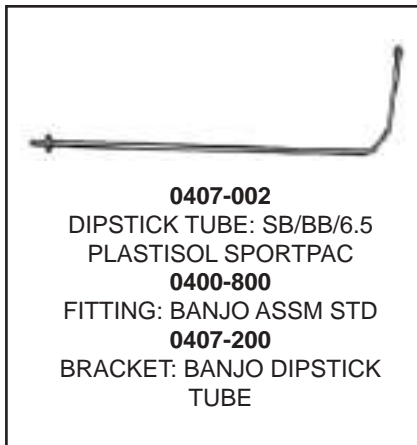
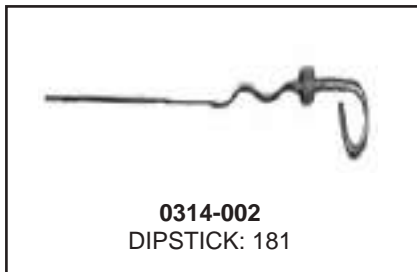
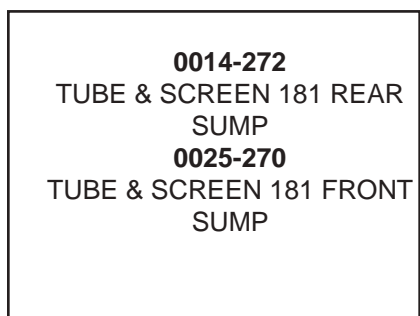
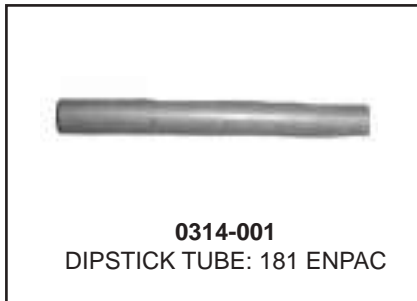
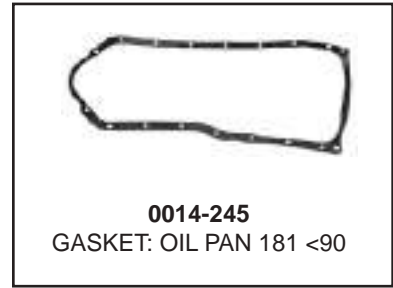
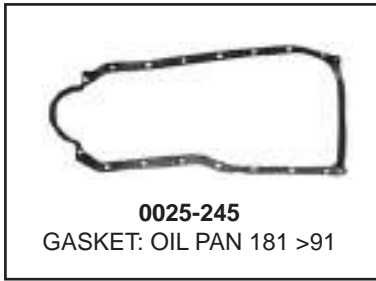
TO LOCATE ENGINE BLOCK NUMBER:





MISCELLANEOUS





BOLTS, WASHERS:
 *B000-412 BOLT: 1/4" x 3/4" NC
 *B000-512 BOLT: 5/16" X 3/4" NC
 *BS00-524 BOLT: 5/16" X 1-1/2" SS
 *W0L0-005 WASHER: LOCK 5/16"
FITTINGS:
 0000-876 PLUG: PIPE 1/8"
 0000-898 FITTING: BRASS 45D
 0000-872 FITTING: OIL BLOCK 181
 0910-800 FITTING: OIL LINE FEED

HOSES



1453-000
HOSE: CIRC PUMP RW



1459-002
HOSE: MANIFOLD INLET
181



1452-000F11
HOSE: CIRC PUMP
FW



1455-017G8
HOSE: UNIVERSAL EL
SB/BB



HWRF-016
HOSE: WRF 1"


HOUSINGS



0506-009F4
HOUSING: T-STAT
TANK MOUNT FWS SB



0214-000
HOUSING: T-STAT BASE 181



0214-001
HOUSING: T-STAT CAP 181 RW

THERMOSTATS



0500-007F6
THERMOSTAT: FW
160D



0214-002
THERMOSTAT: 181
RW 153D

GASKETS



0214-003
GASKET: T-STAT CAP
181



0214-004
GASKET: T-STAT ENG
181

COOLER



0440-001
COOLER: OIL
5" X 1-1/4"



0791-000
CLAMP: OIL COOLER 2"



0303-009
GASKET: T-STAT ENGINE
181

FRESH WATER COOLING TANK & BRACKETS



0503-20319
TANK: FW SIDE MOUNT 181
0509-104F6
BYPASS HOSE 3/8"



0503-014N4
BRACKET: FW TANK 181
FRONT



0503-015N4
BRACKET: FW TANK 181
REAR

PULLEYS & ADAPTER



0307-007
PULLEY: CIRC PUMP
181/SB/BB



0314-009
ADAPTER: CRANK
PULLEY 181



0307-028
PULLEY: CRANKSHAFT
2 GROOVE 181
(REQUIRES ADAPTER
#0314-009)



0673-000
PULLEY: SEAWATER PUMP
181


SEAWATER PUMP & ACCESSORIES



0564-000
PUMP: SEAWATER SIDE MOUNT 181
0572-001
BUSHING: SEAWATER PUMP



0576-000
BENCH: SEAWATER
PUMP 181 RW



0564-900
KEY: SEAWATER PUMP
181

MISCELLANEOUS

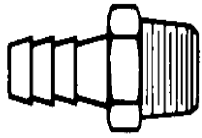


0509-101F4
BOTTLE: RECOVERY
W/BASKET



0509-102
BRACKET: RECOVERY
BOTTLE MOUNTING

FITTINGS



0000-800H7
FITTING: BRASS
STRAIGHT 3/4" X 1"



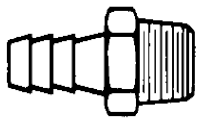
0000-815H7
FITTING: BRASS 90D
3/4" X 1"



0000-877
PLUG: PIPE 3/4"
ALUM



0000-878
PLUG: PIPE 3/8"



0000-808
FITTING: 1/2" X 5/8"



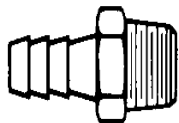
0000-876
PLUG: PIPE 1/8"



0000-887
FITTING: VENT TUBE



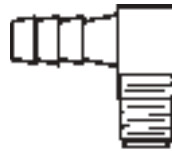
0000-898
FITTING: 1/8" X 45D
ELBOW



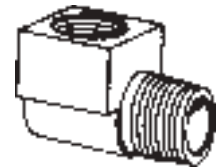
0000-887
FITTING: VENT TUBE



0000-881F9
FITTING: 1/4" X 5/16"
BRASS 90D



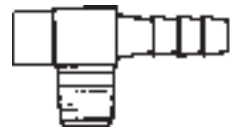
0720-851
FITTING: 1/4" X 3/8"



0000-882
FITTING: FUEL PUMP

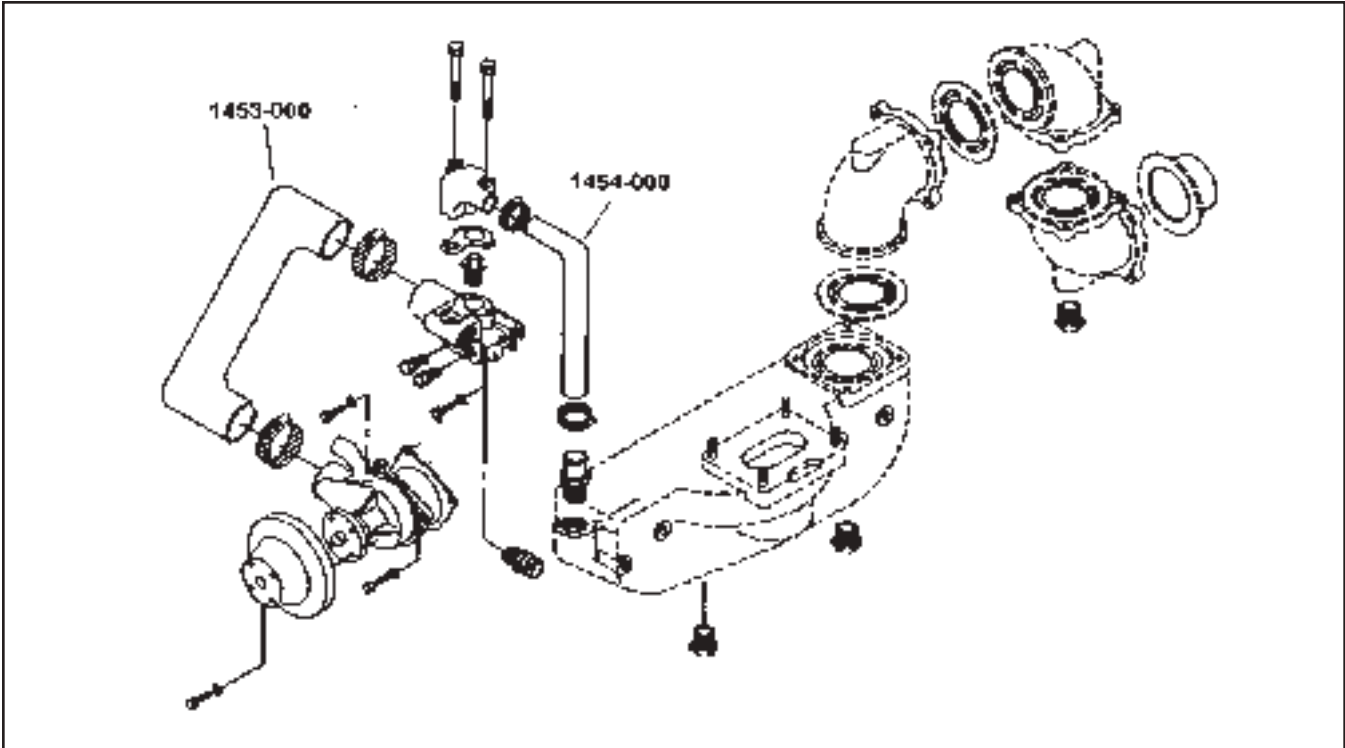


0000-893
PLUG: PIPE 1/4" HEX

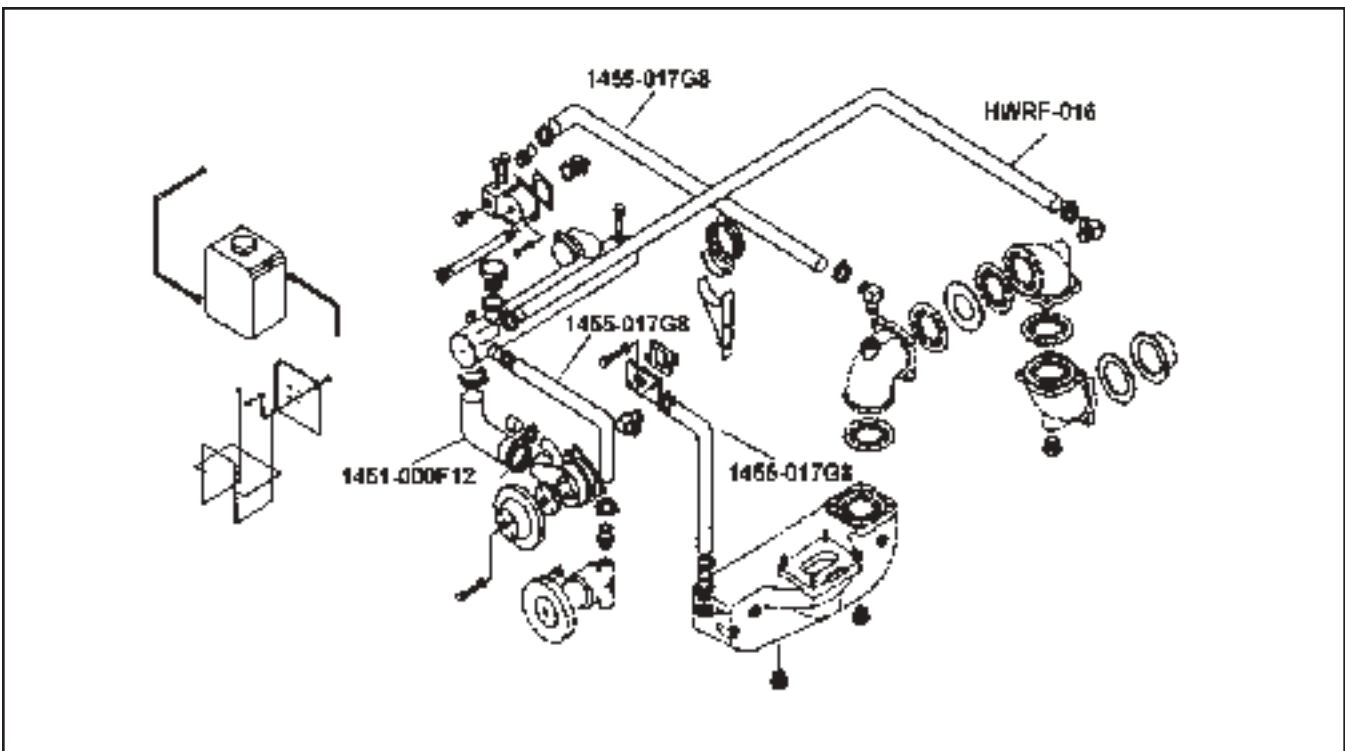


0720-455
FITTING: EFI RETURN

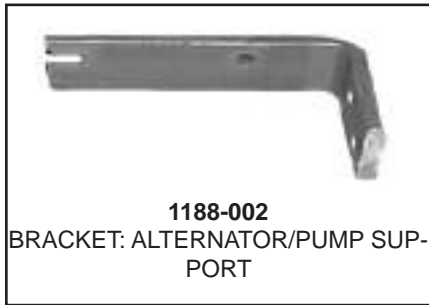
RAW WATER COOLING DIAGRAM



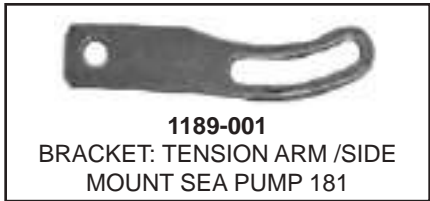
FRESH WATER COOLING DIAGRAM



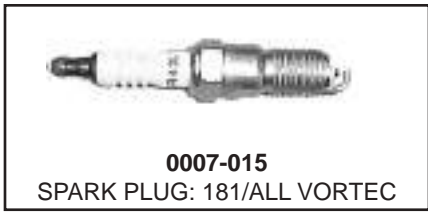
ALTERNATOR & ACCESSORIES



TOLL FREE PARTS LINE
1-877-388-9555
OR
1-504-386-3571
FAX: 504-386-0076
email: marinepower@i-55.com



DISTRIBUTOR - COILS - ETC



SENDERS - SWITCHES - RELAYS



0940-002
SENDER: OIL SINGLE
0940-102
SENDER: OIL DUAL



1140-102F5
RELAY: HARNESS
40 AMP



0940-201
SWITCH: WATER
TEMP 3/8"



0940-202
SWITCH: OIL
PRESS 1/8" 7PSI



0303-017F3
SWITCH: HOBBS
OIL /FUEL PUMP
CUT-OFF

IGNITION WIRES



1112-000
WIRE SET: IGNITION 181
YELLOW



PARTS DEPT PHONE
1-877-388-9555



0940-001
SENDER: WATER SINGLE 1/2"



0940-111
SENDER: WATER DUAL 3/8"



1140-004
CIRCUIT BREAKER:
IGNITION



6754-850N4
RELAY: ELEC
FUEL PUMP



1140-011N4
RELAY: STARTER
70 AMP
(>April 99)



1140-006
RELAY: STARTER OLD
STYLE
(< March 99)

WIRE LEADS



0811-020F8
WIRE LEAD: HOBBS OIL SWITCH



0811-018
WIRE LEAD: COIL TO DIST
+ FILTER



0811-016
WIRE LEAD: COIL TO HARNESS
(Purple & Gray Wires)



0811-019
WIRE LEAD: IGNITION SHIFT
INTERRUPT



9000-001
TOOL: TIMING



0811-027
WIRE LEAD SET:
ELECTRIC FUEL
PUMP



1110-001
CLIP: IGNITION WIRE



1110-903
BOLT: LOOM SS SB

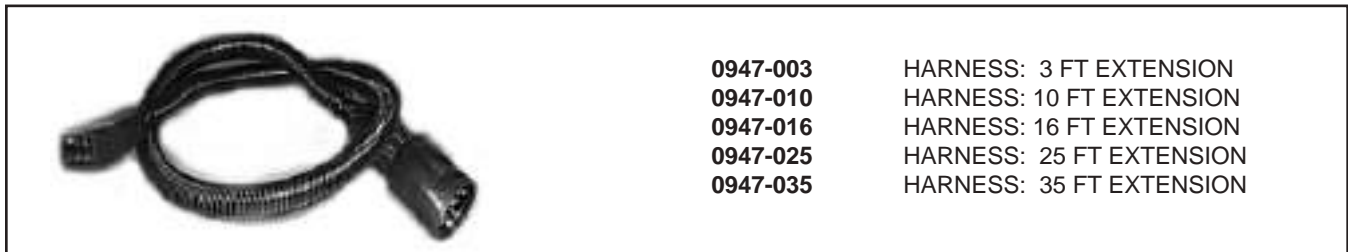
ENGINE HARNESES & EXTENSION HARNESES



1140-240N7
HARNESS: CARBURETED
3.0 - 8.2L



0792-000
CLAMP: HARNESS



0947-003 HARNESS: 3 FT EXTENSION
0947-010 HARNESS: 10 FT EXTENSION
0947-016 HARNESS: 16 FT EXTENSION
0947-025 HARNESS: 25 FT EXTENSION
0947-035 HARNESS: 35 FT EXTENSION

INSTRUMENT PANEL & GAUGES



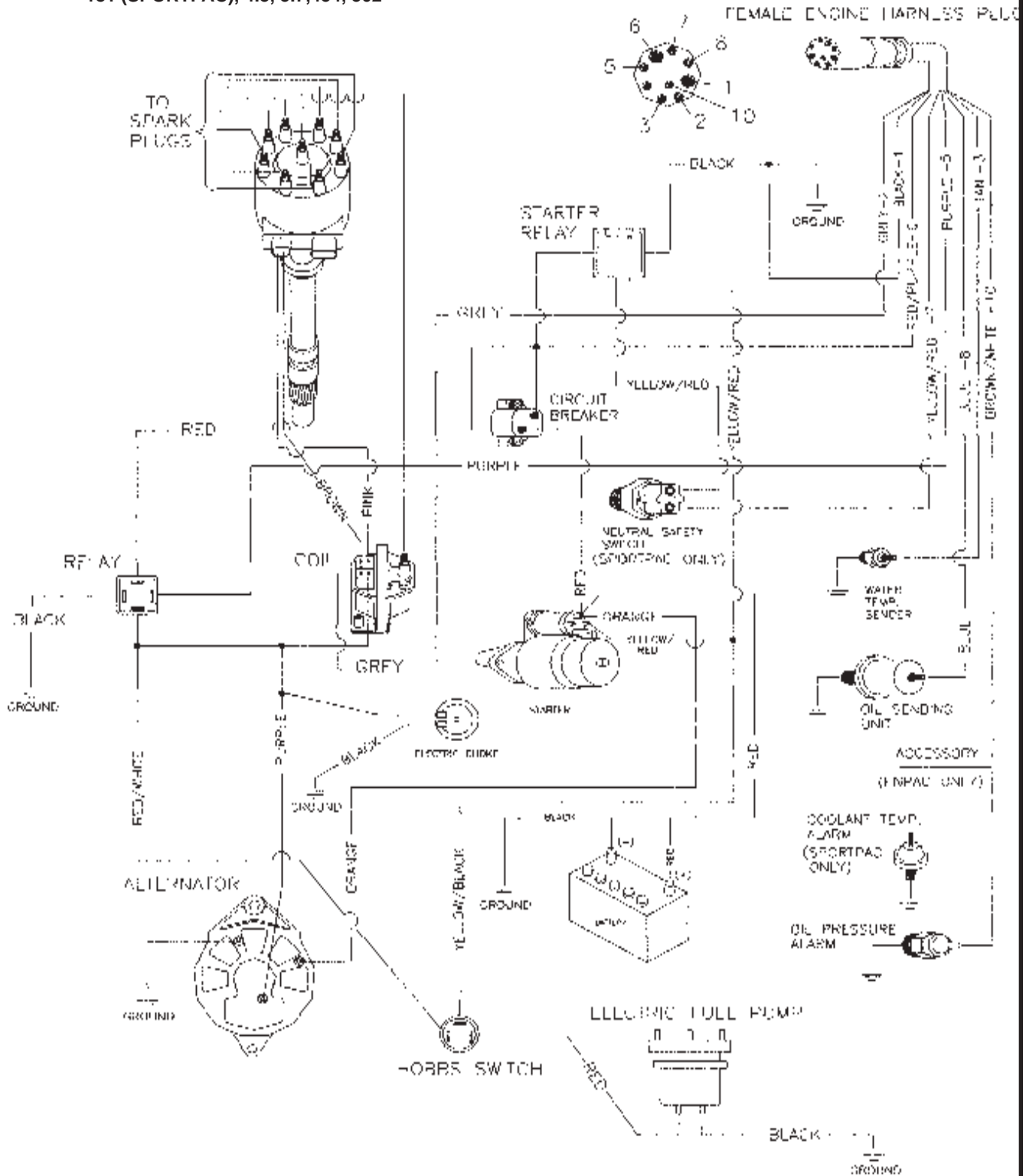
* Gauge Included With Panel

0945-000
PANEL: INSTRUMENT WITH GAUGES
0945-002 *
GAUGE: WATER TEMP
0945-003 *
GAUGE: VOLTMETER
0945-004 *
GAUGE: TACHOMETER GAS
0945-005 *
GAUGE: OIL PRESSURE
0945-015
GAUGE: FUEL
0945-476
GAUGE: HOUR METER

///MARINEPOWER™
The Force Behind The Fun.™

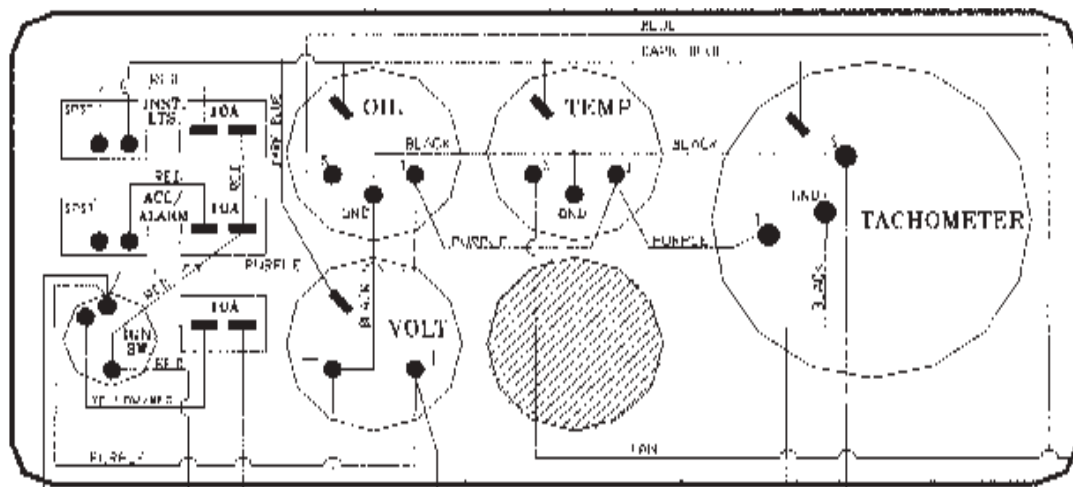
PRIMARY ENGINE HARNESS DIAGRAM

CARBURETED/ELECTRIC FUEL PUMP ENGINES
181 (SPORTPAC), 4.3, 5.7, 454, 502

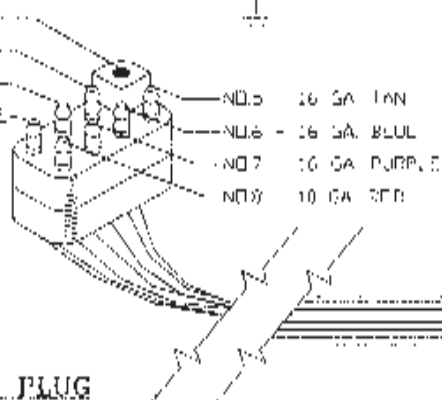


HARNESS PICTURED ON PAGE 13

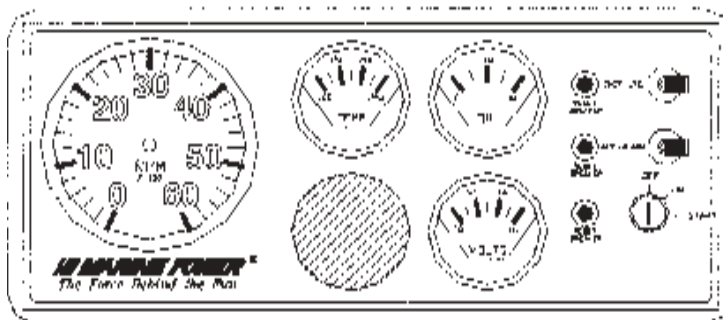
PANEL WIRING DIAGRAM



- NO.1 - 10 GA. BLACK
- NO.2 - 16 GA. GREY
- NO.3 - 14 GA. YELLOW/RED
- NO.4 - 10 GA. BROWN/WHITE



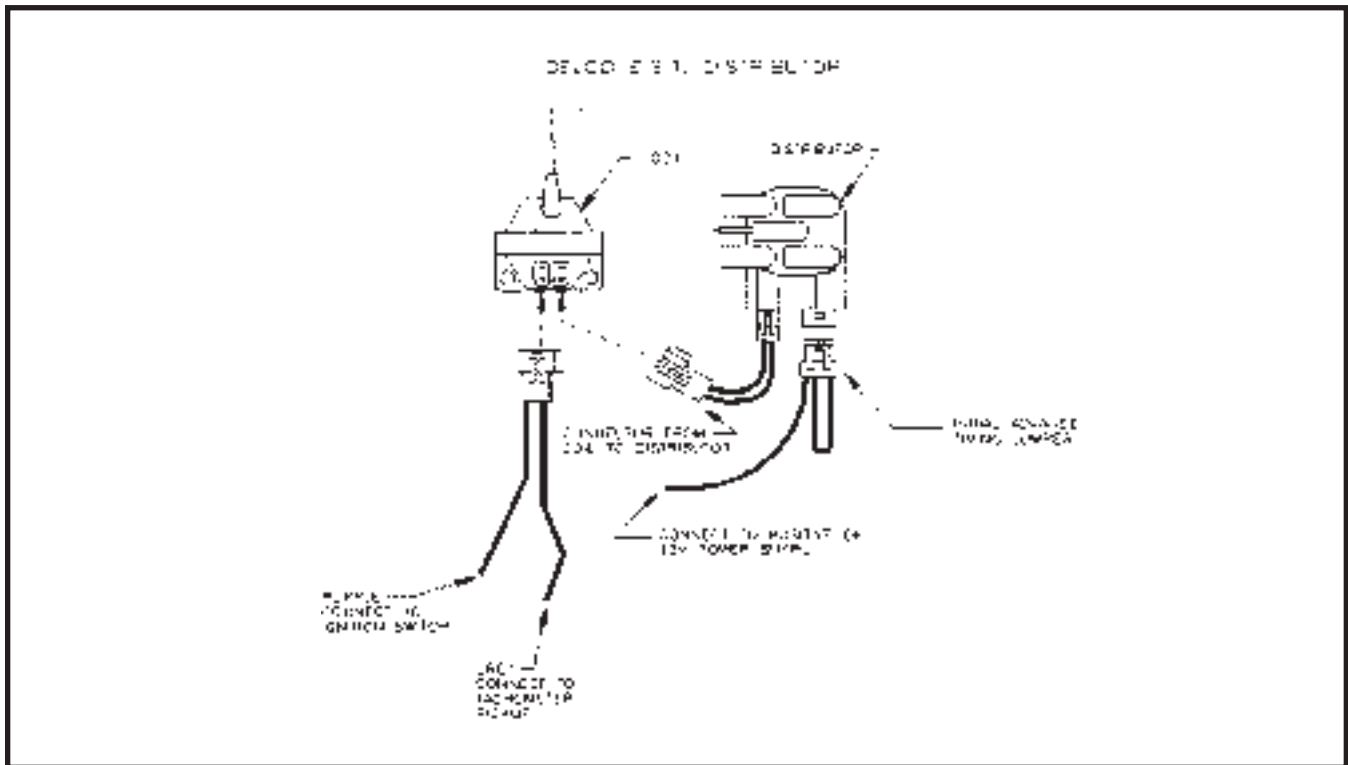
8X MOLDED MALE PLUG
7 PINS AND 1 SOCKET



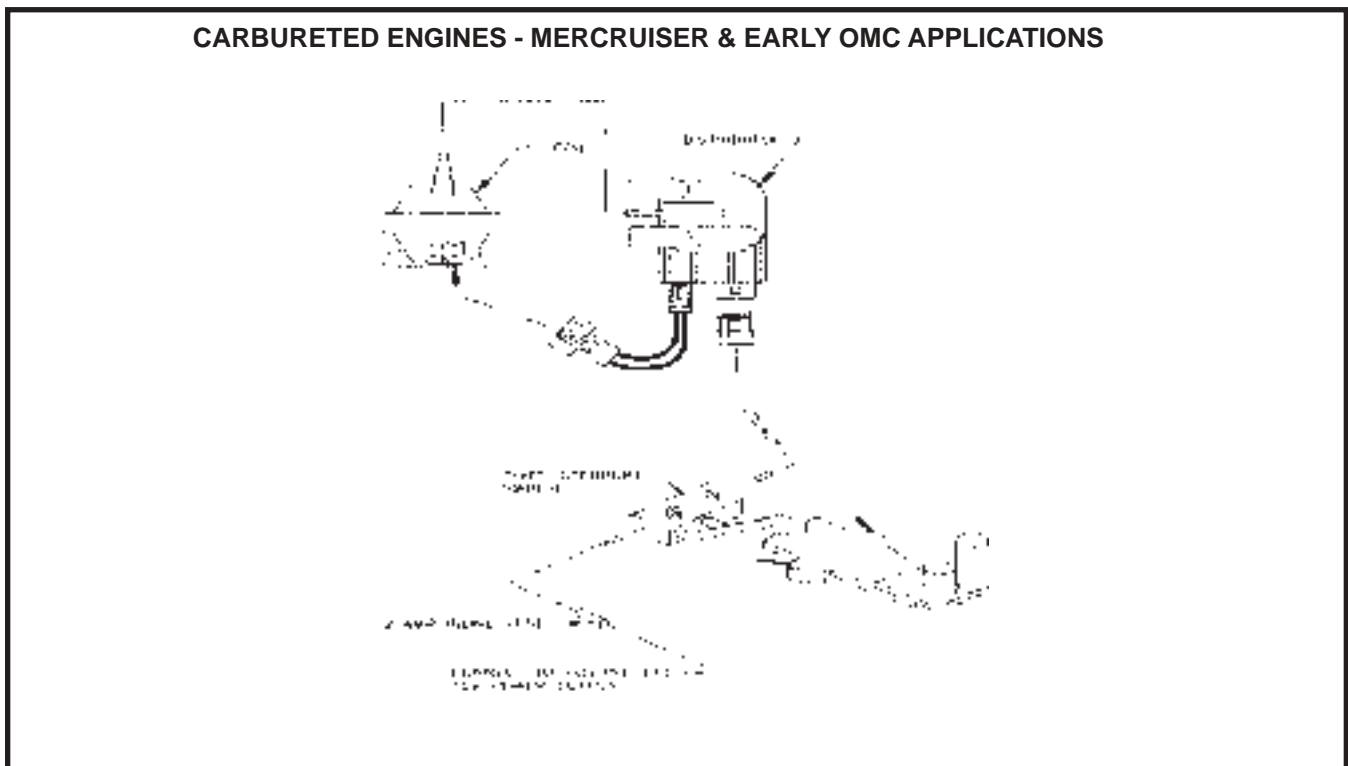
- 16 GA. TAN TEMPERATURE SENDER
- 16 GA. BLUE OIL SENDER
- 16 GA. PURPLE IGNITION
- 10 GA. RED BATTERY POSITIVE
- 10 GA. BLACK GROUND
- 16 GA. GREY TACHOMETER SENDER
- 14 GA. YELLOW/RED STARTER SOLENOID
- 16 GA. BROWN/WHITE ACCESSORY

PARTS LISTED ON PAGE 13

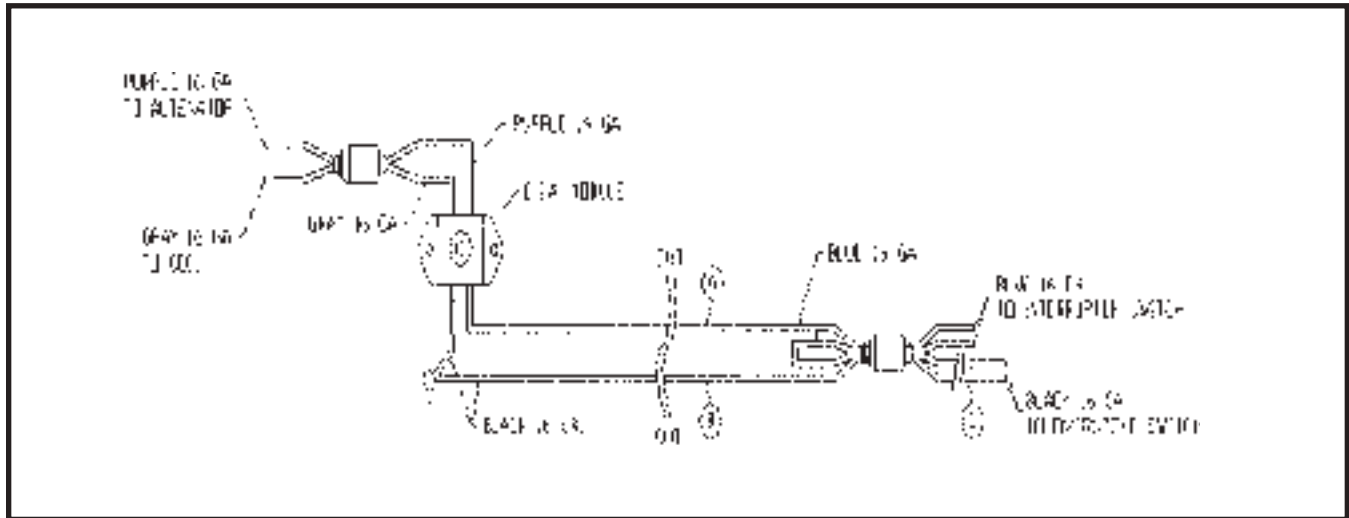
INITIAL TIMING JUMPER WIRING DIAGRAM



SHIFT ASSIST WIRING DIAGRAM

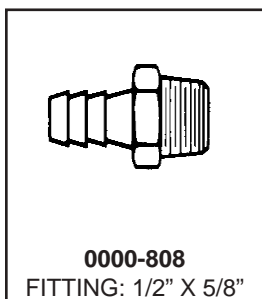
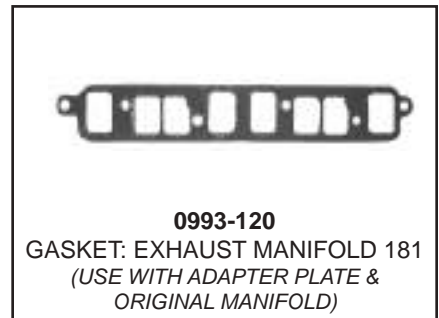
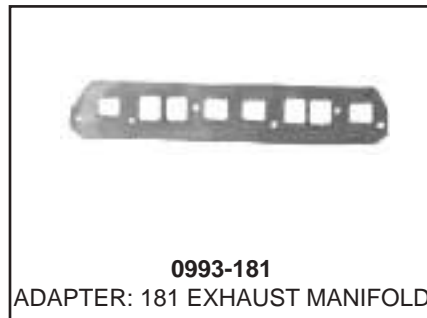
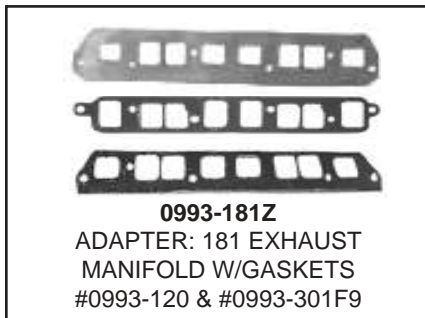
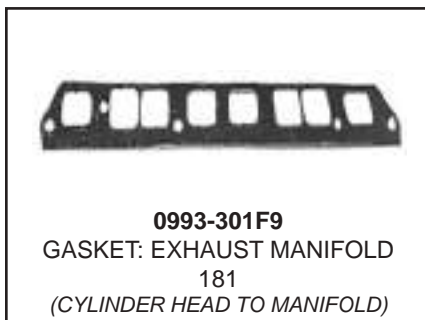


OMC SHIFT INTERRUPT DIAGRAM



Installation Instructions:

1. Cut the blue 16 gauge wire (A) and connect to 12V positive supply when ignition switch is in the "ON" position with 2 amp in-line fuse.
2. Cut the black 16 gauge wire (B) and connect the shift interrupt wire on the engine. (Refer to Shift Cutout Wiring Diagram.)
3. Cut the black 16 gauge wire (C). The overstroke switch and the E.S.A. module are no longer used.



BOLTS/WASHERS:

- *B000-624 BOLT: 3/8" X 1-1/2" NC
- *B000-688 BOLT: 3/8" X 5-1/2" NC
- *BS00-520 BOLT: 5/16" X -1/4" NC SS
- *NSL0-005 NUT: 5/16" SELF LOCK SS
- *W0F0-005 WASHER: FLAT 5/16" STL
- *WSF0-005 WASHER: FLAT 5/16" SS



0703-300
 CARBURETOR: 181
 HOLLEY 300CFM 2BBL
0730-320
 KIT: CARB REBUILD 181 300CFM



0430-004
 FUEL LINE: SEPARATOR
 TO ELECTRIC FUEL
 PUMP



0434-000G9
 FUEL LINE: 3.0L FEED
 300 CFM



0703-101
 GASKET: CARB 181 HOL-
 LEY



0703-103F4
 WEDGE PLATE: 181



0434-000N11
 FUEL LINE: FUEL PUMP
 TO CARB 181 ENPAC



1450-100
 HOSE: VENT TUBE



0951-200G2
 FLAME ARRESTOR:
 181/262/350 CARB



0432-048
 BASE: FUEL/WATER
 SEPARATOR FILTER



0432-049
 FILTER: FUEL/WATER
 SEPARATOR



0303-016F1
 PUMP: ELECTRIC FUEL
0303-018F4
 KIT: MOUNTING ELEC
 FUEL PUMP



0314-016F8
 PUMP: FUEL 181
 MECHANICAL ENPAC



0725-200
 BRACKET: FUEL/WATER SEPARATOR SUPPORT 181



1150-181
 BRACKET: ELECTRONIC COMPONENT 181



0309-023
 GASKET: FUEL PUMP
 181/V6/V8/6.5



0307-006
 GROMMET: VALVE COVER

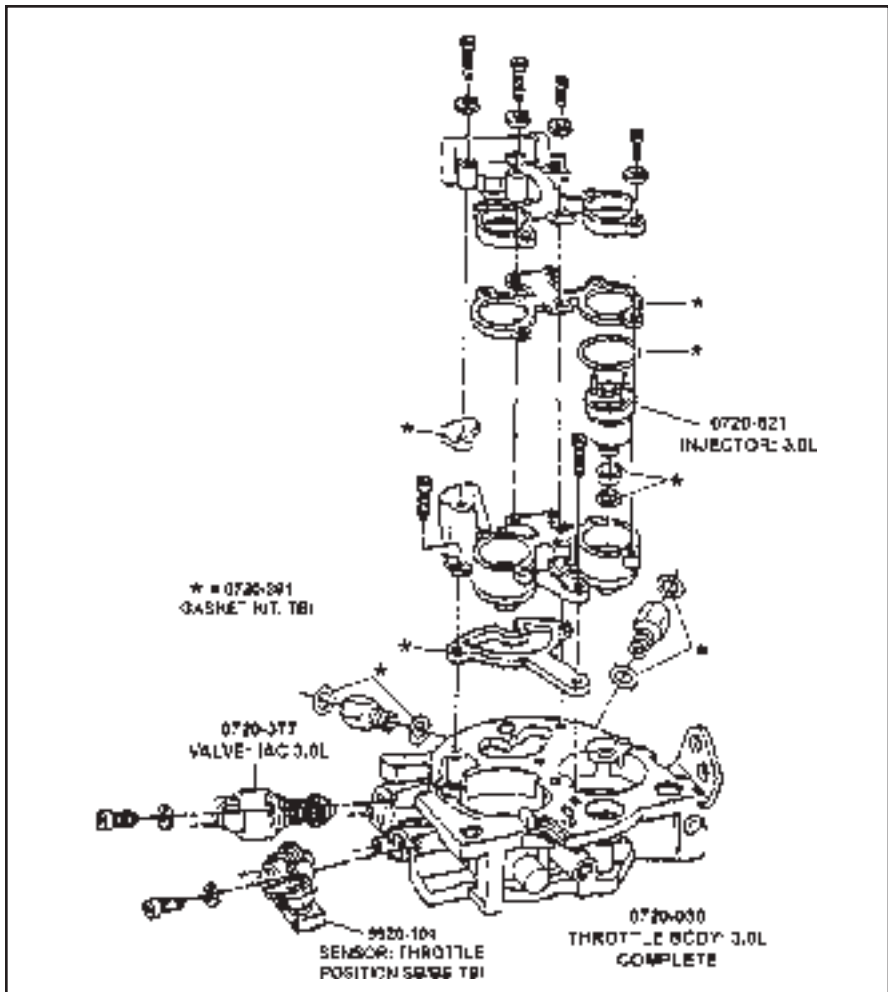
LIFT BRACKETS



MISCELLANEOUS



THROTTLE BODY



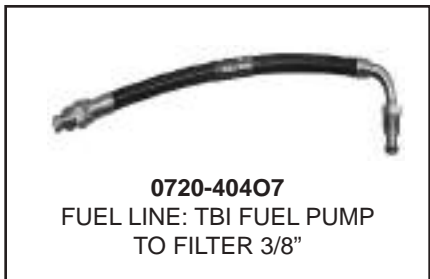
FUEL LINES



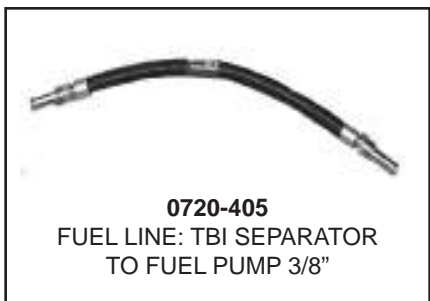
0720-40219
FUEL LINE: TBI RETURN 5/16"



0720-40307
FUEL LINE: TBI FEED 3/8"



0720-40407
FUEL LINE: TBI FUEL PUMP TO FILTER 3/8"



0720-405
FUEL LINE: TBI SEPARATOR TO FUEL PUMP 3/8"

GASKETS



0720-651
GASKET: TBI 51MM BORE



0703-101
GASKET: CARB HOLLEY 1/8"

FUEL PUMPS



0303-016F1
PUMP: ELECTRIC FUEL



0720-016
PUMP: FUEL EFI

TBI INJECTOR



0720-521
INJECTOR: 3.0L TBI

HARNESSES



1140-334P8
HARNESSES: PRIMARY
ENGINE EFI



0806-824N5
HARNESSES: TBI

BRACKETS



0720-220
BRACKETS: MAP SENSOR
EFI



0720-279I9
BRACKETS: THROTTLE TBI

SENSORS, SENDERS ETC.



0806-010F12
SENDERS: TEMP EFI



0720-285
BRACKETS: ECM EFI



0806-020F12
SENSORS: MAP ALL EFI
0720-420
HOSE: TBI MAP VACUUM
3/8" X 6-1/2"



0720-216
BRACKETS: EFI
FUEL PUMP "B"



0806-003
SENSORS: KNOCK 3.0L
TBI



0720-278N5
BRACKETS: EFI
FUEL PUMP "A"



0806-013
MODULES: KNOCK 3.0L
TBI



0806-599
MODULES: ECM EFI
#2 MEFI 1

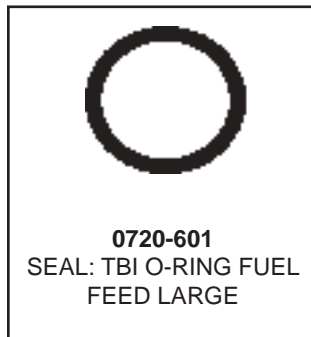


0720-000
FLAME ARRESTOR: 8" TBI

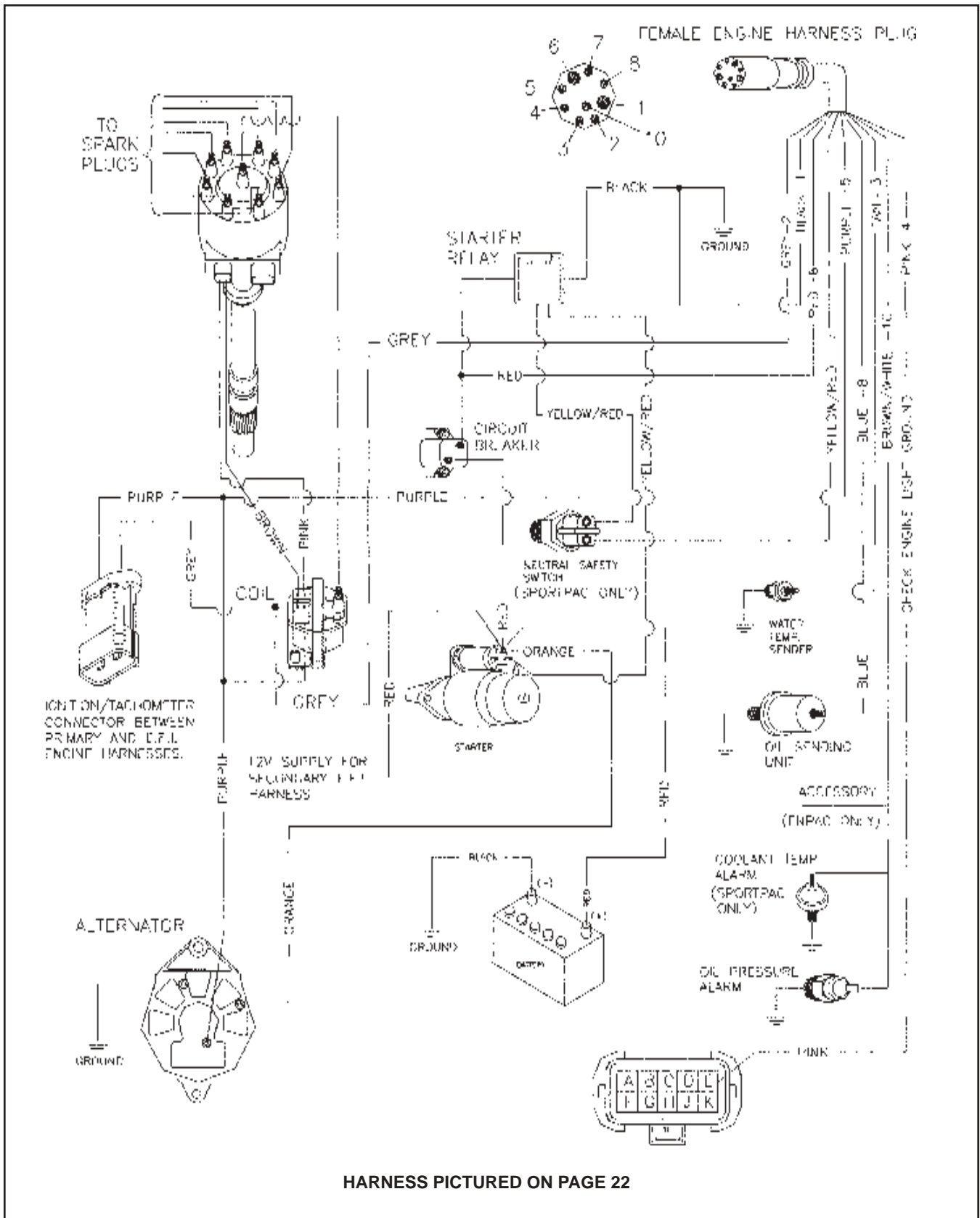
MISCELLANEOUS



SEALS

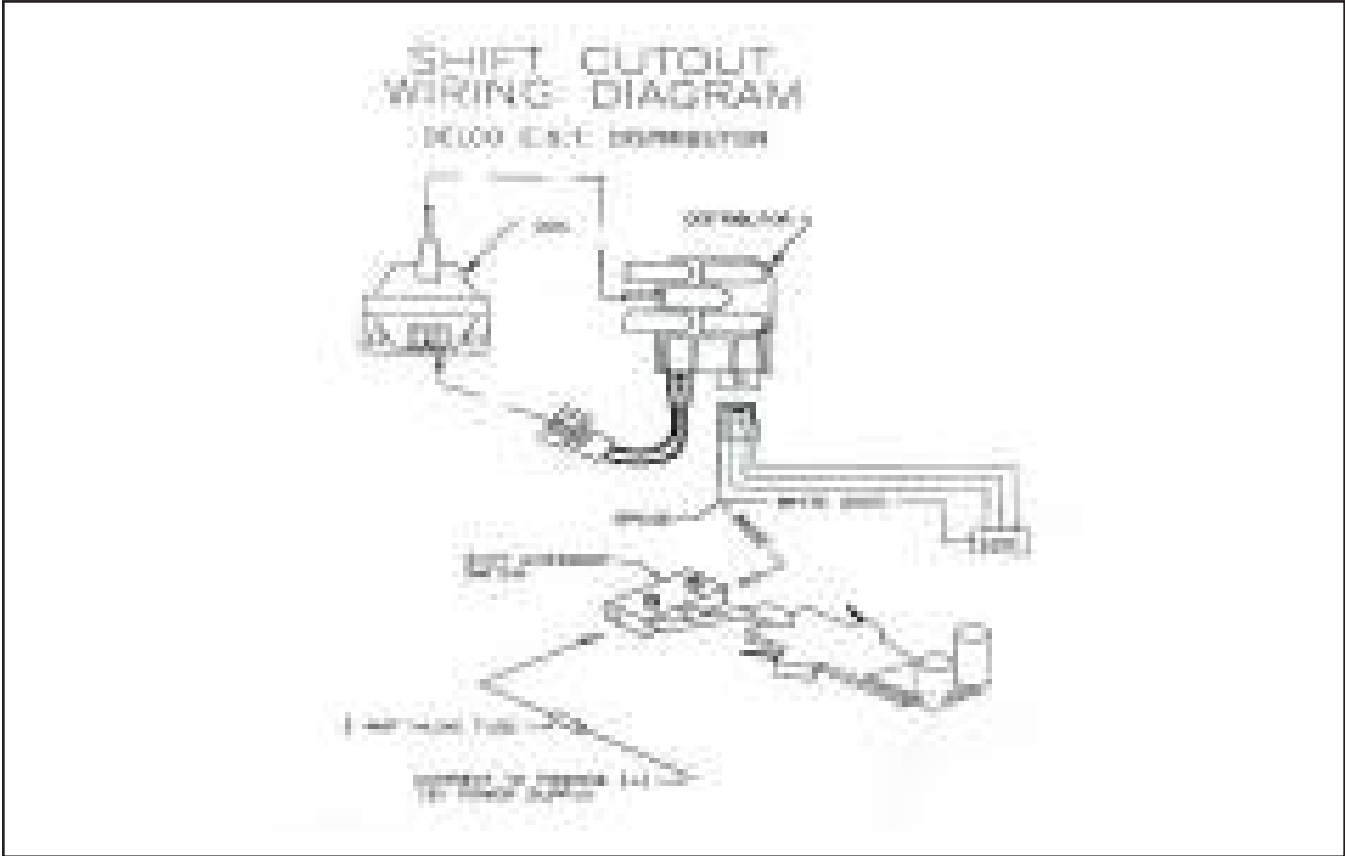


EFI PRIMARY WIRING HARNESS



HARNESS PICTURED ON PAGE 22

SHIFT INTERRUPT DIAGRAM



ENGINE MOUNT



GEAR MOUNTS



**NOTE: THE GEAR MOUNTS LISTED ARE MOUNTS CURRENTLY IN USE.
PLEASE CALL FOR PRICING AND AVAILABILITY ON PREVIOUSLY USED MOUNTS.**

MISCELLANEOUS



TRANSMISSIONS

VELVET DRIVE DIRECT DRIVE



6017-004
GEAR: 71C 1:1
6018-002
GEAR: 72C 1:1

VELVET DRIVE 72C SERIES



6018-004
GEAR: 72C 1.5:1
6018-106
GEAR: 72C 1.88:1
6018-210
GEAR: 72C 2.1:1
6018-010
GEAR: 72C 2.5:1
6018-012
GEAR: 72C 2.9:1

VELVET DRIVE 5000V V-DRIVE SERIES



6002-002
GEAR: 5000V 1.25:1
6002-003
GEAR: 5000V 1.5:1
6002-004
GEAR: 5000V 2.0:1
6022-005
GEAR: 5000V 2.5:1

VELVET DRIVE 5000C SERIES



6020-001
GEAR: 5000C 1:1
6020-002
GEAR: 5000C 1.25:1
6020-003
GEAR: 5000C 1.5:1
6020-004
GEAR: 5000C 2.0:1
6020-005
GEAR: 5000C 2.5:1
6020-006
GEAR: 5000C 2.8:1

VELVET DRIVE 72C V-DRIVE SERIES



6005-012
GEAR: 72C V-DRIVE 1.2:1
GEAR DRIVEN
6005-013
GEAR: 72C V-DRIVE 1.2:1
CHAIN DRIVEN
6005-010
GEAR: 72C V-DRIVE 1.5:1
CHAIN DRIVEN
6005-011
GEAR: 72C V-DRIVE 1.5:1
GEAR DRIVEN
6005-002
GEAR: 72C V-DRIVE 1.9:1
GEAR DRIVEN
6005-003
GEAR: 72C V-DRIVE 1.9:1
CHAIN DRIVEN
6005-004
GEAR: 72C V-DRIVE 2.5:1
CHAIN DRIVEN
6005-005
GEAR: 72C V-DRIVE 2.5:1
GEAR DRIVEN

HURTH DIRECT DRIVE



6450-100
GEAR: 450D 1:1

HURTH



6450-125
GEAR: 450A 1.25:1
6450-150
GEAR: 450A 1.5:1
6450-200
GEAR: 450A 2.0:1

HURTH V-DRIVE



6635-130
GEAR: 630V 1.3:1
6635-150
GEAR: 630V 1.6:1
6635-210
GEAR: 630V 2.0:1
6635-250
GEAR: 630V 2.5:1

NOTE:
SOME TRANSMISSIONS LISTED MAY NOT BE AN IN-STOCK ITEM. LEAD TIMES MAY APPLY TO CERTAIN TRANSMISSIONS. CALL FOR AVAILABILITY.

GEAR LINES, COOLER, SWITCHES & FITTING



1256-037F8
GEAR LINE: 37" SPORTPAC
1256-042F8
GEAR LINE: 42" SPORTPAC
1250-003E3
GEAR LINE: 45" SPORTPAC



0440-001
COOLER: ENGINE OIL



0000-899
FITTING: OIL / GEAR COOLER



6640-005
SWITCH: NEUTRAL SAFETY



6450-204
SWITCH: GEAR ALARM
HI-TEMP OIL

SHIFT BRACKETS



1194-630
BRACKET: SHIFT HURTH 630A



1194-500J12
BRACKET: SHIFT BW5000



1194-000
BRACKET: SHIFT GEAR
BW 71C/72C

/// MARINEPOWER™
The Force Behind The Fun.™

Marine Power 3.0/181 PARTS BOOK ALPHABETICAL LISTING

PART NUMBER	DESCRIPTION	PAGE NUMBER(S)
0105-000	ADAPTER: CONE BERKLEY STYLE	5
0314-009	ADAPTER: CRANK PULLEY	8
0993-181	ADAPTER: EXH MANIFOLD	18
0993-181Z	ADAPTER: EXHAUST MANIFOLD WITH GASKETS	18
0993-346	ADAPTER: RISER 181 MP 4"	18
1210-000E7	ALTERNATOR: 51 AMP	11
0014-120	ARM KIT: ROCKER ARM (W/BALL) 181	3
0014-004	BALANCER: HARMONIC 181	1
0000-006	BALL JOINT: CONTROL CABLE	20
0014-121	BALL: ROCKER ARM 181	3
0432-048	BASE: FUEL WATER SEPARATOR FILTER	19,23
0007-038	BEARING KIT: CONN ROD 181/350	1
0014-189	BEARING: CAMSHAFT 181	1
0025-505	BEARING: CR/SHF #1, #2, #3, #4 91>	1
0014-009	BEARING: CR/SHF #5 91>	1
0120-538	BELLHOUSING: CAL JET 14"	5
0100-000	BELLHOUSING: INBOARD GAS	5
0545-181	BELT: ALTERNATOR	11
*BOOO-408	BOLT: CM/SHF SPROCKET >94	1
0025-408	BOLT: CM/SHF SPROCKET 91-93	1
0053-059I8	BOLT: CM/SHF THRST BRG 181/454	1
0007-066	BOLT: CONNECTING ROD 181/350 (PART OF #3)	1
0025-153	BOLT: CR/SHF BEARING CAP 181 91>	1
0025-916	BOLT: CR/SHF REAR OIL SEAL HSG 91>	1
0025-917	BOLT: CR/SHF REAR OIL SEAL HSG 91>	1
0025-027	BOLT: CYLINDER HEAD 91>	3
0053-002F3	BOLT: HARMONIC BALANCER 181/BB G5	1
0025-985	BOLT: LIFT BRACKET 91>	3
1110-903	BOLT: LOOM SS/ BB	12
0025-266	BOLT: OIL PUMP 91>	1
0014-266	BOLT: OIL PUMP SCR N BRKT 181	1
0014-403	BOLT: PUSH ROD COVER	1
0720-900	BOLT: TBI MOUNTING (3 EACH)	23
0007-958	BOLT: TIMING COVER 91>	1
0053-059I8	BOLT: VALE COVER 181 94> / 454	3
0025-107	BOLT: VALVE COVER 91-93	3
0025-923	BOLT: WATER PUMP 181	1
0025-924	BOLT: WATER PUMP 181	1
0509-101F4	BOTTLE: RECEVERY W/BASKET	8
1188-002	BRACKET: ALTERNATOR / PUMP SUPPORT	11
0407-200	BRACKET: BANJO DIPSTICK TUBE	6
0720-285	BRACKET: ECM EFI	22
0720-278N5	BRACKET: EFI FUEL PUMP "A"	22
0720-216	BRACKET: EFI FUEL PUMP "B"	22
1150-181	BRACKET: ELECTRONIC COMPONENT	19
0503-014N4	BRACKET: FRESHWATER TANK FRONT	8
0503-015N4	BRACKET: FRESHWATER TANK REAR	8
0710-216	BRACKET: FUEL PUMP EFI "B"	22
0725-000	BRACKET: FUEL WATER SERARATOR	19
0025-402	BRACKET: LIFT FRESH WATER	20
0021-502	BRACKET: LIFT FRONT	3
0025-401	BRACKET: LIFT RAW WATER	20
0025-003	BRACKET: LIFT REAR	20
0720-220	BRACKET: MAP SENSOR EFI	22
0014-265	BRACKET: OIL PUMP SCREEN 181	1
0509-102	BRACKET: RECOVERY BOTTLE	8
0576-000	BRACKET: SEAWATER PUMP	8
1194-500J12	BRACKET: SHIFT BW 5000	29
1194-000	BRACKET: SHIFT GEAR BW 71C / 72C	29
1194-630	BRACKET: SHIFT HURTH 630A	29
0014-456	BRACKET: STARTER SUPPORT 181	5
1189-000	BRACKET: TENSION ARM	11
0810-007N3	BRACKET: TENSION ARM / SIDE MOUNT PUMP	11
0720-279I9	BRACKET: THROTTLE TBI	22
0572-001	BUSHING: SEAWATER PUMP	8
0025-089	CAMSHAFT: 181 91>	1

Marine Power 3.0/181 PARTS BOOK ALPHABETICAL LISTING

PART NUMBER	DESCRIPTION	PAGE NUMBER(S)
0025-089	CAMSHAFT: 181 91>	1
0025-810	CAP: CR/SHF BEARING 181 91>	1
0811-001E	CAP: DISTRIBUTOR	11
0025-102	CAP: OIL FILL 181 91>	3
0014-378	CAP: VALVE SPRING 181	3
0703-300	CARBURETOR: HOLLEY 2BBL 300CFM	19
1140-004	CIRCUIT BREAKER: IGNITION	12
0000-001	CLAMP: CONTROL CABLE CLIP	20
0314-042	CLAMP: DISTRIBUTOR	11
0792-000	CLAMP: HARNESS	13
0792-010E3	CLAMP: HARNESS - MANIFOLD	11
0791-000	CLAMP: OIL COOLER 2"	7
0790-000	CLAMP: PREFORM SEAPUMP HOSE	23
0993-303F10	CLAMP: RISER	18
0000-002	CLIP: CONTROL CABLE DUAL	20
0000-001O8	CLIP: CONTROL CABLE SINGLE	20
1110-001	CLIP: IGNITION WIRE	12
0805-100E5	COIL: ELECTRONIC STANDARD	11
0014-036	CONNECTING ROD: 181	1
0440-001	COOLER: ENGINE OIL	29
0440-001	COOLER: OIL 5" x 1 1/4"	7
0025-990F7	COUPLER: FLEXPLATE 12 3/4"	5
0007-990F7	COUPLER: FLEXPLATE 14"	5
0151-000	COVER: DUST 12 3/4" FLYWHEEL	5
0150-000	COVER: DUST 14" FLYWHEEL	5
0151-538	COVER: DUST CAL JET 144" FLYWHEEL	5
0014-401	COVER: PUSH ROD	1
0014-058	COVER: TIMING 181 (#35 PART OF ASSM)	1
0014-100	COVER: VALVE 181	3
0025-021	CRANKSHAFT: 181 91>	1
0072-000	DAMPER PLATE: SB 12 3/4"	5
0071-000	DAMPER PLATE: SB 14"	5
0314-002	DIPSTICK	6
0407-002	DIPSTICK TUBE : 181/SB/BB/6.5 PLASTISOL	6
0314-001	DIPSTICK TUBE: ENPAC	6
0811-000	DISTRIBUTOR: ELECTRONIC	11
7909-005	DRIVE LINE: NW & CAL JET	5
0000-004	EYE: CONTROL CABLE	20
0720-490	FILTER: FUEL FILTER EFI	23
0432-049	FILTER: FUEL WATER SEPARATOR	19,23
0905-000	FILTER: OIL ENPAC	6
0904-000	FILTER: OIL SPORTPAC	6
0000-808	FITTING: 1/2 X 5/8"	9, 18
0720-851	FITTING: 1/4 X 3/8" BRASS 90 DEGREE	20, 23
0000-881F9	FITTING: 1/4" X 5/16" BRASS 90 DEGREE	9
0000-898	FITTING: 1/8 X 45 DEGREE	9
0400-800	FITTING: BANJO ASSM STANDARD	6
0000-815H7	FITTING: BRASS 90 DEGREE 3/4 x 1"	9
0000-800H7	FITTING: BRASS STRAIGHT 3/4 x 1"	9
0720-455	FITTING: EFI RETURN "T"	23
0720-805	FITTING: FUEL PUMP FEED 90 DEGREE	23
0000-882	FITTING: FUEL PUMP OUT	9
0000-899	FITTING: OIL / GEAR COOLER	29
0000-820	FITTING: OIL FILTER 181/BB MARK IV	1
0000-887	FITTING: VENT TUBE	9
0951-200G2	FLAME ARRESTOR	19
0720-000	FLAME ARRESTOR 8"	22
0025-140	FLYWHEEL, BOTTOM MOUNT 14"	5
0025-142	FLYWHEEL: BOTTOM MOUNT 12 3/4"	5
0430-000G9	FUEL LINE: FEED 300 CFM	19
0434-000N11	FUEL LINE: FUEL PUUMP TO CARB	19
0430-004	FUEL LINE: SEPARATOR TO ELECT FUEL PUMP	19
0720-403O7	FUEL LINE: TBI FEED 3/8"	21
0720-404O7	FUEL LINE: TBI FUEL PUMP TO FILTER 3/8"	21
0720-402I9	FUEL LINE: TBI RETURN 5/16"	21

Marine Power 3.0/181 PARTS BOOK ALPHABETICAL LISTING

PART NUMBER	DESCRIPTION	PAGE NUMBER(S)
0720-40219	FUEL LINE: TBI RETURN 5/16"	21
0720-405	FUEL LINE: TBI SEPARATOR TO FUEL PUMP 3/8	21
0303-016F1	FUEL PUMP: ELECTRIC	19, 22
0720-016	FUEL PUMP: HI PRESSURE EFI	21
0703-101	GASKET: CARB HOLLEY	19
0705-004	GASKET: CARB HOLLEY 1/8"	21
0025-610	GASKET: CR/SHF REAR OIL SEAL HSG 91>	1
0014-025	GASKET: CYLINDER HEAD 181 <91	3
0025-025	GASKET: CYLINDER HEAD 181 91>	3
0314-043	GASKET: DISTRIBUTOR	11
0993-301F9	GASKET: EXH MANIFOLD (CYL HEAD TO MANIFOLD)	18
0993-120	GASKET: EXHAUST MANIFOLD	18
0309-023	GASKET: FUEL PUMP	19
0993-301F9	GASKET: INTAKE MANIFOLD 91>	3
0014-245	GASKET: OIL PAN <90	6
0025-245	GASKET: OIL PAN >91	6
0014-402	GASKET: PUSH ROD COVER	1
0993-307F7	GASKET: RISER	18
0720-651	GASKET: TBI 51MM BORE	21
0303-009	GASKET: THERMOSTAT	7
0214-004	GASKET: THERMOSTAT	7
0214-003	GASKET: THERMOSTAT CAP	7
0014-061	GASKET: TIMING COVER 181	1
0025-101	GASKET: VALVE COVER 91>	3
0314-650	GASKET: WATER PUMP 181 >91	1
0945-015	GAUGE: FUEL	13
0945-476	GAUGE: HOUR METER	13
0945-005	GAUGE: OIL PRESSURE	13
0945-004	GAUGE: TACHOMETER	13
0945-003	GAUGE: VOLTMETER	13
0945-002	GAUGE: WATER TEMP	13
1256-037F8	GEAR LINE: 37" SPORTPAC	29
1256-042F8	GEAR LINE: 42" SPORTPAC	29
1250-003E3	GEAR LINE: 45" SPORTPAC	29
6000-000	GEARS: VELVET DRIVE & HURTH	28
0080-650	GROMMET: HI-PRESSURE PUMP	23
0307-006	GROMMET: VALVE COVER	19
0947-003	HARNESS: 3 FT EXTENSION	13
0947-010	HARNESS: 10 FT EXTENSION	13
0947-016	HARNESS: 16 FT EXTENSION	13
0947-025	HARNESS: 25 FT EXTENSION	13
0947-035	HARNESS: 35 FT EXTENSION	13
1140-240N7	HARNESS: CARBURETED	13
1140-334P8	HARNESS: PRIMARY ENGINE EFI	22
0806-824N5	HARNESS: TBI	22
0025-024	HEAD: CYLINDER BARE 181 91>	3
0720-420	HOSE : TBI MAP VACUUM	22
HWRF-016	HOSE 1"	7
1452-000F11	HOSE: CIRC PUMP FRESH WATER	7
1453-000	HOSE: CIRC PUMP RAW WATER	7
1459-002	HOSE: MANIFOLD INLET	7
1455-017G8	HOSE: UNIVERSAL EL SB/BB	7
1450-100	HOSE: VENT TUBE	19
0009-034	HOUSING: CR/SHF REAR OIL SEAL 181/262	1
0506-009F4	HOUSING: THERMO FRESH WATER TANK	7
0214-000	HOUSING: THERMOSTAT BASE	7
0214-001	HOUSING: THERMOSTAT CAP RAW WATER	7
1112-000	IGNITION WIRE SET: YELLOW	12
0720-521	INJECTOR: TBI	21
0004-094	KEY: CM/SHF SPROCKET (PART OF #20)	1
0654-900	KEY: SEAWATER PUMP	8
0007-380	KEY: VALVE STEM 181/350	3
0703-320	KIT: HOLLEY CARB REBUILD	19
0007-097	LIFTER: VALVE 181/350	3
0993-300F4	MANIFOLD: EXHAUST ALUMINUM	18
0807-006M5	MODULE: DISTRIBUTOR	11

Marine Power 3.0/181 PARTS BOOK ALPHABETICAL LISTING

PART NUMBER	DESCRIPTION	PAGE NUMBER(S)
0807-006M5	MODULE: DISTRIBUTOR	11
0806-599	MODULE: ECM	22
0806-013	MODULE: KNOCK	22
0035-000	MOUNT: ENGINE SIDE	27
0034-215	MOUNT: GEAR BW 5000 & HURTH PORT	27
0034-210	MOUNT: GEAR BW 5000 & HURTH STARBOARD	27
0034-100	MOUNT: GEAR BW 71C / 72C	27
1435-000	MOUNT: ISOLATOR	27
0303-018F4	MOUNTING KIT: ELECT FUEL PUMP	19
0025-860	NOZZLE: CM/SHF GEAR LUBE 91>	1
0060-067	NUT: CONN ROD 181/454SP/7.4V	1
0053-915	NUT: OIL PUMP 181/SB	1
0007-122	NUT: ROCKER ARM 181/350	3
0940-150	OIL BLOCK	6
1460-001	OIL DRAIN: EZ METRIC THREAD	6
1460-000	OIL DRAIN: EZ STANDARD THREAD	6
0910-600	OIL LINE: FEED TUBE	6
0014-241	OIL PAN: CENTER SUMP <90	6
0025-241	OIL PAN: CENTER SUMP >91	6
0014-240	OIL PAN: FRONT SUMP <90	6
0025-240	OIL PAN: FRONT SUMP >91	6
0025-242	OIL PAN: REAR SUMP >91	6
0993-306F4	OUTLET: EXHAUST	18
0945-000	PANEL: INSTRUMENT W/GAUGES	13
0000-003	PIN: CONTROL CABLE EYE	20
0025-910	PIN: CR/SHF REAR OIL SEAL HSG 91>	1
0032-00316	PIN: ENGINE / GEAR 4 3/4"	27
0032-004	PIN: ENGINE / GEAR 6"	27
0014-037	PISTON: 181 W/PIN <90	1
0025-037	PISTON: 181 W/PIN >90	1
0503-201	PLATE : BLOCKOFF	18
0025-093	PLATE KIT: CM.SHF THRST 91> (INCL #18)	1
0102-537	PLATE: ACCESS, CAL JET BELLHOUSING	5
0151-010	PLATE: STARTER BELLHOUSING	5
0703-103F4	PLATE: WEDGE	19
0021-880	PLUG: CYL HEAD CORE HOLE 91>	3
0053-2110F8	PLUG: ENGINE BLOCK CORE HOLE 91>	3
0025-026	PLUG: OIL GALLEY 181 >91	1
0025-815	PLUG: OIL GALLEY 181 >91	1
0000-893	PLUG: PIPE 1/4" HEX HEAD	9
0000-876	PLUG: PIPE 1/8"	9, 18
0000-877	PLUG: PIPE 3/4" ALUMINUM	9
0000-878	PLUG: PIPE 3/8"	9, 18
0307-007	PULLEY: CIRC PUMP (REQUIRES ADAPTER 0314-009)	8
0307-028	PULLEY: CRANKSHAFT 1-GROOVE	8
0673-000	PULLEY: SEAWATER PUMP	8
0025-071	PUMP: CIRCULATING WATER >91	1
0314-016F8	PUMP: MECHANICAL FUEL ENPAC	19
0025-255	PUMP: OIL 181 91>	1
0564-000	PUMP: SEAWATER SIDE MOUNT	8
0014-105	REINFORCEMENT: VALVE COVER 181	3
6754-850N4	RELAY: ELEC FUEL PUMP	12
1140-102F5	RELAY: HARNES 40 AMP	12
1140-011N4	RELAY: STARTER 70 AMP (>APRIL 99)	12
1140-006	RELAY: STARTER OLD STYLY (<MARCH 99)	12
0014-348	RING SET: PISTON 181/262/350	1
0025-660	RING: CM/SHF THRUST 91>	1
0993-302F4	RISER ELBOW: UNIVERSAL	18
0025-127	ROD: VALVE PUSH 91>	3
0007-379	ROTATOR: VALVE 181 91> / 350	3
0811-002E	ROTOR: DISTRIBUTOR	11
0025-270	SCREEN: OIL PUMP 181 FRNT/CTR SUMP11	1
0014-272	SCREEN: OIL PUMP 181 REAR SUMP1	1
0025-005	SEAL: CR/SHF FRONT OIL 181/262/350	1
0009-033	SEAL: CR/SHF REAR OIL 181/SB	1
0720-601	SEAL: TBI O-RING FUEL FEED LARGE	23

Marine Power 3.0/181 PARTS BOOK ALPHABETICAL LISTING

PART NUMBER	DESCRIPTION	PAGE NUMBER(S)
0720-601	SEAL: TBI O-RING FUEL FEED LARGE	23
0720-602	SEAL: TBI O-RING FUEL RETURN SMALL	23
0007-178	SEAL: VALVE STEM OIL 181/350	3
0806-020F12	SENDER: MAP ALL EFI	22
0940-102	SENDER: OIL DUAL	12
0940-002	SENDER: OIL SINGLE	12
0806-010F12	SENDER: TEMPERATURE EFI	22
0940-111	SENDER: WATER DUAL 3/8"	12
0940-001	SENDER: WATER SINGLE 1/2"	12
0806-003	SENSOR: KNOCK	22
0007-377	SHIELD: VALVE STEM OIL 181/350	3
1188-001	SPACER, ALTERNATOR	11
0993-304F4	SPACER: RISER	18
0007-015	SPARK PLUG: 181 / ALL VORTEC	3, 11
0007-015	SPARK, PLUG AC DELCO MR43T	11
0015-376	SPRING: VALVE 181	3
0014-081	SPROCKET: CAMSHAFT 181	1
0025-082	SPROCKET: CM/SHF 181 91>	1
0172-000	STARTER: BOTTOM MOUNT 12 3/4"	5
0174-000	STARTER: BOTTOM MOUNT 14"	5
0025-273	STUD: CR/SHF BEARING CAP 91>	1
0009-301	STUD: CR/SHF REAR OIL SEAL HSG RETNR	1
0025-940	STUD: ROCKER ARM BALL	3
6450-204	SWITCH: GEAR ALARM HI-TEMP OIL	29
0303-017F3	SWITCH: HOBBS OIL/FUEL PUMP CUTOFF	12
6640-005	SWITCH: NEUTRAL SAFETY	29
0940-202	SWITCH: OIL PRESSURE 1/8" 7 PSI	12
0940-201	SWITCH: WATER TEMP 3/8"	12
0503-20319	TANK: FRESH WATER SIDE MOUNT	8
0500-007F6	THERMOSTAT FRESH WATER 160 DEGREE	7
0214-002	THERMOSTAT RAW WATER 153 DEGREE	7
9000-001	TIMING TOOL	12
0025-175	VALVE: EXHAUST 181 91>	3
0021-174	VALVE: INTAKE 181 91>	3
0025-961	WASHER: CM/SHF SPROCKET 91-93	1
0004-093	WASHER: CM/SHF THRST BRG 181/454OR	1
0014-161	WASHER: FLYWHEEL LOCK 181	1
0014-267	WASHER: OIL PUMP SCRNR BRKT 181	1
0811-027	WIRE LEAD SET: ELECT FUEL PUMP	12
0811-018	WIRE LEAD: COIL TO DISTRIBUTOR + FILTER	12
0811-016	WIRE LEAD: COIL TO HARNESS	12
0811-020F8	WIRE LEAD: HOBBS OIL SWITCH	12
0811-019	WIRE LEAD: IGNITION SHIFT INTERRUPT	12

Marine Power 3.0/181 PARTS BOOK NUMERICAL LISTING

PART NUMBER	DESCRIPTION	PAGE NUMBER(S)
*BOOO-408	BOLT: CM/SHF SPROCKET >94	1
0000-001	CLAMP: CONTROL CABLE CLIP	20
0000-001O8	CLIP: CONTROL CABLE SINGLE	20
0000-002	CLIP: CONTROL CABLE DUAL	20
0000-003	PIN: CONTROL CABLE EYE	20
0000-004	EYE: CONTROL CABLE	20
0000-006	BALL JOINT: CONTROL CABLE	20
0000-800H7	FITTING: BRASS STRAIGHT 3/4 x 1"	9
0000-808	FITTING: 1/2 X 5/8"	9, 18
0000-815H7	FITTING: BRASS 90 DEGREE 3/4 x 1"	9
0000-820	FITTING: OIL FILTER 181/BB MARK IV	1
0000-876	PLUG: PIPE 1/8"	9, 18
0000-877	PLUG: PIPE 3/4" ALUMINUM	9
0000-878	PLUG: PIPE 3/8"	9, 18
0000-881F9	FITTING: 1/4" X 5/16" BRASS 90 DEGREE	9
0000-882	FITTING: FUEL PUMP OUT	9
0000-887	FITTING: VENT TUBE	9
0000-893	PLUG: PIPE 1/4" HEX HEAD	9
0000-898	FITTING: 1/8 X 45 DEGREE	9
0000-899	FITTING: OIL / GEAR COOLER	29
0004-093	WASHER: CM/SHF THRST BRG 181/454OR	1
0004-094	KEY: CM/SHF SPROCKET (PART OF #20)	1
0007-015	SPARK PLUG: 181 / ALL VORTEC	3, 11
0007-015	SPARK, PLUG AC DELCO MR43T	11
0007-038	BEARING KIT: CONN ROD 181/350	1
0007-066	BOLT: CONNECTING ROD 181/350 (PART OF #3)	1
0007-097	LIFTER: VALVE 181/350	3
0007-122	NUT: ROCKER ARM 181/350	3
0007-178	SEAL: VALVE STEM OIL 181/350	3
0007-377	SHIELD: VALVE STEM OIL 181/350	3
0007-379	ROTATOR: VALVE 181 91> / 350	3
0007-380	KEY: VALVE STEM 181/350	3
0007-958	BOLT: TIMING COVER 91>	1
0007-990F7	COUPLER: FLEXPLATE 14"	5
0009-033	SEAL: CR/SHF REAR OIL 181/SB	1
0009-034	HOUSING: CR/SHF REAR OIL SEAL 181/262	1
0009-301	STUD: CR/SHF REAR OIL SEAL HSG RETNR	1
0014-004	BALANCER: HARMONIC 181	1
0014-009	BEARING: CR/SHF #5 91>	1
0014-025	GASKET: CYLINDER HEAD 181 <91	3
0014-036	CONNECTING ROD: 181	1
0014-037	PISTON: 181 W/PIN <90	1
0014-058	COVER: TIMING 181 (#35 PART OF ASSM)	1
0014-061	GASKET: TIMING COVER 181	1
0014-081	SPROCKET: CAMSHAFT 181	1
0014-100	COVER: VALVE 181	3
0014-105	REINFORCEMENT: VALVE COVER 181	3
0014-120	ARM KIT: ROCKER ARM (W/BALL) 181	3
0014-121	BALL: ROCKER ARM 181	3
0014-161	WASHER: FLYWHEEL LOCK 181	1
0014-189	BEARING: CAMSHAFT 181	1
0014-240	OIL PAN: FRONT SUMP <90	6
0014-241	OIL PAN: CENTER SUMP <90	6
0014-245	GASKET: OIL PAN <90	6
0014-265	BRACKET: OIL PUMP SCREEN 181	1
0014-266	BOLT: OIL PUMP SCRNR BRKT 181	1
0014-267	WASHER: OIL PUMP SCRNR BRKT 181	1
0014-272	SCREEN: OIL PUMP 181 REAR SUMP1	1
0014-348	RING SET: PISTON 181/262/350	1
0014-378	CAP: VALVE SPRING 181	3
0014-401	COVER: PUSH ROD	1
0014-402	GASKET: PUSH ROD COVER	1
0014-403	BOLT: PUSH ROD COVER	1
0014-456	BRACKET: STARTER SUPPORT 181	5
0015-376	SPRING: VALVE 181	3
0021-174	VALVE: INTAKE 181 91>	3

Marine Power 3.0/181 PARTS BOOK NUMERICAL LISTING

PART NUMBER	DESCRIPTION	PAGE NUMBER(S)
0021-502	BRACKET: LIFT FRONT	3
0021-880	PLUG: CYL HEAD CORE HOLE 91>	3
0025-003	BRACKET: LIFT REAR	20
0025-005	SEAL: CR/SHF FRONT OIL 181/262/350	1
0025-021	CRANKSHAFT: 181 91>	1
0025-024	HEAD: CYLINDER BARE 181 91>	3
0025-025	GASKET: CYLINDER HEAD 181 91>	3
0025-026	PLUG: OIL GALLEY 181 >91	1
0025-027	BOLT: CYLINDER HEAD 91>	3
0025-037	PISTON: 181 W/PIN >90	1
0025-071	PUMP: CIRCULATING WATER >91	1
0025-082	SPROCKET: CM/SHF 181 91>	1
0025-089	CAMSHAFT: 181 91>	1
0025-093	PLATE KIT: CM.SHF THRST 91> (INCL #18)	1
0025-101	GASKET: VALVE COVER 91>	3
0025-102	CAP: OIL FILL 181 91>	3
0025-107	BOLT: VALVE COVER 91-93	3
0025-127	ROD: VALVE PUSH 91>	3
0025-140	FLYWHEEL, BOTTOM MOUNT 14"	5
0025-142	FLYWHEEL: BOTTOM MOUNT 12 3/4"	5
0025-153	BOLT: CR/SHF BEARING CAP 181 91>	1
0025-175	VALVE: EXHAUST 181 91>	3
0025-240	OIL PAN: FRONT SUMP >91	6
0025-241	OIL PAN: CENTER SUMP >91	6
0025-242	OIL PAN: REAR SUMP >91	6
0025-245	GASKET: OIL PAN >91	6
0025-255	PUMP: OIL 181 91>	1
0025-266	BOLT: OIL PUMP 91>	1
0025-270	SCREEN: OIL PUMP 181 FRNT/CTR SUMP11	1
0025-273	STUD: CR/SHF BEARING CAP 91>	1
0025-401	BRACKET: LIFT RAW WATER	20
0025-402	BRACKET: LIFT FRESH WATER	20
0025-408	BOLT: CM/SHF SPROCKET 91-93	1
0025-505	BEARING: CR/SHF #1, #2, #3, #4 91>	1
0025-610	GASKET: CR/SHF REAR OIL SEAL HSG 91>	1
0025-660	RING: CM/SHF THRUST 91>	1
0025-810	CAP: CR/SHF BEARING 181 91>	1
0025-815	PLUG: OIL GALLEY 181 >91	1
0025-860	NOZZLE: CM/SHF GEAR LUBE 91>	1
0025-910	PIN: CR/SHF REAR OIL SEAL HSG 91>	1
0025-916	BOLT: CR/SHF REAR OIL SEAL HSG 91>	1
0025-917	BOLT: CR/SHF REAR OIL SEAL HSG 91>	1
0025-923	BOLT: WATER PUMP 181	1
0025-924	BOLT: WATER PUMP 181	1
0025-940	STUD: ROCKER ARM BALL	3
0025-961	WASHER: CM/SHF SPROCKET 91-93	1
0025-985	BOLT: LIFT BRACKET 91>	3
0025-990F7	COUPLER: FLEXPLATE 12 3/4"	5
0032-00316	PIN: ENGINE / GEAR 4 3/4"	27
0032-004	PIN: ENGINE / GEAR 6"	27
0034-100	MOUNT: GEAR BW 71C / 72C	27
0034-210	MOUNT: GEAR BW 5000 & HURTH STARBOARD	27
0034-215	MOUNT: GEAR BW 5000 & HURTH PORT	27
0035-000	MOUNT: ENGINE SIDE	27
0053-002F3	BOLT: HARMONIC BALANCER 181/BB G5	1
0053-05918	BOLT: CM/SHF THRST BRG 181/454	1
0053-05918	BOLT: VALE COVER 181 94> / 454	3
0053-2110F8	PLUG: ENGINE BLOCK CORE HOLE 91>	3
0053-915	NUT: OIL PUMP 181/SB	1
0060-067	NUT: CONN ROD 181/454SP/7.4V	1
0071-000	DAMPER PLATE: SB 14"	5
0072-000	DAMPER PLATE: SB 12 3/4"	5
0080-650	GROMMET: HI-PRESSURE PUMP	23
0100-000	BELLHOUSING: INBOARD GAS	5
0102-537	PLATE: ACCESS, CAL JET BELLHOUSING	5
0105-000	ADAPTER: CONE BERKLEY STYLE	5

Marine Power 3.0/181 PARTS BOOK NUMERICAL LISTING

PART NUMBER	DESCRIPTION	PAGE NUMBER(S)
0120-538	BELLHOUSING: CAL JET 14"	5
0150-000	COVER: DUST 14" FLYWHEEL	5
0151-000	COVER: DUST 12 3/4" FLYWHEEL	5
0151-010	PLATE: STARTER BELLHOUSING	5
0151-538	COVER: DUST CAL JET 144" FLYWHEEL	5
0172-000	STARTER: BOTTOM MOUNT 12 3/4"	5
0174-000	STARTER: BOTTOM MOUNT 14"	5
0214-000	HOUSING: THERMOSTAT BASE	7
0214-001	HOUSING: THERMOSTAT CAP RAW WATER	7
0214-002	THERMOSTAT RAW WATER 153 DEGREE	7
0214-003	GASKET: THERMOSTAT CAP	7
0214-004	GASKET: THERMOSTAT	7
0303-009	GASKET: THERMOSTAT	7
0303-016F1	FUEL PUMP: ELECTRIC	19, 22
0303-017F3	SWITCH: HOBBS OIL/FUEL PUMP CUTOFF	12
0303-018F4	MOUNTING KIT: ELECT FUEL PUMP	19
0307-006	GROMMET: VALVE COVER	19
0307-007	PULLEY: CIRC PUMP (REQUIRES ADAPTER 0314-009)	8
0307-028	PULLEY: CRANKSHAFT 1-GROOVE	8
0309-023	GASKET: FUEL PUMP	19
0314-001	DIPSTICK TUBE: ENPAC	6
0314-002	DIPSTICK	6
0314-009	ADAPTER: CRANK PULLEY	8
0314-016F8	PUMP: MECHANICAL FUEL ENPAC	19
0314-042	CLAMP: DISTRIBUTOR	11
0314-043	GASKET: DISTRIBUTOR	11
0314-650	GASKET: WATER PUMP 181 >91	1
0400-800	FITTING: BANJO ASSM STANDARD	6
0407-002	DIPSTICK TUBE : 181/SB/BB/6.5 PLASTISOL	6
0407-200	BRACKET: BANJO DIPSTICK TUBE	6
0430-000G9	FUEL LINE: FEED 300 CFM	19
0430-004	FUEL LINE: SEPARATOR TO ELECT FUEL PUMP	19
0432-048	BASE: FUEL WATER SEPARATOR FILTER	19,23
0432-049	FILTER: FUEL WATER SEPARATOR	19,23
0434-000N11	FUEL LINE: FUEL PUUMP TO CARB	19
0440-001	COOLER: ENGINE OIL	29
0440-001	COOLER: OIL 5" x 1 1/4"	7
0500-007F6	THERMOSTAT FRESH WATER 160 DEGREE	7
0503-014N4	BRACKET: FRESHWATER TANK FRONT	8
0503-015N4	BRACKET: FRESHWATER TANK REAR	8
0503-201	PLATE : BLOCKOFF	18
0503-20319	TANK: FRESH WATER SIDE MOUNT	8
0506-009F4	HOUSING: THERMO FRESH WATER TANK	7
0509-101F4	BOTTLE: RECEVERY W/BASKET	8
0509-102	BRACKET: RECOVERY BOTTLE	8
0545-181	BELT: ALTERNATOR	11
0564-000	PUMP: SEAWATER SIDE MOUNT	8
0572-001	BUSHING: SEAWATER PUMP	8
0576-000	BRACKET: SEAWATER PUMP	8
0654-900	KEY: SEAWATER PUMP	8
0673-000	PULLEY: SEAWATER PUMP	8
0703-101	GASKET: CARB HOLLEY	19
0703-103F4	PLATE: WEDGE	19
0703-300	CARBURETOR: HOLLEY 2BBL 300CFM	19
0703-320	KIT: HOLLEY CARB REBUILD	19
0705-004	GASKET: CARB HOLLEY 1/8"	21
0710-216	BRACKET: FUEL PUMP EFI "B"	22
0720-000	FLAME ARRESTOR 8"	22
0720-016	FUEL PUMP: HI PRESSURE EFI	21
0720-216	BRACKET: EFI FUEL PUMP "B"	22
0720-220	BRACKET: MAP SENSOR EFI	22
0720-278N5	BRACKET: EFI FUEL PUMP "A"	22
0720-27919	BRACKET: THROTTLE TBI	22
0720-285	BRACKET: ECM EFI	22
0720-40219	FUEL LINE: TBI RETURN 5/16"	21
0720-40307	FUEL LINE: TBI FEED 3/8"	21

Marine Power 3.0/181 PARTS BOOK NUMERICAL LISTING

PART NUMBER	DESCRIPTION	PAGE NUMBER(S)
0720-40407	FUEL LINE: TBI FUEL PUMP TO FILTER 3/8"	21
0720-405	FUEL LINE: TBI SEPARATOR TO FUEL PUMP 3/8	21
0720-420	HOSE : TBI MAP VACUUM	22
0720-455	FITTING: EFI RETURN "T"	23
0720-490	FILTER: FUEL FILTER EFI	23
0720-521	INJECTOR: TBI	21
0720-601	SEAL: TBI O-RING FUEL FEED LARGE	23
0720-602	SEAL: TBI O-RING FUEL RETURN SMALL	23
0720-651	GASKET: TBI 51MM BORE	21
0720-805	FITTING: FUEL PUMP FEED 90 DEGREE	23
0720-851	FITTING: 1/4 X 3/8" BRASS 90 DEGREE	20, 23
0720-900	BOLT: TBI MOUNTING (3 EACH)	23
0725-000	BRACKET: FUEL WATER SERARATOR	19
0790-000	CLAMP: PREFORM SEAPUMP HOSE	23
0791-000	CLAMP: OIL COOLER 2"	7
0792-000	CLAMP: HARNESS	13
0792-010E3	CLAMP: HARNESS - MANIFOLD	11
0805-100E5	COIL: ELECTRONIC STANDARD	11
0806-003	SENSOR: KNOCK	22
0806-010F12	SENDER: TEMPERATURE EFI	22
0806-013	MODULE: KNOCK	22
0806-020F12	SENDER: MAP ALL EFI	22
0806-599	MODULE: ECM	22
0806-824N5	HARNESS: TBI	22
0807-006M5	MODULE: DISTRIBUTOR	11
0810-007N3	BRACKET: TENSION ARM / SIDE MOUNT PUMP	11
0811-000	DISTRIBUTOR: ELECTRONIC	11
0811-001E	CAP: DISTRIBUTOR	11
0811-002E	ROTOR: DISTRIBUTOR	11
0811-016	WIRE LEAD: COIL TO HARNESS	12
0811-018	WIRE LEAD: COIL TO DISTRIBUTOR + FILTER	12
0811-019	WIRE LEAD: IGNITION SHIFT INTERRUPT	12
0811-020F8	WIRE LEAD: HOBBS OIL SWITCH	12
0811-027	WIRE LEAD SET: ELECT FUEL PUMP	12
0904-000	FILTER: OIL SPORTPAC	6
0905-000	FILTER: OIL ENPAC	6
0910-600	OIL LINE: FEED TUBE	6
0940-001	SENDER: WATER SINGLE 1/2"	12
0940-002	SENDER: OIL SINGLE	12
0940-102	SENDER: OIL DUAL	12
0940-111	SENDER: WATER DUAL 3/8"	12
0940-150	OIL BLOCK	6
0940-201	SWITCH: WATER TEMP 3/8"	12
0940-202	SWITCH: OIL PRESSURE 1/8" 7 PSI	12
0945-000	PANEL: INSTRUMENT W/GAUGES	13
0945-002	GAUGE: WATER TEMP	13
0945-003	GAUGE: VOLTMETER	13
0945-004	GAUGE: TACHOMETER	13
0945-005	GAUGE: OIL PRESSURE	13
0945-015	GAUGE: FUEL	13
0945-476	GAUGE: HOUR METER	13
0947-003	HARNESS: 3 FT EXTENSION	13
0947-010	HARNESS: 10 FT EXTENSION	13
0947-016	HARNESS: 16 FT EXTENSION	13
0947-025	HARNESS: 25 FT EXTENSION	13
0947-035	HARNESS: 35 FT EXTENSION	13
0951-200G2	FLAME ARRESTOR	19
0993-120	GASKET: EXHAUST MANIFOLD	18
0993-181	ADAPTER: EXH MANIFOLD	18
0993-181Z	ADAPTER: EXHAUST MANIFOLD WITH GASKETS	18
0993-300F4	MAINFOLD: EXHAUST ALUMINUM	18
0993-301F9	GASKET: EXH MANIFOLD (CYL HEAD TO MANIFOLD)	18
0993-301F9	GASKET: INTAKE MANIFOLD 91>	3
0993-302F4	RISER ELBOW: UNIVERSAL	18
0993-303F10	CLAMP: RISER	18
0993-304F4	SPACER: RISER	18

Marine Power 3.0/181 PARTS BOOK NUMERICAL LISTING

PART NUMBER	DESCRIPTION	PAGE NUMBER(S)
0993-306F4	OUTLET: EXHAUST	18
0993-307F7	GASKET: RISER	18
0993-346	ADAPTER: RISER 181 MP 4"	18
1110-001	CLIP: IGNITION WIRE	12
1110-903	BOLT: LOOM SS/ BB	12
1112-000	IGNITION WIRE SET: YELLOW	12
1140-004	CIRCUIT BREAKER: IGNITION	12
1140-006	RELAY: STARTER OLD STYLY (<MARCH 99)	12
1140-011N4	RELAY: STARTER 70 AMP (>APRIL 99)	12
1140-102F5	RELAY: HARNES 40 AMP	12
1140-240N7	HARNESS: CARBURETED	13
1140-334P8	HARNESS: PRIMARY ENGINE EFI	22
1150-181	BRACKET: ELECTRONIC COMPONENT	19
1188-001	SPACER, ALTERNATOR	11
1188-002	BRACKET: ALTERNATOR / PUMP SUPPORT	11
1189-000	BRACKET: TENSION ARM	11
1194-000	BRACKET: SHIFT GEAR BW 71C / 72C	29
1194-500J12	BRACKET: SHIFT BW 5000	29
1194-630	BRACKET: SHIFT HURTH 630A	29
1210-000E7	ALTERNATOR: 51 AMP	11
1250-003E3	GEAR LINE: 45" SPORTPAC	29
1256-037F8	GEAR LINE: 37" SPORTPAC	29
1256-042F8	GEAR LINE: 42" SPORTPAC	29
1435-000	MOUNT: ISOLATOR	27
1450-100	HOSE: VENT TUBE	19
1452-000F11	HOSE: CIRC PUMP FRESH WATER	7
1453-000	HOSE: CIRC PUMP RAW WATER	7
1455-017G8	HOSE: UNIVERSAL EL SB/BB	7
1459-002	HOSE: MANIFOLD INLET	7
1460-000	OIL DRAIN: EZ STANDARD THREAD	6
1460-001	OIL DRAIN: EZ METRIC THREAD	6
6000-000	GEARS: VELVET DRIVE & HURTH	28
6450-204	SWITCH: GEAR ALARM HI-TEMP OIL	29
6640-005	SWITCH: NEUTRAL SAFETY	29
6754-850N4	RELAY: ELEC FUEL PUMP	12
7909-005	DRIVE LINE: NW & CAL JET	5
9000-001	TIMING TOOL	12
HWRF-016	HOSE 1"	7