

Contents:

| | |
|---|----|
| Symbols | 2 |
| Maintenance Item Part Numbers | 3 |
| Cylinder Block Assembly - | 4 |
| Cylinder Head Assembly / Front Cover - | 6 |
| Exhaust Manifold / Knock Sensors - | 10 |
| Intake Manifold Components - | 14 |
| Oil Pan and Oil Pump Assembly - | 16 |
| Remote Oil Filter Components - | 18 |
| Fuel Control Cell (FCC) Components - | 20 |
| Heat Exchanger and Components - | 22 |
| Raw Water Cooling Pump - | 26 |
| Wiring Harness Assemblies and Senders - | 28 |
| ECM and Relays - | 30 |
| Accessory Drive System Components - | 32 |
| Bellhousing and Starter Assembly Components - | 34 |
| Engine and Transmission Mounts - | 36 |
| Transmission and Related Parts - | 40 |

“TYPICAL VIEWS ARE SHOWN”**ENGINE ROTATION**

Engine Rotation is identified as “RH” or “LH” with the engine model number. Rotation always is determined from the flywheel end looking toward the front of the engine. In some instances, propeller shaft rotation may be opposite to that of the engine.

When ordering a replacement engine, production block or parts for the engine, be certain to check engine rotation. **DO NOT rely on propeller rotation in order to determine engine rotation.**

LEFT-HAND ROTATION is STANDARD ROTATION.

(Flywheel turns counterclockwise when viewed from flywheel end of the engine.)

RIGHT-HAND ROTATION is OPPOSITE ROTATION.

(Flywheel turns clockwise when viewed from flywheel end of the engine.)

HOW TO READ THIS PARTS BOOK:

| ITEM | PART NO. | QTY. | DESCRIPTION | MODEL ID |
|------|-----------|------|----------------------------|----------|
| 1 | RB001005I | 1 | Base Engine Assembly, 6.0L | |



- ① ITEM NUMBER - This number corresponds with the number in the exploded view on the facing page.
- ② PART NUMBER - This is the designated part number for the particular component or assembly.
- ③ QUANTITY - This refers to the number of pieces used.
- ④ DESCRIPTION - This identifies what the component or assembly is.
- ⑤ MODEL ID - This identifies a component or assembly that is unique to a specific engine model.

=====

Symbols shown throughout parts list are defined here or on the bottom of the individual parts list page.

- AR = As Required
- OPT = Optional
- NSS = Not Serviced Separately
- NA = Not Available
- OS = Oversize
- US = Undersize
- TBD = To Be Determined
- NI = Not Illustrated

=====

REPLACEMENT PARTS:**WARNING:**

Electrical, ignition and fuel system components on PCM Engines are designed and manufactured to comply with U.S. Coast Guard rules and regulations to minimize risks of fire or explosion.

Use of replacement electrical, ignition and fuel system components which do not comply with these rules and regulations could result in a fire or explosion hazard and should be avoided.

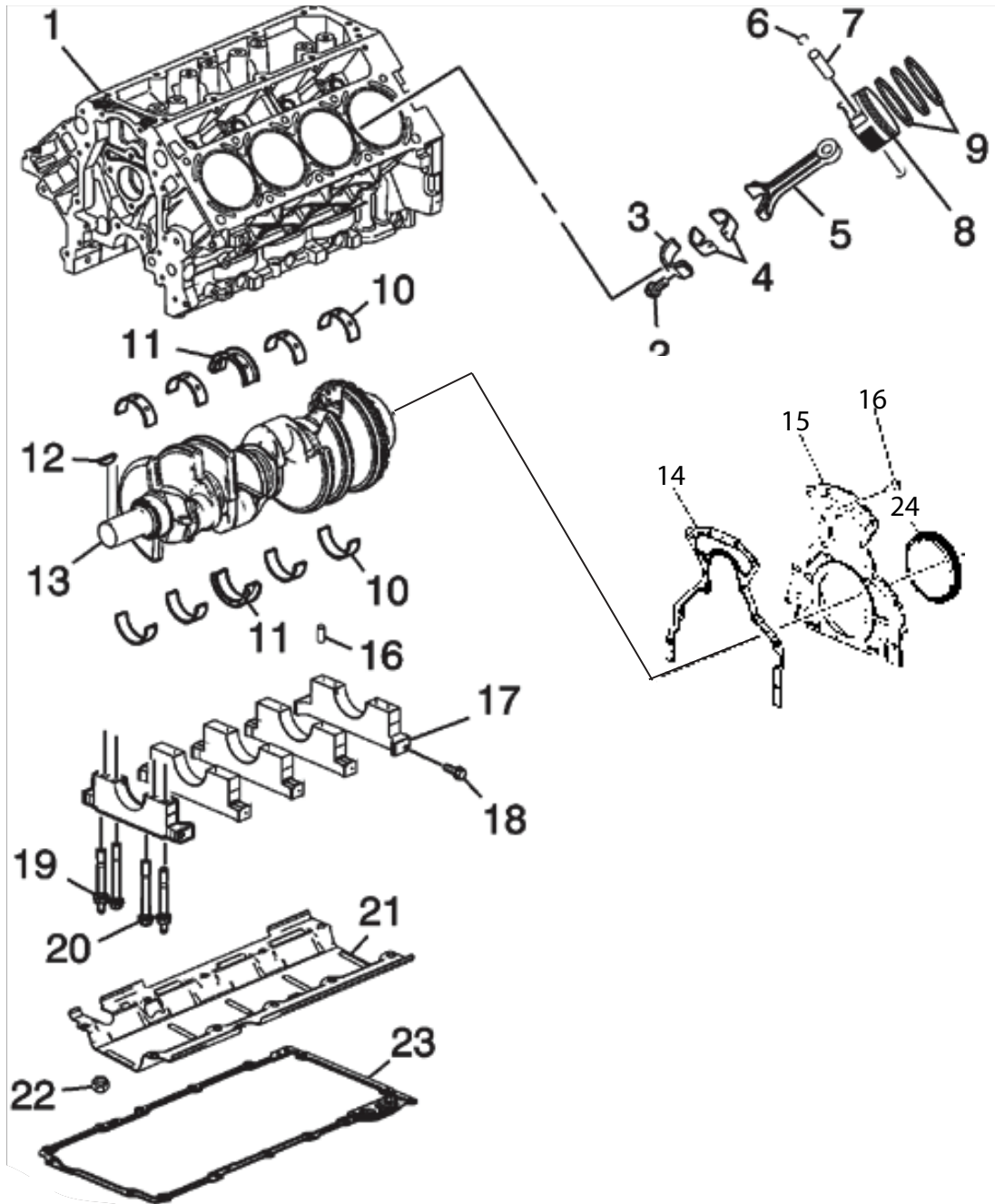
MAINTENANCE ITEM PART NUMBERS:

| Description | Part Number |
|---|-------------|
| Oil Filter | R077001 |
| Fuel Filter, Primary (Fuel Water Separator) | R077019 |
| Fuel Filter (FCC) | RP080026 |
| Spark Plugs | RP030012 |
| Spark Plug Wire Set | RK120021 |
| Serpentine Drive Belt (accessory) | R066038 |
| Serpentine Drive Belt (supercharger) | R066037 |
| Raw Water Pump Impeller Kit | RP061022 |
| Thermostat, CES engines, Freshwater | R026007 |

MARINE TRANSMISSIONS:

PCM Engines are equipped with PCM Transmissions, standard or "V"-drive. If transmission parts are required, contact Pleasurecraft Engine Group for required parts.

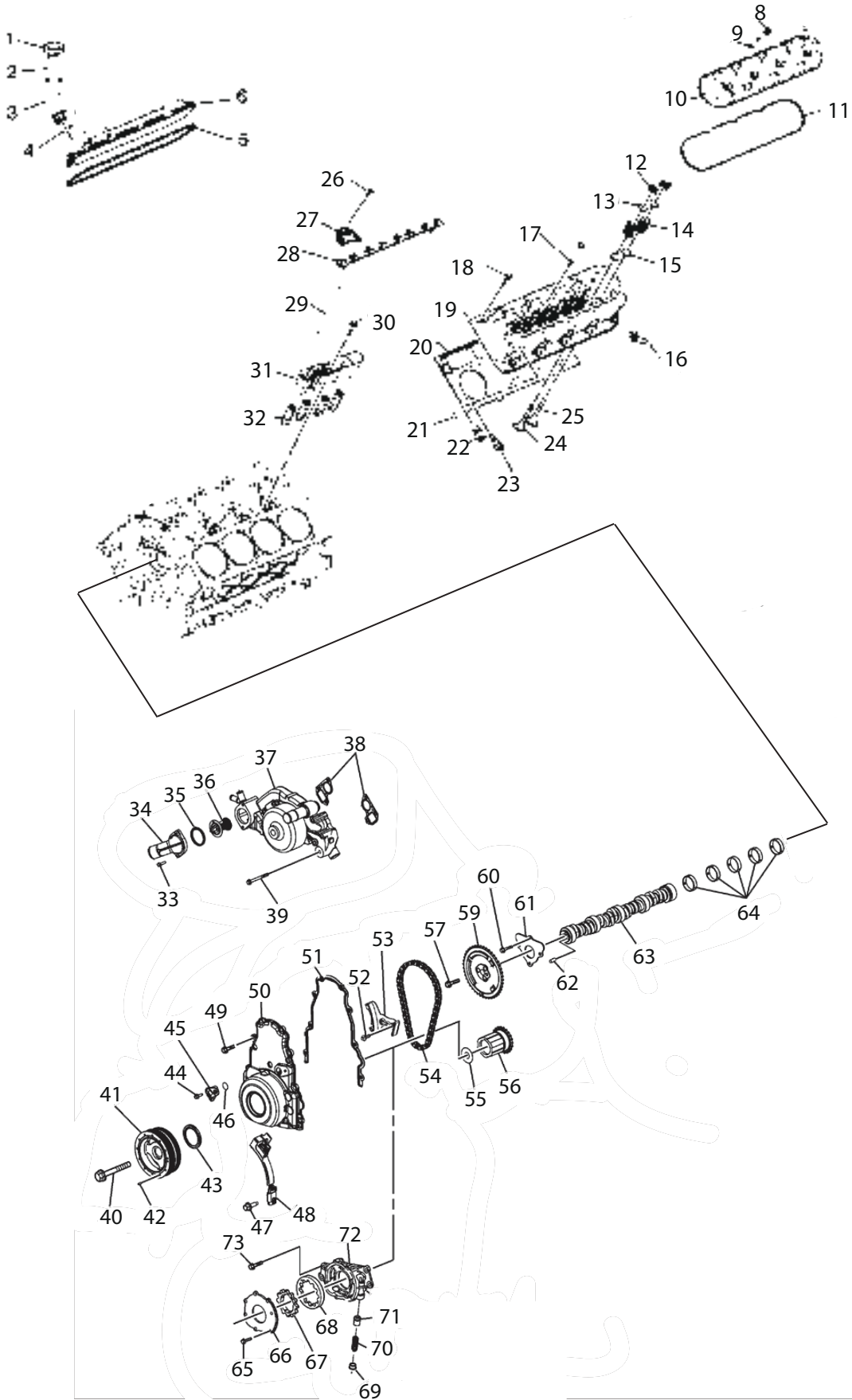
CYLINDER BLOCK ASSEMBLY



CYLINDER BLOCK ASSEMBLY

| ITEM | PART NO. | QTY. | DESCRIPTION | MODEL ID |
|------|----------|------|---|----------|
| *NI | RB001023 | | Base Engine Assembly, | |
| 1 | NSS | 1 | Block, Assembly | |
| 2 | TBD | 8 | Bolt, Connecting rod | |
| 3 | TBD | 8 | Cap, Connecting rod, (STD) | |
| 4 | R015016 | 8 | Bearing, Connecting rod (STD) | |
| 5 | RA011014 | 8 | Connecting Rod (STD) includes cap bolt bushing | |
| 6 | TBD | 8 | Clip, Wrist pin | |
| 7 | TBD | 8 | Wrist pin, | |
| 8 | TBD | 8 | Piston, (STD) | |
| 9 | TBD | 8 | Rings, (STD) | |
| 10 | TBD | 4 | Bearings, Crankshaft | |
| 11 | TBD | 1 | Bearing, Main thrust | |
| 12 | TBD | 1 | Keyway, | |
| 13 | TBD | 1 | Crankshaft | |
| 14 | TBD | 1 | Gasket, Rear seal cover | |
| 15 | TBD | 1 | Cover, Rear seal | |
| 16 | TBD | 1 | Bolt, Rear cover attaching | |
| 17 | TBD | 5 | Cap, crankshaft bearing | |
| 18 | TBD | 10 | Bolt, crankshaft bearing cap side | |
| 19 | TBD | 10 | Bolt, Main bearing cap | |
| 20 | TBD | 10 | Bolt, Main bearing cap | |
| 21 | TBD | 1 | Baffle, Oil pan | |
| 22 | TBD | 1 | Nut, Baffel retaining | |
| 23 | TBD | 1 | Gasket, Oil pan | |
| 24 | TBD | 1 | Seal, Rear main | |

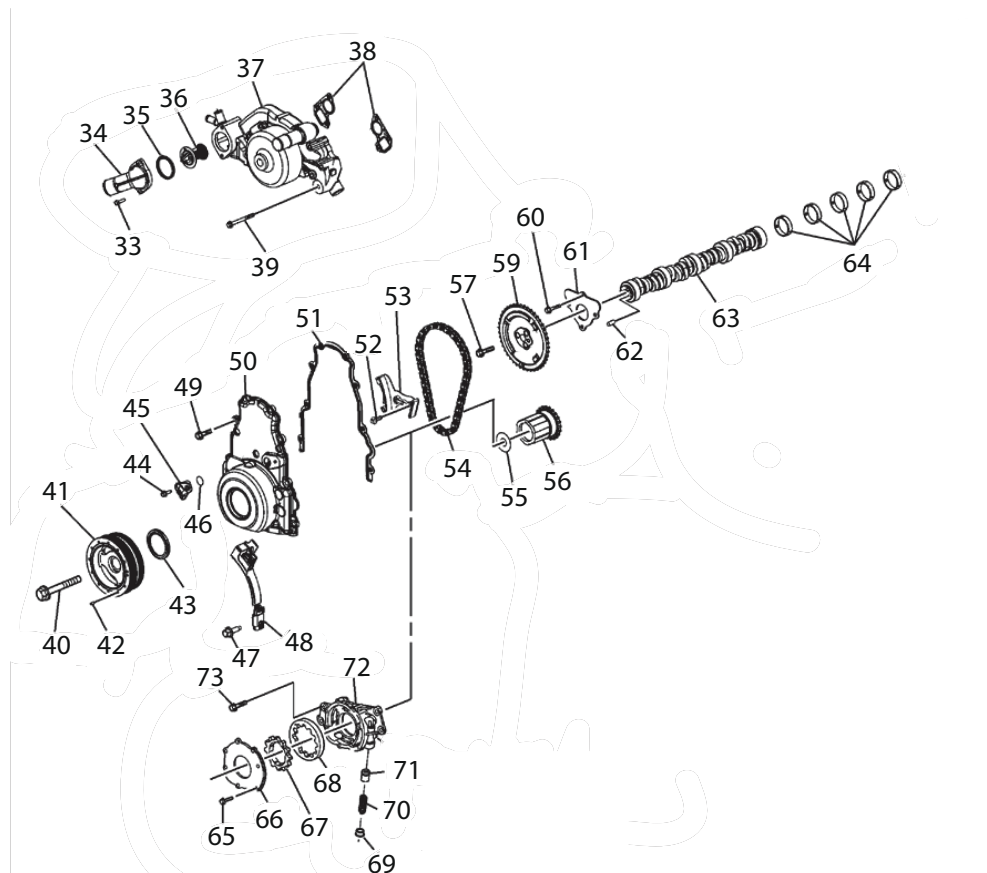
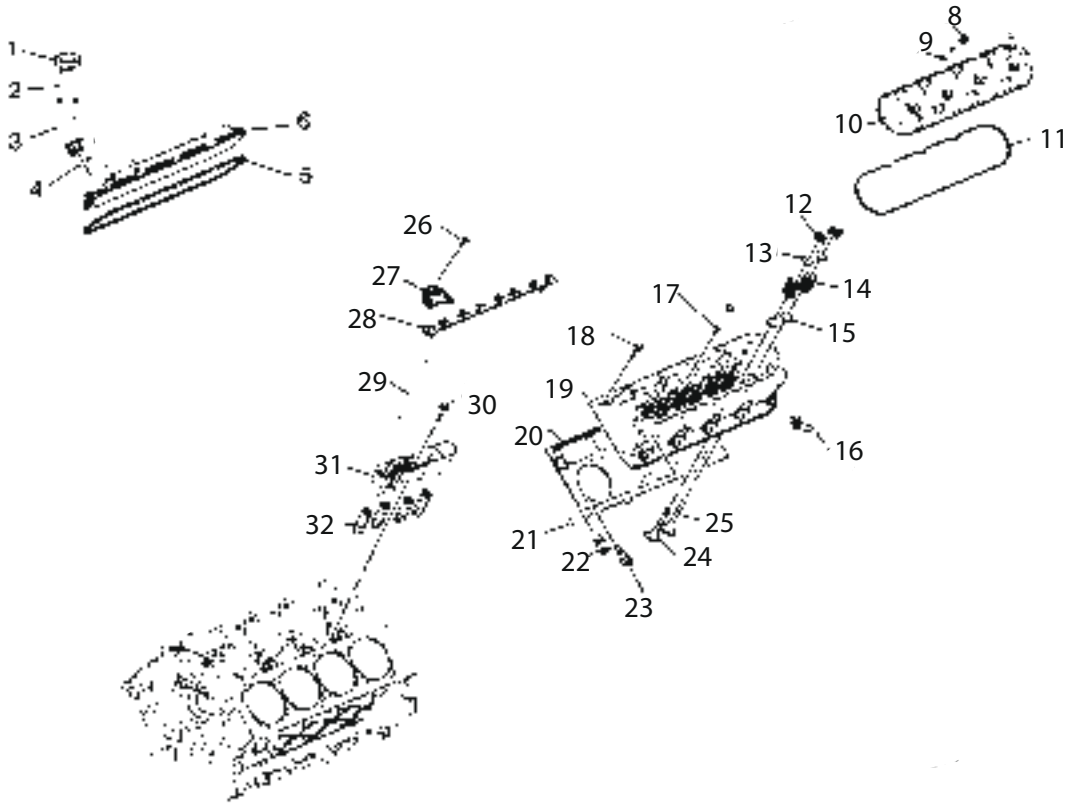
CYLINDER HEAD ASSEMBLY / FRONT COVER



CYLINDER HEAD ASSEMBLY / FRONT COVER

| ITEM | PART NO. | QTY. | DESCRIPTION | MODEL ID |
|------|----------|------|---|----------|
| 1 | TBD | 1 | Cap , Oil fill | |
| 2 | NSS | 1 | O'ring , Oil fill cap | |
| 3 | TBD | 1 | Tube , Oil fill | |
| 4 | TBD | 1 | O'ring | |
| 5 | TBD | 2 | Gasket , Valve cover | |
| 6 | RA033018 | 1 | Cover , Valve, oil fill | |
| 7 | | | | |
| 8 | TBD | 8 | Bolt, Valve cover attaching | |
| 9 | TBD | 8 | Seal , | |
| 10 | RA033019 | 1 | Cover , Valve | |
| 11 | TBD | 1 | Gasket , Valve cover | |
| 12 | TBD | 16 | Key, Valve stem | |
| 13 | TBD | 16 | Cap, Valve spring | |
| 14 | TBD | 16 | Spring, Valve | |
| 15 | TBD | 16 | Seal, Valve stem seal | |
| 16 | RP030012 | 8 | Spark Plug | |
| 17 | TBD | 0 | Bolt , Cylinder head attaching | |
| 18 | TBD | 0 | Spark Plug Wire Set | |
| 19 | R020046 | 2 | Cylinder , Head | |
| 20 | TBD | 2 | Gasket , Cylinder head | |
| 21 | TBD | 0 | Pin , Cylinder head locating | |
| 22 | TBD | 0 | Plug , Cylinder head | |
| 23 | TBD | 0 | Sensor , Coolant temp | |
| 24 | R043041 | 8 | Valve , Intake | |
| 25 | R043042 | 8 | Valve , Exhaust | |
| 26 | TBD | 16 | Bolt , Valve rocker arm attaching | |
| 27 | TBD | 16 | Rocker arm , valve | |
| 28 | TBD | 2 | Guild , Valve rocker arm | |
| 29 | R039024 | 16 | Push rod , Valve | |
| 30 | TBD | 8 | Bolt , Valve lifter retainer | |
| 31 | TBD | 8 | Retainer , Valve lifter | |
| 32 | R004007 | 16 | Lifter , Valve | |
| 33 | TBD | 2 | Bolt , Water neck attaching | |
| 34 | TBD | 1 | Water neck | |
| 35 | TBD | 1 | Gasket , Water neck housing | |
| 36 | R069073 | 1 | Cup Plug , 30 mm | |
| 37 | RA057040 | 1 | Pump , Water circulation, includes gaskets | |
| 38 | RM0281 | 2 | Gasket , Circulation pump to block | |
| 39 | TBD | 1 | Bolt , Circulation pump attaching | |
| 40 | TBD | 1 | Bolt , Crankshaft balancer | |
| 41 | TBD | 1 | Balancer , Crankshaft | |
| 42 | NSS | | Balancer Weight , No service | |
| 43 | TBD | 1 | Seal , Balancer | |
| 44 | TBD | 1 | Bolt , Camshaft sensor | |
| 45 | TBD | 1 | Sensor , Camshaft | |

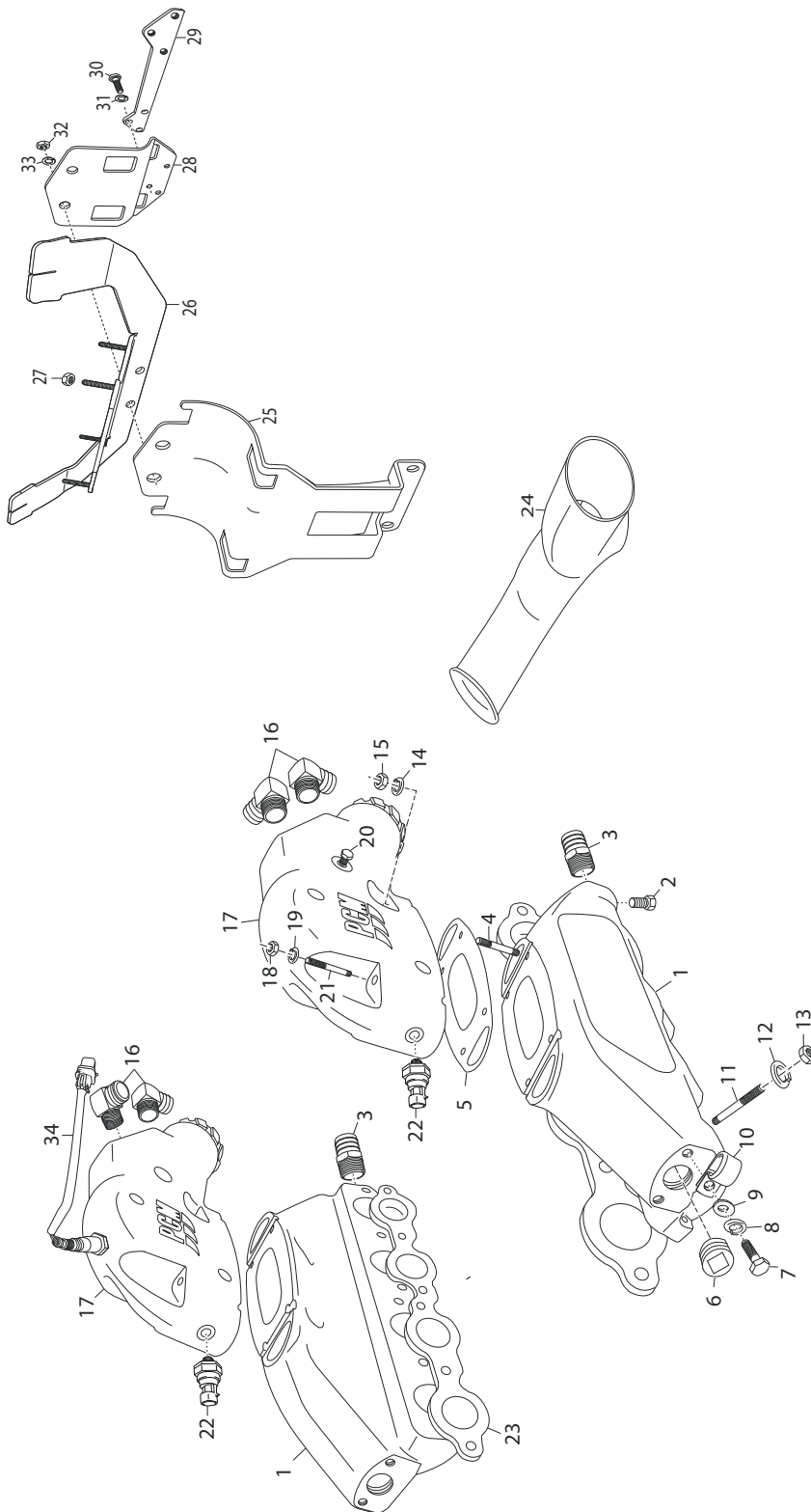
CYLINDER HEAD ASSEMBLY / FRONT COVER



CYLINDER HEAD ASSEMBLY / FRONT COVER

| ITEM | PART NO. | QTY. | DESCRIPTION | MODEL ID |
|------|----------|------|--|----------|
| 46 | TBD | 1 | Seal , Camshaft sensor | |
| 47 | TBD | 1 | Bolt , Camshaft sensor wire harness | |
| 48 | TBD | 1 | Harness , Cam sesnor | |
| 49 | TBD | 1 | Bolt , Timing cover attaching | |
| 50 | TBD | 1 | Cover , Timing chain | |
| 51 | TBD | 1 | Gasket , Timing cover | |
| 52 | TBD | 1 | Bolt , Timing chain tensioner | |
| 53 | TBD | 1 | Tensioner , Timing chain | |
| 54 | TBD | 1 | Chain , Timing | |
| 55 | TBD | 1 | Washer , Carnkshaft balancer | |
| 56 | TBD | 1 | Gear , Timing, lower | |
| 57 | TBD | 1 | Bolt , Timing gear attaching | |
| 58 | | 1 | | |
| 59 | TBD | 1 | Gear , Timing upper | |
| 60 | TBD | 1 | Bolt , Camshaft retainer | |
| 61 | TBD | 1 | Retainer , Camshaft | |
| 62 | TBD | 1 | Dowel , Camshaft | |
| 63 | TBD | 1 | Camshaft | |
| 64 | TBD | 5 | Bearing Set , camshaft R051040C x 2 R051010 x 2 | |
| 65 | TBD | 1 | Bolt , Oil pump | |
| 66 | TBD | 1 | Pump , Oil | |
| 67 | TBD | 1 | Gear , Oil pump drive | |
| 68 | TBD | 1 | Gear , Oil pump drive | |
| 69 | TBD | 1 | Plug , Oil pressure relief valve | |
| 70 | TBD | 1 | Spring , Oil pressure relief valve | |
| 71 | TBD | 1 | Valve , Oil pressure relief | |
| 72 | TBD | 1 | Pump , Engine oil | |

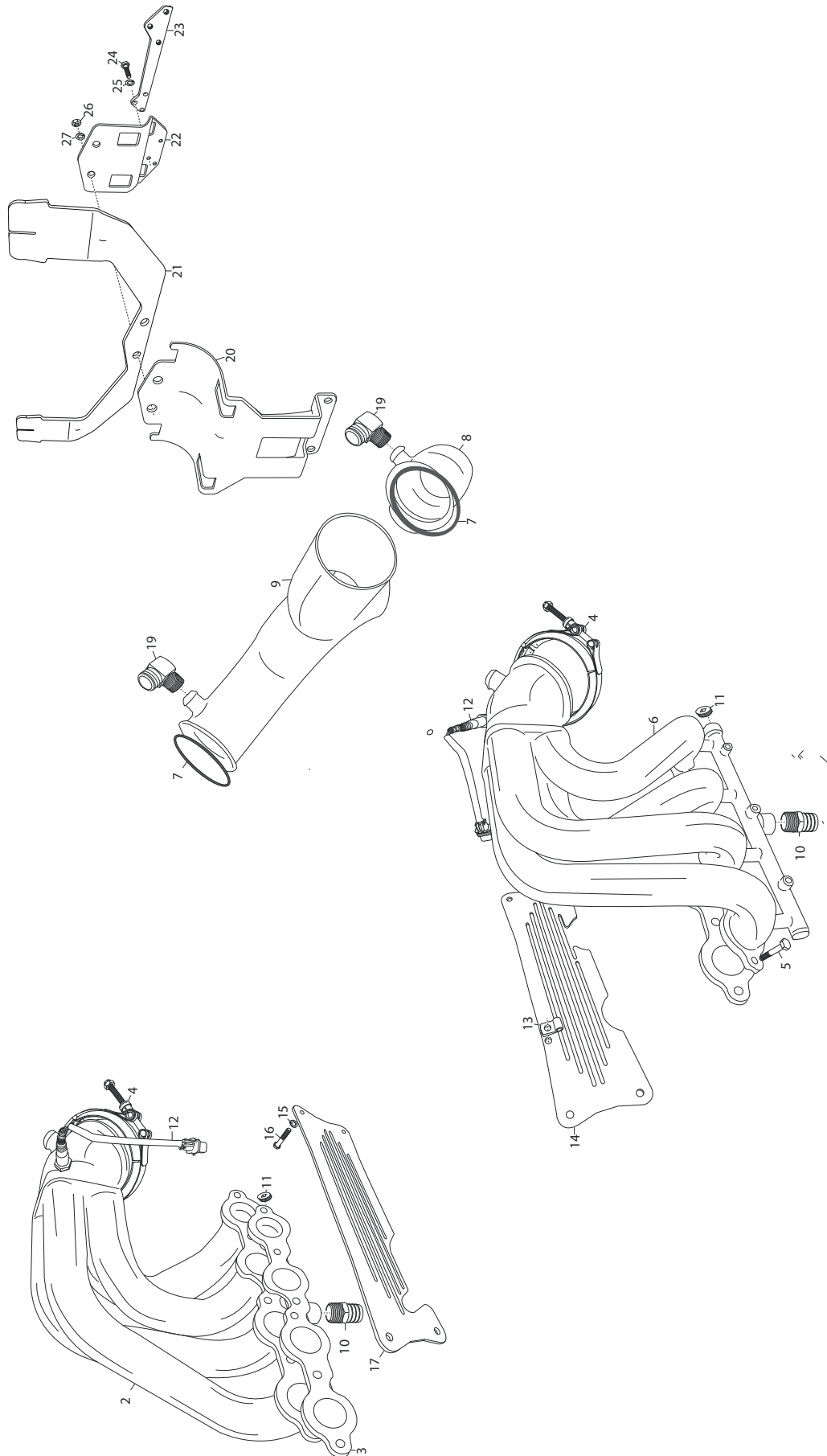
EXHAUST MANIFOLD AND COMPONENTS- XR MODEL



EXHAUST MANIFOLD AND COMPONENTS- XR MODEL

| ITEM | PART NO. | QTY. | DESCRIPTION | MODEL ID |
|------|----------|------|---|----------|
| 1 | R028023A | 2 | Manifold , Exhaust | |
| 2 | RS3557 | 4 | Plug , 3/8 | |
| 3 | R024073 | 2 | Connector , Hose 3/4 NPT | |
| 4 | R031036 | 4 | Stud , Elbow to manifold | |
| 5 | RM0274A | 2 | Gasket , Exhaust manifold | |
| 6 | RS3533 | 2 | Plug , 3/4 NPT | |
| 7 | RS0279 | 2 | Bolt , 5/16 x 5/8 | |
| 8 | RS2179 | 2 | Lockwasher , 5/16 | |
| 9 | 92200000 | 2 | Washer , Flat 5/16 | |
| 10 | R127103 | 1 | Clamp , | |
| 11 | R031035 | 12 | Stud , Manifold to cylinder head | |
| 12 | RS2179 | 12 | Lockwasher , 5/16 | |
| 13 | RS7026 | 12 | Nut , M8 x 1.25 | |
| 14 | RS2180 | 8 | Lockwasher , 3/8 | |
| 15 | 95310000 | 8 | Nut | |
| 16 | R024006A | 4 | Elbow , 3/4 NPT x 1" hose barb | |
| 17 | R029016B | 2 | Elbow , Exhaust | |
| 18 | 95310000 | 8 | Nut , 3/8 x 24 | |
| 19 | RS2180 | 8 | Lockwasher , 3/8 | |
| 20 | RS3539 | 2 | Plug , | |
| 21 | R031037 | 4 | Stud , Elbow | |
| 22 | R020019 | 2 | Sender , water temp | |
| 23 | RM0276 | 2 | Gasket , Exhaust manifold to cylinder head | |
| 24 | R133005 | 1 | Crossover , Exhaust | |
| 25 | R090391 | 1 | Bracket , Heat exchanger mounting | |
| 26 | R090410 | 1 | Bracket , Degas, ECM mounting | |
| 27 | R090391 | 1 | Bracket , Heat exchanger mounting | |
| 28 | R090410 | 1 | Bracket , Degas, ECM mounting | |
| 29 | R090394 | 1 | Bracket , Intercooler cooler | |
| 30 | 98334014 | 3 | Bolt , | |
| 31 | 93934000 | 3 | Washer , | |
| 32 | 97444000 | 2 | Nut , | |
| 33 | 93944000 | 2 | Lockwasher , | |
| 34 | R020056 | 2 | Sensor , Wide range 02 | |

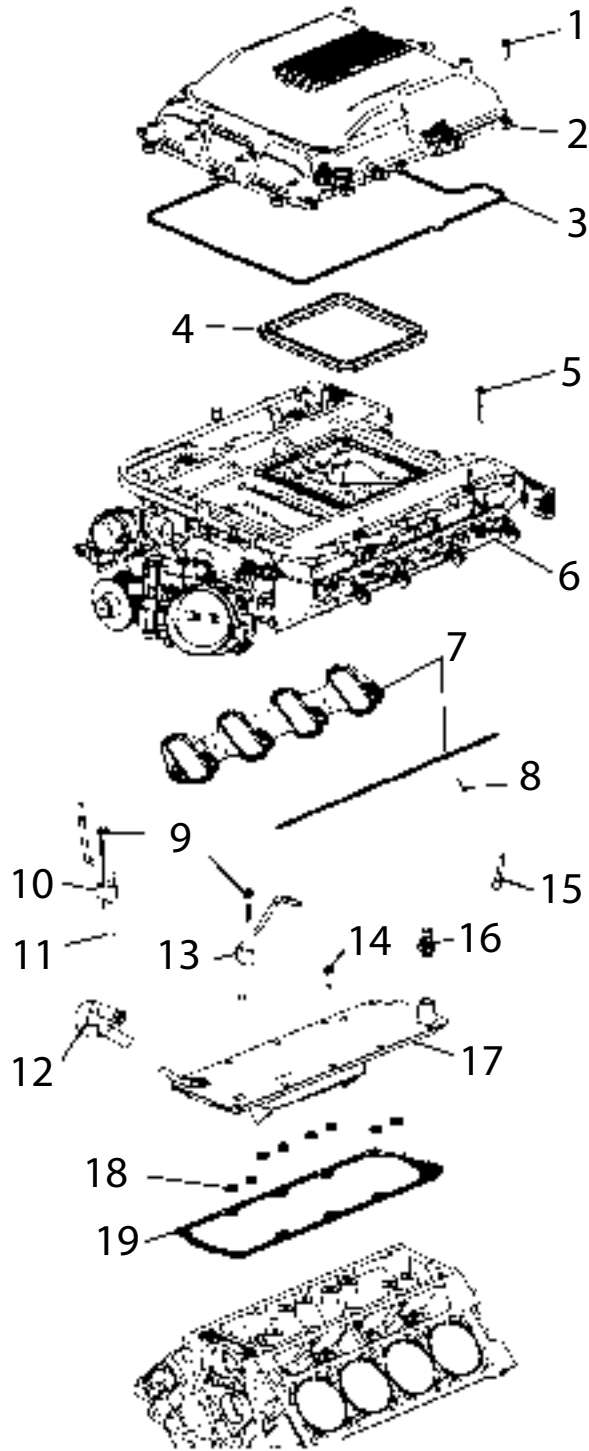
EXHAUST MANIFOLD AND COMPONENTS- XS MODEL



EXHAUST MANIFOLD AND COMPONENTS- XS MODEL

| ITEM | PART NO. | QTY. | DESCRIPTION | MODEL ID |
|------|-------------|------|---|----------|
| 1 | RK028029-30 | 1 | Kit, LSA Exhaust, includes 2,3,4,5,6,7,8,9 | |
| 2 | NSS | 1 | Manifold, Exhaust | |
| 3 | NSS | 1 | Gasket, Exhaust Manifold to cylinder head | |
| 4 | NSS | 2 | Clamp, Manifold to crossover | |
| 5 | NSS | 1 | Bolt, Manifold attaching | |
| 6 | NSS | 1 | Manifold, Exhaust | |
| 7 | NSS | 1 | Gasket, Manifold to crossover | |
| 8 | NSS | 1 | Corner, Exhaust | |
| 9 | NSS | 1 | Y-pipe, Exhaust crossover | |
| 10 | R024073 | 2 | Connector, Hose | |
| 11 | RS3533 | 2 | Plug, Pipe | |
| 12 | R020056 | 2 | Sensor, 02 wide band | |
| 13 | R127039 | 1 | Clamp | |
| 14 | R109060 | 1 | Plate, Rocker cover | |
| 15 | RS2178 | 9 | Lockwasher | |
| 16 | 99225016 | 9 | Bolt, | |
| 17 | R109059 | 1 | Plate, Rocker cover | |
| 18 | | | | |
| 19 | R024006A | 2 | Elbow, 3/4 NPT | |
| 20 | R090391 | 1 | Bracket, Heat exchanger mounting | |
| 21 | R090406 | 1 | Bracket, Degas rear mounting | |
| 22 | R090394 | 1 | Bracket, Intercooler cooler | |
| 23 | R090359A | 1 | Bracket, Remote oil filter | |
| 24 | 98334014 | 3 | Screw | |
| 25 | 93934000 | 3 | Washer | |
| 26 | 97444000 | 2 | Nut, | |
| 27 | 93944000 | 2 | Lockwasher, | |

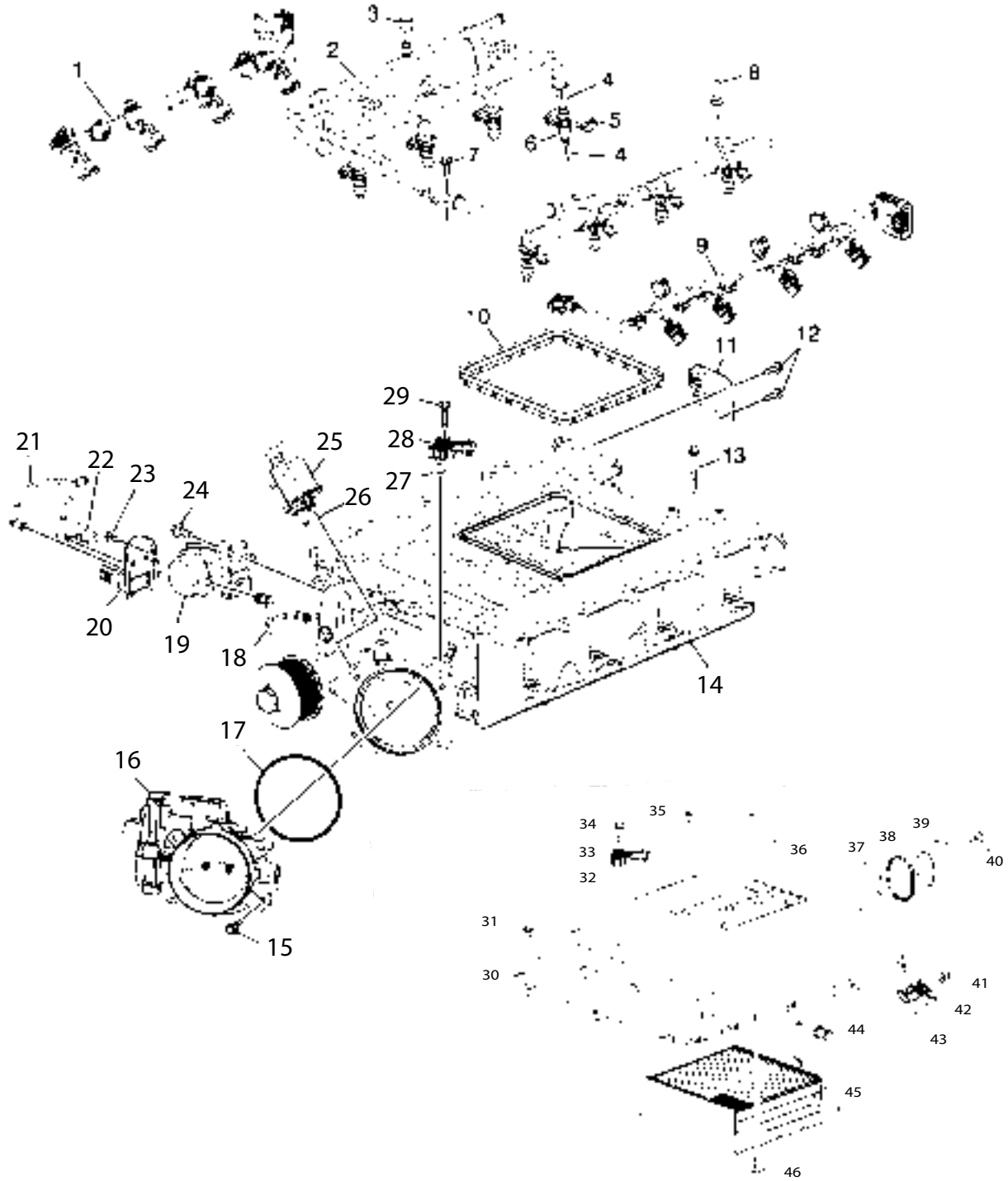
INTAKE MANIFOLD COMPONENTS



INTAKE MANIFOLD COMPONENTS

| ITEM | PART NO. | QTY. | DESCRIPTION | MODEL ID |
|------|----------|------|--|----------|
| 1 | TBD | 1 | Bolt , Supercarger cover | |
| 2 | TBD | 1 | Cover , Charge air cooler (specify Black or Red) | |
| 3 | TBD | 1 | Seal , Charge air cooler cover | |
| 4 | TBD | 1 | Insulator , Charge air cooler | |
| 5 | TBD | 1 | Gasket , cover | |
| 6 | RA053004 | 1 | Supercharger Assembly | |
| 7 | TBD | 1 | Gasket , Intake manifold | |
| 8 | TBD | 1 | Rivet , Intake manifold gasket | |
| 9 | TBD | 1 | Bolt , Engine coolant air bleed pipe | |
| 10 | TBD | 1 | Pipe , Engine coolant air bleed | |
| 11 | TBD | 1 | Seal , Engine coolant air bleed | |
| 12 | TBD | 1 | Hose , PVC | |
| 13 | TBD | 1 | Pipe , Engine coolant air bleed | |
| 14 | TBD | 1 | Bolt , Valley cover | |
| 15 | TBD | 1 | Vent , Engine coolant air bleed | |
| 16 | TBD | 1 | Sensor , Engine oil pressure | |
| 17 | TBD | 1 | Cover , Valley | |
| 18 | TBD | 1 | Seal , Valley cover | |
| 19 | TBD | 1 | Gasket , Valley cover | |

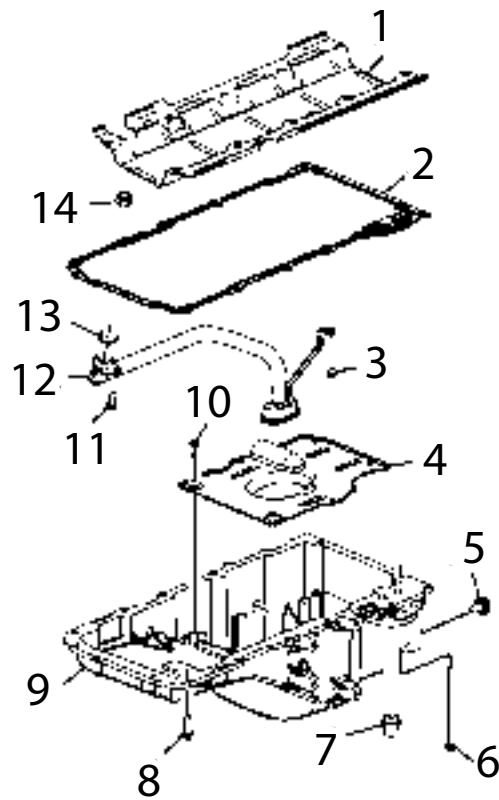
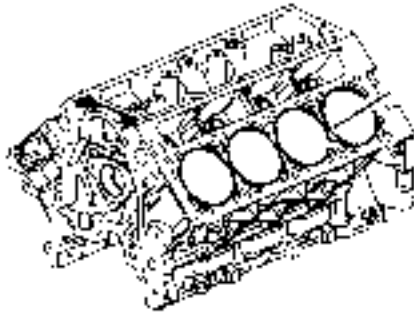
INTAKE MANIFOLD COMPONENTS



INTAKE MANIFOLD COMPONENTS

| ITEM | PART NO. | QTY. | DESCRIPTION | MODEL ID |
|------|----------|------|--|----------|
| 1 | TBD | 1 | Wire harness , Fuel injector | |
| 2 | TBD | 1 | Fuel rail , Multi port | |
| 3 | TBD | 1 | Cap , Fuel rail service port | |
| 4 | TBD | 1 | Seal , Fuel injector | |
| 5 | TBD | 8 | Retainer , Fuel injector | |
| 6 | TBD | 8 | Fuel injector | |
| 7 | TBD | 4 | Bolt , Fuel injector rail | |
| 8 | TBD | 1 | Stud , Fuel injector rail | |
| 9 | TBD | 1 | Wire harness , Fuel injector | |
| 10 | TBD | 1 | Insulator , Charge air cooler | |
| 11 | TBD | 1 | Bracket , Wiring harness connector | |
| 12 | TBD | 1 | Bolt , Wiring harness bracket | |
| 13 | TBD | 1 | Bolt , Supercharger mounting | |
| 14 | RA053004 | 1 | Supercharger Assembly | |
| 15 | TBD | 4 | Bolt , Throttle body | |
| 16 | TBD | 1 | Throttle body , Assembly | |
| 17 | TBD | 1 | O'ring , Throttle body | |
| 18 | TBD | 1 | Vacuum tube , Charge bypass | |
| 19 | TBD | 1 | Acuator , Supercharger bypass | |
| 20 | TBD | 1 | Bracket , Charge air bypass | |
| 21 | TBD | 1 | Tube , Bypass valve actuator | |
| 22 | TBD | 1 | Tube , Charge air bypass | |
| 23 | TBD | 1 | Bolt , Charge air bypass | |
| 24 | TBD | 1 | Bolt , Supercharger bypass actuator | |
| 25 | TBD | 1 | Valve , Emission canister purge valve | |
| 26 | TBD | 1 | Seal , Emission canister purge valve | |
| 27 | TBD | 1 | Seal , Supercharger inlet air pressure sensor | |
| 28 | TBD | 1 | Sensor , Supercharger inlet air pressure sensor | |
| 29 | TBD | 1 | Bolt , Supercharger inlet air pressure sensor | |
| 30 | TBD | 1 | Cover , Charge air cooler | |
| 31 | TBD | 1 | Bolt , Charge air cover attaching | |
| 32 | TBD | 1 | Seal , Barometric pressure sensor | |
| 33 | TBD | 1 | Sensor , Barometric pressure | |
| 34 | TBD | 1 | Bolt , Barometric pressure sensor | |
| 35 | TBD | 1 | | |
| 36 | TBD | 1 | Nameplate , | |
| 37 | TBD | 1 | Seal , Charge air cooler coolant pipe | |
| 38 | TBD | 1 | Seal , Charge air cooler coolant outlet pipe assembly | |
| 39 | TBD | 1 | Pipe Assembly , Charge air cooler outlet pipe | |
| 40 | TBD | 1 | Bolt , Charge air cooler retaining | |
| 41 | TBD | 1 | Bolt , Supercharger air outlet pressure sensor | |
| 42 | TBD | 1 | Sensor , Supercharger air outlet pressure | |
| 43 | TBD | 1 | Seal , Supercharger air outlet sensor | |
| 44 | R020062 | 1 | Sensor , Intake air | |
| 45 | RK147059 | 1 | Charge air cooler | |
| 46 | TBD | 4 | Bolt , Intercooler mounting | |

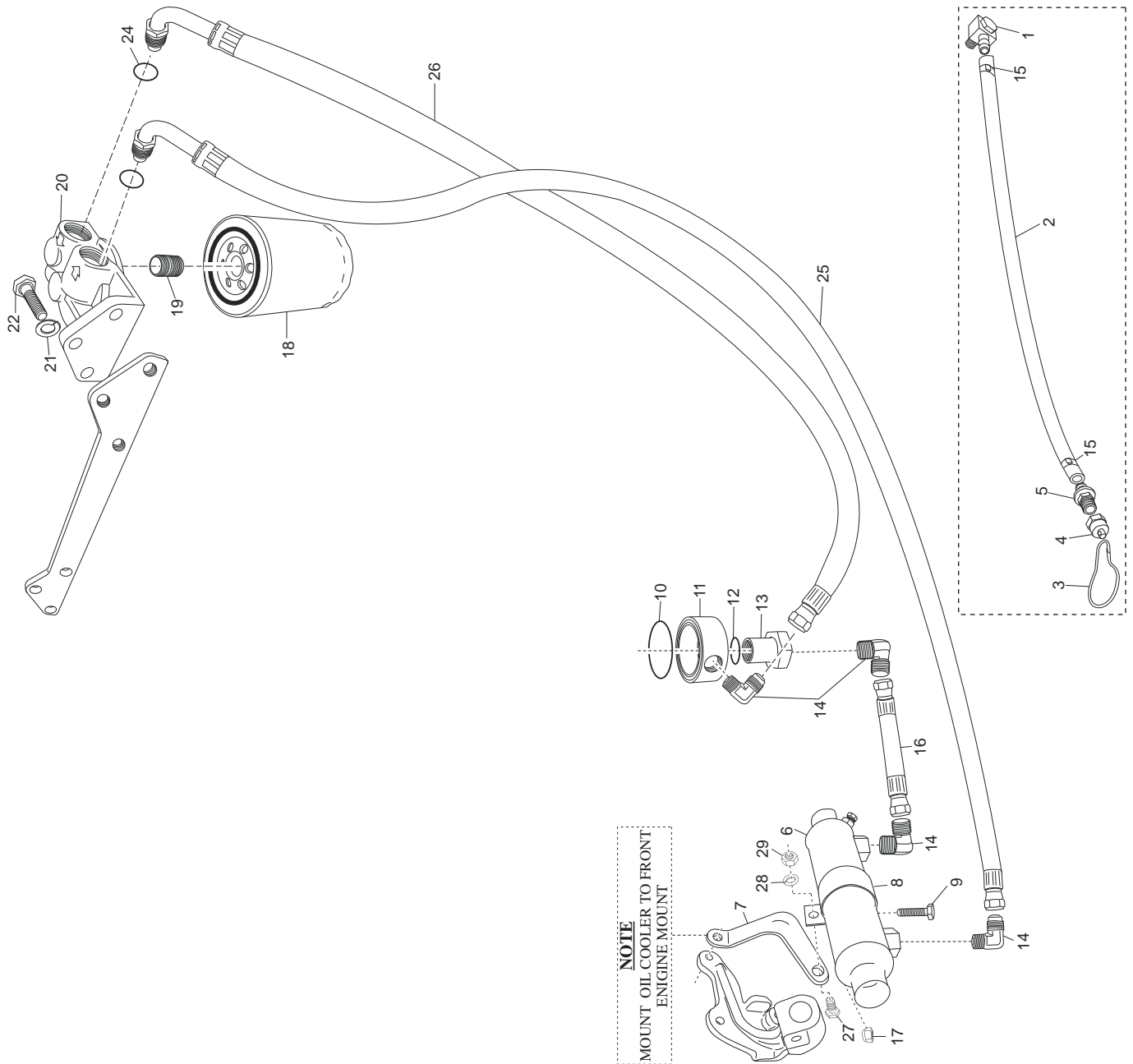
OIL PAN and OIL PUMP ASSEMBLY



OIL PAN and OIL PUMP ASSEMBLY

| ITEM | PART NO. | QTY. | DESCRIPTION | MODEL ID |
|------|----------|------|--|------------|
| 1 | TBD | 1 | Baffle , Oil pan | |
| 2 | TBD | 1 | Gasket , Oil pan | |
| 3 | TBD | 1 | Bolt , Oil pan pickup | |
| 4 | TBD | 1 | Baffle , Oil pan | |
| 5 | TBD | 1 | Plug , Oil pan drain | |
| 6 | TBD | 1 | Bolt , Oil pan attaching | |
| 7 | TBD | 1 | Adaptor , Oil filter | |
| 8 | TBD | 1 | Bolt , Oil pan attaching | |
| 9 | R005027 | 1 | Oil pan | 15-620/621 |
| 9A | R005027 | 1 | Oil pan , OEM specific | |
| 10 | TBD | 1 | Bolt , Baffle oil pan | |
| 11 | TBD | 1 | Bolt , Oil tube pickup | |
| 12 | TBD | 1 | Tube , Oil pump pick up | 15-620/621 |
| 12A | R074033 | 1 | Tube , Oil pump pick up, OEM specific | |
| 13 | TBD | 1 | O'ring , Oil pump pick up tibe | |
| 14 | TBD | 1 | Nut , Baffle attaching | |

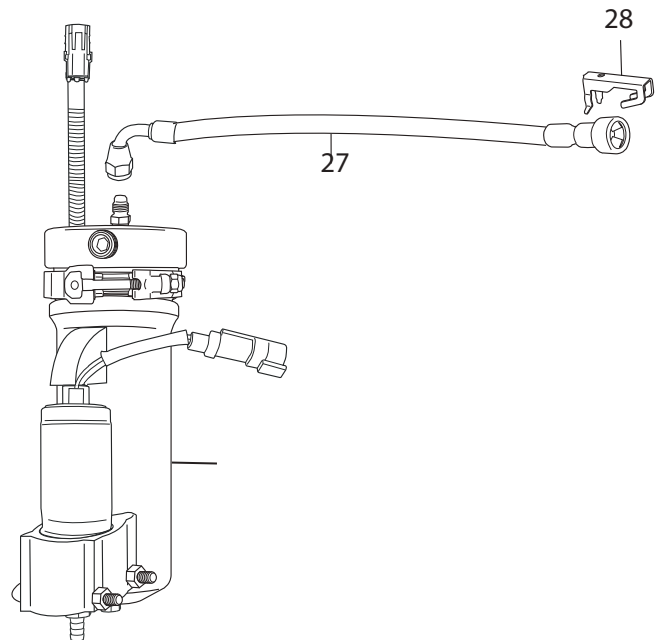
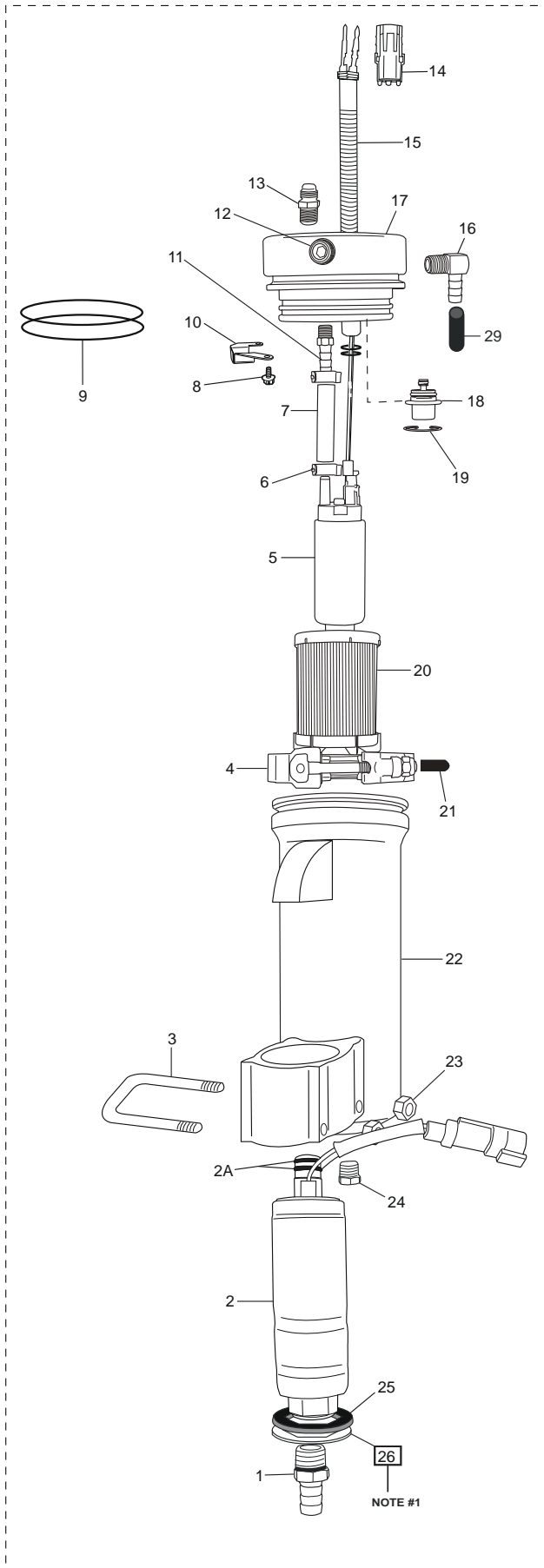
REMOTE OIL FILTER COMPONENTS



REMOTE OIL FILTER COMPONENTS

| ITEM | PART NO. | QTY. | DESCRIPTION | MODEL ID |
|------|-----------|------|-------------------------------------|----------|
| 1 | R024213 | 1 | Fitting, oil drain | |
| 2 | R045049 | 2 | Hose, 3/8 oil resistant | |
| 3 | R190123 | 1 | Hook, Oil drain hose | |
| 4 | R024066A | 1 | Cap, 1/4 pipe | |
| 5 | R024061 | 1 | Connector, Hose | |
| 6 | R147049 | 1 | Cooler, engine oil | |
| 6A | R143175 | 1 | Decal, "Hot", oil header | |
| 7 | R090404 | 1 | Bracket, Oil cooler | |
| 8 | R090010 | 1 | Bracket, oil cooler | |
| 9 | RS0256 | 1 | Bolt, 1/4 x 20 | |
| 10 | R047240 | 1 | O'ring, remote oil | |
| 11 | R079067 | 1 | Adaptor, remote oil | |
| 12 | R047202 | 1 | O'ring, remote oil | |
| 13 | R079075 | 1 | Retainer, remote oil | |
| 14 | R024184 | 4 | Fitting, elbow 1/2 NPT x 5/8 | |
| 15 | R127087C | 1 | Clamp, oetiker | |
| 16 | RA045103D | 1 | Hose assembly, | |
| 17 | RS2058 | 1 | Nut, | |
| 18 | R077001 | 1 | Filter, oil | |
| 19 | R024203 | 1 | Nipple, oil filter | |
| 20 | R079066 | 1 | Header, oil filter | |
| 21 | RS2179 | 3 | Lockwasher, | |
| 22 | 98333020 | 3 | Bolt, | |
| 23 | | | | |
| 24 | R047245 | 2 | O'ring, oil line | |
| 25 | RA045120D | 1 | Hose assembly | |
| 26 | RA045120F | 1 | Hose assembly | |
| 27 | RS0302 | 1 | Bolt, | |
| 28 | RS21080 | 1 | Lockwasher | |
| 29 | RS1028 | 1 | Nut, | |

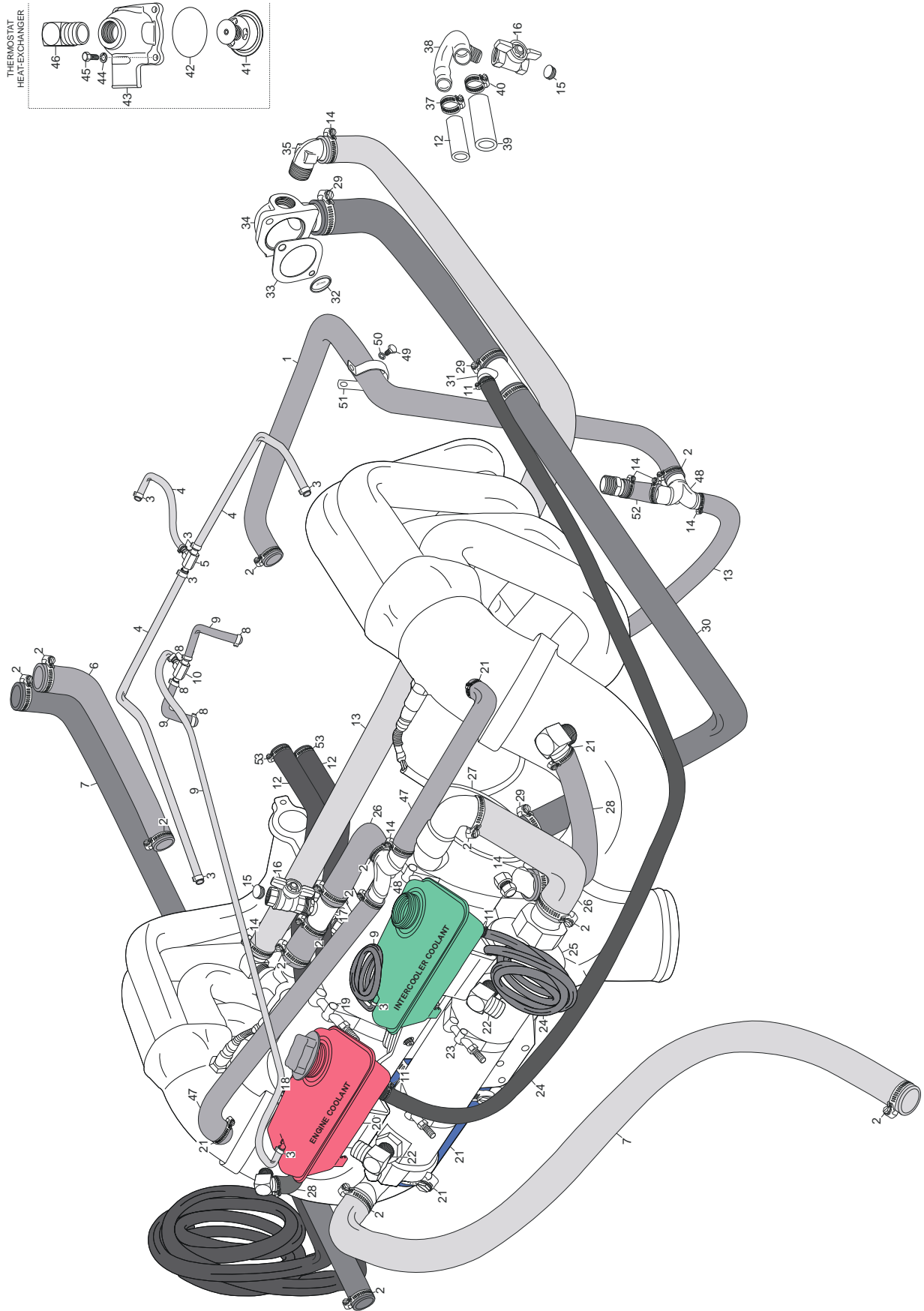
FUEL CONTROL CELL (FCC) COMPONENTS



FUEL CONTROL CELL (FCC) COMPONENTS

| ITEM | PART NO. | QTY. | DESCRIPTION | MODEL ID |
|------|-----------|------|--------------------------------------|----------|
| 1 | R024232 | 1 | Fitting , 3/8 barb | |
| 2 | RA080036 | 1 | Fuel Pump , Low pressure | |
| 2A | R047252 | 2 | O'ring , | |
| 3 | R127102 | 1 | Clamp , Fuel pump retention | |
| 4 | R127010 | 1 | Clamp , FCC canister | |
| 5 | RA080027 | 1 | Fuel Pump , High pressure | |
| 6 | R127087 | 2 | Clamp , Oetiker 5/8 | |
| 7 | R045098B | 1 | Hose , | |
| 8 | 91624025 | 2 | Screw , | |
| 9 | R047241 | 2 | O'ring , FCC caniter | |
| 10 | R012030 | 1 | Baffle , FCC | |
| 11 | R025219 | 1 | Fitting , 1/8 NPT | |
| 12 | RS3550 | 2 | Plug , Pipe | |
| 13 | R024163A | 1 | Fitting , 1/4 NPT | |
| 14 | 7172040 | 1 | Connector , | |
| 15 | R121085A | 1 | Harness , FCC passthru | |
| 16 | R024255 | 1 | Elbow , 1/4 NPT x3/8 barb | |
| 17 | R079070A | 2 | Head , FCC | |
| 18 | R088004 | 2 | Regulator , Fuel pressure | |
| 19 | R048070 | 1 | Retainer , ring | |
| 20 | R080026 | 1 | Filter , Feul water seperator | |
| 21 | R128002 | 1 | Cover , | |
| 22 | R089008 | 2 | Canister ,FCC | |
| 23 | 95004300 | 2 | Nut , | |
| 24 | R069077 | 1 | Plug , Pipe | |
| 25 | R094045 | 1 | Isolator , LPP pump | |
| 26 | RA080037A | 1 | FCC , Assembly | |
| 27 | RA085090F | 1 | Fuel line , FCC to rail | |
| 28 | R127100 | 1 | Retainer , Fuel line | |

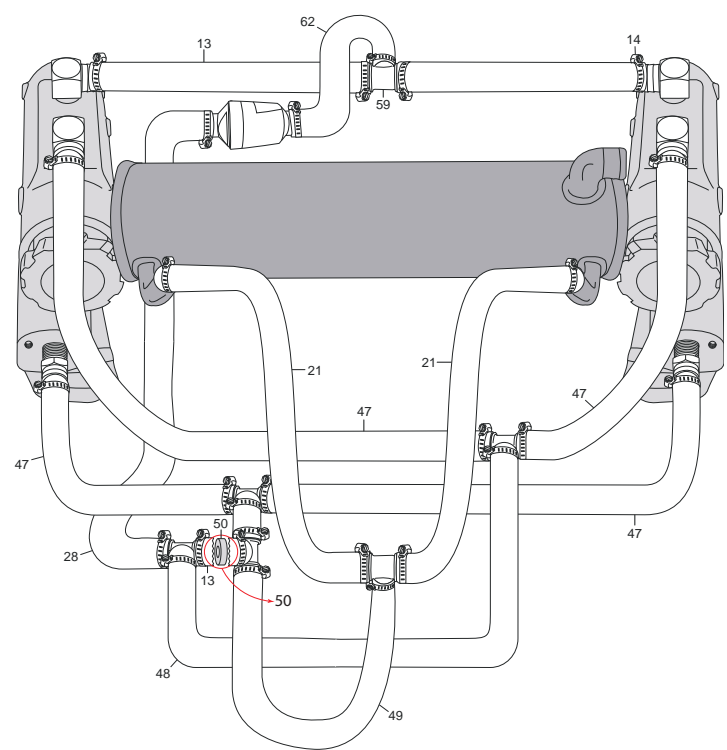
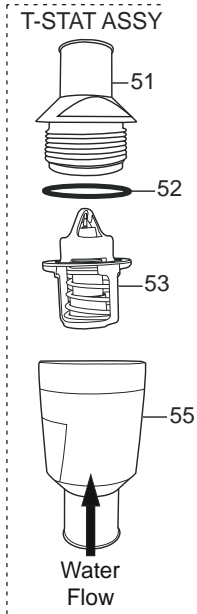
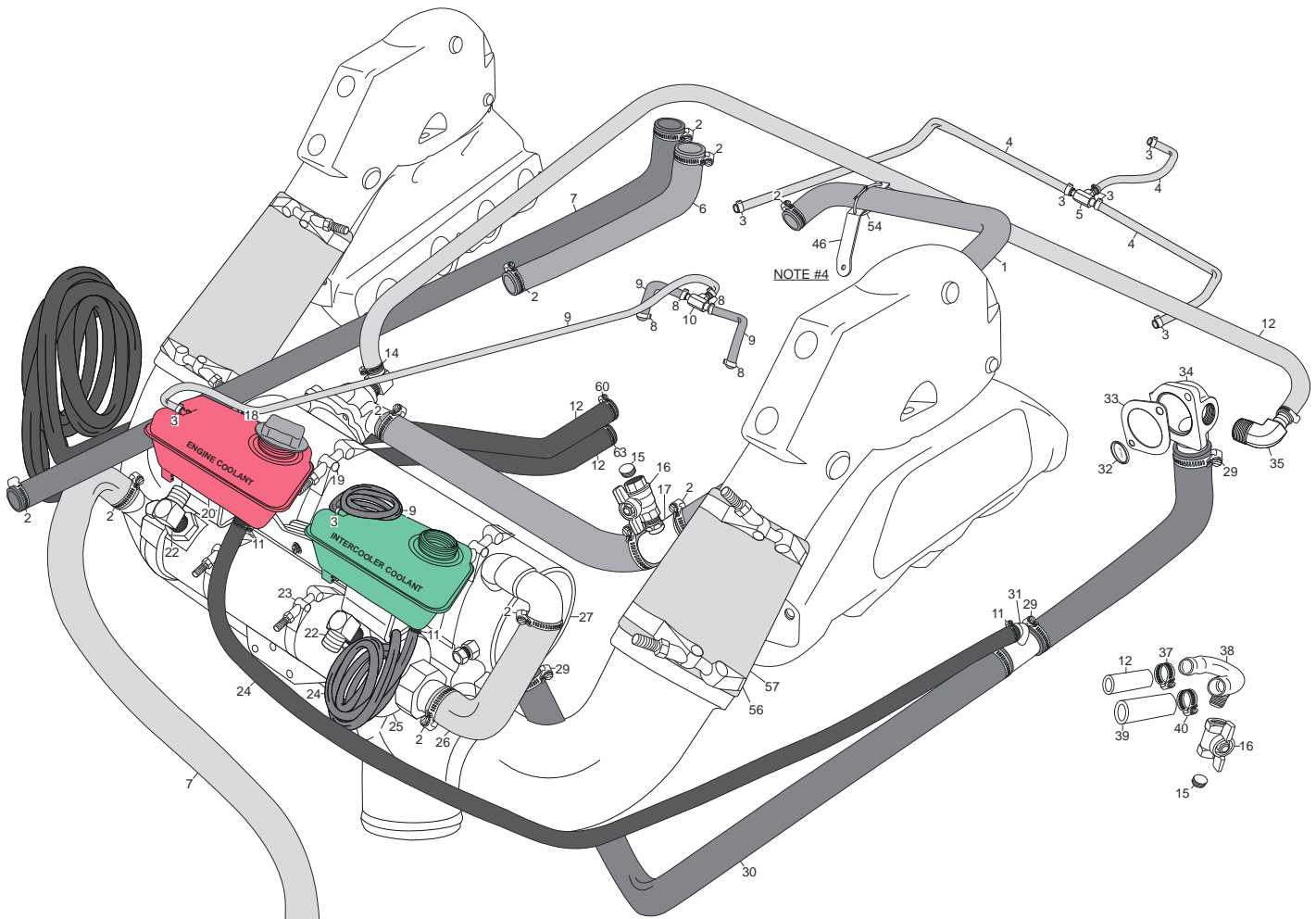
HEAT EXCHANGER and COMPONENTS - XS Engines



HEAT EXCHANGER and COMPONENTS - XS Engines

| ITEM | PART NO. | QTY. | DESCRIPTION | MODEL ID |
|------|-------------|------|---|----------|
| 1 | R045201 | 1 | Hose , circ pump to Heat Exchanger | |
| 2 | RS3858 | 14 | Clamp , hose #20 (1-1/4) | |
| 3 | R127087 | 7 | Clamp , Oetiker, 5/8 | |
| 4 | R045049 | 13ft | Hose , 3/8 oil resistant line | |
| 5 | R024257 | 1 | Fitting , Tee 3/8 x 3/8 x 3/8 | |
| 6 | R045152 | 1 | Hose , Cooler to RWP (v-drive) | |
| 7 | 20865 | 10ft | Hose , wire reinforced 1-1/4 | |
| 8 | R127087A | 5 | Clamp , Oetiker 1/2 | |
| 9 | R045132 | 15ft | Hose , 1/4 bulk, bottle to vent | |
| 10 | R024245 | 1 | Fitting , Tee 1/4 hose barb | |
| 11 | RS3854 | 3 | Clamp , Hose #12 (7/8) | |
| 12 | 20806 | 15ft | Hose , Bulk HTR 5/8 | |
| 13 | R045107 | 10ft | Hose , 1" ID | |
| 14 | RS3851 | 12 | Clamp , Hose #16 | |
| 15 | 444705 | 2 | Pipe Plug | |
| 16 | R035039A | 2 | Valve , Ball 1/2 x 1/2 | |
| 17 | R024249A | 1 | Fitting , Tee 1-1/4 x 1/2 | |
| 18 | R034035 | 2 | Cap , Degas Bottle | |
| 19 | R171009 | 2 | Clamp , Heat Exchanger mounting | |
| 20 | R146001 | 2 | Bottle , Degas | |
| 21 | RK028029-30 | | Kit , 6.2L S/C Exhaust | |
| 22 | R024126 | 2 | Elbow , 1/2 x 5/8 | |
| 23 | RS3866 | 2 | Clamp , Hose #52 | |
| 24 | R045153 | 14ft | Hose , 3/4 Bulk" | |
| 25 | RA147055 | 1 | Cooler , Intercooler 3" x 12" | |
| 26 | 18402 | 2 | Hose , preformed | |
| 27 | RA147054A | 1 | Heat Exchanger 6.2L S/C | |
| 28 | R045190 | 2 | Hose | |
| 29 | RS3868 | 4 | Clamp , Hose #24 | |
| 30 | R045202 | 1 | Hose , Heat Exchanger to Circ Pump | |
| 31 | R024250 | 1 | Fitting , Tee 1-1/2x 1-1/2 x 3/4 | |
| 32 | R0069073 | 1 | Cap , Plug 30mm | |
| 33 | RM0275 | 1 | Gasker , Thermostat | |
| 34 | R025036 | 1 | Housing , Thermostat | |
| 35 | 727003 | 1 | Elbow , 90 degree | |
| 36 | | | | |
| 37 | R127087G | 2 | Clamp , Oetiker 1" | |
| 38 | R024210B | 1 | U-tube , circ pump | |
| 39 | R045153 | 1 | Hose , 3/4 Bulk | |
| 40 | R127087G | 2 | Clamp , Oetiker | |
| 41 | R026007 | 1 | Thermostat , 170 Degree w/hole | |
| 42 | R047256 | 1 | Oring , Thermostat Housing | |
| 43 | R025045 | 1 | Housing , Thermostat | |
| 44 | 93920000 | 4 | Lockwasher M6 | |
| 45 | 98223016 | 4 | Bolt , M6 x 16 | |
| 46 | R024006A | 1 | Elbow , 3/4 NPT x 1" barb | |
| 47 | R045187 | 1 | Hose , | |
| 48 | R024054D | 2 | Fitting , Tee 1 x 1 x 1-1/4 | |
| 49 | 98443025 | 1 | Bolt , M10 x 1.5 x 25 | |
| 50 | 93940000 | 1 | Washer , M10 | |
| 51 | R127103 | 1 | Clamp , | |
| 52 | R045124 | 1 | Hose , | |
| 53 | RS3864 | 2 | Clamp , Hose # 8 | |

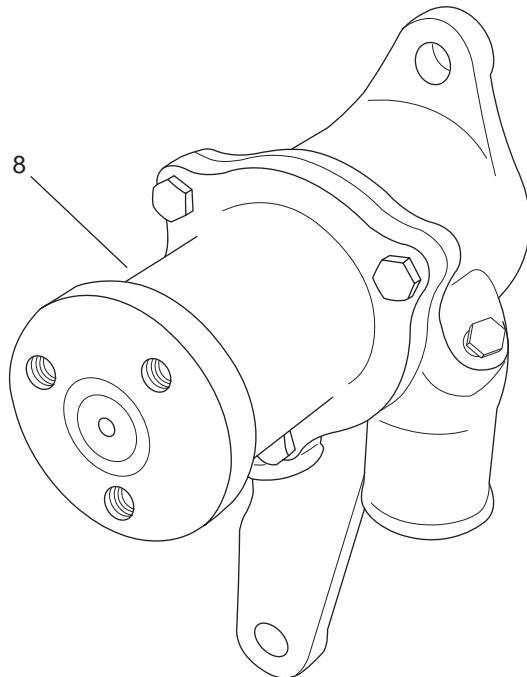
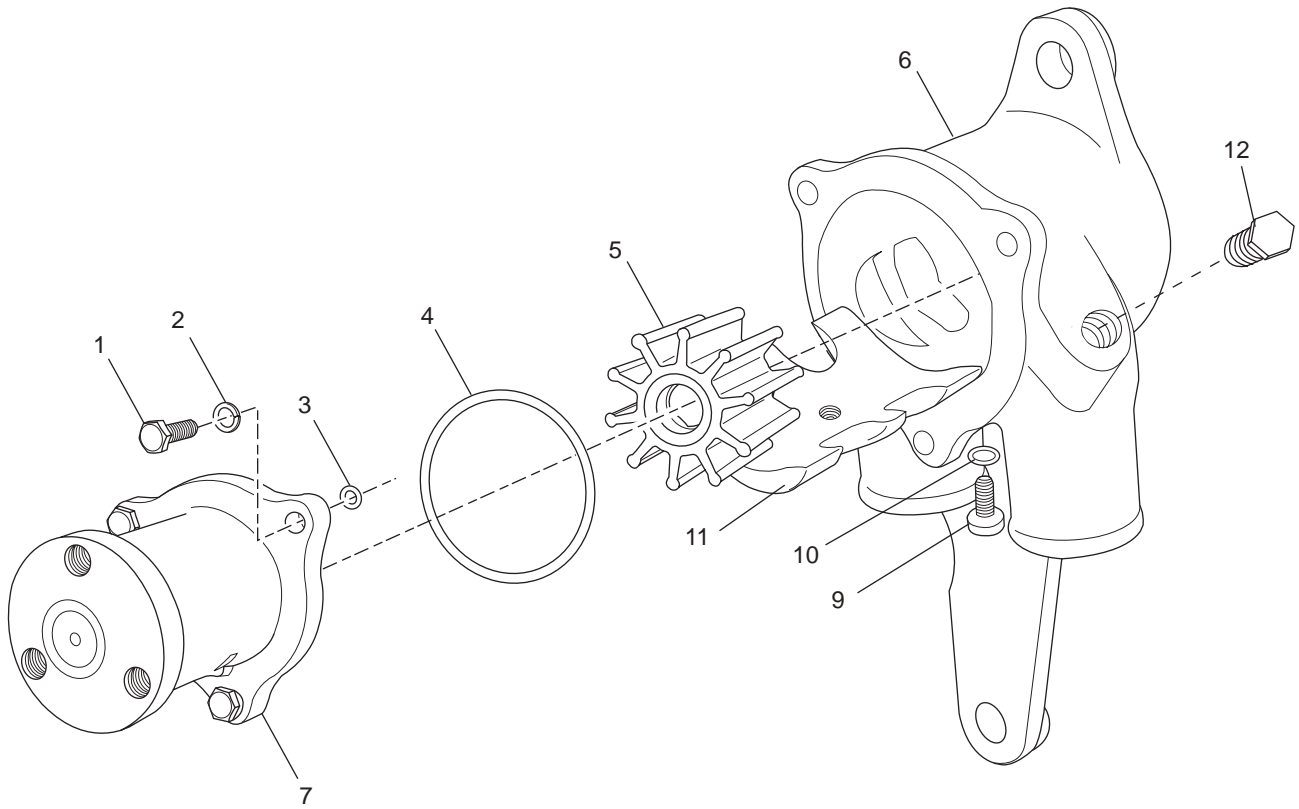
HEAT EXCHANGER and COMPONENTS - XR Engines



HEAT EXCHANGER and COMPONENTS - XR

| ITEM | PART NO. | QTY. | DESCRIPTION | MODEL ID |
|------|-----------|------|---|----------|
| 1 | R045201 | 1 | Hose , Circ pump to Heat Exchanger | |
| 2 | RS3858 | 12 | Clamp , Hose #20 | |
| 3 | R127087 | 7 | Clamp , Hose Oetiker 5/8 | |
| 4 | R045049 | 13ft | Hose , 3/8 | |
| 5 | R024257 | 1 | Fitting , Tee | |
| 6 | R045152 | 1 | Hose , Cooler/RWP v-drive | |
| 7 | 20865 | 10ft | Hose , wire reinforced 1-1/4 | |
| 8 | R127087A | 5 | Clamp , Oetiker 1/2 | |
| 9 | R045132 | 15ft | Hose , 1/4 hose bottle to vent | |
| 10 | R024245 | 1 | Fitting , Tee | |
| 11 | RS3854 | 3 | Clamp , Hose #12 | |
| 12 | 20806 | 20ft | Hose , 5/8 HTR | |
| 13 | R045107 | 5ft | Hose , 1" ID | |
| 14 | RS3851 | 30 | Clamp , Hose #16 | |
| 15 | 444705 | 2 | Pipe plug | |
| 16 | R035039A | 2 | Valve , Ball | |
| 17 | R024249A | 1 | Fitting , Tee | |
| 18 | R034035 | 2 | Cap , Degas bottle | |
| 19 | R171009 | 2 | Clamp , | |
| 20 | R146001 | 2 | Bottle , Degas | |
| 21 | R045208 | 2 | Hose , | |
| 22 | R024126 | 2 | Elbow , | |
| 23 | RS3866 | 2 | Clamp , Hose #52 | |
| 24 | R045153 | 14ft | Hose , 3/4 ID | |
| 25 | RA147055 | 1 | Cooler , Intercooler | |
| 26 | 18402 | 2 | Hose , | |
| 27 | RA147054A | 1 | Heat Exchanger | |
| 28 | R045207 | 1 | Hose , | |
| 29 | RS3868 | 4 | Clamp , Hose #24 | |
| 30 | R045202 | 1 | Hose , Heat Exchanger to circ pump | |
| 31 | R024250 | 1 | Fitting , Tee | |
| 32 | R0069073 | 1 | Cap , Plug 30 mm | |
| 33 | RM0275 | 1 | Gasket , Thermostat | |
| 34 | R025036 | 1 | Housing , Thermostat | |
| 35 | R024255 | 2 | Fitting , Elbow | |
| 36 | | | | |
| 37 | R127087F | 2 | Clamp , Oetiker 1" | |
| 38 | R024210B | 1 | U-tube , circ pump | |
| 39 | R045153 | 1 | Hose , 3/4 ID | |
| 40 | R127087G | 2 | Clamp , Oetiker 1-1/16 | |
| 41 | R026007 | 1 | Thermostat , 170 degree w/hole | |
| 42 | R047256 | 1 | O'ring , Thermostat housing | |
| 43 | R025045 | 1 | Housing , Thermostat | |
| 44 | 93920000 | 4 | Lockwasher , | |
| 45 | 98223016 | 4 | Bolt , | |
| 46 | R090413 | 1 | Bracket , Hose support | |
| 47 | R045209 | 4 | Hose | |
| 48 | R045206 | 1 | Hose , | |
| 49 | R045187 | 1 | Hose , Coolant | |
| 50 | R012031 | 1 | Orifice Tube , | |
| 51 | R025047A | 1 | Housing , Thermostat outlet | |
| 52 | R047260 | 1 | O'ring | |
| 53 | R026009A | 1 | Thermostat 143 degree | |

RAW WATER COOLING PUMP

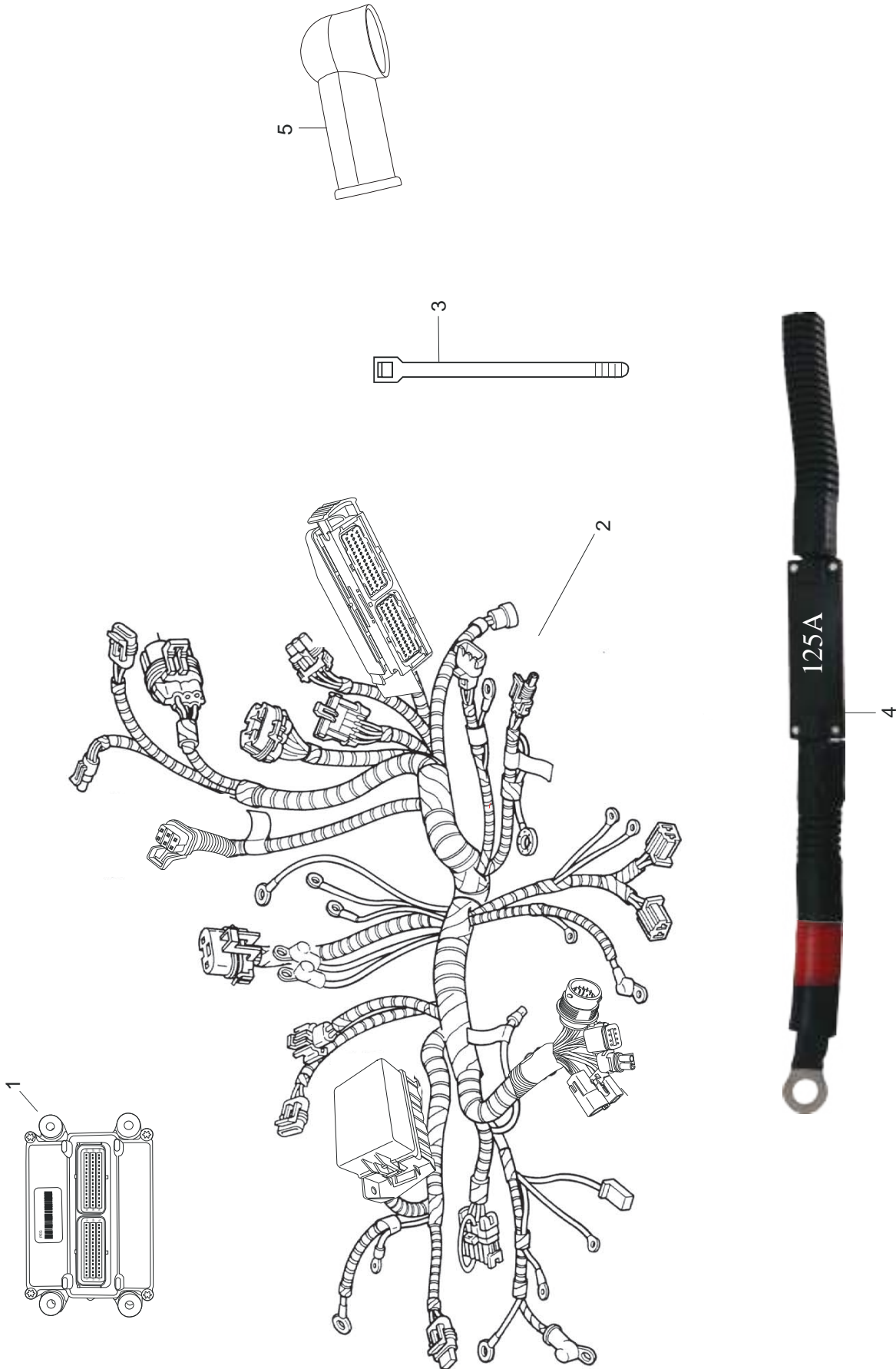


PC60P_022
05-23-07

RAW WATER COOLING PUMP

| ITEM | PART NO. | QTY. | DESCRIPTION | MODEL ID |
|------|----------|------|---|----------|
| 1 | 98224020 | 3 | Bolt , bearing housing attaching | |
| 2 | 93924000 | 3 | Lockwasher , bearing housing attaching bolt | |
| 3 | R047243 | 3 | O-ring , bearing housing attaching bolt | |
| 4 | R047242 | 1 | O-ring , bearing housing attaching | |
| 5 | RP061022 | 1 | Impeller Kit (includes O-rings and impeller) | |
| 6 | R057032 | 1 | Housing , raw water pump | |
| 7 | RA134071 | 1 | Bearing Housing Assembly | |
| 8 | RA057032 | 1 | Raw Water Pump Assembly | |
| 9 | R175056 | 1 | Bolt , raw water pump cam | |
| 10 | R047254 | 1 | O-ring , raw water pump cam | |
| 11 | R161018 | 1 | Cam , raw water pump | |
| 12 | RS3554 | 1 | Plug , brass 1/8 NPT | |

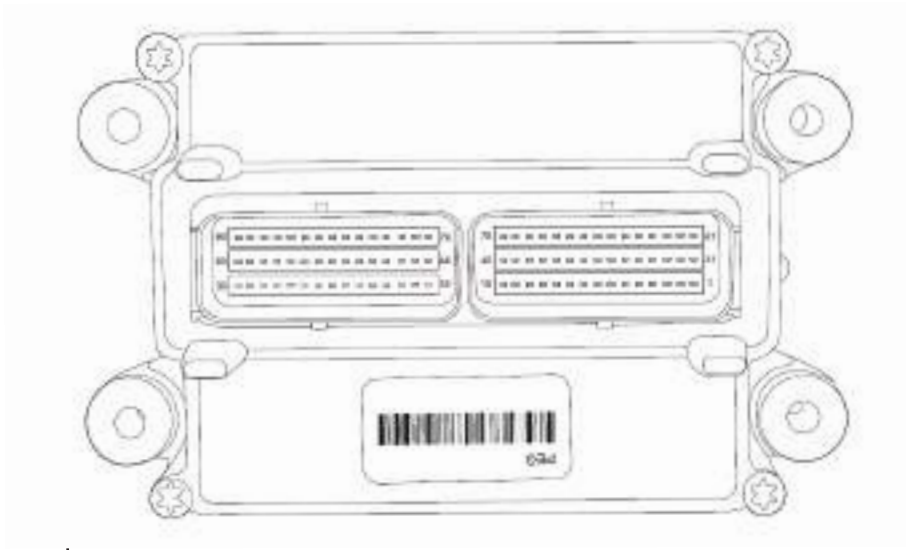
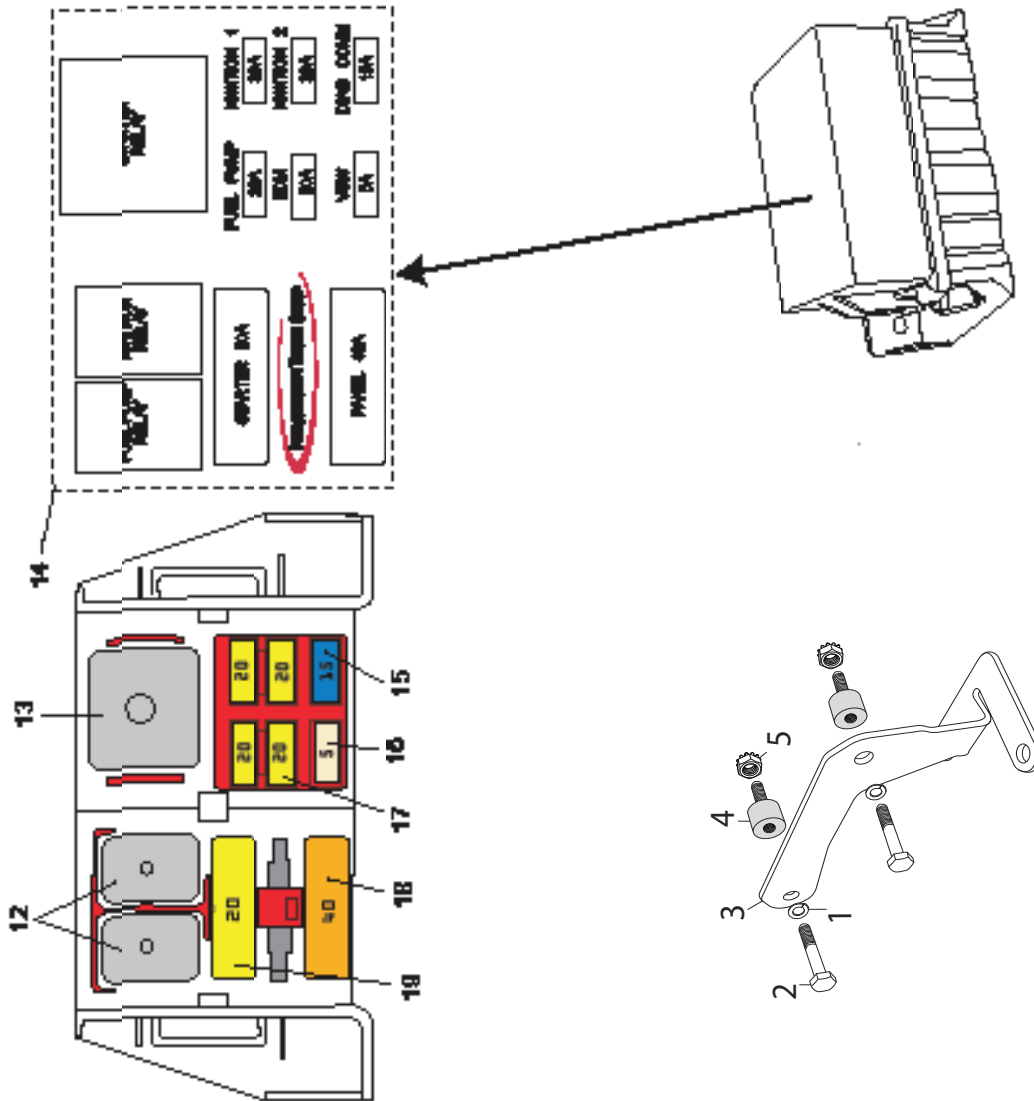
WIRING HARNESS ASSEMBLIES and SENDERS



WIRING HARNESS ASSEMBLIES and SENDERS

| ITEM | PART NO. | QTY. | DESCRIPTION | MODEL ID |
|------|----------|------|--|----------|
| 1 | R116028 | 1 | Module , Engine control 120 pin | |
| 2 | RA121111 | 1 | Engine Wiring Harness Assembly | |
| 3 | R127038D | 10 | Cable Tie , | |
| 4 | R153020 | 1 | Fuse Link , 125A 50" | |
| 5 | R129003A | 1 | Boot , Starter wire | |

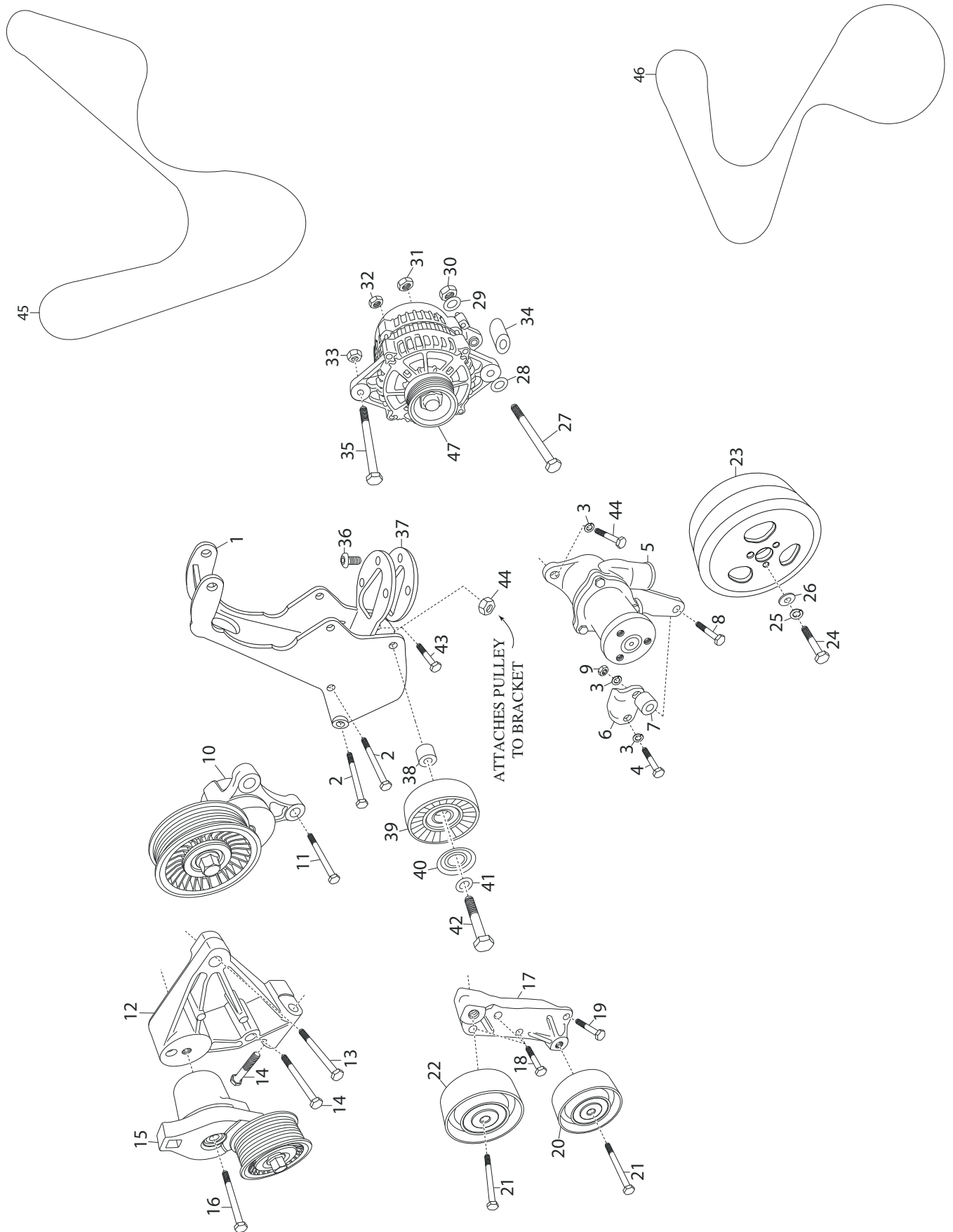
ECM and RELAYS



ECM and RELAYS

| ITEM | PART NO. | QTY. | DESCRIPTION | MODEL ID |
|------|----------|------|---|----------|
| 1 | RS0251 | 2 | Bolt , fuse block isolator attaching | |
| 2 | RS2178 | 2 | Lockwasher , fuse block isolator attaching | |
| 3 | R090391 | 1 | Bracket , fuse block mounting | |
| 4 | 95104060 | 2 | Nut , keps fuse block attaching | |
| 5 | 98222016 | 2 | Bolt , fuse block mounting bracket attaching | |
| 6 | R094044 | 2 | Isolator , fuse block mounting | |
| 7 | R116028 | 1 | Engine Control Module | |
| 8 | | | | |
| 9 | | | | |
| 10 | | | | |
| 11 | | | | |
| 12 | R130015 | 2 | Relay , Fuel Pump and Ignition | |
| 13 | R130016 | 1 | Relay , Starter | |
| 14 | TBD | 1 | Decal , main fuse box | |
| 15 | R153017C | 1 | Fuse , 5 amp | |
| 16 | R153017A | 1 | Fuse , 15 amp | |
| 17 | R153017B | 4 | Fuse , 20 amp | |
| 18 | R153019F | 1 | Fuse , Panel, 40 Amp | |
| 19 | R153019C | 1 | Fuse , Starter, 20 Amp | |

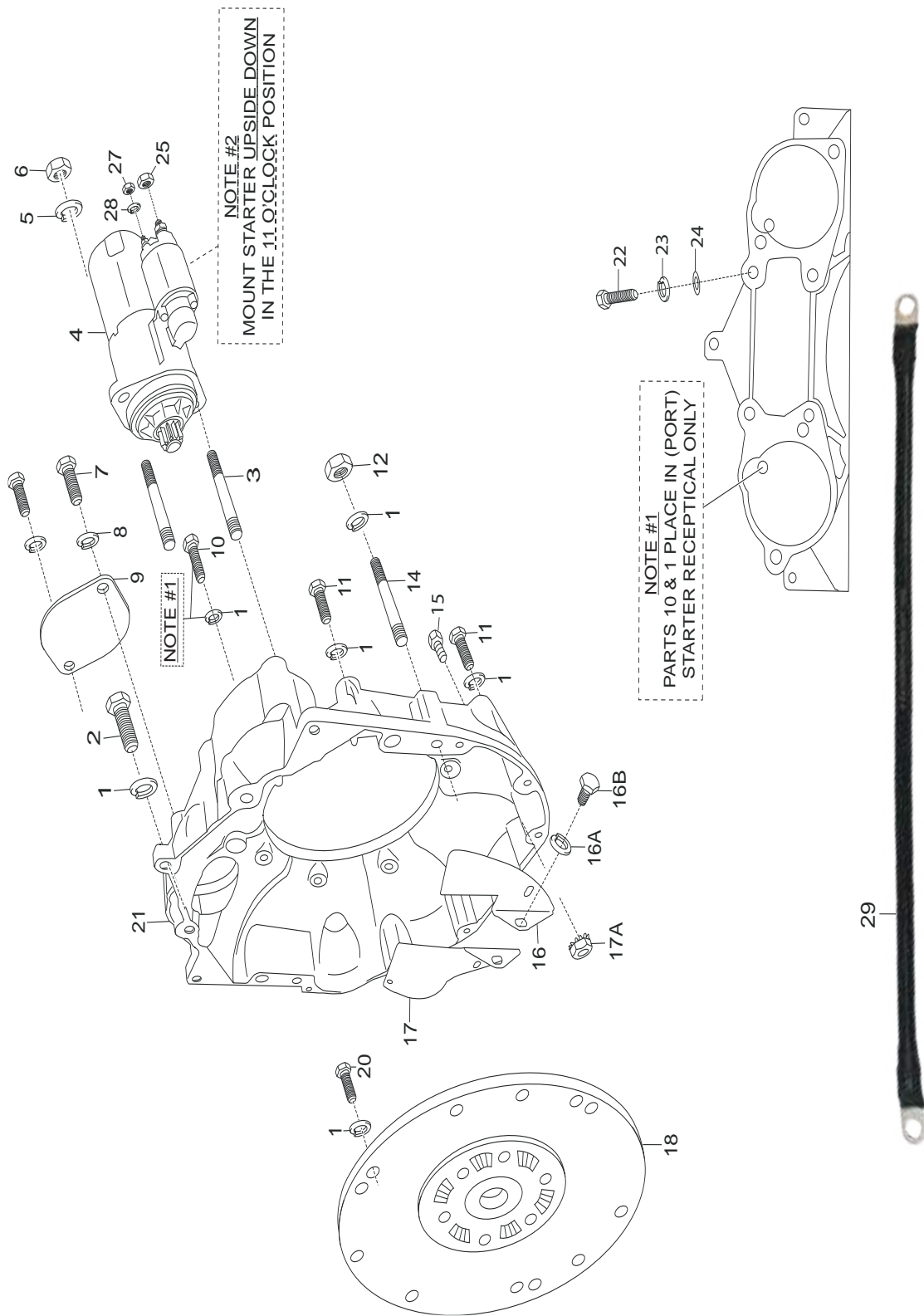
ACCESSORY DRIVE SYSTEM COMPONENTS



ACCESSORY DRIVE SYSTEM COMPONENTS

| ITEM | PART NO. | QTY. | DESCRIPTION | MODEL ID |
|------|----------|------|--|----------|
| 1 | R090387A | 1 | Bracket , Alternator 6.2L | |
| 2 | 98447090 | 2 | Bolt , M10 x 1.5 x 90 mm | |
| 3 | 96940000 | 3 | Washer , M10 | |
| 4 | 98443025 | 1 | Bolt , M10 1.5 x 25 | |
| 5 | RA057032 | 1 | Pump , Raw Water | |
| 6 | R090389 | 1 | Bracket , Offset Raw Water Pump | |
| 7 | R062096 | 1 | Spacer , | |
| 8 | 98449055 | 1 | Bolt , M10 1.5 x 55 | |
| 9 | 97440000 | 1 | Nut , M10 x 1.5 | |
| 10 | RA068004 | 1 | Tensioner , Supercharger | |
| 11 | R009214 | 2 | Bolt , | |
| 12 | R090398 | 1 | Bracket , S/C Tensioner | |
| 13 | 98447045 | 1 | Bolt , Tensioner Mounting | |
| 14 | 98447080 | 1 | Bolt , Tensioner Mounting | |
| 15 | RA068004 | 1 | Tensioner , Belt | |
| 16 | 98442030 | 2 | Bolt , M10 x 1.5 x 100 mm | |
| 17 | R090399 | 1 | Bracket , Idler Pulley | |
| 18 | R009212 | 3 | Bolt | |
| 19 | R009213 | 1 | Bolt | |
| 20 | R065062 | 1 | Pulley , Idler - small | |
| 21 | 98447060 | 2 | Bolt , M10 x 1.5 x 60 mm | |
| 22 | R065061 | 1 | Pulley , Idler - Large | |
| 23 | R065060B | 1 | Pulley , RWP- Red XS Black XR | |
| 24 | 99335020 | 3 | Bolt , Pulley to RWP | |
| 25 | 93934000 | 3 | Washer , | |
| 26 | 92934020 | 3 | Washer , | |
| 27 | 98333075 | 1 | Bolt , , Alternator Mounting | |
| 28 | 92934020 | 1 | Washer , Alternator Mounting | |
| 29 | 93930000 | 1 | Washer | |
| 30 | 97334000 | 1 | Nut , | |
| 31 | 97330060 | 1 | Nut , | |
| 32 | 9722060 | 1 | Nut , | |
| 33 | 97440300 | 2 | Nut , | |
| 34 | R062097 | 1 | Spacer | |
| 35 | 98447080 | 1 | Bolt , | |
| 36 | 90384100 | 3 | Bolt , FCC to Bracket | |
| 37 | R062091 | 1 | Spacer , FCC insulator | |
| 38 | R062083 | 1 | Spacer , Idler Pulley | |
| 39 | R065054 | 1 | Pulley , Idler | |
| 40 | R096145 | 1 | Washer , Idler Shield | |
| 41 | 92940000 | 1 | Washer , Flat | |
| 42 | 98449055 | 1 | Bolt , | |
| 43 | 98447025 | 1 | Bolt , | |
| 44 | 99443030 | 1 | Bolt , | |
| 45 | R066036 | 1 | Belt , Accesory Drive | |
| 46 | R066037 | 1 | Belt , Supercharger Drive | |
| 47 | RA097011 | 1 | Alternator , 120 amp | |
| 47A | RA097009 | 1 | Alternator , 100 amp | |

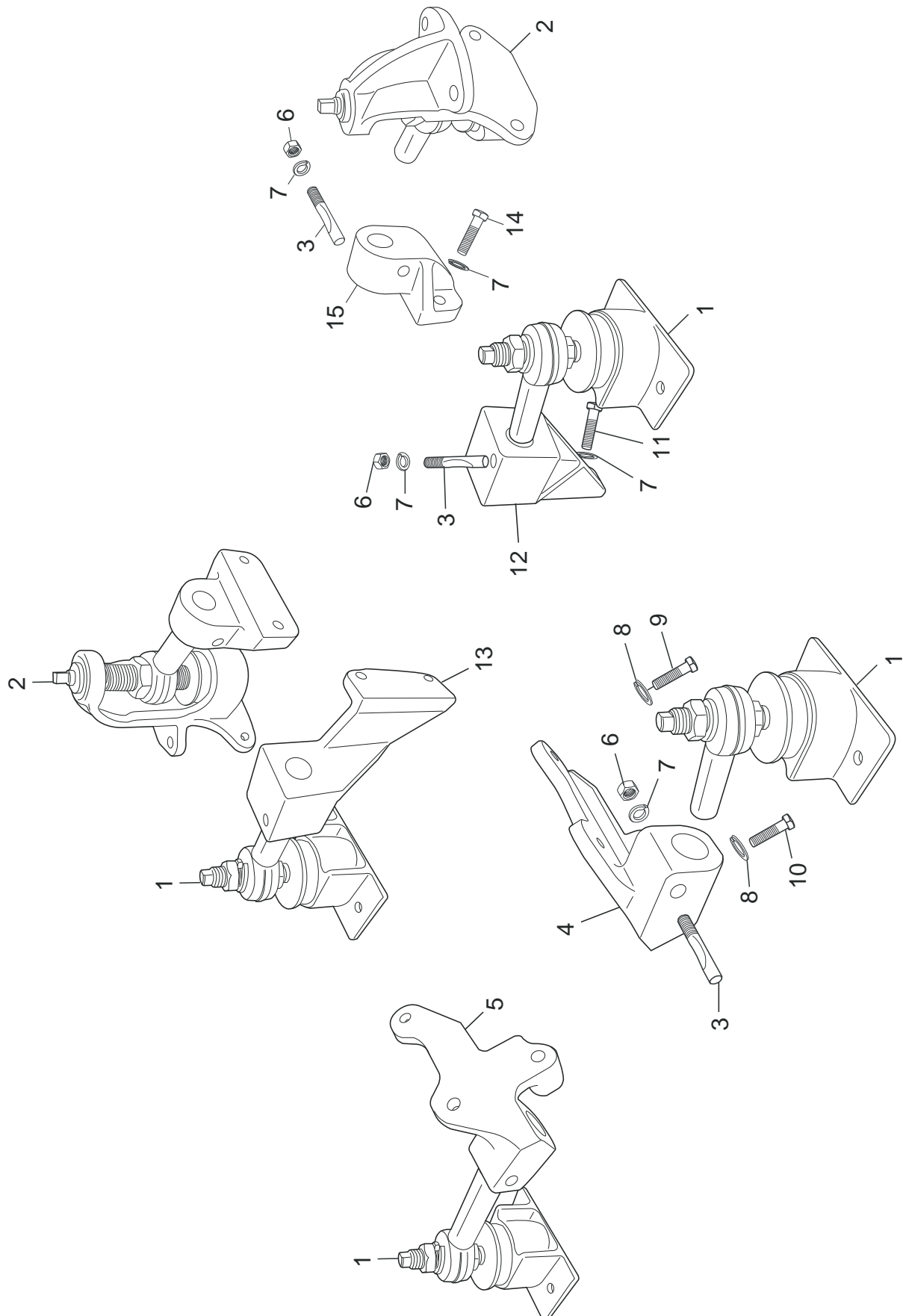
BELLOUSING AND STARTER ASSEMBLY COMPONENTS



BELLHOUSING AND STARTER ASSEMBLY COMPONENTS

| ITEM | PART NO. | QTY. | DESCRIPTION | MODEL ID |
|------|----------|------|--|----------|
| 1 | 93940000 | 16 | Lockwasher , M10 | |
| 2 | 98443030 | 1 | Bolt , attaching | |
| 3 | R031018 | 2 | Stud , starter attaching | |
| 4 | RA122009 | 1 | Starter Motor Assembly | |
| 5 | RS2181 | 2 | Lockwasher , starter attaching | |
| 6 | RS1029 | 2 | Nut , starter attaching | |
| 7 | RS0327 | 2 | Bolt , attaching | |
| 8 | RS2181 | 2 | Lockwasher , attaching | |
| 9 | R019010 | 1 | Cover , dust | |
| 10 | 99443030 | 1 | Bolt , attaching | |
| 11 | 98446075 | 4 | Bolt , attaching | |
| 12 | 97440000 | 4 | Nut , attaching | |
| 13 | | | | |
| 14 | R031034 | 2 | Stud , bellhousing ground | |
| 15 | RS0256 | 3 | Bolt , attaching | |
| 16 | R019012 | 1 | Plate , flywheel cover (port) | |
| 16A | 93920000 | 2 | Lockwasher , flywheel cover plate attaching | |
| 16B | 98223016 | 2 | Bolt , flywheel cover plate attaching | |
| 17 | R019011A | 1 | Plate , flywheel cover (starboard) | |
| 17A | RS1078 | 3 | Nut , keps 1/4-20 | |
| 18 | R140024 | 1 | Plate , damper | |
| 19 | | | | |
| 20 | 98446030 | 6 | Bolt , damper plate attaching | |
| 21 | R142015E | 1 | Bellhousing , flywheel | |
| 22 | RS0302 | 2 | Bolt , attaching | |
| 23 | RS2180 | 1 | Lockwasher , attaching | |
| 24 | 92300000 | 2 | Flatwasher , attaching | |
| 25 | 97330060 | 1 | Lockwasher , solenoid terminal | |
| 27 | RS7036 | 1 | Nut , solenoid terminal | |
| 28 | 93003000 | 1 | Washer , Lock | |
| 29 | R200000 | 1 | Cable , Ground | |

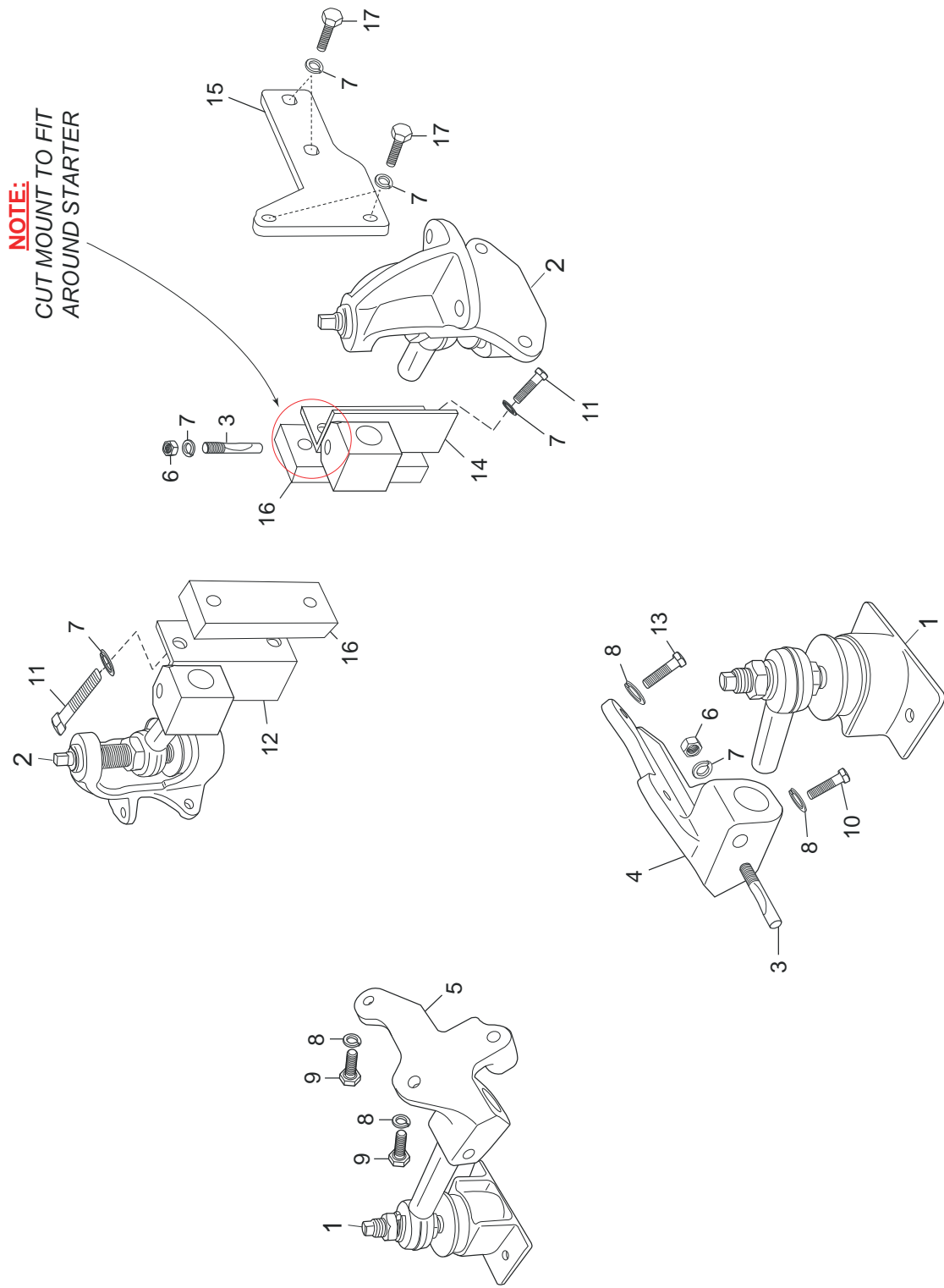
ENGINE and TRANSMISSION MOUNTS



ENGINE and TRANSMISSION MOUNTS

| ITEM | PART NO. | QTY. | DESCRIPTION | MODEL ID |
|------|--------------|------|--|--------------------------|
| 1 | RA092016 | 4 | Mount Assembly , front | |
| 1A | RA092016-01A | 4 | Mount Assembly , front | Watersport Series |
| 2 | R090284 | 2 | Mount Assembly , rear | |
| 2A | RA09211-06A | 2 | Mount Assembly , rear | Watersport Series |
| 3 | R095020 | 6 | Bolt , engine mounting lock | |
| 3A | R095020A | 6 | Bolt , engine mounting lock | Watersport Series |
| 4 | R090294 | 4 | Bracket , engine mount, port | |
| 5 | R090294 | 4 | Bracket , engine mount, starboard | |
| 6 | RS1529 | 6 | Nut | |
| 6A | 95414000 | 6 | Nut , | Watersport Series |
| 7 | RS2181 | 14 | Lockwasher | |
| 7A | 93404000 | 6 | Washer | Watersport Series |
| 8 | 93940000 | 6 | Washer | |
| 9 | 98443030 | 4 | Bolt | |
| 10 | 98449055 | 2 | Bolt | |
| 11 | R090354 | 4 | HHCS | |
| 12 | R090354 | 1 | Mount , Transmission | |
| 13 | R090355 | 1 | Mount , Transmission | |
| 14 | R094007 | 4 | Bolt , | |
| 15 | R090205 | 2 | Mount , V-drive | |

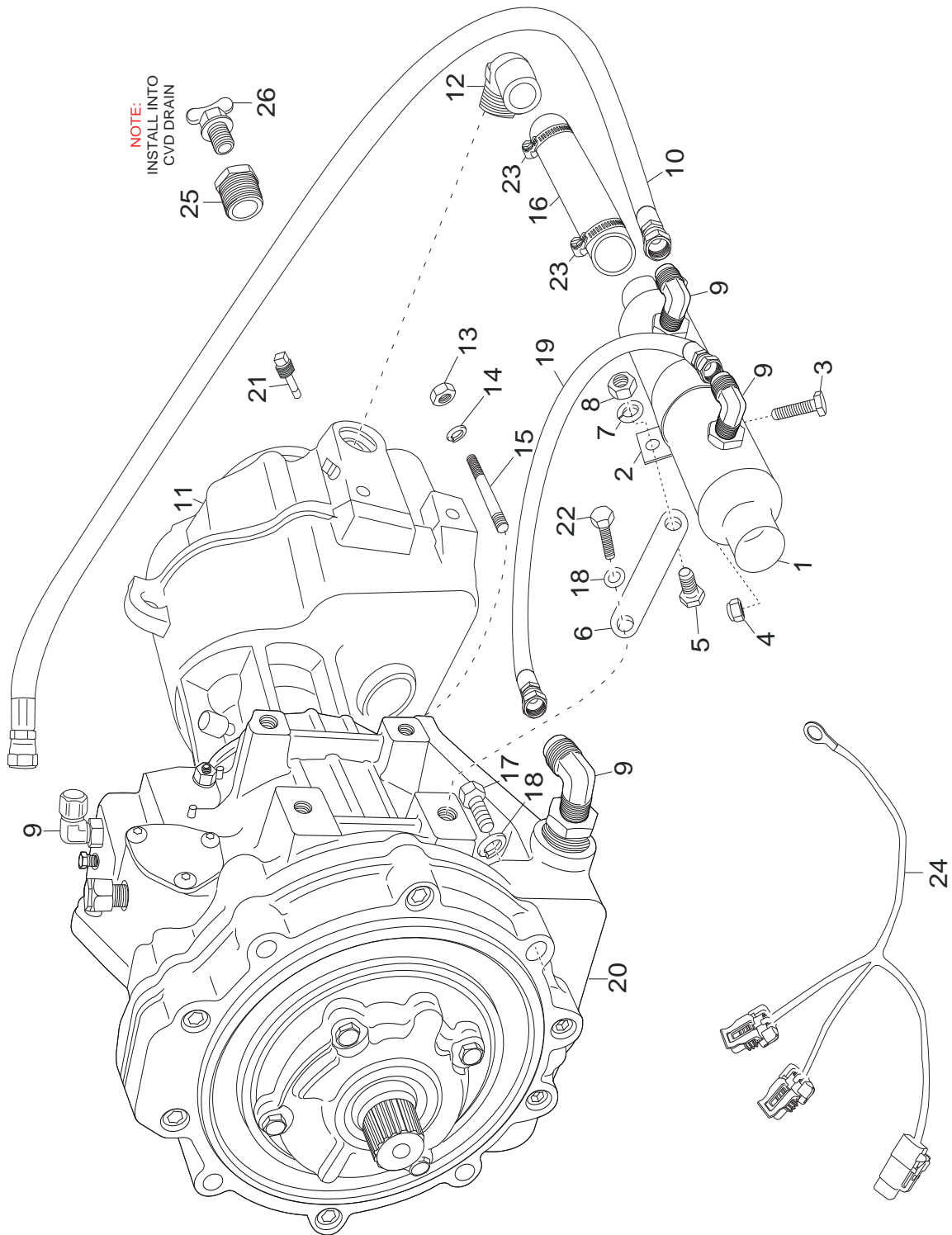
ENGINE MOUNTS 15-620/621 MODELS



ENGINE MOUNTS 15-620/621 MODELS

| ITEM | PART NO. | QTY. | DESCRIPTION | MODEL ID |
|------|--------------|------|---------------------------------------|------------------|
| 1 | RA092016-08 | 2 | Mount Assembly | |
| 1A | RA092016-08A | 2 | Mount AssemblySaltwater Series | |
| 2 | RA092003-10 | 2 | Mount Assembly | |
| 2A | RA092003-08B | 2 | Mount Assembly | Saltwater Series |
| 3 | R095020 | 4 | Bolt , Engine mounting lock | |
| 3A | R095020A | 4 | Bolt , Engine mounting lock | Saltwater Series |
| 4 | R090293 | 1 | Bracket , Engine mount | |
| 5 | R090294 | 1 | Bracket , Engine mount | |
| 6 | RS1529 | 4 | Nut , | |
| 6A | 95414000 | 4 | Nut , | Saltwater Series |
| 7 | RS21811 | 2 | Lockwasher , | |
| 7A | 93404000 | 4 | Lockwasher | Saltwater Series |
| 8 | 93940000 | 6 | Washer , Lock | |
| 9 | 98443030 | 3 | Bolt , | |
| 10 | 98449055 | 2 | Bolt , | |
| 11 | RS0329 | 4 | Bolt , | |
| 12 | R090344 | 1 | Bracket , Transmission | |
| 13 | 98447045 | 1 | Bolt , | |
| 14 | R090343 | 1 | Bracket , Transmission | |
| 15 | R090454 | 1 | Plate , Transmission brace | |

TRANSMISSION AND RELATED COMPONENTS



TRANSMISSION AND RELATED COMPONENTS

| ITEM | PART NO. | QTY. | DESCRIPTION | MODEL ID |
|------|-----------|------|---|------------------|
| 1 | R147006 | 1 | Cooler , Transmission oil 12" X 1- 1/4 | |
| 2 | R090010 | 1 | Bracket , Transmission oil cooler | |
| 3 | RS0256 | 1 | Bolt , Transmission oil cooler attaching | |
| 4 | RS2058 | 1 | Nut , Transmission oil cooler attaching | |
| 5 | R090405 | 1 | Bracket , Transmission Cooler | |
| 6 | R090013A | 1 | Bracket , Transmission oil cooler | |
| 7 | RS2180 | 1 | Lockwasher , Transmission oil cooler bracket attaching | |
| 8 | RS1028 | 1 | Nut , Transmission oil cooler bracket attaching | |
| 9 | R024010 | 4 | Fitting , 90 degree | |
| 10 | RA045007R | 1 | Hose Assembly , Cooler to transmission | |
| 11 | RA156011B | 1 | V-drive Assembly - 1.48:1 | |
| 11A | RA156013 | 1 | V-drive Assembly - 1.72 | |
| 11B | RA156012A | 1 | V-drive Assembly - 2.0:1 | |
| 12 | R024268 | 2 | Elbow | |
| 13 | RS7026 | 8 | Nut | |
| 14 | RS2179 | 8 | Lockwasher | |
| 15 | R031035 | 8 | Stud | |
| 16 | 20865 | 1 | Hose , Wire reinforced | |
| 17 | RS0337 | 4 | Bolt , Transmission attaching | |
| 18 | RS2181 | 5 | Lockwasher | |
| 19 | RA045007C | 1 | Hose Assembly | |
| 20 | RA157028 | 1 | Transmission Assembly , Manual shift | |
| 20A | RA157028E | 1 | Transmission Assembly Electric shift | |
| 21 | R041091 | 2 | Dipstick , V-drive | |
| 22 | RS0327 | 1 | Bolt | |
| 23 | RS3858 | 2 | Clamp , Hose # 20 (1-1/4) | |
| 24 | R121117 | 1 | Harness , Electric shift adaptor | |
| 25 | R069078 | 1 | Plug , Drain | |
| 26 | R024276 | 1 | Fitting , Adaptor v-drive drain | |
| NI | RA045007R | 1 | Anode , | Saltwater Series |