

LINC PANORAY

SWITCHING MENU	
Lights Tab	62
Courtesy Color Tab (Optional)	63-65
Climate Tab	66
Features Tab	67
USER MENU	
User List Tab	68-69
New User Tab	70-71
MAP MENU	
Mini Map Tab	72
Full Map Tab	73-75
•Waypoints and Tracks	74-75
PREFERENCES MENU	
Settings Tab	76
Display Tab	77
System Tab	78-81
•Power Diagnostics	79
•Engine Diagnostics	80
•System Info	81
RIGHT SECTION	
Switchboard Tab	82-85
•Editing the Functions	83-85
Vitals Tab	86
WARNINGS AND POP UP MESSAGE	
Engine Diagnostic Message	88
Circuit Fault Message	89



WARNING AND POP-UP MESSAGES



FIG. Q2 - ENGINE DIAGNOSTICS ON PREFERENCES MENU

CIRCUIT FAULT MESSAGE - WARNING

It is strongly advised that you contact your Nautique dealer immediately when a circuit fault appears.

If a circuit fault message is displayed, a brief description will appear.

Pressing Details will provide more information on the circuit fault and pressing Ignore will close the diagnostic message window. If ignore is pressed, a smaller message will appear in upper left hand corner of the screen until the problem is corrected (see image below).



WARNING AND POP-UP MESSAGES



FIG. Q1 - ENGINE DIAGNOSTICS ON PREFERENCES MENU

ENGINE DIAGNOSTIC MESSAGE - WARNING

It is strongly advised that you contact your Nautique dealer immediately when a diagnostic message appears.

If an engine diagnostic message appears, it will give you the DTC number (Diagnostic Trouble Code) and message, the SPN (Suspect Parameter Number) and FMI (Failure Mode Indicator) number. These numbers follow standards set by the engine manufacturer or SAE J1939.

Pressing Previous or Next will cycle through the diagnostic messages and pressing Ignore will close the diagnostic message window. If ignore is pressed, a smaller message will appear in upper left hand corner of the screen until the problem is corrected (see image below).



OVERVIEW



PRODUCT INFORMATION

The Nautique LINC 3.0 system is designed for instrumentation and control on electronically controlled engines communicating via SAE J1939 and NMEA 2000. The display is a multifunctional tool that provides GPS tracking, multimedia display, speed control, and enables equipment operators to view many different engine parameters and service codes.

CARE AND MAINTENANCE

General maintenance is not required; however, a soft cloth can be used for cleaning the unit. Window cleaner or alcohol can also be used to clean the glass portion of the display. Do not use harsh or abrasive cleaners on the unit.



OVERVIEW



TOUCHSCREEN DISPLAY

LINC Panoram features a 12.4" wide touchscreen display. Operators can easily change settings and viewed information by tapping certain touch-point icons on the screen. When the display recognizes that the operator has touched the screen, a small, grey, circular graphic will appear at the location where the operator has touched.

Operators can also scroll and swipe certain functions, lists and menus on the touchscreen display.

To ensure proper use, make sure that hands and fingers are dry and clean of any oils or lotions before touching the display.



RIGHT SECTION



FIG. P4 - SWITCHBOARD TAB ON THE RIGHT SECTION OF THE DISPLAY

VITALS TAB

This tab displays all of the vital engine gauges and system information for the boat in a large, easy to read format. This includes:

- Engine temperature
- Engine oil pressure
- Battery charging voltage
- Engine RPM
- Air Temperature
- Water Temperature

The tab also includes the Speed Control On/Off so that users can quickly turn that on or off as needed.



OVERVIEW



HELM COMMAND

In addition to the touchscreen, the LINC 3.0 interface can also be fully controlled with the Helm Command (pictured above) located on the driver's armrest adjacent to the throttle arm.

Helm Command features a machined, aluminum knob. This knob is able to 1) rotate clockwise and counterclockwise, 2) tilt up, down, left and right like a joystick and 3) can be pressed down like a button. The functions of each of the three physical actions listed above can change depending on the particular menu that is displayed.

A black, rubber keypad surrounds the knob with 5 different buttons. These buttons act like shortcuts, or hot keys, and allow the user to quickly jump to certain menus, tabs and frequently used settings.

Please refer to the following pages for a step-by-step instruction on how to use Nautique's Helm Command with the user interface.



RIGHT SECTION



FIG. P3- SWITCHBOARD TAB ON THE RIGHT SECTION OF THE DISPLAY

SWITCHBOARD TAB - EDITING THE FUNCTIONS

Also note that there may be a scroll bar on the left side of the screen, indicating that you may need to scroll down to see additional functions. Some switchboard functions are dependent upon certain optionally equipped items (e.g., certain audio functions for the Zone Control option) and those functions will not be displayed if certain options are not equipped.

After selecting your desired function, the Edit Switchboard dialog box will close and will display the new function in its proper location on the right side of the screen under the switchboard tab.



RIGHT SECTION



FIG. P2- SWITCHBOARD TAB ON THE RIGHT SECTION OF THE DISPLAY

SWITCHBOARD TAB - EDITING THE FUNCTIONS

After touching the pencil icon or performing a press-and-hold on the tab button on the Helm Command, the operator will then see a pop-up message prompting him/her to “Edit Switchboard Functions”.

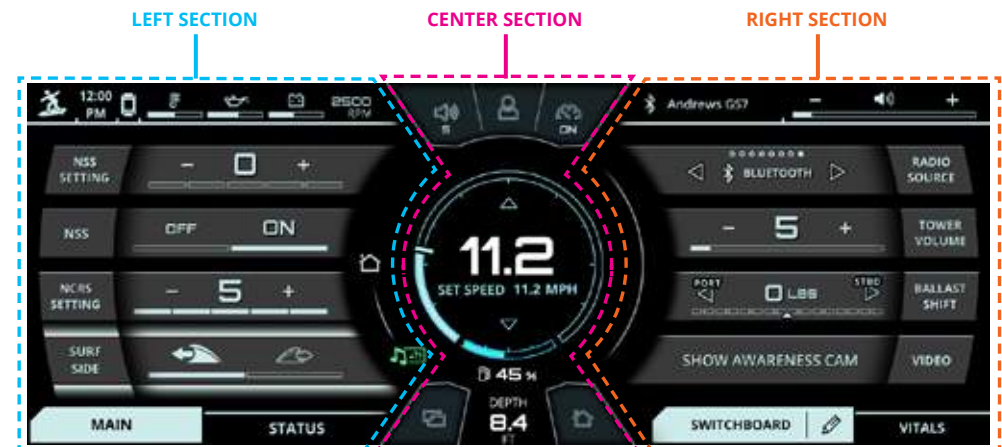
The first step is to select which current function (Lines 1, 2, 3 or 4) you would like to replace (see Fig P2 for reference). You can either make your selection via touchscreen or through Helm Command by rotating the knob and pressing down.

The second step is to then select which new function you would like for that particular line via touchscreen or Helm Command (see Fig. P3 on the next page).

Please note that all of the different possible switchboard functions are organized into tabs at the bottom of the screen. You may change which tab is visible through the touchscreen or through the tab button on the Helm Command keypad.



OVERVIEW



USER INTERFACE - SPLIT INTERFACE MODE

In most circumstances, the LINC Panoray interface is split into three, broad visual sections; the center section, the left section and the right section.

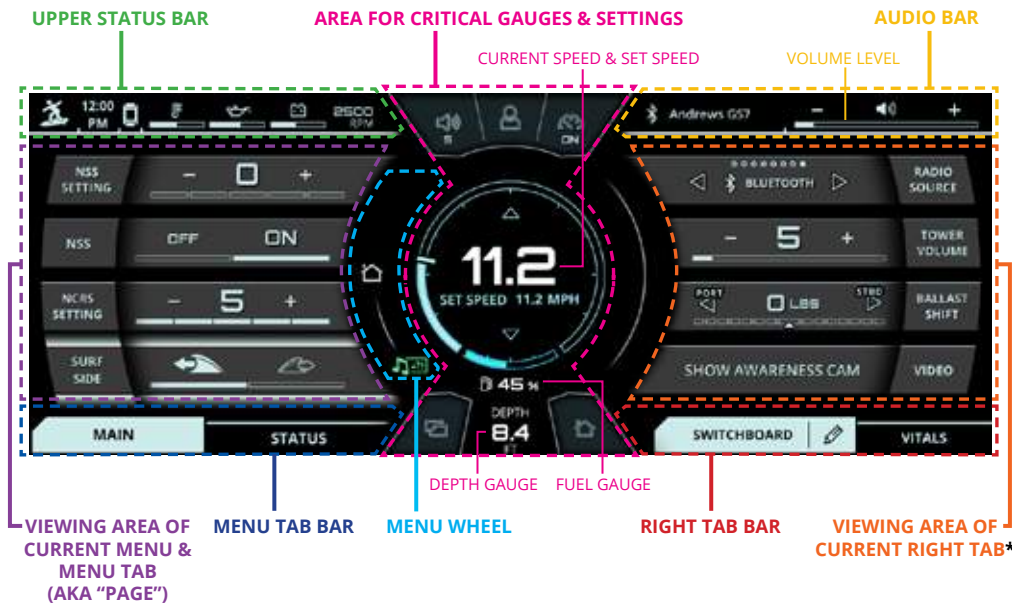
CENTER SECTION - displays critical gauges, settings and functions (e.g. speed, speed control on/off) that can be seen at a glance under most scenarios.

LEFT SECTION - displays specific, detailed information and functions which is dictated mostly by the currently selected menu and menu tab. The operator should use this section when he/she wants to take their time and get an “in-depth” look into certain boat settings or features. For example, if an operator wants to change individual audio settings, he/she should look at the left side of the screen, navigate to the audio menu and select the proper menu tab to adjust specific audio settings.

RIGHT SECTION - also displays information and functions, but is meant for quicker operation. The right section does not use menus and contains only two tabs at all times: the vitals tab and the switchboard tab. The vitals tab contains vital engine gauges and information and the switchboard tab contains 4 different functions that can be customized by the user (see pages 62-65). The switchboard tab allows the operator to select his/her four favorite functions so that they can be quickly adjusted (or turned on/off) from the right side without having to navigate to any left side menus. Think of the switchboard tab as if it were containing “shortcuts” to an operator’s most used/viewed features.



OVERVIEW



USER INTERFACE - GENERAL LAYOUT

AREA FOR CRITICAL GAUGES & SETTINGS - This area displays the current speed, set speed, speed control on/off, fuel gauge, and depth gauge. This area also duplicates the 5 buttons on the Helm Command.

UPPER STATUS BAR - This area always displays the activated User Profile, time, engine temperature, oil pressure, voltage, and RPM. The operator can tap on the engine temperature, oil pressure, or voltage for a numerical readout of that particular gauge. This area can also display an icon for Surf Select if that setting is turned on.

MENU WHEEL - Different menus can be selected here by tapping individual menu icons or by rotating the Helm Command knob if the Menu Wheel is highlighted. There can be up to 8 menus: Home, Audio, Video, Ballast, Switching, User, Map, and Preferences. The middle icon of the Menu Wheel shows which menu is currently being viewed.

MENU TAB BAR - This tab bar changes depending on the current menu. Each tab contains a separate page of information that relates back to the current menu. Menus contain either 2, 3 or 4 unique tabs.



RIGHT SECTION

SWITCHBOARD TAB - EDITING THE FUNCTIONS

There are two ways to select or edit which functions are displayed in the switchboard tab:

1. Pressing the pencil icon touch-point (next to the "SWITCHBOARD" name) when viewing the switchboard tab, like the example below.



OR

2. Press-and-Hold on the tab button on the Helm Command keypad when the operator has a function highlighted in the Switchboard tab (Radio Source is highlighted in the example below).



(see following pages for further instructions)



RIGHT SECTION



FIG. P1 - SWITCHBOARD TAB ON THE RIGHT SECTION OF THE SCREEN

SWITCHBOARD TAB

The right section of the screen does not contain any menus, but contains two permanent tabs: The Switchboard tab and the Vitals tab.

The switchboard tab allows the operator to select his/her four favorite functions so that they can be quickly adjusted (or turned on/off) from the right side of the screen without having to navigate to any left side menus. The operator can freely mix and match functions from various menus on the switchboard tab; these functions will operate exactly as they do from their native menus.



OVERVIEW

USER INTERFACE - GENERAL LAYOUT (CONTINUED)

VIEWING AREA OF CURRENT MENU & MENU TAB (AKA "PAGE") - Each tab under each menu displays unique information, settings, and functions in this area (which can be referred to as a "page"). Most settings and functions are illustrated here as a stack-up of smaller horizontal bars with curved ends.

AUDIO BAR - This area always displays the current stereo source and the volume level of the audio system. Tapping the + or the - on the volume level will increase or decrease the volume. Tapping the volume horn icon will mute or unmute the audio system.

RIGHT TAB BAR - This tab bar always features two tabs: the switchboard tab and the vitals tab. The switchboard tab (shown in the screenshot) features 4 functions that can be customized by a user (see pages 62-65). The vitals tab displays all of the vital engine gauges and system information for the boat in a large, easy to read format. This includes engine temperature, engine oil pressure, battery charging voltage, engine RPM, air temperature and water temperature. The vitals tab also includes the Speed Control On/Off so that users can quickly turn that on or off as needed.

VIEWING AREA OF CURRENT RIGHT TAB - this area will display information, settings, and functions from the switchboard tab or the vitals tab, whichever is selected.

***NOTE:** Certain menus and menu tabs from the left side may temporarily occupy this space when there are more than 5 functions or settings.



PREFERENCES MENU



FIG. N6 - SYSTEM INFO ON PREFERENCES MENU

SYSTEM TAB - SYSTEM INFO

System Info identifies the LINC display and the current software installed on the display.

When pressed, the "Factory Rest Settings" button will reset everything in LINC back to the factory default settings.

NOTE: The "Reboot to Bootloader" button is intended for Nautique or Dealer technicians only. This button allows technicians to load LINC software files (via the LINC USB port) to the display screen.



PREFERENCES MENU



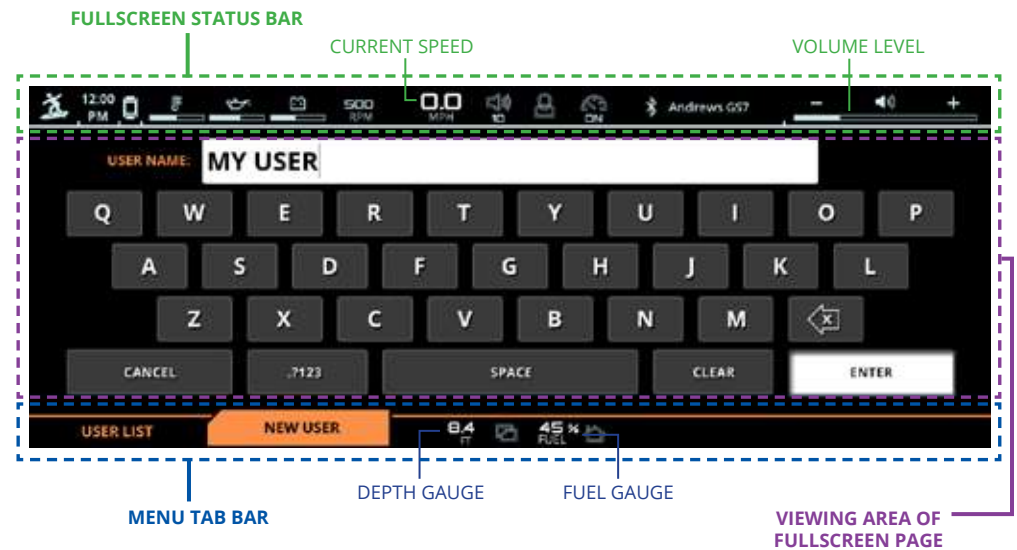
FIG. N5 - ENGINE DIAGNOSTICS ON PREFERENCES MENU

SYSTEM TAB - ENGINE DIAGNOSTICS PAGE

Engine Diagnostics displays a list of engine fault codes and descriptions; on some engines, corrective action will be shown. This screen shows the current engine hours.

There is also a vertical "Fault Log" tab that will show prior stored faults.

OVERVIEW



USER INTERFACE - FULLSCREEN MODE AND LAYOUT

Some menus and menu tabs will adjust the appearance of the user interface in order to increase the viewing area of certain features; these are called "fullscreen pages". Examples of full screen pages include the following:

- Instances when a keyboard is required (e.g. when creating a new user)

- Map Menu - Full Map tab

- Preferences Menu - System tab, diagnostic pages and dealer menu pages

Full screen pages will slightly re-position critical gauges and settings to the top and bottom of the screen. Current speed and volume level move to the top in the **FULLSCREEN STATUS BAR** whereas the depth and fuel gauges move to the bottom in the **MENU TAB BAR**.



OVERVIEW



LINC INTERFACE



HELM COMMAND

USING HELM COMMAND - ROTARY KNOB

When LINC 3.0 has completed its start-up sequence, a “highlight” will appear over the Menu Wheel. This highlight is similar to a computer cursor; it shows the current position for user interaction and it will respond to input from the rotary knob or the 5 buttons on the Helm Command unit. The highlight will stay in the same location until it is moved to a new function/setting or until a new menu or menu tab is selected.

When the highlight is over the Menu Wheel, simply rotate the Helm Command knob clockwise or counter-clockwise to view another menu (see fig. A1 below).



FIG. A1 - ROTATING CLOCKWISE FROM THE HOME MENU TO THE MEDIA MENU



PREFERENCES MENU



FIG. N4 - POWER DIAGNOSTICS ON PREFERENCES MENU

SYSTEM TAB - POWER DIAGNOSTICS PAGE

Power Diagnostics shows all of the electrical circuits and shows which circuits have a fault. This page also shows voltage from the Ballast senders.

NOTE: It is strongly advised that you contact your Nautique dealer immediately if a circuit fault appears.

If an electrical problem has been fixed by a technician, the technician can then navigate to the circuit that had a problem and then hit “Reset Fault” to then reset the status of that particular circuit.



PREFERENCES MENU



FIG. N3 - SYSTEM TAB ON PREFERENCES MENU

SYSTEM TAB

The System tab contains the following:

Power Diagnostics - displays a list of circuit fault codes and descriptions; the operator can reset faults here (See page ??).

Engine Diagnostics - displays a list of engine fault codes and descriptions; on some engines, corrective action will be shown (See page ??).

GPS Utilities - contains options to set up track and position, chart and time, and waypoint manager. Also displays satellite status.

System Info - identifies the LINC display and the current software installed on the display (See page ??).

Dealer Settings - displays a menu that give dealers/technicians access to change critical settings/options for the boat. This menu is password protected to prevent the customer from adjusting critical boat settings that may significantly affect the operation of the boat.

Surf Select - if turned on, it allows certain settings to be changed by someone who is riding/surfing behind the boat with the Surf Select Remote or Surf Select App on a Pebble Watch.

Pair Remote (for Surf Select) - allows a surfer to switch surf sides behind the boat with the Surf Select Remote

Pair Pebble (for Surf Select)- allows a surfer/rider to switch surf sides, change set speed, change NSS setting, change NCRS setting, and to adjust the volume through a Pebble watch with the Surf Select App.



OVERVIEW

USING HELM COMMAND - ROTARY KNOB (CONTINUED)

To return to a previously viewed menu, simply rotate the knob the opposite way. The menu will appear with the tab that was last selected (see Fig. A2 below).



FIG. A2 - ROTATING COUNTER-CLOCKWISE BACK TO THE HOME MENU FROM THE MEDIA MENU

To move the highlight to the page area of the screen (to the left side), the operator can either press down on the knob or can joystick over to the left. (See Fig. A3 below)



FIG. A3 - MOVING THE HIGHLIGHT TO THE PAGE AREA



OVERVIEW

USING HELM COMMAND - ROTARY KNOB (CONTINUED)

After moving the highlight to the page area, the operator can select functions/settings by pushing down on the knob. (see Fig. D below). This will change the background color behind the function/setting to white to increase visibility over the other functions/settings.



FIG. A4 - PUSHING DOWN TO SELECT A SETTING (THE NSS SETTING IN THIS EXAMPLE)

When a setting is selected, simply rotate clockwise or counter-clockwise to increase or decrease that setting. In Fig. A5 below, the operator has rotated counter-clockwise twice to change the NSS Setting to "0". When an ON/OFF function (like NSS in Fig A5. below) is selected, rotate clockwise to turn ON or rotate counter-clockwise to turn OFF.



FIG. A5 - ROTATING COUNTER-CLOCKWISE TO DECREASE A SETTING

PREFERENCES MENU



FIG. N2 - DISPLAY TAB ON PREFERENCES MENU

DISPLAY TAB

The Display tab contains the following settings:

- Display Brightness** - adjusts the brightness of the LINC display
- Units** - toggles the units displayed on LINC between English and Metric
- Time Zone** - sets the time zone according to GMT offset standards
- Daylight Savings Time** - toggles daylight savings time on/off
- Clock Mode** - toggles the clock between 12 hour and 24 hour mode



PREFERENCES MENU



FIG. N1 - SETTINGS TAB ON PREFERENCES MENU

SETTINGS TAB

The Preferences menu contains the interface/interaction settings of the LINC 3.0 unit.

The Settings tab contains the following settings:

River Mode - allows the driver to keep the boat's speed-over-water constant at the push of a button when a current is present.

Auto Volume - automatically increases/decreases the volume as speed increases/decreases

Speed Buzzer - the LINC unit audibly buzzes when the set speed is achieved

Depth Buzzer - the LINC unit audibly buzzes when the boat is in shallow waters, and buzzes when the minimum depth is reached

Minimum Depth- sets when the Depth Buzzer goes off

OVERVIEW

USING HELM COMMAND - ROTARY KNOB (CONTINUED)

When the operator is comfortable with where the setting is at, he/she may push down on the knob to de-select from the setting (see Fig. A6 below).



FIG. A6 - PUSHING DOWN TO DE-SELECT A SETTING (THE NSS SETTING IN THIS EXAMPLE)

The operator may now rotate the knob to highlight another setting. In the image below (Fig. A7) the operator has rotated counter-clockwise twice to highlight the NCRS Setting



FIG. A7 - ROTATING COUNTER-CLOCKWISE TO HIGHLIGHT A DIFFERENT SETTING

OVERVIEW

USING HELM COMMAND - ROTARY KNOB (CONTINUED)

Once again, an operator can select functions/settings by pushing down on the knob; in Fig H. below the operator has selected the NCRS setting.



FIG. A8 - PUSHING DOWN TO SELECT A SETTING (THE NCRS SETTING IN THIS EXAMPLE)

When a setting is selected, simply rotate clockwise or counter-clockwise to increase or decrease that setting. In Fig. I below, the operator has rotated clockwise twice to increase the NCRS Setting to "5".



FIG. A9 - ROTATING CLOCKWISE TO INCREASE A SETTING



MAP MENU



FIG. M4 - FULL MAP WITH WAYPOINT MANAGER

FULL MAP TAB - WAYPOINTS AND TRACKS

Once a waypoint is selected from the list of saved waypoints the operator may do the following from the Waypoint Manager:

- Change Icon/ Edit Name** - changes the icon or edits the name of the waypoint
- Show On Map** - moves the map to the saved waypoint
- Delete Waypoint** - deletes the waypoint
- Go Back** - goes back to the list of waypoints

The Track Manager is very similar and contains the following functions:

- Edit Name** - allows operator to edit the name of the track
- Show/Hide** - toggles whether the track is shown or hidden
- Delete Track** - deletes the track
- Go Back** - goes back to the list of tracks



MAP MENU



FIG. M3 - FULL MAP WITH SLIDEOUT WINDOW FOR WAYPOINTS AND TRACKS

FULL MAP TAB - WAYPOINTS AND TRACKS

When the Slideout window is open, the map size will decrease in width to a Mini Map size. To hide the Slideout window, just press on the yellow arrow on the screen or joystick over to the left with the Helm Command knob.

The slideout window contains five functions:

Waypoint Manager - takes the Operator to the waypoint manager, where saved waypoints can be edited and deleted

Save Waypoint - saves a new waypoint where the cursor is currently located

Track Manager - takes the Operator to the track manager, where saved waypoints can be edited and deleted

Save Track- saves the current track

Clear Track- clears the current track



OVERVIEW

USING HELM COMMAND - ROTARY KNOB (CONTINUED)

As mentioned previously, when the operator is comfortable with where the setting is at, he/she may push down on the knob to de-select from that setting (see Fig. J. below).



FIG. A10 - PUSHING DOWN TO DE-SELECT A SETTING (THE NCRS SETTING IN THIS EXAMPLE)



OVERVIEW

USING HELM COMMAND - BUTTON SHORTCUTS

A black, rubber keypad surrounds the knob with 5 different buttons. These buttons act like shortcuts, or hot keys, and allow the user to quickly jump to certain menus, tabs and frequently used settings.



The Volume, User and Speed Control buttons will each open up a unique pop-up menu when pressed. Each of those pop-up menus will close when that same button is pressed again.



MAP MENU



FIG. M2 - FULL MAP ON THE MAP MENU

FULL MAP TAB

The Full Map tab shows a larger, fullscreen view of the map.

The Full Map tab includes the same four functions as the Mini Map tab, but also features a **slideout window** for waypoints and tracks. To view the slideout window, either press the yellow arrow icon on the screen (to the right side of Fig. M2) or joystick over to the right with the Helm Command knob

Waypoints allow the operator to mark certain areas of interest with one of the four map waypoint icons (fish, anchor, gas pump, or flag).

Tracks allow the operator to save the track, or path, of the boat.

Please see the new couple of pages to learn about the operation of the slideout menu, waypoints, and tracks on the full map tab.



MAP MENU



FIG. M1 - MINI MAP ON THE MAP MENU

MINI MAP TAB

The Map Menu displays an overhead map of the boat, represented by a green boat icon, and shows surrounding bodies of water. Latitude and Longitude coordinates are displayed at the bottom of the pages in the gray transparent box. Also, a scale bar is shown in the lower left corner of the page to reference scale of land masses and bodies of water.

The Mini Map tab contains four mapping functions:

Enable Joystick - if selected, enables the operator to move around the map by moving the Helm Command knob like a joystick. The operator can joystick in four directions: up, down, left, and right

Course Up/North Up - toggles orientation of the map. Course Up will rotate the map according to where the front of the boat is pointed to. North Up will always orient the map to where North is at the top of the screen.

Zoom In (plus sign) - Zooms in on the map

Zoom Out (minus sign) - Zooms out on the map



OVERVIEW

USING HELM COMMAND - VOLUME BUTTON

Pressing the Volume button opens a pop-up to allow the operator to quickly change the volume and the track from any menu (see Fig. B1).



FIG. B1 - POP-UP AFTER PRESSING THE VOLUME BUTTON ON HELM COMMAND

Once the Volume pop-up appears in the center of the screen, the operator can perform the following functions:

Changing the Volume - by either rotating the Helm Command knob either direction or by pressing the plus and minus icons via touchscreen

Pause/Play (or Mute/Un-mute) - by pressing down on the Helm Command knob or by pressing the pause icon via touchscreen.

Changing the Track (or Frequency) - by either joysticking the Helm Command knob either left or right, or by pressing the next track and previous track icons via touchscreen

NOTE: If the "stereo is off" is listed in this pop-up, simply press down on the knob to turn the stereo on.



OVERVIEW

USING HELM COMMAND - USER BUTTON

Pressing the User button opens a drop-down menu to allow the operator to quickly view current user settings and switch user profiles (see Fig. B2).



FIG. B2 - DROP-DOWN MENU AFTER PRESSING THE USER BUTTON ON HELM COMMAND

Once the User drop-down menu appears at the left side of the screen, the operator can perform the following functions with the Helm Command knob or via the touchscreen:

Save Altered - This will save any altered settings, which are noted by orange "!" icons, to the current user profile.

Exit - This will exit out of the User drop down menu and return to the previous screen.

Switching to a Different User Profile - Four of the most recently activated user profiles will be listed towards the bottom of the drop down menu. The boat will immediately adjust to new settings if one of those four profiles are selected from this menu.



USER MENU



FIG. L4 - NEW USER TAB (EDIT USER SCREEN TO ADJUST SETTINGS)

NEW USER TAB

After the name is entered for the new user, the "Edit User" screen will appear. This screen allows the operator to change each individual setting for the user profile, including ballast tank levels, set speed, NCRS settings, and NSS settings (if applicable). The NSS setting and Surf Side are only available when the set speed is below 13.0 mph (20.9 kph).

These settings will occupy the left and the right sides of the screen when the operator is editing a user profile

When finished, either press "cancel" to cancel out of the new user process or press "save changes" to save the newly created user profile and return to the User List tab.



USER MENU



FIG. L3 - NEW USER TAB (KEYBOARD FOR NEW USER PROFILE NAME)

NEW USER TAB

Pressing the New User tab will send the operator to a full screen keyboard to enter in the name for the new user profile.

This keyboard can be used via touchscreen or via the Helm Command Knob. The orange box highlights which key you are on with the knob and pushing down on the knob it enters that character onto the user name text box.

When finished with the user name, press the "enter" key to move to the next step.



OVERVIEW

USING HELM COMMAND - SPEED CONTROL BUTTON

Pressing the Speed Control button opens a pop-up to allow the operator to quickly change the set speed from any menu (see Fig. B3).



FIG. B3 - POP-UP AFTER PRESSING THE SPEED CONTROL BUTTON ON HELM COMMAND

Once the Speed Control pop-up appears, the operator can perform the following functions:

Changing the Set Speed - by either rotating the Helm Command knob either direction or by pressing the plus and minus icons via touchscreen

Speed Control On/Off- by pressing down on the Helm Command knob or by pressing the pause icon via touchscreen.



OVERVIEW

USING HELM COMMAND - TAB BUTTON

Pressing the Tab button will change the currently viewed page from the current tab to the next tab. Pressing the tab button multiple times will cycle through all of the tabs. The two screenshots below illustrate an example of pressing the Tab button on the Home menu.

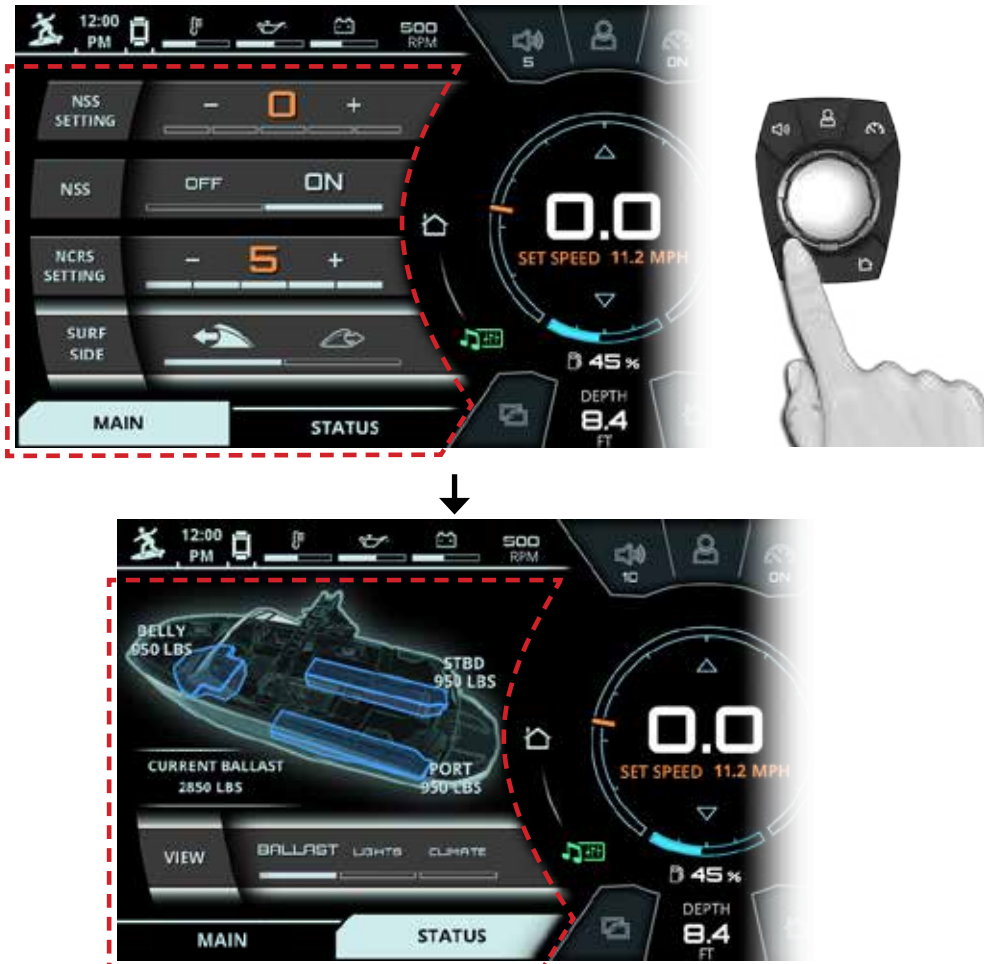


FIG. B4 - PRESSING THE TAB BUTTON ON HELM COMMAND TO CHANGE TO THE "STATUS" TAB



USER MENU

USER LIST TAB

Edit - sends the operator to the "Edit User" screen to allow the operator to change each individual setting on the user profile.

Delete - deletes the user profile. If pressed, a warning message will appear asking the operator if he/she really wants to permanently delete the user profile



FIG. L2 - USER LIST TAB ON THE USER MENU (WITH A USER PROFILE IN THE SELECTED STATE)



USER MENU



FIG. L1 - USER LIST TAB ON THE USER MENU

USER LIST TAB

The User Menu displays user profiles which contain pre-set speed, ballast, NCRS and NSS settings.

LINC 3.0 comes with 8 pre-loaded user profiles and the ability to create additional user profiles. The operator may delete all of the pre-loaded user profiles except for "Back to Dock". The operator may have a total of 16 different, unique user profiles

The User List tab provides a list of all pre-loaded and created user profiles. As the operator scrolls through different user profiles, the different setting for each highlighted user profile will appear at the top portion of the page (see Fig. L1).

When a user profile is in the selected state, four options will appear (see Fig. L2 in the following page):

Back arrow - pressing this will return the operator to the user list to scroll through user profiles again

Activate - activates the user profile settings and sends the operator to the Home Menu



OVERVIEW

USING HELM COMMAND - HOME BUTTON

Pressing the Home button will always take the operator back to the Home menu so that he/she can have quick access to vital settings and gauges. The two screenshots below illustrate an example of pressing the Home button to transition from the Ballast menu to the Home menu.



FIG. B5 - PRESSING THE HOME BUTTON TO RETURN TO THE HOME MENU



HOME MENU



FIG. C1 - MAIN TAB ON THE HOME MENU, WAKEBOARD SPEED (G AND GS MODELS)

MAIN TAB - WAKEBOARD SPEED (G and GS Models)

This tab will appear if the set speed is in an optimal range for wakeboarding, which is at or above 13.0 mph (20.9 kph). This tab is dedicated to displaying the two NCRS (Nautique Configurable Running Surface) settings.

The G-Series and GS-Series boats feature the Nautique Configurable Running Surface (NCRS) system. NCRS is an active vessel control system that uses the Nautique Hydro-Plate (shown in Fig. C2) to change the attitude or running angle of the boat based on user setting, ballast levels, and dynamic conditions. By controlling the boat's attitude, the NCRS system aids in planing, helps keep the boat on plane in tight turns, and reduces bow rise for improved visibility. NCRS also functions as a wake shaping device. By varying the NCRS Setting from 0 to 5, the user can transform the shape of the wake from a rounded mellow ramp to a pro level lip in seconds.

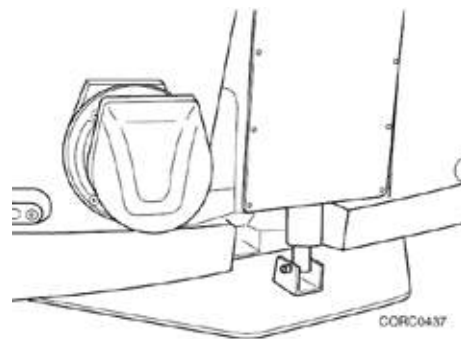


FIG. C2 - NAUTIQUE HYDRO-PLATE (LOCATED AT THE REAR OF THE BOAT)



SWITCHING MENU



FIG. K3 - FEATURES TAB ON THE SWITCHING MENU

FEATURES TAB

The Features tab displays the locations of key features of the boat on a 3D model. This includes the following features:

- 12 Volt Outlets
- USB Inputs
- 3.5 mm Auxiliary Input
- T-Handle drain
- Batteries
- Bilge Pump

The operator cannot control any of the above features through LINC, this tab is meant to just simply display the location of those features for reference.



SWITCHING MENU



FIG. K2 - CLIMATE TAB* ON THE SWITCHING MENU

CLIMATE TAB*

***NOTE** - the heater switches shown in the above example are optional and are not equipped on every boat. This tab only exists if those heater switch options are equipped.

From the Climate tab, the operator may turn on/off the heater fan and driver seat heater.

The current on/off state of the passenger seat heater is shown here, but it cannot be controlled by LINC; that switch is located on top of the deck just aft of the passenger's seat (aka observer's seat, love seat).

The Climate tab also displays the current air and water temperatures in the top portion of the page.



HOME MENU

MAIN TAB - WAKEBOARD SPEED (G and GS Models)

The user has two settings he or she can use to interact with the NCRS system, along with Speed Control On/Off which also affects the NCRS control. For the most effective NCRS response, toggle Speed Control to ON. The user should ask these two questions to decide how to set the NCRS:

Do I want help with planing and staying on plane in tight turns?

Plane Assist - Off/Low/High - this allows the user turn on the Auto Deploy feature which will move the Hydro-Plate to position targets based on the Plane Assist setting, ballast levels, and dynamic conditions

- a. Off - the Hydro-Plate will remain at the NCRS Setting position
- b. Low - the Hydro-Plate will move up or down in smaller increments to help the boat get on plane quickly and stay on plane in tight turns. This setting is recommended for boats that are lightly loaded and have a small number of passengers
- c. High - the Hydro-Plate will move up or down in larger increments to help the boat get on plane quickly and stay on plane in tight turns. This setting is recommended for boats that are heavily loaded and have a large number of passengers

How large/steep do I want the wake once my desired speed is reached?

NCRS Setting - This allows the user to enter a value of 0 to 5 which controls the Wake Size/Shape by controlling the final Hydro-Plate position once the boat has reached its desired Set Speed.

- a. 0 - Smallest and Most Rounded Shaped Wake
- b. 5 - Largest and Most Vert Shaped Wake



HOME MENU



FIG. C3 - MAIN TAB ON THE HOME MENU, SURF SPEED (G AND GS MODELS)

MAIN TAB - SURF SPEED (G and GS Models)

This tab will appear if the set speed is in an optimal range for surfing, which is below 13.0 mph (20.9 kph).

This tab is dedicated to displaying NCRS (Nautique Configurable Running Surface) and NSS (Nautique Surf System) settings. NCRS and NSS are used to adjust the shape of the wave for different surfing preferences.

NSS Setting - used to adjust steepness. 5 is associated with the most vert wakesurf wave, and is also the most likely to be “washy” due to how steep the wave is. Having an NSS setting of 0 would create the mellowest or most ramp-like wakesurf wave, which would also create the “cleanest” wakesurf wave. The factory NSS setting has been set to 0 because with factory ballast, this creates the best all-around wave for the user.

NSS - turns the Nautique Surf System On and Off. In the screenshot above, NSS is On.



SWITCHING MENU



FIG. K6 - FAVORITE COLORS POP-UP, OPTIONS FOR EACH COLOR

COURTESY COLOR* - FAVORITE COLORS

Delete - will delete the color name and information from that particular slot. Once deleted, the slot will then say <EMPTY>.



SWITCHING MENU



FIG. K5 - FAVORITE COLORS POP-UP FOR THE COURTESY COLOR TAB ON THE SWITCHING MENU

COURTESY COLOR* - FAVORITE COLORS

Favorite Colors - brings up a pop-up menu that allows the operator to choose a factory pre-set /saved color for the courtesy lights (See Fig. K5). There are 12 colors that are factory pre-set; most of these colors are matched specifically to Nautique's vinyl colors. In addition to these 12 colors, there is room for 4 more additional, operator-selected colors. Please note that the 12 factory pre-set colors and the 4 other user-selected colors can be deleted or overwritten. A factory rest of the LINC system will default the system back to the 12 factory pre-set colors and the 4 empty slots.

When a color slot is selected in the Favorite Colors pop-up, several options appear (see Fig. K6):

Back Arrow Icon - Will take the operator back to the list of favorite colors

Select - Will immediately change all courtesy lights to that specific color

Overwrite - Will overwrite that slot with the current color of the courtesy lights. An additional Keyboard pop-up will appear to allow the user to rename that color slot.



HOME MENU

MAIN TAB - SURF SPEED (G and GS Models)

NCRS Setting - used to control steepness and can be used in conjunction with NSS setting. As with NSS, having an NCRS setting of 5 would create the steepest wakesurf wave. An NCRS setting of 0 would create the most ramp-like wave. Unlike NSS, an NCRS setting of 5 tends to create the cleanest wave and having a NCRS setting of 0 tends to create a wave more likely to "wash out".

Surf Side - displays which side the surf wave is on. The wave icon with the arrow pointing to the left indicates the Port side and the wave icon with the arrow pointing to the right indicates the Starboard side (driver's side). In the screenshot, the surf wave is set on the Port side. To change which side the surf wave is on, simply press the surf wave icon that is not highlighted. If the operator presses the surf wave icon that is not highlighted while driving at set speed, the surf wave will quickly move to that side.

Please note that in Fig. C3 the actual speed is listed at 0.0 mph, meaning the boat is not moving and is not traveling at the set speed of 11.2 mph. Because the boat is not at the set speed, the NSS Setting and NCRS Setting numbers are shown in an Orange color; this is to let the operator know that the NSS and NCRS plates are not at their set position. When set speed is achieved, those numbers will change to a light blue/white color to notify the user that those plates have moved to their set position. Changing the NSS or NCRS settings before the boat is close to set speed (while NSS and NCRS numbers are orange) will have no immediate effect on the shape of the wave.



HOME MENU



FIG. C4 - MAIN TAB ON THE HOME MENU, WAKEBOARD SPEED (210 AND 230 MODELS)

MAIN TAB - WAKEBOARD SPEED (210 and 230 Models)

This tab will appear if the set speed is in an optimal range for wakeboarding, which is at or above 13.0 mph (20.9 kph). This tab is dedicated to displaying the two NCRS (Nautique Configurable Running Surface) settings.

This 210 and 230 boat models feature an actuated Hydro-Gate system in order to aid the boat in getting on plane and to shape the wake for skiing, wakeboarding or surfing. When the Hydro-Gate is lowered, towards the "0" setting, it creates maximum lift for a wake with a well-defined crest and shallower ramp. When the Hydro-Gate is raised, towards the "5" setting, it allows the boat to sit deeper in the water, creating the maximum size wake with a steep ramp.

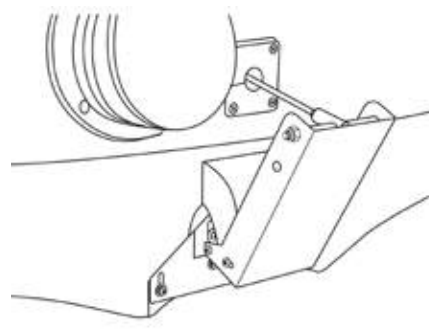


FIG. C5 - NAUTIQUE HYDRO-GATE (LOCATED AT THE REAR OF THE BOAT)



SWITCHING MENU



FIG. K4 - COURTESY COLOR* TAB ON THE SWITCHING MENU

COURTESY COLOR*

***NOTE** - The Courtesy Color tab is only available to boats that are equipped with the Enhanced Courtesy Lighting Package option (available on G and GS boats).

The Courtesy Color tab enables the operator to customize the color and brightness of the courtesy lights in the boat, which includes the small circular courtesy lights, lighted cup holders, and the lighted Nautique badges.

Courtesy Lights - turns all of the courtesies lights on or off

Courtesy Brightness - adjusts the brightness of the courtesy lights in increments of 10%

Courtesy Color Cycle - will constantly cycle through multiple colors if turned on. The courtesies lights will slowly fade from one color to another.

Courtesy Color - will select one color for all courtesies lights (unless Courtesy Color Cycle is turned on). White will be selected by default. Users can scroll through the spectrum bar either by touchpoint or by using the Helm Command rotary knob

(Favorite Colors explained on next two pages)



SWITCHING MENU



FIG. K1 - LIGHTS TAB* ON THE SWITCHING MENU

LIGHTS TAB*

***NOTE** - some of the lights shown in above screenshot are optional and are not equipped on every boat.

The Switching Menu displays digital switches for lights, the heater fan and the seat heater pads in the driver's seat.

The Lights tab shows on/off switches for some of the boat's lighting. Please note that the Nav/Anchor light switch is located on the keypad below the LINC display.



HOME MENU

MAIN TAB - WAKEBOARD SPEED (210 and 230 Models)

The user has two settings he or she can use to interact with the NCRS system, along with Speed Control On/Off which also affects the NCRS control. For the most effective NCRS response, toggle Speed Control to ON. The user should ask these two questions to decide how to set the NCRS:

Do I want help with planing and staying on plane in tight turns?

Plane Assist - Off/On - this allows the user turn on the Auto Deploy feature which will move the Hydro-Gate to position targets based on speed in order to help the boat with getting on plane or staying on plane.

a. Off - the boat will remain at the Hydro-Gate Setting position, regardless of speed.

c. On - the Hydro-Gate will move up or down in larger increments to help the boat get on plane quickly and stay on plane in tight turns. This setting is recommended for boats that are heavily loaded and have a large number of passengers.

How large/steep do I want the wake once my desired speed is reached?

Hydro-Gate Setting - This allows the user to enter a value of 0 to 5 which controls the Wake Size/Shape by controlling the final Hydro-Gate position once the boat has reached its desired Set Speed.

a. 0 - Smallest and Most Rounded Shaped Wake

b. 5 - Largest and Most Vert Shaped Wake



HOME MENU



FIG. C6 - NCRS/NSS TAB ON THE HOME MENU, SURF SPEED (210 AND 230 MODELS)

MAIN TAB - SURF SPEED (210 and 230 Models)

This tab will appear if the set speed is in an optimal range for surfing, which is below 13.0 mph (20.9 kph).

This tab is dedicated to displaying Hydro-Gate and NSS (Nautique Surf System) settings. The Hydro-Gate and NSS settings are used to adjust the shape of the wave for different surfing preferences.

NSS Setting - used to adjust steepness. 5 is associated with the most vert wakesurf wave, and is also the most likely to be “washy” due to how steep the wave is. Having an NSS setting of 0 would create the mellowest or most ramp-like wakesurf wave, which would also create the “cleanest” wakesurf wave. The factory NSS setting has been set to 0 because with factory ballast, this creates the best all-around wave for the user.

NSS - turns the Nautique Surf System On and Off. In the screenshot above, NSS is On.



BALLAST MENU



FIG. J3 - OVERHEAD TAB ON THE BALLAST MENU

OVERHEAD TAB (WITH BALLAST SHIFT)

The Overhead tab on the Ballast Menu gives a 3D view of the boat which shows tank levels in weight (lb or kg) and visually illustrates which tanks are currently filling or draining with an animated arrow graphic (no tanks are filling or draining in the above screenshot)

The Overhead tab also features a “Ballast Shift” function. “Ballast Shift” allows the operator to shift weight Port-to-Starboard, or vice versa, in 50 lb (23 kg) increments. This is useful when the boat is slightly unbalanced and needs to have weight adjusted in small increments.

To use “Ballast Shift”, just select “Ballast Shift” and set the amount of weight to be shifted to the Port or Starboard sides. After a short verification period, the boat will then turn on the ballast pumps to fill /drain the proper pumps to shift the selected amount of weight over.



HOME MENU

MAIN TAB - SURF SPEED (210 and 230 Models)

Hydro-Gate Setting - used to control steepness and can be used in conjunction with NSS setting. As with NSS, having a Hydro-Gate setting of 5 would create the steepest wakesurf wave. A Hydro-Gate setting of 0 would create the most ramp-like wave. Unlike NSS, a Hydro-Gate setting of 5 tends to create the cleanest wave and having a NCRS setting of 0 tends to create a wave more likely to “wash out”.

Surf Side - displays which side the surf wave is on. The wave icon with the arrow pointing to the left indicates the Port side and the wave icon with the arrow pointing to the right indicates the Starboard side (driver’s side). In the screenshot, the surf wave is set on the Port side. To change which side the surf wave is on, simply press the surf wave icon that is not highlighted. If the operator presses the surf wave icon that is not highlighted while driving at set speed, the surf wave will quickly move to that side.

Please note that in Fig. C6 the actual speed is listed at 0.0 mph, meaning the boat is not moving and is not traveling at the set speed of 10.5 mph. Because the boat is not at the set speed, the NSS Setting and Hydro-Gate Setting numbers are shown in an Orange color; this is to let the operator know that the NSS plates and the Hydro-Gate are not at their set position. When set speed is achieved, those numbers will change to a light blue/white color to notify the user that those plates have moved to their set position. Changing the NSS or Hydro-Gate settings before the boat is close to set speed (while NSS and Hydro-Gate numbers are orange) will have no immediate effect on the shape of the wave.



HOME MENU



FIG. D1 - STATUS TAB ON THE HOME MENU

STATUS TAB

This tab displays the current status of boat sub-systems in different 3D views. (The G23 Model is shown in Fig. D1)

- Ballast** - displays current levels/weights for all three ballast tanks
- Lights** - displays which light circuits are currently on in the boat
- Climate** (if equipped) - If seat heaters are equipped, this view will display whether or not the driver and passenger seat heaters are on

The Status tab does not allow the operator to adjust different ballast, light, or climate settings. Please see the Ballast or Switching menus to adjust those settings.



BALLAST MENU



FIG. J2 - SET LEVEL TAB ON THE BALLAST MENU

SET LEVEL TAB

The Set Level tab enables the operator to set desired ballast tank levels in 10% increments.

To set a ballast tank level, select a ballast tank and increase or decrease the level as desired. The set level is indicated by a triangle icon; this triangle icon will move along the tank's segmented bar gauge graphic.

When all tank levels are properly set, press "Go to Set Levels" and the pumps will automatically fill or drain each tank to their set levels.

Once again, the operator may, at any time, press "stop pump(s)" to turn the pump(s) off.

Please note that each of the default, factory user profiles come with pre-determined ballast tank set levels.



BALLAST MENU



FIG. J1 - MANUAL TAB ON THE BALLAST MENU

MANUAL TAB

The Super Air Nautique boats contain integrated ballast tanks that use pumps to fill or drain the tanks with water for the purposes of enhancing the wake size/shape for wakeboarding. The Ballast Menu allows the operator to adjust how those ballast tanks are filled or drained.

The Manual tab will allow the operator to manually turn the ballast pumps on/off to fill or drain the ballast tanks.

If an operator presses "Fill" on a particular tank, the pump will stay on and continue to fill that tank until it is 100% full. The operator may, at any time, press "stop pump(s)" to turn the pump(s) off.

If an operator presses "Drain" on a particular tank, the pump will stay on and continue to drain that tank until it is completely empty, at 0%. Once again, the operator may, at any time, press "stop pump(s)" to turn the pump(s) off.

The "Quick Toggle" feature allows the operator the fill or drain all ballast tanks simultaneously.



HOME MENU



FIG. E1 - RIVER MODE TAB ON THE HOME MENU

RIVER MODE TAB*

***NOTE:** River Mode is turned on/off from the Preferences Menu, under the Settings tab. River Mode is turned off by default and will **not** be displayed as a tab unless the setting is turned on in the Preferences Menu.

LINC's River Mode is a feature that allows the driver to keep the boat's speed-over-water constant at the push of a button when a current is present. To compensate for the current, the boat's speed-over-ground or "GPS speed" must be adjusted up or down, depending on the direction of the boat relative to the current. River Mode has two key settings:

River Current - should be pressed when driver is changing directions from traveling against-the-current to traveling with-the-current, or vice versa.

River Offset - should be adjusted up or down to equal the estimated current speed. This offset number will be added to or subtracted from the GPS speed depending on the River Current direction.

In River Mode, the number displayed as the current speed (shown as the big, white 11.2 in Fig. E1) is the speed-over-water. Speed-over-water is the GPS speed (11.7 mph in the above example) plus or minus the River Offset number (-0.5 in Fig. E1, since the boat is traveling with the current flow).



HOME MENU



FIG. E2 - RIVER MODE FOR BOATS EQUIPPED W/ PADDLE WHEEL

RIVER MODE TAB*

***NOTE:** River Mode is turned on/off from the Preferences Menu, under the Settings tab. River Mode is turned off by default and will **not** be displayed as a tab unless the setting is turned on in the Preferences Menu.

If your boat is equipped with Paddle Wheel speed control, Then additional functions will appear in the River Mode tab (as shown in Fig. E2).

Speed Input - toggles the speed control between “default” (which is a GPS speed control with occasional inputs from the Paddle Wheel) and “Paddle Wheel” (which is speed control derived from the Paddle Wheel device). In general, GPS is more accurate, but does not account for the speed of the river current and thus requires additional user input for the river current speed or “river offset”. Paddle Wheel speed control is not as accurate as GPS, but takes the speed of the river current into account, thus requiring less input from the user. (Fig. E3 on the next page shows what the interface looks like when “Paddle Wheel” is selected).



GOPRO MENU



FIG. H9 - SELECTING A FILE ON THE GALLERY TAB



FIG. H10 - APPEARANCE OF GALLERY TAB IF NO GOPRO CAMERA IS CONNECTED



GOPRO MENU



FIG. H8 - GALLERY TAB ON THE GOPRO® MENU

GALLERY TAB

The Gallery allows the operator to preview files on a connected GoPro® camera through the LINC screen. The main purpose of the Gallery tab is to allow the operator to quickly sort through files and see which ones should be kept and which ones should be deleted.

The file menu below the viewing area will allow the operator to scroll through all files that are stored on the connected GoPro® camera. As the operator highlights a file, an image preview will appear in the viewing area. Please note that when a video is highlighted, only a still image will appear in the viewing area.

When the file is selected, the operator can choose to go back to the file menu or can choose to delete that file.

If there is no GoPro® camera connected, then a message will appear saying "GoPro Gallery is Currently Unavailable".



HOME MENU



FIG. E3 - RIVER MODE TAB W/ PADDLE WHEEL SPEED INPUT

RIVER MODE TAB*

Paddle Wheel Offset - lets the operator adjust the offset of the paddle wheel speed input. The Paddle Wheel Offset is calibrated from the factory, so it is recommended that the operator leave this setting alone unless they suspect that the Paddle Wheel needs re-calibrating so that the boat can achieve the proper speed. When in doubt, contact your local dealer if you think the boat is measuring the incorrect speed or think you need to adjust the Paddle Wheel Offset.



HOME MENU



FIG. F1 - STEERING ASSIST TAB* ON THE HOME MENU

STEERING ASSIST TAB

***NOTE** - The above screenshot shows the Steering Assist tab if Nautique Integrated Steering Assist (NISA) is equipped. NISA is an option that is only available on Super Air Nautique G21, G23, and G25 boats.

Nautique Integrated Steering Assist utilizes a stern thruster mounted on the rear of the boat to supplement the steering in forward and reverse as well as helping to reposition the boat at rest. Nautique Integrated Steering Assist can only be used when the engine is running AND the boat speed is under 4 mph (6.5 kph).

WARNING - Just like a boat propeller, the NISA thruster propeller rotates at a high rate of speed and while it is in use the rotating propeller may cause serious injury or death. You should not approach the ladder or swim platform while it is in operation. Even though the propeller is contained within a tunnel, there is a large volume of water pulled through the tunnel by the propeller when it is in-use, which results in potential for limbs to be pull towards the blades.

The NISA thruster is designed for low speed use only. To optimize the run time of the thruster it should be used at rest or with the boat in gear at idle. Sudden increases in speed and sharp turns at increased engine speed can produce



GOPRO MENU



FIG. H7 - POP-UP MENU FOR CONNECTING A NEW GOPRO® CAMERA



GOPRO MENU



FIG. H6 - CONNECTING TO A SAVED GOPRO® CAMERA*

SETTINGS TAB - SAVED GOPRO® CAMERAS

***NOTE** - Before initiating the connecting process through LINC, make sure that your wireless network is turned on from your GoPro® camera.

To re-connect to a previously connected GoPro camera, select “Saved GoPro Cameras” and a pop-up menu will appear (see Fig. H7).

Scroll through the list of previously connected GoPro cameras and select the desired camera.

The pop-up menu will then disappear and the name of the camera will appear with a battery status icon and the “Connected” text. At this stage, you may now remotely control your GoPro® camera through the “Control” tab or you may view the saved files on your GoPro® camera through the “Gallery” tab.



HOME MENU



FIG. F2 - AUTO STEERING ASSIST SET TO LOW AND THRUSTER IN USE (BLUE GRAPHICS)

STEERING ASSIST TAB

turbulence which could result in cavitation of the propeller. In lightly loaded scenarios it is also helpful to have the boat weighted so that it is level port to starboard.

Auto Steering Assist - Off/Low/High - this will enable the automatic steering assist feature, which will determine the direction and amount of thrust based off of the steering wheel position and the direction the throttle is put into gear. In forward gear, moving the wheel to starboard will cause the bow to move to starboard. Moving the wheel to port will cause the bow to move towards port. When the boat is in reverse gear, moving the wheel to starboard will cause the transom to move towards starboard. Moving the wheel to port will cause the transom to move towards port (just as a car would steer in reverse backing up).

With the wheel “centered” there will be no output commanded from the Automatic Steering Assist. There is a “dead band” with the wheel centered and just off center to the port and starboard to allow a neutral area/starting point. As the wheel is moved outside the “dead band” the gauge on the display indicates amount of thrust being commanded (this is also an indication of steering wheel/rudder position). Use the minimal amount of thrust required to get the



HOME MENU



FIG. F3 - MANUAL STEERING, BOW PORT SELECTED. THRUSTER IS IN USE (BLUE GRAPHICS)

STEERING ASSIST TAB

(Automatic Steering Assist advice continued)

response needed for the maneuver in order to optimize run time of the thruster. This means rotating the wheel slowly from the “dead band” in the direction you desire until the desired amount of movement of the boat is achieved. It is also best practice to keep the thruster on the lowest thrust setting (low or high) required for load or conditions.

Manual Steering Assist - Bow Port/Bow Starboard - the Manual Steering Assist feature allows the operator to manually reposition the boat while the boat is at rest without a) input from the steering wheel or b) having to be in gear. The operator may select either of the two Manual Steering Assist options by either touching those icons on the display or by selecting them with the Helm Command rotary knob. To select them with the rotary knob, highlight the Manual Steering Assist graphic and then press the knob down like a button. The graphic will then turn white; while the graphic is white, tilt the knob like a joystick left (port) or right (starboard). Full, 100% thrust will continue to be given for as long as the knob is tilted left/right or for as long as one of the touchpoints icon is pressed.



GOPRO MENU



FIG. H4 - POP-UP MENU FOR CONNECTING A NEW GOPRO® CAMERA



FIG. H5 - POP-UP MENU FOR ENTERING WIFI PASSWORD FOR A GOPRO® CAMERA



GOPRO MENU



FIG. H3 - CONNECTING TO A NEW GOPRO® CAMERA*

SETTINGS TAB - CONNECTING A NEW GOPRO® CAMERA

***NOTE** - Before initiating the connecting process through LINC, make sure that your wireless network is turned on from your GoPro® camera.

To add a new camera, select "New GoPro Camera" and a pop-up menu will appear.

From the pop-up menu, select "Scan for GoPro Cameras" so that LINC can search for nearby wireless networks. When the scanning process is complete, a list of available wireless networks will appear with the signal strength indicated to the left of the network name.

Scroll down to select the desired camera. From there, a keyboard will pop up for you to enter the password for the GoPro WiFi (the password may be displayed on your camera's screen).

After entering the password, the pop-up menu will disappear, the system will finish the connecting process with the camera, and then the name of the camera will appear with a battery status icon and the "Connected" text. At this stage, you may now remotely control your GoPro® camera through the "Control" tab or you may view the saved files on your GoPro® camera through the "Gallery" tab.



HOME MENU



FIG. F4 - ORANGE COLORED GRAPHICS, STERN THRUSTER NOT IN USE



FIG. F5 - BLUE COLORED GRAPHICS, STERN THRUSTER IN USE

STEERING ASSIST TAB

If your boat is equipped with NISA, then NISA related graphics will be displayed above the speedometer. The color of the NISA graphics will change depending on the condition of the system.

If Auto Steering Assist is set to Low or High, then the text "Auto Steering Assist" will be displayed to inform you that NISA will automatically activate the stern thruster when 1) the boat is below 4 mph 2) the boat is in gear and 3) the steering wheel is turned past the "dead band".

The curved line below the text indicates the amount of run time that the stern thruster can be used; the smaller the curved line, the smaller amount of run time that remains.

The segmented gauge illustrates the current steering wheel/rudder position. This will correspond to the amount of thrust when Auto Steering Assist is turned to Low or High.

ORANGE Colored Graphics (Fig. F4) - the NISA stern thruster is not currently in use.

BLUE Colored Graphics (Fig. F5) - the NISA stern thruster is currently in use, either from the Automatic Low/High setting or from one of the Manual port/starboard inputs. If the stern thruster is in-use from the Low/High Automatic settings, the amount of thrust will be determined by the steering wheel position (so 3/5 of available thrust would be given in Fig. F5).



AUDIO MENU



FIG. G1 - MAIN TAB ON THE HOME MENU

MAIN TAB

The Media Menu provides universal control to the audio system, containing all of the same controls and settings as the stereo head unit.

The Main tab contains the following items, in order from top to bottom:

Currently playing track and artist (or radio station)

Previous Track/Next Track (or seek backward/seek forward) - skips to the previous song or the next song if using Bluetooth or USB inputs (or it will change the frequency/channel if using AM, FM or SiriusXM radio inputs)

Play/Pause (or Unmute/Mute) - will toggle Play/Pause if using Bluetooth or USB inputs (or it will toggle Unmute/Mute if using AM, FM, SiriusXM or Auxiliary inputs)

Source - displays the currently selected audio source. The operator can change between the AM radio, FM radio, Auxiliary input, SiriusXM satellite radio, USB device, Weather Band, Bluetooth audio and turning the stereo off in this area.



GOPRO MENU



FIG. H2 - SETTINGS TAB ON THE GOPRO® MENU

SETTINGS TAB

The Settings tab contains the following information/functions, in order from top to bottom:

Camera Name - The upper area will contain the name of the currently connected GoPro® camera and the current battery status. If a camera is not connected through WiFi, then this area will display a "not connected" message.

New GoPro® Camera - Will bring up a pop-up menu so that the operator can connect a new GoPro® camera through WiFi. (Please see the following pages for further instructions of the connecting process)

Saved GoPro® Cameras - Will bring up a pop-up menu of the previously used GoPro® cameras. The operator may then choose to connect or delete any previously used cameras.

GoPro® Auto Record - If video or photo timelapse mode are selected, Auto Record will automatically start recording once the boat's speed is greater than 8 mph and will automatically stop recording once the boat's speed is less than 7 mph.



GOPRO MENU



FIG. H1 - CONTROL TAB ON THE GOPRO® MENU

CONTROL TAB

The GoPro® Menu allows the operator to control a GoPro® camera through a WiFi connection with the LINC screen. In order to connect to the LINC screen, you must use a GoPro® camera with built in WiFi functionality (HERO4 or newer).

The Control tab contains the following information/functions, in order from top to bottom:

Camera Info/Preview - If a GoPro® camera is connected, this area will contain the resolution/frames per second, current battery level, and recording time remaining (or number of images remaining). This area also contains a preview window that can display a live video feed from the connected camera. Please note that this preview feature will be unavailable while the camera is recording/in-use.

GoPro® Record/Capture/Timelapse - If in video mode, this will start or stop video recording. If in single photo mode, this will take one picture. If in burst photo mode, this will take multiple pictures. If in Timelapse photo mode, it will start or stop the timelapse recording.

GoPro® Mode - selects the mode of the connected GoPro® camera. The four selectable modes are 1) Video 2) Single Photo 3) Burst Photo and 4) Timelapse Photo.



AUDIO MENU

MAIN TAB

If the stereo is turned off, the screenshot depicted below in Fig. G2 will appear.

The operator can turn the stereo on through LINC 3.0 by selecting the source function throughout the Helm Command knob or by tapping the "press to turn stereo on" text via touchscreen.

The stereo can also be turned on and off from the stereo head unit, which is located inside the glove box in passenger's side of the boat, just above the observer's seat.



FIG. G2 - SCREENSHOT OF LINC 3.0 IF STEREO IS TURNED OFF



AUDIO MENU

DYNAMIC SOURCE TAB

The Dynamic Source tab is the second tab from the left on the Media menu. The title of this tab changes dynamically according to the currently selected audio source. This tab will display different functions according to the selected source. This tab will be removed when certain sources are selected. The different possible sources are listed below:

Stereo Off - stereo is turned off and the dynamic source tab is removed

AM radio - stereo plays AM radio frequencies and the dynamic source tab is removed

FM radio - stereo plays FM radio frequencies and the dynamic source tab is removed

Auxiliary input - stereo plays from the 3.5mm Auxiliary input and the dynamic source tab is removed

SiriusXM satellite radio - stereo plays SiriusXM channels and the dynamic source tab is removed

USB device - stereo plays from a device connected to the USB port in the passenger's side glove box. The "USB MENU" tab contains additional functionality to control playlists from USB devices. The Browse Files function will bring up a pop-up menu that will allow the operator to navigate through the folders and files that are on the USB connected device. Please note that it may take a while for the system to load all of the folders/files that are stored on the USB connected device.

Weather Band - stereo plays Weather Band frequencies and the dynamic source tab is removed

Bluetooth Audio - stereo plays audio from a bluetooth connected phone or device. The "BLUETOOTH MENU" tab contains additional pairing and connecting functionality. "Pair" searches for nearby Bluetooth devices to pair with. Please ensure that the Bluetooth device you are trying to connect with is in "discoverable mode" before pressing pair. The "connect/disconnect" icon and text at the bottom of the page connects or disconnects the currently paired Bluetooth device. Once connected, music from the Bluetooth device can be played through LINC.

Please see the screenshots on the following page for examples of the USB and Bluetooth dynamic source tabs.



AUDIO MENU

AUDIO SETUP TAB

Auto Vol- a feature that gradually increases the overall volume of the audio system as the operator increases the speed of the boat and it also gradually decreases the overall volume of the audio system as the operator decreases the speed of the boat.

These Auto Volume Minimum/Maximum values will automatically adapt to volume changes that the operator makes while driving. For example, if the operator is at 2 mph and he/she lowers the volume to "5", then the volume will lower to "5" whenever the operator is below 5 mph again. If the operator is driving at the set speed (25.0 mph in Fig. G6) and he/she increases the volume to "31", the volume will then become "31" whenever he/she reaches set speed again. The Minimum and Maximum values will not change until the operator changes the volume again below 5 mph (thus changing the Minimum) or changes the volume at set speed (thus changing the Maximum).

AUDIO MENU



FIG. G3 - USB MENU TAB ON THE MEDIA MENU



FIG. G4 - BLUETOOTH MENU TAB ON THE MEDIA MENU



AUDIO MENU



FIG. G5 - ZONE CONTROL TAB* ON THE MEDIA MENU

ZONE CONTROL TAB*

***NOTE** - The Zone Control tab is only available to boats that are equipped with certain speaker/audio packages.

The Zone Control tab allows the operator to individually adjust the volume level for each of the five zones of the boat listed below:

Cockpit - controls the volume level of the speakers in the main cockpit area and the bow (if equipped). Some of these speakers are located in recessed pocket panels.

Dash (if equipped) - controls the volume level of the two dash speakers or tweeters, located just behind the windshield and in front the dash (driver's side) and in front of the glove box (passenger's side)

Tower (if equipped) - controls the volume level of the tower speakers

Sub (If equipped) - controls the volume level of the subwoofer(s)



AUDIO MENU



FIG. G6 - AUDIO SETUP TA ON THE MEDIA MENU

AUDIO SETUP TAB

The Audio Setup Tab enables operators to fine tune the audio system to their preferences. The operator can adjust the overall bass, mid, treble, and Auto Volume (Auto Vol) settings from this tab.

Bass - modifies sounds from the audio system that are low in pitch

Mid - modifies sounds from the audio system that are in the frequency range between 250-2000 Hz (available if Zone Control is equipped)

Treble - modifies sounds from the audio system that are high in pitch

Balance - adjusts the sound port-to-starboard (left-to-right). Increasing the fade will increase the volume on the port side of the boat and decrease the volume on the starboard side of the boat and vice versa (not available if Zone Control is equipped)

(Auto Volume explained on following page)

