

---

# Service Manual Outline

## Section 1 - Important Information

- A - General Information
- B - Maintenance
- C - Troubleshooting

## Section 2 - Removal and Installation

- A - MCM 3.0L (181 CID) - Alpha Drive

## Section 3 - Engine

- A - 3.0L (181 CID)

## Section 4 - Electrical System

- A - Starting System
- B - Ignition System
- C - Charging System
- D - Instrumentation
- E - Wiring Diagrams

## Section 5 - Fuel System

- A - Fuel Pump
- B - MerCarb 2-Barrel

## Section 6 - Cooling System

- A - Seawater Cooled Models
- B - Closed Cooled Models

## Section 7 - Exhaust System

- A - Exhaust Manifolds / Elbows


## Section 8 - Power Steering

- A - Power Steering

Important Information	1
Removal And Installation	2
Engine	3
Electrical System	4
Fuel System	5
Cooling System	6
Exhaust System	7
Power Steering	8

---

## Notice

Throughout this publication, “Dangers”, “Warnings” and “Cautions” (accompanied by the International HAZARD Symbol ) are used to alert the mechanic to special instructions concerning a particular service or operation that may be hazardous if performed incorrectly or carelessly. **OBSERVE THEM CAREFULLY!**

These “Safety Alerts” alone cannot eliminate the hazards that they signal. Strict compliance to these special instructions when performing the service, plus “Common Sense” operation, are major accident prevention measures.

### **DANGER**

**DANGER - Immediate hazards which WILL result in severe personal injury or death.**

### **WARNING**

**WARNING - Hazards or unsafe practices which COULD result in severe personal injury or death.**

### **CAUTION**

**Hazards or unsafe practices which could result in minor personal injury or product or property damage.**

## Notice to Users of This Manual

This service manual has been written and published by the Service Department of Mercury Marine to aid our dealers’ mechanics and company service personnel when servicing the products described herein.

It is assumed that these personnel are familiar with the servicing procedures of these products, or like or similar products manufactured and marketed by Mercury Marine, that they have been trained in the recommended servicing procedures of these products which includes the use of mechanics’ common hand tools and the special Mercury Marine or recommended tools from other suppliers.

We could not possibly know of and advise the service trade of all conceivable procedures by which a service might be performed and of the possible hazards and/or results of each method. We have not undertaken any such wide evaluation. Therefore, anyone who uses a service procedure and/or tool, which is not recommended by the manufacturer, first must completely satisfy himself that neither his nor the products safety will be endangered by the service procedure selected.

All information, illustrations and specifications contained in this manual are based on the latest product information available at the time of publication. As required, revisions to this manual will be sent to all dealers contracted by us to sell and/or service these products.

It should be kept in mind, while working on the product, that the electrical system and ignition system are capable of violent and damaging short circuits or severe electrical shocks. When performing any work where electrical terminals could possibly be grounded or touched by the mechanic, the battery cables should be disconnected at the battery.

Any time the intake or exhaust openings are exposed during service they should be covered to protect against accidental entrance of foreign material which could enter the cylinders and cause extensive internal damage when the engine is started.

It is important to note, during any maintenance procedure replacement fasteners must have the same measurements and strength as those removed. Numbers on the heads of the metric bolts and on the surfaces of metric nuts indicate their strength. American bolts use radial lines for this purpose, while most American nuts do not have strength markings. Mismatched or incorrect fasteners can result in damage or malfunction, or possibly personal injury. Therefore, fasteners removed should be saved for reuse in the same locations whenever possible. Where the fasteners are not satisfactory for re-use, care should be taken to select a replacement that matches the original.

We reserve the right to make changes to this manual without prior notification.

Refer to dealer service bulletins for other pertinent information concerning the products described in this manual.

## Engine Mechanical Components

Many of the engine mechanical components are designed for marine applications. Unlike automotive engines, marine engines are subjected to extended periods of heavy load and wide-open-throttle operation and, therefore, require heavy-duty components. Special marine engine parts have design and manufacturing specifications which are required to provide long life and dependable performance. Marine engine parts also must be able to resist the corrosive action of salt or brackish water that will rust or corrode standard automotive parts within a short period of time.

Failure to use recommended Quicksilver service replacement parts can result in poor engine performance and/or durability, rapid corrosion of parts subjected to salt water and possibly complete failure of the engine.

Use of parts other than recommended service replacement parts, will void the warranty on those parts which are damaged as a result of the use of other than recommended replacement parts.

## Replacement Parts

### **WARNING**

**Electrical, ignition and fuel system components on MerCruiser Engines and Stern Drives are designed and manufactured to comply with U.S. Coast Guard Rules and Regulations to minimize risks of fire or explosion.**

**Use of replacement electrical, ignition or fuel system components, which do not comply to these rules and regulations, could result in a fire or explosion hazard and should be avoided.**

**When servicing the electrical, ignition and fuel systems, it is extremely important that all components are properly installed and tightened. If not, any electrical or ignition component opening would permit sparks to ignite fuel vapors from fuel system leaks, if they existed.**

## Models Covered in This Manual

Model	Serial Number	Model Year
MCM 3.0L Alpha	OL010042 and Above	1998 -

---

**THIS PAGE IS INTENTIONALLY BLANK**

# IMPORTANT INFORMATION

## Section 1A - General Information

**1  
A**

### Table of Contents

Table of Contents .....	1A-1	Propeller Information .....	1A-5
Introduction .....	1A-2	Water Testing New Engines .....	1A-6
How to Use This Manual .....	1A-2	Boat and Engine Performance .....	1A-6
Page Numbering .....	1A-2	Boat Bottom .....	1A-6
How to Read a Parts Manual .....	1A-3	Marine Fouling .....	1A-8
Directional References .....	1A-4	Weight Distribution .....	1A-9
Engine Rotation .....	1A-4	Water in Boat .....	1A-9
Engine Serial Number Locations .....	1A-5	Elevation and Climate .....	1A-9

# Introduction

This comprehensive overhaul and repair manual is designed as a service guide for the models previously listed. It provides specific information, including procedures for disassembly, inspection, assembly and adjustment to enable dealers and service mechanics to repair and tune these engines.

Before attempting repairs or tune-up, it is suggested that the procedure first be read through to gain knowledge of the methods and tools used and the cautions and warnings required for safety.

## How to Use This Manual

This manual is divided into sections which represent major components and systems.

Some sections are further divided into parts which more fully describe the component.

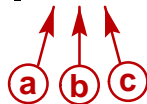
Sections and section parts are listed on the "Service Manual Outline" page following "V-8 Models Covered in This Manual" page.

## Page Numbering

Two number groups appear at the bottom of each page. Following is an example and description.

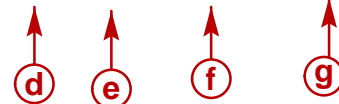
---

Page 1A-2




---

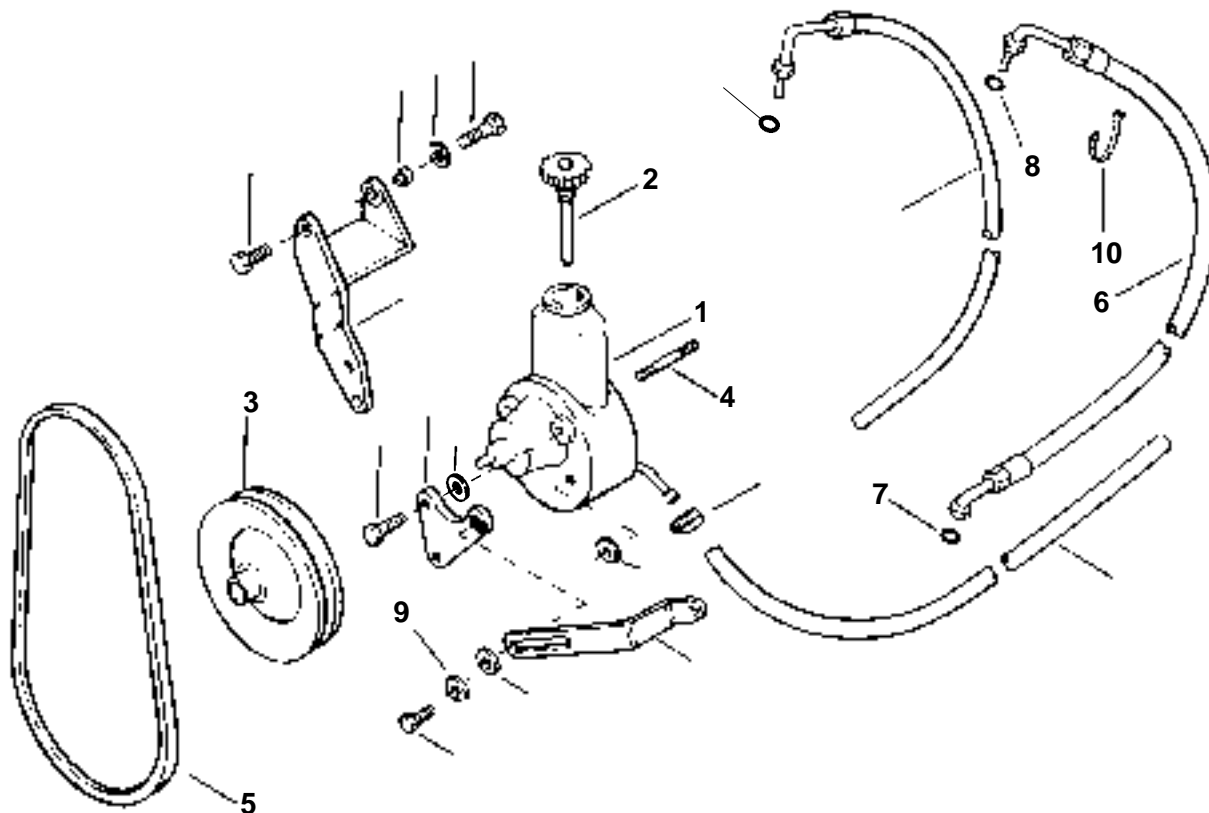
90-17431--4 FEBRUARY 1998



- a** - Section Number
- b** - Section Part
- c** - Page Number
- d** - Manual Part Number
- e** - Revision Number
- f** - Month Printed
- g** - Year Printed

# How to Read a Parts Manual

## POWER STEERING PUMP ASSEMBLY



REF. NO.	PART NO.	SYM.	QTY.	DESCRIPTION
1	90507A12		1	PUMP ASSEMBLY–Power Steering
2	36- 95805		1	CAP
3	73873A1		1	PULLEY
4	16- 41877		1	STUD
5	57- 65607T		1	V-BELT
6	32- 806684		1	HOSE–Pressure <b>(FITTINGS ON BOTH ENDS)</b>
7	25- 89879		1	O-RING
8	25- 806232		1	O-RING
9	13- 35048		1	LOCKWASHER (3/8 in.)
10	61990		1	CABLE TIE

**REF. NO. :** Number shown next to part on exploded view

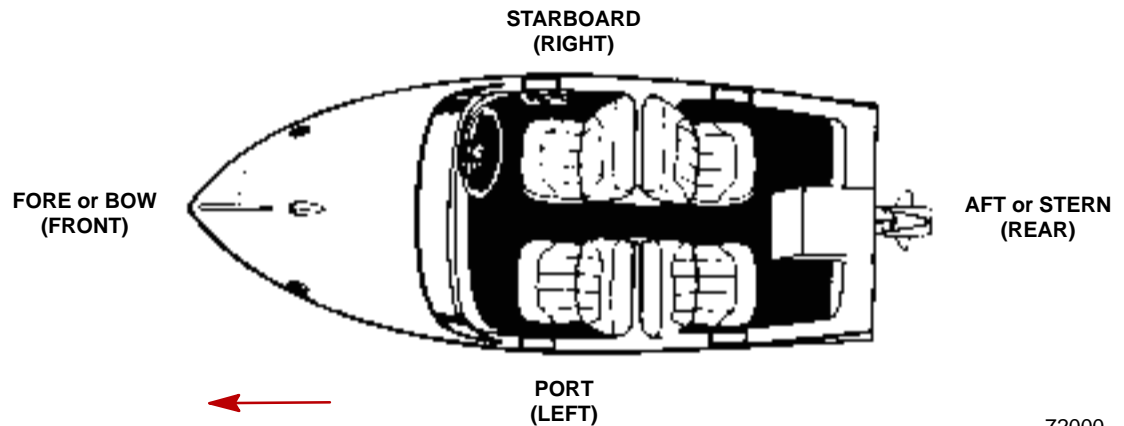
**PART NO. :** Mercury Part Number for ordering. If NSS (not sold separately) sometimes GM part number will be given in description column.

**QTY. :** The quantity that must be ordered.

**DESCRIPTION :** Description of part, what parts are included with a part (all indented items come with the main item above the indented parts), serial number information, and special information.

## Directional References

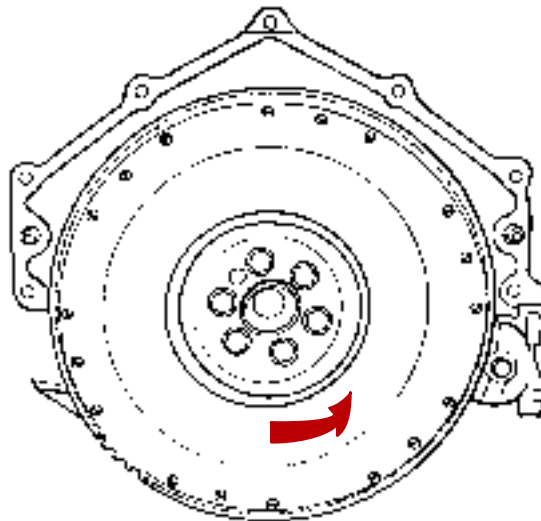
Front of boat is bow; rear is stern. Starboard side is right side; port side is left side. In this maintenance manual, all directional references are given as they appear when viewing boat from stern looking toward bow.



72000

## Engine Rotation

Engine rotation is determined by observing flywheel rotation from the rear (stern end) of the engine looking forward (toward water pump end). Propeller rotation is not necessarily the same as engine rotation. When ordering replacement engine, short blocks or parts for engine, be certain to check engine rotation. Do not rely on propeller rotation in determining engine rotation.

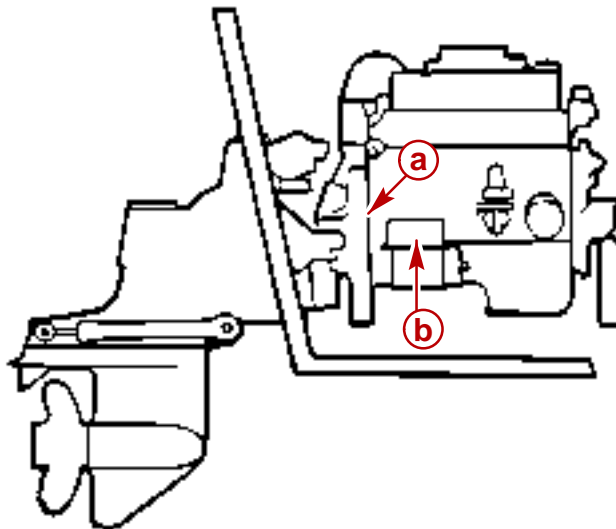


72001

### Standard Left Hand Rotation



## Engine Serial Number Locations



71559

- a** - Serial Number Plate
- b** - Starter Motor

## Propeller Information

Refer to the "Propeller" section in appropriate MerCruiser Sterndrive Service Manual, or order publication 90-86144, "What You Should Know About Quicksilver Propellers."

Changing diameter, pitch or coupling of a propeller will affect engine rpm and boat performance. The blade configuration also will affect performance. Two like propellers, same pitch and diameter, from two different manufacturers also will perform differently.

It is the responsibility of the boat manufacturer and/or selling dealer to equip the boat with the correct propeller to allow the engine to operate within its specified rpm range at wide-open-throttle (W.O.T.).

Because of the many variables of boat design and operation, only testing will determine the best propeller for the particular application.

To test for correct propeller, operate boat (with an average load onboard) at W.O.T. and check rpm with an accurate tachometer. Engine rpm should be near top of the specified range so that, under heavy load, engine speed will not fall below specifications.

If engine exceeds the specified rpm, an increase in pitch and/or diameter is required.

If engine is below rated rpm, a decrease in pitch and/or diameter is required.

Normally, a change of approximately 400 rpm will be achieved for each single pitch change of a propeller.

### **CAUTION**

**If a propeller is installed that does not allow engine rpm to reach the specified full-throttle rpm range, the engine will "labor" and will not produce full power. Operation under this condition will cause excessive fuel consumption, engine overheating and possible piston damage (due to detonation). On the other hand, installation of a propeller that allows engine to run above the specified rpm limit will cause excessive wear on internal engine parts which will lead to premature engine failure.**

## Water Testing New Engines

Use care during the first 20 hours of operation on new MerCruiser engines or possible engine failure may occur. If a new engine has to be water-tested at full throttle before the break-in period is complete, follow this procedure.

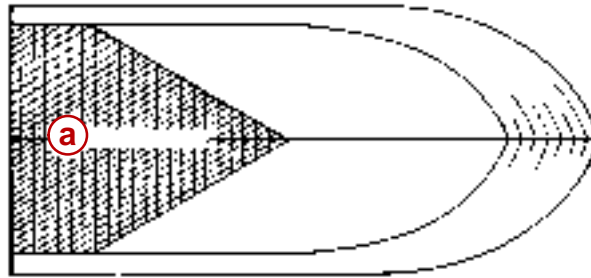
1. Start engine and run at idle rpm until normal operating temperature is reached.
2. Run boat up on plane.
3. Advance engine rpm (in 200 rpm increments) until engine reaches its maximum rated rpm.

**IMPORTANT: Do not run at maximum rpm for more than 2 minutes.**

## Boat and Engine Performance

### Boat Bottom

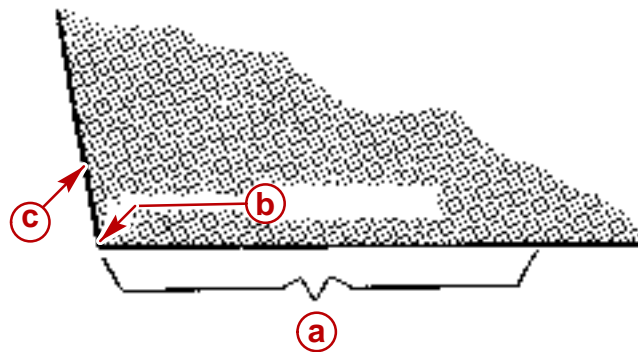
For maximum speed, a boat bottom should be as flat as possible in a fore-aft direction (longitudinally) for approximately the last 5 ft (1.5 m).



72002

**a** - Critical Bottom Area

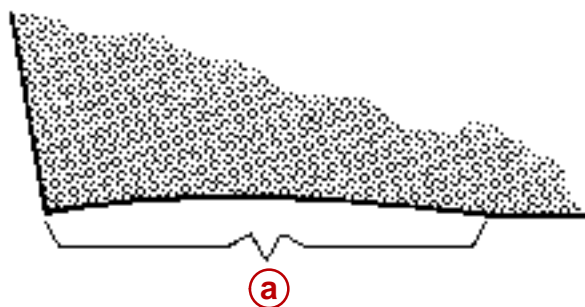
For best speed and minimum spray, the corner between the bottom and the transom should be sharp.



72003

- a** - Bottom
- b** - Corner
- c** - Transom

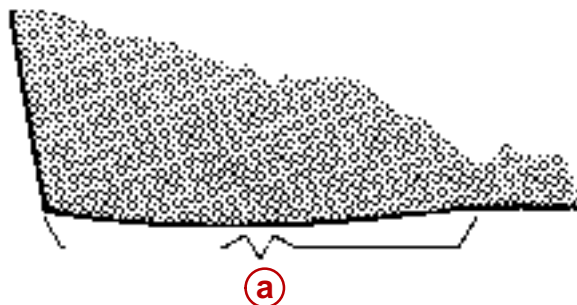
The bottom is referred to as having a “hook” if it is concave in the fore-and-aft direction. A hook causes more lift on the bottom near the transom and forces the bow to drop. This increases wetted surface and reduces boat speed. A hook, however, aids in planing and reduces any porpoising (rhythmical bouncing) tendency. A slight hook is often built in by the manufacturer. A hook also can be caused by incorrect trailering or storing the boat with support directly under the transom.



72004

- a** - Hook

A “rocker” is the reverse of a hook. The bottom is convex or bulged in the fore-and-aft direction. It can cause the boat to porpoise.



72005

- a** - Rocker

Any hook, rocker or surface roughness on the bottom, particularly in the all-important center-aft portion will have a negative effect on speed, often several miles per hour on a fast boat.

## Marine Fouling

Fouling is an unwanted build-up (usually animal-vegetable-derived) occurring on the boat's bottom and drive unit. Fouling adds up to drag, which reduces boat performance. In fresh water, fouling results from dirt, vegetable matter, algae or slime, chemicals, minerals and other pollutants. In salt water, barnacles, moss and other marine growth often produce dramatic build-up of material quickly. Therefore, it is important to keep the hull as clean as possible in all water conditions to maximize boat performance.

Antifouling paint, if required, may be applied to boat hull observing the following precautions.

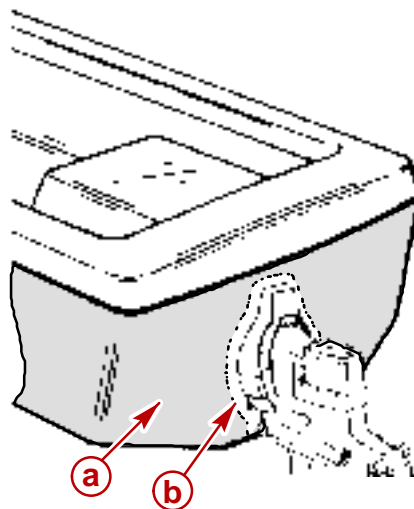
**IMPORTANT: DO NOT** paint anodes or MerCathode System reference electrode and anode, as this will render them ineffective as galvanic corrosion inhibitors.

### ⚠ CAUTION

Avoid corrosion damage. Do not apply antifouling paint to MerCruiser drive unit or transom assembly.

**IMPORTANT:** If antifouling protection is required, Tri-Butyl-Tin-Adipate (TBTA) base antifouling paints are recommended on MerCruiser boating applications. In areas where Tri-Butyl-Tin-Adipate base paints are prohibited by law, copper base paints can be used on boat hull and boat transom. Corrosion damage that results from the improper application of antifouling paint will not be covered by the limited warranty. Observe the following:

Avoid an electrical interconnection between the MerCruiser Product, Anodic Blocks, or MerCathode System and the paint by allowing a minimum of 1 in. (26mm) UNPAINTED area on transom of the boat around these items.



71176

- a** - Antifouling Paint
- b** - MINIMUM 1 inch (26 mm) Unpainted Area

## Weight Distribution

Weight distribution is extremely important; it affects a boat's running angle or attitude. For best top speed, all movable weight - cargo and passengers - should be as far aft as possible to allow the bow to come up to a more efficient angle (3 to 5 degrees). On the negative side of this approach is the problem that, as weight is moved aft, some boats will begin an unacceptable porpoise.

Secondly, as weight is moved aft, getting on plane becomes more difficult.

Finally, the ride in choppy water becomes more uncomfortable as the weight goes aft. With these factors in mind, each boater should seek out what weight locations best suit his/her needs.

Weight and passenger loading placed well forward increases the "wetted area" of the boat bottom and, in some cases, virtually destroys the good performance and handling characteristics of the boat. Operation in this configuration can produce an extremely wet ride, from wind-blown spray, and could even be unsafe in certain weather conditions or where bow steering may occur.

Weight distribution is not confined strictly to fore and aft locations, but also applies to lateral weight distribution. Uneven weight concentration to port or starboard of the longitudinal centerline can produce a severe listing attitude that can adversely affect the boat's performance, handling ability and riding comfort. In extreme rough water conditions, the safety of the boat and passengers may be in jeopardy.

## Water in Boat

When a boat loses performance, check bilge for water. Water can add considerable weight to the boat, thereby decreasing the performance and handling.

Make certain that all drain passages are open for complete draining.

## Elevation and Climate

Elevation has a very noticeable effect on the wide-open-throttle power of an engine. Since air (containing oxygen) gets thinner as elevation increases, the engine begins to starve for air. Humidity, barometric pressure and temperature do have a noticeable effect on the density of air. Heat and humidity thin the air. This phenomenon can become particularly apparent when an engine is propped out on a cool dry day in spring and later, on a hot, humid day in August, does not have the same performance.

Although some performance can be regained by dropping to a lower pitch propeller, the basic problem still exists. The propeller is too large in diameter for the reduced power output. A Quicksilver Propeller Repair Station or experienced marine dealer can determine how much diameter to remove from a lower-pitch propeller for specific high-elevation locations. In some cases, installing high altitude gears in the drive unit is possible and very beneficial. Weather conditions may effect the power output of internal combustion engines. Therefore, established horsepower ratings refer to the power that the engine will produce at its rated rpm under a specific combination of weather conditions.

**THIS PAGE IS INTENTIONALLY BLANK**

# IMPORTANT INFORMATION

## Section 1B - Maintenance

**1  
B**

### Table of Contents

Maintenance Schedule .....	1B-2	Changing Oil and Filter .....	1B-11
Maintenance Intervals .....	1B-2	Priming Engines With Oil .....	1B-11
Scheduled Maintenance That Can Be Performed By Owner/Operator ...	1B-2	Tools Required .....	1B-11
Scheduled Maintenance That Should Be Performed By A Dealer .....	1B-3	Procedure .....	1B-11
Engine and Tune-Up Specifications .....	1B-4	Power Steering System .....	1B-12
Fluid Capacities .....	1B-5	Checking Fluid Level .....	1B-12
Engine Rotation and Firing Order .....	1B-5	Filling and Bleeding .....	1B-13
L.H. Rotation Front .....	1B-5	Closed Cooling System .....	1B-14
20-Hour Break-In Period .....	1B-5	Checking Coolant Level .....	1B-14
After Break-in Period .....	1B-6	Coolant for Closed Cooling System ..	1B-14
End of First Season Checkup .....	1B-6	Flushing System .....	1B-15
Fuel .....	1B-6	Lubrication .....	1B-17
Fuel Ratings .....	1B-6	Throttle Cable .....	1B-17
General Information .....	1B-6	Shift Cable .....	1B-18
Gasoline / Alcohol Blends .....	1B-7	Engine Coupler / U-Joint Shaft Splines .....	1B-18
Effects of Gasoline / Alcohol Blends on Marine Engines .....	1B-7	Cold Weather or Extended Storage .....	1B-19
Boat / Motor Storage .....	1B-8	Precautions .....	1B-19
Winter Storage .....	1B-8	Power Package Layup .....	1B-20
Warranty .....	1B-8	Draining Instructions .....	1B-21
Continuing Evaluations .....	1B-8	Single Point Drain System .....	1B-21
Test For Alcohol Content In Gasoline ..	1B-8	Draining Seawater (Raw-Water) Cooled Models .....	1B-23
Crankcase Oil .....	1B-9	Draining Seawater Section of Closed Cooled (Coolant) Models .....	1B-26
Overfilled Crankcase Oil .....	1B-9	Recommissioning .....	1B-28
Adding Crankcase Oil .....	1B-10		
Checking Engine Oil Level/Filling ....	1B-10		

# Maintenance Schedule

## Maintenance Intervals

Maintenance intervals and the tasks to be performed, as shown in this current schedule, or as found in previously printed schedules, are generally based on an average boating application and environment. However, individual operating habits and personal maintenance preferences can have an impact on the suggested intervals. In consideration of these factors, MerCruiser has adjusted some maintenance intervals and corresponding tasks to be performed. In some cases, this may allow for more individual tasks to be performed in a single visit to the servicing dealer, rather than multiple visits. Therefore, it is very important that the boat owner and servicing dealer discuss the current Maintenance Schedule and develop appropriate maintenance intervals to coincide with the individual operating habits, environment and maintenance requirements.

## Scheduled Maintenance That Can Be Performed By Owner/Operator

**NOTE:** Only perform maintenance which applies to your particular power package.

Task	Interval
Engine Crankcase Oil - Check level.	Weekly
Closed Cooling Coolant - Check level.	
Power Steering Fluid - Check level.	
Sterndrive Unit Oil - Check level.	
Battery - Check level and inspect for damage.	
Fuel Pump Sight Tube (If Equipped) - Check that no fuel is present.	
Power Trim Pump Oil - Check level.	
Anodes - Inspect for erosion.	
Gear Housing Water Pickups - Check for marine growth or debris.	
Drive Belts (All) - Inspect condition and check tension.	Every 100 hours of operation or 120 days, whichever occurs first.
Propeller Shaft - Lubricate.	<b>Saltwater Use:</b> Every 50 hours of operation or 60 days, whichever occurs first.
Power Package Exterior Surfaces - Spray with rust preventative.	<b>Freshwater Use:</b> Every 100 hours of operation or 120 days, whichever occurs first.
Power Package Exterior Surfaces - Clean and paint.	Once a year
Cooling System - Flush seawater section.	<b>Saltwater Use:</b> After every use.



## Scheduled Maintenance That Should Be Performed By A Dealer

**NOTE:** Only perform maintenance which applies to your particular power package.

Task	Interval
Seawater Pickup Pump - Disassemble and inspect.	Whenever insufficient seawater flow is suspected (if operating temperature exceeds normal range.)
Crankcase Oil and Filter - Change.	End of first boating season and thereafter, every 100 hours of operation or once yearly, whichever occurs first.
Ignition System - Clean and inspect condition.	
Flame Arrestor and Crankcase Ventilation Hose - Clean and inspect.	
Positive Crankcase Ventilation (PCV) Valve (If Equipped) - Change.	
Sterndrive Unit Oil - Change.	
<b>Gimbal Ring Clamping Screws</b> - Retorque to 50-55 lb-ft (67-74 Nm).	
<b>Rear Engine Mounts</b> - Check, torque to 38 lb-ft (52 Nm).	
Gimbal Bearing - Lubricate.	
Cooling System - Clean and inspect.	
Steering System - Lubricate and inspect for loose, damaged or missing parts.	
Electrical System - Check for loose or damaged wiring.	
Closed Cooling System Pressure Cap - Clean, inspect and test.	
Cooling System Hoses and Clamps - Inspect for damage and deterioration. Check clamps for tightness.	
Continuity Circuit - Check components for loose connections, broken or frayed wires.	
Shift and Throttle Cable and Linkage - Lubricate and inspect for loose, damaged or missing parts.	
Engine Exhaust System - Inspect externally for damage, deterioration and restrictions. Check for tightness.	
Ignition System - Check timing and adjust as needed.	
Closed Cooling Coolant - Replace.	Every 5 years or 1000 hours, whichever occurs first <sup>1</sup>

<sup>1</sup>Only if Extended Life 5/100 Ethylene Glycol Antifreeze/Coolant is used. If any non-compatible coolant is added to this coolant, coolant must be changed every 2 years or 400 hours, whichever occurs first. All coolants other than Extended Life 5/100 Ethylene Glycol Antifreeze/Coolant must be changed every 2 years or 400 hours, whichever occurs first.

# Engine and Tune-Up Specifications

MODEL	MCM 3.0L
Propshaft Horsepower (SAV1 Rating)	135 <sup>1</sup> (114 <sup>2</sup> )
Propshaft Kilowatts (SAV1 Rating)	101 <sup>1</sup> (85 <sup>2</sup> )
Number of Cylinders	4
Displacement	181 cid (3.0L)
Bore/Stroke In. (mm)	4.00 X 3.60 (101.6 X 91.4)
Compression Ratio	9.25:1
Compression Pressure	Minimum 100 psi (690 kPa) <sup>7</sup>
Idle rpm (In Neutral) <sup>3</sup>	700 rpm <sup>5</sup>
Max rpm (At W.O.T.) <sup>3</sup>	4400-4800 rpm
Oil Pressure (at 2000 rpm)	Minimum 30 psi (207 kPa)
Fuel Pump psi (At 1000 rpm)	6-8 psi (41-55 kPa)
Minimum Oil Pressure At Idle	4 psi (28 kPa)
Electrical System	12 Volt Negative (-) Ground
Minimum Battery Requirements	375 cca / 475 mca / 90 Ah
Firing Order	1-3-4-2
Spark Plug Type	AC - MR43LTS Champion - RS12YC NGK - BPR6EFS
Spark Plug Gap	.035 in. (0.9 mm)
Timing (At Idle) <sup>4</sup>	1° BTDC <sup>8</sup> / 1° ATDC <sup>9</sup> / 2° ATDC <sup>10</sup>
Preliminary Idle Mixture	1 1/4 Turns
Thermostat	143° F (62° C) <sup>8</sup> / 160° F(71° C) <sup>10</sup>

<sup>1</sup> Power Rated in Accordance with NMMA (National Marine Manufacturers' Association) rating procedures.

<sup>2</sup> Power Rated in Accordance with SAV1 rating procedures. This rating procedure is used to certify that the engine complies with "Stage 1" Bodensee and Swiss Regulations. Horsepower differences shown result from differences in test rpm, allowable test tolerances, and/or installation of special kit components.

<sup>3</sup> Measured using an accurate service tachometer with engine at normal operating temperature.

<sup>4</sup> Timing must be set using a special procedure as outlined in the appropriate section of this manual. Timing cannot be properly set using the conventional method.

<sup>5</sup> A special procedure must be followed to adjust idle rpm. Consult your Authorized MerCruiser Dealer before attempting this procedure.

<sup>7</sup> Minimum recorded compression in any one cylinder should not be less than 70 percent of the highest recorded cylinder.

<sup>8</sup>Serial number break: 0L096999 and below

<sup>9</sup>Serial number break: 0L097000 - 0L0340999

<sup>10</sup>Serial number break: 0L341000 and above.

## Fluid Capacities

NOTICE	
Unit Of Measurement: U.S. Quarts (Liters)	
All capacities are approximate fluid measures.	

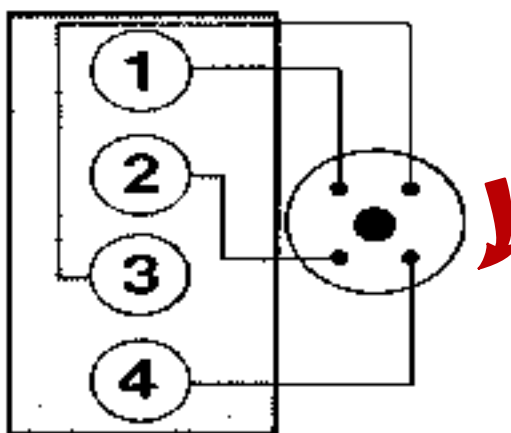
MODEL	MCM 181 cid / 3.0L
Crankcase (With Filter) <sup>1</sup>	4 (3.8)
Seawater Cooling System <sup>2</sup>	9 (8.5)
Closed Cooling System	9 (8.5)

<sup>1</sup> Always use dipstick to determine exact quantity of oil or fluid required.

<sup>2</sup> Seawater Cooling System capacity information is for winterization use only.

## Engine Rotation and Firing Order

### L.H. Rotation Front



4 Cylinder - 181 cid / 3.0L

Firing Order 1-3-4-2

50683

## 20-Hour Break-In Period

**IMPORTANT:** The first 20 hours of operation is the engine break-in period. Correct break-in is essential to obtain minimum oil consumption and maximum engine performance. During this break-in period, the following rules must be observed:

- Do not operate below 1500 rpm for extended periods of time for first 10 hours. Shift into gear as soon as possible after starting and advance throttle above 1500 rpm **if conditions permit safe operation.**
- Do not operate at one speed consistently for extended periods.
- Do not exceed 3/4 throttle during first 10 hours. During next 10 hours, occasional operation at full throttle is permissible (5 minutes at a time maximum).
- Avoid full throttle acceleration from IDLE speed.
- Do not operate at full throttle until engine reaches normal operating temperature.

## After Break-in Period

To help extend the life of your MerCruiser power package, the following recommendations should be considered;

- Use a propeller that allows the engine to operate at or near the top of the maximum rpm range (See "Specifications" section) when at full throttle with a normal boat load.
- Operation at 3/4 throttle setting or lower is recommended. Refrain from prolonged operation at maximum (full throttle) rpm.

## End of First Season Checkup

At the end of the first season of operation, an Authorized MerCruiser Dealer should be contacted to discuss and/or perform various scheduled maintenance items. If you are in an area where the product is operated continuously (year-round operation), you should contact your dealer at the end of the first 100 hours of operation, or once yearly, whichever occurs first.

## Fuel

### Fuel Ratings

#### CAUTION

**Use of improper gasoline can damage the engine seriously. Engine damage that results from use of improper gasoline is considered misuse of the engine and is not covered under MerCruiser Warranty.**

### USA AND CANADA

Fuel having a posted pump Octane Rating of 87 (R + M) / 2 minimum. Premium gasoline [90 (R + M) / 2] is also acceptable. DO NOT use leaded gasolines.

### OUTSIDE USA AND CANADA

Fuel having a posted pump Octane Rating of 90 RON minimum. Premium gasoline (98 RON) is also acceptable. If unleaded is not available, use a major brand of leaded gasoline.

### General Information

Gasolines containing alcohol, either methyl alcohol (methanol) or ethyl alcohol (ethanol) may cause increased:

- Corrosion of metal parts.
- Deterioration of elastomer and plastic parts.
- Fuel permeation through flexible fuel lines.
- Wear and damage of internal engine parts.
- Starting and operating difficulties.

Some of these adverse effects are due to the tendency of gasolines containing alcohol to absorb moisture from the air, resulting in a phase of water and alcohol separating from the gasoline in the fuel tank.

The adverse effects of alcohol are more severe with methyl alcohol (methanol) and are worse with increasing alcohol content.

### **WARNING**

**Fire and Explosion Hazard: Fuel leakage from any part of the fuel system can be a fire and explosion hazard which can cause serious bodily injury or death. Careful periodic inspection of the entire fuel system is mandatory, particularly after storage. All fuel system components including fuel tanks (whether plastic, metal or fiberglass), fuel lines, primer bulbs, fittings, fuel filters and carburetors should be inspected for leakage, softening, hardening, swelling or corrosion. Any sign of leakage or deterioration requires replacement before further engine operation.**

**Because of possible adverse effects of alcohol in gasoline, it is recommended that only alcohol-free gasoline be used where possible. If only fuel containing alcohol is available, or if the presence of alcohol is unknown, increased inspection frequency for leaks and abnormalities is required.**

### **WARNING**

**Avoid gasoline fire or explosion. Improper installation of brass fittings or plugs into fuel pump or fuel filter base can crack casting and/or cause a fuel leak.**

**IMPORTANT: When operating a MerCruiser engine on gasoline containing alcohol, storage of gasoline in the fuel tank for long periods should be avoided. Long periods of storage, common to boats, create unique problems. In cars, alcohol-blend fuels normally are consumed before they can absorb enough moisture to cause trouble, but boats often sit idle long enough for phase separation to take place. In addition, internal corrosion may take place during storage if alcohol has washed protective oil films from internal components.**

## Gasoline / Alcohol Blends

Many new motor vehicle owner manuals are warning about the potential damage from using gasoline containing alcohol, especially METHANOL. They cite possible fuel system damage and performance problems. These are just two of the hazards that may be caused by alcohol. These same problems as well as the additional safety risk of fire and explosion from fuel system leaks apply to marine inboard engines. METHANOL is more severe in its bad effect than is ETHANOL. Alcohol is also more severe in older engines since newer engines have materials which are more resistant to alcohol.

## Effects of Gasoline / Alcohol Blends on Marine Engines

Corrosion of metals may result from use of alcohol-gasoline blends. Portable or permanently installed fuel tanks of metal or fiberglass, fuel filters, fuel lines and float bowls may be affected by alcohol blended fuels. Many fiberglass fuel tanks are slowly dissolved by alcohol, leading immediately to filter and carburetor plugging and eventually to tank failure.

Fuels containing alcohol will absorb moisture from the air. At first, this moisture will remain in solution, but once the water content of the fuel has built up to about one-half of one percent, it will separate out (phase separation), bringing the alcohol with it. This alcohol-water mixture settles to the bottom of the fuel tank and if this mixture gets into the engine, the engine can be seriously damaged internally, as it may wash the protective film of oil off the bore of any cylinder that it enters. Before the engine can be restarted, it is necessary to remove the separated alcohol and water layer, flush out the fuel system with clean fuel and remove and dry the spark plugs.

## Boat / Motor Storage

When operating a MerCruiser engine on gasoline containing alcohol, storage of gasoline in the fuel tank for long periods of time should be avoided.

Long periods of storage, common to boats, create unique problems. In cars, gasoline/alcohol blend fuels normally are consumed before they can absorb enough moisture to cause trouble, but boats often sit idle long enough for phase separation to take place. In addition, internal corrosion may take place during storage if alcohol has washed protective oil films from internal components.

## Winter Storage

If boat is to be placed in winter storage, carburetors must be run dry at idle rpm. Permanent fuel tanks should be drained completely and Quicksilver Gasoline Stabilizer and Conditioner added to any fuel remaining in the tank. Portable fuel tanks should be emptied completely.

## Warranty

Performance problems and fuel system or other damage resulting from the use of gasoline-alcohol blended fuels are not the responsibility of MerCruiser and will not be covered under our warranty.

## Continuing Evaluations

The effects of gasoline with ETHANOL and METHANOL are still being evaluated by the United States Coast Guard, the National Marine Manufacturers Association (NMMA), Mercury Marine and other engine and boat manufacturers.

We have recommended pump posting of alcohol content of gasoline. Further we recommend using gasoline known not to contain any METHANOL or ETHANOL when possible.

## Test For Alcohol Content In Gasoline

The following is an acceptable and widely used field procedure for the detection of alcohol in gasoline. Use any small transparent bottle or tube that can be capped and is, or can be, provided with graduations or a mark at about 1/3 full. A pencil mark on a piece of adhesive tape may be used.

## PROCEDURE

1. Fill the container with water to the mark.
2. Add fuel almost to fill the container, leaving some air space, then cap the container. The proportions of fuel to water are not critical, but there should be 2 to 3 times as much fuel as water.
3. Shake container vigorously and allow it to sit **upright for 3 to 5 minutes**. If the volume of water appears to have increased, alcohol is present. If you are not sure, there is no need for concern. If the dividing line between water and fuel becomes cloudy, use the middle of the cloudy band.

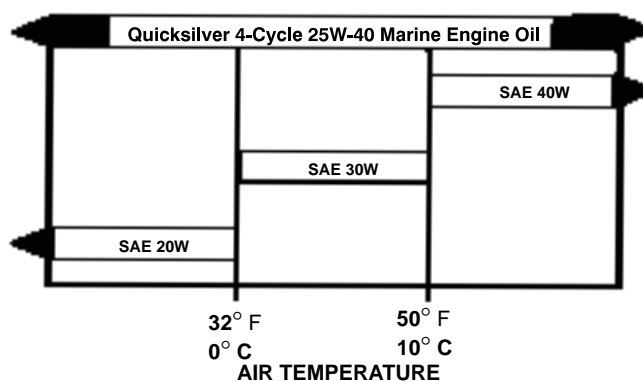
## Crankcase Oil

To help obtain optimum engine performance and to provide maximum protection, we strongly recommend the use of Quicksilver 4-Cycle 25W-40 Marine Engine Oil. This oil is a special blend of 25-weight and 40-weight oils for marine engines. If not available, a good grade, straight weight, detergent automotive oil of correct viscosity, with an API service rating of SH,CF/CF-2 may be used.

In those areas where Quicksilver 4-Cycle 25W-40 Marine Engine Oil or a recommended straight weight oil is not available, a multi-viscosity 20W-40 or, as a second but less preferable choice, 20W-50, with API service ratings of SH,CF/CF-2 may be used.

**IMPORTANT: The use of non-detergent oils, multi-viscosity oils (other than Quicksilver 25W-40 or a good quality 20W-40 or 20W-50), synthetic oils, low quality oils or oils that contain solid additives are specifically not recommended.**

The chart below is a guide to crankcase oil selection. The oil filter should always be changed with the engine oil.



75796

## Overfilled Crankcase Oil

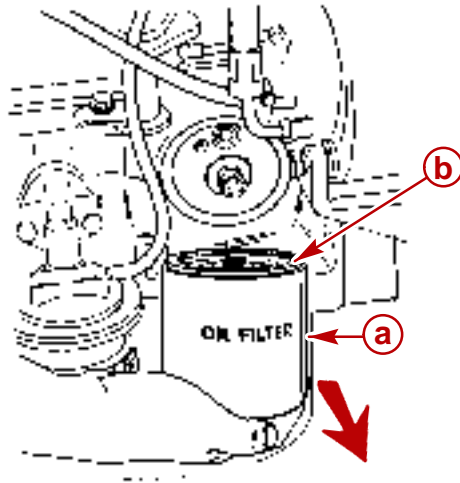
Overfilled crankcases (oil level being too high ) can cause a fluctuation or drop in oil pressure and rocker arm “clatter” on MerCruiser engines. The over-full condition results in the engine crankshaft splashing and agitating the oil, causing it to foam (become aerated). The aerated oil causes the hydraulic valve lifters to “bleed down.” This, in turn, results in rocker arm “clatter” and loss of engine performance, due to the valves not opening properly.

Care must be taken when checking engine oil level. Oil level must be maintained between the ADD mark and the FULL mark on the dipstick. To ensure that you are not getting a “false reading,” make sure the following steps are done before checking the oil level.

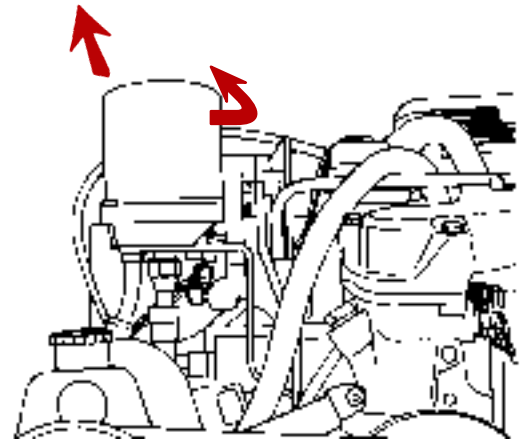
- Boat “at rest” in the water, or
- If boat is on a trailer, raise or lower bow until the boat is setting at the approximate angle that it would be if setting “at rest” in the water.
- Allow sufficient time for oil to drain into the crankcase if engine has just been run or oil has just been added.

## Adding Crankcase Oil

1. Coat sealing ring on new filter with engine oil, and install. Tighten filter securely (following filter manufacturer's instructions). Do not overtighten.



- a** - Oil Filter  
**b** - Sealing Ring



75809

2. Fill crankcase with oil.
3. Start engine and check for leaks.

## Checking Engine Oil Level/Filling

**IMPORTANT: ENGINE CRANKCASE OIL MUST BE CHECKED AT INTERVALS SPECIFIED IN "MAINTENANCE SCHEDULE" CHART.** It is normal for an engine to use a certain amount of oil in the process of lubrication and cooling of the engine. The amount of oil consumption is greatly dependent upon engine speed, with consumption being highest at wide-open-throttle and decreasing substantially as engine speed is reduced.

1. Stop engine and allow boat to come to a rest.
2. Allow oil to drain back into oil pan - approximately 5 minutes.
3. Remove dipstick. Wipe clean and reinstall. Push dipstick all the way into dipstick tube.
4. Remove dipstick and note the oil level.
5. Oil level must be between the FULL and ADD marks.
6. If oil level is below ADD mark, proceed to Steps 7 and 8.
7. Remove oil filler cap from valve rocker arm cover.
8. Add required amount of oil to bring level up to, but not over, the FULL mark on dipstick.



## Changing Oil and Filter

1. Start engine and run until it reaches normal operating temperatures.

**IMPORTANT: Change oil when engine is warm from operation, as it flows more freely, carrying away more impurities.**

2. Stop engine.
3. Remove drain plug from oil pan or from oil drain hose.

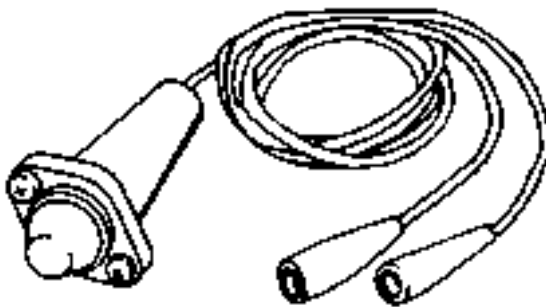
**NOTE:** If drain plug is not accessible because of boat construction, oil may be removed through dipstick tube, using a Quicksilver Crankcase Oil Pump.

4. After oil has drained completely, reinstall drain plug (if removed) and tighten securely.
5. Remove and discard oil filter and its sealing ring.

## Priming Engines With Oil

**IMPORTANT: This applies to all power packages that have not been run within 6 months, replacement of partial engines or after rebuilding an engine.**

### Tools Required



71089

#### Remote Starter Switch (91-52024A1)

### Procedure

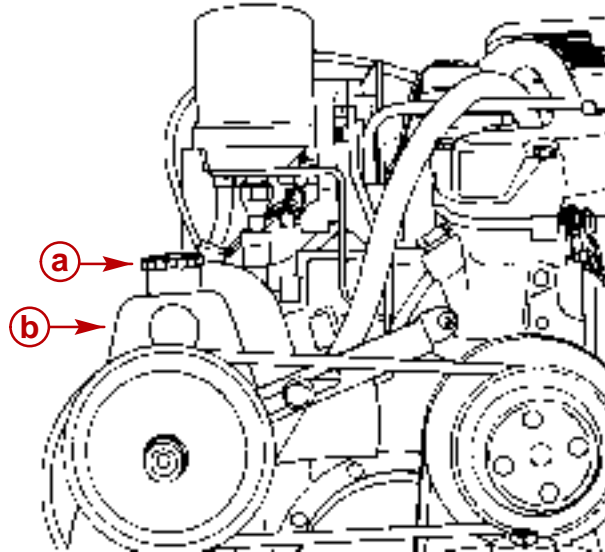
1. Fill crankcase to proper level with recommended engine oil.
2. Remove spark plugs.
3. Leave ignition Key in "OFF" position.
4. Connect remote starter switch to large 12V terminal (RED battery cable) and small terminal (RED/YELLOW) wire on starter motor.
  - a. If Remote Starter Switch is not available, disconnect PURPLE wire from ignition coil before using key switch to crank the engine over. Tape terminal on PURPLE wire to prevent it from touching ground.
5. Crank engine for 15 seconds, then allow starter motor to cool down for 1 minute. This should prevent starter motor from overheating.
6. Repeat this process until a total of 45 seconds of cranking time is achieved.
7. Remove remote starter switch.
  - a. If key switch was used, reconnect PURPLE wire to ignition coil.
8. Install spark plugs and wires.
9. Supply cooling water to seawater pump and start motor.

# Power Steering System

## Checking Fluid Level

### ENGINE WARM

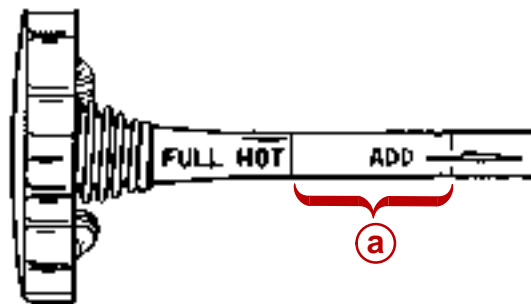
1. Stop engine and position drive unit so that it is straight back.
2. Remove fill cap/dipstick from power steering pump and note fluid level.



75809

- a** - Fill Cap / Dipstick
- b** - Power Steering Pump

3. Level should be between the FULL HOT mark and ADD mark on dipstick.



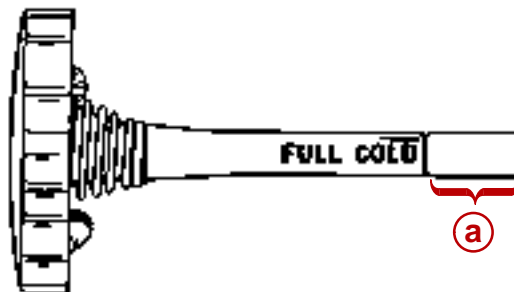
72518

- a** - Proper Fluid Level with Engine Warm

4. If level is below ADD mark, but fluid is still visible in pump reservoir, add required amount of Quicksilver Power Trim and Steering Fluid or automatic transmission fluid (ATF) Dexron III through fill cap opening, to bring level up to FULL HOT mark on dipstick. DO NOT OVERFILL.
5. If fluid is not visible in reservoir, a leak exists in the power steering system. Find cause and correct.

## ENGINE COLD

1. With engine stopped, position drive unit so that it is straight back.
2. Remove fill cap/dipstick from power steering pump and note fluid level.
3. Level should be between FULL COLD mark and bottom of dipstick.



72519

**a** - Proper Fluid Level with Engine Cold

4. If level is below bottom of dipstick, but fluid is still visible in pump reservoir, add required amount of Quicksilver Power Trim and Steering Fluid or automatic Dexron III transmission fluid (ATF), through fill cap opening, to bring level up to FULL COLD mark on dipstick. DO NOT OVERFILL.

If fluid is not visible in reservoir, a leak exists in the power steering system. Find cause and correct.

## Filling and Bleeding

**IMPORTANT: Power steering system must be filled exactly as explained in the following to be sure that all air is bled from the system. All air must be removed, or fluid in pump may foam during operation and be discharged from pump reservoir. Foamy fluid also may cause power steering system to become spongy, which may result in poor boat control.**

1. With engine stopped, position drive unit so that it is straight back. Remove fill cap/dipstick from power steering pump. Add Quicksilver Power Trim and Steering Fluid or Dexron III automatic transmission fluid (ATF), as required, to bring level up to FULL COLD mark on dipstick.

**IMPORTANT: Use only Quicksilver Power Trim and Steering Fluid or Dexron III automatic transmission fluid (ATF), in power steering system.**

2. Turn steering wheel back and forth to end of travel in each direction several times, then recheck fluid level and add fluid, if necessary.
3. Install vented fill cap.

### ⚠ CAUTION

**DO NOT operate engine without water being supplied to seawater pickup pump, or pump impeller may be damaged and subsequent overheating damage to engine may result.**

4. Start engine and run at fast idle (1000-1500 rpm) until engine reaches normal operating temperature. During this time, turn steering wheel back and forth to end of travel in each direction several times.

- Position drive unit so that it is straight back and stop engine. Remove fill cap from pump. Allow any foam in pump reservoir to disperse, then check fluid level and add fluid, as required, to bring level up to FULL HOT mark on dipstick. DO NOT OVERFILL. Reinstall fill cap securely.

**IMPORTANT: Drive unit must be positioned straight back and power steering fluid must be hot to accurately check fluid level.**

- If fluid is still foamy (in Step 5), repeat Steps 4 and 5 until fluid does not foam and level remains constant.

## Closed Cooling System

### Checking Coolant Level

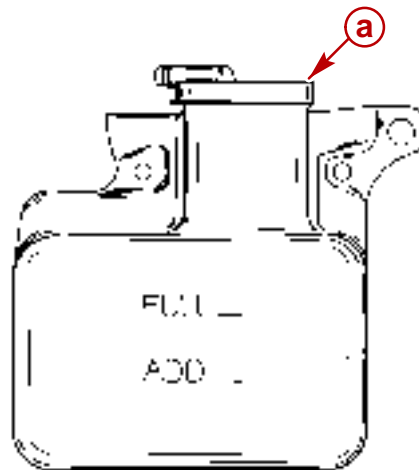
#### **⚠ WARNING**

Allow engine to cool down before removing pressure cap. Sudden loss of pressure could cause hot coolant to boil and discharge violently. After engine has cooled, turn cap 1/4 turn to allow any pressure to escape slowly, then push down and turn cap all the way off.

- Coolant level in heat exchanger should be full (to bottom of filler neck).

**IMPORTANT: When reinstalling pressure cap, be sure to tighten it until it contacts stop on filler neck.**

- Coolant level should be between the ADD and FULL marks on coolant recovery reservoir with the engine at normal operating temperature.



193-HR

**a** - Coolant Recovery Reservoir

### Coolant for Closed Cooling System

#### **⚠ CAUTION**

Alcohol or Methanol base antifreeze or plain water, are not recommended for use in fresh water section of cooling system at any time.

We recommend that the coolant section of closed cooling system be filled with Extended Life 5/100 Ethylene Glycol Antifreeze/Coolant. In areas where the possibility of freezing does not exist, it is permissible to use a solution of rust inhibitor and water (mixed to manufacturer's recommendations).

## Flushing System

If engine is operated in salty, polluted, or mineral-laden water, flush cooling system (preferably after each use) to reduce corrosion and prevent the accumulation of deposits in the system. Thoroughly flush cooling system prior to storage.

### BOAT OUT OF WATER

#### ⚠ WARNING

When flushing cooling system with boat out of the water, be certain that area in vicinity of propeller is clear and that no person is standing nearby. As a precautionary measure, it is recommended that propeller be removed.

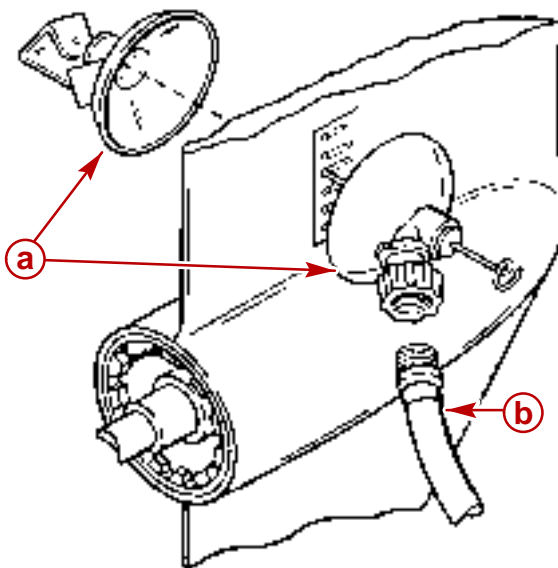
#### ⚠ CAUTION

To prevent engine or sterndrive unit damage **DO NOT** run engine or drive unit without water being supplied to water intake openings on gear housing, and to seawater pickup pump if equipped.

1. Connect flushing attachment as follows:

**NOTE:** If flushing cooling system with boat in water, raise drive unit to trailer position and install flushing attachment. Lower drive unit to full IN/DOWN position.

- a. Install Quicksilver Flushing Attachment (or equivalent) over water intake openings in gear housing.
- b. Connect hose between flushing attachment and water tap.



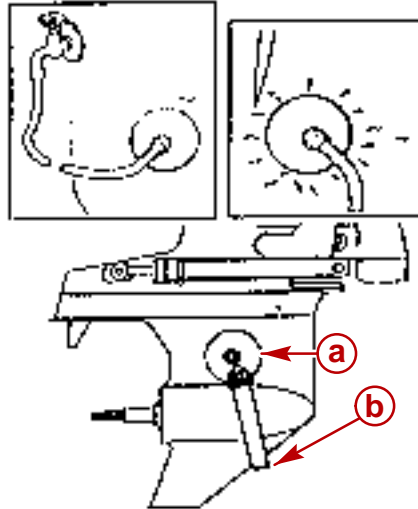
- a - Quicksilver Flushing Attachment
- b - Water Hose

72012

#### ⚠ CAUTION

If cooling system is to be flushed with boat in the water, seacock (if equipped) must be closed, or water inlet hose must be disconnected and plugged to prevent water from flowing into boat.

- Partially open water tap(s) (approximately 1/2 maximum capacity) and allow drive unit and cooling system to fill completely. Do not use full tap water pressure.



- a** - Quicksilver Flushing Attachment  
**b** - Water To Drive Unit

72672

**NOTE:** Drive unit is full when water is discharged out of drive unit, and/or seawater section of closed cooled system is full when water is discharged through propeller.

### ⚠ CAUTION

**Do not run engine above 1500 rpm when flushing. Suction created by seawater pick-up pump may collapse flushing hose, causing engine to overheat.**

- Place remote control lever in NEUTRAL position and start the engine.

### ⚠ CAUTION

**Watch temperature gauge at dash to ensure the engine does not overheat.**

- Operate engine at idle speed in NEUTRAL gear for 10 minutes or until discharge water is clear, then stop engine.
- Shut off water tap(s).
- Remove hose and flushing attachment from drive unit.

## BOAT IN WATER

**NOTE:** If flushing cooling system with boat in water, raise drive unit to trailer position, to remove flushing attachment. Lower drive unit to full IN/DOWN position after completion.

- Raise drive unit to full UP (trailer) position.
- Install flushing attachment over water pickup holes in gear housing as shown.
- Attach a hose between the flushing attachment and a water tap.
- Lower drive unit to full IN/DOWN position.
- Partially open water tap (approximately 1/2 maximum capacity). Do Not use full water pressure.
- Place remote control in neutral, idle speed position, and start engine.
- Operate engine at idle speed in neutral for 10 minutes, the stop engine.
- Shut off water tap.

9. Raise drive unit to full UP position.
10. Remove hose and flushing attachment.

### ⚠ CAUTION

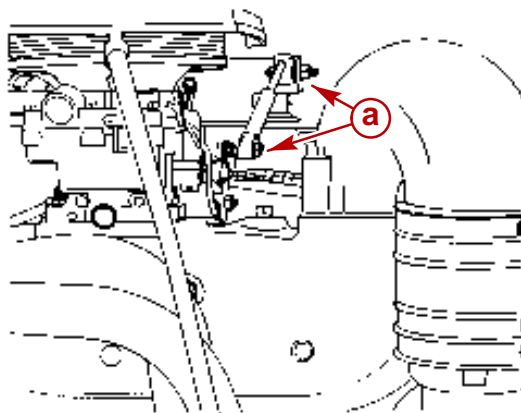
If boat is in the water, seacock (water inlet valve), if equipped, must remain closed until engine is to be restarted to prevent water from flowing back into cooling system and/or boat. If boat is not fitted with a seacock, water inlet hose must be disconnected and plugged to prevent water from flowing back into cooling system and/or boat. As a precautionary measure, attach a tag to the ignition switch or steering wheel of the boat with the warning that the seacock must be opened or the water inlet hose reconnected prior to starting engine.

- a. **If equipped with seacock:** Observing precaution above, open seacock.
- b. **If NOT equipped with seacock:** Observing precaution above, remove plug from seawater inlet hose and reconnect seawater inlet hose. Tighten hose clamps securely.

## Lubrication

Lubricate pivot points with SAE 30W motor oil and cable guide contact surfaces with Quicksilver 2-4-C Marine Lubricant with Teflon.

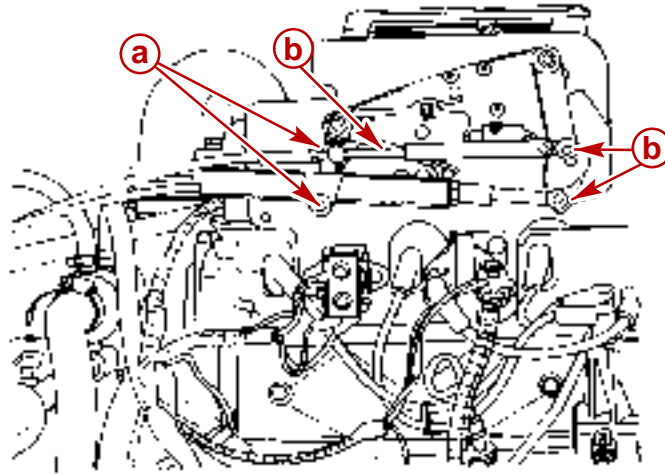
## Throttle Cable



**a** - Pivot Points

75811

## Shift Cable



75811

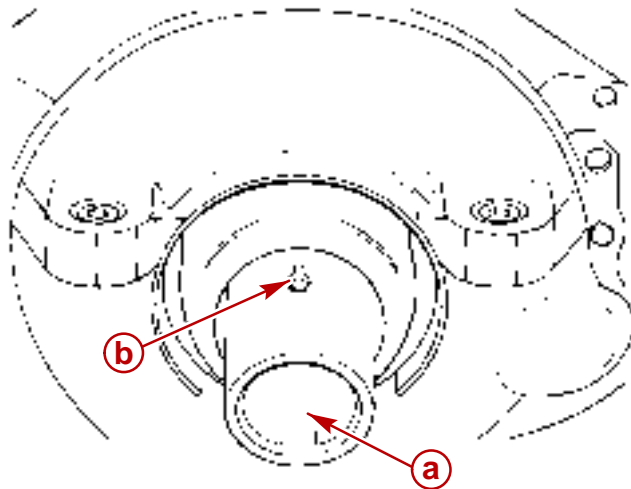
- a** - Pivot Points
- b** - Guide Contact Surface

## Engine Coupler / U-Joint Shaft Splines

Lubricate coupler and splines with Quicksilver Engine Coupler Spline Grease (92-816391A4).

**IMPORTANT:** Sterndrive unit does not have to be removed to grease coupler.

**NOTE:** Refer to MerCruiser Sterndrive Service Manual for sterndrive unit removal and installation if necessary.



72017

- a** - Quicksilver Engine Coupler Spline Grease
- b** - Grease Fitting, Use If Drive Is Installed



# Cold Weather or Extended Storage

## Precautions

### ⚠ CAUTION

Sterndrive unit should be stored in full DOWN position. Universal Joint bellows may develop a “set” if unit is stored in raised position and may fail when unit is returned to service.

### ⚠ CAUTION

If Power Package will not be used for an extended period of time or will be exposed to freezing temperatures, drain water from seawater section of cooling system. Water **MUST BE** drained to prevent corrosion and freeze damage to engine.

### ⚠ CAUTION

If boat is to remain in water after draining, seawater inlet hose must be removed and plugged. The plug will prevent a siphoning action that may occur, allowing seawater to flow from the drain holes or removed hoses.

### ⚠ CAUTION

**DO NOT** operate engine without water flowing through seawater pickup pump, as pump impeller may be damaged and subsequent overheating damage to engine or sterndrive unit may result.

### ⚠ CAUTION

Seawater section of cooling system **MUST BE COMPLETELY** drained for winter storage, or immediately after cold weather use, if the possibility of freezing temperatures exists. Failure to comply may result in trapped water causing freeze and/or corrosion damage to engine.

**IMPORTANT:** Observe the following information to ensure complete draining of cooling system:

- Engine must be as level as possible.
- A wire should be repeatedly inserted into all drain holes to ensure there are no obstructions in passages. Remove petcock, if necessary, to insert wire completely into drain hole.

**IMPORTANT:** To prevent threads in manifolds, elbows and cylinder blocks from rusting out during storage, reinstall plugs using Quicksilver Perfect Seal on threads. Never leave drain plugs out during storage.

***NOTE:** If possible, place a container under drains and hoses to prevent water from draining into boat.*

### ⚠ CAUTION

If engine is equipped with Closed Cooling System, Closed Cooling section must be kept filled with a solution of ethylene glycol antifreeze and water (mix antifreeze to manufacturer’s recommended proportions to protect engine to lowest temperature to which it will be exposed). **DO NOT USE PROPYLENE GLYCOL** antifreeze in closed cooling section. Seawater section, however, must be drained completely.

**⚠ CAUTION**

A discharged battery can be damaged by freezing.

**IMPORTANT:** MerCruiser recommends that propylene glycol antifreeze (a nontoxic and environmentally safe) antifreeze be used in seawater section of the cooling system for cold weather or extended storage. Make sure that the propylene glycol antifreeze contains a rust inhibitor and is recommended for use in marine engines. Be certain to follow the propylene glycol manufacturer's recommendations.

## Power Package Layup

### CARBURETED MODELS

**NOTICE**

Refer to "Cold Weather or Extended Storage Precautions" in this section, **BEFORE** proceeding.

1. Follow instructions "a" or "b" depending on type fuel available during layup:
  - a. **If boat is to be placed in storage with fuel in fuel tanks that does not contain alcohol:** Fill fuel tank(s) with fresh gasoline that does not contain alcohol and a sufficient amount of Quicksilver Gasoline Stabilizer for Marine Engines to treat the gasoline. Follow instructions on container.
  - b. **If boat is to be placed in storage with fuel in fuel tanks that does contain alcohol (if fuel without alcohol is unavailable):** Fuel tanks should be drained as completely as possible and Quicksilver Gasoline Stabilizer for Marine Engines added to any fuel remaining in the tank. Follow instructions on container.

**IMPORTANT:** If boat is to be placed in storage with fuel containing alcohol in fuel tanks refer to "Fuel" in this SECTION 1B for additional information.

2. Replace the water separating fuel filter as outlined in SECTION 5A - Fuel Delivery Systems, "Water Separating Fuel Filter."
3. Supply water to the seawater pickup pump as outlined in "Flushing Cooling System."
4. Start the engine and check for fuel leaks. If leaks exist, stop the engine immediately. Recheck filter installation.
5. Start the engine. Operate at idle rpm until it reaches normal operating temperature and the fuel stabilizer has been circulated. Shut off the engine.
6. Change the engine oil and filter.
7. If boat has been operated in salty, polluted or mineral-laden waters, flush cooling system as outlined in "Flushing Cooling System."
8. Prepare fuel system for extended storage as follows:
  - a. Close the fuel shut-off valve, if equipped. If no fuel shut off valve is present, a suitable method must be employed to STOP the flow of fuel from the fuel tank to the engine before proceeding.
  - b. Remove flame arrestor assembly and start engine.
  - c. While operating engine at fast idle (1000-1500 rpm), fog internal surfaces of induction system and combustion chambers by squirting approximately 8 ounces (227 grams) of Quicksilver Storage Seal or SAE 20W engine oil into carburetor bores.

- d. Squirt the remaining 2 ounces (57 g) of Storage Seal (or oil) rapidly into carburetor, just as the engine begins to stall, due to lack of fuel. Allow engine to stop.
  - e. Turn ignition key to OFF position.
  - f. Refer to "Flushing Cooling System" and appropriately remove water supply to the seawater pickup pump.
9. Clean flame arrestor and crankcase ventilation hoses and reinstall.
  10. Drain seawater section of cooling system as outlined in "Draining Instructions."
  11. **Closed Cooling System Models:** Test coolant to ensure that it will protect against freezing to the lowest temperature expected during storage.
  12. Lubricate all items outlined in "Lubrication."
  13. Service batteries. Refer to manufacturer's instructions.
  14. Clean outside of engine and repaint any areas required with Quicksilver Primer and Spray Paint. After paint has dried, spray Quicksilver Corrosion and Rust Preventive Type II or wipe down with Quicksilver Storage Seal or SAE 20W engine oil.
  15. For drive unit layup information, refer to appropriate Sterndrive Manual.

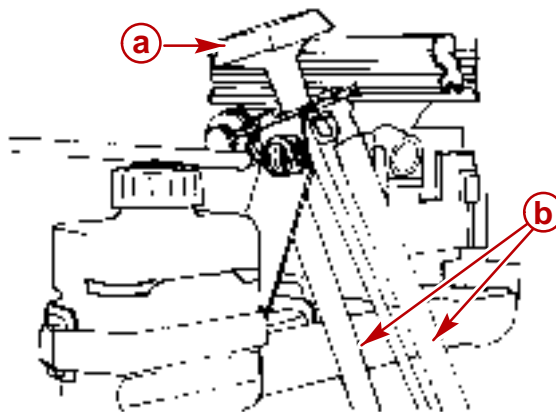
### ⚠ CAUTION

Sterndrive unit should be stored in full "down" position. Universal Joint bellows may develop a "set" if unit is stored in raised position and may fail when unit is returned to service.

## Draining Instructions

### Single Point Drain System

Some models are equipped with a single point drain system consisting of 2 hoses with hardware and a T-handle retrieval tool (shown below). This system drains the seawater section of the engine only.

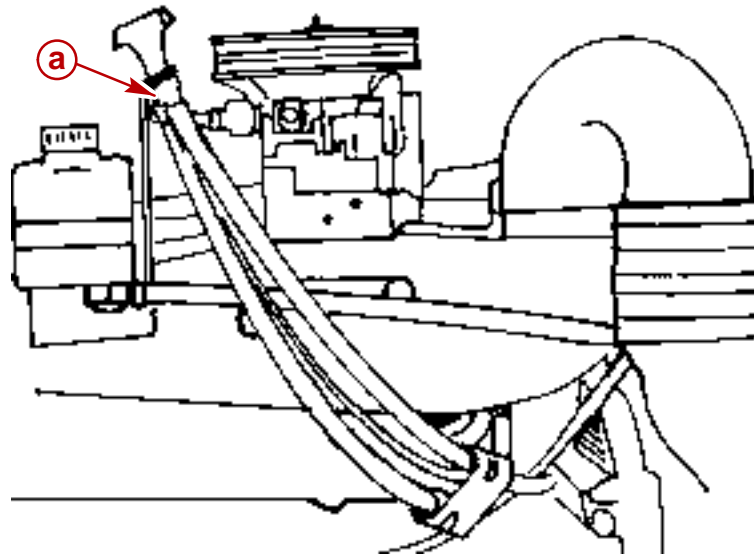


- a** - T-handle Retrieval Tool  
**b** - Hoses

76242

If your engine is equipped with this device, follow this procedure:

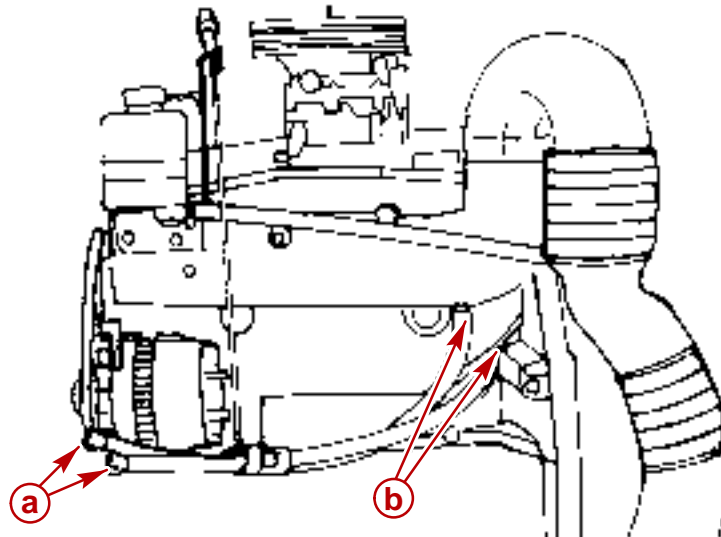
1. Detach the hoses from the top fittings.



76243

**a** - Fittings

2. Lower hoses into bilge. If hoses have developed a “set,” T-handle retrieval tool can be used to push hoses below their connection point.



76244

**a** - Hoses

**b** - Connection Points

**IMPORTANT: Hoses must be lowered below their connection point on the engine in order to drain completely.**

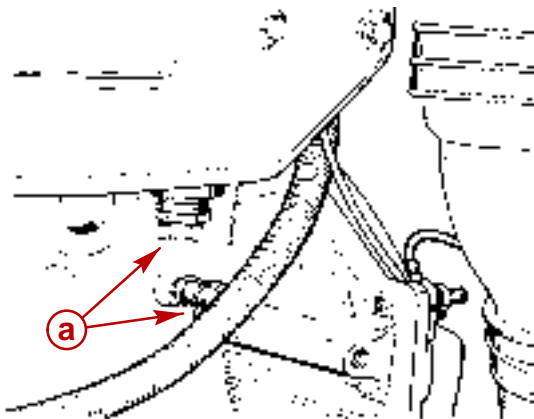
3. If hoses do not drain, use wire to remove blockage.
4. Pull hoses back into original position after draining is complete. Reconnect to fittings.

## Draining Seawater (Raw-Water) Cooled Models

### NOTICE

Refer to “Cold Weather or Extended Storage Precautions” in this section, BEFORE proceeding.

1. Engine must be as level as possible to ensure complete draining of cooling system.
2. Remove drain plugs from cylinder block and manifold.



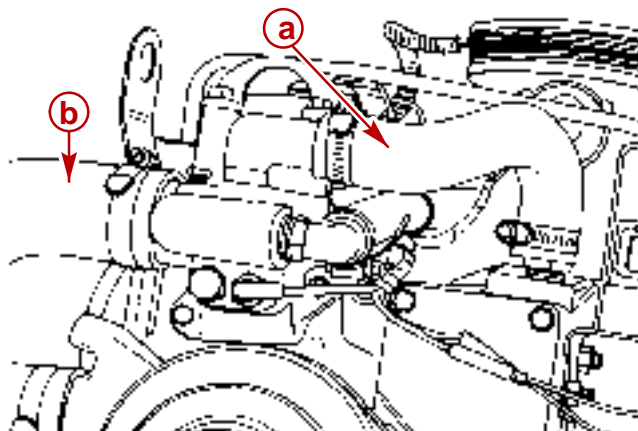
71424

**a** - Drain Plug (Port and Starboard)

3. Repeatedly clean out drain holes using a stiff piece of wire. Do this until entire system is drained.

**NOTE:** It may be necessary to lift, bend or lower hoses to allow water to drain completely when hoses are disconnected.

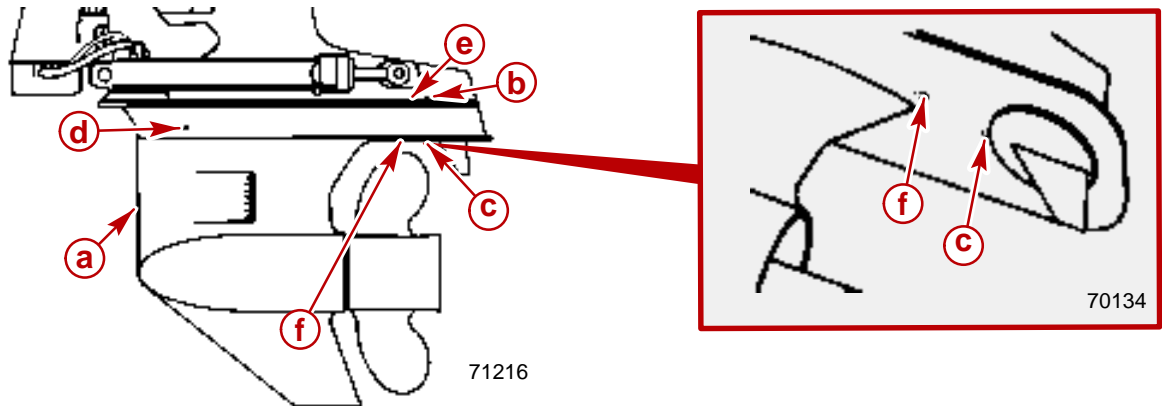
4. Remove and lower the hoses to allow them to drain.



75815

**a** - Inlet Hose  
**b** - Circulating Pump Hose

5. Insert a small wire (repeatedly) to make sure that vent holes and water drain holes and passages (as shown) are unobstructed and open.



- a** - Speedometer Pitot Tube
- b** - Gear Housing Cavity Drain Hole
- c** - Trim Tab Cavity Vent Hole
- d** - Trim Tab Cavity Drain Passage
- e** - Gear Housing Water Drain Hole (One Each - Port and Starboard)
- f** - Gear Housing Cavity Vent Hole

6. Crank engine over SLIGHTLY, with starter motor, to purge any water trapped in seawater pickup pump. DO NOT ALLOW ENGINE TO START.

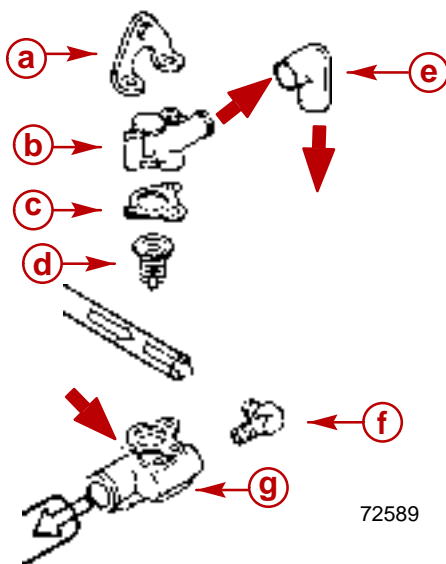
### ⚠ CAUTION

If boat is in the water or is to remain in the water, seacock (if equipped) must remain closed until engine is to be restarted, to prevent water from flowing back into cooling system. If boat is not fitted with a seacock, seawater inlet hose must remain disconnected and plugged, to prevent water from flowing into cooling system and/or boat. As a precautionary measure, attach a tag to the ignition switch or steering wheel with the warning that the seacock must be opened or the seawater inlet hose reconnected prior to starting the engine.

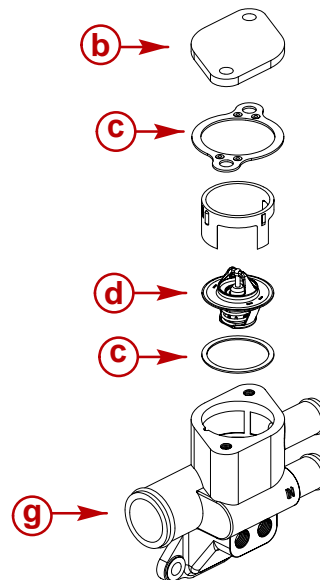
7. After cooling system has been drained completely, coat threads of drain plugs with Quicksilver Perfect Seal and reinstall. Tighten drain plugs securely. Reconnect hoses and tighten all hose clamps securely. **If NOT equipped with seacock:** seawater inlet hose must remain disconnected and plugged until engine is to be restarted.

**IMPORTANT:** MerCruiser recommends that propylene glycol antifreeze (nontoxic and biodegradable, which makes it friendly to lakes and rivers) be used in seawater section of the cooling system for cold weather or extended storage. Make sure that the propylene glycol antifreeze contains a rust inhibitor and is recommended for use in marine engines. Be certain to follow the propylene glycol manufacturer's recommendations.

8. For additional assurance against freezing and rust, remove the thermostat cover and thermostat. Fill the engine seawater cooling system with a mixture of antifreeze and tap water mixed to manufacturer's recommendation to protect engine to the lowest temperature to which it will be exposed during cold weather or extended storage. Using a new gasket, reinstall thermostat and cover. Tighten cover bolts to 30 lb-ft (41 Nm).



- a - Lifting Eye
- b - Cover
- c - Gasket
- d - Hose
- e - Thermostat
- f - Fitting
- g - Housing



76246

**NOTE:** Hoses shown removed only to indicate flow. Do not remove hoses.

## Draining Seawater Section of Closed Cooled (Coolant) Models

### NOTICE

Refer to “Cold Weather or Extended Storage Precautions” in this section, BEFORE proceeding.

### ⚠ CAUTION

If boat is in the water or is to remain in the water, seacock (if equipped) must remain closed until engine is to be restarted to prevent contaminated water from flowing back into cooling system. If boat is not fitted with a seacock, water inlet hose must be left disconnected and plugged to prevent contaminated water from flowing into cooling system and/or boat. As a precautionary measure, attach a tag to the ignition switch or steering wheel with the warning that the seacock must be opened or the water inlet hose reconnected prior to starting the engine.

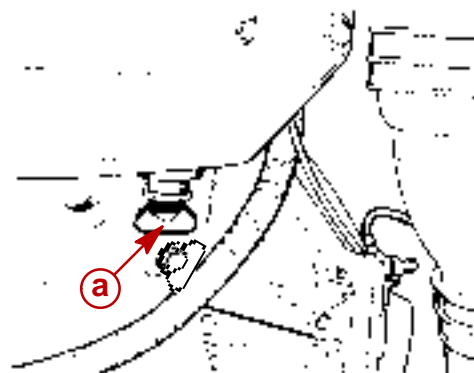
1. Ensure engine is as level as possible to ensure complete draining of cooling system.
2. Remove drain plug from the following locations:
  - a. Aft (rear) drain plug from the heat exchanger.



73581

**a**- Heat Exchanger Drain Plug

- b. Bottom of exhaust manifold.



75177

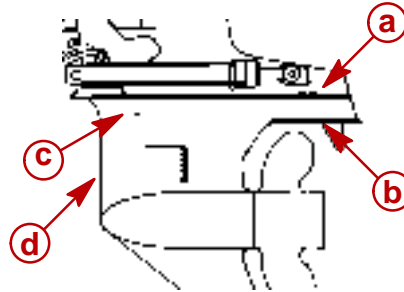
**a**- Exhaust Manifold Drain Plug



3. Repeatedly clean out drain holes using a stiff piece of wire. Do this until entire system is drained.

**NOTE:** *It may be necessary to lift or bend hoses to allow water to drain completely.*

4. Make sure gear housing water vent and drain holes, speedometer pitot hole and trim tab cavity vent and drain holes are open and unobstructed.



71216

- a-** Vent Holes
- b-** Anode Cavity Drain Holes
- c-** Drain Hole
- d-** Speedometer Pitot Hole

5. Crank engine over, slightly with starter motor to purge any water trapped in seawater pickup pump. Do not allow engine to start.
6. After cooling system has been drained completely, install drain plugs, reconnect hoses and tighten all hose clamps securely.

## Recommissioning

### NOTICE

Refer to “Cold Weather or Extended Storage Precautions” in this section BEFORE proceeding.

### WARNING

To prevent possible injury or damage to equipment, do not install battery until all maintenance has been performed on engine.

1. Check that all cooling system hoses are connected properly and hose clamps are tight. Check that all drain plugs are installed and tightened securely.
2. Inspect drive belts.

### CAUTION

When installing battery, be sure to connect **NEGATIVE (-)** battery cable to **NEGATIVE (-)** battery terminal and **POSITIVE (+)** battery cable to **POSITIVE (+)** battery terminal. If battery cables are reversed, electrical system damage will result.

3. Install fully-charged battery. Clean battery cable clamps and terminals and reconnect cables (see CAUTION listed above). Tighten each cable clamp securely when connecting.
4. Coat terminal connections with a battery terminal anti-corrosion agent.
5. Perform all maintenance tasks listed in the MAINTENANCE SCHEDULES, except those performed during the power package lay up procedure.
6. Perform all checks in the BEFORE STARTING column of the Operation and Maintenance Manual OPERATION CHART.

### CAUTION

Refer to **FLUSHING COOLING SYSTEM** before starting engine.

7. Supply water to the seawater pickup pump as outlined in “Flushing Cooling System.”
8. Start engine and closely observe instrumentation to make sure that all systems are functioning correctly.
9. Carefully inspect engine for fuel, oil, fluid, water and exhaust leaks.
10. Check steering system and shift and throttle controls for proper operation.
11. For drive unit, refer to appropriate sterndrive manual.

**THIS PAGE IS INTENTIONALLY BLANK**

**THIS PAGE IS INTENTIONALLY BLANK**

# IMPORTANT INFORMATION

## Section 1C - Troubleshooting

**1  
C**

### Table of Contents

Precautions .....	1C-2	Engine Runs Poorly At Idle .....	1C-18
Used Spark Plug Analysis .....	1C-3	Engine Acceleration Is Poor .....	1C-19
Spark Plug Analysis .....	1C-4	Engine Runs Poorly At High RPM .....	1C-19
Normal Condition .....	1C-4	Poor Fuel Economy .....	1C-20
Chipped Insulator .....	1C-4	Radio Noise .....	1C-21
Wet Fouling (Oil Deposits) .....	1C-4	Troubleshooting With Vacuum Gauge ...	1C-21
Cold Fouling .....	1C-5	Miscellaneous .....	1C-21
Overheating .....	1C-5	Instrumentation Malfunction .....	1C-22
High Speed Glazing .....	1C-5	Engine Noise .....	1C-22
Scavenger Deposits .....	1C-6	Important Information .....	1C-22
Pre-Ignition Damage .....	1C-6	Valve Cover Area .....	1C-23
Reversed Coil Polarity .....	1C-6	Cylinder Area .....	1C-23
Splashed Deposits .....	1C-7	Crankshaft Area .....	1C-23
Mechanical Damage .....	1C-7	Camshaft Area .....	1C-24
Poor Boat Performance and/or Poor		Miscellaneous .....	1C-25
Maneuverability .....	1C-8	Oil Pressure .....	1C-26
Improper Full Throttle Engine RPM .....	1C-9	Miscellaneous .....	1C-26
RPM Too High .....	1C-9	Low Oil Pressure .....	1C-27
RPM Too Low .....	1C-9	High Oil Pressure .....	1C-27
Engine Cranks Over But Will Not Start		Excessive Oil Consumption .....	1C-28
Or Is Hard To Start .....	1C-10	Water in Engine .....	1C-29
Important Information .....	1C-10	Important Information .....	1C-29
EST Ignition System Check .....	1C-11	Water In Crankcase .....	1C-29
Test Description .....	1C-11	Water On Top Of Pistons .....	1C-30
Ignition System Check .....	1C-12	Engine Overheats .....	1C-31
Engine Will Not Crank Over/Starter		Mechanical .....	1C-31
Inoperative .....	1C-14	Cooling System .....	1C-32
Charging System Inoperative .....	1C-14	Power Steering .....	1C-33
Noisy Alternator .....	1C-15	Poor, Erratic or No Assist .....	1C-33
Fuel System Rich .....	1C-15	Noisy Pump .....	1C-34
Fuel System Lean .....	1C-16	Fluid Leaks .....	1C-34
Carburetor Malfunction .....	1C-16	Insufficient Water Flow From Alpha One	
		Sterndrive Unit Seawater Pickup Pump	1C-35

## Precautions

### WARNING

Always disconnect battery cables from battery BEFORE working on fuel system to prevent fire or explosion.

### WARNING

Be careful when cleaning flame arrestor and crankcase ventilation hose; gasoline is extremely flammable and highly explosive under certain conditions. Be sure that ignition key is OFF. DO NOT smoke or allow sources of spark or open flame in area when cleaning flame arrestor and crankcase ventilation hose.

### WARNING

Be careful when changing fuel system components; gasoline is extremely flammable and highly explosive under certain conditions. Be sure that ignition key is OFF. DO NOT smoke or allow sources of spark or flame in the area while changing fuel filter. Wipe up any spilled fuel immediately.

### WARNING

Avoid gasoline fire or explosion. Improper installation of brass fittings or plugs into fuel pump or fuel filter base can crack casting and/or cause a fuel leak. Follow specific procedure, given in Section 5 of this manual, for all fuel line connections.

### WARNING

Make sure no fuel leaks exist before closing engine hatch.

### CAUTION

DO NOT operate engine without cooling water being supplied to water pickup holes in gear housing, or water pump impeller will be damaged and subsequent overheating damage may result.

### CAUTION

DO NOT operate engine without water being supplied to seawater pickup pump on engine, or pump impeller may be damaged and subsequent overheating damage to engine may result. Engine may be operated with boat out of water, if instructions under "Running Engine with Boat Out of Water," following, are completed.

**⚠ WARNING**

When running engine with boat out of water, be certain that area in vicinity of propeller is clear and that no person is standing nearby. As a precautionary measure, it is recommended that the propeller be removed.

**⚠ CAUTION**

DO NOT run engine above 1500 rpm, as suction created by seawater pickup pump may collapse water supply hose and cause engine to overheat.

**⚠ WARNING**

Be sure that engine compartment is well ventilated and that no gasoline vapors are present to prevent the possibility of a FIRE or EXPLOSION.

**⚠ WARNING**

DO NOT leave helm unattended while performing idle speed adjustment.

## Used Spark Plug Analysis

Use the following illustrations for determining serviceability of spark plug. Spark plug condition also can suggest a variety of possible engine malfunctions and, therefore, can indicate needed engine repairs. When old plugs are replaced, replace entire set. Perform plug service only on those plugs suitable for additional service, using the following procedures:

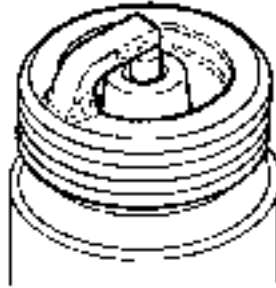
1. Remove any oil deposits with solvent and dry plugs thoroughly.
2. Open electrode gap wide enough to permit cleaning and filing.
3. Remove combustion deposits from firing end of spark plug with a plug cleaner. Blow off with compressed air to remove abrasives.
4. File electrode surfaces to restore clean, sharp edges. Again remove filings with compressed air.
5. Reset gap to specifications by bending only side electrode with proper tool.

**IMPORTANT:** When working on engine, spark plug holes and carburetor throat should be kept covered to prevent foreign objects from entering combustion chamber.

# Spark Plug Analysis

## Normal Condition

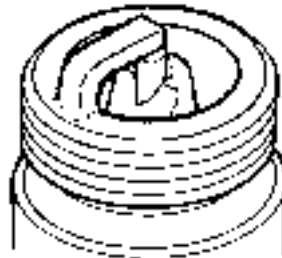
Few deposits are present and probably will be light tan or gray in color. This plug shows that plug heat range is compatible with engine, and engine is electrically and mechanically in good running condition. With proper plug servicing (clean, file and re-gap), this plug can be reinstalled with good results.



72420

## Chipped Insulator

Chipped insulator usually results from careless plug re-gapping. Under certain conditions, severe detonation also can split insulator firing ends. Plug must be replaced.



72420

## Wet Fouling (Oil Deposits)

Plug becomes shorted by excessive oil entering combustion chamber, usually in engine with many hours of operation. Worn piston rings, cylinder walls, valve guides or valve stem seals are causes of oil entering combustion chamber. Only engine repairs will permanently relieve oil wet fouling.

**IMPORTANT:** New engines or recently overhauled engines may wet foul plugs before normal oil control is achieved with proper break-in procedures. Such fouled plugs may be serviced (clean, file and re-gap) and reinstalled.



72420



## Cold Fouling

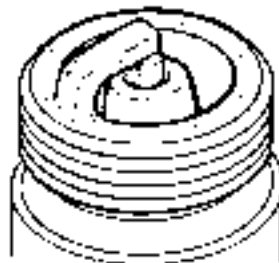
Dry, black deposits indicate rich fuel mixture or weak ignition. Clogged flame arrestor, flooding carburetor, sticky choke or weak ignition components all are probable causes. If, however, only one or two plugs in set are fouled, check for sticking valves or bad ignition leads. After correcting cause, service (clean, file and re-gap) plugs and reinstall.



72421

## Overheating

Insulator is dull white or gray and appears blistered. Electrodes are eroded and there is an absence of deposits. Check that correct plug heat range is being used. Also check for over-advanced ignition timing, cooling system malfunction, lean fuel/air mixtures, leaking intake manifold or sticking valves. Replace spark plugs.



72421

## High Speed Glazing

Insulator has yellowish, varnish-like color, indicating that temperatures suddenly have risen, usually during hard, fast acceleration under heavy load. Normal deposits do not get a chance to blow off. Instead, they melt and form a conductive coating. Replace plugs. If condition recurs, use colder heat range plug and service plugs more frequently.



72421

## Scavenger Deposits

Powdery white or yellow deposits are built up on shell, insulator and electrodes. This is normal appearance with certain branded fuels. Accumulation on ground electrodes and shell areas may be unusually heavy, but may be easily chipped off. Plugs can be serviced (clean, file and re-gap) and reinstalled.



72422

## Pre-Ignition Damage

Pre-ignition damage is caused by excessive high temperatures. Center electrode melts first, followed by ground electrode. Normally, insulators are white but may be dirty if plug has been misfiring. Check for correct plug heat range, advanced ignition timing, lean fuel mixture, incorrect fuel used, malfunctioning cooling system, leaking intake manifold or lack of lubrication.



72422

## Reversed Coil Polarity

Concave erosion of ground electrode is an indication of reversed polarity. Center electrode will show only normal wear. Engine will misfire and idle rough. To correct, reverse primary coil leads. Replace spark plugs.



72422

## Splashed Deposits

Spotted deposits, which sometimes occur after long delayed tune-up, accumulate after a long period of misfiring. When normal combustion temperatures are restored, upon installation of new plugs, deposits loosen from top of piston and head and are thrown against hot insulator. Clean and service plugs and reinstall.



72423

## Mechanical Damage

Mechanical damage to spark plug firing end is caused by foreign object in combustion chamber. Because of valve overlap, small objects can travel from one cylinder to another. Check all cylinders, intake manifold and exhaust material to prevent further damage.



72423

## Poor Boat Performance and/or Poor Maneuverability

Symptom	Cause
Bow too low	A. Improper drive unit trim angle
	B. Improper weight distribution
	C. Boat is underpowered
	D. Permanent or power hook in boat bottom
	E. False bottom full of water
	F. Improperly adjusted trim tabs (after planes)
	G. Dirty boat bottom (marine growth)
Bow too high	A. Improper drive unit trim angle
	B. Propeller pitch too great
	C. Dirty boat bottom (marine growth)
	D. Poor running engine
	E. Improper weight distribution
	F. Rocker in boat bottom
	G. False bottom full of water
	H. Improperly adjusted trim tabs (after planes)
Propeller ventilating	A. Drive unit installed too high on transom
	B. Dirty or rough boat bottom
	C. Damaged propeller; pitch too small; diameter too small
	D. Keel located too close to propeller or too deep in the water
	E. Water pickup or through hull fittings located too close to propeller
	F. Hook in boat bottom
	G. Propeller plugged up with weeds

# Improper Full Throttle Engine RPM

## RPM Too High

Cause	Special Information
Propeller	Damaged; pitch too low; diameter too small; propeller hub slipping.
Boat	Water pickup or through hull fittings mounted too close to propeller (ventilation); keel located too close to propeller and/or too deep in the water (ventilation). Drive installed too high on transom; wrong gear ratio.
Operation	Unit trimmed out too far.
Engine coupler slipping	

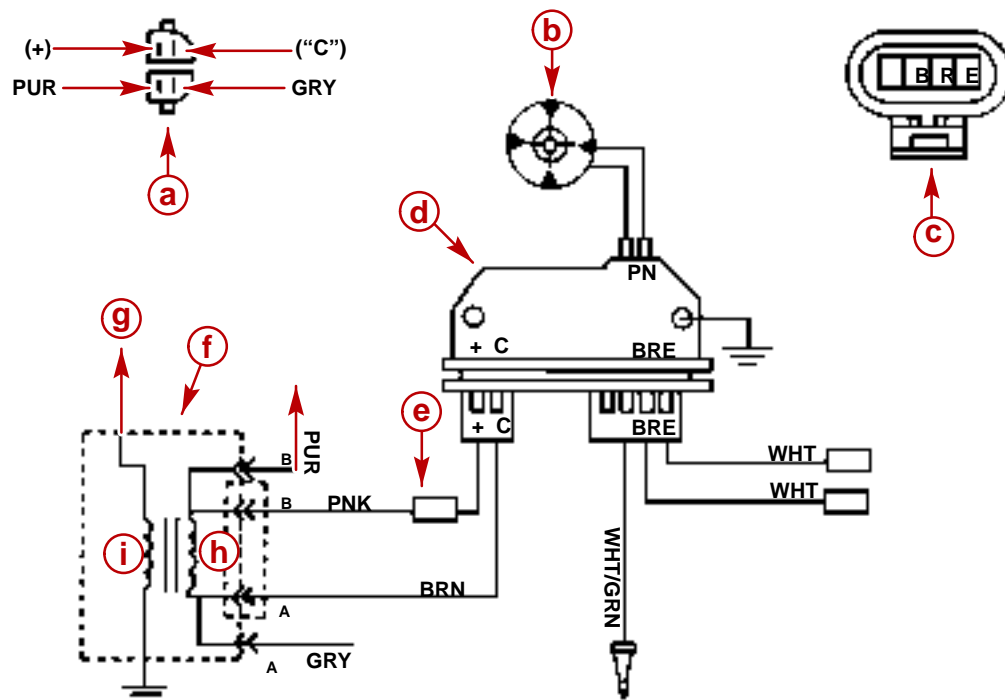
## RPM Too Low

Cause	Special Information
Propeller	Damaged; pitch too great; diameter too great.
Boat	Dirty or damaged bottom; permanent or power hook in bottom; false bottom full of water. Drive installed too low on transom; wrong gear ratio.
Operation	Unit trimmed in too far.

# Engine Cranks Over But Will Not Start Or Is Hard To Start

## Important Information

1. First, determine which engine system is causing the problem. To make an engine run, basic components fuel, spark (ignition), and compression are required. If all three components are present, the engine should run. If any one of the three are missing, weak, or arriving at the wrong time the engine will not run.
2. Determine if there is fuel present by looking down the carburetor venturi while actuating throttle. There should be a stream of fuel coming out of the accelerator pump nozzles if the carburetor has fuel.
3. Check ignition system operation. Remove coil wire from tower on distributor cap. Hold coil wire near ground and check for spark while cranking engine over. Repeat procedure with spark plug wires. If there is spark at the spark plug wires, remove the spark plugs and make sure they are correct type and heat range, and not fouled or burned.
4. Run a compression check on engine to make sure the engine is mechanically sound.



71572

- a** - Ignition Coil Connector
- b** - Pick-Up Coil
- c** - Distributor 3 Terminal Connector
- d** - Distributor HEI Module
- e** - Filter
- f** - Ignition Coil
- g** - To Distributor Cap
- h** - Primary
- i** - Secondary

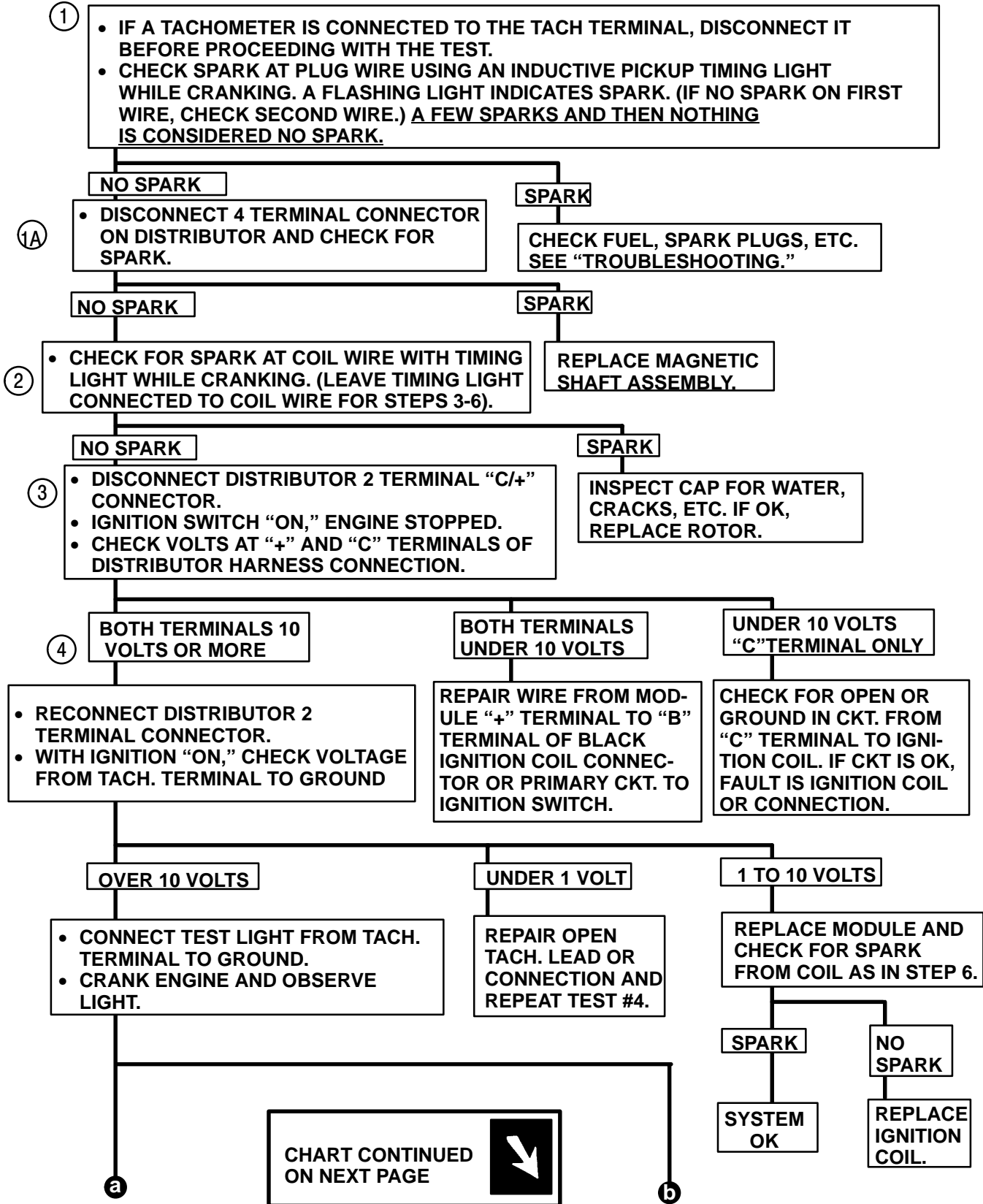
# EST Ignition System Check

## Test Description

Numbers below refer to circled numbers on the diagnostic chart.


1. Two wires are checked, to ensure that an open is not present in a spark plug wire.
  - a. If spark occurs with EST connector disconnected, pick-up coil output is too low for EST operation.
2. A spark indicates the problem must be the distributor cap or rotor.
3. Normally, there should be battery voltage at the "C" and "+" terminals. Low voltage would indicate an open or a high resistance circuit from the distributor to the coil or ignition switch. If "C" terminal voltage was low, but "+" terminal voltage is 10 volts or more, circuit from "C" terminal to ignition coil or ignition coil primary winding is open.
4. Checks for a shorted module or grounded circuit from the ignition coil to the module. The distributor module should be turned "OFF," so normal voltage should be about 12 volts. If the module is turned "ON," the voltage would be low, but above 1 volt. This could cause the ignition coil to fail from excessive heat. With an open ignition coil primary winding, a small amount of voltage will leak through the module from the "BAT" to the "TACH" terminal.
5. Applying a voltage (1.5 to 8 volts) to module terminal "P" should turn the module "ON" and the "tach" terminal voltage should drop to about 7-9 volts. This test will determine whether the module or coil is faulty or if the pick-up coil is not generating the proper signal to turn the module "ON." This test can be performed by using a DC battery with a rating of 1.5 to 8 volts. The use of the test light is mainly to allow the "P" terminal to be probed more easily. Some digital multi-meters can also be used to trigger the module by selecting ohms, usually the diode position. In this position the meter may have a voltage across its terminals which can be used to trigger the module. The voltage in the ohm's position can be checked by using a second meter or by checking the manufacturer's specification of the tool being used.
6. This should turn "OFF" the module and cause a spark. If no spark occurs, the fault is most likely in the ignition coil because most module problems would have been found before this point in the procedure. A module tester could determine which is at fault.

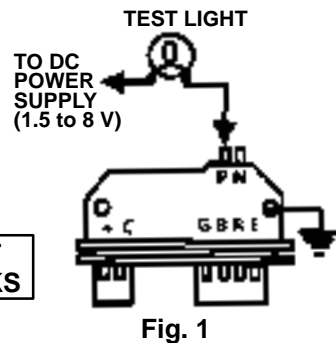
# Ignition System Check(1 of 2)





# Ignition System Check (2 of 2)

 CHART CONTINUED FROM PREVIOUS PAGE



**a**  
LIGHT ON STEADY

**b**  
LIGHT BLINKS

- 5
- DISCONNECT DISTRIBUTOR 4 TERMINAL CONNECTOR.
  - REMOVE DISTRIBUTOR CAP.
  - DISCONNECT PICK-UP COIL CONNECTOR FROM MODULE.
  - CONNECT VOLTMETER FROM TACH. TERMINAL TO GROUND.
  - IGNITION "ON."
  - INSULATE A TEST LIGHT PROBE TO 1/4, FROM TIP AND NOTE VOLTAGE, AS TEST LIGHT IS MOMENTARILY CONNECTED FROM A VOLTAGE SOURCE (1.5 TO 8 V) TO MODULE TERMINAL "P" (CHART 1 OF 2 PAGE 11).

REPLACE IGNITION COIL AND RECHECK FOR SPARK WITH TIMING LIGHT. IF STILL NO SPARK, REINSTALL ORIGINAL COIL AND REPLACE DISTRIBUTOR MODULE.

VOLTAGE DROPS

NO DROP IN VOLTAGE

- 6
- CHECK FOR SPARK FROM COIL WIRE WITH TIMING LIGHT AS TEST LIGHT IS REMOVED FROM MODULE TERMINAL

CHECK MODULE GROUND. IF OK, REPLACE MODULE.

NO SPARK

SPARK

REPLACE IGNITION COIL AND REPEAT STEP 5.

IS ROTATING POLE PIECE STILL MAGNETIZED?

NO SPARK

SPARK

IGNITION COIL REMOVED IS OK, REINSTALL COIL AND CHECK COIL WIRE FROM DIST. CAP. IF OK, REPLACE DISTRIBUTOR MODULE.

SYSTEM OK

YES

NO

CHECK PICK-UP COIL OR CONNECTIONS (COIL RESISTANCE SHOULD BE 500-1500 OHMS AND NOT GROUNDED.)

REPLACE POLE PIECE AND SHAFT ASSEMBLY.

## Engine Will Not Crank Over/Starter Inoperative

Cause	Special Information
Remote control lever not in neutral position	
Battery charge low; damaged wiring; loose electrical connections	
Circuit breaker tripped	
Blown fuse	
Ignition switch	
Slave solenoid	
Faulty neutral start safety switch	Open circuit
Starter solenoid	
Starter motor	
Mechanical engine malfunction	

## Charging System Inoperative

Cause	Special Information
Loose or broken drive belt	
Engine rpm too low on initial start	Rev engine to 1500 rpm
Loose or corroded electrical connections	
Faulty battery gauge	Best way to test is to replace gauge
Battery will not accept charge	Low electrolyte or failed battery
Faulty alternator or regulator	
Refer to SECTION 4C for complete "Charging System" diagnosis procedures	

## Noisy Alternator

Cause	Special Information
Loose mounting bolts	
Drive belt	Worn, frayed or loose belt
Loose drive pulley	
Worn or dirty bearings	
Faulty diode trio or stator	

## Fuel System Rich

Cause	Special Information
Warm engine carburetor percolation	Fuel boils out of float bowl when shut off and warm. Floods intake manifold.
Clogged flame arrestor	
Automatic choke not opening	
Float adjustment	
Float leaks or is saturated with fuel	
Needle and seat leaking	
Carburetor gaskets leaking	
Excessive fuel pump pressure	Unseats needle and seat
Cracked or porous carburetor body	

## Fuel System Lean

Cause	Special Information
Empty fuel tank	
Fuel shut-off valve closed (if equipped)	
Vapor lock	Engine will not start after warm engine shut down
Automatic choke	Stuck open, wrong adjustment
Fuel tank vent plugged	Engine will start initially. After a short time of running, engine will stall and will not restart for a period of time. Can verify it is a vent problem by running engine with filler cap loose. Filler cap will act as a vent.
Air leak on suction side of fuel system	Sucks air into fuel system reducing fuel volume
Plugged or pinched fuel line	
Fuel pump	Low pump pressure

## Carburetor Malfunction

Symptoms	Cause
Flooding	A. Needle and seat
	B. Float adjustment
	C. Saturated float
	D. Gaskets leaking
	E. Cracked fuel bowl
	F. Fuel percolation
	G. Automatic choke
Rough idle	A. Idle rpm too low
	B. Idle mixture screws
	C. Idle passages dirty
	D. Throttle valves not closing
	E. Engine flooding
	F. Vacuum leak
	G. Throttle body heat passages plugged

## Carburetor Malfunction (continued)

Hesitation or acceleration flatness	A. Accelerator pump
	B. Leaking gaskets
	C. Automatic choke
	D. Power piston or power valve
	E. Throttle valves
	F. Throttle body heat passages plugged
	G. Main metering jets
	H. Float adjustment
	I. Secondary air valve wind-up
Engine surges	A. Main metering jets
	B. Leaking gaskets
	C. Float adjustment
	D. Saturated float
	E. Power piston or valve
	F. Throttle valves
Low top speed or lack of power	A. Power piston or valve
	B. Float adjustment
	C. Main metering jets
	D. Leaking gaskets
Poor cold engine operation	A. Idle rpm too low
	B. Idle mixture screws
	C. Throttle valves
	D. Automatic choke
	E. Engine flooding
Engine stalls	A. Idle rpm too low
	B. Idle mixture screws
	C. Engine flooding
	D. Automatic choke
	E. Dirt in carburetor
	F. Accelerator pump
	G. Leaking gaskets
Hard starting	Refer to "Engine Starts Hard"

## Engine Runs Poorly At Idle

Cause	Special Information
Clogged flame arrestor	
Improper idle fuel mixture adjustment	
Engine floods at idle	Problem in ignition system causing the engine to run rough
	Idle mixture screw adjusted incorrectly
	Bad needle and seat
	Incorrect float level drop
	If carburetor (2 barrel only) has a solid needle, replace with a spring loaded needle
Moisture on ignition components	Cap or spark plug wires arcing
Water in fuel	
Low grade or stale fuel	
Incorrect ignition timing	
Automatic choke	
Spark plugs	Fouled, burned, cracked porcelain
Spark plug wires	Insulation breakdown, wires broken
Defective coil	
Cracked or dirty distributor cap	
Incorrect float level	
Dirty carburetor	
Vacuum leak	Leak at manifold or carburetor base
Incorrect fuel pump pressure	Too low - can't supply the carburetor Too high - unseats the needle and seat
Low compression	Also check for blown head gasket
Loose or worn distributor	Timing changes
Water leaking into cylinders	Head gasket, exhaust manifold, cracked head or valve seat
Loose or broken engine mounts	

## Engine Acceleration Is Poor

Cause	Special Information
Also refer to "Poor Boat Performance"	
Idle mixture screws	
Incorrect ignition timing	
Incorrect distributor or amplifier advance curve	Refer to SECTION 4B
Accelerator pump	Check for stream of raw fuel from accelerator pump discharge nozzle, when opening throttle with engine shut off
Cracked or dirty distributor cap or rotor	
Vacuum leak	Intake manifold or carburetor base
Spark plugs	Fouled, burned; wrong heat range; cracked porcelain
Float adjustment	
Dirty carburetor	
Low compression	

## Engine Runs Poorly At High RPM

Cause	Special Information
Also refer to "Poor Boat Performance"	
Crankcase overfilled with oil	Check oil level with boat at rest in the water.
Anti-siphon valve (if equipped)	Restricting fuel supply
Plugged fuel tank vent	
Fuel supply	Refer to "Carburetor Malfunctions" (See "Table of Contents")
Ignition timing	
Low grade of fuel or water in the fuel	
Spark plugs	Fouled, burned, cracked porcelain, incorrect heat range
Spark plug wires	Poor insulation, broken wires
Distributor cap or rotor	Dirty or cracked

## Engine Runs Poorly At High RPM (continued)

Cause	Special Information
Coil	
Distributor	Excessive play in shaft
Engine overheating	Refer to "Engine Overheats"
Low compression	Worn valves, rings, cylinders, etc.
Restricted exhaust	

## Poor Fuel Economy

Cause	Special Information
Fuel leaks	
Operator habits	Prolonged idling; slow acceleration; failure to cut back on throttle once boat is on plane; boat overloaded; uneven weight distribution
Engine laboring	Bent, damaged or wrong propeller. Water test boat for proper operating rpm at wide open throttle
Clogged flame arrestor	
Engine compartment sealed too tight	Not enough air for engine to run properly
Boat bottom	Dirty (marine growth), hook, rocker
Carburetor	Idle mixture settings, accelerator pump adjustments, linkage binding, choke adjustment, carburetor flooding over, main fuel jets
Improper fuel	
Crankcase ventilation system not working	
Engine needs tune-up	
Engine running too cold or too hot	
Plugged or restricted exhaust	
Engine	Low compression



## Radio Noise

Cause	Special Information
A popping noise that will increase with engine rpm. Noise will stop as soon as engine is turned off.	Ignition System - wrong spark plugs; cracked distributor cap; cracked coil tower; leaking spark plug wires; moisture on ignition components
High pitched whine in the radio	Alternator - poor brush contact on the slip rings
A hissing or crackling noise when instruments are jarred with ignition on	Instrumentation - loose connections or antennae wire routed too close to instruments
Varying unexplained noises	Accessories - bilge pump, bilge blower; fish finder; depth locator; cabin heater motor, etc. Disconnect one at a time until noise disappears.

## Troubleshooting With Vacuum Gauge

Reading	Cause
Steady reading between 15-21 inches at idle rpm	Normal
Extremely low reading, but steady at idle rpm	Vacuum leak; incorrect timing; underpowered boat; faulty boat bottom
Fluctuates between high and low at idle rpm	Blown head gasket between two adjacent cylinders
Fluctuates 4 or 5 inches very slowly at idle rpm	Carburetor needs adjustment; spark plug gap too narrow; valves are sticking
Fluctuates rapidly at idle, steadies as rpm is increased	Valve guides are worn
Continuously fluctuates between low and normal reading at regular intervals at idle rpm	Burned or leaking valve

## Miscellaneous

Cause	Special Information
Low grade or stale fuel	
Water in fuel	

## Instrumentation Malfunction

Cause	Special Information
Faulty wiring, loose or corroded terminals	
Faulty key switch	Test, as outlined in SECTION 4D
Faulty gauge	Test, as outlined in SECTION 4D
Faulty sender	Test, As outlined in SECTION 4D

## Engine Noise

### Important Information

No definite rule or test will positively determine source of engine noise. Use the following information only as a general guide to engine noise diagnosis.

1. Use a timing light to determine if noise is timed with engine speed or one-half engine speed. Noises timed with engine speed are related to crankshaft, rods, pistons, piston pins and flywheel. Noises timed to one-half engine speed are valve train related.
2. The use of a stethoscope can aid in locating a noise source. Because noise will travel to other metal parts not involved in the problem, caution must be exercised.
3. If you believe noise is confined to one particular cylinder, ground spark plug leads one at a time. If noise lessens noticeably or disappears, it is isolated to that particular cylinder.
4. Try to isolate the noise to location in engine: front to back, top to bottom. This can help determine what components are at fault.
5. Sometimes noises can be caused by moving parts coming in contact with other components. Examples are: flywheel or coupler; exhaust flappers rattling against exhaust pipe; crankshaft striking (pan, pan baffle, or dipstick tube); rocker arm striking valve cover; and loose flywheel cover. In many cases if this is found to be the problem, a complete engine teardown is not necessary.
6. When noise is isolated to a certain area and component, removal and inspection will be required. Refer to proper sections of service manual for information required for service.
7. If noise cannot be distinguished between engine and drive unit, remove drive from boat. Run a water supply directly to engine. Run engine without the drive to determine if noise is still there.

## Valve Cover Area

Location	Possible Causes
Valve cover area, timed to one-half engine speed, noise could be confined to one cylinder or may be found in any multitude of cylinders	A. Rocker arm striking valve cover
	B. Rocker arm out of adjustment
	C. Worn rocker arm
	D. Bent push rod
	E. Collapsed filter

## Cylinder Area

Location	Possible Causes
Cylinder area, may be confined to one cylinder or found in more than one cylinder, timed to engine speed	A. Sticking valve
	B. Carbon build-up
	C. Connecting rod installed wrong
	D. Bent connecting rod
	E. Piston
	F. Piston rings
	G. Piston pin
	H. Cylinder worn

## Camshaft Area

Location	Possible Causes
Camshaft area, front of engine, timed to one half engine speed	A. Crankshaft timing sprocket
	B. Timing chain
	C. Fuel Pump
	D. Valve Lifter
	E. Cam Bearings
Camshaft area, center of engine, timed to one half engine speed	A. Fuel Pump
	B. Valve Lifter
	C. Cam bearing
Camshaft area, rear of engine, timed to one half engine speed	A. Distributor gear
	B. Valve lifter
	C. Cam bearings
Camshaft area, throughout engine, timed to one half engine speed	A. Loss of oil pressure
	B. Valve lifters
	C. Cam bearings

## Crankshaft Area

Location	Possible Causes
Crankshaft area, front of engine, timed to engine speed	A. Crankshaft timing sprocket
	B. Timing chain
	C. Main bearing
	D. Rod bearing
Crankshaft area, center of engine, timed to engine speed	A. Crankshaft striking pan or pan baffle
	B. Main bearing
	C. Rod bearing
Crankshaft area, rear of engine, timed to engine speed	A. Loose flywheel cover
	B. Loose coupler
	C. Loose flywheel
	D. Main bearing
	E. Rod bearing
Crankshaft area, throughout engine, timed to engine speed	A. Loss of oil pressure
	B. Main bearings
	C. Rod bearings

## Miscellaneous

Location / Noise	Possible Causes
Engine spark knock	A. Advanced timing
	B. Low octane fuel
	C. Engine running hot
	D. Carbon deposits in engine
Popping through carburetor	A. Wrong ignition timing
	B. Carburetor set too lean
	C. Faulty accelerator pump
	D. Vacuum leak
	E. Valve adjustment
	F. Valve timing
	G. Burned or stuck valve
Hissing	A. Vacuum leak
	B. Leaking exhaust (manifolds or pipes)
	C. Loose cylinder heads
	D. Blown head gasket
Whistle	A. Vacuum leak
	B. Dry or tight bearing in an accessory
Sparks jumping	A. Leaking high tension lead
	B. Cracked coil tower
	C. Cracked distributor cap
Squeaks or squeals	A. Drive belt slipping
	B. Dry or tight bearing in an accessory
	C. Parts rubbing together
Rattling in exhaust pipe area	A. Exhaust shutters

# Oil Pressure

## Miscellaneous

Problem	Special Information
Measuring oil pressure	Use a good automotive oil pressure test gauge. Do not rely on the oil pressure gauge in the boat.
Check engine oil level with boat at rest in the water	Oil level should be between the ADD and FULL marks
Oil level in crankcase above FULL mark	May cause loss of engine rpm, oil pressure gauge fluctuation, drop in oil pressure, and hydraulic valve lifter noise at high rpm
Oil level in crankcase below ADD mark	Low oil pressure; oil pressure gauge fluctuation; internal engine noise and/or damage
Change in oil pressure	This may be a normal condition. Oil pressure may read high in the cooler times of the day, and when engine is not up to operating temperature. As the air temperature warms up and engine is running at normal operating temperature, it is normal for oil pressure to drop.
Low engine oil pressure at idle	With modern engines and engine oils, low oil pressure readings at idle do not necessarily mean there is a problem. If valve lifters do not "clatter" (at idle), there is a sufficient volume of oil to lubricate all internal moving parts properly. The reason for the drop in oil pressure is that engine heat causes an expansion of the internal tolerances in the engine and, also, the oil will thin out somewhat from heat.
Low engine oil pressure at idle after running at a high rpm	Refer to preceding items
Boats with dual engines	It is not uncommon to see different oil pressure readings between the two engines, as long as both engines fall within specifications. Differences in oil pressure can be attributed to differences in engine tolerances, gauges, wiring, senders, etc.
Boats with dual stations	Refer to preceding

## Low Oil Pressure

Cause	Special Information
Low oil level in crankcase	
Defective oil pressure gauge and/or sender	Verify with an automotive test gauge. Refer to SECTION 4D for instrument testing.
Thin or diluted oil	Oil broken down; contains water or gas; wrong viscosity; engine running too hot or too cold; excessive idling in cold water (condensation)
Oil pump	Relief valve stuck open; pickup tube restricted; worn parts in oil pump; air leak on suction side of oil pump or pickup oil tube
Oil leak can be internal or external	Oil passage plugs leaking, cracked or porous cylinder block
Excessive bearing clearance	Cam bearings, main bearings, rod bearings

## High Oil Pressure

Cause	Special Information
Oil too thick	Wrong viscosity, oil full of sludge or tar
Defective oil pressure gauge and/or sender	Verify with an automotive test gauge
Clogged or restricted oil passage	
Oil pump relief valve stuck closed	

## Excessive Oil Consumption

**NOTE:** Normal consumption is one quart of oil consumed in 5-15 hours of operation at wide-open-throttle (especially in a new or rebuilt engine).

Cause	Special Information
Oil leaks	Clean bilge, run engine with clean white paper on bilge floor, locate oil leak(s)
Oil too thin	Oil diluted or wrong viscosity
Oil level too high	
Drain holes in cylinder head plugged	Oil will flood valve guides
Defective valve seals	
Intake manifold gasket leaking	
Worn valve stems or valve guides	
Defective oil cooler (if so equipped)	Crack in cooler tubes
Defective piston rings	Glazed, scuffed, worn, stuck, improperly installed; ring grooves worn; improper break-in; wrong end gap
Defective cylinders	Out of round, scored, tapered, glazed; excessive piston to cylinder clearance; cracked piston
Excessive bearing clearance	



# Water in Engine

## Important Information

**IMPORTANT:** First determine location of water in engine. This information can be of great help when trying to determine where the water came from and how it got into the engine. The three most common problems are “water on top of pistons, water in crankcase oil or water in crankcase oil and on top of pistons.”

The first step, after locating water, is to remove all the water from the engine by removing all spark plugs and pumping cylinders out by cranking engine over. Next change oil and filter. Now, start engine and see if problem can be duplicated. If problem can be duplicated, there is probably a mechanical problem. If the problem cannot be duplicated, the problem is either an operator error or a problem that exists only under certain environmental conditions.

If water is contained to cylinder(s) only, it is usually entering through the intake system, exhaust system or head gasket.

If the water is contained to crankcase only, it is usually caused by a cracked or porous block, a flooded bilge or condensation.

If the water is located in both the cylinder(s) and the crankcase, it is usually caused by water in the cylinders getting past the rings and valves or complete submersion.

Check for rust in the intake manifold or exhaust manifolds. Rust in these areas will show that if the water entered these areas.

If water is contained to cylinder(s) only, it is usually entering through the intake system, exhaust system or head gasket.

## Water In Crankcase

Cause	Special Information
Water in boat bilge	Boat has been submerged or bilge water was high enough to run in through dipstick tube
Water seeping past piston rings or valves	Refer to “Water in Engine” (“On Top of Pistons”)
Engine running cold	Defective thermostat, missing thermostat; prolonged idling in cold water
Intake manifold leaking near a water passage	
Cracked or porous casting	Check cylinder head, cylinder block, and intake manifold

## Water On Top Of Pistons

Cause	Special Information
Operator shut engine off at high rpm	
Engine "diesels" or tries to run backwards	Engine out of tune, poor fuel, high idle rpm, timing set too high
Rain water running into flame arrestor	Hatch cover
Spark plug misfiring	Improper combustion causes moisture in the air to accumulate in the cylinder
Backwash through the exhaust system	
Improper engine or exhaust hose installation	
Cracked exhaust manifold	
Improper manifold to elbow gasket installation	
Loose cylinder head bolts	
Blown cylinder head gasket	Check for warped cylinder head or cylinder block
Cracked valve seat	
Porous or cracked casting	Check cylinder heads, cylinder block, and intake manifold

# Engine Overheats

## Mechanical

Cause	Special Information
Engine rpm below specifications at wide-open-throttle (engine laboring)	Damaged or wrong propeller; growth on boat bottom; false bottom full of water
Wrong ignition timing	Timing too far advanced or retarded
Sticking distributor advance weights	
Spark plug wires crossed (wrong firing order)	
Lean fuel mixture	Refer to "Carburetor Malfunction" in this section
Wrong heat range spark plugs	
Exhaust restriction	
Valve timing off	Jumped or improperly installed timing chain
Blown head gasket(s)	<p>A blown head gasket(s) normally cannot be detected by a compression check. Normally the engine will run at normal temperature at low rpm, but will overheat at speeds above 3000 rpm.</p> <p><b>Engines that are seawater cooled:</b> Using a clear plastic hose, look for air bubbles between seawater pump and engine. If there are no bubbles present, install clear plastic hose between thermostat housing and manifold(s). If air bubbles are present at a higher rpm, it is a good indication there is a blown head gasket.</p>
Insufficient lubrication to moving parts of engine	Defective oil pump, plugged oil passage, low oil level

## Cooling System

Cause	Special Information
<b>IMPORTANT: The first step is to verify if the engine is actually overheating or the temperature gauge or sender is faulty</b>	<b>IMPORTANT: Best way to test gauge or sender is to replace them.</b>
Loose or broken drive belt	
Seawater shutoff valve partially or fully closed (if equipped)	
Clogged or improperly installed sea strainer	
Loose hose connections between seawater pickup and seawater pump inlet (models with belt driven seawater pump only)	Pump will suck air. Pump may fail to prime or will force air bubbles into cooling system.
Seawater inlet hose kinked or collapsed	
Seawater pickup clogged	
Obstruction on boat bottom causing water turbulence	Obstruction will be in front of seawater pickup, causing air bubbles to be forced into cooling system
Defective thermostat	
Exhaust elbow water outlet holes plugged	
Insufficient seawater pump operation	Worn pump impeller
Obstruction in cooling system such as casting flash, sand, rust, salt, etc.	Refer to water flow diagram for engine type being serviced
Engine circulating pump defective	
Also refer to "Engine Overheats (Mechanical)"	
<b>IMPORTANT: In addition to previous checks, make the following checks if engine is equipped with closed cooling.</b>	
Low coolant level	
Antifreeze not mixed properly	Antifreeze should be mixed 50/50 or maximum 60/40 (60% antifreeze, 40% water)
Heat exchanger cores plugged	
Water hoses reversed at the water distribution block	Refer to water flow diagram in SECTION 6

# Power Steering

## Poor, Erratic or No Assist

Cause	Special Information
Drive belt	Worn, broken or out of adjustment
Low fluid level	
Air in system	Air leak in lines or pump, or air from installation. Refer to SECTION 8A for bleeding procedure.
Leaking hoses	Refer to SECTION 8A for bleeding procedure.
Steering cables and/or steering helm	Cable or helm partially frozen from rust or corrosion; cable over-lubricated; improper cable installation
Binding in sterndrive unit	Refer to appropriate Sterndrive Service Manual
Restriction in hydraulic hoses	Causes loss of pressure
Control valve not positioned properly, not balanced properly, or the mounting nut is loose	
Mounting bracket adjusting screw loose or mounting tube is loose	
Faulty pump	Flow control valve may be sticking
Worn piston ring or scored housing bore in cylinder	Causes loss of pressure
Leaking valve body or loose fitting spool	

## Noisy Pump

Cause	Special Information
Drive belt	Check belt tension
Low fluid level	
Air in fluid	Air leak in lines, pump, or air form installation
Faulty pump	Use stethoscope to listen for noise in pump
Restricted fluid passages	Kinks or debris in hoses or debris in passages
Stop nut adjusted improperly	Refer to appropriate Sterndrive Service Manual
Steering cables installed that do not meet BIA standards	Refer to appropriate Sterndrive Service Manual

## Fluid Leaks

Cause	Special Information
Loose hose connections	Refer to SECTION 8A for bleeding instructions
Damaged hose	
Oil leaking from top of pump	System overfilled; fluid contains water; fluid contains air
Cylinder piston rod seal	
Faulty seals in valve	
Faulty seals in O-rings in pump	
Cracked or porous metal parts	

# Insufficient Water Flow From Alpha One Sterndrive Unit Seawater Pickup Pump

Cause	Special Information
Seawater shutoff valve partially or fully closed (if equipped)	
Water pickup clogged with foreign material	
Kinked or broken bell housing to gimbal housing water tube hose	
Corroded through gimbal housing water tube	
Water pickup inserts warped. (Engine will overheat while boat is underway.)	Water pickup must not protrude above gear housing surface or inserts will create an irregular or turbulent water flow over the water pickup holes. Consequently, this may cause loss of cooling water and subsequent engine overheating. This condition can be identified by cavitation burn (pitting or erosion) on the gear housing in the area aft of the water pick up.
Damaged gear housing or accessories improperly installed on boat bottom or transom (speedometer pick up, depth sounder transducer, etc.) Substantial amount of barnacles or other marine growth on gear housing or boat bottom. (Engine will overheat while underway only)	An object or an irregularity on boat or gear housing in area close to to water pickups could create turbulence in water flow going to water pickups. This could aerate the water flow and cause engine to overheat
Sterndrive installed too high on transom or drive unit trimmed out too far out allowing air to be drawn into pump. (Engine will overheat while underway only)	Contact boat company if sterndrive is too high. Instruct operator on proper trimming technique if unit is trimmed out too far.
Bell housing-to-driveshaft housing O-ring missing or damaged	
Faulty seawater pickup pump	
Seawater pickup tube corroded through	
Driveshaft housing water pocket cover cracked	
Broken impeller blade or other obstruction in water passages (usually lodges in drive-shaft housing water pocket cover or cross drilled water passage).	To check cross drilled water passages in driveshaft housing, remove plug and pipe plug located under decal on starboard side of housing. Drive unit must be shifted into reverse to remove pipe plug.
Water passage in driveshaft housing improperly drilled	

**THIS PAGE IS INTENTIONALLY BLANK**



# REMOVAL AND INSTALLATION

## Section 2A - MCM 3.0L (181 cid) - Alpha Drive

### Table of Contents



---

Torque Specifications .....	2A-2	Installation .....	2A-8
Lubricants/Sealers/Adhesives .....	2A-2	Engine Installation .....	2A-8
Tools .....	2A-2	Engine Alignment .....	2A-11
Removal .....	2A-3	Engine Connections .....	2A-13
Engine Removal .....	2A-3		

---

## Torque Specifications

DESCRIPTION	lb-in.	lb-ft	Nm
Power Steering Hydraulic Hose Fittings		23	31
Front Engine Mounts		35	47
Rear Engine Mounts		38	52
Drive Unit Shift Cables (Cable End and Cable End Guide)	Tighten Until Contacts, Then Loosen 1/2 Turn. Spread Cotter Keys		
Remote Control Shift Cables	Tighten Securely		
Remote Control Throttle Cables			
Hose Clamps			
Battery Cables			

## Lubricants/Sealers/Adhesives

Description	Part Number
Quicksilver Engine Coupler Spline Grease	92-816391A4
Quicksilver 2-4-C Marine Lubricant With Teflon	92-825407A3
Quicksilver Liquid Neoprene	92-25711--3
Loctite Pipe Sealant with Teflon	Obtain Locally

## Tools

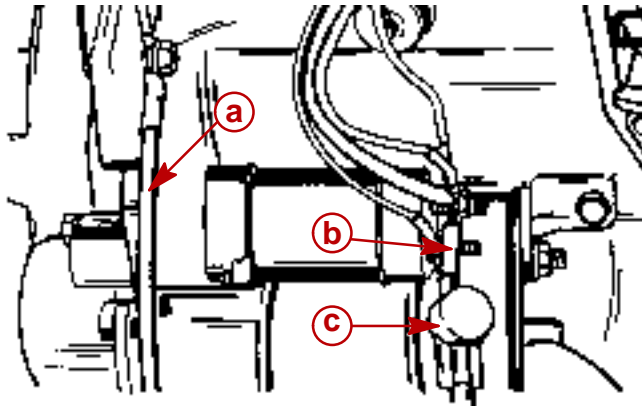
Description	Part Number
Engine Alignment Tool	91-805475A1

# Removal

**IMPORTANT:** Sterndrive unit must be removed prior to engine removal. Refer to Sterndrive Service Manual.

## Engine Removal

1. Disconnect battery cables from battery.



22052

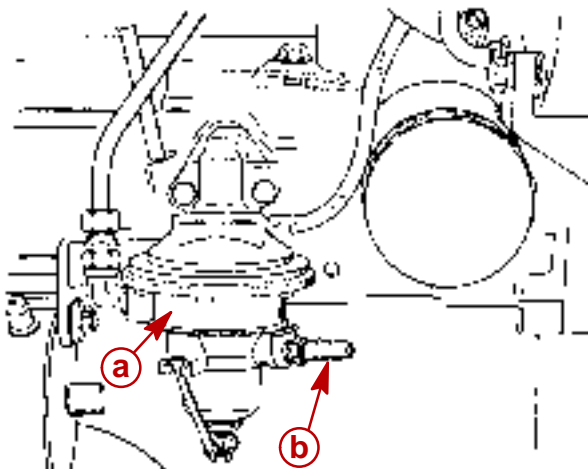
- a** - Negative (-) Battery Cable
- b** - Positive (+) Battery Cable
- c** - Rubber Boot (Slid Back From Terminal)

2. Remove instrument harness connector plug from engine harness receptacle after loosening clamp.

### ⚠ WARNING

Be careful when working on fuel system. Gasoline is extremely flammable and highly explosive under certain conditions. Do not smoke or allow spark or open flame in area. Wipe up any spilled fuel immediately.

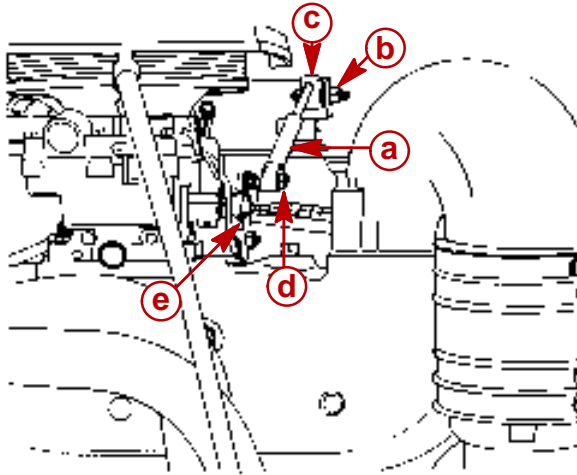
3. Disconnect and plug fuel line to prevent fuel in tank from leaking into bilge.



50738

- a** - Fuel Pump
- b** - Disconnect Fuel Inlet Line Here

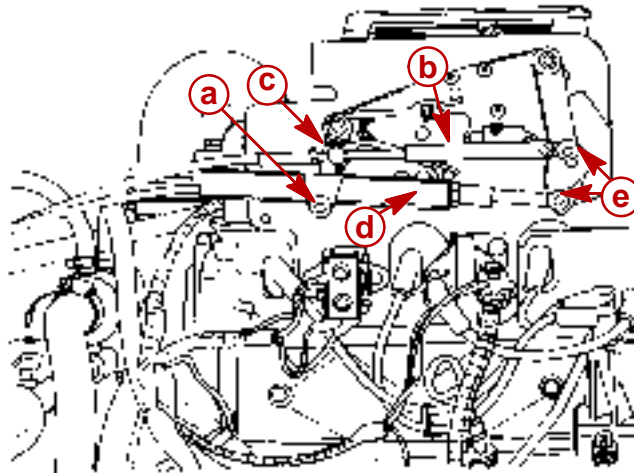
4. Disconnect throttle cable from carburetor and retain locknuts and hardware.



75810

- a** - Cable End Guide
- b** - Throttle Cable Anchor Screw
- c** - Cable Barrel
- d** - Elastic Stop Nut And Flat Washer
- e** - Throttle Lever

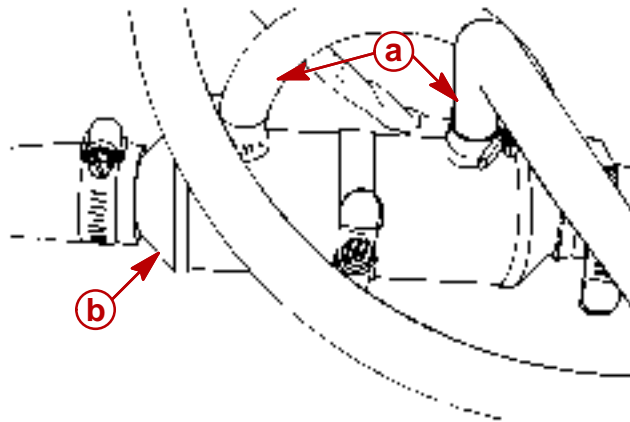
5. Disconnect shift cables and shift assist assembly (if equipped).



75811

- a** - Locking Nut
- b** - Shift Cable End
- c** - Cotter Pin
- d** - Shift Assist Assembly
- e** - Clevis Pin (w/Cotter Pin)

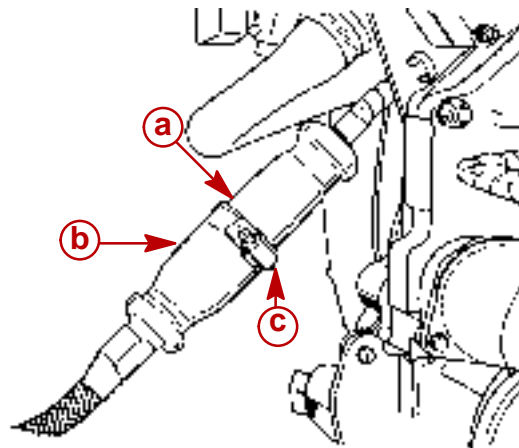
6. Disconnect and cap power steering hoses. Plug control valve hose connection holes.



75812

- a** - Power Steering Hoses  
**b** - Control Valve

7. Loosen clamp and unplug wiring harness.



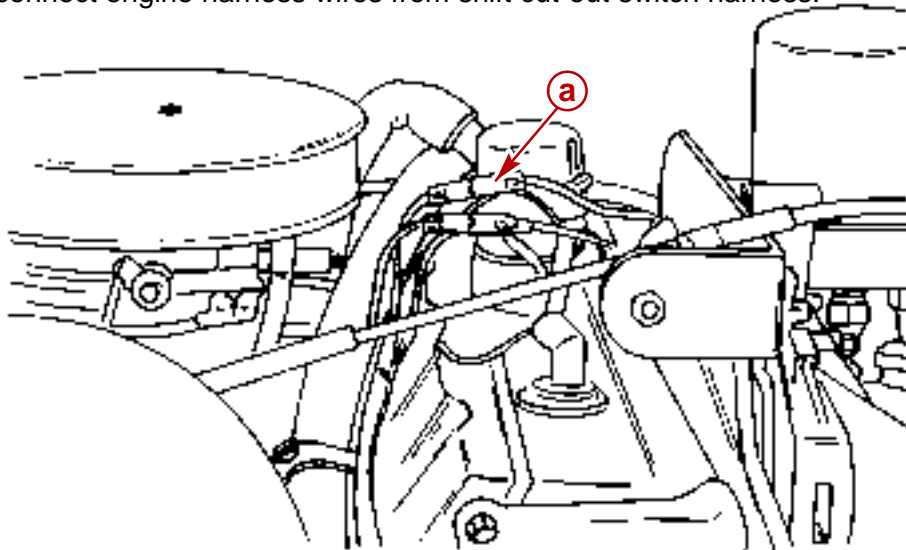
50626

- a** - Engine Wiring Harness Receptacle (Bracket)  
**b** - Instrumentation Wiring Harness  
**c** - Hose Clamp

8. Disconnect bullet connectors of trim sender wires (coming from transom assembly) from engine harness.

**NOTE:** After wires are disconnected, remove them from clamps or Sta-Straps retaining them to engine or hoses.

9. Disconnect engine harness wires from shift cut-out switch harness.

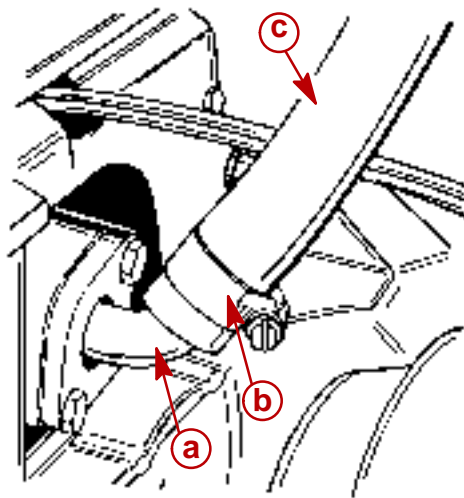


75499

**a** - Shift Cutout Switch Wires

10. Disconnect MerCathode wires from MerCathode controller if equipped.

11. Disconnect seawater inlet hose from gimbal housing.



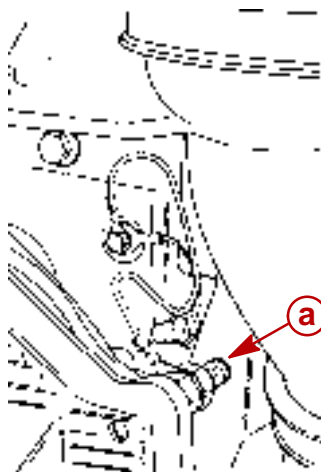
72614

**a** - Water Tube  
**b** - Hose Clamp (Tighten Securely)  
**c** - Water Hose

12. Loosen hose clamps and disconnect exhaust elbow hose.

13. Remove both shift cables from shift plate. Retain locknuts and hardware.

14. Disconnect any grounding wires and accessories that are connected to engine.



50636

**a** - Ground Stud

15. Disconnect (and suitably plug) fluid hoses from power steering control valve on transom.

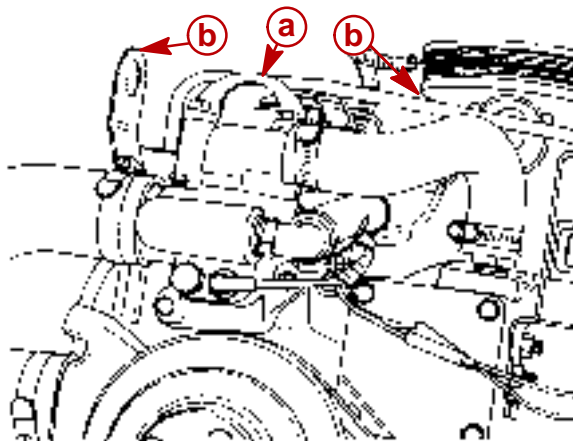
**⚠ CAUTION**

**Center lifting eye (located on top of thermostat housing) is used for engine alignment only. DO NOT use to lift entire engine.**

**⚠ CAUTION**

**DO NOT allow lifting sling to hook or compress engine components or damage will occur.**

16. Support engine with suitable sling through lifting eyes on engine and remove front and rear engine mounting bolts. Retain hardware.



75815

**Typical**

**a** - Center Lifting (Aligning) Eye

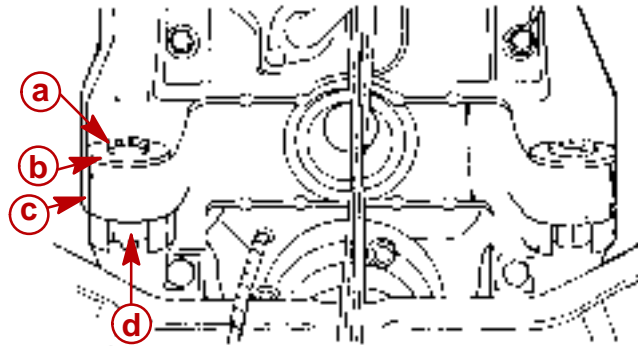
**b** - Lifting Eye

17. Carefully remove engine. DO NOT hit power steering control valve.

# Installation

## Engine Installation

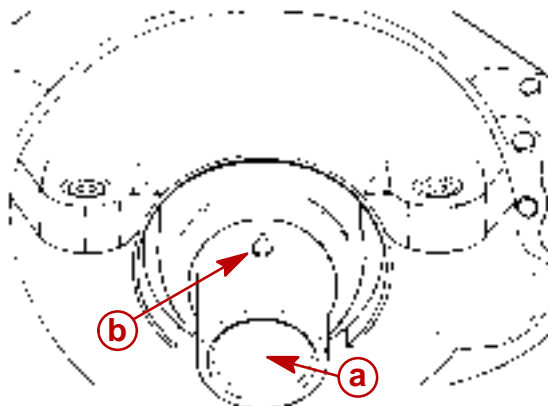
1. Be certain fiber washers (cemented in place) on inner transom plate are present. Inspect fiber washers. Replace if worn or damaged.
2. Install double wound lockwashers onto inner transom plate inside fiber washer.



72023

- a** - Double Wound Lockwasher
- b** - Fiber Washer
- c** - Inner Transom Plate Mount
- d** - Locknut

3. Be certain rear engine mount locknuts are in position as shown.
4. Lubricate exhaust bellows with soap and water to ease installation.
5. Lubricate engine coupling splines with Quicksilver Engine Coupler Spline Grease.



72017

- a** - Lubricate Splines With Quicksilver Engine Coupler Grease 92-816391A4
- b** - Grease Fitting

### ⚠ CAUTION

Center lifting eye (located on top of thermostat housing) is used for engine alignment only. DO NOT use to lift entire engine.

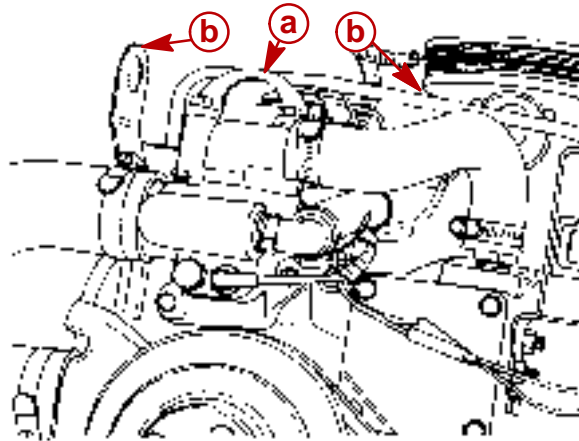
### ⚠ CAUTION

DO NOT allow lifting sling to hook or compress engine components or damage will occur.

6. Attach a suitable sling to lifting eyes on engine and adjust so that engine is level when suspended.



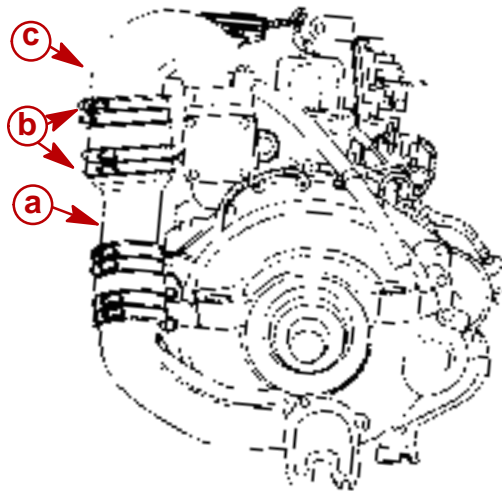
- Lift engine into position (in boat), using an overhead hoist.



75815

- a** - Center Lifting (Aligning) Eye
- b** - Lifting Eye

- Align rear engine mounts with inner transom plate mounts while simultaneously aligning exhaust tubes with exhaust pipe hoses (bellows). Do not fasten attaching hardware until you have aligned engine.

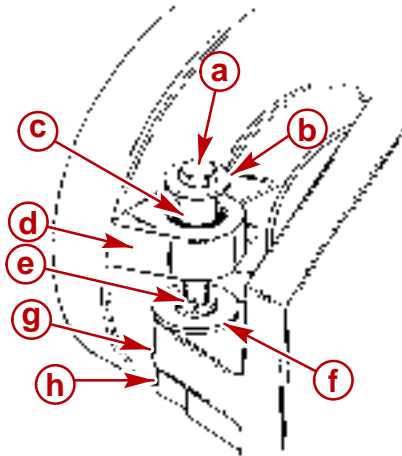


75819

- a** - Bellows
- b** - Clamps
- c** - Exhaust Pipe

**IMPORTANT: Engine attaching hardware must be installed in sequence shown.**

9. Install both rear engine mounting bolts and hardware as shown.
10. Torque mounting bolts to 38 lb-ft (52 Nm).



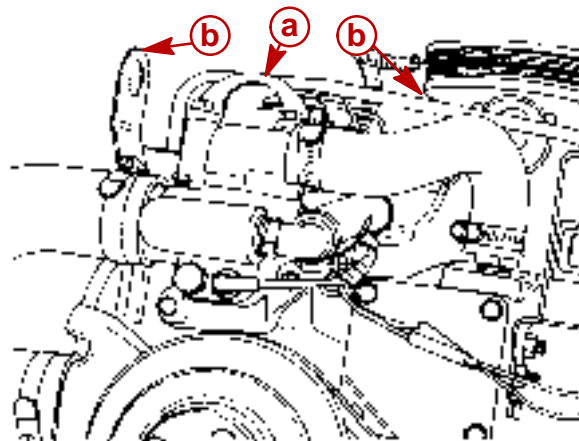
72535

- a** - Rear Engine Mounting Bolt
- b** - Large Steel Washer
- c** - Metal Spacer
- d** - Rear Engine Mount
- e** - Double Wound Lockwasher
- f** - Fiber Washer
- g** - Inner Transom Plate Mounts
- h** - Locknut (Hidden In This View)

**⚠ CAUTION**

**When lowering engine into position DO NOT set engine on shift cable. Shift cable outer casing can be crushed causing difficult or improper shifting.**

11. Set engine down on stringers and relieve hoist tension. Disconnect sling from engine lifting eyes and switch sling to center lifting eye.



75815

- a** - Center Lifting (Aligning) Eye
- b** - Lifting Eyes (rear lifting eye hidden in this view)

## Engine Alignment

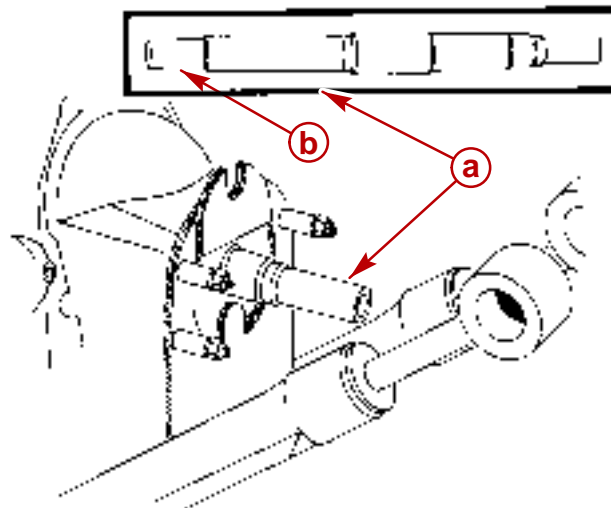
**IMPORTANT:** The modified 91-57797A3 tool or the new tool 91-805475A1 will align all current Alpha One as well as all older engines that used the older 91-57797A3.

### ⚠ CAUTION

To avoid damage to gimbal bearing, engine coupler, or alignment tool:

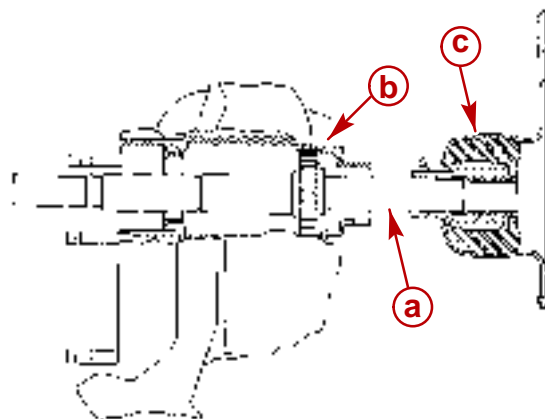
- **DO NOT** attempt to force alignment tool!
- **DO NOT** raise or lower engine with alignment tool inserted (or partially inserted) in gimbal bearing or engine coupler.

1. Attempt to insert solid end of Quicksilver Alignment Tool through gimbal bearing and into engine coupler splines.
2. If Quicksilver Alignment Tool will not insert easily, while observing the above precautions, **CAREFULLY** raise and lower front of engine with hoist. Continue as needed until tool will **SLIDE FREELY** all the way in and out of engine coupler splines.



70013

- a** - Alignment Tool (91-805475A1)  
**b** - Aligning End



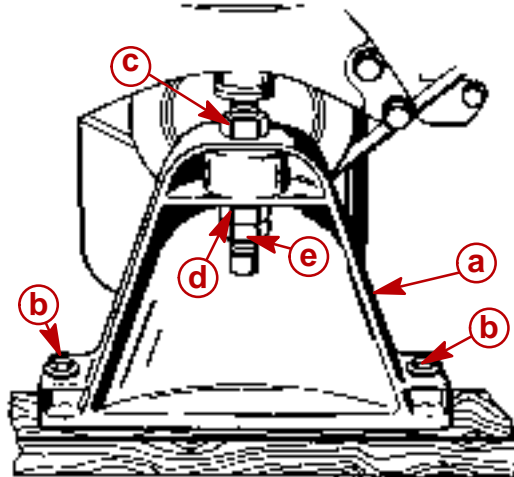
72585

- a** - Alignment Tool  
**b** - Gimbal Bearing  
**c** - Engine Coupler

**IMPORTANT:** Turn both front engine mount adjustment nuts an equal amount in direction required to align engine.

3. Adjust front engine mounts until they rest on boat stringers.

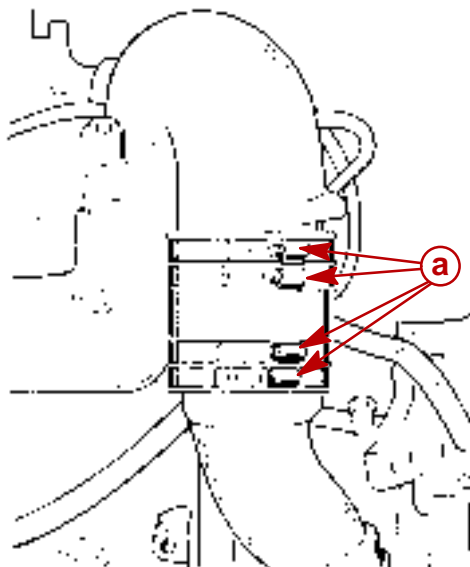
4. Relieve hoist tension entirely and fasten both front mounts to boat stringer using appropriate hardware (lag bolts or through-bolts, etc).
5. Recheck alignment with alignment tool. Tool must enter coupler splines freely. If not, readjust front mounts.
6. When alignment is correct, tighten locknut or nut with lockwasher on each mount securely.



22054

- a** - Front Mount
- b** - Attaching Bolts And Flat Washers
- c** - Adjustment Nut
- d** - Locknut
- e** - Jam Nut

7. Remove alignment tool if not already removed.
8. Tighten all exhaust system clamps securely as shown (use two clamps on each connection).



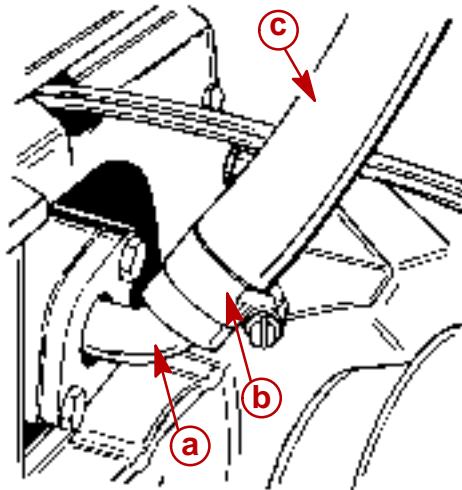
50633

- a** - Hose Clamps

## Engine Connections

**IMPORTANT:** When routing all wire harnesses and hoses, be sure they are routed and secured to avoid coming in contact with hot spots on engine and avoid contact with moving parts.

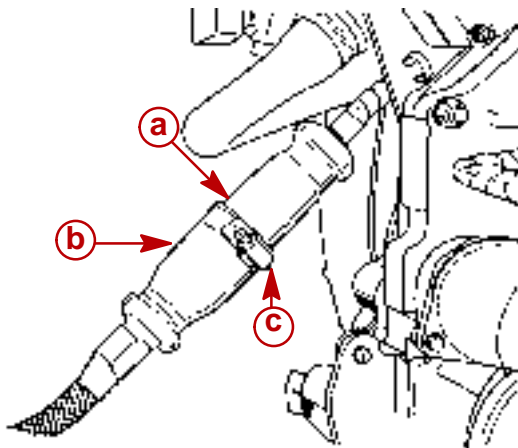
1. Connect seawater inlet hose to water tube at gimbal housing with hose clamp. Tighten clamp securely.



72614

- a** - Water Inlet Tube
- b** - Hose Clamp
- c** - Seawater Inlet Hose

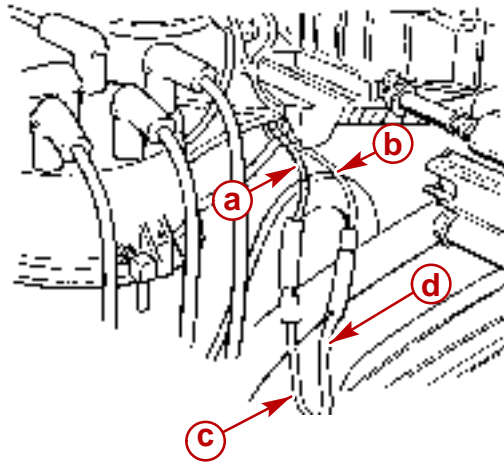
2. Connect instrument harness to engine harness with clamp. Tighten clamp securely.



50626

- a** - Engine Wiring Harness
- b** - Instrument Harness
- c** - Clamp

- Connect trim position sender leads from gimbal housing to leads from engine harness.



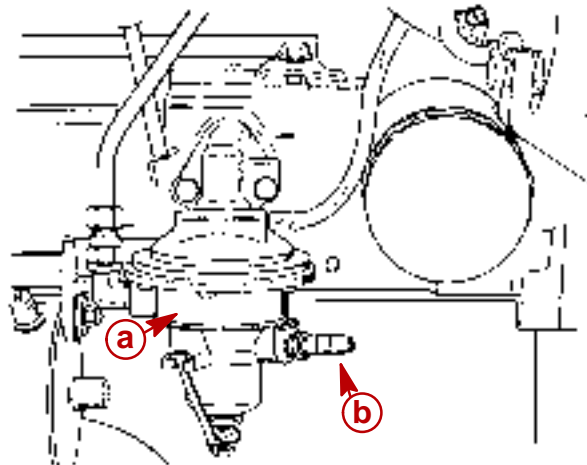
72992

- a** - BROWN/WHITE - From Engine Harness
- b** - BLACK - From Engine Harness
- c** - BLACK - From Transom Assembly
- d** - BLACK - From Transom Assembly

### ⚠ WARNING

**Be careful when working on fuel system. Gasoline is extremely flammable and highly explosive under certain conditions. Do not smoke or allow spark or open flame in area. Wipe up any spilled fuel immediately.**

- Connect fuel line from fuel tank(s) to engine. Make certain connections are secure. Check for leaks.



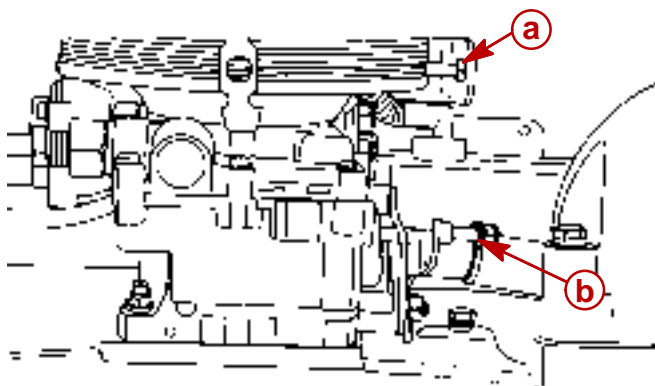
50738

- a** - Fuel Pump
- b** - Connect Flexible Fuel Inlet Line Here

5. Connect throttle cable using hardware retained and adjust as follows:

- a. Place remote control handle(s) in NEUTRAL, idle position.

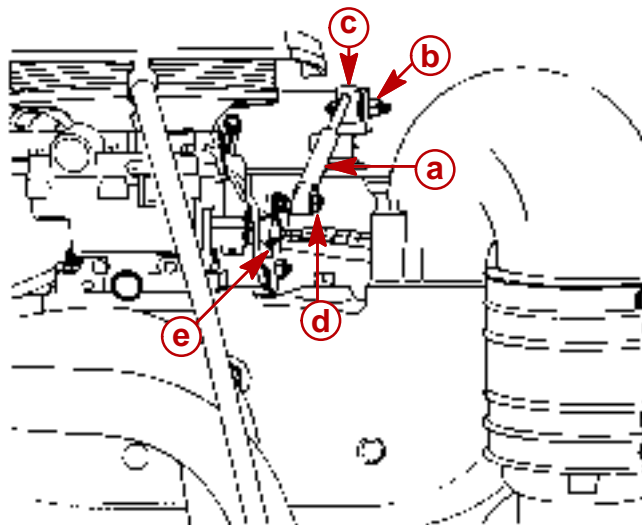
**IMPORTANT: Be sure that cable is routed in such a way as to avoid sharp bends and/or contact with moving parts. DO NOT fasten any items to throttle cable. Outer cable must be free to move when cable is actuated.**



75817

**a** - Anchor Bolt

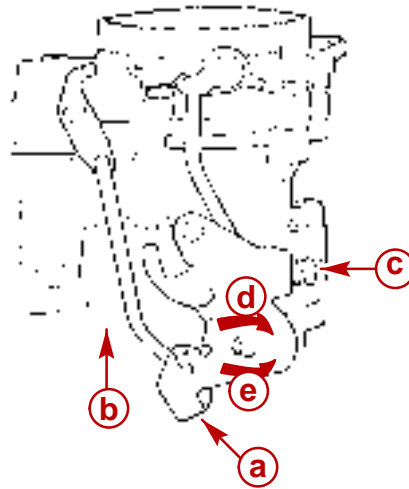
- b. Install cable end guide on throttle lever, then push cable barrel lightly toward throttle lever end. (This will place a slight preload on cable to avoid slack in cable when moving remote control lever.) Adjust barrel on throttle cable to align with anchor stud.
- c. Secure throttle cable with hardware (retained) as shown. Tighten cable end guide locknut until it contacts and then loosen one full turn. Tighten throttle cable anchor screw securely. **DO NOT OVERTIGHTEN**, as cable must pivot freely.



75810

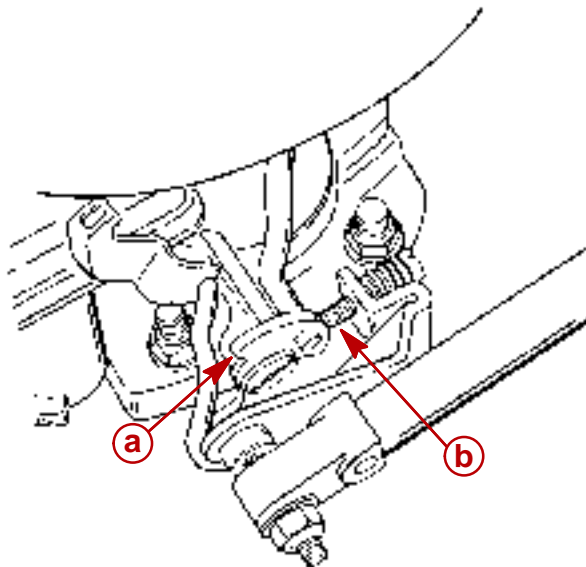
- a** - Cable End Guide
- b** - Throttle Cable Anchor Screw
- c** - Cable Barrel
- d** - Cable End Guide Locknut
- e** - Throttle Lever

- d. Place remote control throttle lever in the wide-open-throttle (W.O.T.) position. Ensure that throttle shutters (valves) are completely open and throttle shaft lever contacts carburetor body casting.
- e. Return remote control throttle lever to idle position and ensure that throttle lever contacts idle speed adjustment screw.



72283

- a** - Throttle Lever Tang
- b** - Carburetor Body
- c** - Idle Speed Adjustment Screw
- d** - Wide Open Throttle
- e** - Idle



50633

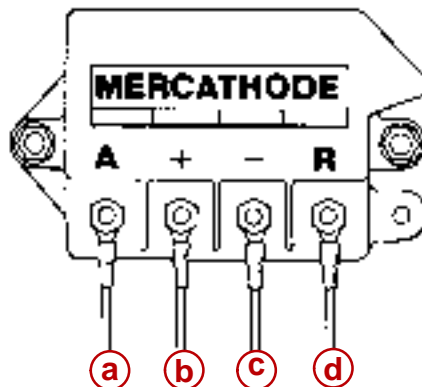
- a** - Throttle Lever
- b** - Idle Speed Adjustment Screw

**IMPORTANT: Do not attach any accessory ground (-) wires to transom plate ground point. Accessory ground wires should only be attached to ground stud on engine.**

6. Connect any grounding wires or accessories that have been disconnected.



7. Connect MerCathode wires to MerCathode controller assembly as shown, if equipped. Apply a thin coat of Quicksilver Liquid Neoprene to all connections.



22232

- a** - ORANGE Wire - From Electrode on Transom Assembly
- b** - RED/PURPLE Wire - Connect Other End to Positive(+) Battery Terminal
- c** - BLACK Wire - From Engine Harness
- d** - BROWN Wire - From Electrode on Transom Assembly

**IMPORTANT:** Adjust shift cables as outlined in appropriate Sterndrive Service Manual.

8. Refer to appropriate Sterndrive Service Manual. Install and adjust drive unit and remote control shift cables, using hardware retained.

**IMPORTANT:** After fluid hose installation in the following, bleed power steering system as outlined in SECTION 1B - "Maintenance" or refer to appropriate Sterndrive Service Manual.

9. Connect power steering fluid hoses to control valve (large fitting first) as shown.

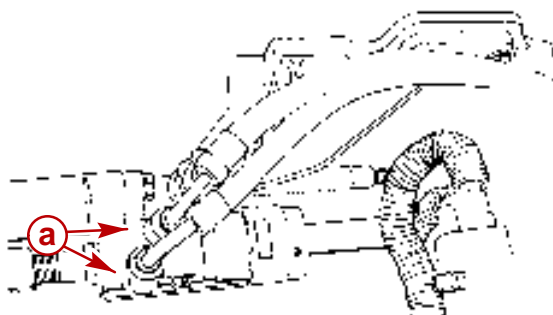
### ⚠ CAUTION

Route hoses exactly as shown below. This will help avoid stress on the hose fittings and will help avoid kinks in the hose.

**IMPORTANT:** Make hydraulic connections as quickly as possible to prevent fluid leakage.

**IMPORTANT:** Be careful not to cross-thread or overtighten fittings.

10. Torque fittings to 23 lb-ft (31 Nm).



73786

- a** - Power Steering Fluid Hose Fittings

11. Connect battery cables to battery by FIRST connecting POSITIVE (+) battery cable (usually RED) to POSITIVE (+) battery terminal.
12. Tighten clamps securely.
13. Connect NEGATIVE (-) battery cable (usually BLACK) to NEGATIVE (-) battery terminal.
14. Tighten clamp securely.

**NOTE:** *Spray terminals with a battery connection sealant to help retard corrosion.*

**THIS PAGE IS INTENTIONALLY BLANK**

**THIS PAGE IS INTENTIONALLY BLANK**

# ENGINE

## Section 3A - 181 cid (3.0L) 4 Cylinder GM Engine

### Table of Contents

Torque Specifications . . . . .	3A-3	Cylinder Head and Valve Conditioning . .	3A-26
Tools . . . . .	3A-4	Disassembly . . . . .	3A-26
Special Tools . . . . .	3A-4	Cleaning . . . . .	3A-26
Lubricants/Sealants/Adhesives . . . . .	3A-5	Inspection . . . . .	3A-27
Engine Specifications . . . . .	3A-5	Rocker Arm Studs . . . . .	3A-28
Cylinder Bore . . . . .	3A-5	Valve Guide Bore Repair . . . . .	3A-29
Piston Clearance . . . . .	3A-5	Valve Springs - Checking Tension . . . .	3A-30
Piston Ring: Compression . . . . .	3A-5	Valve Seats . . . . .	3A-30
Piston Ring: Oil . . . . .	3A-6	Reassembly . . . . .	3A-31
Piston Pin . . . . .	3A-6	Dipstick Specifications . . . . .	3A-33
Crankshaft . . . . .	3A-6	All Engines . . . . .	3A-33
Camshaft . . . . .	3A-6	Oil Pan . . . . .	3A-34
Cylinder Head . . . . .	3A-7	Removal . . . . .	3A-34
Valve System . . . . .	3A-7	Installation . . . . .	3A-34
General . . . . .	3A-7	Oil Pump . . . . .	3A-35
Engine Identification . . . . .	3A-8	Removal . . . . .	3A-35
Engine Rotation . . . . .	3A-8	Disassembly . . . . .	3A-35
Firing Order . . . . .	3A-9	Cleaning and Inspection . . . . .	3A-36
Priming Engine With Oil . . . . .	3A-9	Reassembly . . . . .	3A-36
Tool Required . . . . .	3A-9	Installation . . . . .	3A-36
Bearing Failures . . . . .	3A-10	Torsional Damper . . . . .	3A-37
Piston Failures . . . . .	3A-12	Removal . . . . .	3A-37
Pre-Ignition . . . . .	3A-12	Installation . . . . .	3A-37
Detonation . . . . .	3A-13	Crankcase Oil Seal . . . . .	3A-39
Engine Mounts . . . . .	3A-14	Replacing Oil Seal Without Removing	
Rocker Arm Cover . . . . .	3A-15	Front Cover . . . . .	3A-39
Removal . . . . .	3A-15	Crankcase Front Cover . . . . .	3A-40
Installation . . . . .	3A-15	Removal . . . . .	3A-40
Push Rod Cover . . . . .	3A-16	Cleaning and Inspection . . . . .	3A-40
Removal . . . . .	3A-16	Installation . . . . .	3A-40
Installation . . . . .	3A-16	Flywheel and Engine Coupler . . . . .	3A-41
Rocker Arm/Push Rod . . . . .	3A-17	Removal . . . . .	3A-41
Removal . . . . .	3A-17	Inspection . . . . .	3A-41
Cleaning and Inspection . . . . .	3A-17	Installation . . . . .	3A-42
Installation . . . . .	3A-18	Rear Main Oil Seal . . . . .	3A-43
Valve Adjustment . . . . .	3A-18	Removal . . . . .	3A-43
Engine Not Running . . . . .	3A-18	Cleaning and Inspection . . . . .	3A-43
Engine Running . . . . .	3A-19	Installation . . . . .	3A-43
Hydraulic Valve Lifters . . . . .	3A-20	Main Bearings . . . . .	3A-44
Locating Noisy Lifters . . . . .	3A-20	Inspection . . . . .	3A-44
Removal . . . . .	3A-21	Checking Clearances . . . . .	3A-45
Cleaning and Inspection . . . . .	3A-21	Main Bearing Replacement . . . . .	3A-46
Installation . . . . .	3A-21	Connecting Rod Bearings . . . . .	3A-47
Valve Stem Oil Seal/Valve Spring . . . . .	3A-22	Inspection and Replacement . . . . .	3A-47
Replacing Oil Seal (Head Installed) . .	3A-23	Connecting Rod/Piston Assembly . . . . .	3A-49
Cylinder Head . . . . .	3A-24	Removal . . . . .	3A-49
Cleaning and Inspection . . . . .	3A-25	Disassembly . . . . .	3A-49
Installation . . . . .	3A-25	Cleaning and Inspection . . . . .	3A-50
		Reassembly . . . . .	3A-51
		Installation . . . . .	3A-53

## Table of Contents (continued)

---

Crankshaft .....	3A-55	Camshaft Bearings .....	3A-62
Removal .....	3A-55	Removal .....	3A-62
Cleaning and Inspection .....	3A-56	Inspection .....	3A-62
Installation .....	3A-56	Installation .....	3A-62
Crankshaft Sprocket .....	3A-57	Cylinder Block .....	3A-64
Removal .....	3A-57	Cleaning and Inspection .....	3A-64
Installation .....	3A-57	Oil Filter By-Pass Valve .....	3A-68
Camshaft .....	3A-58	Inspection and/or Replacement .....	3A-68
Measuring Lobe Lift .....	3A-58		
Removal .....	3A-58		
Inspection .....	3A-59		
Camshaft Gear Replacement .....	3A-60		
Installation .....	3A-60		

---

# Torque Specifications

Fastener Location		lb-in.	lb-ft	Nm
Camshaft Sprocket Bolts		80		9
Connecting Rod Cap Nuts			45	61
Cylinder Head Bolts			90 <sup>1</sup>	122
Distributor Clamp			20	27
Engine Coupler to Flywheel			35	47
Flywheel Housing to Block			21	28
Flywheel to Crankshaft Bolts			65	88
Front Cover Bolts		27-35		3.4
Front Mount to Block			21	28
Main Bearing Cap Bolts			65	88
Manifold to Head	Center		20-25 <sup>2</sup>	27-34
	Outer		15-20	20-27
Oil Pan Bolts-Crankcase		80		9
Oil Pan Bolts-to Front Cover		45		5
Oil Pan Studs to Oil Seal Retainer or Crankcase		15		1.7
Oil Pump Cover		72		8
Oil Pump to Block		120		14
Oil Pump Pickup		60		7
Rocker Arm Cover and Bolts		40		4.5
Rocker Arm Nuts		3/4 Turn Down From Zero Lash		
Push Rod Cover Bolts		40		4.5
Crankshaft Rear Oil Seal Retainer Nuts		150-180		17-20
Spark Plugs			22	30
Starter Motor to Block			37	50
Timing Gear Cover		72		8
Torsional Damper Bolt			50	68
Water Pump to Block			15	20

<sup>1</sup> Retorque after first 20 hours of operation.

<sup>2</sup> Retorque after first start-up.

## Tools

Description	Parts Number
Piston Ring Expander	91-24697
Torch Lamp	91-63209

## Special Tools

KENT MOORE SPECIAL TOOLS	
Kent-Moore Special Tools 29784 Little Mack Roseville, MI 48066 Phone: (313) 574-2332	
Description	Parts Number
Valve Spring Compressor (Head on)	J5892
Valve Spring Compressor (Head off)	J8062
Valve Stem Seal Tester	J23738-A
Valve Guide Reamer (Standard)	J8814
Valve Guide Reamer (.015 in. oversize)	J5830-02
Rocker Arm Stud Remover	J5802-01
Rocker Arm Stud Installer	J6880
Stud Bore Reamer (.003 in. oversize)	J5715
Stud Bore Reamer (.013 in. oversize)	J6036
Carbon Remover Brush	J8089
Piston Support Tool	J5910-04
Piston Pin Tool	J24086-B
Piston Ring Groove Cleaner	J3936-03
Piston Ring Compressor	J8037
Connecting Rod Guide Tool (3/8-24)	J5239
Cylinder Bore Checker	J8087
Oil Pump Suction Pipe Installer	J8369
Timing Cover Seal Aligner	J23042-B
Cam Lobe Lift Indicator	J8520
Camshaft Bearing Installer/Remover Tool	J6098-01
Distributor Shaft Lower Bearing Installer/Remover	J9534-01
Pulley Hub Puller	J6978-E
Pulley Hub Installer	J5590
Universal Torsional Damper Remover	J24420-B



## Lubricants/Sealants/Adhesives

Description	Parts Number
Quicksilver Perfect Seal	92-34227--1
Quicksilver 2-4-C Marine Lubricant with Teflon	92-825407A3
Quicksilver RTV Sealer	92-809826

## Engine Specifications

NOTICE	
Unit Of Measurement: U.S. Inches (Millimeters)	

Model	3.0L
Displacement	181 cid (3.0L)

## Cylinder Bore

Diameter		3.9995-4.0025 (101.588-101.790)	
Out of Round		Production	.0005 (0.012) Max
		Service	.002 (0.05) Max
Taper	Production	Thrust Side	.0005 (0.012) Max
		Relief Side	.0005 (0.012) Max
	Service		.001 (0.02) Max

## Piston Clearance

Production	.0025-.0035 (0.064-0.088) Max
Service	.0035 (0.08) Max

## Piston Ring: Compression

Groove Clearance	Production	Top	.0012-.0029 (0.030-0.073)
		2nd	
Service			.003 (0.09) Max
Gap	Production	Top	.010-.020 (0.254-0.762)
		2nd	
	Service		

## Piston Ring: Oil

Groove Clearance	Production	.001-.006 (0.026-0.152)
	Service Limit	.007 (0.17) Max
Gap	Production	.010-.030 (0.254-0.762) Max
	Service Limit	.040 (1.01) Max

## Piston Pin

Diameter		.9270-.9271 (23.546-23.550)
Clearance	Production	.0003-.0006 (0.008-0.016)
	Service Limit	.001 (0.02) Max
Fit in Rod		.0008-.0019 (0.020-0.050) Interference

## Crankshaft

Main Journal	Diameter		2.2979-2.294 (58.367-58.404)
	Taper	Production	.0002 (0.005) Max
		Service	.001 (0.02) Max
	Out of Round	Production	.0002 (0.005) Max
Service		.001 (0.02) Max	
Main Bearing Clearance	Production	No.1-No.4	.001-.0024 (0.025-0.060)
	Service	No.5	.0016-.0035 (0.041-0.088)
	Production	No.1-No.4	.001-.0025 (0.03-0.06)
	Service	No.5	.002-.0035 (0.05-0.08)
Crankshaft End Play			.002-.006 (0.05-0.15)
Crankpin	Diameter		2.09980-2.0995 (53.289-53.327)
	Taper	Production	.0003 (0.007) Max
		Service	.001 (0.02) Max
	Out of Round	Production	.0002 (0.51) Max
Service		.001 (0.02) Max	
Rod Bearing Clearance	Production		.0017-.0027 (0.044-0.0686)
	Service		
Rod Size Clearance			.006-.017 (0.153-0.4318) Max

## Camshaft

Lobe Lift (Max.)	Intake	.2529 (6.425)
	Exhaust	.2529 (6.425)
Journal Diameter		1.8677-1.8697 (47.440-47.490)
Camshaft End Play		.003-.008 (0.08-0.2032) Max

## Cylinder Head

Gasket Surface Flatness	.003-.008 in any 6 in. (152) or .007 (0.15) Overall Max
-------------------------	---

## Valve System

Lifter		Hydraulic	
Rocker Arm Ratio		1.75 to 1	
Collapsed Tappet Gap		3/4 Turn Down from Zero Lash	
Face Angle	Intake	45°	
	Exhaust	45°	
Seat Angle (Intake & Exhaust)		46°	
Seat Runout (Intake & Exhaust)		.002 (0.05) Max	
Seat Width	Intake	1/16 (.0625 in.) (1.16 mm)	
	Exhaust	1/16-5/64 [.0625-.07812 in.] (1.6-2.0 mm)	
Stem Clearance	Production	Intake	.0010-.0027 (0.025-0.069)
		Exhaust	.0007-.0027 (0.018-0.069)
	Service	Intake	.003 (0.09) Max
		Exhaust	.004 (0.11) Max
Spring	Free Length		2-1/16 in. (52 mm)
	Pressure	Valve Closed	100-110 lb. (136-149 N) at 1-19/32 in. (41 mm)
		Valve Open	208-220 lb. (282-300 N) at 1-7/32 in. (31 mm)
	Installed Height ± .031(8)	Intake	(1/32) 1.6562 (42)
Exhaust			
Internal Damper		None	

## General

Some of the repairs in this section must be completed with engine removed from boat. Engine removal depends upon type of repair and boat design. Place engine on repair stand for major repairs.

When engine removal is not required, make certain that battery cables are disconnected at the battery prior to performing any on-board engine repair procedure.

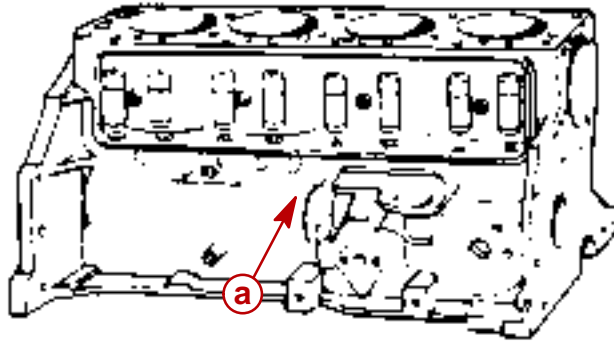
Lubricate all moving parts (during reassembly) with engine oil. Apply Quicksilver Perfect Seal on threads of and under heads of cylinder head bolts, and on threads of all cylinder block external bolts, screws and studs.

Model	No. of Cylinders	cu-in./liters Displacement
MCM 3.0L	4	181 (3L)

## Engine Identification

The MerCruiser Model can be determined by looking at the LAST TWO LETTERS of the engine code stamped into the cylinder block. This code number is stamped on all MerCruiser power packages and replacement partial engines, but not replacement cylinder block assemblies.

If the engine serial number and/or model decals are missing, the engine code letters may help in determining the engine models.



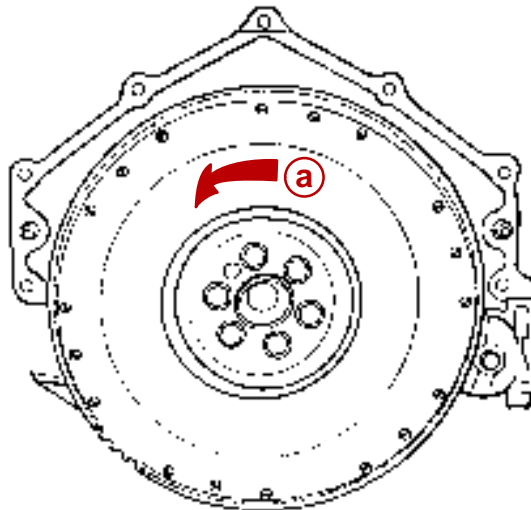
74520

**G.M. Engine Code Location 3.0L -**  
**RX (12-3/4 in. or 324 mm flywheel) - S/N 0L096999 and below**  
**RP (14 in. or 356 mm flywheel) - S/N 0L097000 and above**  
**a - 4 Cylinder-In-Line Engine Code (Next To Distributor)**

## Engine Rotation

Engine rotation terminology at times has caused confusion. To clarify, engine rotation is determined by observing flywheel rotation from the rear (transmission or sterndrive end) of the engine looking forward (water pump end).

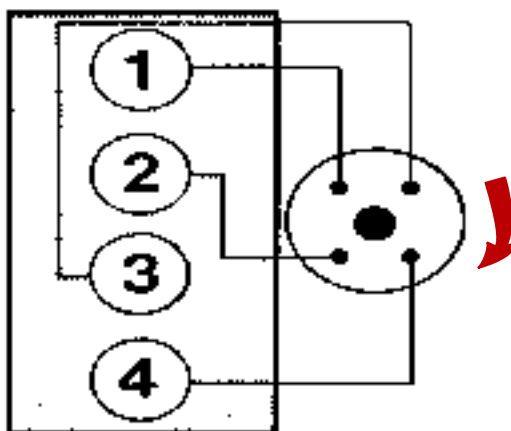
PROPELLER ROTATION IS NOT NECESSARILY THE SAME as engine rotation. Do not rely on propeller rotation in determining engine rotation.



72001

**a - Left-Hand Rotation (CCW)**

## Firing Order



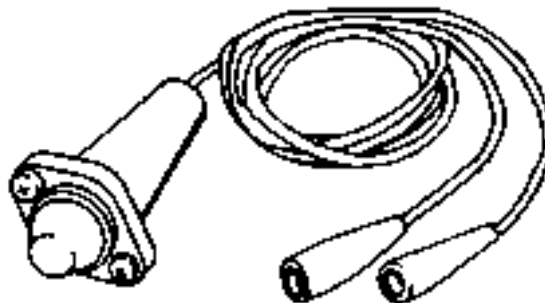
50683

Firing Order 1-3-4-2

## Priming Engine With Oil

**IMPORTANT:** This applies to all power packages that have not been run within 6 months, replacement of partial engines or after rebuilding an engine.

### Tool Required

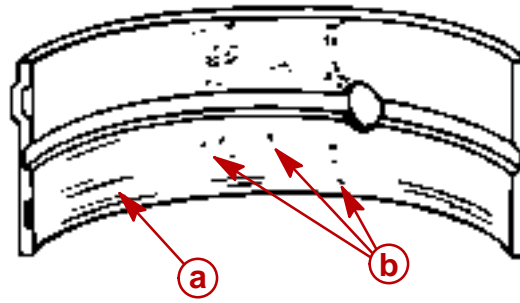


71089

#### Remote Starter Kit (91-52024A1)

1. Fill crankcase to proper level with the recommended engine oil.
2. Remove spark plugs.
3. Leave ignition key in "OFF" position.
4. Connect remote starter switch to large 12 V terminal (RED battery cable) and small terminal (RED/YELLOW) wire on starter motor.
  - a. If remote starter switch is not available, disconnect PURPLE wire from ignition coil before using key switch to crank the engine over. Tape terminal on PURPLE wire to prevent it from touching ground.
5. Crank engine for 15 seconds, then allow starter motor to cool down for 1 minute. This should prevent starter motor from overheating.
6. Repeat this process until a total of 45 seconds of cranking time is achieved.
7. Remove remote starter switch.
  - a. If key switch was used, reconnect PURPLE wire to ignition coil.
8. Install spark plugs and wires
9. Supply cooling water to seawater pump and start motor.

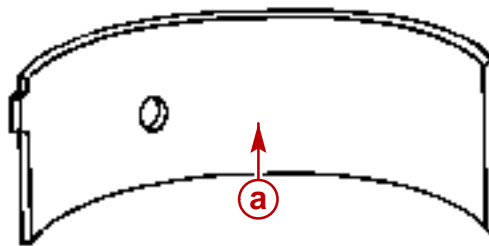
# Bearing Failures



70436

## Scatched By Dirt

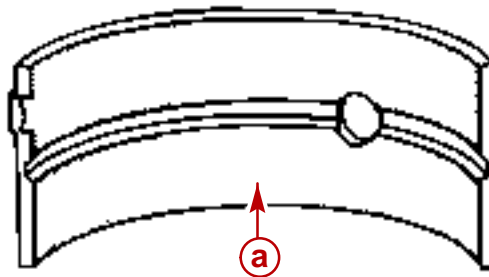
- a** - Scratches
- b** - Dirt Imbedded In Bearing Material



70436

## Tapered Journal

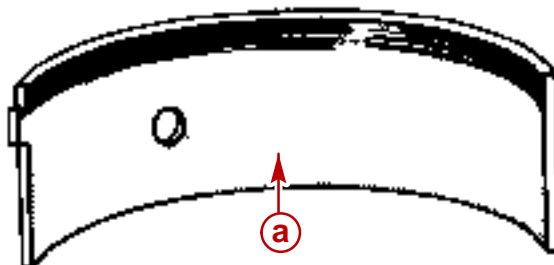
- a** - Overlay Gone From Entire Surface



70436

## Lack Of Oil

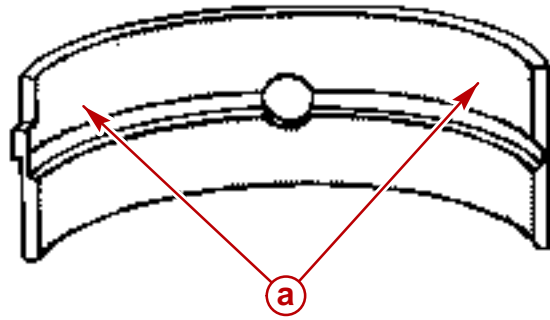
- a** - Overlay Worn Off



70436

## Radius Ride

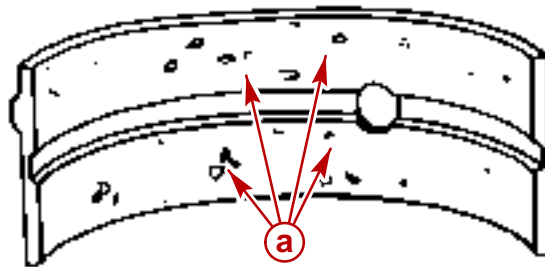
- a** - Worn Area



70436

**Improper Seating**

**a** - Bright Or Polished Sections



70436

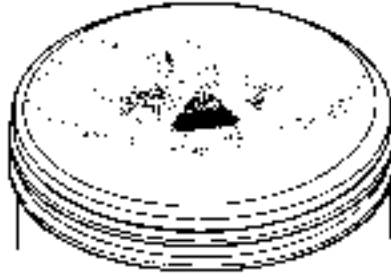
**Fatigue Failure**

**a** - Craters or Pockets

# Piston Failures

## Pre-Ignition

Pre-ignition is abnormal fuel ignition, caused by combustion chamber hot spots. Control of the start of ignition is lost, as combustion pressure rises too early, causing power loss and rough running. The upward motion on the piston is opposed by the pressure rise. This can result in extensive damage to the internal parts from the high increase in combustion chamber temperature.



72424

### Pre-Ignition Damage

## CAUSES

1. Hot spots in the combustion chamber from glowing deposits (due in turn to the use of improper oils and/or fuels).
2. Overheated spark plug electrodes (improper heat range or defective plug).
3. Any other protuberance in the combustion chamber, such as an overhanging piece of gasket, an improperly seated valve or any other inadequately cooled section of material which can serve as a source.

Engine failures that result from the foregoing conditions are beyond the control of Mercury Marine. No warranty will apply to failures which occur under these conditions.



## Detonation

Detonation, commonly called “fuel knock,” “spark knock” or “carbon knock,” is abnormal combustion of the fuel which causes the fuel to explode violently. The explosion causes overheating or damage to the spark plugs, pistons, valves and, in severe cases, results in pre-ignition.

### CAUSES

**IMPORTANT: Use of improper fuels will cause engine damage and poor performance.**

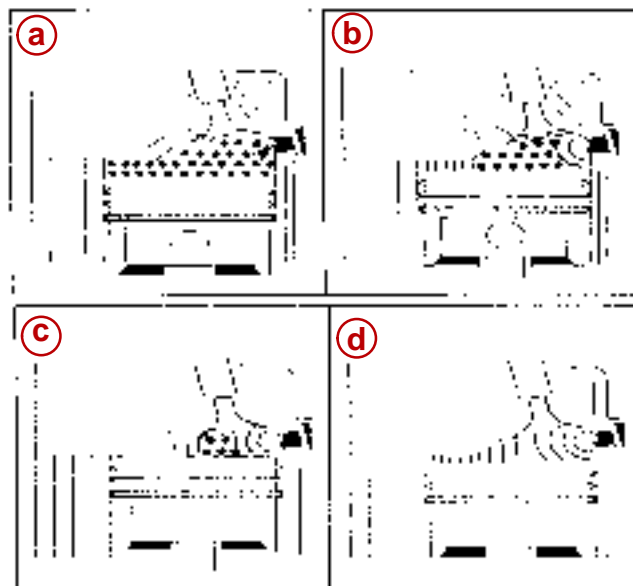
1. Use of low octane gasoline is one of the most common causes of detonation. Even with high octane gasoline, detonation could occur if engine maintenance is neglected.
2. Over-advanced ignition timing.
3. Lean fuel mixture at or near full throttle (could be caused by carburetor or leaking intake manifold).
4. Cross-firing spark plugs.
5. Excess accumulation of deposits on piston and/or combustion chamber (results in higher compression ratio).
6. Inadequate cooling of engine by deterioration of cooling system.

Engine failures that result from the foregoing conditions are beyond the control of MerCruiser. No warranty will apply to failures which occur under these conditions.



72425

### Detonation Damage



72315

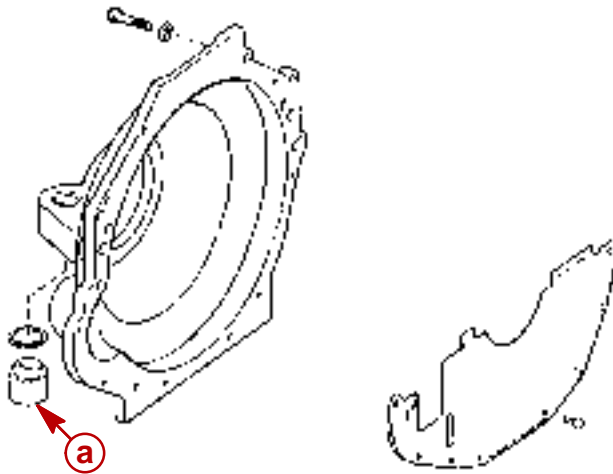
- a** - Spark Occurs
- b** - Combustion Begins
- c** - Combustion Continues
- d** - Detonation Occurs

# Engine Mounts



74275

**Front Mount**



72318

**Rear Mount/Flywheel Housing**

**a** - Press Mount Out With Press

# Rocker Arm Cover

## Removal

It may be necessary to remove exhaust manifold before removing rocker arm cover. Refer to SECTION 7B for removal.

1. Disconnect crankcase ventilation hose.
2. Remove any items that interfere with the removal of rocker arm covers.

**IMPORTANT: DO NOT pry rocker arm cover loose. Gaskets, which may adhere to cylinder head and rocker arm cover, may be loosened by bumping end of rocker cover from the rear with palm of hand or a rubber mallet.**

3. Remove rocker arm cover.

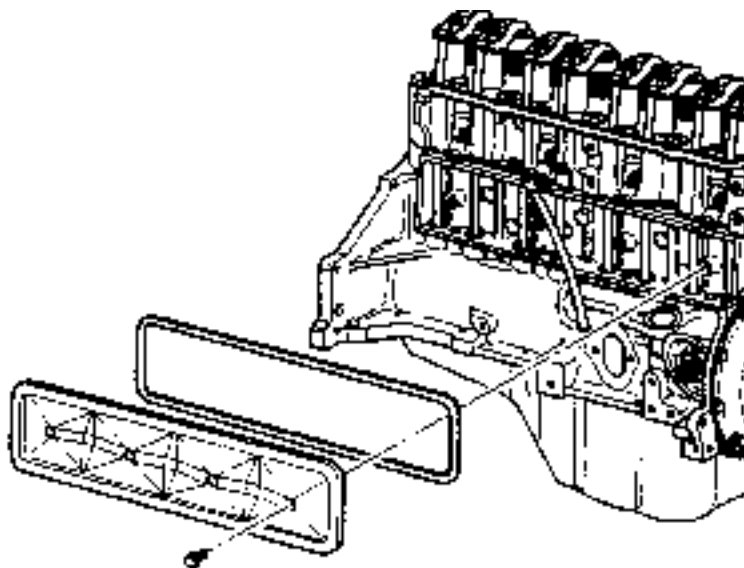
## Installation

1. Clean sealing surfaces on cylinder head and rocker arm cover with degreaser.
2. Place new rocker arm cover gasket in position in rocker arm cover.
3. Install rocker arm cover. Torque bolts to 40 lb-in. (4.5 Nm).
4. Install exhaust manifolds.
5. Install any items which were removed to allow removal of rocker arm covers.
6. Connect crankcase ventilation hose to rocker arm cover.

# Push Rod Cover

## Removal

1. Remove the pushrod cover bolts.
2. Remove the pushrod cover.
3. Remove the gasket.

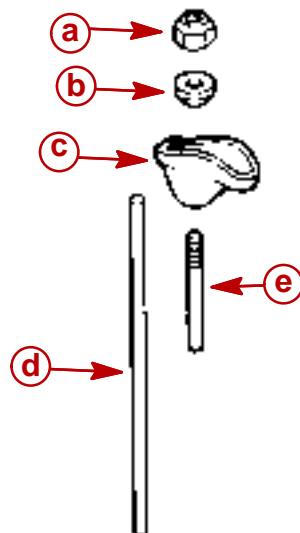


76247

## Installation

1. Clean sealing surfaces on pushrod cover with degreaser.
2. Install new pushrod cover gasket in position.
3. Install pushrod cover. Torque bolts to 40 lb-in. (4.5 Nm).

## Rocker Arm/Push Rod



74287

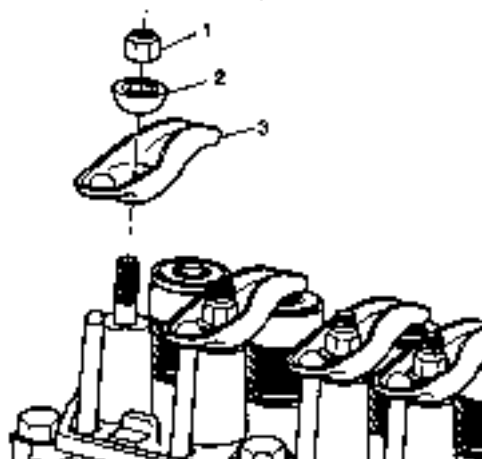
### Valve Mechanism

- a** - Nut
- b** - Ball Unit
- c** - Rocker Arm
- d** - Push Rod
- e** - Rocker Arm Stud

## Removal

**NOTE:** When servicing only one cylinder's rocker arms, bring that cylinder's piston up to TDC before removing rocker arms. When servicing all rocker arms, bring No. 1 piston up to TDC before removing rocker arms.

1. Remove rocker arm covers as outlined.
2. Remove rocker arm assemblies and push rods.



76232

**IMPORTANT:** Place rocker arm assemblies and push rods in a rack for reassembly in their original locations.

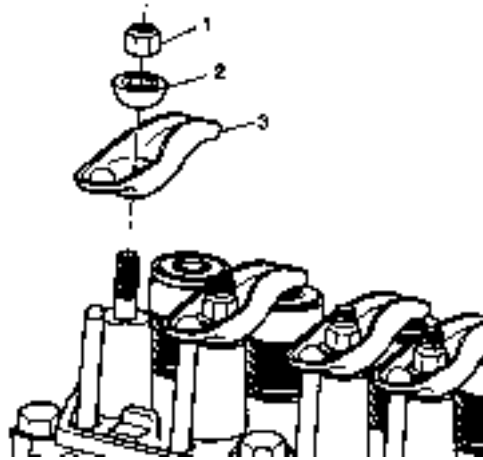
## Cleaning and Inspection

1. Clean parts with solvent and dry with compressed air.
2. Inspect all contact surfaces for wear. Replace all damaged parts.

## Installation

**IMPORTANT:** When installing rocker arms and rocker arm balls, coat bearing surfaces of rocker arms and rocker arm balls with engine oil.

1. Install push rods in their original locations. Be sure push rods seat in lifter socket.
2. Install rocker arms, rocker arm balls and rocker arm nuts in their original locations.



76232

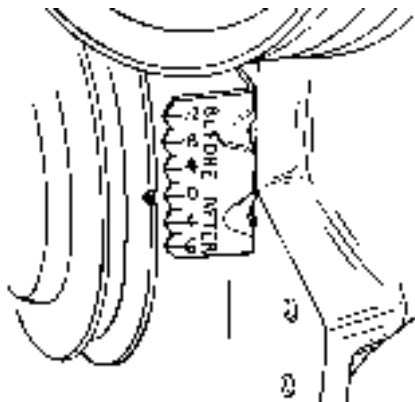
3. Turn nut down 1/4 additional turn and pause 10 seconds until engine runs smoothly. Repeat additional 1/4 turns, pausing 10 seconds each time, until nut has been turned down 3/4 turn from zero lash position.
4. Adjust carburetor idle speed and mixture.

## Valve Adjustment

### Engine Not Running

With valve cover removed, adjust valves when lifter is on low part of camshaft lobe, as follows:

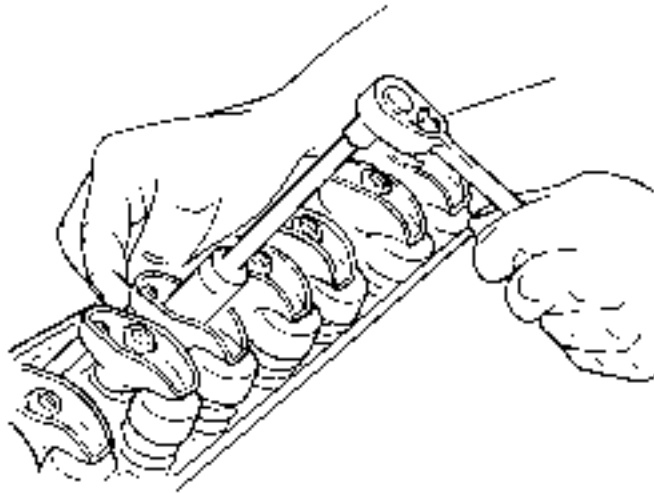
1. Crank engine with starter or turn over in normal direction of rotation until mark on torsional damper lines up with center "0" mark on timing tab, and engine is in No. 1 firing position. This may be determined by placing fingers on No. 1 valve as mark. If valves move as mark comes up to timing tab, engine is in No.4 firing position and should be turned over one more time to reach No. 1 position.



50770

Typical

2. With engine in No. 1 firing position as determined above, the following valves may be adjusted:
  - No. 1 Cylinder - Exhaust and Intake
  - No. 2 Cylinder - Intake
  - No. 3 Cylinder - Exhaust
  - No. 4 Cylinder - Intake
3. Loosen adjusting nut until lash is felt at push rod, then tighten adjusting nut until all lash is removed. This can be determined by moving push rod up and down while turning adjusting nut until all play is removed.



72300

4. Hydraulic lifters can be adjusted by tightening adjustment nut an additional 3/4-turn. Valve lash should be checked after engine has run and reached operating temperature.
5. Crank engine one revolution until pointer "0" mark and torsional damper mark are again in alignment. This is No. 4 firing position. With engine in this position, the following valves may be adjusted:
  - No. 2 Cylinder - Exhaust
  - No. 3 Cylinder - Intake
  - No. 4 Cylinder - Exhaust
6. Repeat steps 3-4 to adjust other valves.
7. Install Distributor cap, spark plug wires and coil lead.
8. Install rocker arm cover; torque to 40 lb-in. (4.5 Nm).

## Engine Running

Following procedure should be completed only if readjustment is required.

1. Run engine until it reaches normal operating temperature, then remove valve cover.
2. With engine running at idle, loosen valve rocker arm nut until valve rocker arm starts to clatter.
3. Turn rocker arm nut down slowly until clatter just stops. This is zero lash position.
4. Tighten nut 1/4 additional turn and pause 10 seconds until engine runs smoothly. Repeat additional 1/4 turns, pausing 10 seconds each time, until nut has been tightened 3/4 turn from zero lash position.

**IMPORTANT:** The following preload adjustment must be done slowly to allow lifter to adjust itself, thus preventing possibility of the valve head contacting the top of piston, which may result in internal damage and/or bent push rods.

5. Repeat Steps 2-4 to adjust other valves.
6. Install rocker arm cover, torque to 40 lb-in. (4.5 Nm).
7. Adjust carburetor idle mixture and idle speed. Check for leaks.

## Hydraulic Valve Lifters

Hydraulic valve lifters require little attention. Lifters are extremely simple in design. Normally, readjustments are not necessary and servicing requires only that care and cleanliness be exercised in the handling of parts.

### Locating Noisy Lifters

Locate a noisy valve lifter by using a piece of garden hose approximately 4 ft (1.2 m) in length. Place one end of hose near end of each intake and exhaust valve, with other end of hose to the ear. In this manner, sound is localized, making it easy to determine which lifter is at fault.

Another method is to place a finger on face of valve spring retainer. If lifter is not functioning properly, a distinct shock will be felt when valve returns to its seat.

General types of valve lifter noise are as follows:

1. Hard rapping noise - usually caused by plunger becoming tight in bore of lifter body so that return spring cannot push plunger back up to working position. Probable causes are:
  - Excessive varnish or carbon deposit, causing abnormal stickiness.
  - Galling or "pickup" between plunger and bore of lifter body, usually caused by an abrasive piece of dirt or metal wedged between plunger and lifter body.
2. Moderate rapping noise - probable causes are:
  - Excessively high leakdown rate.
  - Leaky check valve seat.
  - Improper adjustment.
3. General noise throughout valve train - this will, in most cases, be a definite indication of insufficient oil supply or improper adjustment.
4. Intermittent clicking - probable causes are:
  - A microscopic piece of dirt momentarily caught between ball seat and check valve ball.
  - In rare cases, ball itself may be out of round or have a flat spot.
  - Improper adjustment.

In most cases, where noise exists in one or more lifters, all lifter units should be removed, disassembled, cleaned in solvent, reassembled and reinstalled in engine. If dirt, corrosion, carbon, etc., exists in one unit, it probably exists in all units. It would only be a matter of time before all lifters caused trouble.



## Removal

1. Remove as previously outlined:
  - a. Rocker arm covers.
  - b. Push rod cover.

**IMPORTANT: Keep valve push rod and hydraulic lifter from each valve together as a matched set and mark or store them so they can be reinstalled in the same location later.**

- c. Rocker arm assemblies and push rods.
2. Make matching marks on all lifters as to location and orientation in bores, to allow reassembly in exact position on camshaft lobes (so that the roller's bearing and roller will roll in the same direction on the same lobe, if reused). Remove valve lifters.

## Cleaning and Inspection

1. Thoroughly clean all parts in cleaning solvent and inspect them carefully.
2. If any parts are damaged or worn, entire lifter assembly should be replaced.
3. If outer lifter body wall is scuffed or worn, inspect cylinder block lifter bore.
4. If push rod seat is scuffed or worn, inspect push rod.

## Installation

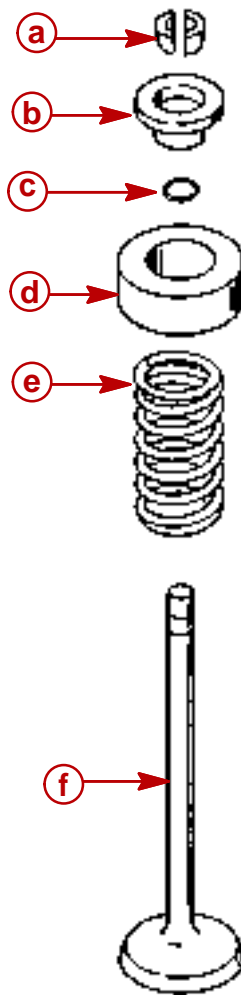
**IMPORTANT: It is recommended that the engine oil be changed and a new oil filter be installed whenever servicing valve lifters or camshaft**

**IMPORTANT: Before installing lifters, coat the lifter with engine oil. If new lifters or a new camshaft have been installed, an additive containing EP lube (such as General Motors Cam and Lifter Prelube or equivalent) should be poured over camshaft lobes before installing lifters.**

**IMPORTANT: DO NOT install used valve lifters if a new camshaft has been installed.**

1. Install valve lifters into bores.
2. Install push rod cover, using new gaskets and torque to specification.
3. Install distributor, positioning rotor to number 1 cylinder position, then connect primary lead at coil.
4. Install distributor cap and spark plug wires.
5. Adjust valves to specifications.
6. Install rocker arm cover, torque to 40 lb-in. (4.5 Nm).
7. Adjust ignition timing, carburetor idle speed and mixture.

# Valve Stem Oil Seal/Valve Spring

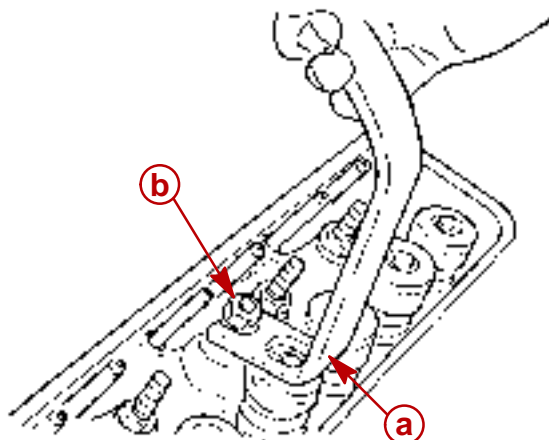


- a** - Keys (2 per Valve)
- b** - Cap
- c** - Seal
- d** - Valve Spring Shield
- e** - Valve Spring
- f** - Valve

76248

## Replacing Oil Seal (Head Installed)

1. Remove rocker arm cover.
2. Remove spark plug, rocker arm and push rod on cylinder to be serviced.
3. Place piston for that cylinder at TDC to prevent valves from dropping into the cylinder.
4. Compress valve spring with tool (J-5892) and remove valve keys, valve spring cap, spring shield and valve spring.



72881

- a** - Valve Spring Compressor (J-5892)  
**b** - Rocker Arm Nut

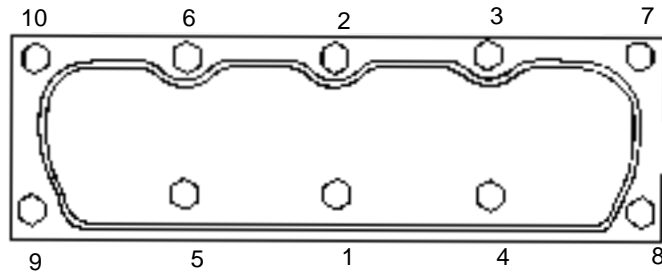
5. Remove valve stem oil seal.
6. To install, set valve spring, (close, coiled end of spring is installed against cylinder head) valve shield and valve cap in place. Compress spring with tool (J-5892) and install oil seal in lower groove of stem, making sure that seal is flat and not twisted.

**NOTE:** A light coat of oil on seal will help prevent twisting when compressor tool is released.

**IMPORTANT:** Do not turn crankshaft while valve springs, retainers, and locks are removed or valves will fall into cylinder.

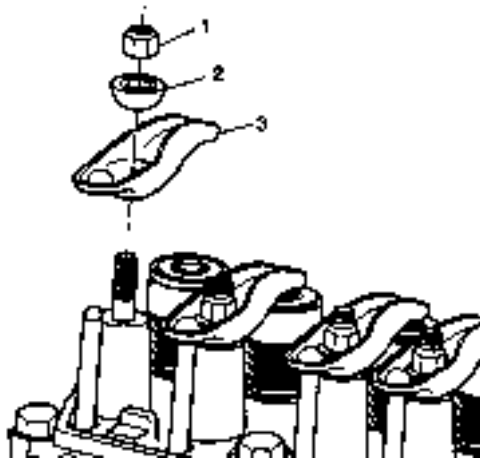
7. Install valve keys and release compressor tool. Be sure that keys seat properly in upper groove of valve stem.
8. Install and adjust valve mechanism.
9. Install push rods and rocker arm assemblies.
10. Torque rocker arm nuts as described in "Specifications."
11. Install rocker arm cover and torque to 40 lb-in. (4.5 Nm).
12. Install spark plug and torque to 22 lb-ft (30 Nm).
13. Repeat steps 2 through 8 for other cylinders.

# Cylinder Head



## Cylinder Head Torque Sequence

1. Drain engine cooling system.
2. Remove as outlined:
  - a. Exhaust manifolds.
  - b. Intake manifold.
  - c. Rocker arm cover.
  - d. Pushrod cover.
  - e. Rocker arm assemblies and push rods (keep in order for reassembly in their original locations).



76232

- f. Any components attached to front or rear of cylinder head.
- g. Spark plugs.
- h. Head bolts.

### **CAUTION**

The head gasket may be holding cylinder head to block. Use care when prying off cylinder heads. DO NOT damage gasket surfaces. DO NOT drop cylinder heads.

3. Place cylinder head on wooden blocks to prevent damage to gasket surfaces.

## Cleaning and Inspection

1. Clean gasket material and sealer from engine block and cylinder heads.
2. Inspect sealing surfaces for deep nicks and scratches.
3. Inspect for corrosion around cooling passages.
4. Clean head bolt threads and engine block bolt hole threads, making sure no dirt, old oil or coolant remains.

## Installation

### CAUTION

**When using ribbed stainless steel head gaskets, apply a thin coating of Quicksilver Perfect Seal to both sides of gasket. Too much sealer may hold gasket away from head or block causing leakage. DO NOT use sealer on graphite composition head gaskets.**

1. Place head gasket in position over dowel pins.
2. Carefully set cylinder head in place over dowel pins.
3. Coat threads of head bolts with Quicksilver Perfect Seal and install finger-tight.
4. Torque head bolts to 90 lb-ft (122 Nm).
5. Install push rods, rocker arm assemblies and lifter restrictors in their original positions.
6. Torque rocker arm nuts to 20 lb-ft (27 Nm).
7. Install as outlined:
  - a. Intake/exhaust manifold.
  - b. Rocker arm cover.
  - c. Spark plugs.
  - d. Any components removed from front or rear of cylinder heads.
8. Follow procedures in SECTION 6A or 6B of this manual:

**Seawater Cooled Models:** Provide for adequate water supply to seawater pickup (see SECTION 6A).

**Closed Cooled Models:** Refill closed cooling section (see SECTION 6B) and provide adequate water supply to seawater pickup.

### CAUTION

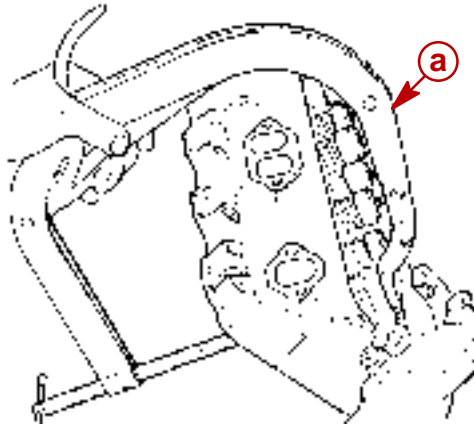
**Ensure that cooling water supply is available before starting the engine.**

9. Start engine, set timing, set idle speed and check for leaks.

# Cylinder Head and Valve Conditioning

## Disassembly

1. Using valve spring compressor, compress valve spring (J-8062) and remove valve locks. Slowly release tool.
2. Remove all valve components.
3. Remove valves from cylinder head and place in a rack, in order, for reassembly in their original locations.

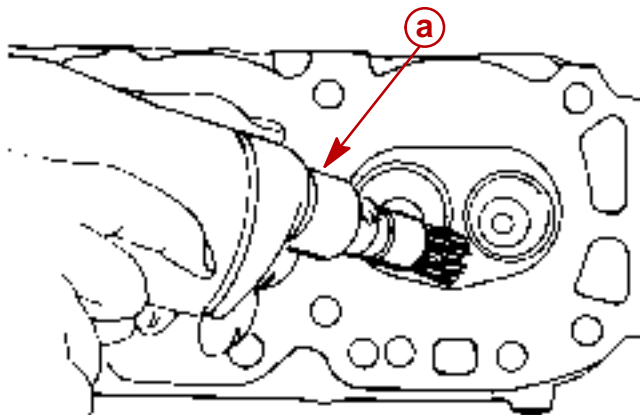


72333

**a** - Valve Spring Compressor (J-8062)

## Cleaning

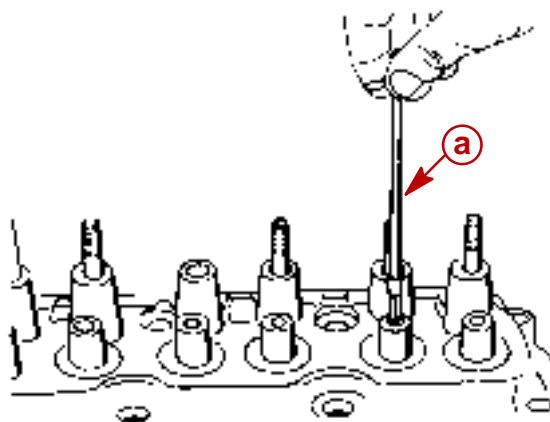
1. Clean push rods and rocker arm assemblies.
2. Clean carbon from valves using tool (J-80890).
3. Clean gasket material from cylinder head mating surfaces.
4. Clean all carbon from combustion chambers and valve ports using carbon remover brush.



74274

**a** - Carbon Remover Brush (J-8089)

5. Thoroughly clean valve guides with valve guide cleaner (J-8101).

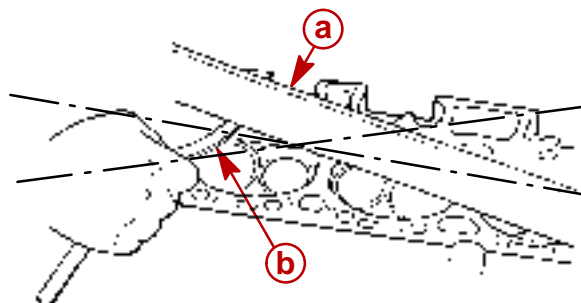


74286

**a** - Valve Guide Cleaner (J-8101)

## Inspection

1. Inspect cylinder head for cracks in exhaust ports, water jackets and combustion chambers (especially around spark plug holes and valve seats). Replace heads if any cracks are found.
2. Inspect cylinder head gasket surface for burrs, nicks, erosion or other damage. Check flatness of cylinder head gasket surface, using a machinist's straight edge and feeler gauges as shown. Take measurements diagonally across head (both ways) and straight down center head. Refer to "Specifications."



72885

**a** - Straight Edge

**b** - Feeler Gauge

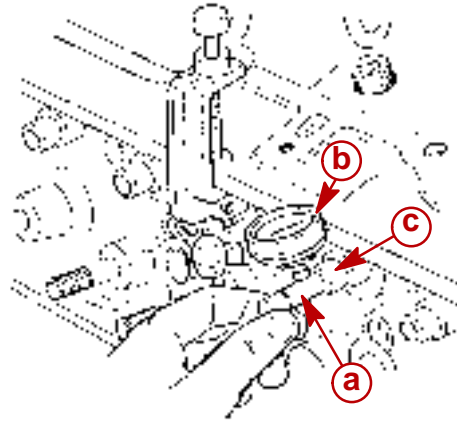
**IMPORTANT: Cylinder head-to-block gasket surface should be resurfaced if warped more than specified. When head resurfacing is required, cylinder head-to-intake manifold gasket surface on head must be milled to provide proper alignment between intake manifold and head.**

3. Inspect valves for burned heads, cracked faces or damaged stems.

**IMPORTANT: Excessive valve stem to bore clearance will cause excessive oil consumption and possible valve breakage. Insufficient clearance will result in noisy and sticky valves.**

4. Measure valve stem clearance as follows:
  - a. Attach a dial indicator to cylinder head, positioning it against the valve stem and close to the valve guide.
  - b. Holding valve head off seat about 1/16 in. (2 mm), move valve stem back and forth in direction shown. Compare stem clearance with specifications.

- c. If clearance exceeds specifications, it will be necessary to ream valve guides for oversized valves, as outlined under "Valve Guide Bore Repair."



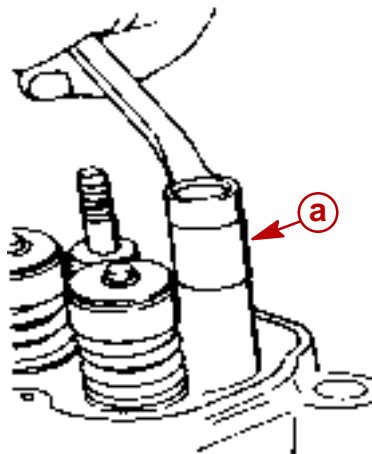
72336

- a** - Valve Stem  
**b** - Dial Indicator  
**c** - Valve Guide

## Rocker Arm Studs

Rocker arm studs with damaged threads or with loose fit in cylinder heads should be replaced with new, oversize studs. Studs may be installed after reaming holes as follows:

1. Drain water from cylinder block.
2. Remove old stud by placing Tool J-5802-1 over stud, installing nut and flat washer and turning the nut to remove stud.

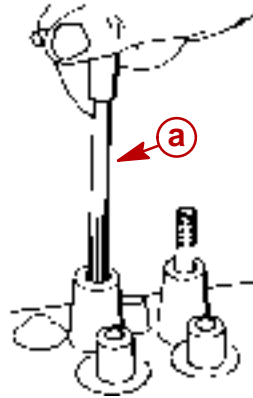


74288

- a** - Tool J-5802-01



3. Ream hole for oversize stud with Tool J-5715 for .003 in. oversize or Tool J-6036 for .013 in. oversize.



74289

**a** - Reamer Tool J-5715

**IMPORTANT: Do not attempt to install an oversize stud without reaming stud hole.**

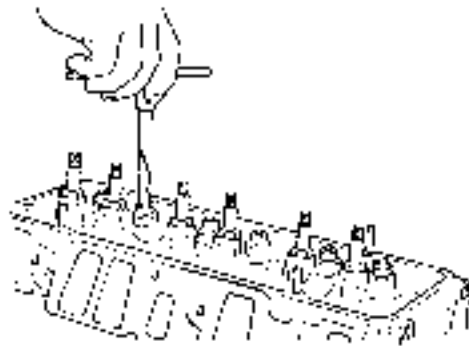
4. Coat press-fit area of stud with Perfect Seal. Install new stud, using Tool J-6880 as a guide. Gauge should contact head.

## Valve Guide Bore Repair

**IMPORTANT: Be sure to measure valve stem diameter of both the intake and exhaust valve, as valve stem diameter may or may not be the same for both valves.**

If .015 in. oversize valve stems are required, ream valve guide bores for oversize valves, as follows:

1. Measure valve stem diameter of old valve being replaced and select proper size valve guide reamer from chart below.
2. Ream valve guide bores, as shown.



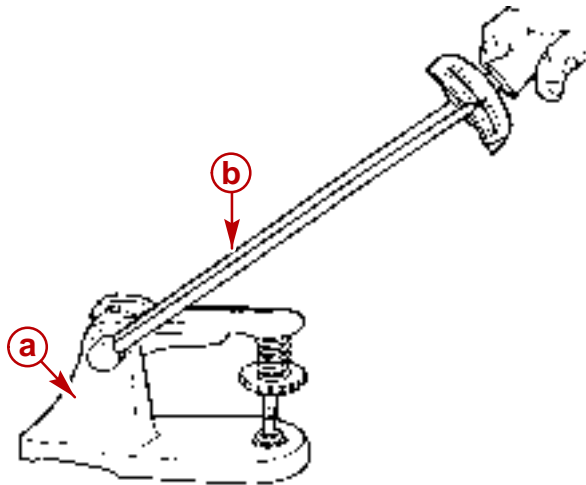
72886

3. Remove the sharp corner created by reamer at top of valve guide.

## Valve Springs - Checking Tension

Using valve spring tester, as shown, check valve spring tension with dampers removed. Refer to "Specifications."

**IMPORTANT: Springs should be replaced if not within 10 lbs. (44 N) of specified tension.**



72308

- a** - Valve Spring Tester (J-8056)
- b** - Torque Wrench

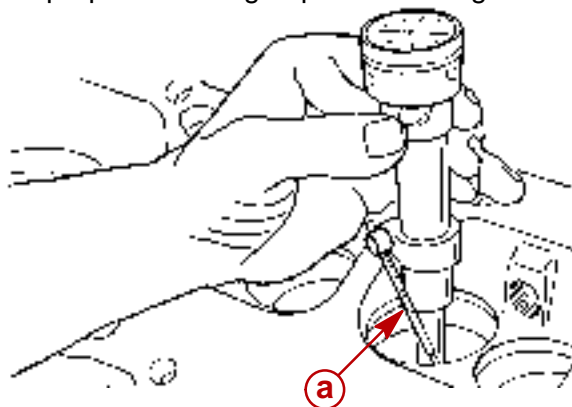
## Valve Seats

Valve seat reconditioning is very important, since seating of valves must be perfect for engine to deliver maximum power and performance.

Another important factor is valve head cooling. Good contact between each valve and its seat in head is important to ensure that heat in valve head will be properly dispersed.

Several different types of equipment are available for reseating valve seats. Equipment manufacturer's recommendations should be followed carefully to attain proper results.

Regardless of type of equipment, however, it is essential that valve guide bores be free from carbon or dirt to achieve proper centering of pilot in valve guide and ensure concentricity.

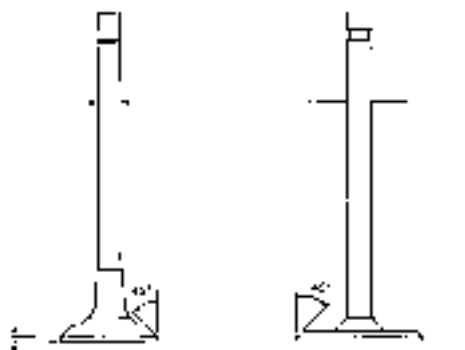


72338

- a** - Check Valve Seat Concentricity

Valves that are pitted must be refaced to the proper angle. Valve stems which show excessive wear or valves that are warped excessively must be replaced. When a valve head that is warped excessively is refaced, a knife edge will be ground on part or all of the valve head due to the amount of metal that must be removed to completely reface. Knife edges lead to breakage, burning or pre-ignition due to heat localizing on this knife edge. If the edge of the valve head (margin) is less than 1/32 in. (0.8 mm) after grinding, replace the valve.

Several different types of equipment are available for refacing valves. The recommendation of the manufacturer of the equipment being used should be carefully followed to attain proper results.

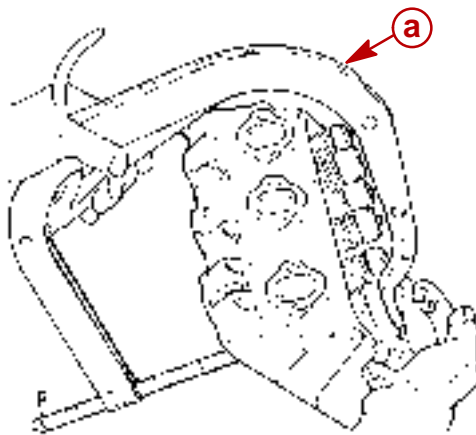
**Exhaust****Intake**

50695

- a** - .372 In. (9.45 mm)
- b** - 1/32 [.031] In. (0.79 mm) Min.
- c** - .341 In. (8.16 mm)
- d** - 1/32 [.031] In. (0.79 mm) Min.

## Reassembly

1. Lubricate valve guides and valve stems with engine oil.
2. Install each valve in the port from which it was removed or to which it was fitted.
3. Install valve guide seal (intake valve only) over valve stem and push down until seated against head.
4. Set valve spring (with damper installed) and cap in place.
5. Place retainer on intake valve and/or rotator on exhaust valve.
6. While compressing valve spring with valve spring compressor, install oil seal in lower groove of valve stem, making sure seal is not twisted. A light coating of oil will help prevent twisting.

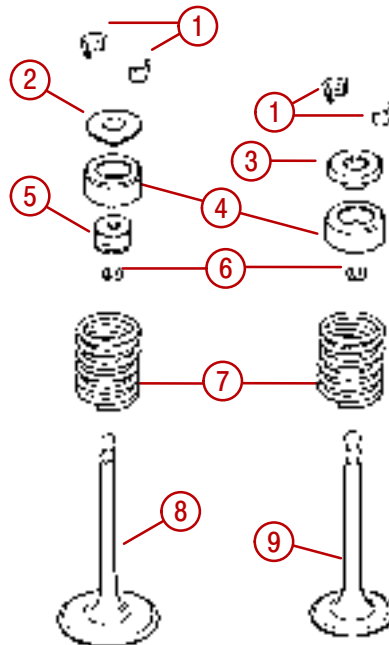


72884

### V6 Shown

- a** - Valve Spring Compressor (J-8062)

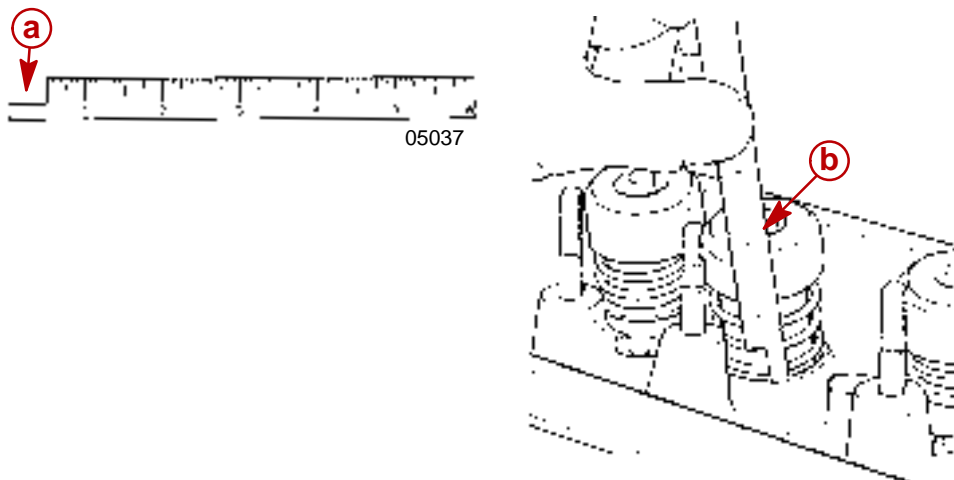
7. Install valve locks (grease may be used to hold them in place) and slowly release tool, making sure locks seat properly in upper grooves of valve stem.



76249

- 1 - Valve Locks
- 2 - Retainer
- 3 - Rotator
- 4 - Cap
- 5 - Valve Guide Oil Seal
- 6 - Valve Stem Oil Seal
- 7 - Outer Spring
- 8 - Intake Valve
- 9 - Exhaust Valve

- Check installed height of valve springs using a narrow, thin scale. Measure from spring seat to top of valve spring, as shown. If measurement exceeds specified height, install a valve spring shim and recheck. DO NOT shim valve springs to give an installed height less than the minimum specified.



72339

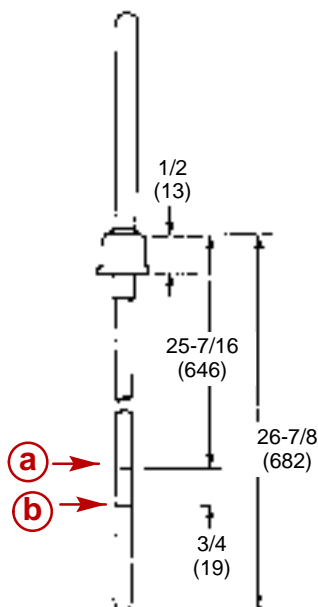
**Checking Valve Spring Installed Height**

- a** - Cut Out This Portion
- b** - Valve Spring Installed Height

## Dipstick Specifications

All Engines

<b>NOTICE</b>
<b>Unit Of Measurement: U.S. inches (millimeters)</b>

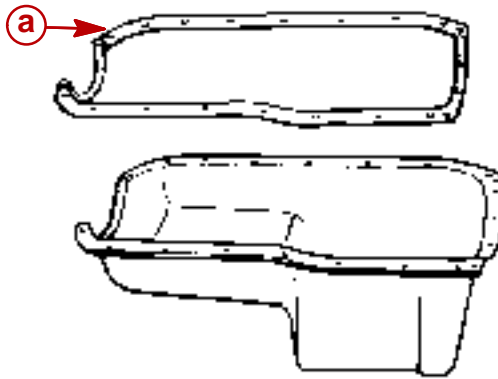


72887

**41092-1 MCM**

- a** - Full
- b** - Add

# Oil Pan



**a** - Oil Pan Gasket

## Removal

1. Disconnect battery.
- NOTE:** Removal of engine from boat may be required.
2. Drain crankcase oil.
  3. Remove starter motor.
  4. Remove oil pan screws, oil pan and gasket(s).

## Installation

1. Clean sealing surfaces of engine block and oil pan.
2. Apply a small amount of Quicksilver RTV Sealer to joints of rear seal retainer and joints of front cover.

**IMPORTANT: Quicksilver RTV Sealer sets up in about 15 minutes. Be sure to complete assembly promptly.**

3. Install oil pan gasket in position as shown.

**NOTE:** A one-piece oil pan gasket may be reused if it is still pliable and is not cracked, torn or otherwise damaged.

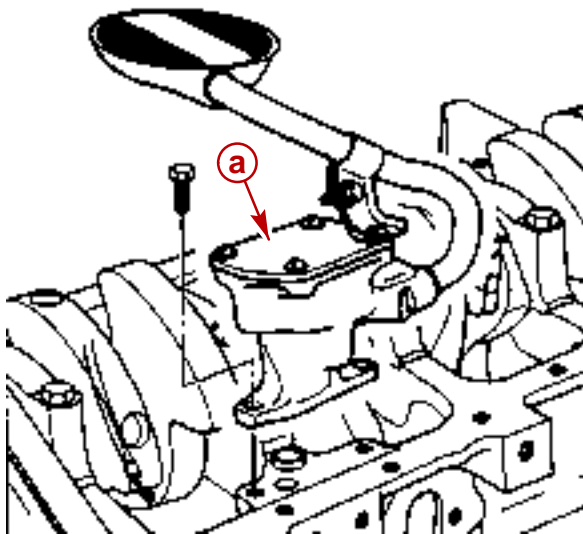
4. Install oil pan. Starting from the center and working outward in each direction, tighten 1/4-20 threaded fasteners to 80 lb-in. (9 Nm) and 5/16-18 threaded fasteners to 165 lb-in. (19 Nm).
5. Install dipstick tube and dipstick.
6. Fill crankcase with required quantity of oil of specified viscosity. See SECTION 1B "Maintenance."

# Oil Pump

The oil pump consists of two gears and a pressure regulator valve enclosed in a two-piece housing. Oil pump is driven by distributor shaft which is driven by a helical gear on camshaft.

## Removal

1. Remove oil pan as previously outlined.
2. Remove gasket carefully as the one-piece gasket for the oil pan may be reused if still pliable and not cracked, torn, etc.
3. Remove oil pump.



**a** - Oil Pump

76234

## Disassembly

1. Remove pump cover.

**IMPORTANT: Mark gear teeth for reassembly with same teeth indexing.**

2. Remove idler gear and drive gear from pump body.
3. Remove retaining pin, spring, and pressure regulator valve from pump cover.

**IMPORTANT: Do not remove pickup screen and pipe assembly, unless replacement is necessary. Loss of press fit condition could result in an air leak and loss of oil pressure.**

**IMPORTANT: Do not disturb pickup screen on pipe. This is serviced as an assembly.**

4. If pickup screen and pipe assembly requires replacement, mount pump in a soft-jawed vise and extract pipe from pump.

## Cleaning and Inspection

1. Wash all parts in cleaning solvent and dry with compressed air.
2. Inspect pump body and cover for cracks or excessive wear.
3. Inspect pump gears for damage and excessive wear.
4. Check for loose drive gear shaft in pump body.
5. Inspect inside of pump cover for wear that would permit oil to leak past ends of gears.

**IMPORTANT: Pump gears and body are not serviced separately. If pump gears or body are damaged or worn, replacement of entire oil pump assembly is necessary.**

6. Inspect pickup screen and pipe assembly for damage to screen and pipe.
7. Check pressure regulator valve for fit.

## Reassembly

### CAUTION

**Be careful of twisting, shearing or collapsing pipe while installing in pump. Pickup screen must be parallel to oil pan bottom when oil pump is installed.**

If pickup screen and pipe assembly was removed, mount pump in a soft-jawed vise, apply Quicksilver Perfect Seal to end of new pipe and, using oil pump suction pipe installer (J-21882), tap the pipe in place with a hammer.

**IMPORTANT: Oil internal parts liberally before installation.**

1. Install pressure regulator valve and related parts.
2. Install drive gear in pump body.
3. Install idler gear in pump body with smooth side of gear toward pump cover opening. Align marks made in disassembly.
4. Fill gear cavity with engine oil.
5. Install pump cover and torque attaching bolts to 80 lb-in. (9 Nm).

## Installation

1. Install pump to rear main bearing.
2. Torque oil pump bolt to 65 lb-ft (88 Nm).
3. Install oil pan as outlined. The one-piece gasket for the oil pan may be reused if still pliable and not cracked, torn, etc.



# Torsional Damper

## Removal

1. Support front of engine (if in boat) with overhead hoist.
2. Remove front mounting bracket and drive belt. Remove retaining bolt, if equipped.
3. Install tool J-6978-E to balancer and turn puller. Remove drive pulley, then remove torsional damper retaining bolt.

**IMPORTANT: DO NOT use a universal claw type puller to remove torsional damper (in next step) as outside ring of torsional damper is bonded in rubber to the hub and use of claw type puller may break the bond.**

4. Remove torsional damper with torsional damper remover and installer.



72890

**a** - Torsional Damper Remover and Installer (J-6978-E)

## Installation

**IMPORTANT: The inertia weight section of torsional damper is assembled to the hub with a rubber type material. The installation procedure (with proper tool) must be followed or movement of the inertia weight on the hub will destroy the tuning of the torsional damper.**

1. Replace key in crankshaft if it is damaged.
2. Coat seal surface of torsional damper with engine oil.

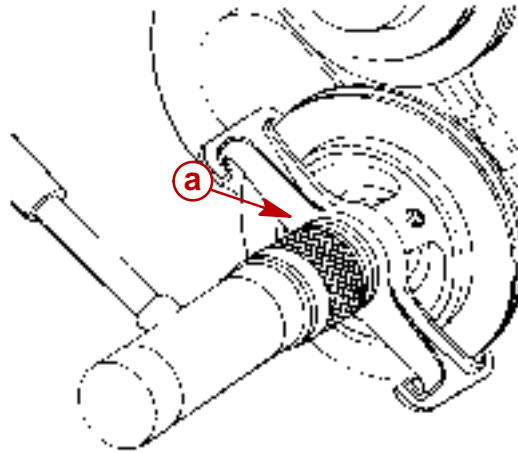
**NOTE:** If a suitable torsional damper installer installation tool is not available, use a block of wood as a driver. Be very careful not to cause pulley or weight to shift on their rubber mounts.

3. Install torsional damper on crankshaft, using torsional damper remover and installer as follows:
  - a. Install appropriate end of threaded rod into crankshaft.

**IMPORTANT: Be sure to install threaded rod in crankshaft at least 1/2 in. (13 mm) to prevent damage to threads.**

- b. Install plate, thrust bearing, washer and nut on rod.

- c. Install torsional damper on crankshaft by turning nut until it contacts.



74529

- a** - Torsional Damper Remover and Installer (J-23523-E)
- d. Remove tool from crankshaft.
  - e. To prevent oil leakage, apply Quicksilver RTV sealant to torsional damper keyway.
  - f. Install torsional damper bolt. Torque to 70 lb-ft (95 Nm).
4. Install drive pulley(s). Torque bolts to 35 lb-ft (48 Nm).
  5. Install and adjust drive belts.

# Crankcase Oil Seal

## Replacing Oil Seal Without Removing Front Cover

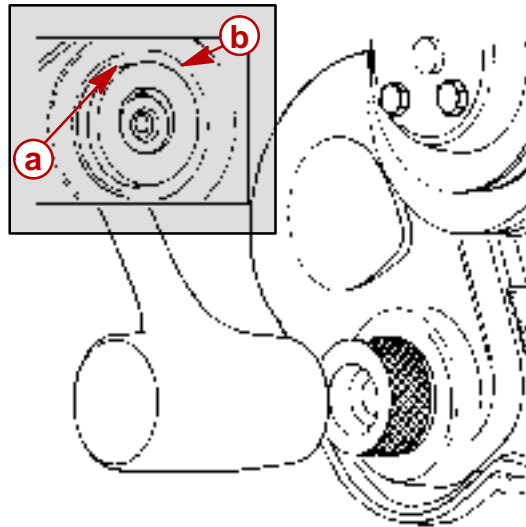
### REMOVAL

1. Remove torsional damper.
2. Pry seal out of cover from the front with a large screwdriver. Be careful not to distort front cover or damage crankshaft.

### INSTALLATION

**IMPORTANT: Correct rotation oil seal must be used to prevent oil leak.**

1. Apply Quicksilver Perfect Seal to seal retainer mating surface and apply grease to seal lips.
2. Install new seal with open end of seal inward, using crankcase front cover seal installer. Drive seal in until it contacts. Do not use excessive force.



- a** - Key In Crankshaft  
**b** - Lobe of Bore Clears Key

3. Reinstall torsional damper as outlined.

74531

# Crankcase Front Cover

## Removal

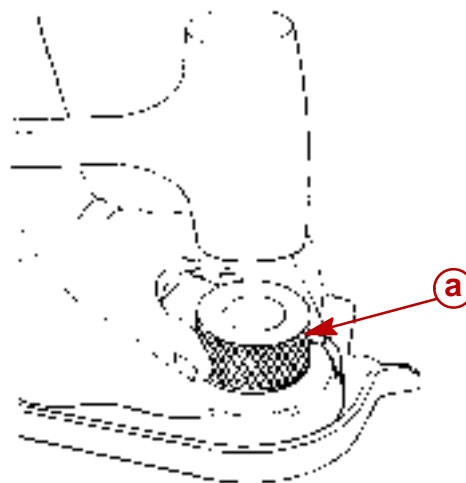
1. Remove engine from boat if necessary to gain access to cover.
2. Remove torsional damper and oil pan.
3. Remove water circulating pump.
4. Remove crankcase front cover.
5. If damaged, drive oil seal out of front cover (from the rear) using a punch.

## Cleaning and Inspection

Clean front cover in solvent and dry with compressed air. Clean old gasket material and sealer from mating surfaces on cover and cylinder block. Check gasket surface on front cover for distortion, and fix if necessary. Surfaces must be clean and flat or oil leakage may result.

## Installation

1. Install oil seal in cover with lip of seal toward inside of engine, using crankcase front cover seal installer. Support cover around seal area with appropriate tool as shown.



74530

**a** - Crankcase Front Cover Seal Installer (J-35468)

2. Coat both sides of front cover gasket with Quicksilver Perfect Seal and place in position on engine.
3. Install front cover. Ensure holes in cover align with dowel pins in block. Torque front cover attaching screws to 100 lb-in. (11 Nm).
4. Install oil pan and torsional damper as outlined.
5. Install water circulating pump.
6. Reinstall engine in boat.
7. Fill crankcase with engine oil.

### **CAUTION**

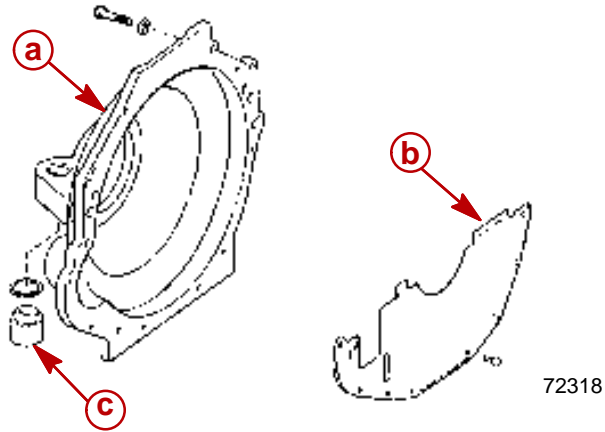
**Ensure that cooling water supply is available before starting the engine.**

8. Start engine and check for water and oil leaks.

# Flywheel and Engine Coupler

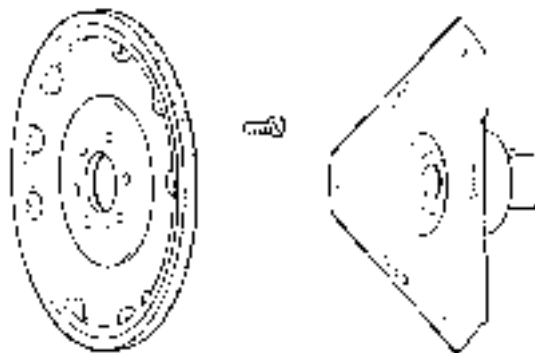
## Removal

1. Remove engine from boat. Refer to SECTION 2 "Removal and Installation."
2. Refer to "Flywheel Housing" description in this section and remove flywheel housing and related parts.



- a** - Flywheel Housing
- b** - Cover
- c** - Press Mount Out with Press

3. Remove MCM coupler.
4. Remove flywheel.



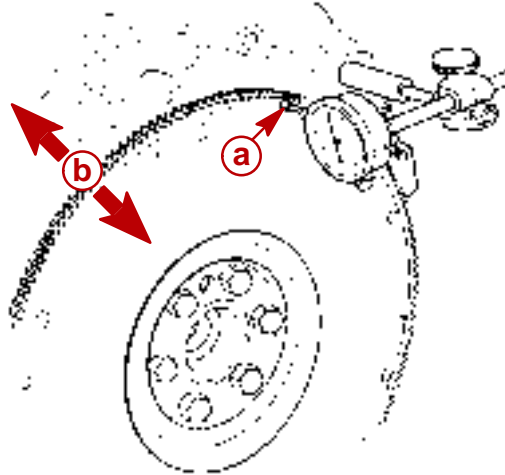
### Alpha One Coupler

## Inspection

1. Inspect splines in coupler for wear.
2. Check flywheel ring gear for worn and missing teeth.

## Installation

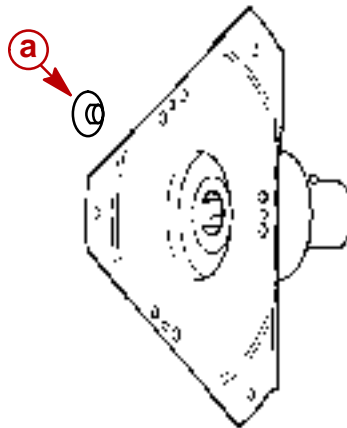
1. Clean mating surfaces of flywheel and crankshaft. Remove any burrs. Mating surfaces must be clean bare metal.
2. Align dowel hole in flywheel with dowel in crankshaft.
3. Install flywheel.
4. Torque bolts to 75lb-ft (100Nm).
5. Check flywheel runout as follows:
  - a. Attach a dial indicator to engine block.
  - b. Take readings around outer edge of flywheel. Push in on flywheel to remove crankshaft end play. Maximum runout - .008 in. (0.203 mm).



72353

- a** - .008 in. (0.203 mm) Maximum Runout  
**b** - Push Flywheel And Crankshaft Forward As Far As It Will Go When Taking Reading

6. Insert three rubber bumpers in Alpha coupler before installation on flywheel.



72354

- a** - Rubber Bumper

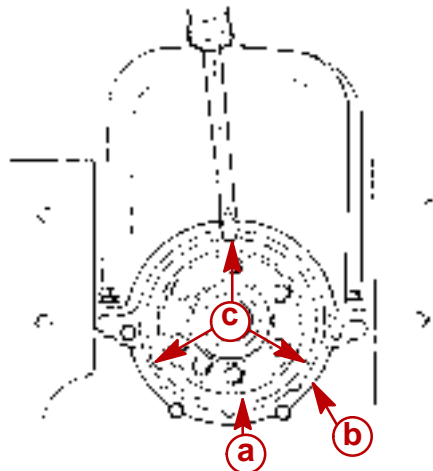
7. Install drive coupler. If reusing screws, use Loctite 27131.
8. Torque bolts to 35 lb-ft (48 Nm).
9. Install flywheel housing and related parts. Torque bolts to 30 lb-ft (41 Nm).
10. Install flywheel housing cover. Torque bolts to 80 lb-in. (9 Nm).
11. Refer to SECTION 2 "Removal and Installation" and install engine.

## Rear Main Oil Seal

The rear crankshaft oil seal can be replaced without removing the oil pan or rear main bearing cap from engine.

### Removal

1. Remove seal by using a screwdriver to pry it out of retainer as shown.



72355

- a - Rear Seal
- b - Seal Retainer
- c - Slots (Three)

### Cleaning and Inspection

1. Clean crankshaft/seal running surface and seal retainer.
2. Clean gasket material from mating surfaces.
3. Inspect oil seal retainer for cracks or scored surface.
4. Inspect oil seal for worn, dry or torn rubber. Replace if necessary (refer to "Rear Main Oil Seal" as outlined).
5. Inspect alignment pin for damage; replace if necessary.

**IMPORTANT: Correct rotation oil seal must be used to prevent oil leak.**

### Installation

1. Apply Quicksilver Perfect Seal to seal retainer mating surface. Apply grease to seal lips.
2. Install seal using rear main seal installer.



72356

- a - Rear Main Seal Installer (J-26817-A)

3. Coat seal lips with clean motor oil.
4. Install gasket and oil seal retainer with rear main seal.
5. Coat threads of oil seal retainer fasteners with Loctite Pipe Sealant with Teflon.
6. Install oil seal retainer fasteners and torque to 133 lb-in. (15 Nm).
7. Install oil pan fasteners. Torque 1/4-20 threaded fasteners to 80 lb-in. (9 Nm) and 5/16-18 threaded fasteners to 165 lb-in. (19 Nm).

**NOTE:** The oil pan gasket may be re-used if it is still pliable and is not cracked, torn or otherwise damaged.

## Main Bearings

**IMPORTANT:** Before removing main bearing caps or connecting rod caps, mark them for reassembly in their original locations.

Main bearings are the precision insert type and do not use shims for adjustment. If clearances are found to be excessive, a new bearing, both upper and lower halves, will be required. Service bearings are available in standard size and .001 in., .010 in. and .020 in. undersize.

Selective fitting of both rod and main bearing inserts is necessary in production in order to obtain close tolerances. For this reason you may find one-half of a standard insert with one-half of a .001 in. undersize insert which will decrease the clearance .0005 in. from using a full standard bearing.

When a production crankshaft cannot be precision fitted by this method, it then is ground .009 in. undersize on main journals only. A .009 in. undersize bearing and .010 in. undersize bearing may be used for precision fitting in same manner as previously described. Any engine fitted with a .009 in. undersize crankshaft will be identified by the following markings:

- “.009” will be stamped on crankshaft counterweight forward of center main journal.
- No. “9” will be stamped on block at left front oil pan rail.

**IMPORTANT:** If crankshaft has an undersize journal and a new bearing is required, journal must be reconditioned to accept a .010 or .020 in. undersize bearing as .009 in. undersize bearings are not available for service.

## Inspection

In general, the lower half of the bearing (except No. 1 bearing) shows greater wear and more distress from fatigue. If, upon inspection, the lower half is suitable for use, it can be assumed that the upper half is also satisfactory. If the lower half shows evidence of wear or damage, both upper and lower halves should be replaced. Never replace one half without replacing the other half.

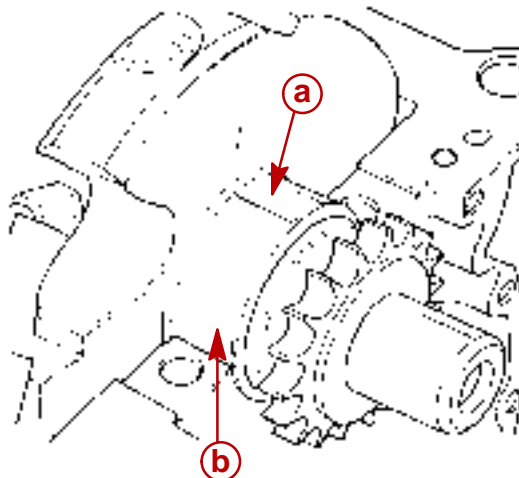


## Checking Clearances

To obtain accurate measurements while using Plastigage, or its equivalent, engine must be out of the boat and upside down so crankshaft will rest on the upper bearings and total clearance can be measured between lower bearing and journal.

To ensure the proper seating of the crankshaft, all bearing cap bolts should be at their specified torque. In addition, prior to checking fit of bearings, the surface of the crankshaft journal and bearing should be wiped clean of oil.

1. With the oil pan and oil pump removed, remove bearing cap and wipe oil from journal and bearing cap to be inspected.
2. Place a piece of gauging plastic the full width of the bearing (parallel to the crankshaft) on the journal as shown.



72558

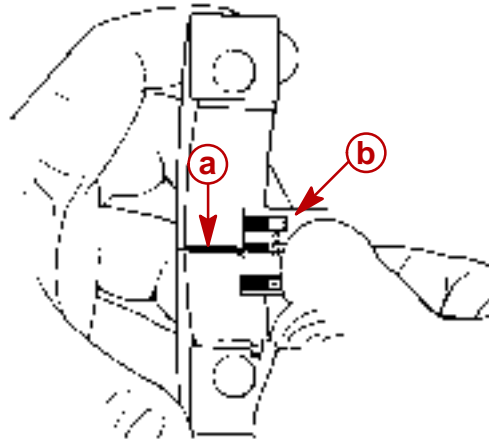
- a** - Gauging Plastic  
**b** - Journal

3. Install the bearing cap and evenly torque the retaining bolts to specifications. Bearing cap **MUST** be torqued to specification in order to ensure proper reading. Variations in torque affect the compression of the plastic gauge.

**IMPORTANT: Do not rotate the crankshaft while the gauging plastic is between the bearing and journal.**

4. Remove bearing cap. The flattened gauging plastic will be found adhering to either the bearing cap or journal.

5. On the edge of the gauging plastic envelope there is a graduated scale which is correlated in thousandths of an inch. Without removing the gauging plastic, measure its compressed width (at the widest point) with the graduations on the gauging plastic envelope as shown.



72358

- a** - Compressed Gauging Plastic
- b** - Graduated Scale

**NOTE:** Normally main bearing journals wear evenly and are not out of round. However, if a bearing is being fitted to an out-of-round journal (.001 in. max.), be sure to fit to the maximum diameter of the journal. If the bearing is fitted to the minimum diameter and the journal is out of round .001 in., interference between the bearing and journal will result in rapid bearing failure. If the flattened gauging plastic tapers toward the middle or ends, there is a difference in clearance indicating taper, low spot or other irregularity of the bearing or journal. Be sure to measure the journal with a micrometer if the flattened gauging plastic indicates more than .001 in. difference.

6. If the bearing clearance is within specifications, the bearing insert is satisfactory. If the clearance is not within specifications, replace the insert. Always replace both upper and lower inserts as a unit.
7. A standard, or .001 in., undersize bearing may produce the proper clearance. If not, it will be necessary to regrind the crankshaft journal for use with the next undersize bearing.
8. After selecting new bearing, recheck clearance.
9. Proceed to the next bearing. After all bearings have been checked, rotate the crankshaft to see that there is no excessive drag. When checking No. 1 main bearing, loosen accessory drive belts so as to prevent tapered reading with plastic gauge.

## Main Bearing Replacement

1. Remove and inspect crankshaft.
2. Remove main bearings from cylinder block and main bearing caps.
3. Coat bearing surfaces of new, correct-size, main bearing with oil and install in cylinder block and main bearing caps. Check clearance.
4. Install crankshaft.
5. Torque all main bearing caps, EXCEPT THE REAR MAIN CAP, to 75 lb-ft (102 Nm).
6. Torque rear main bearing cap to 10-12 lb-ft (14-16 Nm); then tap end of crankshaft, first rearward then forward with a lead hammer. This will line up rear main bearing and crankshaft thrust surfaces. Torque rear main bearing cap to 75 lb-ft (102 Nm).

## Connecting Rod Bearings

Connecting rod bearings are of the precision insert type and do not use shims for adjustment. **DO NOT FILE RODS OR ROD CAPS.** If clearances are found to be excessive, a new bearing will be required. Service bearings are available in standard size and .001 in. and .002 in. undersize for use with new and used standard size crankshafts, and in .010 in. and .020 in. undersize for use with reconditioned crankshafts.

On removing a connecting rod cap, it is possible to find a .010 in. undersize bearing. These are used in manufacturing for selective fitting.

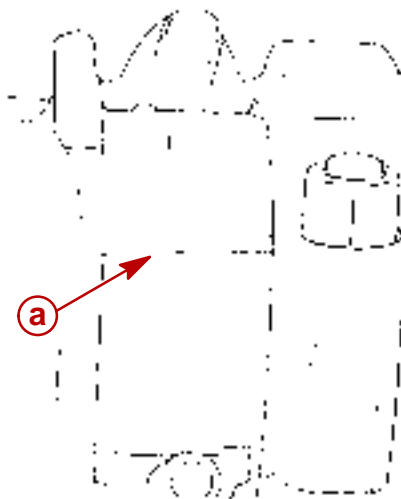
## Inspection and Replacement

**IMPORTANT: Before you remove the connecting rod cap, mark the side of the rod and cap with the cylinder number to assure matched reassembly of rod and cap.**

1. Remove connecting rod cap and bearing.
2. Inspect bearing for evidence of wear or damage. Defective bearings should not be installed. Typical bearing failures are shown under "General."
3. Wipe bearings and crankshaft clean of oil.
4. Measure crankpin for out-of-round of taper with a micrometer. If not within specifications, replace or recondition crankshaft. If within specifications and new bearing is to be installed, measure maximum diameter of crankpin to determine new bearing size required.
5. If within specifications, measure new or used bearing clearances with gauging plastic.

**IMPORTANT: If bearing is fitted to out-of-round crankpin, be sure to fit maximum diameter of crankpin. If bearing is fitted to minimum diameter, and crankpin is out-of-round .001 (0.02 mm), interference between bearing and crankpin will result in rapid bearing failure.**

- a. Place a piece of gauging plastic the full width of crankpin (parallel to crankshaft).
- b. Install bearing connecting rod and cap.
- c. Place a piece of gauging plastic the length of the bearing (parallel to the crankshaft) on the crankpin or bearing surface as shown. Position the gauging plastic in the middle of the bearing shell. Bearings are eccentric and false readings could occur if placed elsewhere.



**a** - Gauging Plastic

- d. Install the bearing in the connecting rod and cap.

72361

- e. Install the bearing cap and torque nuts to 45 lb-ft (61 Nm).

**IMPORTANT: Do not turn the crankshaft with the gauging plastic installed.**

- f. Remove the bearing cap and using the scale on the gauging plastic envelope, measure the gauging plastic width at the widest point as shown.

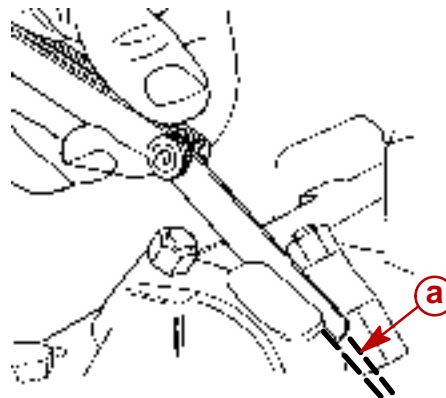


72362

6. If the clearance exceeds specifications, select a new, correct size bearing and measure the clearance.

Be sure to check what size bearing is being removed in order to determine proper replacement size bearing. If clearance cannot be brought to within specifications, the crankpin will have to be ground undersize. If the crankpin is already at maximum undersize, replace crankshaft.

7. Coat the bearing surface with oil, install the rod cap and torque nuts to 45 lb-ft (61 Nm).
8. When all connecting rod bearings have been installed, tap each rod lightly (parallel to the crankpin) to make sure they have clearance.
9. Measure all connecting rod side clearances between connecting rod caps as shown - .006-.014 in. (0.16-0.35 mm).



72891

**a** - Take Measurement Here

# Connecting Rod/Piston Assembly

## Removal

1. With oil pan, oil pump and cylinder head removed, use a ridge reamer to remove any ridge and/or deposits from upper end of cylinder bore.

**IMPORTANT:** Before ridge and/or deposits are removed, turn crankshaft until piston is at bottom of stroke and place a cloth on top of piston to collect cuttings. After ridge and/or deposits are removed, turn crankshaft until piston is at top of stroke, then remove cloth and cuttings.

2. Inspect and mark connecting rods and bearing caps.
3. Remove connecting rod cap and install connecting rod bolt guide (3/8-24) on bolts. Push connecting rod and piston assembly out of top of cylinder block.

**NOTE:** It will be necessary to turn crankshaft slightly to disconnect and remove some connecting rod and piston assemblies.

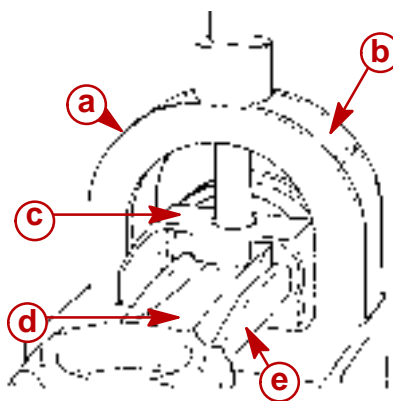


72892

**a** - Connecting Rod Bolt Guide (3/8-24) (J-5239)

## Disassembly

1. Disassemble piston from connecting rod using piston pin remover as shown.



72365

**a** - Piston Pin Remover (J-24086-B)  
**b** - Arched Base  
**c** - Piston  
**d** - Connecting Rod  
**e** - Rod Support

2. Position connecting rod on tool rod support with rod support inserted between connecting rod end and piston. Align piston pin with hole located in top of arched base.
3. Insert pin remover through hole (located in top of arched base) and into piston pin hole. Press on pin remover to remove piston pin.

## Cleaning and Inspection

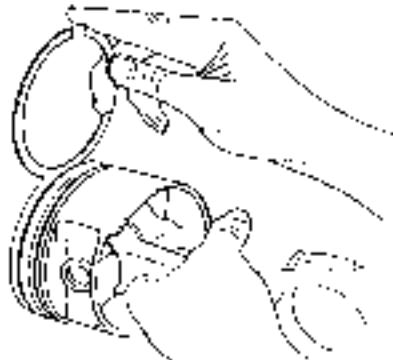
### CONNECTING RODS

1. Wash connecting rods in cleaning solvent and dry with compressed air.
2. Check for twisted and bent rods and inspect for nicks and cracks. Replace damaged connecting rods.

### PISTONS

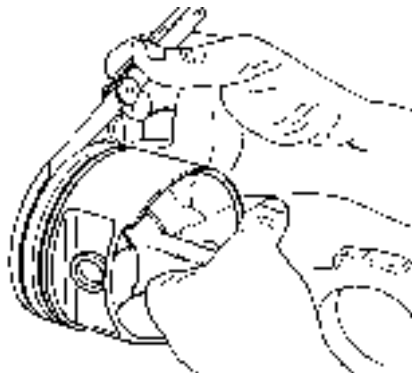
**NOTE:** *Cylinder bore and taper must be within specifications before pistons can be considered for reuse.*

1. Clean varnish from piston skirts with a cleaning solvent. **DO NOT WIRE BRUSH ANY PART OF PISTON.** Clean ring grooves with a groove cleaner and make sure oil ring holes are clean.
2. Inspect piston for cracked ring lands, skirts and pin bosses, wavy worn ring lands, scuffed or damaged skirts and eroded areas at top of piston. Replace pistons that are damaged or show signs of excessive wear.
3. Inspect grooves for nicks and burrs that might cause rings to hang up.
4. Measure piston skirt (across centerline of piston pin) and check clearance as outlined under "Cylinder Block."
5. Slip outer surface of a new top and second compression ring into respective piston ring groove and roll ring entirely around the groove to ensure that ring is free as shown. If binding occurs at any point, determine cause. If caused by ring groove, remove by dressing with a fine cut file. If binding is caused by a distorted ring, recheck with another ring.



72894

6. Proper clearance of piston ring in its piston ring groove is very important to provide proper ring action and reduce wear. When fitting new rings, clearances between ring and groove surfaces should be measured. See "Specifications."



72895

## PISTON PINS

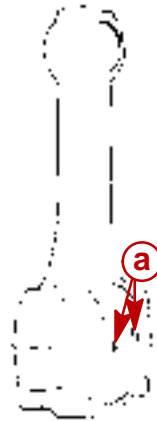
1. Piston pin clearance is designed to maintain adequate clearance under all engine operating conditions. Because of this, piston and piston pin are a matched set and not serviced separately.
2. Inspect piston pin bores and piston pins for wear. Piston pin bores and piston pins must be free of varnish and scuffing when measured. Measure piston pin with a micrometer and piston pin bore with a dial bore gauge or inside micrometer. If clearance is in excess of the .001 in. (0.02 mm) wear limit, replace piston and piston pin assembly.

## Reassembly

### PISTONS AND PISTON PINS

**IMPORTANT:** When reassembling pistons and connecting rods, the following must be kept in mind.

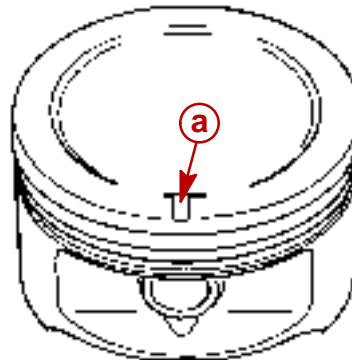
- Piston and pin are machine fitted to each other and must remain together as a matched set. Do not intermix pistons and pins.
- If original pistons and/or connecting rods are being used, be sure to assemble pistons and connecting rods so they can be reinstalled in same cylinder from which they were removed.
- Connecting rod bearing tangs are always toward outside of cylinder block.



72368

**a** - Rod Bearing Tangs

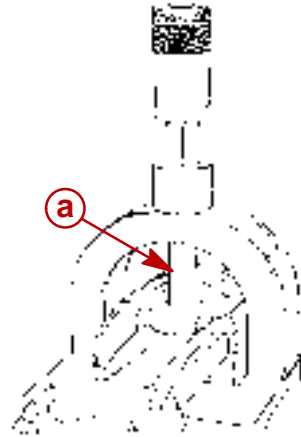
- Notch on piston must be positioned toward the front of the engine.



72896

**a** - Notch

1. Assemble piston to connecting rod using piston pin remover as shown. Follow instructions supplied with tool.



72371

**a** - Piston Pin Remover (J-24086-B)

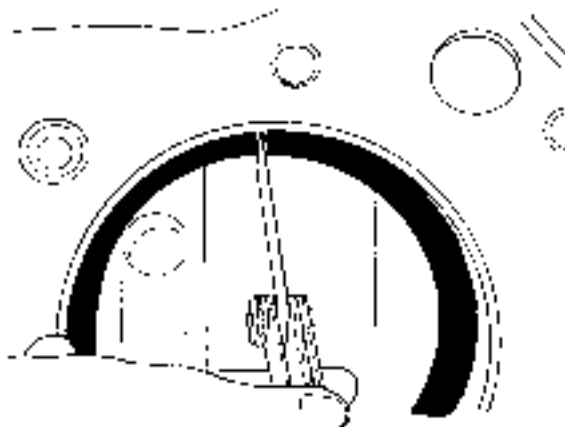
2. Once assembled, check piston for freedom of movement (back and forth and up and down) on connecting rod. Piston should move freely in all directions. If it does not, piston pin bore is tight and piston/pin assembly must be replaced.
3. If a new connecting rod has been installed, mark connecting rod and cap (on side of rod and cap with slots for connecting rod bearing tangs) with cylinder number in which it will be installed.

## PISTON RINGS

All compression rings are marked on upper side of ring. When installing compression rings, make sure that marked side is toward top of piston. The top ring is treated with molybdenum for maximum life. Oil control rings are a three piece type, consisting of 2 segments (rails) and a spacer.

Oil control rings are a three-piece type, consisting of two rings and a spacer.

1. Select rings comparable in size to cylinder bore and piston size.
2. Slip compression ring in cylinder bore, then press ring down into cylinder bore about 1/4 in. (6 mm) (below ring travel). Be sure that ring is square with cylinder wall.
3. Measure gap between ends of ring with a feeler gauge as shown.



72372

4. If gap between ends of ring is below specifications, remove ring and try another for fit.
5. Fit each compression ring to cylinder in which it is going to be used.



6. Clean and inspect pistons, if not previously done.
7. Install piston rings as follows:
  - a. Install oil ring spacer in groove and insert anti-rotation tang in oil hole.
  - b. Hold spacer ends butted and install lower steel oil ring rail with gap properly located.
  - c. Install upper steel oil ring rail with gap properly located.
  - d. Flex the oil ring assembly to make sure ring is free. If binding occurs at any point, the cause should be determined and, if caused by ring groove, removed by dressing groove with a fine cut file. If binding is caused by a distorted ring, use a new ring.

**IMPORTANT: Use piston ring expander (91-24697) for compression ring installation.**

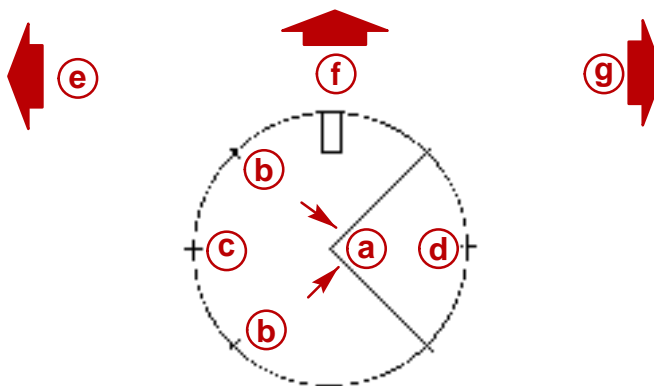
- e. Install lower compression ring with marked side up, using ring expander.
- f. Install top compression ring with marked side up, using ring expander.

## Installation

**IMPORTANT: Cylinder bores must be clean before piston installation. Clean with a light honing, as necessary. Then clean with hot water and detergent wash. After cleaning, swab bores several times with light engine oil and clean cloth, then wipe with a clean dry cloth.**

1. Lubricate connecting rod bearings and install in rods and rod caps.
2. Lightly coat pistons, rings and cylinder walls with light engine oil.
3. With bearing caps removed, install connecting rod bolt guide (3/8-24) (J-5239) on connecting rod bolts.

**IMPORTANT: Be sure ring gaps are properly positioned as shown.**



72373

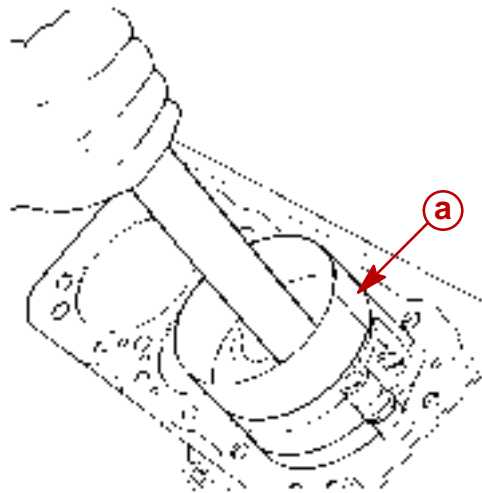
### Ring Gap Location

- a** - Oil Ring Spacer Gap (Tang In Hole Or Slot Within Arc)
- b** - Oil Ring Gaps
- c** - 2nd Compression Ring Gap
- d** - Top Compression Ring Gap
- e** - Port Side
- f** - Engine Front
- g** - Starboard Side

4. Install each connecting rod and piston assembly in its respective bore.
  - a. Install with connecting rod bearing tangs toward outside of cylinder block.
  - b. Use piston ring compressor to compress rings.
  - c. Guide connecting rod into place on crankshaft journal with connecting rod bolt guide.

- d. Use a hammer handle with light blows to install piston into bore.
- e. Hold ring compressor firmly against cylinder block until all piston rings have entered cylinder bore.

**IMPORTANT:** Be sure to install new pistons in same cylinders for which they were fitted, and used pistons in same cylinder from which they were removed. Each connecting rod and bearing cap should be marked, beginning at front of engine. Numbers on connecting rod and bearing cap must be on same side when installed in cylinder bore. If a connecting rod is ever transposed from one block or cylinder to another, new bearings should be fitted and connecting rod should be numbered to correspond with new cylinder number.



72898

**a** - Piston Ring Compressor (J-8037)

5. Remove connecting rod bolt guide.
6. Install bearing caps and torque nuts to 45 lb-ft (27 Nm).
7. Check connecting rod side clearance as previously described.

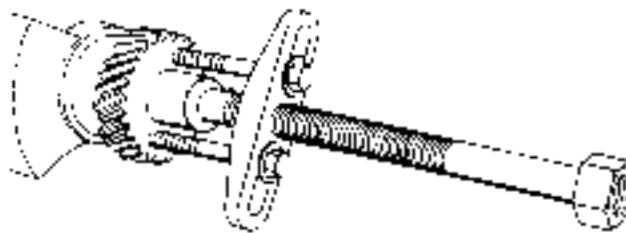
**NOTE:** If bearing replacement is required, refer to "Connecting Rod Bearings."

8. Install as previously outlined:
  - a. Oil pump.
  - b. Dipstick and oil pan.
  - c. Cylinder heads.
  - d. Intake manifold.
  - e. Distributor.
9. Torque rocker arm nuts to 20 lb-ft (27 Nm).
10. Install rocker arm cover and torque to 40 lb-in (4.5 Nm)
11. Fill crankcase with oil. Refer to SECTION 1B "Maintenance."

# Crankshaft

## Removal

1. Remove engine from boat.
2. Drain crankcase oil.
3. Remove as outlined:
  - a. Starter.
  - b. Flywheel housing.
  - c. Drive coupler and flywheel.
  - d. Belts.
  - e. Water pump.
  - f. Crankshaft pulley and torsional damper.
  - g. Spark plugs.
  - h. Oil pan and dipstick tube.
  - i. Oil pump.
  - j. Timing chain cover.
4. Turn crankshaft to align timing mark with camshaft mark.
5. Remove camshaft sprocket.
6. Remove rear main seal and retainer.
7. Ensure all bearing caps (main and connecting rods) are marked so they can be reinstalled in their original locations.
8. Remove connecting rod bearing caps, then push piston and rod assemblies toward heads.
9. Remove main bearing caps and carefully lift crankshaft out of cylinder block.
10. Remove crankshaft gear as shown.



74476

11. If new main and/or connecting rod bearings are to be installed, remove main bearing inserts from cylinder block and bearing caps, and/or connecting rod bearing inserts from connecting rod and caps. Install new bearings following procedures outlined.

## Cleaning and Inspection

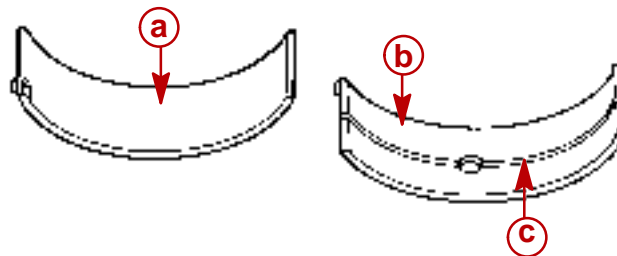
1. Wash crankshaft in solvent and dry with compressed air.
2. Measure main bearing journals and crankpin dimensions with a micrometer for out-of-round, taper or undersize (see "Specifications").
3. Check crankshaft for runout (by supporting at front and rear main bearings journals in V-blocks) and check at front and rear intermediate journals with a dial indicator (see "Specifications").
4. Replace or recondition crankshaft if not within specifications.

## Installation

1. If a new crankshaft is being installed, remove timing sprocket from old crankshaft and reinstall on new crankshaft as outlined.

**IMPORTANT: Be sure that all bearings and crankshaft journals are clean.**

2. Install main bearings in engine block as shown.



72359

### Main Bearing Inserts

- a** - Lower Bearing Insert
- b** - Upper Bearing Insert
- c** - Oil Groove

3. Carefully lower crankshaft into place. Be careful not to damage bearing surface.
4. Check clearance of each main bearing, following procedure outlined under "Main Bearings." If bearing clearances are satisfactory, apply engine oil to journals and bearings.
5. Install main bearing caps. Torque bolts to 75 lb-ft (102 Nm). When tightening rear main bearing cap, follow procedure outlined under "Main Bearings."
6. Check crankshaft end play as previously outlined.
7. Install rear main seal retainer and seal. Torque fasteners to 133 lb-in. (15 Nm).
8. Check clearance for each connecting rod bearing, following procedure under "Connecting Rod Bearings." If bearing clearances are satisfactory, apply engine oil to journals and bearings.
9. Install rod caps and torque nuts to 45 lb-ft (61 Nm).
10. Turn crankshaft so mark on timing sprocket is facing camshaft.

11. Install as outlined:
  - a. Timing chain and sprocket on camshaft - align marks with crankshaft.
  - b. Timing chain cover.
  - c. Oil pump.
  - d. Dipstick tube and oil pan.
  - e. Spark plugs.
  - f. Torsional damper and crankshaft pulley.
  - g. Water pump.
  - h. Belts.
  - i. Flywheel and drive coupler.
  - j. Flywheel housing.
  - k. Starter.
12. Install new oil filter. Fill crankcase with oil.

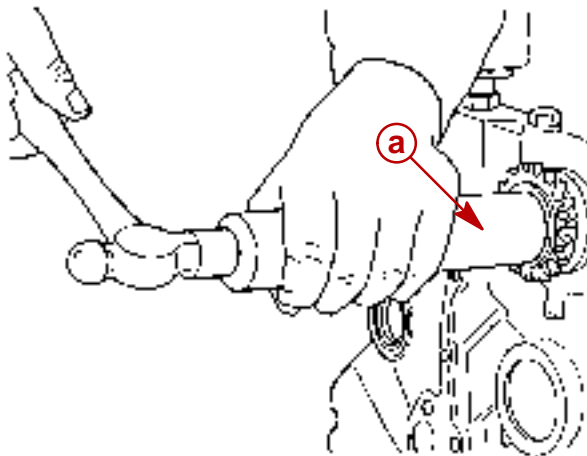
## Crankshaft Sprocket

### Removal

1. Remove torsional damper and crankcase front cover as previously outlined.
2. Remove camshaft timing chain as outlined, and using crankshaft gear and sprocket puller (J-5825-A), remove crankshaft sprocket.

### Installation

1. Using crankshaft gear and sprocket installer, as shown, install sprocket on crankshaft.



72377

**a** - Crankshaft Gear and Sprocket Installer (J-5590)

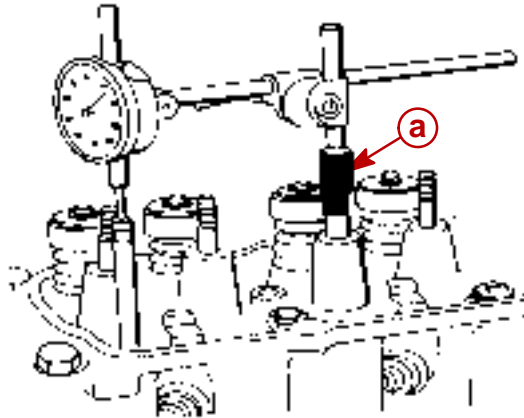
2. Install timing chain as outlined.
3. Install crankcase cover and torsional damper as outlined.

# Camshaft

## Measuring Lobe Lift

**NOTE:** Procedure is similar to checking valve timing. If improper valve operation is indicated, measure lift of each push rod in consecutive order and record readings.

1. Remove valve mechanism as previously outlined.
2. Position indicator with ball socket adaptor tool on push rod. Be sure that push rod is in lifter socket.



72907

**a** - Ball Socket Adaptor Tool (J-8520-1)

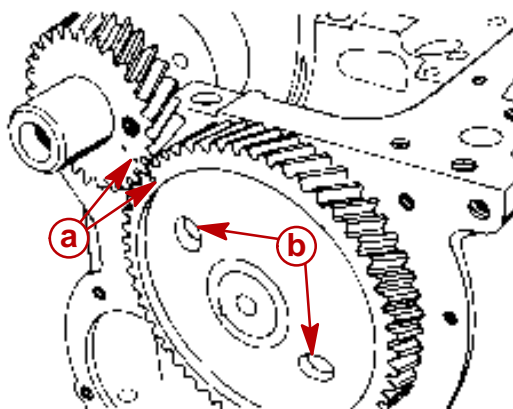
3. Rotate crankshaft torsional damper slowly in direction of rotation until lifter is on heel of cam lobe. At this point, push rod will be in its lowest position.
4. Set dial indicator on zero, then rotate balancer slowly (or attach an auxiliary starter switch and "bump" engine over) until push rod is in fully raised position.
5. Compare total lift, recorded from dial indicator, with "Specifications."
6. Continue to rotate engine until indicator reads zero. This will be a check on accuracy of original indicator reading.
7. If camshaft readings for all lobes are within specifications, remove dial indicator assembly.
8. Install rocker arm and push rod. Torque nuts to 20 lb-ft (27 Nm).

## Removal

1. Remove valve lifters as previously outlined.
2. Remove crankcase front cover as previously outlined.
3. Remove fuel pump.
4. Align timing gear marks, then remove the two camshaft thrust plate screws by working through holes in camshaft gear.

5. Pull camshaft and gear assembly out through front of block.

**IMPORTANT: Support camshaft carefully when removing to protect camshaft bearings.**

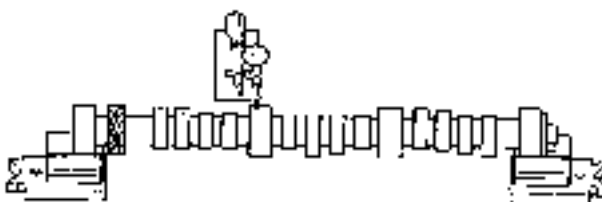


74438

- a** - Timing Marks
- b** - Screw Access Holes

## Inspection

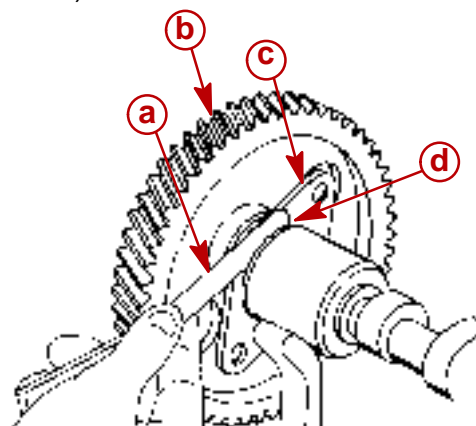
1. Measure camshaft bearing journals with a micrometer for out-of-round condition. If journals exceed .001 in. (0.02 mm) out-of-round, camshaft should be replaced.
2. Also check camshaft for alignment with V-blocks and dial indicator which indicates exact amount camshaft is out of true. If dial indicator reads more than .002 in. (0.05 mm) camshaft should be replaced.



72909

### Checking Camshaft Alignment

3. Inspect camshaft gear and thrust plate for wear or damage. Measure camshaft end play .001 - .005 in. (0.03-0.1 mm).



74439

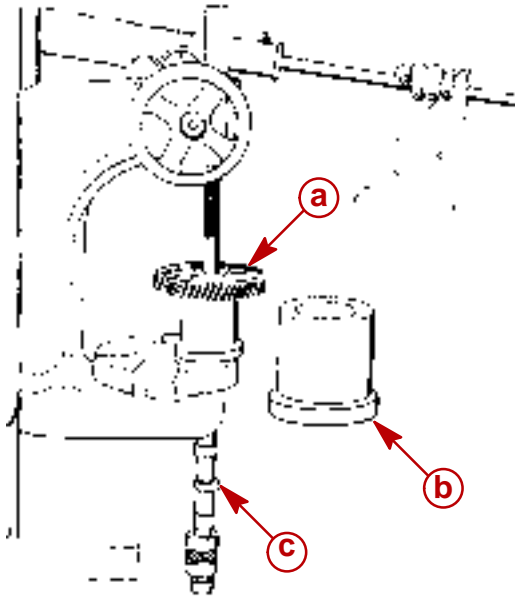
- a** - Feeler Gauge
- b** - Camshaft Gear
- c** - Camshaft Thrust Plate
- d** - Take Measurement Here

## Camshaft Gear Replacement

1. If inspection indicates that camshaft, gear or thrust plate should be replaced, remove gear from camshaft.
2. Place camshaft through gear remover, place end of remover on table of a press shaft out of gear.

### ⚠ CAUTION

Position thrust plate so that woodruff key in shaft does not damage plate when shaft is pressed out of gear. Also support hub of gear, or gear will be seriously damaged.

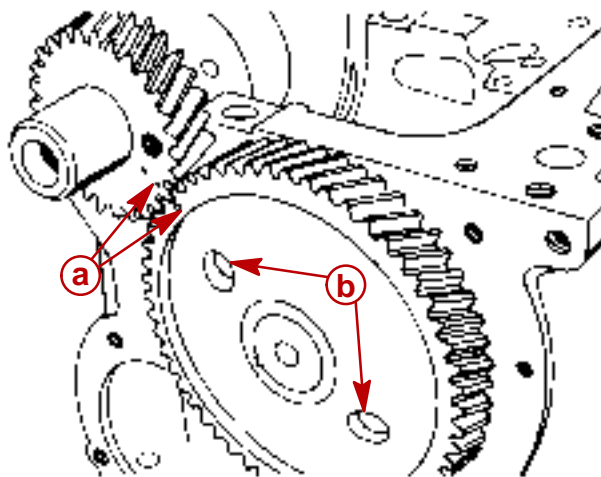


74477

- a** - Camshaft Gear
- b** - Support Sleeve
- c** - Camshaft

## Installation

1. Install camshaft and gear assembly in engine block. Be careful not to damage camshaft bearings or camshaft.



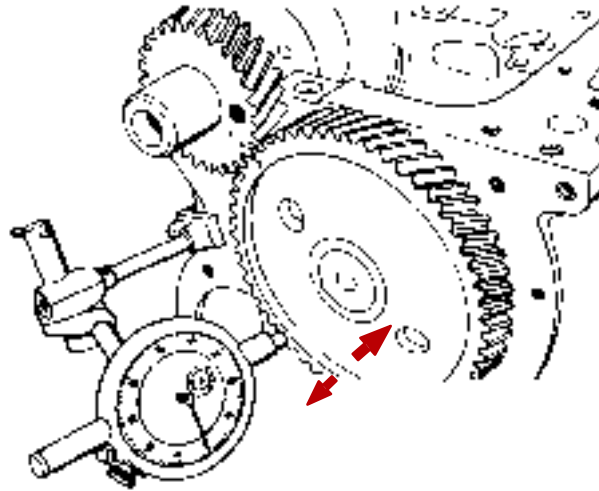
74438

- a** - Timing Marks
- b** - Screw Access Holes

2. Turn crankshaft and camshaft so the timing marks on gear teeth will line up. Push camshaft thrust plate to block screws and torque to specifications.



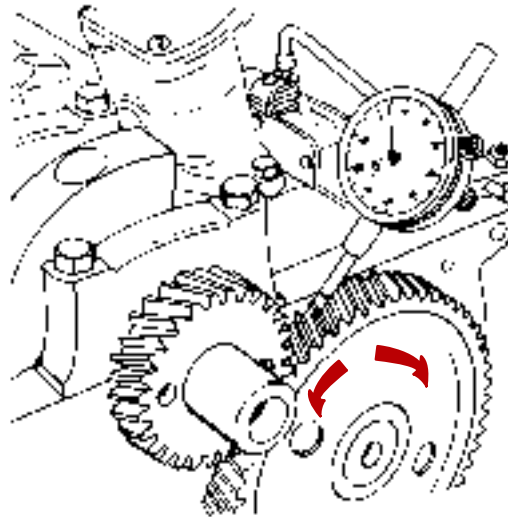
3. Check camshaft and crankshaft gear run-out with a dial indicator. Camshaft gear run-out should not exceed .004 in. (0.1 mm) and crankshaft gear run-out should not exceed .003 in. (0.07 mm).



74440

### Checking Timing Gear Run-Out

4. If gear run-out is excessive, remove gear and clean burrs from shaft or replace gear.
5. Check backlash between timing gear teeth with a dial indicator. Backlash should not be less than .004 in. (0.010 mm) or more than .006 in. (0.15 mm).



74441

### Checking Timing Gear Backlash

6. Install fuel pump.
7. Install front crankcase cover.
8. Pour GM engine oil supplement or light engine oil over camshaft lobes and install valve lifters.

# Camshaft Bearings

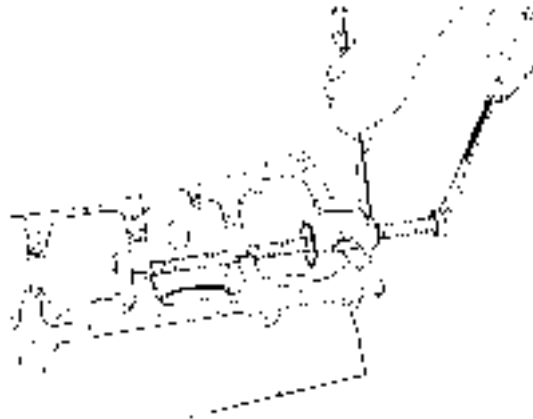
## Removal

Camshaft bearings can be replaced while engine is disassembled for overhaul or without complete disassembly. To replace bearings without complete disassembly, remove camshaft and crankshaft, leaving cylinder heads attached and pistons in place. Before removing crankshaft, fasten connecting rods against sides of engine so that they will not interfere while replacing camshaft bearings.

1. With camshaft and crankshaft removed, drive camshaft rear plug from cylinder block.

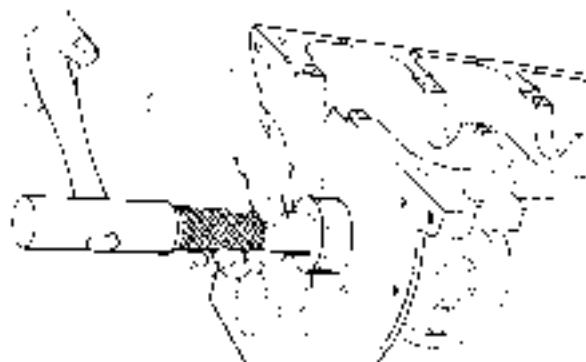
**NOTE:** This procedure is based on removal of bearings from center of engine first, thus requiring a minimum amount of turns to remove all bearings.

2. Using camshaft bearing remover and installer set (J-6098-01) (with nut and thrust washer installed to end of threads), position pilot in front camshaft bearing and install puller screw through pilot.
3. Install tool with shoulder toward bearing. Be sure a sufficient amount of threads are engaged.
4. Using two wrenches, hold puller screw while turning nut. When bearing has been pulled from bore, remove tool and bearing from puller screw.



74478

5. Remove remaining bearings (except front and rear) in same manner. It will be necessary to position pilot in rear camshaft bearing to remove rear intermediate bearing.



74479

6. Assemble driver on driver handle and remove front and rear camshaft bearings by driving toward center of cylinder block.

## Inspection

Clean camshaft bearing bores in cylinder block with solvent and blow out with compressed air. Be sure grooves and drilled oil passages are clean.

## Installation

### ⚠ CAUTION

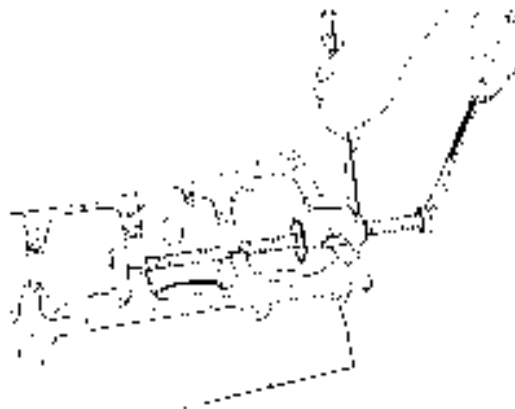
Oil holes in bearings must line up with oil holes in cylinder block. Oil hole is on top side of bearing shell and cannot be seen during installation, so first align bearing shell oil hole with oil hole in bore and mark opposite side of bearing and block at bore to easily position oil hole during installation.

**IMPORTANT:** Front bearing must be driven approximately .125 in. (3 mm) behind the block face to uncover oil hole to timing gear oil nozzle.

**IMPORTANT:** All camshaft bearings are not the same. Be sure to install bearings in proper locations (Indicated by bearing manufacturer) and to position bearings as follows (directional references are in reference to engine in its normal operating position):

Lubricate outer surface of new camshaft bearings with engine oil to ease installation.

1. Installing intermediate and center bearings:
  - a. Install nut and thrust washer all the way onto puller screw, then position pilot in front camshaft bearing bore and insert screw through pilot.
  - b. Index center camshaft bearing, then position appropriate size remover and installer tool in bearing and thread puller screw into tool. Be sure at least 1/2 in. (13 mm) of threads are engaged.

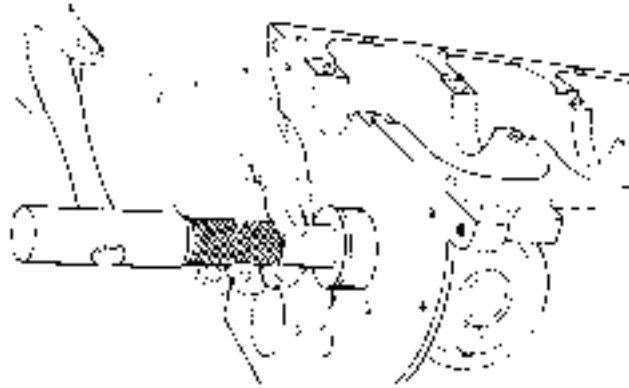


74478

### Pulling Cam Bearing From Bore

- c. Using two wrenches, hold puller screw and turn nut until bearing has been pulled into position. Remove the remover and installer tool and ensure that oil hole(s) in bearing is positioned correctly.
  - d. Install intermediate bearings in same manner. Be sure to index bearings correctly. It will be necessary to position pilot in rear camshaft bearing bore to install rear intermediate bearing.
2. Installing front and rear bearings:
  - a. Install appropriate size remover and installer tool on drive handle.

- b. Index front bearing (as explained in "Important" above), and drive it into position with tool. Check position of oil hole(s) in bearing to ensure bearing is positioned correctly.



74479

### Removal And Installation Camshaft Bearings

- a** - Installation Tool
- b** - Camshaft Bearing

- c. Install rear bearing in same manner. Be sure to index bearing correctly.
3. Install a new camshaft rear plug.

**IMPORTANT: Plug must be installed flush to 1/32 in. (0.8 mm) deep and must be parallel with rear surface of cylinder block.**

4. Install crankshaft and camshaft as previously outlined.

## Cylinder Block

### Cleaning and Inspection

1. Remove all engine components as previously outlined.
2. Wash cylinder block thoroughly in cleaning solvent and clean all gasket surfaces.
3. Remove oil gallery plugs and clean all oil passages.
4. Remove expansion plugs.

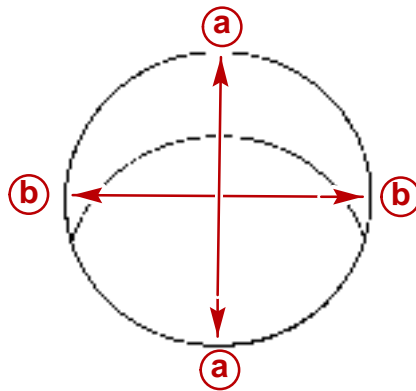
**NOTE:** *These plugs may be removed with a sharp punch or they may be drilled and pried out.*

5. Clean and inspect water passages in cylinder block.
6. Inspect cylinder block for cracks in cylinder walls, water jacket valve lifter bores and main bearing webs.

7. Measure cylinder bores to ensure they meet specifications.

**⚠ CAUTION**

**Measure cylinder walls for taper, out-of-round or excessive ridge at top of ring travel. This should be done with a dial indicator or inside micrometer. Carefully work gauge up and down cylinder to determine taper and turn it to different points around cylinder wall to determine out-of-round condition. If cylinders exceed specifications, boring and/or honing will be necessary.**



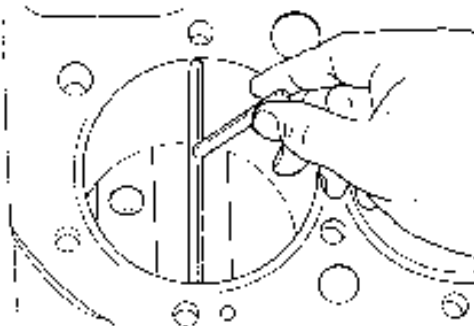
72385

**Cylinder Measurement**

- a** - At right angle to centerline of engine
- b** - Parallel to centerline of engine

“Out-of-Round” = Difference between “A” and “B”

“Taper” =Difference between measurement “A” at top of cylinder bore and “A” measurement at bottom of cylinder bore



72386

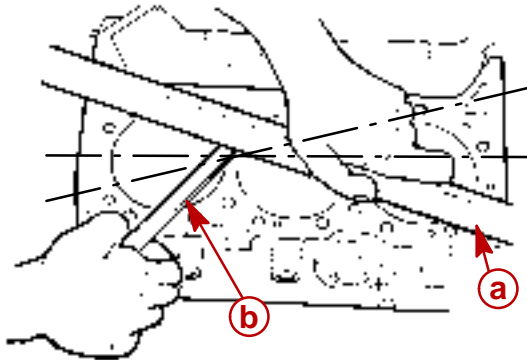
**Measuring Cylinder Bore With Snap Gauge**



72387

**Measuring Cylinder Bore With Dial Indicator**

8. Check cylinder head gasket surfaces for warp with a machinist's straight-edge and a feeler gauge, as shown. Take measurements diagonally across surfaces (both ways) and straight down center. If surfaces are warped more than .003 in. (0.07 mm) in a 6 in. area or .007 in. (0.2 mm) overall, block must be resurfaced by an automotive machine shop.



72910

- a** - Machinist's Straight-Edge  
**b** - Feeler Gauge

## CYLINDER CONDITIONING

1. Performance of the following operation depends upon engine condition at time of repair.
2. If cylinder block inspection indicates that block is suitable for continued use (except for out-of-round or tapered cylinders), they can be conditioned by honing or boring.
3. If cylinders have less than .005 in. (0.127 mm) taper or wear, they can be conditioned with a hone and fitted with high limit standard size piston. A cylinder bore of more than .005 in. wear or taper may not clean up entirely when fitted to a high limit piston. To entirely clean up the bore, it will be necessary to bore for an oversize piston. If more than .005 in. taper or wear, bore and hone to smallest oversize that will permit complete resurfacing of all cylinders.
4. When pistons are being fitted and honing is not necessary, cylinder bores may be cleaned with a hot water and detergent wash. After cleaning, swab cylinder bores several times with light engine oil and a clean cloth, then wipe with a clean dry cloth.

## CYLINDER BORING

1. Before using any type boring bar, file off top of cylinder block to remove dirt or burrs. This is very important to prevent boring bar tilt, resulting in the bored cylinder wall not being at right angles to crankshaft.
2. Measure piston to be fitted with a micrometer, measuring at center of piston skirt and at right angles to piston pin. Bore cylinder to same diameter as piston and hone to give specified clearance.

**NOTE:** Hone cylinders as outlined under "Cylinder Honing" and "Piston Selection," following.

3. Carefully observe instructions furnished by manufacturer of equipment being used.

## CYLINDER HONING

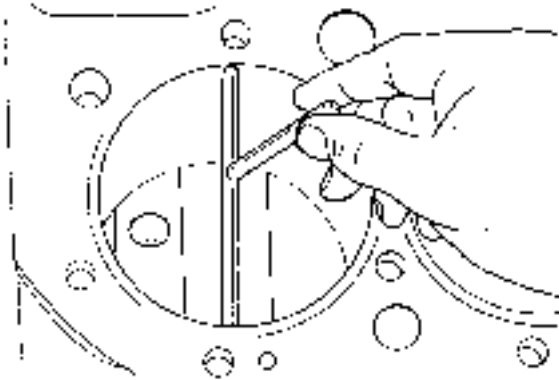
1. Follow hone manufacturer's recommendations for use of hone and cleaning and lubrication during honing.
2. Occasionally, during the honing operation, thoroughly clean cylinder bore and check piston for correct fit in cylinder.
3. When finish-honing a cylinder bore to fit a piston, move hone up and down at a sufficient speed to obtain very fine uniform surface finish marks in a crosshatch pattern of approximately 30 degrees to cylinder bore. Finish marks should be clean but not sharp, free from imbedded particles and torn or folded metal.
4. Permanently mark piston (for cylinder to which it has been fitted) and proceed to hone cylinders and fit remaining pistons.

**IMPORTANT: Handle pistons with care and do not attempt to force them through cylinder until cylinder is honed to correct size, as this type piston can be distorted by careless handling.**

5. Thoroughly clean cylinder bores with hot water and detergent. Scrub well with a stiff bristle brush and rinse thoroughly with hot water. It is extremely essential that a good cleaning operation be performed. If any abrasive material remains in cylinder bores, it will rapidly wear new rings and cylinder bores in addition to bearings lubricated by the contaminated oil. Swab bores several times with light engine oil on a clean cloth, then wipe with a clean dry cloth. Cylinder should not be cleaned with kerosene or gasoline. Clean remainder of cylinder block to remove excess material spread during honing operation.

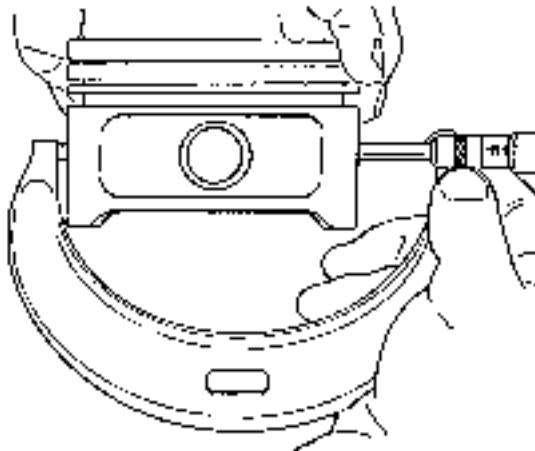
## PISTON SELECTION

1. Check used piston to cylinder bore clearance as follows:
  - a. Measure cylinder bore diameter with a snap gauge 2-1/2 in. (64 mm) from top of cylinder bore as follows.



72386

- b. Measure piston diameter at skirt across center line of piston pin as shown.



72911

- c. Subtract piston diameter from cylinder bore diameter to determine piston-to-bore clearance.
      - d. Determine if piston-to-bore clearance is in acceptable range shown in "Specifications."
  2. If used piston is not satisfactory, determine if a new piston can be selected to fit cylinder bore within acceptable range.
  3. If cylinder bore must be reconditioned, measure new piston diameter (across centerline of piston pin), then hone cylinder bore to correct clearance (preferable range).
  4. Mark piston to identify cylinder for which it was fitted.



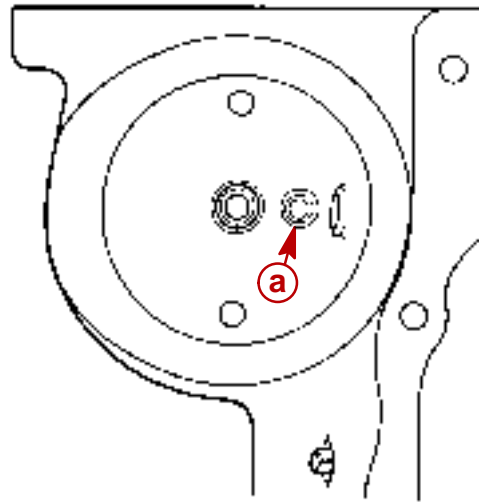
# Oil Filter By-Pass Valve

## Inspection and/or Replacement

With oil filter removed, check spring and fiber valve for operation. Inspect for a cracked or broken valve. If replacement is necessary, pry valve out with screwdriver. Install and seat a new valve by tapping in place with a 9/16 in. thin wall deep socket.

Refer to "Engine Parts List" when ordering parts for oil filter by-pass valve.

1. Remove oil filter from cylinder block and remove by-pass valve.
2. Clean by-pass valve in solvent and blow dry with compressed air.
3. Inspect fiber valve for cracks or other damage. Check that valve fits tightly against its seat. Push valve down and release it. Valve should return freely to its seat. If valve operation is questionable, by-pass valve should be replaced.



72912

### Typical By-Pass Valve

**a** - Fiber Valve (Ensure Valve Fits Tightly Against the Seal)

4. Wipe out valve chamber in cylinder block to remove any foreign material.
5. Install by-pass valve or cylinder block adaptor to engine block.
6. Lubricate oil filter rubber seal and install hand-tight only.

**THIS PAGE IS INTENTIONALLY BLANK**

**THIS PAGE IS INTENTIONALLY BLANK**

**THIS PAGE IS INTENTIONALLY BLANK**

# ELECTRICAL SYSTEM

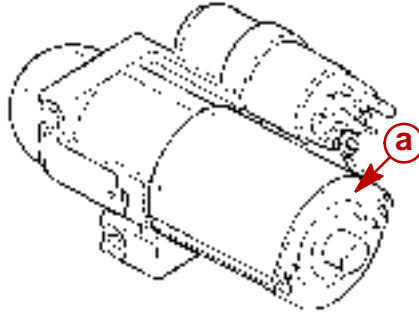
## Section 4A - Starting System

### Table of Contents

Identification .....	4A-2	Starter Motor Repair .....	4A-14
Replacement Parts Warning .....	4A-2	Removal .....	4A-14
Battery .....	4A-3	Disassembly .....	4A-14
Battery Cable Recommendations .....	4A-3	Cleaning and Inspection .....	4A-18
Starting System Components .....	4A-4	Armature Tests .....	4A-19
Replacement Parts Warning .....	4A-5	Armature Bearing (Commutator End) .	4A-20
Maintenance .....	4A-5	Gear Bearing .....	4A-20
Storage .....	4A-6	Shaft Assembly Bearing .....	4A-21
Testing .....	4A-7	Drive End Housing Bearing .....	4A-21
Positive Current Flow .....	4A-8	Brushes and Brush Holder .....	4A-22
Charging Guide .....	4A-9	Reassembly .....	4A-24
12 Volt Battery Recommended Rate* and Time for Fully Discharged Condition .....	4A-9	Starter Solenoid .....	4A-28
Slave Solenoid Identification .....	4A-10	Testing/Replacement .....	4A-28
Types .....	4A-10	Installation .....	4A-30
Standard Type Slave Solenoid .....	4A-10	PG260F1 Starter Motor .....	4A-31
Switch Type Slave Solenoid .....	4A-10	PG260F1 Specifications .....	4A-31
Testing/Replacement .....	4A-11	Torque Specifications .....	4A-31
Solenoid Switch .....	4A-11	Lubricants/Sealants .....	4A-31
Periodic Inspection .....	4A-11	Description .....	4A-31
PG260 Starter Motor .....	4A-12	Exploded View .....	4A-32
PG260 Specifications .....	4A-12	Starter Motor Repair .....	4A-33
Torque Specification .....	4A-12	Removal .....	4A-33
Description .....	4A-12	Disassembly .....	4A-33
PG260 Exploded View .....	4A-13	Cleaning and Inspection .....	4A-37
		Armature Tests .....	4A-37
		Reassembly .....	4A-38
		Starter Solenoid .....	4A-42
		Installation .....	4A-44

## Identification

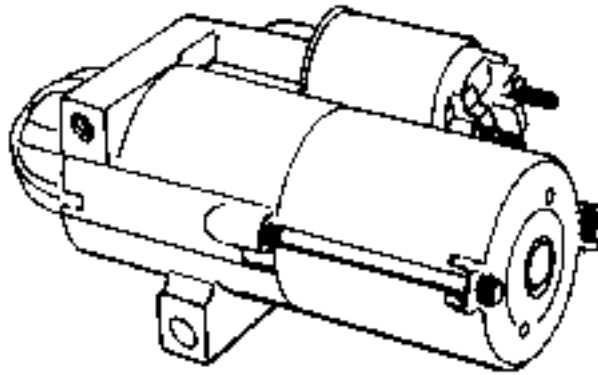
The starter identification number is located as shown.



72059

### Delco PG 260 Starter Motor

**a** - Starter Identification Number



75820

### Delco PG260F1 Starter Motor

**NOTE:** The RP long block, S/N 0L097000 and above, has 3 starter motor mounting holes in the cylinder block. The RK long block, S/N 0L096999 and below, has 2 starter motor mounting holes in the cylinder block.

## Replacement Parts Warning

### ⚠ WARNING

Electrical, ignition and fuel system components on your MerCruiser are designed and manufactured to comply with U.S. Coast Guard Rules and Regulations to minimize risks of fire and explosion.

### ⚠ WARNING

Use of replacement electrical, ignition or fuel system components, which do not comply with these rules and regulations, could result in a fire or explosion hazard and should be avoided.

# Battery

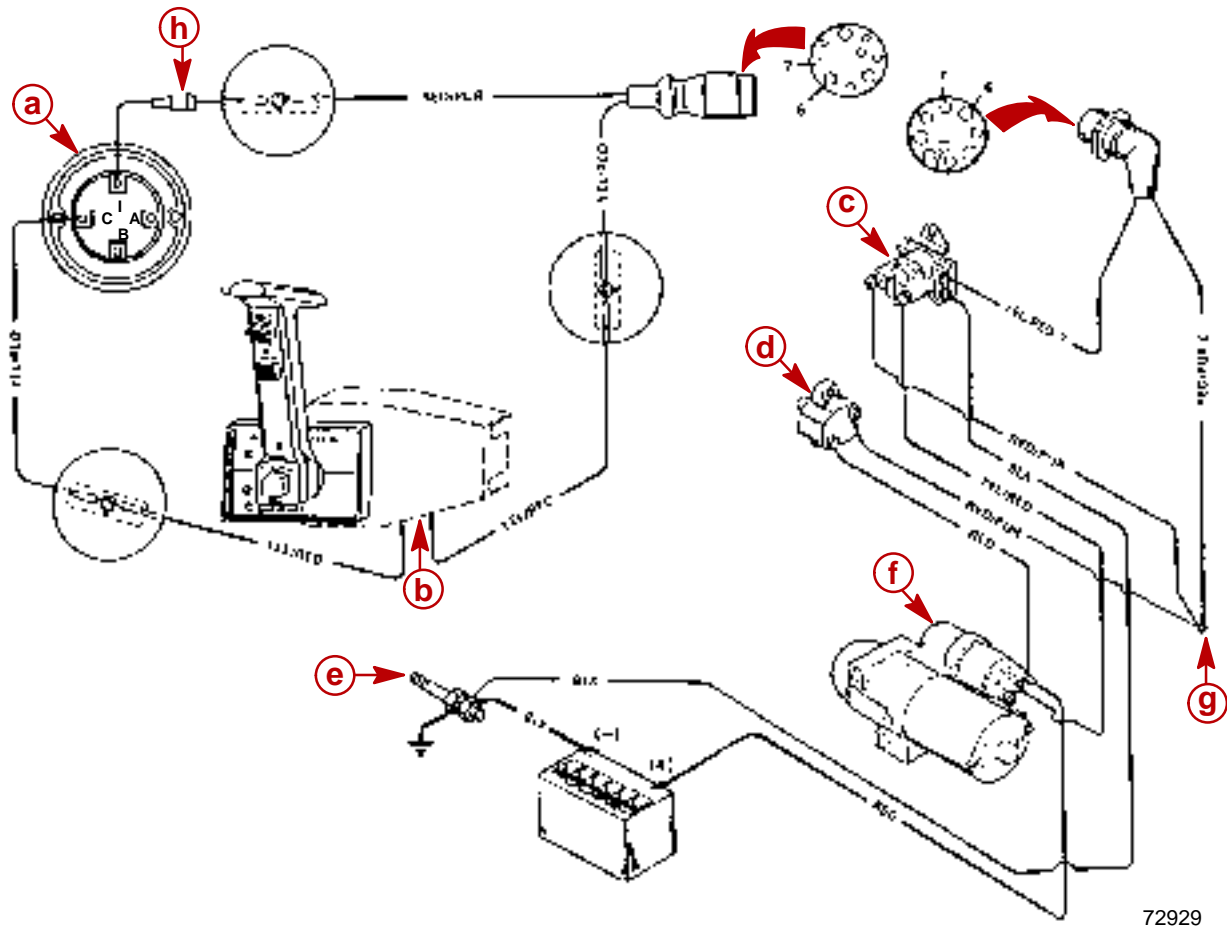
Battery Cold Cranking Amperage	
3.0L	375 cca, 475 mca, 90Ah

## Battery Cable Recommendations

**IMPORTANT:** Terminals must be soldered to cable ends to ensure good electrical contact. Use electrical grade (resin flux) solder only. Do not use acid flux solder, as it may cause corrosion and failure.

Cable Length	Cable Gauge	
Up to 3-1/2 ft (1.1 m)	4	(25 mm <sup>2</sup> )
3-1/2 - 6 ft (1.1-1.8 m)	2	(35 mm <sup>2</sup> )
6 - 7-1/2 ft (1.8-2.3 m)	1	(50 mm <sup>2</sup> )
7-1/2 - 9-1/2 ft (2.3-2.9 m)	0	(50 mm <sup>2</sup> )
9-1/2 - 12 ft (2.9-3.7 m)	00	(70 mm <sup>2</sup> )
12 - 15 ft (3.7-4.6 m)	000	(95 mm <sup>2</sup> )
15 - 19 ft (4.6-5.8 m)	0000	(120 mm <sup>2</sup> )
Both positive (+) and negative (-) cables		

# Starting System Components



- a** - Ignition Switch
- b** - Neutral Safety Switch
- c** - Starter Slave Solenoid
- d** - Circuit Breaker (not on all models)
- e** - Engine Ground Stud
- f** - Starter Solenoid
- g** - Wire Junction
- h** - 20 Amp Fuse



## Replacement Parts Warning

### WARNING

Electrical, ignition and fuel system components on your MerCruiser are designed and manufactured to comply with U.S. Coast Guard Rules and Regulations to minimize risks of fire and explosion.

Use of replacement electrical, ignition or fuel system components that do not comply with these rules and regulations could result in a fire or explosion hazard and should be avoided.

## Maintenance

### WARNING

Do not use jumper cables and a booster battery to start engine. Do not recharge a weak battery in the boat. Remove battery and recharge in a ventilated area away from fuel vapors, sparks or flames.

### WARNING

Batteries contain acid which can cause severe burns. Avoid contact with skin, eyes and clothing. Batteries also produce hydrogen and oxygen gases when being charged. This explosive gas escapes fill/vent cell caps and may form an explosive atmosphere around the battery for several hours after it has been charged; sparks or flames can ignite the gas and cause an explosion that may shatter the battery and could cause blindness or other serious injury.

Safety glasses and rubber gloves are recommended when handling batteries or filling with electrolyte. Hydrogen gases that escape from the battery during charging are explosive. When charging batteries, be sure battery compartment, or area where battery is located, is well vented. Battery electrolyte is a corrosive acid and should be handled with care. If electrolyte is spilled or splashed on any part of the body, immediately flush the exposed area with liberal amounts of water and obtain medical aid as soon as possible.

### CAUTION

To prevent damage to the electrical system be sure to adhere to the following:

- When installing battery, be sure to connect the POSITIVE (+) battery cable to POSITIVE (+) battery terminal first and then the NEGATIVE (-) battery cable to NEGATIVE (-) battery terminal.
- Never disconnect the battery cables while the engine is running.
- If a charger or booster is to be used, be sure to connect it in parallel with existing battery (positive to positive and negative to negative).
- When applying a booster charge to battery, disconnect both cables from battery (to prevent damage to voltage regulator).
- Check battery condition periodically.
- Make sure that battery leads are kept clean and tight.

1. Ensure that the battery meets the following certain conditions before testing:

**⚠ CAUTION**

**Test battery in well ventilated area as gases given off by battery are hazardous.**

- Battery must be 60 to 100°F (16 to 38°C).
  - Electrolyte level must be correct in all cells.
  - Battery must be at least half charged.
  - No obvious defects.
2. Place battery under heavy load (as during engine cranking or with a variable resistor tester) and test cell voltage while under load:
    - a. Check voltage per manufacturer's specifications.
    - b. If readings are low, recharge and retest.
    - c. If readings remain low, battery should be replaced.

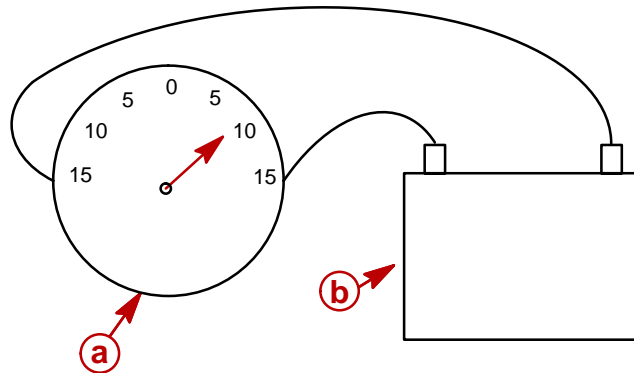
## Storage

1. Remove battery and clean exterior.
2. Check fluid level and fill if low.
3. Cover terminals and bolts with light coat of grease.
4. Set battery on wood or in carton; store in cool, dry place.
5. Check every 20 days for fluid level and slow charge.

**IMPORTANT: A discharged battery can be damaged by freezing.**

## Testing

A strong battery must be maintained. If battery shows less than 9-1/2 volts when under starting load, (at 80° F or 27° C) it should be recharged. Check with DC voltmeter.



74307

- a** - Voltmeter
- b** - Battery

Place battery under heavy load (as during engine cranking or with a variable resistor tester) and test cell voltage while under load.

Certain conditions must be met before testing.

- Battery must be 60 to 100°F (16 to 38°C).
  - Electrolyte level must be correct in all cells.
  - Battery must be at least half charged.
  - No obvious defects.
1. Check voltage per manufacturer's specifications.
  2. If readings are low, recharge and retest.
  3. If readings remain low, battery should be replaced.

## Positive Current Flow

This is a general description of the positive current flow, from the battery and through the system until the starter motor cranks.

- Battery to the solenoid switch (on starter) (RED battery cable).
- Solenoid switch to circuit breaker (RED).
- Circuit breaker to wire junction (RED-PUR).
- Wire junction to wiring harness plug (RED-PUR) terminal 6.
- Wiring harness plug to 20 amp fuse (RED-PUR).
- 20 amp fuse to ignition switch terminal I (RED-PUR). At this point ignition switch is turned to START.
- Ignition switch terminal I to terminal C.
- Ignition switch terminal C to neutral start switch (YEL-RED). NEUTRAL START SWITCH MUST BE AT NEUTRAL POSITION.
- Neutral start switch to wiring harness plug terminal 7 (YEL-RED).
- Wiring harness plug to starter solenoid (small terminal) (YEL-RED). Also ensure that black (small terminal) wire is grounded.
- Starter solenoid is now "closed," completing circuit between large terminal (RED-PUR) and other large terminal (YEL-RED), causing starter motor to crank.

# Charging Guide

## 12 Volt Battery Recommended Rate\* and Time for Fully Discharged Condition

Twenty Hour Rating	5 Amperes	10 Amperes	20 Amperes	30 Amperes	40 Amperes	50 Amperes
50 Ampere-Hours or less	10 Hours	5 Hours	2-1/2 Hours	2 Hours		
Above 50 to 75 Ampere-Hours	15 Hours	7-1/2 Hours	3-1/2 Hours	2-1/2 Hours	2 Hours	1-1/2 Hours
Above 75 to 100 Ampere-Hours	20 Hours	10 Hours	5 Hours	3 Hours	2-1/2 Hours	2 Hours
Above 100 to 150 Ampere-Hours	30 Hours	15 Hours	7-1/2 Hours	5 Hours	3-1/2 Hours	3 Hours
Above 150 Ampere-Hours		20 Hours	10 Hours	6-1/2 Hours	5 Hours	4 Hours

\* Initial rate for constant voltage taper rate charger

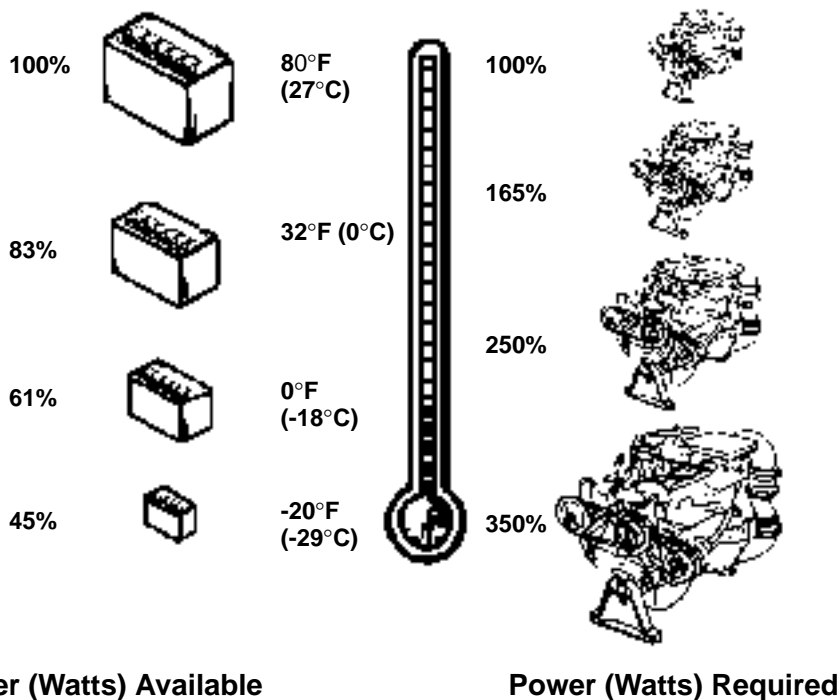
To avoid damage, charging rate must be reduced or temporarily halted, if:

1. Electrolyte temperature exceeds 125° F (52° C).
2. Violent gassing or spewing of electrolyte occurs.

Battery is fully charged when, over a two hour period at a low charging rate in amperes, all cells are gassing freely and no change in specific gravity occurs. For the most satisfactory charging, the lower charging rates in amperes are recommended.

Full charge specific gravity is 1.260-1.280, corrected for temperature with electrolyte level at split ring.

### Battery Power as Affected by Temperature



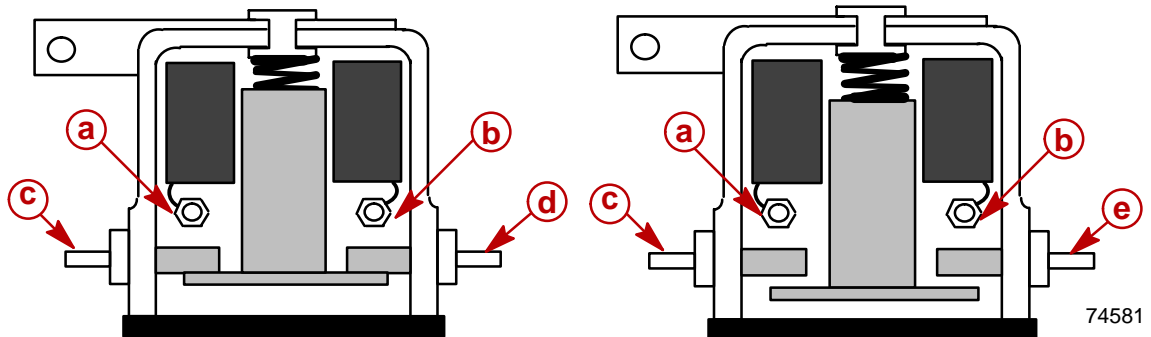
74310

# Slave Solenoid Identification

## Types

There are two types of slave solenoids ("standard" or "switch") used on MerCruiser engines. These engines use a standard type solenoid; **do not substitute a switch type solenoid**. The other engines use a slave solenoid to energize the starter motor solenoid. Some model engines use the small terminal on the "switch type" solenoid for ignition by-pass during the starting of the engine. Because of this, be sure to use correct type of slave solenoid for replacement.

### Standard Type Slave Solenoid

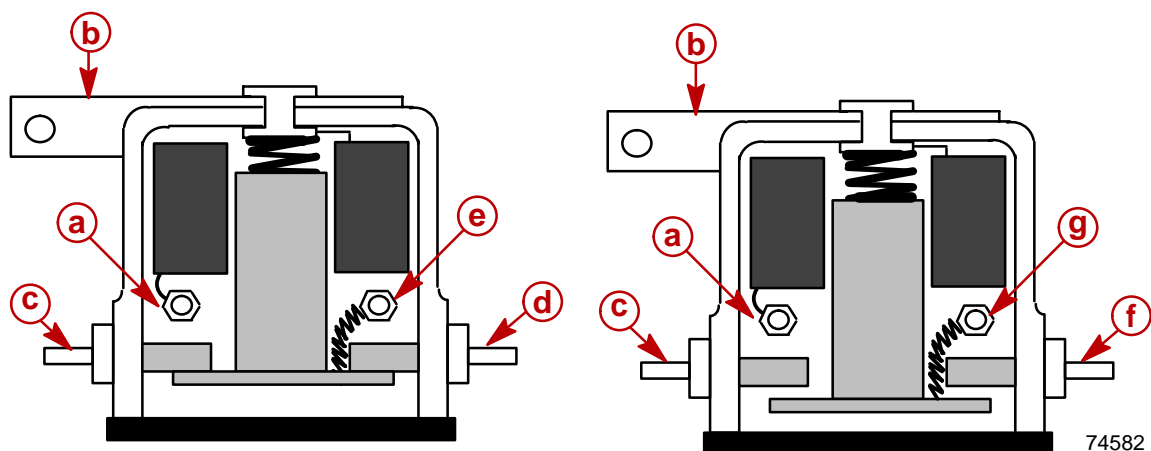


**Starting Position**

**Off Or Run Position**

- a** - From Key Switch (12 Volts In Start Position)
- b** - To Ground
- c** - 12 Volts From Battery
- d** - 0 Volts From Starter
- e** - 12 Volts To Starter

### Switch Type Slave Solenoid



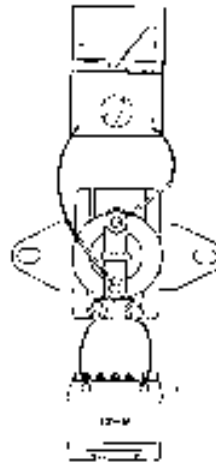
**Starting Position**

**Off Or Run Position**

- a** - From Key Switch (12 Volts in Start Position)
- b** - Mounting Bracket and Ground
- c** - 12 Volts from Battery
- d** - 0 Volts To Starter
- e** - 0 Volts To Ignition Coil
- f** - 12 Volts To Starter
- g** - 12 Volts To Ignition Coil

## Testing/Replacement

1. Using continuity meter, connect test leads as shown and connect 12-volt battery with jumper leads as shown.



72630

2. If no meter movement is present, replace solenoid.

## Solenoid Switch

The solenoid switch, along with plunger, return spring, and shift lever, are completely sealed and permanently mounted in the drive housing. If solenoid is defective, entire drive housing must be replaced.

## Periodic Inspection

Cranking motor and solenoid are completely enclosed in the drive housing to prevent entrance of moisture and dirt. However, periodic inspection is required as follows:

1. Inspect terminals for corrosion and loose connections.
2. Inspect wiring for frayed and worn insulation.
3. Check starter mounting bolts for tightness.

# PG260 Starter Motor

## PG260 Specifications

Delco I.D. Number	MerCruiser Part Number
9000820	50-806963

Engine Rotation	No Load Test					Brush Spring Tension Oz. (Grams)
	Volts	Min. Amps	Max. Amp	Min. rpm	Max. rpm	
LH	10.6	60	95	2750	3250	83-104 oz. (2352-2948)
Pinion Clearance			.101-.160 (.025-4.06mm)			
Bearing Depth (Gear)			.011-.014 (0.28-.038mm) Maximum			
Bearing Depth (Housing)			.009-.017 (0.4mm) Maximum			

## Torque Specification

Fastener Location	lb-ft	Nm
Starter Mounting Bolts	30	41
Fastener Not Listed	Tighten Securely	

**NOTE:** The PG260 starter cannot be rebuilt. The only replacement components available are the solenoid and drive housing.

## Description

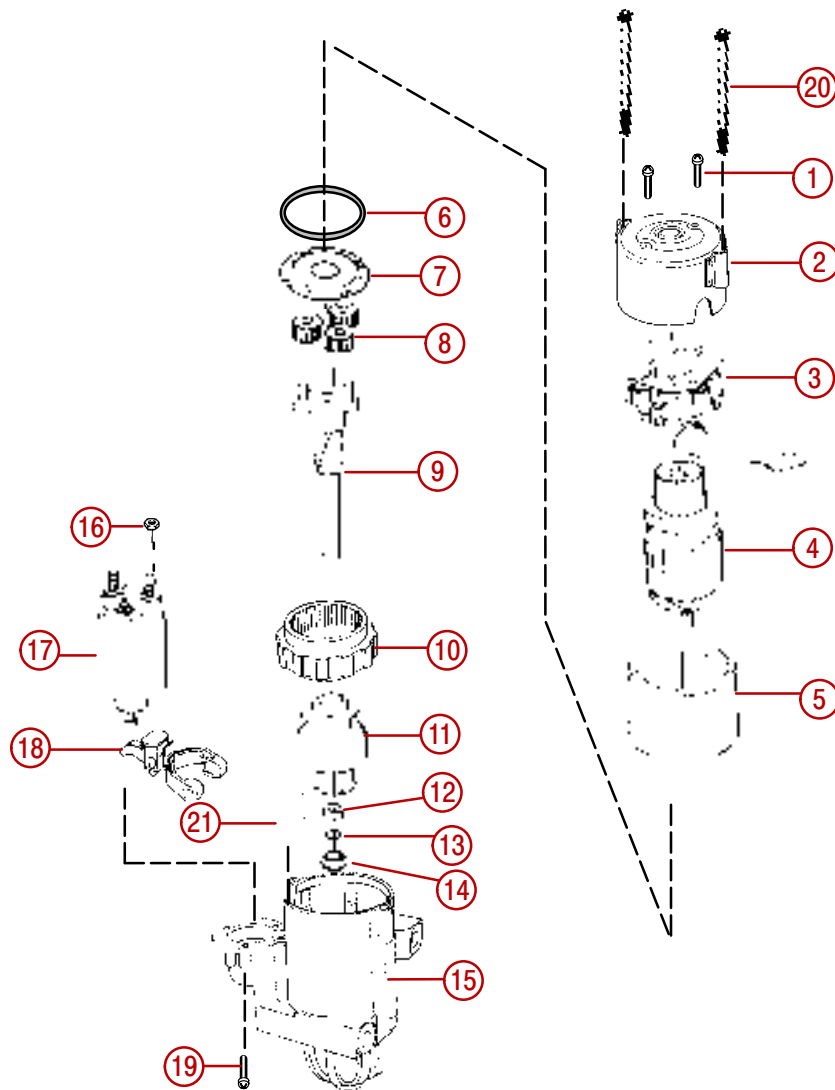
The Delco PG260 starter motor features small permanent magnets mounted inside the field frame. These magnets take the place of current-carrying field coils mounted on iron pole pieces. Internal gear reduction, approximately 4 to 1, through planetary gears results in armature speeds in the 7000 rpm range. The armature and drive shaft are mounted on roller or ball bearings in place of bushings. The solenoid switch, plunger, return spring, and shift lever are permanently mounted in the drive housing.

### CAUTION

The starter motor is designed to operate under great overload and produce a high horsepower for its size. It can do this only for a short time, since considerable heat accumulates and can cause serious damage. For this reason, the cranking motor must never be used for more than 30 seconds at any one time. Cranking should not be repeated without a pause of at least 2 minutes to permit the heat to escape.



# PG260 Exploded View



74270

- 1 - Screw (2)
- 2 - End Cap
- 3 - Brush With Holder
- 4 - Armature
- 5 - Field Frame (With Permanent Magnets)
- 6 - Washer
- 7 - Shield
- 8 - Planetary Gears
- 9 - Shaft
- 10 - Gear
- 11 - Drive
- 12 - Collar
- 13 - Retaining Ring
- 14 - Trust Collar
- 15 - Drive Housing
- 16 - Nut
- 17 - Solenoid
- 18 - Solenoid Drive Arm
- 19 - Screw (3)
- 20 - Screw (2)
- 21 - Rubber Grommet

# Starter Motor Repair

## Removal

### ⚠ WARNING

Disconnect battery cables at battery before removing starter.

1. Disconnect battery cables from battery.
2. Disconnect wires from solenoid terminals.

**IMPORTANT:** Some starter motors may use a special mounting shim for gaining flywheel clearance. Do not lose this shim; it will be needed when remounting starter on engine block.

3. Remove starter mounting bolts.
4. Pull starter assembly away from flywheel and remove from engine.

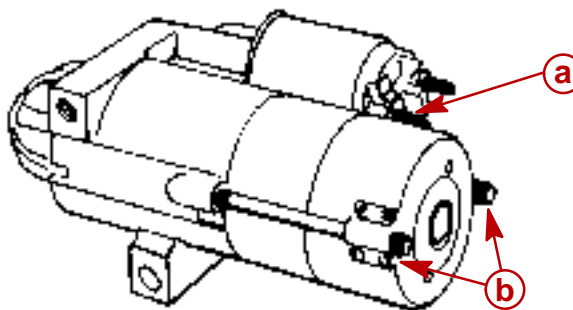


74523

**a** - Starter Bracket (If So Equipped)

## Disassembly

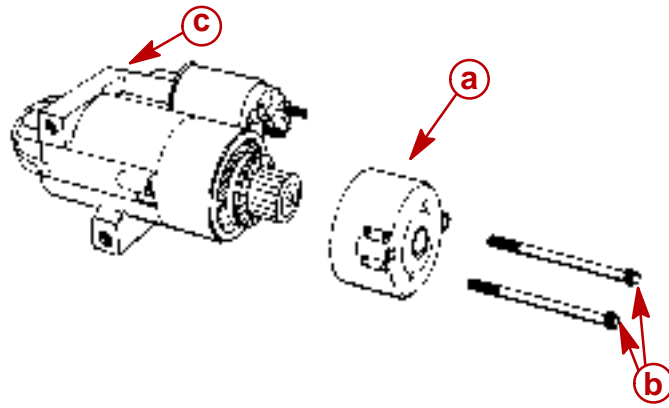
1. Remove brush lead from solenoid and screws from end frame.



74041

**a** - Brush Lead  
**b** - Screws

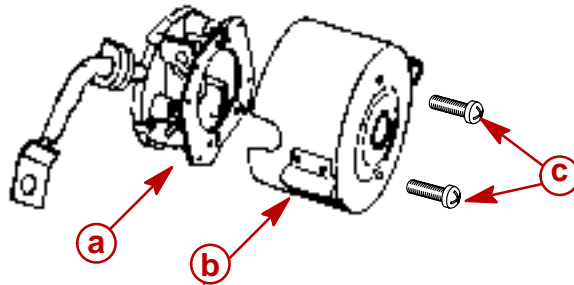
- Remove through bolts and separate end frame from field frame and end cap.



74040

- a** - End Cap
- b** - Through Bolt
- c** - Drive Housing

- Remove brush holder from end cap.

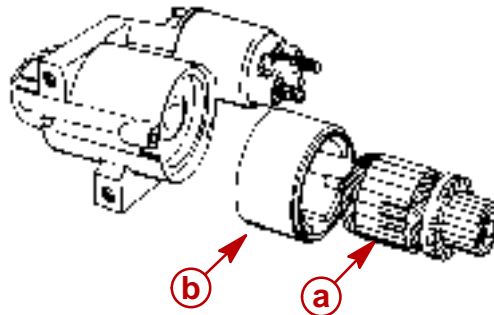


74037

- a** - Brush Holder
- b** - End Cap
- c** - Screws (2)

- Remove armature and field frame from drive housing.
- Pull armature out of field frame.

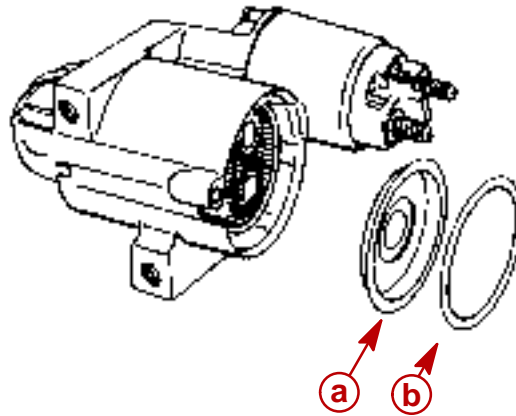
**NOTE:** Permanent magnets inside field frame will be holding armature in place.



74086

- a** - Armature
- b** - Field Frame

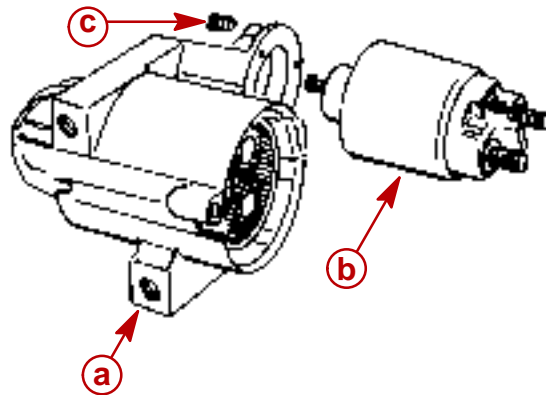
6. Remove shield and washer.



74038

- a** - Shield
- b** - Washer

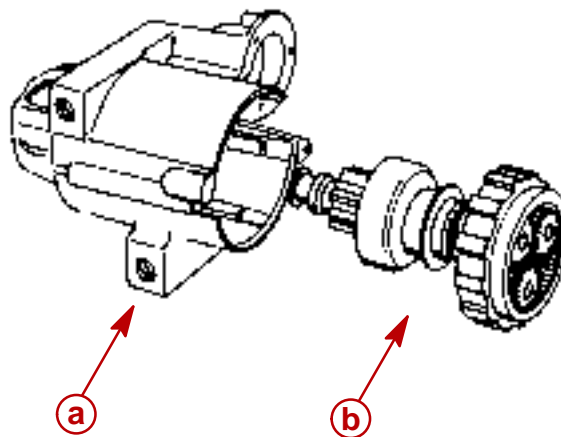
7. Remove the three screws retaining the solenoid. Remove solenoid from drive housing.



74036

- a** - Drive Housing
- b** - Solenoid
- c** - Screws (3)

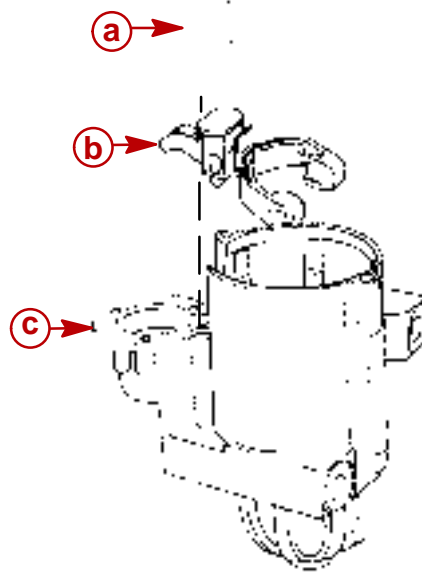
8. Remove drive and associated parts from drive housing.



74035

- a** - Drive Housing
- b** - Drive

9. Remove solenoid arm and rubber grommet from the drive housing.



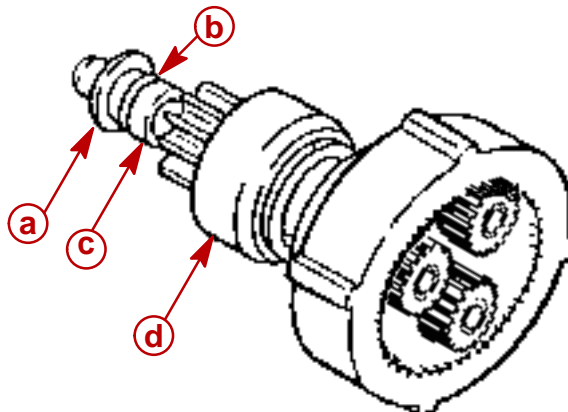
74105

74048

74018

- a** - Rubber Grommet
- b** - Solenoid
- c** - Drive Housing

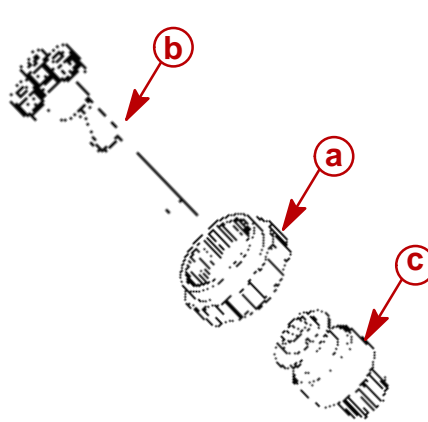
10. Remove thrust collar, retaining ring and collar from planetary shaft.



74016

- a** - Thrust Collar
- b** - Retaining Ring
- c** - Collar
- d** - Drive

11. Remove drive and gear from planetary shaft.



74087

- a - Gear
- b - Planetary Gear Shaft Assembly
- c - Drive

## Cleaning and Inspection

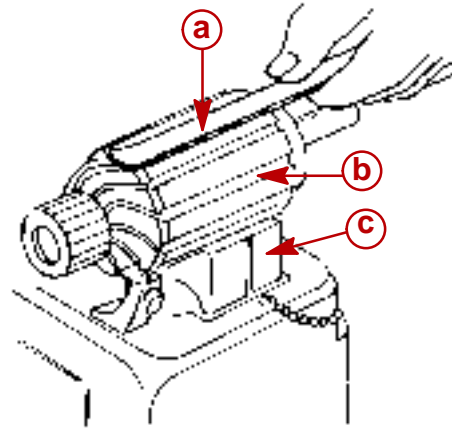
**IMPORTANT: Do not use grease dissolving solvents to clean electrical components, planetary gears, or drive. Solvent will damage insulation and wash the lubricant out of the drive and gears. Use clean rags and compressed air to clean components.**

1. Test over-running clutch action of drive. Pinion should turn freely in over-running direction and must not slip in cranking direction. Check pinion teeth. Check spring for tension and drive collar for wear. Replace if necessary.
2. Check that brush holders are not damaged or bent and hold brushes against commutator. Check brushes for wear; refer to "Brushes and Brush Holder."
3. Inspect armature commutator. If badly grooved or out-of-round, turn down and undercut commutator.
4. Inspect all roller bearing surfaces for wear. Check that bearings roll freely. If any roughness is felt, replace bearings.
5. Inspect planetary gear assembly. Gears must mesh easily and roll freely with no binding.

## Armature Tests

### TEST FOR SHORTS

Check armature for shorts by placing on growler and holding hacksaw blade over armature core while rotating armature. If saw blade vibrates, armature is shorted. After cleaning between commutator bars, recheck. If saw blade still vibrates, replace armature.

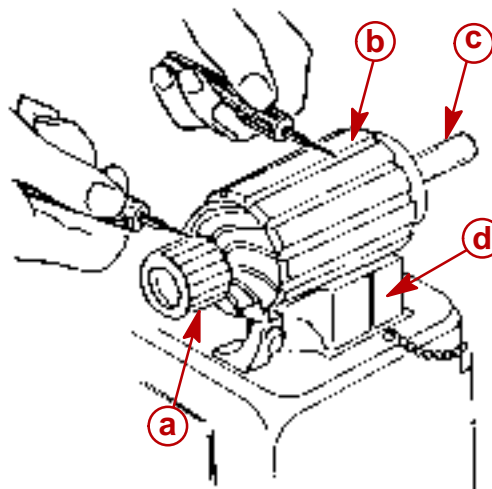


01440

- a** - Hacksaw Blade
- b** - Armature Cover
- c** - Growler

### TEST FOR GROUND

1. With continuity meter, place one lead on armature core or shaft and other lead on commutator.
2. If meter hand moves, armature is grounded and must be replaced.



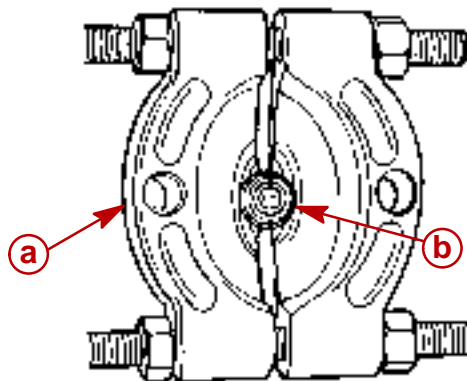
01441

- a** - Commutator
- b** - Armature Core
- c** - Shaft
- d** - Growler

## Armature Bearing (Commutator End)

### REMOVAL

Use a universal puller plate, as shown, to remove bearing.



72068

- a** - Universal Puller Plate
- b** - Bearing

### INSTALLATION

**IMPORTANT: Brush holder must be installed on armature before installing armature bearing.**

Using the correct size driver, press on inner bearing race until it contacts shoulder of armature shaft.

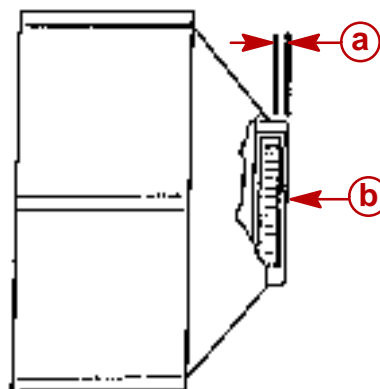
## Gear Bearing

### REMOVAL

Using the correct size driver, press bearing out of gear.

### INSTALLATION

- Using the correct size driver, press bearing into gear, from direction shown, to depth specified.



72625

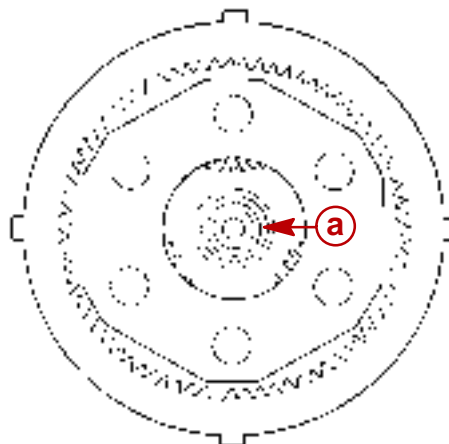
- a** - Depth - .011-.014 in. (0.28-0.38 mm)
- b** - Installation Direction



- Lubricate bearing and gear teeth with a small amount of Quicksilver 2-4-C Marine Lubricant with Teflon.

## Shaft Assembly Bearing

**IMPORTANT:** Roller bearing is not replaceable. If bearing is defective, replace entire shaft assembly. Apply Quicksilver 2-4-C Marine Lubricant with Teflon to bearing before starter reassembly.



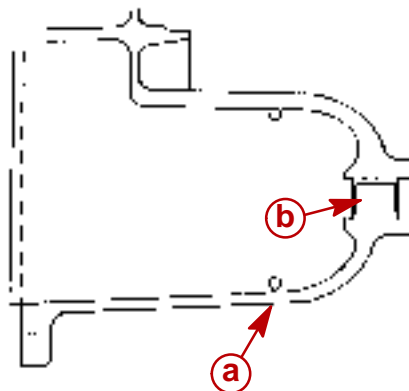
72070

**a** - Roller Bearing

## Drive End Housing Bearing

### REMOVAL

Using the correct size driver, press bearing out of housing.

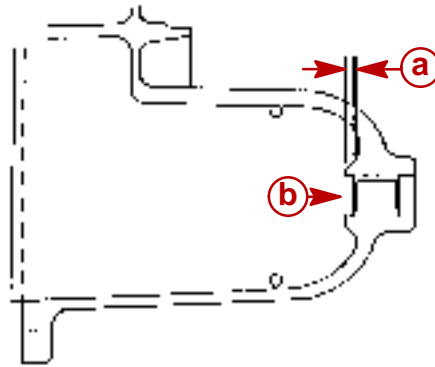


72626

**a** - Drive End Housing  
**b** - Bearing

## INSTALLATION

- Using the correct size driver, press bearing into housing, from direction shown, to depth specified.



72626

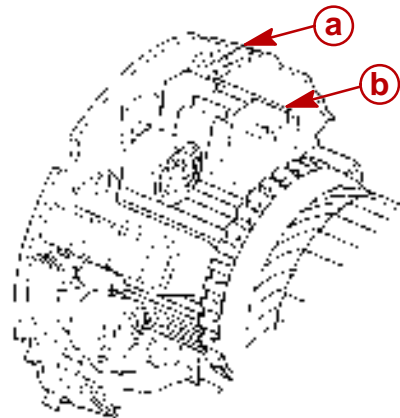
- a** - Depth - .009-.017 in. (0.25-0.45 mm)  
**b** - Installation Direction

- Lubricate bearing with a small amount of Quicksilver 2-4-C Marine Lubricant with Teflon.

## Brushes and Brush Holder

### INSPECTION

Replace brushes and holder when brush leads are touching guide.  
 Make sure brushes move freely in guides.



72069

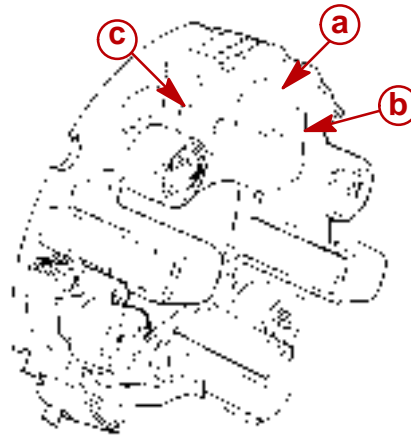
- a** - Brush Leads  
**b** - Guide

## REMOVAL

- Remove armature bearing as previously described.
- Remove brush holder.

**INSTALLATION**

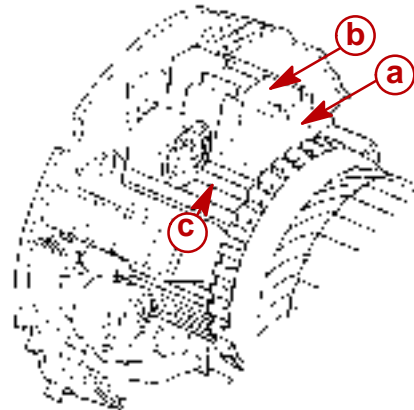
1. Push each brush up into its guide to allow spring to hold it in place, as shown.



72072

- a** - Brush
- b** - Guide
- c** - Brush Spring

2. Place brush holder on armature and push brushes down against commutator, as shown.



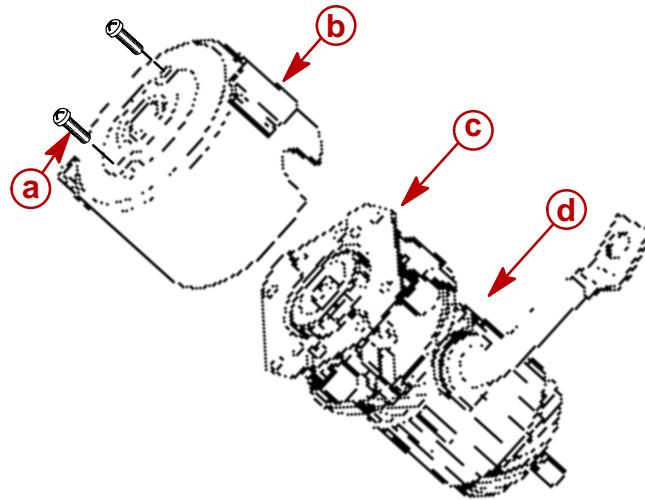
72069

- a** - Brush Holder
- b** - Brush
- c** - Commutator

3. Install armature bearing as previously described.

## Reassembly

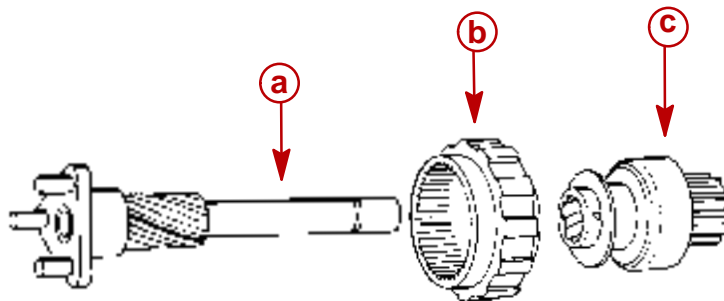
1. Install end frame on brush holder. Align holes of end frame with holes of brush holder. Tighten screws securely.



76250

- a** - Screw (2)
- b** - End Cap
- c** - Brush Holder
- d** - Armature

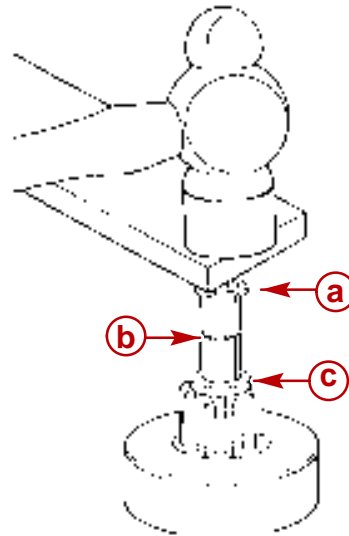
2. Install gear and drive over planetary shaft.



74087

- a** - Planetary Shaft
- b** - Gear
- c** - Drive

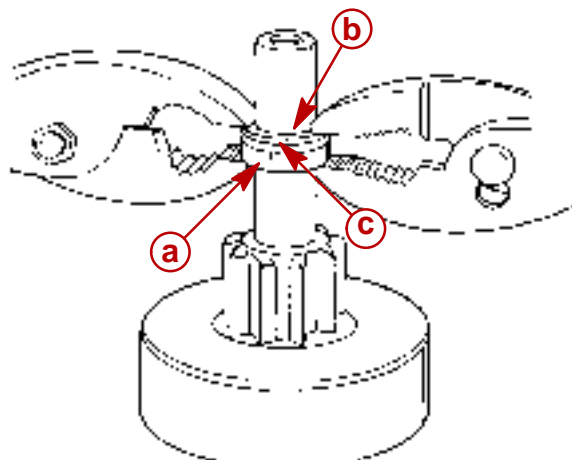
3. Assemble drive on shaft assembly as follows:
  - a. Lubricate drive end of shaft assembly with SAE 10W oil.
  - b. Place gear over shaft.
  - c. Slide drive assembly onto shaft with pinion facing outward.
  - d. Slide retainer onto shaft with cupped surface facing end of shaft (away from pinion).
  - e. Position snap ring on upper end of shaft and hold in place with block of wood. Strike wood block with hammer, thus forcing snap ring over end of shaft. Slide snap ring down into groove.



72073

- a** - Snap Ring
- b** - Groove
- c** - Retainer

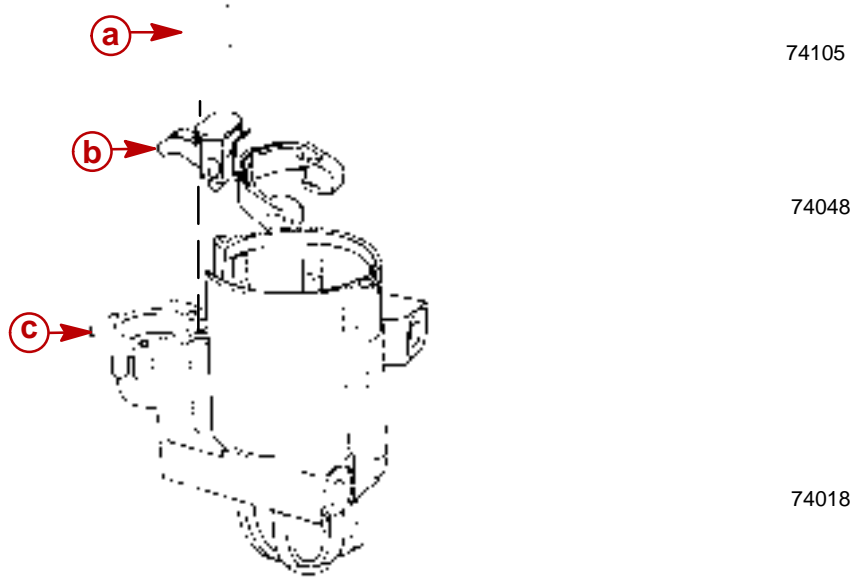
- f. Assemble thrust collar on shaft with shoulder next to snap ring.
- g. Position retainer and thrust collar next to snap ring. Then, using two pliers, grip retainer and thrust collar and squeeze until snap ring is forced into retainer.



72074

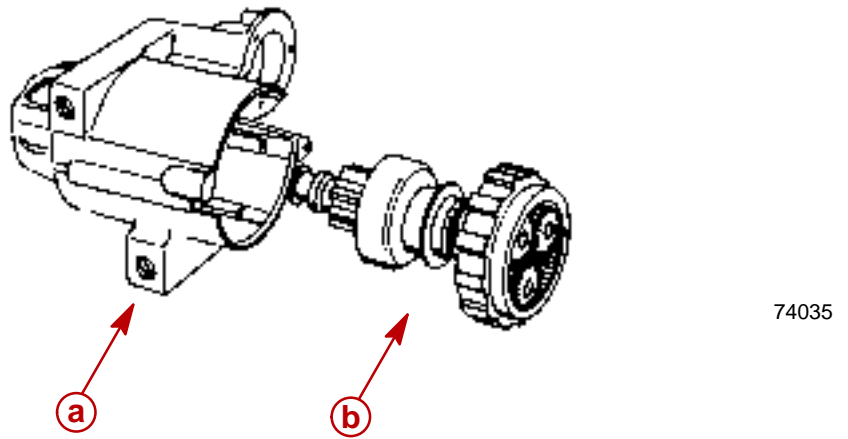
- a** - Retainer
- b** - Thrust Collar
- c** - Snap Ring

4. Install the planetary gears on planetary shaft.
5. Install solenoid arm and rubber grommet in the drive housing.



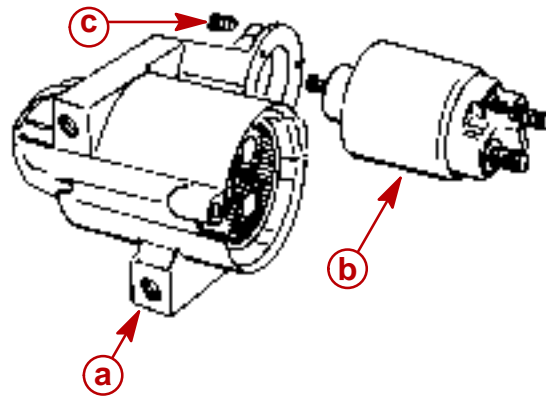
- a** - Rubber Grommet
- b** - Solenoid
- c** - Drive Housing

6. Install drive and associated parts in drive housing.



- a** - Drive Housing
- b** - Drive

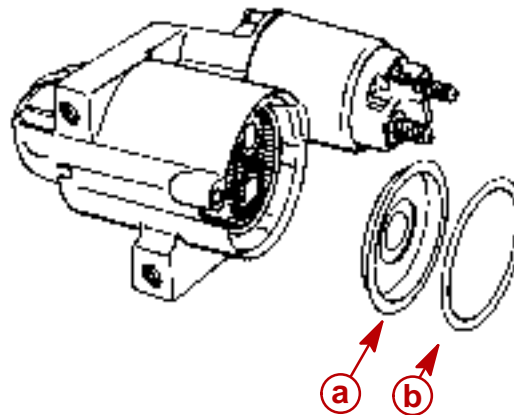
7. Place solenoid in drive housing and tighten screws.



74036

- a** - Drive Housing
- b** - Solenoid
- c** - Screw (3)

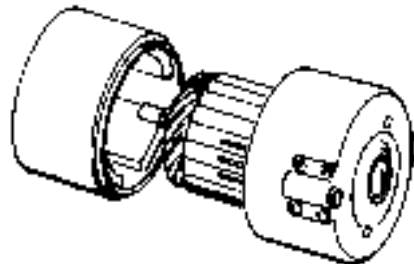
8. Install shield and washer in drive housing.



74038

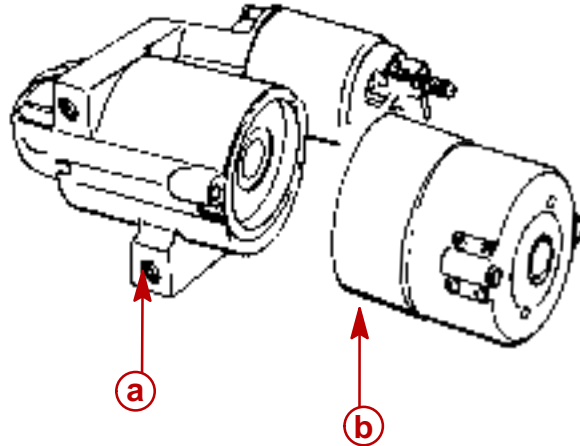
- a** - Shield
- b** - Washer

9. Install field frame over armature. Align slot in end cap and field frame for proper positioning of rubber grommet.



76251

10. Install field frame and end cap in drive housing align slots in field frame with recess in drive housing.



76252

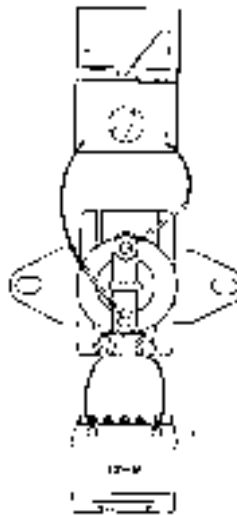
- a** - Drive Housing
- b** - End Cap and Field Frame

11. Install through bolts and brush lead. Tighten fasteners securely.

## Starter Solenoid

### Testing/Replacement

1. Using continuity meter, connect test leads as shown, and connect 12 volt battery with jumper leads as shown.



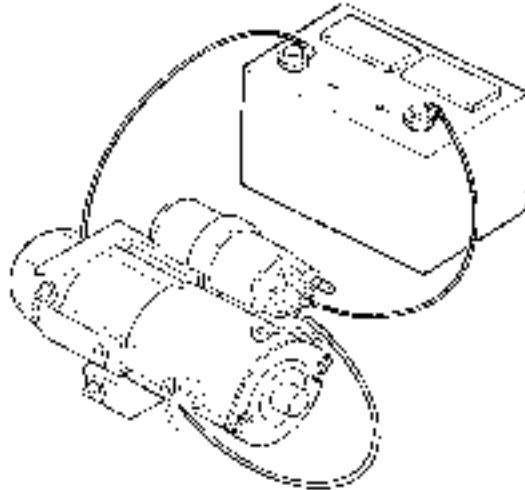
72630

- a** - Brush Lead

2. If no meter movement is present, replace solenoid.
3. Install through bolts and brush lead. Tighten fasteners securely.
4. Connect 12 volt battery positive (+) lead to solenoid switch terminal and negative (-) lead to solenoid frame.

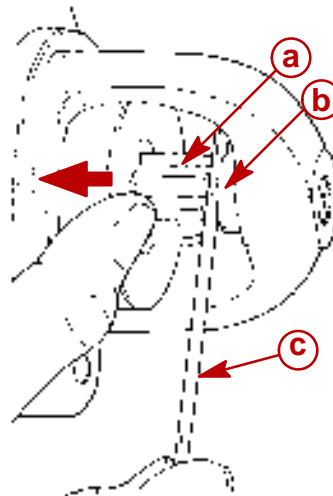


5. Momentarily touch a jumper lead from solenoid motor to starter motor frame. This shifts pinion into cranking position where it will remain until battery is disconnected.



72629

6. Push pinion back toward commutator end to eliminate slack.
7. Measure distance between pinion and pinion retainer.
8. If clearance is not within limits of .010-.160 in. (0.25-4.00 mm), it may indicate excessive wear of solenoid linkage, shift lever yoke, or improper assembly of shift lever mechanism. Replace worn or defective parts, since no provision is made for adjusting pinion clearance.



72077

- a** - Pinion
- b** - Retainer
- c** - Feeler Gauge

## Installation

**IMPORTANT: Install special mounting shim (if equipped) between starter motor and engine block.**

1. Place starter motor in position and install mounting bolts. Torque bolts to 30 lb-ft (41 Nm).
2. Connect YELLOW/RED wire to terminal S of solenoid. Connect ORANGE wire, RED wire, and battery cable to large terminal of solenoid. Tighten fasteners securely. Coat terminals with Quicksilver Liquid Neoprene. Install battery cable boot, if so equipped.
3. Connect battery cables to battery in the following order. Connect positive (+) cable to positive (+) battery terminal and tighten cable clamp. Then connect negative (-) cable to negative (-) terminal and tighten clamp.

# PG260F1 Starter Motor

## PG260F1 Specifications

Delco I.D. Number	MerCruiser Part Number
9000839 - 9000840	50-807904

Engine Rotation	No Load Test					Brush Spring Tension Oz. (Grams)
	Volts	Min. Amps	Max. Amp	Min. rpm	Max. rpm	
LH	11.5	40	90	3200	4800	
Brush Spring Length			Length New - 0.36 - 0.42 in. (9.2 - 10.7 mm) Length Used - 0.18 - 0.23 in. (4.62 - 5.98 mm)			
Pinion Clearance			0.009 - 0.160 in. (0.23-4.06 mm)			
Bearing Depth (Gear)			Flush - Inside			
Bearing Depth (Housing)			.009-.017 (0.4mm) Maximum			

## Torque Specifications

Fastener Location	lb-ft	Nm
Starter Mounting Bolts	30	41
All Other Fasteners	Tighten Securely	

## Lubricants/Sealants

Description	Part Number
Quicksilver Liquid Neoprene	92-25711--3
Quicksilver 2-4-C Marine Lubricant With Teflon	92-825407A3

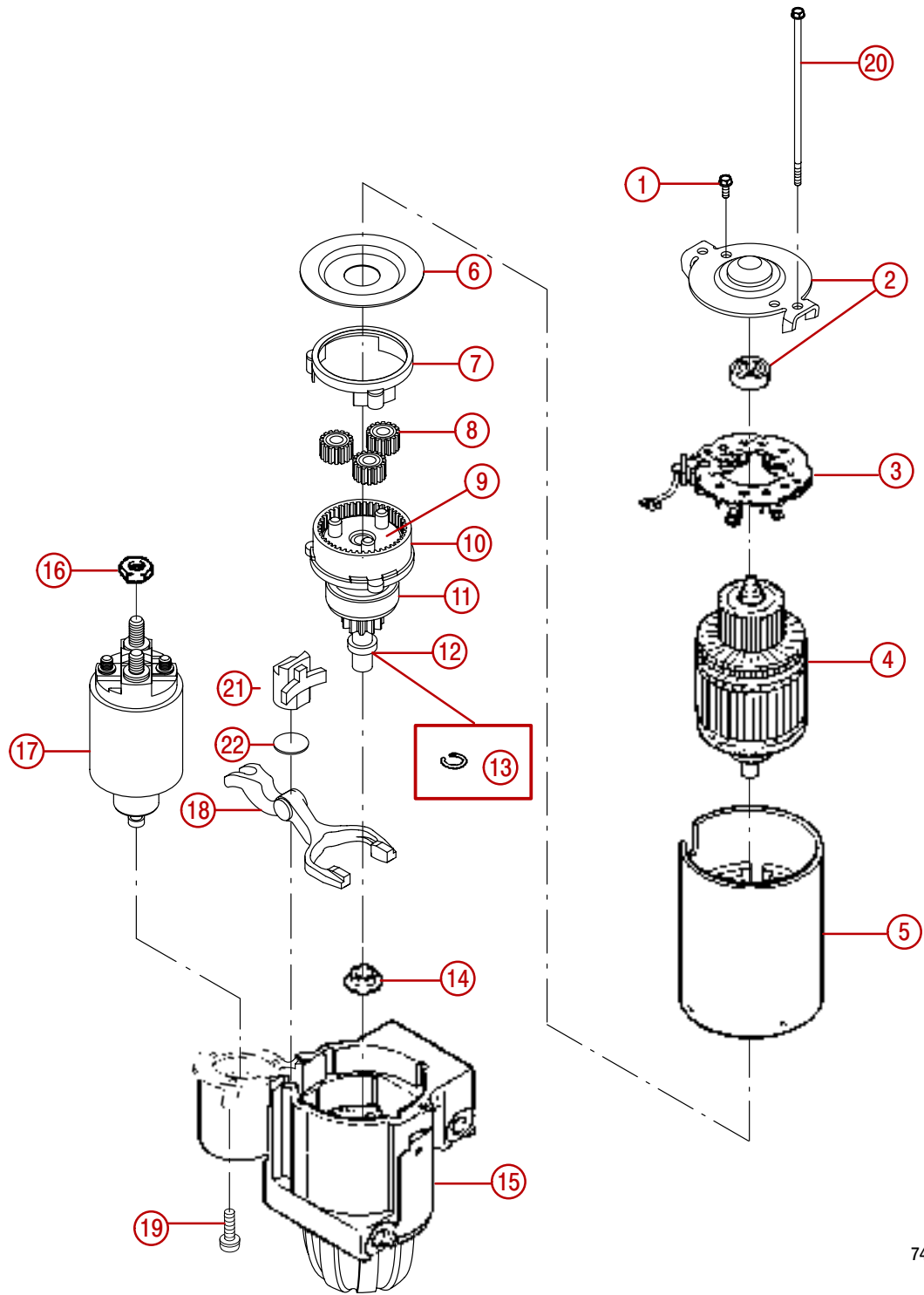
## Description

The Permanent Magnet Gear Reduction (PG200 and PG250) starter motors feature small permanent magnets mounted inside the field frame (NOTE: The actual configuration of these magnets differs between the PG200, PG250 and PG260; the field frames with permanent magnets are not interchangeable. Otherwise, the units are similar.) These magnets take the place of current-carrying field coils mounted on iron pole pieces. Internal gear reduction, approximately 4 to 1, through planetary gears results in armature speeds in the 7000 rpm range. The armature and drive shaft are mounted on roller or ball bearings in place of bushings. The solenoid switch, plunger, return spring, and shift lever are permanently mounted in the drive housing.

### CAUTION

The starter motor is designed to operate under great overload and produce a high horsepower for its size. It can do this only for a short time, since considerable heat accumulates and can cause serious damage. For this reason, the cranking motor must never be used for more than 30 seconds at any one time. Cranking should not be repeated without a pause of at least 2 minutes to permit the heat to escape.

# Exploded View



74270

- 1 - Screw (2)
- 2 - End Frame and Bearing
- 3 - Brush With Holder
- 4 - Armature
- 5 - Field Frame (With Permanent Magnets)
- 6 - Washer
- 7 - Shield
- 8 - Planetary Gears
- 9 - Shaft
- 10 - Gear
- 11 - Drive
- 12 - Collar
- 13 - Retaining Ring
- 14 - Trust Collar
- 15 - Drive Housing
- 16 - Nut
- 17 - Solenoid
- 18 - Solenoid Drive Arm
- 19 - Screw (3)
- 20 - Long Screw (2)
- 21 - Rubber Grommet
- 22 - Metal Disc

## Starter Motor Repair

### Removal

#### ⚠ WARNING

**Disconnect battery cables at battery before removing starter.**

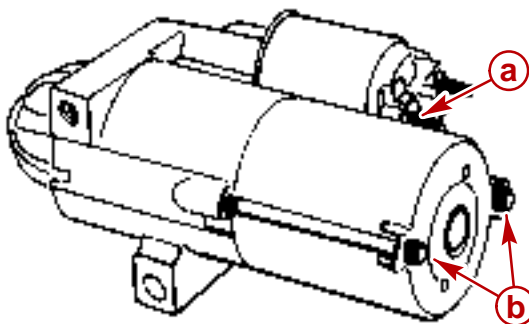
1. Disconnect battery cables from battery.
2. Disconnect wires from solenoid terminals.

**IMPORTANT: Some starter motors may use a special mounting shim for gaining flywheel clearance. Do not lose this shim; it will be needed when remounting starter on engine block.**

3. Remove starter mounting bolts.
4. Pull starter assembly away from flywheel and remove from engine.

### Disassembly

1. Remove brush lead from solenoid and long screws from end frame.

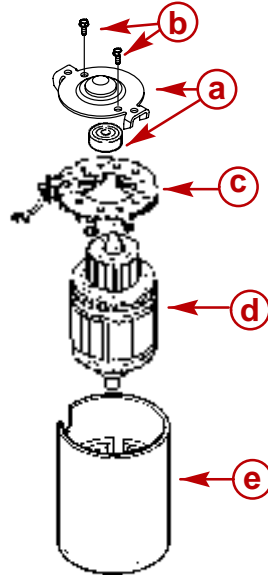


- a** - Brush Lead
- b** - Screws

75820

2. Separate end frame from field frame.
3. Remove brush holder from end frame.
4. Remove armature and field frame from drive housing.
5. Pull armature out of field frame.

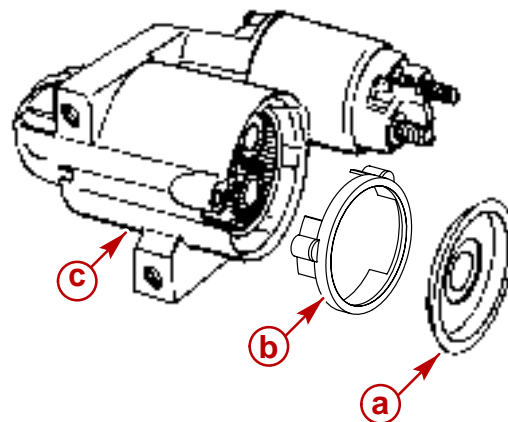
**NOTE:** Permanent magnets inside field frame will be holding armature in place.



74270

- a-** End Frame and Bearing
- b-** Screws (2)
- c-** Brush Holder
- d-** Armature
- e-** Field Frame

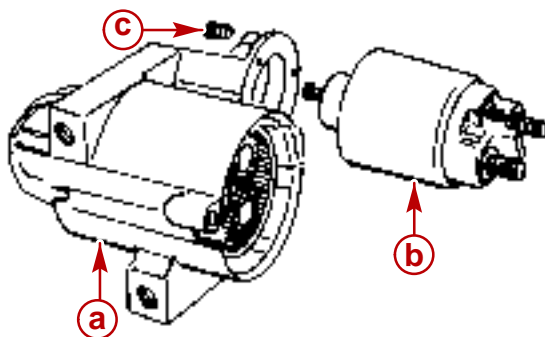
6. Remove shield and washer from drive housing.



74038

- a-** Shield
- b-** Washer
- c-** Drive Housing

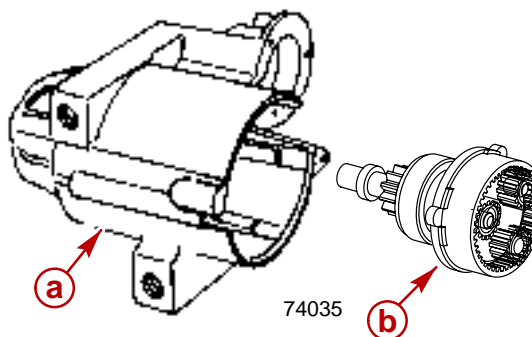
7. Remove the three screws retaining the solenoid. Remove solenoid from drive housing.



74036

- a-** Drive Housing
- b-** Solenoid
- c-** Screws (3)

8. Remove drive and associated parts from drive housing.

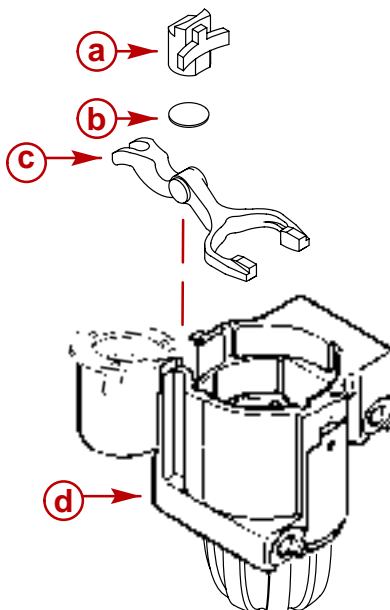


74035

75821

- a-** Drive Housing
- b-** Drive

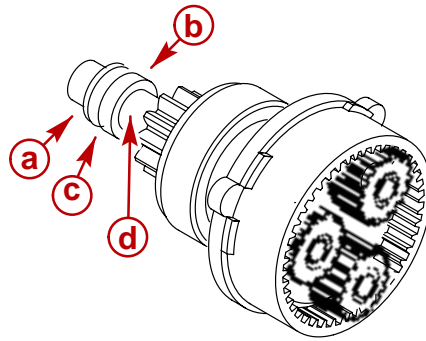
9. Remove solenoid arm, metal disc and rubber grommet from the drive housing.



75821

- a-** Rubber Grommet
- b-** Metal Disc
- c-** Solenoid Arm
- d-** Drive Housing

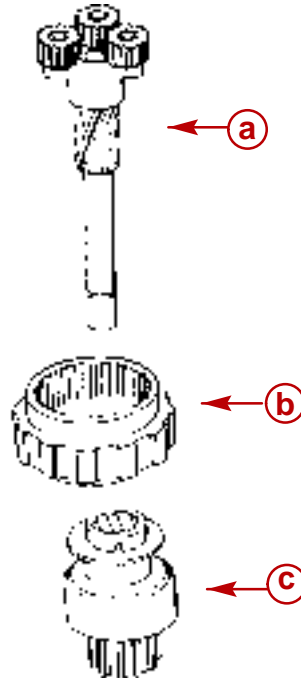
10. Remove thrust collar, retaining ring and collar from planetary shaft with drive.



75821

- a-** Thrust Collar
- b-** Retaining Ring (Inside Collar)
- c-** Collar
- d-** Planetary Shaft and Drive

11. Remove drive and gear from planetary shaft.



74087

**Typical**

- a-** Gear
- b-** Planetary Gear Shaft Assembly
- c-** Drive



## Cleaning and Inspection

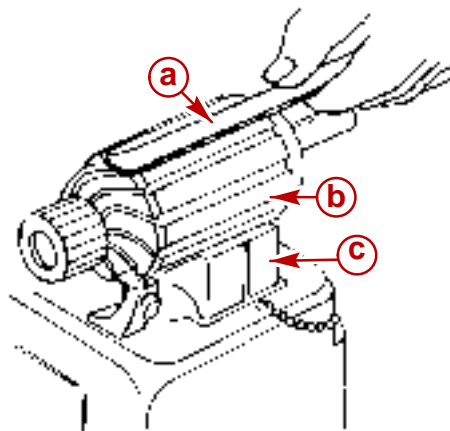
**IMPORTANT: Do not use grease dissolving solvents to clean electrical components, planetary gears, or drive. Solvent will damage insulation and wash the lubricant out of the drive and gears. Use clean rags and compressed air to clean components.**

1. Test over-running clutch action of drive. Pinion should turn freely in over-running direction and must not slip in cranking direction. Check pinion teeth. Check spring for tension and drive collar for wear. Replace if necessary.
2. Check that brush holders are not damaged or bent and hold brushes against commutator. Check brushes for wear.
3. Inspect armature commutator. If badly grooved or out-of-round, turn down and undercut commutator.
4. Inspect all roller bearing surfaces for wear. Check that bearings roll freely. If any roughness is felt, replace bearing.
5. Inspect planetary gear assembly. Gears must mesh easily and roll freely with no binding.

## Armature Tests

### TEST FOR SHORTS

Check armature for shorts by placing on growler and holding hack saw blade over armature core while rotating armature. If saw blade vibrates, armature is shorted. After cleaning between commutator bars, recheck. If saw blade still vibrates, replace armature.

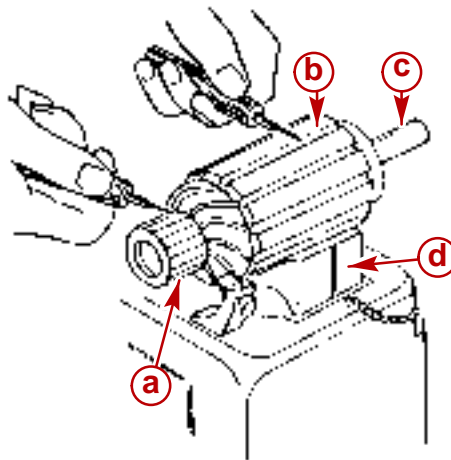


- a** - Hacksaw Blade
- b** - Armature Core
- c** - Growler

01440

## TEST FOR GROUND

1. With continuity meter, place one lead on armature core or shaft and other lead on commutator.
2. If meter hand moves, armature is grounded and must be replaced.

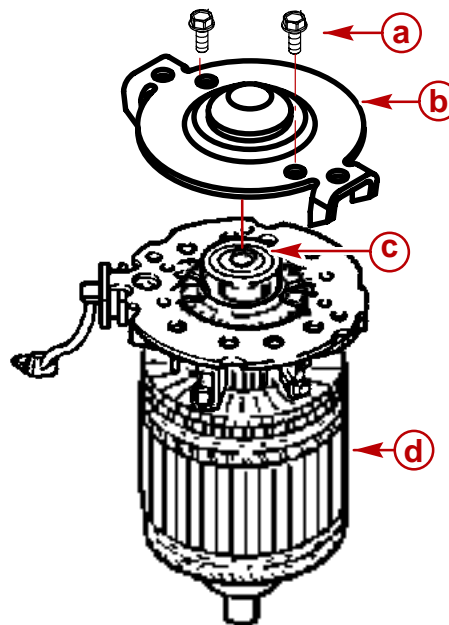


- a**- Commutator
- b**- Armature Core
- c**- Shaft
- d**- Growler

01441

## Reassembly

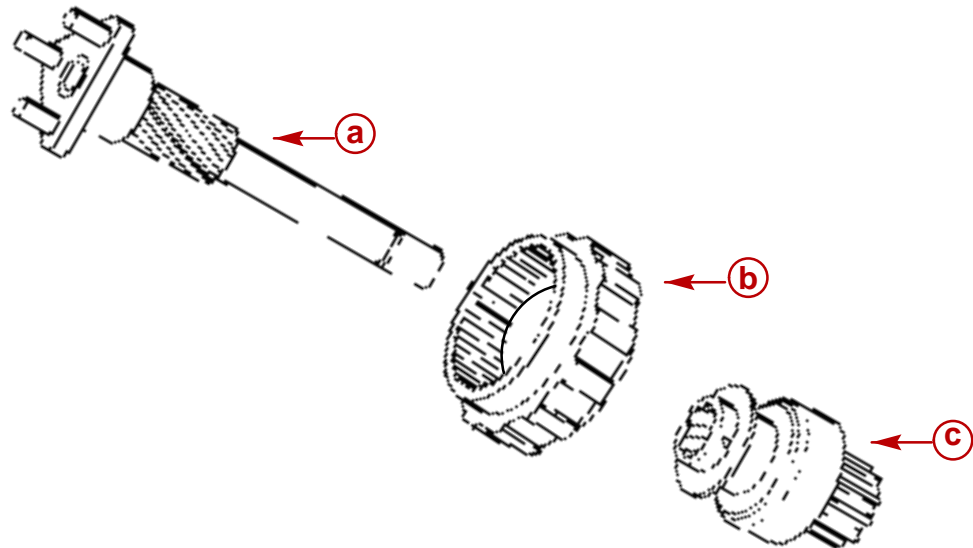
1. Install brush holder and bearing on armature.
2. Align brush lead grommet with field frame cut-out. Align holes of end frame with holes of brush holder and drive housing. Install end frame on brush holder. Tighten screws securely.



- a**- Screw (2)
- b**- End Frame
- c**- Brush Holder
- d**- Armature

75821

3. Install gear and drive over planetary shaft.

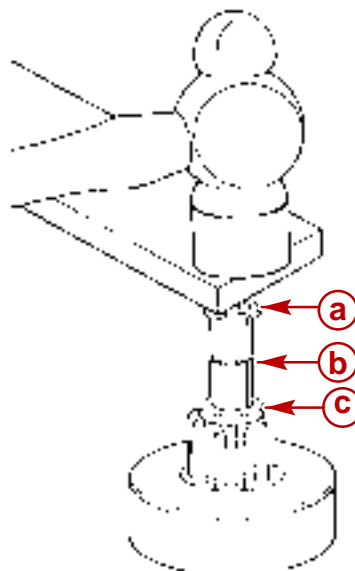


74087

### Typical

- a-** Planetary Gear Shaft Assembly
- b-** Gear
- c-** Drive

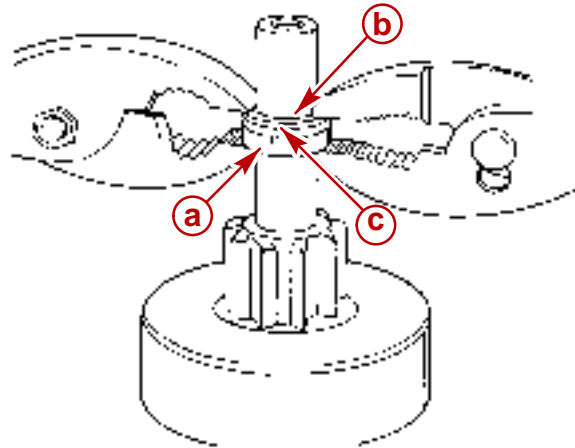
4. Assemble drive on shaft assembly as follows:
  - a. Lubricate drive end of shaft assembly with SAE 10W oil.
  - b. Place gear over shaft.
  - c. Slide drive assembly onto shaft with pinion facing outward.
  - d. Slide retainer onto shaft with cupped surface facing end of shaft (away from pinion).
  - e. Position snap ring on upper end of shaft and hold in place with block of wood. Strike wood block with hammer, thus forcing snap ring over end of shaft. Slide snap ring down into groove.



72073

- a-** Snap Ring
- b-** Groove
- c-** Retainer

- f. Assemble thrust collar on shaft with shoulder next to snap ring.
- g. Position retainer and thrust collar next to snap ring. Then, using two pliers, grip retainer and thrust collar and squeeze until snap ring is forced into retainer.

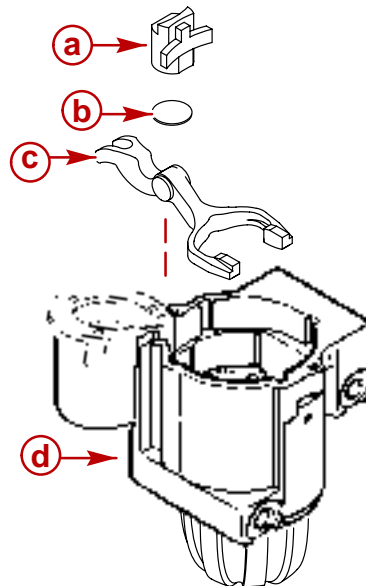


72074

- a** - Retainer
- b** - Thrust Collar
- c** - Snap Ring

5. Install the planetary gears on planetary shaft.
6. Install solenoid arm, metal disc and rubber grommet in the drive housing.

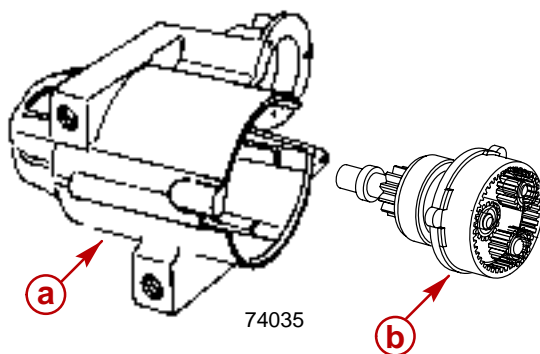
**NOTE:** Solenoid arm is designed to fit only one way. Do not use force.



75821

- a** - Rubber Grommet
- b** - Metal Disc
- c** - Solenoid Arm
- d** - Drive Housing

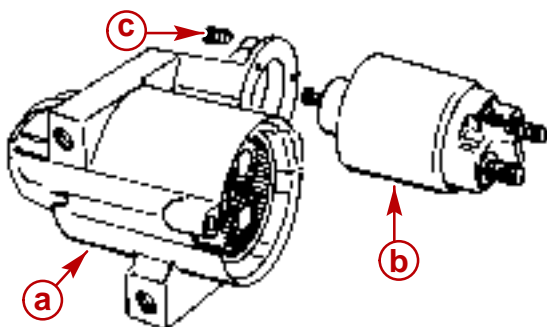
7. Install drive and associated parts in drive housing.



75821

- a** - Drive Housing
- b** - Drive

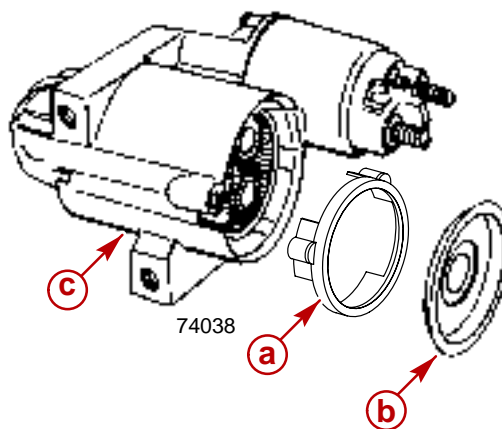
8. Attach solenoid arm to solenoid. Place solenoid in drive housing and tighten screws.



74036

- a** - Drive Housing
- b** - Solenoid
- c** - Screw (3)

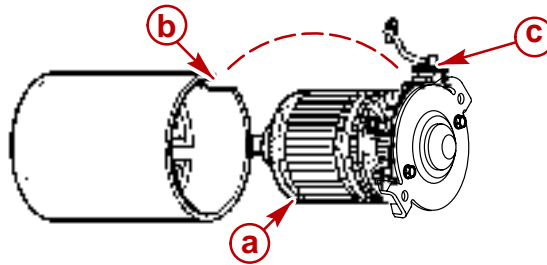
9. Install washer and shield in drive housing.



75821

- a** - Washer
- b** - Shield
- c** - Drive Housing

10. Install field frame over armature. Align slot in field frame with rubber grommet.

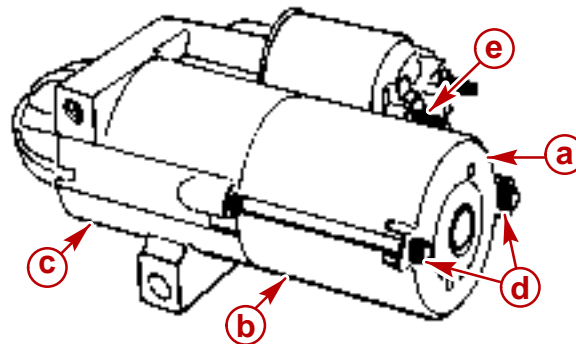


75821

- a**- Armature
- b**- Field Frame Slot
- c**- Rubber Grommet

11. Install field frame and end frame in drive housing.

12. Install long screws and brush lead. Tighten fasteners securely.



75821

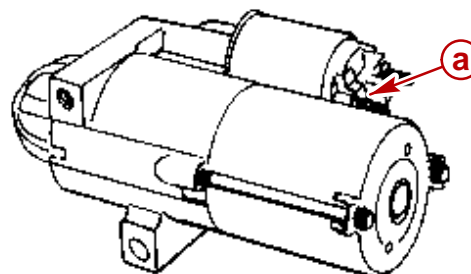
- a**- End Frame
- b**- Field Frame
- c**- Drive Housing
- d**- Long Screws
- e**- Brush Lead

## Starter Solenoid

### TESTING / REPLACEMENT

Pinion clearance must be checked after reassembly of starter motor.

1. Disconnect brush lead from solenoid motor and insulate it carefully.

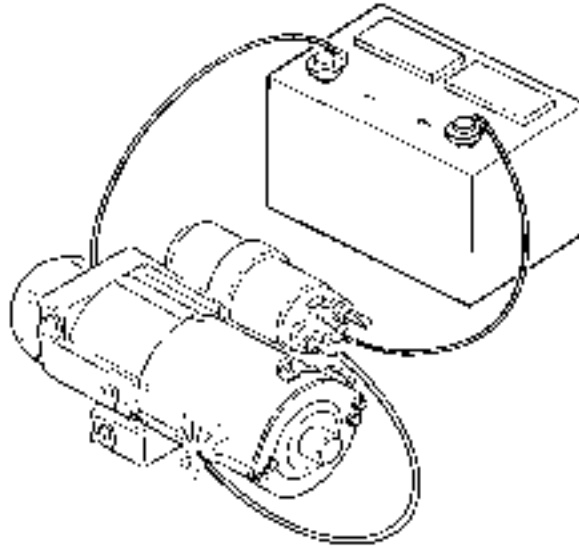


74041

- a**- Brush Lead

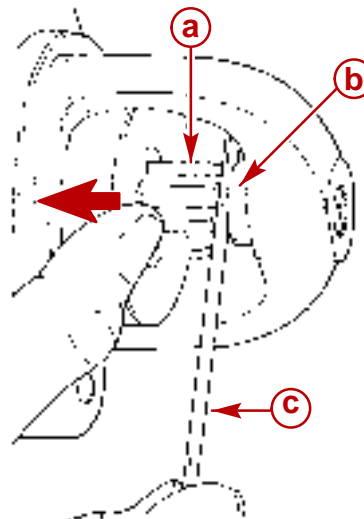
2. Connect 12 volt battery positive (+) lead to battery terminal and negative (-) lead to frame.

3. Momentarily touch a jumper lead from battery terminal to switch terminal. This shifts pinion into cranking position where it will remain until battery is disconnected.



72629

4. Push pinion back toward commutator end to eliminate slack.
5. Measure distance between pinion and pinion retainer.
6. If clearance is not within limits of .010-.160 in. (0.25-4.00 mm), it may indicate excessive wear of solenoid linkage, shift lever yoke, or improper assembly of shift lever mechanism. Replace worn or defective parts, since no provision is made for adjusting pinion clearance.



72077

- a-** Pinion
- b-** Retainer
- c-** Feeler Gauge

## Installation

**IMPORTANT: Install special mounting shim (if equipped) between starter motor and engine block.**

1. Place starter motor in position and install mounting bolts. Torque bolts to 30 lb-ft (41 Nm).
2. Connect YELLOW/RED wire to terminal S of solenoid. Connect ORANGE wire, RED wire, and battery cable to large terminal of solenoid. Tighten fasteners securely. Coat terminals with Quicksilver Liquid Neoprene. Install battery cable boot, if so equipped.
3. Connect battery cables to battery in the following order. Connect positive (+) cable to positive (+) battery terminal and tighten cable clamp. Then connect negative (–) cable to negative (–) terminal and tighten clamp.



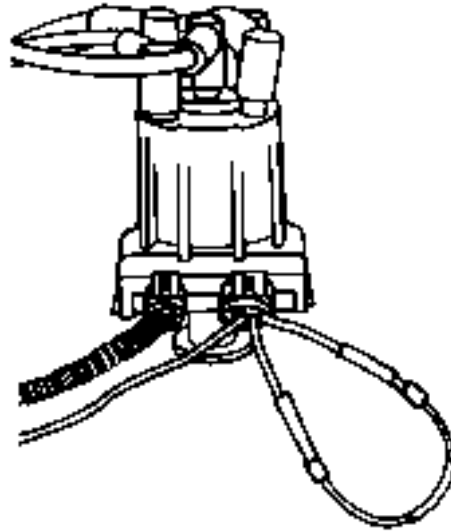
# ELECTRICAL SYSTEM

## Section 4B - Ignition System

### Table of Contents

Identification .....	4B-2	Cleaning And Inspection .....	4B-7
Replacement Parts Warning .....	4B-2	Spark Plugs .....	4B-7
Torque Specifications .....	4B-2	Spark Plug Wires .....	4B-7
Tools .....	4B-3	Distributor Cap and Rotor .....	4B-8
Special Tools .....	4B-3	Distributor Installation .....	4B-8
Lubricants/Sealants/Adhesives .....	4B-3	Engine Not Disturbed .....	4B-8
Specifications .....	4B-4	Engine Disturbed .....	4B-9
Timing .....	4B-4	Ignition Timing .....	4B-9
Spark Plugs .....	4B-4	Component Tests .....	4B-12
GM 4-Cylinder In-line Firing .....	4B-4	Testing Ignition Module .....	4B-12
Description .....	4B-5	Testing Ignition Coil .....	4B-13
Precautions .....	4B-6	Testing Pickup Coil .....	4B-13
		Advance Curve .....	4B-15

# Identification



70103

DELCO EST (Electric Spark Timing)

## Replacement Parts Warning

### **⚠ WARNING**

Electrical, ignition and fuel system components on your MerCruiser are designed and manufactured to comply with U.S. Coast Guard Rules and Regulations to minimize risks of fire and explosion.

Use of replacement electrical, ignition or fuel system components, which do not comply with these rules and regulations, could result in a fire or explosion hazard and should be avoided.

## Torque Specifications

Fastener Location	lb-ft	Nm
Distributor Clamp 3/8-16	20	27
Spark Plugs (14 mm)	22	30

## Tools

Description	Part Number
Dwell Meter	91-59339
Magneto Analyzer	91-76032
Remote Starter Switch	91-52024A1
Timing Light	91-99379
Volt / Ohm Meter	91-99750A1
Timing Jumper	91-818812A1
Point Spring Tension Gauge	Obtain Locally

## Special Tools

Kent-Moore Special Tools	
Kent-Moore Special Tools 29784 Little Mack Roseville, MI 48066 Phone: (313) 574-2332	
Module Tester	J24642

## Lubricants/Sealants/Adhesives

Description	Part Number
Distributor Cam Lubricant	Obtain Locally
Liquid Neoprene	92-25711--3
Silicone Dielectric Compound	92-802882A1
Heat Transfer Compound	92-805701, 92-805701--1

# Specifications

## Timing

Timing (At Idle rpm) <sup>1</sup>	1° BTDC <sup>2</sup> / 1° ATDC <sup>3</sup> / 2° ATDC <sup>4</sup>
-----------------------------------	--

<sup>1</sup>Timing must be set using a special procedure as outlined in this section. Timing cannot be properly set using the conventional method.

<sup>2</sup>Serial number break: 0L096999 and below

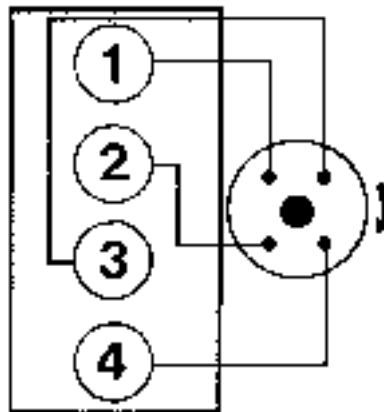
<sup>3</sup>Serial number break: 0L097000 - 0L0340999

<sup>4</sup>Serial number break: 0L341000 and above.

## Spark Plugs

Spark Plug Gap	.035 In. (0.9 mm)
3.0L	AC-MR43LTS NGK-BPR6EFS Champion RS12YC

## GM 4-Cylinder In-line Firing



**Firing Order 1-3-4-2**

50683

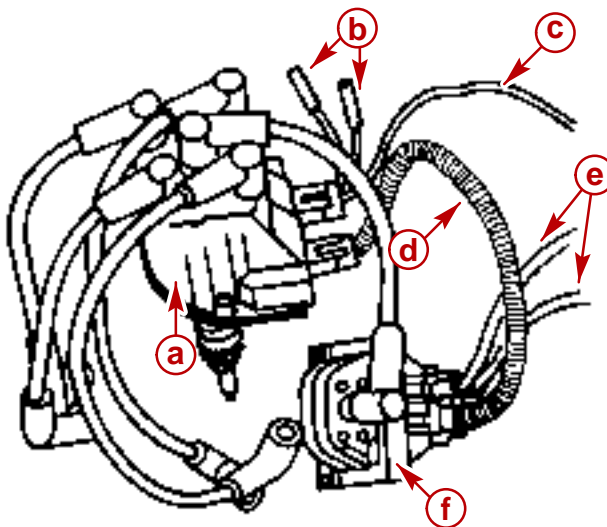
## Description

EST or Electronic Spark Timing is a High Energy Ignition System (HEI). The distributor itself has no centrifugal advance mechanism or devices.

The spark plug wires are a carbon-impregnated cord conductor with a silicone rubber jacket. It is important they be handled with care, and routed so as not to cross each other or to be in contact with other parts of the engine to prevent rubbing.

The EST System uses a square coil with epoxy covered windings to protect against moisture and arc-over.

The timing cannot be set the same way that other ignition systems were.

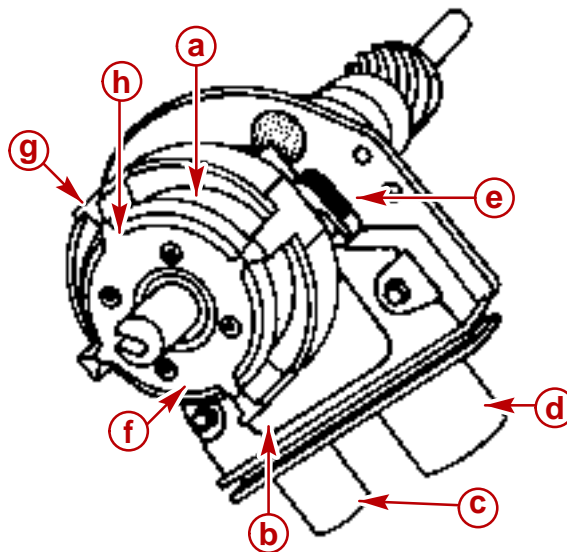


70106

- a** - Distributor with Spark Plug Wires
- b** - Wires (WHITE) Used in Timing Procedure
- c** - Wire from Shift Interrupt Switch
- d** - Distributor Harness
- e** - Engine Harness Wire (PURPLE AND GRAY)
- f** - Coil

EST uses a magnetic pulse generator and an electronic module to primary circuit current. Internally the Pulse Generator, or magnetic pick-up assembly, takes the place of conventional points. A timer core on the main shaft of the distributor has external teeth which align with an equal number of pole piece teeth (four for a four cylinder engine). The electronic module is small enough to allow it to be mounted inside the distributor, and contains the circuits necessary for dwell control and advance of the timing.

Molded into the module is a two-prong connector for the coil terminals and four prong connector. Only three of the four terminals of the second connector are used by MerCruiser (one for the shift interrupt and two white leads are used to “freeze” advance for properly setting initial timing). Inside the distributor, the pick-up coil attaches to the module at a molded prong connector.



70107

- a** - Magnetic Pulse Generator
- b** - Electronic Module
- c** - Two Prong Connector
- d** - Four Prong Connector
- e** - Pick-up Coil Connector
- f** - Timer Core
- g** - Pole Piece Teeth
- h** - External Teeth

## Precautions

### **⚠ WARNING**

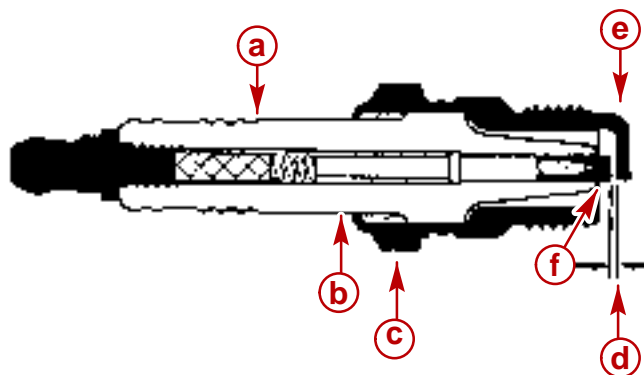
When performing the following procedure, be sure to observe the following:

- Be sure that engine compartment is well ventilated and that no gasoline vapors are present, to avoid the possibility of fire.
- Be sure to keep hands, feet and clothing clear of moving parts.
- Do not touch or disconnect any ignition system parts while engine is running.
- Do not reverse battery cable connections. System is negative (–) ground.
- Do not disconnect battery cables while engine is running.

# Cleaning And Inspection

## Spark Plugs

1. Inspect each plug individually for badly worn electrodes, glazed, broken or blistered porcelain and replace plug where necessary.
2. Inspect each spark plug for manufacturer and heat range. All plugs must be the same manufacturer and number or heat range. Refer to "Specifications" for spark plug numbers.
3. Check spark plug gaps with a round feeler gauge. Adjust if necessary.



50674

### Spark Plug Detail

- a** - Porcelain Insulator
- b** - Check For Cracks In This Area of Porcelain
- c** - Shell
- d** - Proper Gap
- e** - Side Electrode (Gap Adjustment)
- f** - Center Electrode (File Flat When Adjusting Gap)

**IMPORTANT: Tapered seat spark plugs are not interchangeable with non-tapered (with gasket) spark plugs.**

4. Clean spark plug seating area. DO NOT use gaskets on taper seat plugs. Install spark plugs and torque to 22 lb-ft (30 Nm). Heat transfer and a gas-tight seal must be achieved.

## Spark Plug Wires

1. Inspect spark plug wires for damage.
2. Check spark plug wires for continuity.
3. Replace any wires that are cracked, cut or have damaged spark plug boots.
4. Replace any wires that do not show continuity from end to end.
5. Reinstall spark plug wires in proper order.

**IMPORTANT: Proper positioning in spark plug wires is important to prevent cross firing.**

## Distributor Cap and Rotor

1. Loosen distributor cap retaining screws.
2. Remove distributor cap.
3. Clean cap with warm soap and water and blow off with compressed air.
4. Check cap contact for excessive burning or corrosion. Check center contact for deterioration.

**IMPORTANT: Distributor caps (for marine use) should have brass contacts, aluminum contacts should not be used.**

5. Check cap for cracks or carbon tracks using magneto analyzer.
6. Remove rotor.
7. Check for burned or corroded center contact.
8. Check rotor for cracks and carbon tracks using magneto analyzer.
9. Install rotor on shaft. Be sure rotor is completely seated on shaft.
10. Place cap on distributor.
11. Tighten retaining screws securely.

## Distributor Installation

### Engine Not Disturbed

1. Install new gasket on distributor housing.
2. Turn rotor approximately 1/8 turn in a counter-clockwise direction past mark previously scratched on distributor housing.
3. Work distributor down into position in engine block with distributor positioned as noted during removal.

**IMPORTANT: It may be necessary to move rotor slightly to start gear into mesh camshaft gear, but rotor should line up with mark when distributor is down in place. Distributor shaft must enter oil pump shaft for complete installation.**

4. Replace and tighten distributor hold-down bolt and clamp. Connect primary lead to coil. Also install spark plug and coil secondary wires, if removed.

**IMPORTANT: Wires must be installed in supports, to prevent cross-firing. Firing order is 1-3-4-2.**

5. Install rotor.
6. Time ignition as outlined under "Ignition Timing," in this section.
7. Replace distributor cap.



## Engine Disturbed

1. Locate No. 1 piston in firing position by either of two methods described below.
  - a. Remove No. 1 spark plug and, with finger on plug hole, crank engine until compression is felt in No. 1 cylinder. Continue cranking until pointer lines up with timing mark on crankshaft pulley, or
  - b. Remove rocker cover and crank engine until No. 1 intake valve closes, continuing to crank slowly until pointer lines up with timing mark on crankshaft pulley.
2. Position distributor to opening in block in normal installed attitude.
3. Position rotor to point toward front of engine (with distributor housing held in installed attitude), then turn rotor counterclockwise approximately 1/8-turn more to the left and push distributor down to engage camshaft. It may be necessary to rotate rotor slightly until camshaft engagement is felt.
4. While pressing down firmly on distributor housing, engage starter a few times to make sure oil pump shaft is engaged. Install hold-down clamp and bolt and snug up bolt.
5. Turn distributor body slightly until points just open and tighten distributor clamp bolt.
6. Place distributor cap in position and check that rotor lines up with terminal for No. 1 spark plug. Install cap.
7. Install cap, distributor primary lead to coil. Check and connect spark plug wires, if they have been removed. Wires must be installed in their proper location in supports to prevent cross-firing. Firing order is 1-3-4-2.
8. Install rotor.
9. Replace distributor cap.
10. Time ignition as outlined under "Ignition Timing," in this section.

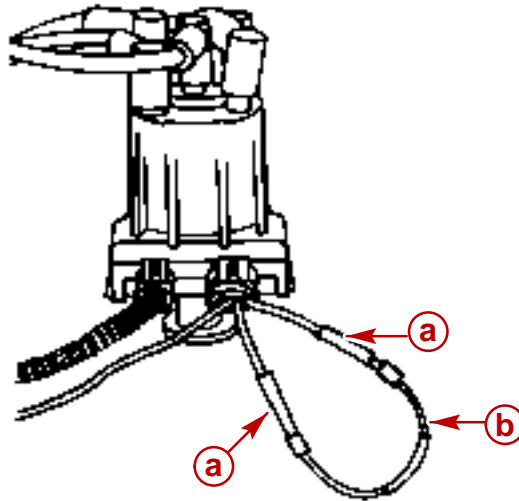
## Ignition Timing

**IMPORTANT:** Failure to follow the timing procedure instructions will result in improper timing causing performance problems and possible severe engine damage.

1. Connect timing light (91-99379 or similar) to No. 1 spark plug wire. Connect power supply leads on light to 12 volt battery. Refer to Specifications - "Engine Rotation and Firing Order," for cylinder numbering and location.
2. Connect a shop tachometer to engine.

**NOTE:** Before starting engine make sure the timing tab and mark on damper are clean. Chalk or white paint on timing mark on damper may help visibility.

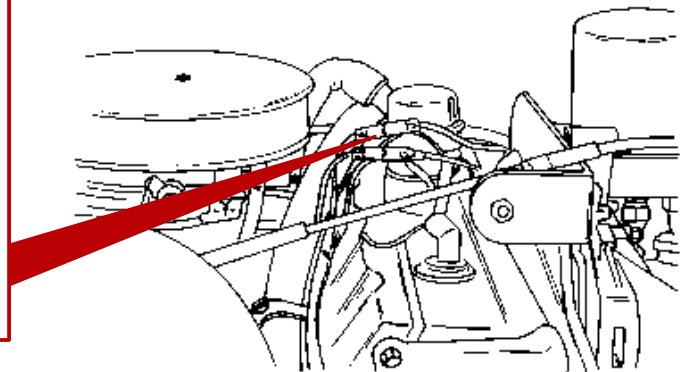
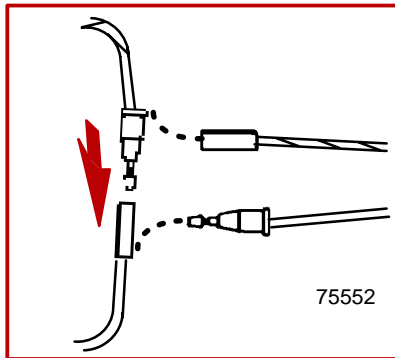
3. Start engine and run at idle speed until it reaches normal operating temperature.



70103

- a** - WHITE Leads
- b** - Jumper Lead

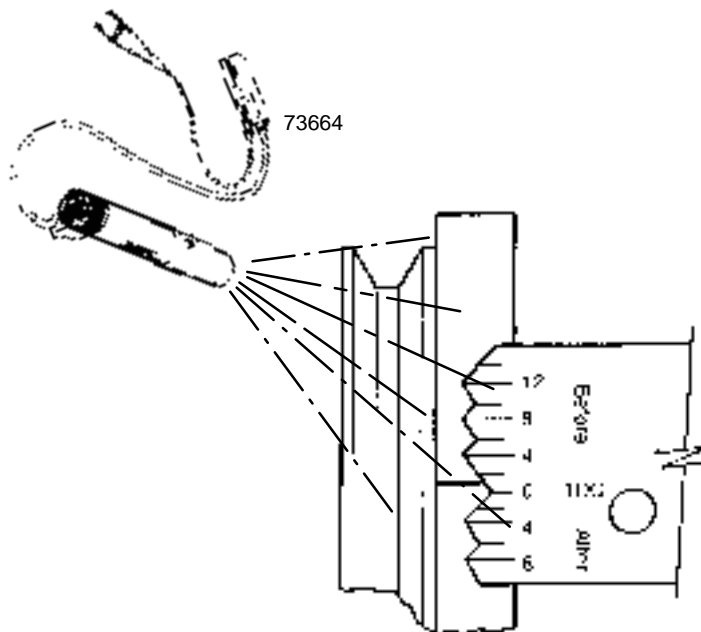
4. Install a jumper wire between the two WHITE leads on the distributor. Use Quicksilver 91-818812A1, or fabricate a jumper wire using a 6 in. (150 mm) section of 16 gauge wire with two male bullet terminal ends connected.
5. Bypass the shift interrupt switch, as follows:
  - a. Disconnect wires at shift interrupt switch.
  - b. Temporarily join the engine harness wires together.



75499

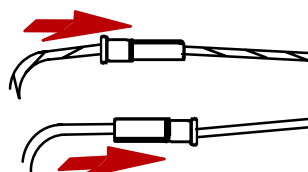
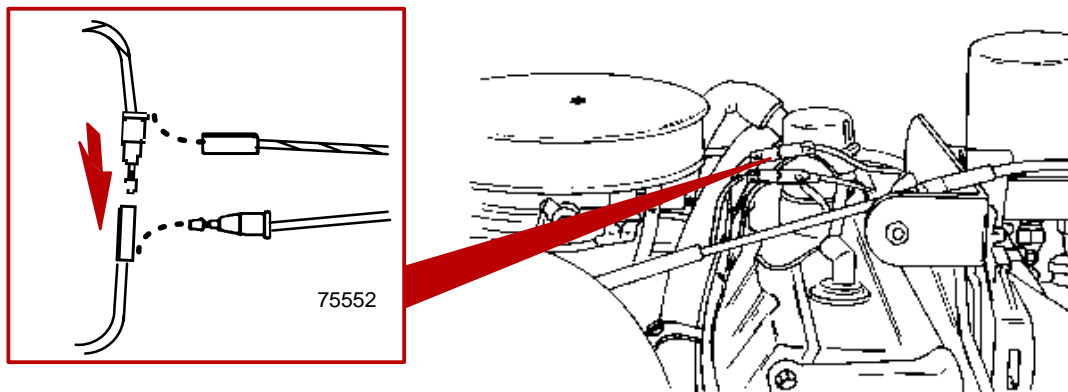
**IMPORTANT:** Do not fail to reconnect these two wires to the shift interrupt switch when timing procedures are complete.

6. Aim timing light at timing tab, located on the timing gear cover and crankshaft torsional damper. Check the timing. Refer to "Specifications."



**Typical**

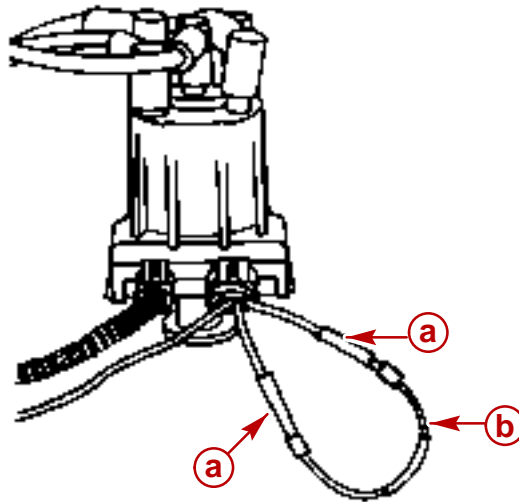
7. Adjust timing by loosening distributor clamp and rotating distributor body as required until timing mark on damper or pulley lines up with the mark on tab specified in "Specifications." Tighten clamp and recheck location of timing mark.
8. Aim timing light at timing tab and recheck location of timing mark. Repeat Step 7 until timing is correct.
9. Stop the engine. Torque distributor hold down bolt to 20 lb-ft (27 Nm).
10. Reconnect the two wires to the shift interrupt switch.



75553

**IMPORTANT:** Be sure to remove jumper wire before returning engine to service, otherwise timing will not advance.

11. Remove jumper wire at distributor white leads.



70103

**a** - WHITE Leads  
**b** - Jumper Lead

12. With timing light still connected, start the engine and run at IDLE. Verify that timing did advance to :

- If initial timing is 1° BTDC: 12° BTDC, plus or minus 2°. At 2400-2800 rpm maximum (total) advance is obtained and should be 23° BTDC (plus or minus 2°).
- If initial timing is 1° ATDC: 14° BTDC, plus or minus 2°. At 2400-2800 rpm maximum (total) advance is obtained and should be 25° BTDC (plus or minus 2°).
- If initial timing is 2° ATDC: 15° BTDC, plus or minus 2°. At 2400-2800 rpm maximum (total) advance is obtained and should be 26° BTDC (plus or minus 2°).

13. Stop the engine and remove the timing light.

## Component Tests

The following tests can be made with the distributor and coil mounted on or off the engine. The test procedures will check each component of the distributor and ignition coil. Distributor cap and rotor should be checked for corrosion, cracks, carbon tracks or wear. Replace if needed.

### Testing Ignition Module

In order to test the module, an approved module tester, such as Kent-Moore Tester (J24642 or equivalent), must be used. Be certain to follow the manufacturer's directions precisely for proper results. However, do not overlook that corrosion on the terminals of the module could cause improper ignition action and should therefore be inspected and cleaned if needed.

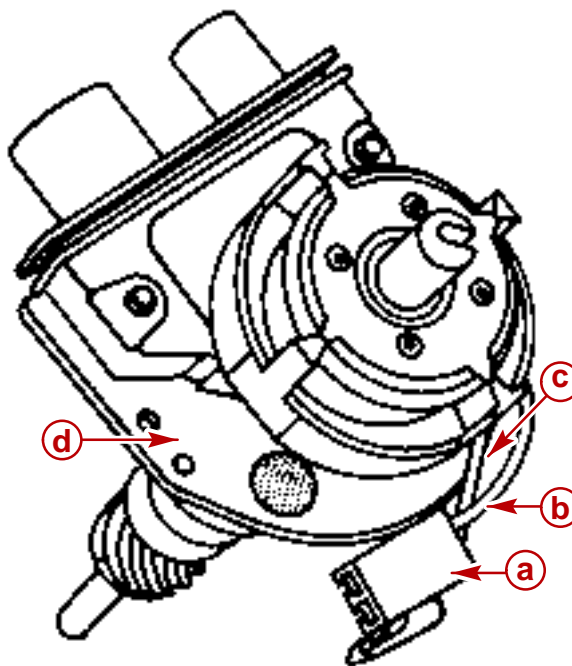
## Testing Ignition Coil

1. If not already done, disconnect wiring from ignition coil. Connectors are molded and keyed to assure proper positioning. The terminal (e) feeds 12 volts to the distributor.

**NOTE:** Upon reinstallation, first install black connector (distributor harness) to coil. Then install gray connector (engine harness).

2. Set ohmmeter to "Rx100" scale and connect one lead to 12 volt terminal (b) of coil and the other lead to "ground" (d), any clean metal on the coil frame. Reading should be infinite. If not, replace coil.
3. Set ohmmeter to "Rx100" scale and connect to 12 volt terminal (b) and terminal (c). Reading should be approximately .4 ohms. If not, replace coil.
4. Set ohmmeter to "Rx1" scale and connect to 12 volt terminal (b) and tachometer terminal (f). Reading should be approximately .4 ohms. If not, replace coil.
5. Set ohmmeter to "Rx100" high scale. Connect ohmmeter to 12 volt terminal (b) and to coil high tension post (a). Reading should be between 7800 and 8800 ohms. If it reads outside of this range, replace coil.

## Testing Pickup Coil



- a - Connector
- b - GREEN Lead
- c - WHITE Lead
- d - Distributor Housing

1. Remove distributor cap.
2. Identify the two pickup coil leads. On almost all applications these two leads are one WHITE and one GREEN. Remove the connector that houses these two leads from the module.
3. Set ohmmeter to "Rx1" scale. Connect one lead of ohmmeter to WHITE lead and the other to distributor housing. Reading should be infinite. If not, replace pickup coil.

70105

4. Repeat Step 3 with ohmmeter connected to GREEN lead. Reading should be infinite. If not, replace pickup coil.
5. Set ohmmeter to "Rx100" scale. Connect ohmmeter to GREEN and WHITE pickup coil leads. Reading should be constant, unchanging value in the range of 500-1500 ohms. If not, replace pickup coil. Be certain to flex leads by hand during this test to locate possible intermittent "open" circuits (loss of continuity). If any exist, replace pickup coil.

# Advance Curve

Module Part Number: 811637

Module Advance: See Notice

Initial Timing: 1° BTDC<sup>1</sup> / 1° ATDC<sup>2</sup> / 2° ATDC<sup>3</sup>

Total Advance: 23°

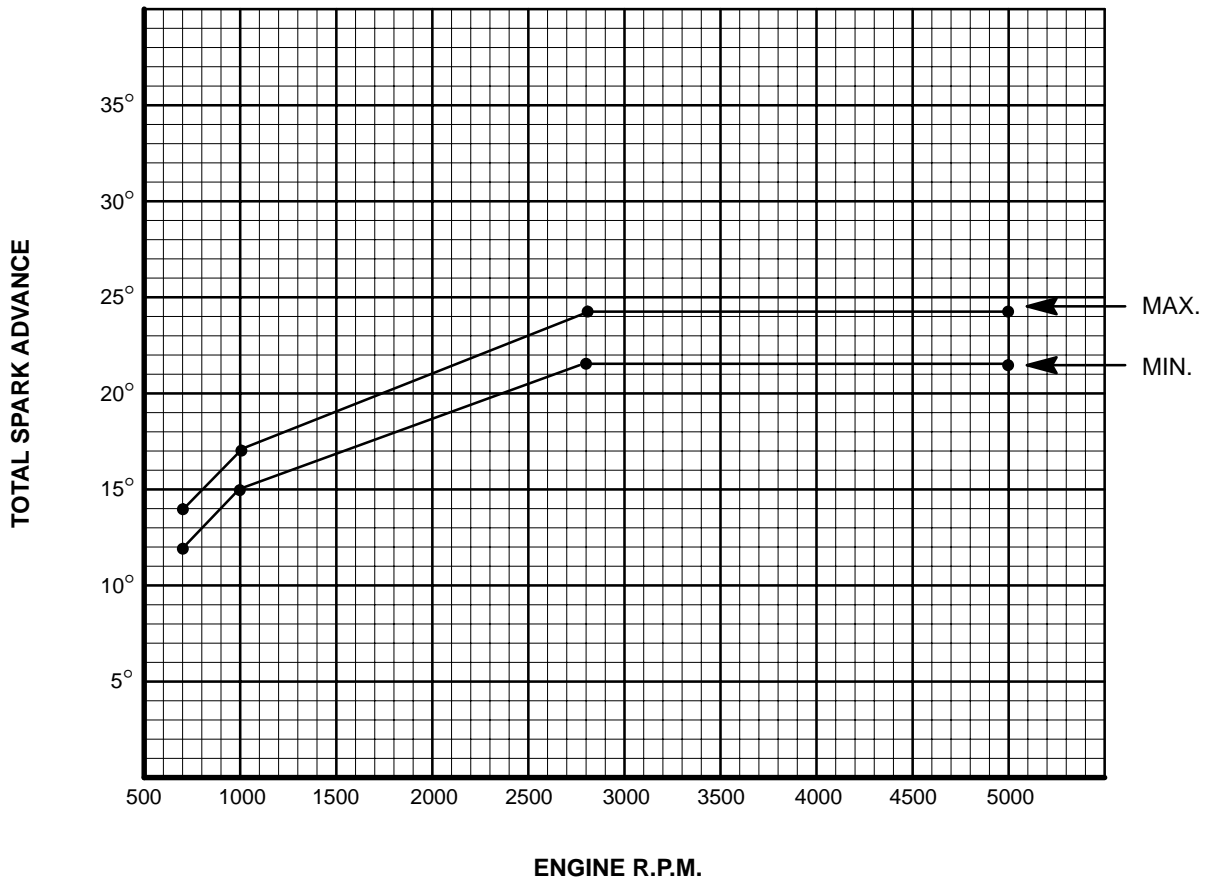
<sup>1</sup>Serial number break: 0L340999 and below unless specified differently below

<sup>2</sup>Serial number break: 0K001529 - 0L097000 Timing changes to 1° ATDC only if engine experiences a cylinder head gasket failure that has blown out toward the intake exhaust manifold on the port side of the engine.

<sup>3</sup>Serial number break: 0L341000 and above.

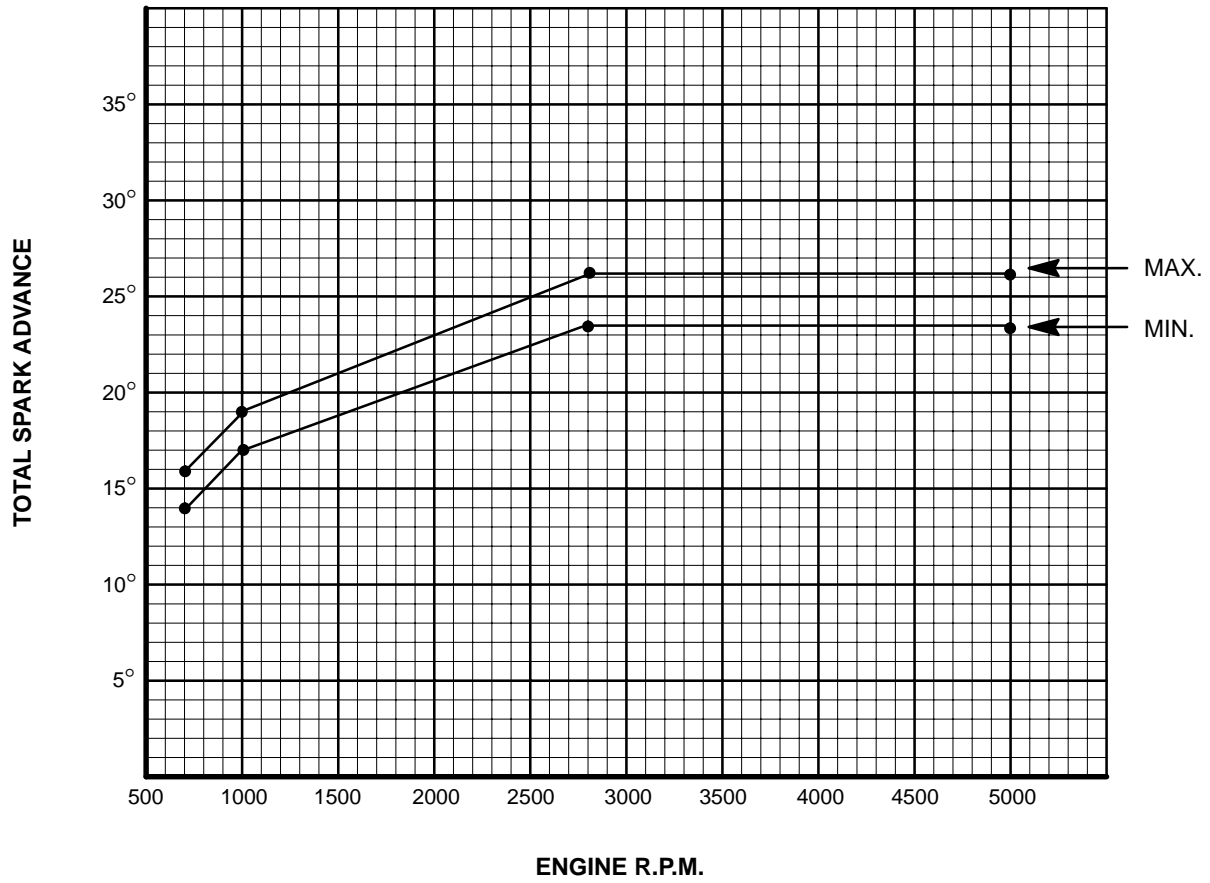
**NOTICE**

**Advance curve includes initial timing. DO NOT add initial timing degrees to total advance degrees.**



Initial Timing 1° BTDC

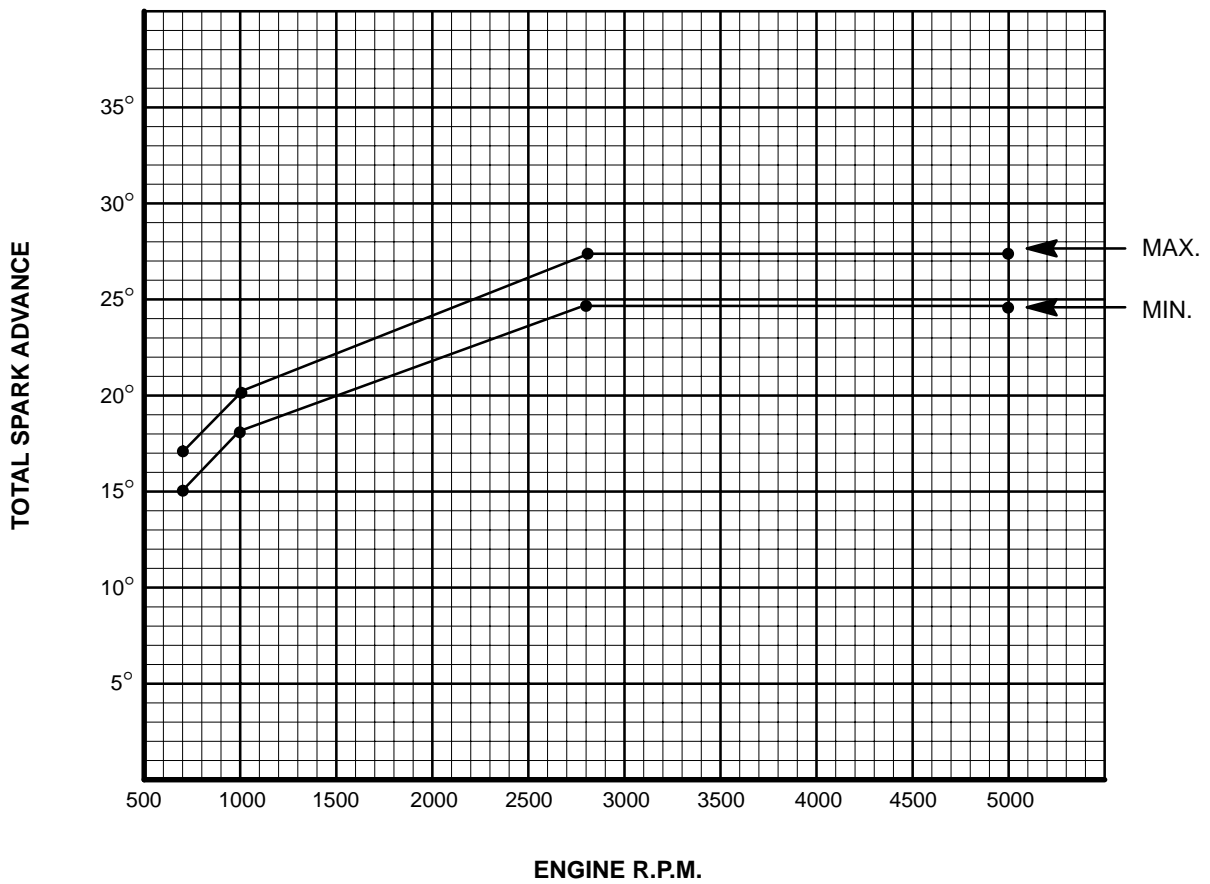
70808-15



Initial Timing 1° ATDC

70808-15





Initial Timing 2° ATDC

70808-15

**THIS PAGE IS INTENTIONALLY BLANK**

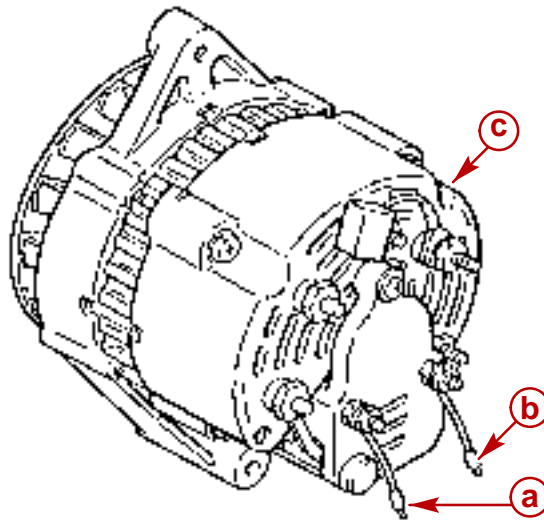
# ELECTRICAL SYSTEM

## Section 4C - Charging System

### Table of Contents

Identification .....	4C-2	Batteries .....	4C-29
Replacement Parts Warning .....	4C-3	Battery Cables .....	4C-29
Description .....	4C-3	Mando 55 Amp Alternator .....	4C-30
Precautions .....	4C-4	Identification .....	4C-30
System Components .....	4C-5	Replacement Parts Warning .....	4C-30
Periodic Maintenance .....	4C-6	Specifications .....	4C-30
Drive Belt Tension Adjustment .....	4C-7	Tools .....	4C-31
Alternator .....	4C-7	Lubricants/Sealants/Adhesives .....	4C-31
Troubleshooting Tests (Alternator on		Torque Specifications .....	4C-31
Engine) .....	4C-7	Battery Isolator Diagram .....	4C-32
Circuitry Test .....	4C-8	Mando 65 Amp Alternator .....	4C-33
Current Output Test .....	4C-10	Identification .....	4C-33
Voltage Output Test .....	4C-11	Replacement Parts Warning .....	4C-33
Alternator Repair .....	4C-12	Specifications .....	4C-33
Removal .....	4C-12	Tools .....	4C-34
Exploded View .....	4C-13	Lubricants/Sealants/Adhesives .....	4C-34
Disassembly .....	4C-14	Torque Specifications .....	4C-34
Cleaning and Inspection .....	4C-18	Exploded View .....	4C-35
Component Testing .....	4C-19		
Reassembly .....	4C-23		
Installation .....	4C-28		

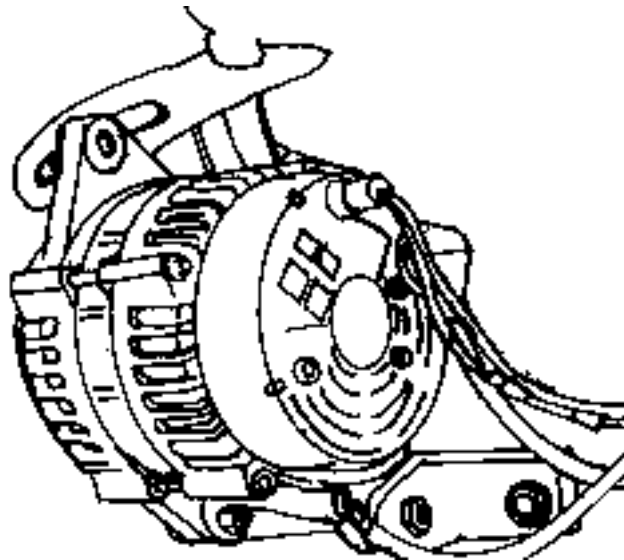
# Identification



72078

## Mando 55 Amp Alternator

- a** - Excitation Wire - PURPLE
- b** - Sensing Wire - RED/PURPLE
- c** - Mando Part Number (Hidden In This View)



76093

## Mando 65 Amp Alternator

## Replacement Parts Warning

### WARNING

**Electrical, ignition and fuel system components on your MerCruiser are designed and manufactured to comply with U.S. Coast Guard Rules and Regulations to minimize risks of fire and explosion.**

**Use of replacement electrical, ignition or fuel system components, which do not comply with these rules and regulations, could result in a fire or explosion hazard and should be avoided.**

## Description

The alternator has a rotor, which is supported in two end frames by ball bearings, and is driven by a pulley at approximately twice engine speed. The rotor contains a field winding that is enclosed between two multiple-finger pole pieces. The ends of the field winding are connected to two brushes (mounted in the rear end frame) which make continuous sliding (or slipping) contact with the slip rings. The current (flowing through the field winding) creates a magnetic field that causes the adjacent fingers of the pole pieces to become alternate north and south magnetic poles.

A 3-phase stator is mounted directly over the rotor pole pieces and between two end frames. It consists of three windings wound 120 degrees electrically out-of-phase on the inside of a laminated core. The windings are all connected together on one end, while the other ends are connected to a full-wave rectifier bridge.

The rectifier bridge contains six diodes which are arranged so that current flows from ground, through the stator and to the output terminal, but not in the opposite direction.

When current is supplied to the rotor field winding, and the rotor is turned, the movement of the magnetic fields created induces an alternating current into the stator windings. The rectifier bridge then changes this alternating current to direct current which appears at the output terminal. A diode trio also is connected to the stator windings to supply current to the regulator and the rotor field during operation.

Voltage output of the alternator is controlled by regulating the current supplied to the rotor field. This is accomplished by a transistorized voltage regulator that senses the voltage at the battery and regulates the field current to maintain alternator voltage within prescribed limits for properly charging the battery. Current output of the alternator does not require regulation, as maximum current output is self-limited by the design of the alternator. As long as the voltage is regulated within the prescribed limits, the alternator cannot produce excessive current. A cut-out relay in the voltage regulator also is not required, as the rectifier diodes (which allow current to flow in one direction only) prevent the battery from discharging back through the stator.

Due to the lack of residual magnetism in the rotor pole pieces, a small amount of current must be supplied to the rotor field to initially start the alternator charging. This is accomplished by means of an excitation circuit in the regulator which is connected to the ignition switch. Once the alternator begins to produce output, field current is supplied solely by the diode trio, as explained, preceding.

The alternator also is equipped with a fan (mounted on the rotor shaft) which induces air flow through the alternator to remove the heat created by the rectifiers and stator. A capacitor protects the rectifier system from high voltages and suppresses radio noise.

## Precautions

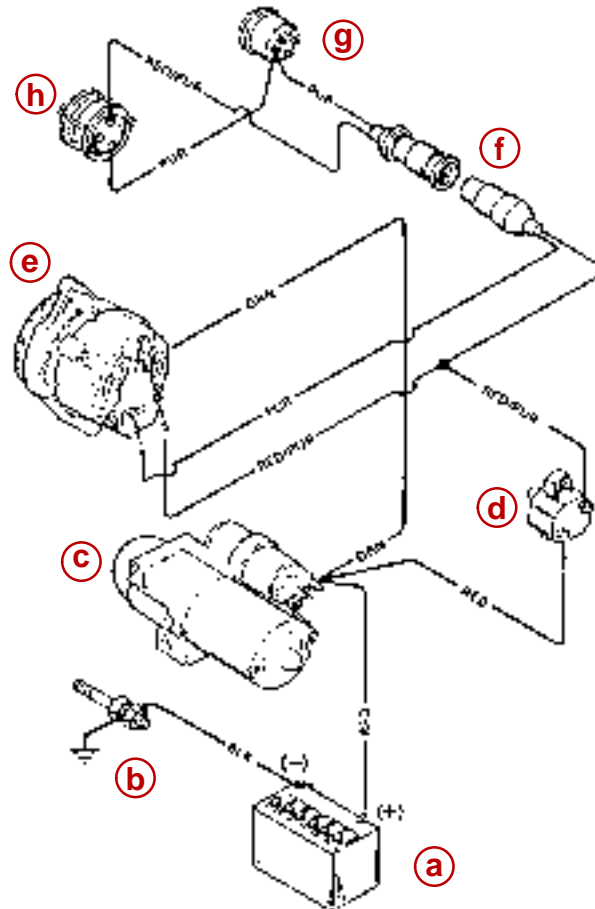
### CAUTION

The following precautions **MUST BE** observed when working on the alternator system. Failure to observe these precautions may result in serious damage to the alternator or alternator system.

- DO NOT attempt to polarize the alternator.
- DO NOT short across or ground any of the terminals on the alternator, except as specifically instructed in the "Troubleshooting Tests."
- NEVER disconnect the alternator output lead or battery cables when the alternator is being driven by the engine.
- NEVER disconnect regulator lead from alternator regulator terminal when the alternator is being driven by the engine.
- ALWAYS remove negative (–) battery cable from battery before working on alternator system.
- When installing battery, BE SURE to connect the positive (+) battery cable to the positive (+) battery terminal and the negative (–) (grounded) battery cable to negative (–) battery terminal.
- If a charger or booster battery is to be used, BE SURE to connect it in parallel with existing battery (positive to positive; negative to negative).

# System Components

The alternator system consists of the alternator, battery, the ignition switch and the wiring which connects these components.



72933

- a** - Battery
- b** - Ground Stud
- c** - Starter Motor
- d** - Circuit Breaker (not on all models)
- e** - Alternator
- f** - Harness Plug
- g** - Battery Meter
- h** - Ignition Switch

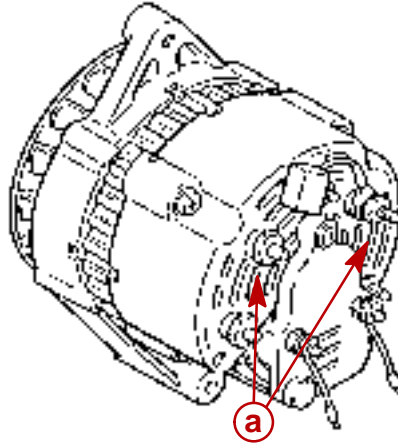
## Periodic Maintenance

The following maintenance check should be performed every 50 hours or 60 days (whichever comes first) in fresh water areas or every 25 hours or 30 days in salt water areas.

### **⚠ CAUTION**

**Remove all battery cables from battery (before conducting the following check) to prevent accidentally shorting out electrical system.**

1. Inspect entire alternator system for corroded or loose connectors.
2. Check wiring for frayed or worn insulation.
3. Check alternator drive belt for excessive wear, cracks, fraying and glazed surfaces. Also, check drive belt tension and adjust, if necessary, as explained under "Drive Belt Tension Adjustment."
4. Check alternator mounting bolts for adequate tightness.
5. Inspect slip ring end frame flame arrestor screen for debris and clean, if necessary, using compressed air or a cloth. Screen **MUST BE** clean, or alternator may overheat.



72078

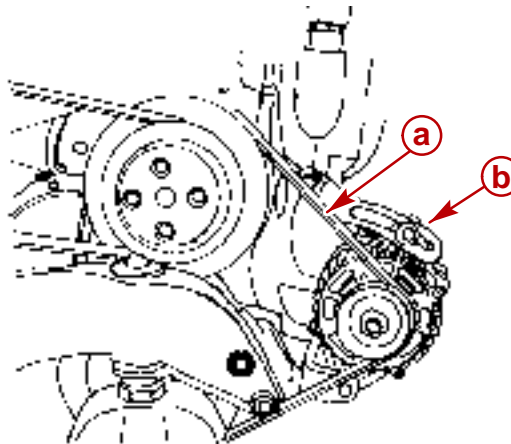
**a** - Inspect This Area



# Drive Belt Tension Adjustment

## Alternator

1. Install drive belt on pulleys and adjust tension as follows:
  - a. Pivot alternator away from engine, as required, until correct tension is obtained as shown. Belt should depress 1/4in. (6 mm).



76094

- a** - Check Point
- b** - Alternator Pivot Bolt

- b. After obtaining correct tension, securely retighten alternator brace attaching bolts and alternator mounting bolts.
2. If a new drive belt has been installed, recheck belt tension after running for five minutes.

## Troubleshooting Tests (Alternator on Engine)

Use the following tests in conjunction with the "Troubleshooting" in Section 1C. Before proceeding with the tests, however, perform the following checks to eliminate possible problem areas. Also observe "Precautions," earlier in this section, to prevent damage to alternator system.

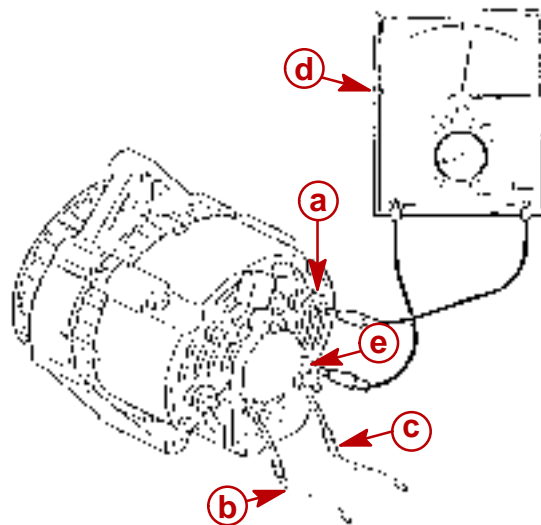
1. If problem is an undercharged battery, check to ensure that undercharged condition has not been caused by excessive accessory current draw or by accessories which have accidentally been left on. Also, check that undercharged condition has not been caused by running engine at too low a speed for extended periods of time.
2. Check physical condition and state of charge of battery, as outlined in "Battery - Storage" in Section 4A. Battery **MUST BE** at least 75% (1.230 specific gravity) of fully charged to obtain valid results in the following tests. If not, charge battery before testing system.
3. Inspect entire alternator system wiring for defects. Check all connections for tightness and cleanliness, particularly battery cable clamps and battery terminals.
4. Check alternator drive belt for excessive wear, cracks, fraying and glazed surfaces and replace if necessary. Also, check drive belt tension and adjust if necessary, as outlined under "Drive Belt Tension Adjustment."

## Circuitry Test

Perform the following tests, using a 0-20 volt DC voltmeter, to check that all of the circuits between the alternator and the other components within the alternator system are in good condition.

### OUTPUT CIRCUIT

1. Connect positive (+) voltmeter lead to alternator output terminal and negative (-) lead to a ground terminal on alternator.
2. Wiggle engine wiring harness while observing voltmeter. Meter should indicate approximate battery voltage and should not vary. If no reading is obtained, or if reading varies, check alternator output circuit for loose or dirty connections or damaged wiring.



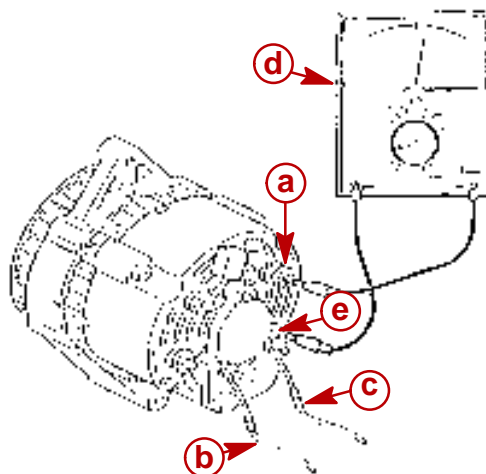
72784

- a** - Output Wire - ORANGE
- b** - Excitation Wire - PURPLE
- c** - Sensing Wire - RED/PURPLE
- d** - Voltmeter (0-20 Volts)
- e** - Ground

### EXCITATION CIRCUIT

1. Connect positive (+) voltmeter lead to tie strap terminal on alternator and negative (-) lead to a ground terminal on alternator (Test 1).
2. Turn ignition switch to ON position and note voltmeter reading. Reading should be 1.3 to 2.5 volts.
3. If no reading is obtained, an opening exists in alternator excitation lead or in excitation circuit of regulator. Unplug PURPLE lead from regulator. Connect positive voltmeter lead to PURPLE lead and negative voltmeter leads to ground (Test 2). If voltmeter now indicates approximate battery voltage, voltage regulator is defective and must be replaced. If no voltage is indicated, check excitation circuit for loose or dirty connections or damaged wiring.
4. If reading is between .75 and 1.1 volts, rotor field circuit probably is shorted or grounded. Disassemble alternator and test rotor as outlined under "Alternator Repair," following.

- If reading is between 6.0 and 7.0 volts, rotor field circuit probably is open. Remove regulator and inspect for worn brushes or dirty slip rings. Replace brushes if less than 1/4 in. (6 mm) long. If brushes and slip rings are in good condition, disassemble and perform rotor test as outlined under "Component Testing - Rotor" following.

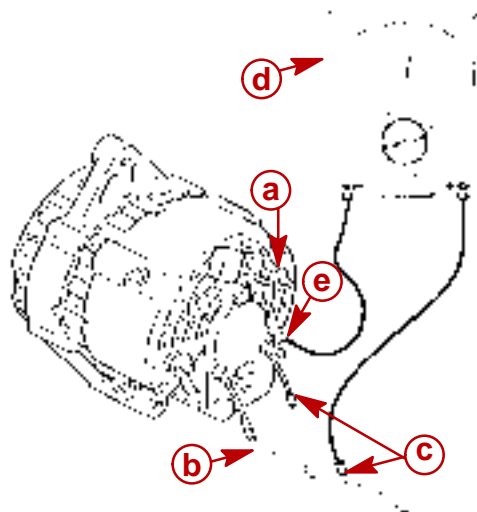


72784

- a** - Excitation Wire - PURPLE
- b** - Sensing Wire - RED/PURPLE
- c** - Tie Bar
- d** - Voltmeter (0-20 Volts)
- e** - Ground

## SENSING CIRCUIT

- Unplug RED/PURPLE lead from voltage regulator.
- Connect positive (+) voltmeter lead to RED/PURPLE lead and negative (-) voltmeter lead to ground terminal.
- Voltmeter should indicate battery voltage. If battery voltage is not present, check sensing circuit RED/PURPLE lead for loose or dirty connection or damaged wiring.



72786

- a** - Output Wire - ORANGE
- b** - Excitation Wire - PURPLE
- c** - Sensing Wire - RED/PURPLE
- d** - Voltmeter (0-20 Volts)
- e** - Ground

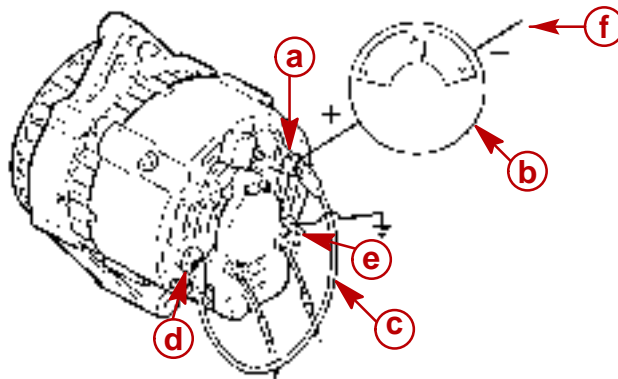
## Current Output Test

Perform this test to check if alternator is capable of producing rated current output, using a 0-50 amp DC ammeter.

### **⚠ WARNING**

**Be sure that engine compartment is well-ventilated and that there are no gasoline vapors present (during the test) to prevent the possibility of an explosion and/or a fire, should a spark occur.**

1. Disconnect negative (–) battery cable from battery.
2. Disconnect ORANGE lead from alternator output terminal and connect ammeter in series between lead and output terminal. Connect positive (+) side of ammeter toward output terminal.
3. Reconnect negative battery cable.
4. Remove coil wire from distributor cap tower and ground it to block. Turn on all accessories and crank engine over with starter motor for 15-20 seconds.
5. Turn off accessories and reinstall coil wire. Start engine and adjust engine speed to 1500-2000 rpm. Quickly observe ammeter. Reading should be at least 30 amps.
6. If reading is low, stop engine and connect a jumper wire between alternator output terminal and regulator terminal. Repeat Steps 4 and 5.
7. If reading is now within specifications, diodes are faulty. Disassemble alternator and replace rectifier as explained under “Alternator Repair,” following, to determine if fault is in regulator or alternator.
8. If reading is still low with jumper wire connected, perform “Voltage Output Test,” following, to determine if fault is in regulator or alternator.



72787

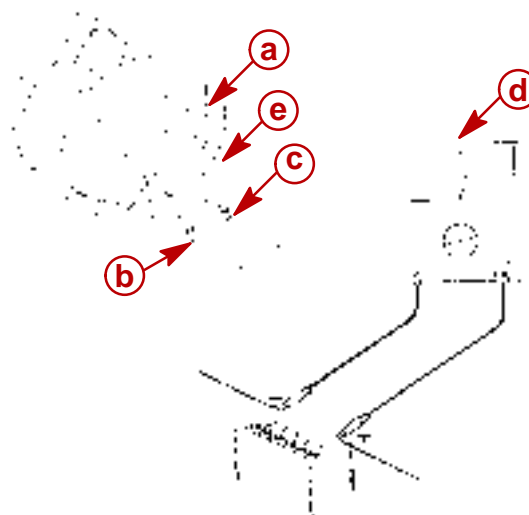
- a** - Output Wire - ORANGE
- b** - Ammeter (0-50 Amps)
- c** - Jumper Lead
- d** - Regulator Lead
- e** - Ground
- f** - Output Lead (Orange)

## Voltage Output Test

Perform this test to determine if voltage regulator is operating correctly, using a 0-20 volt DC voltmeter.

**IMPORTANT: Battery MUST BE fully charged (1.260 or above specific gravity) to obtain proper voltage reading in this test. If necessary, charge battery with a battery charger or allow engine to run a sufficient length of time to fully charge battery before taking reading.**

1. Connect positive (+) voltmeter lead to positive (RED) battery terminal and negative (-) voltmeter lead to negative (BLACK) terminal.
2. Start engine and run at fast idle until engine reaches normal operating temperature. Adjust engine speed to 1500-2000 rpm and observe voltmeter for highest reading. Reading should be between 13.9 and 14.7 volts.
3. If reading is high, check for a loose or dirty regulator ground lead connection. If connection is good (and sensing circuit checked out good in "Circuitry Test"), voltage regulator is faulty and must be replaced. Be sure to disconnect battery cables before attempting to remove regulator.



72788

- a** - Output Wire - ORANGE
- b** - Excitation Wire - PURPLE
- c** - Sensing Wire - RED/PURPLE
- d** - Voltmeter (0-20 Volts)
- e** - Ground

### ⚠ WARNING

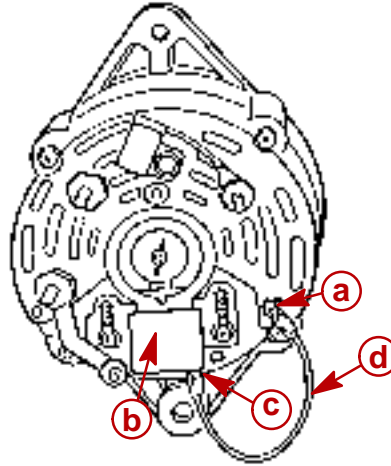
Be sure that engine compartment is well-ventilated and that there are no gasoline vapors present (during the next steps) to prevent the possibility of an explosion and/or fire, should a spark occur.

### ⚠ CAUTION

DO NOT allow tie jumper wire to contact alternator end frame (in next step), as rectifier and diode assembly may be damaged.

4. Remove four nuts holding excitation and sensing wires and Phillips screw. Remove regulator cover and install wires and nuts for testing. Connect a jumper wire from the ground stud to the brush terminal on the lower right-hand side of the brush assembly. Restart engine and gradually increase engine speed to 1500 rpm while observing voltmeter. DO NOT allow voltage to exceed 16 volts.

5. If a voltmeter reading of 14.5 volts or above is now obtained, voltage regulator is faulty and must be replaced. If voltmeter reading is below 14.5 volts, inspect brushes and slip rings for wear, dirt or damage. If brushes and slip rings are good, alternator is faulty internally. Disassemble alternator and test components, as outlined under "Alternator Repair," following.



72971

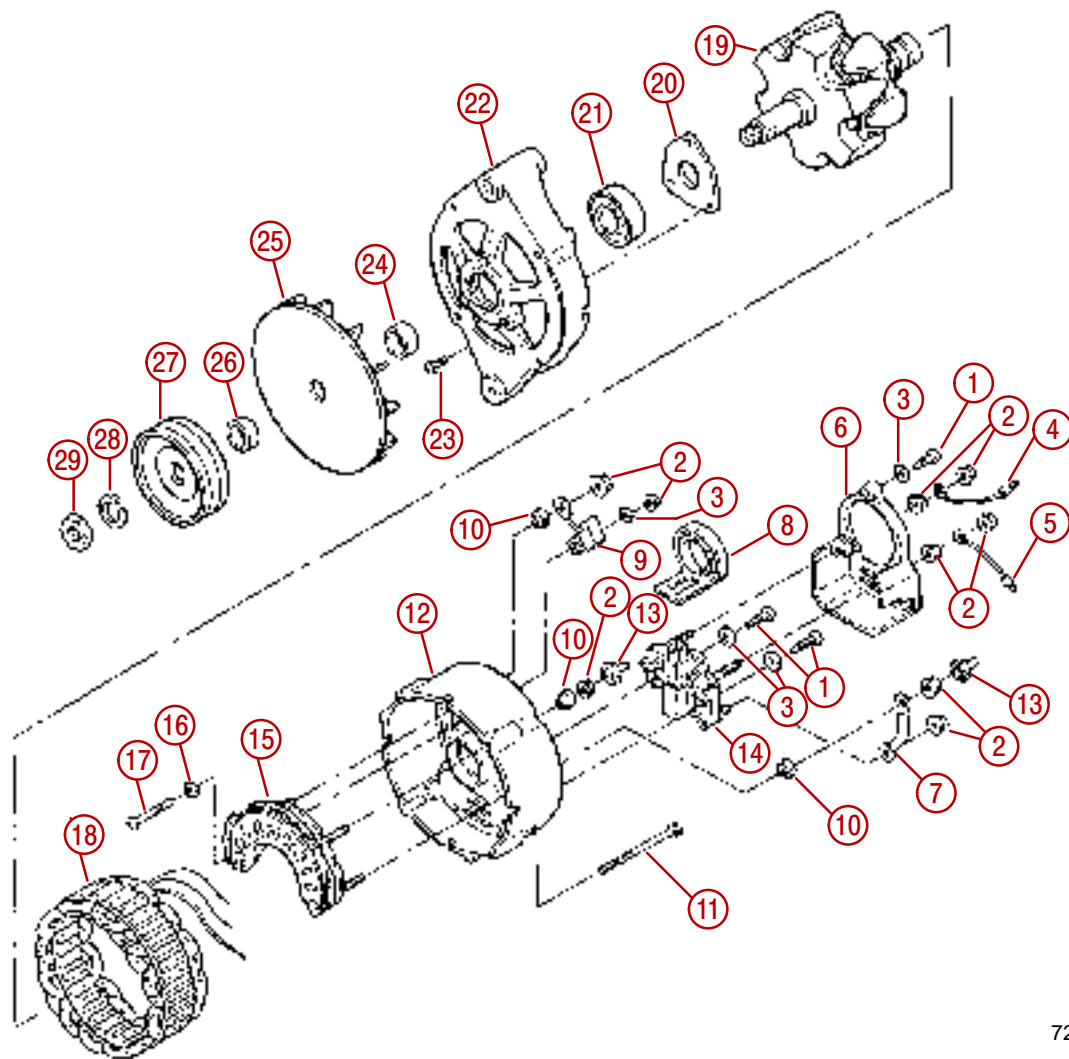
- a** - Ground
- b** - Brush/Regulator Assembly
- c** - Brush Terminal
- d** - Jumper Wire

## Alternator Repair

### Removal

1. Disconnect negative (-) battery cable from battery.
2. Disconnect wiring harness from alternator.
3. Remove alternator brace-to-alternator attaching bolt, washer(s) and spacer (if used).
4. Loosen alternator brace-to-engine attaching bolt and alternator mounting bolt, then pivot alternator inward and remove alternator drive belt.
5. Remove alternator mounting bolt, washers (if used), spacer and nut, and remove alternator.

# Exploded View



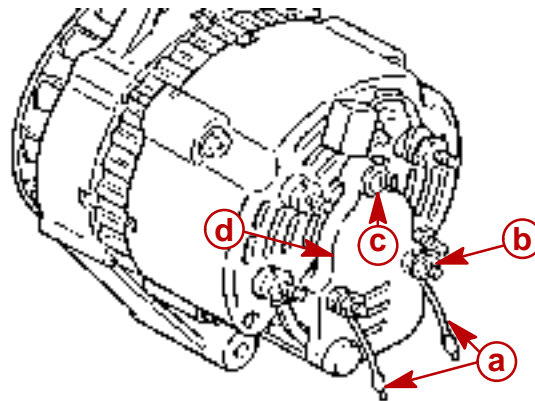
72276

- |  |                                 |
|--|---------------------------------|
| <b>1</b> - Screws (3)                  | <b>16</b> - Flat Washer         |
| <b>2</b> - Nut (9)                     | <b>17</b> - Screw               |
| <b>3</b> - Flat Washer (4)             | <b>18</b> - Stator              |
| <b>4</b> - Sensing Wire (RED / PURPLE) | <b>19</b> - Rotor And Slip Ring |
| <b>5</b> - Excitation Wire (PURPLE)    | <b>20</b> - Retaining Plate     |
| <b>6</b> - Cover                       | <b>21</b> - Front Bearing       |
| <b>7</b> - Tie Strap                   | <b>22</b> - End Frame (Front)   |
| <b>8</b> - Rubber Gasket               | <b>23</b> - Screw (3)           |
| <b>9</b> - Condenser                   | <b>24</b> - Fan Spacer          |
| <b>10</b> - Insulator                  | <b>25</b> - Fan                 |
| <b>11</b> - Bolt (4)                   | <b>26</b> - Pulley Spacer       |
| <b>12</b> - End Frame (Rear)           | <b>27</b> - Pulley              |
| <b>13</b> - Cap (2)                    | <b>28</b> - Lockwasher          |
| <b>14</b> - Brush / Regulator Assembly | <b>29</b> - Nut                 |
| <b>15</b> - Rectifier Assembly         |                                 |

## Disassembly

**IMPORTANT:** The following instructions are for complete disassembly and overhaul of the alternator. In many cases, however, complete disassembly of alternator is not required and, in those cases, it is necessary only to perform the operations required to repair or replace the faulty part.

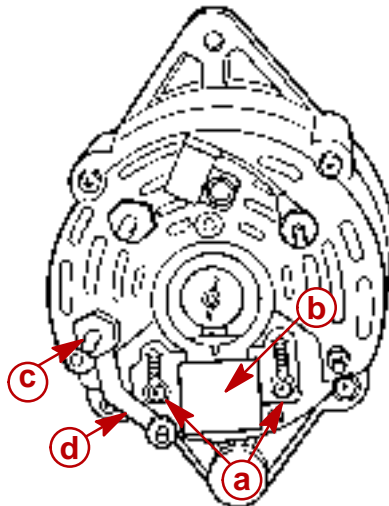
1. Mount alternator in a vise so that rear end frame is facing you.
2. Disconnect regulator leads from terminals on rear end frame. Remove four nuts, Phillips head screw and two regulator leads. Then pull regulator cover away from rear end frame.



72963

- a** - Regulator Leads
- b** - Nuts (4)
- c** - Phillips Head Screw
- d** - Regulator Cover

3. Remove stud cover insulator, two nuts and tie strap from brush/regulator assembly.
4. Remove two brush/regulator attaching screws and remove brush/regulator assembly.



72823

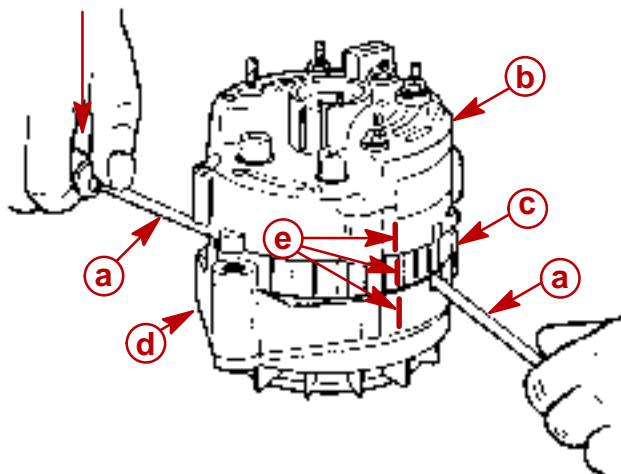
- a** - Screws
- b** - Brush/Regulator Assembly
- c** - Stud Cover Insulator
- d** - Tie Strap

5. Scribe a mark on rear end frame, stator and front end frame to ensure proper reassembly later.
6. Remove four screws which secure end frames and stator together.



**IMPORTANT: DO NOT** insert screwdriver blades more than 1/16in. (1.5 mm) into openings (in next step), as stator windings may be damaged.

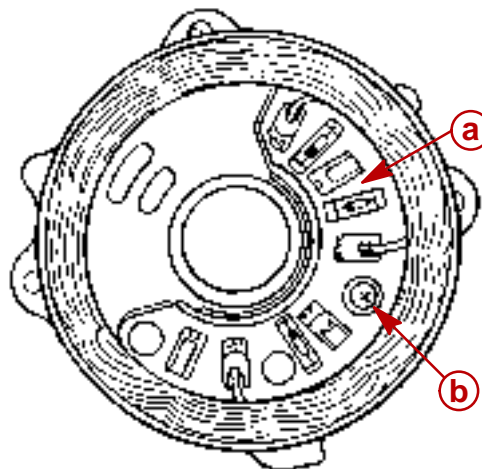
7. Separate rear end frame and stator assembly from front end frame and rotor assembly using two thin blade screwdrivers (positioned 180 degrees apart from one another) at the locations shown. Use the two slots shown to initially separate units.



72824

- a** - DO NOT Insert Screwdriver Blades More Than 1/16in. (1.5 mm) Into Slots
- b** - Rear End Frame
- c** - Stator
- d** - Front End Frame
- e** - Scribe Marks

8. Place rear end frame and stator assembly on the bench with stator downward. Be sure that bench is clean and free of metal chips. Remove nuts, washers, insulators and condenser from output and ground studs.
9. Turn end frame over (stator upward) and remove one Phillips head screw which secures rectifiers to end frame.

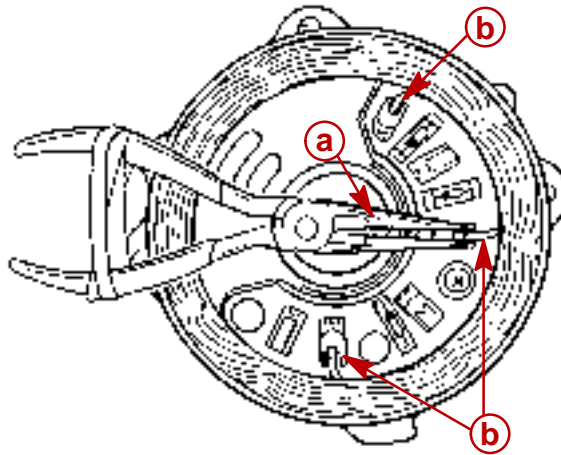


72826

- a** - Rectifier Assembly
- b** - Phillips Head Screw

10. Separate stator and rectifier assembly from rear end frame using screwdriver slots.

11. Unsolder the three stator leads from the rectifier heat sink. Place a needle nose pliers on diode terminal between solder joint and diode body to help prevent heat damage to diodes. Unsolder joints as quickly as possible and allow diode terminal to cool before removing pliers.



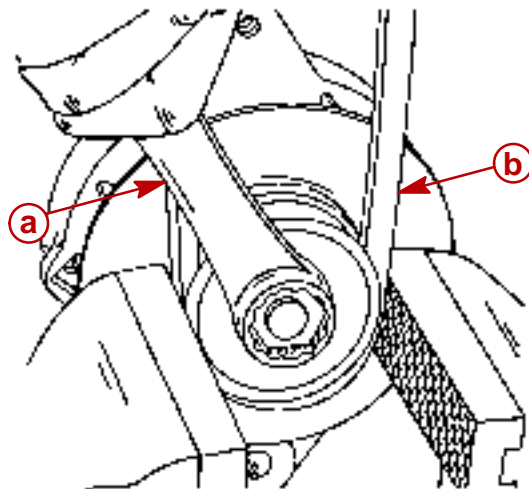
72827

- a** - Heat Sink  
**b** - Stator Leads (3)

**IMPORTANT:** With alternator disassembled to this point, stator, rectifier, diodes, and rotor may be tested, as explained under “Component Testing,” following.

**IMPORTANT:** DO NOT clamp vise on rotor pole pieces when removing pulley nut (in next step), as pole pieces may be distorted.

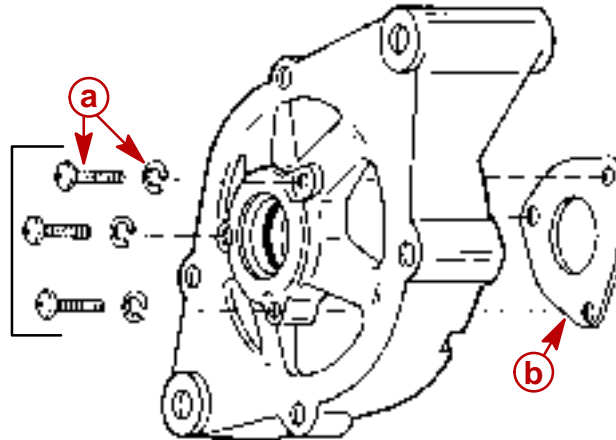
12. Remove pulley retaining nut by clamping pulley in a vise (using an oversize V-belt or protective jaws to protect pulley) and turning nut counterclockwise with a 7/8 in. wrench. Remove lockwasher and slide pulley and fan from shaft. If pulley is difficult to remove, it may be necessary to use a universal puller.



72828

- a** - 7/8 in. Wrench  
**b** - Over-Sized V-Belt To Protect Pulley

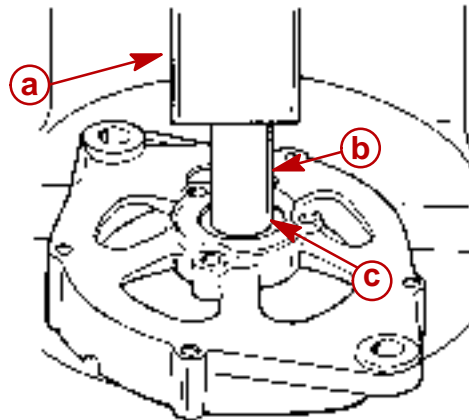
13. Remove the three Phillips head screws and lockwashers which secure the front bearing retaining plate.



72829

- a** - Phillips Head Screws and Lockwashers  
**b** - Front Bearing Retaining Plate

14. Remove front bearing from front end frame using an arbor press and a suitable size mandrel. Discard bearing.



72830

- a** - Press  
**b** - Mandrel  
**c** - Bearing

15. If rotor slip rings or rear bearing requires replacement, entire rotor must be replaced. Parts cannot be purchased separately.

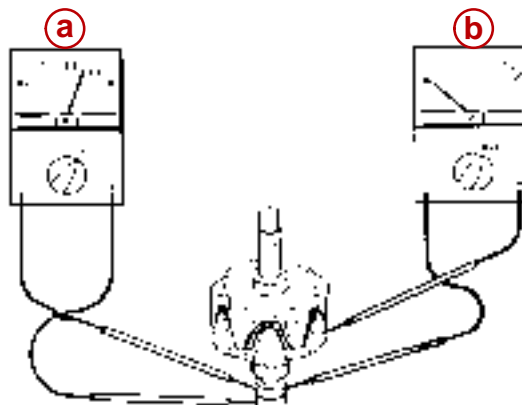
## Cleaning and Inspection

1. Clean all parts with a clean, soft cloth. DO NOT use solvent, or electrical components may be damaged.
2. Inspect the following parts for wear and damage:
  - a. **Brush/regulator assembly** - inspect for cracked casing, damaged brush leads, poor brush lead solder connections, weak or broken brush springs or worn brushes. Replace brush set if brushes are less than 1/4in. (6 mm) long.
  - b. **Rotor** - inspect for stripped threads, scuffed pole piece fingers or damaged bearing surfaces (because of bearing turning on shaft).
  - c. **Rotor-slip rings** - clean slip rings with 400 grain (or finer) polishing cloth while spinning rotor in a lathe. Blow off dust with compressed air. Inspect slip rings for grooves, pits, flat spots or out-of-round [.002in. (0.051 mm) maximum] and replace rotor, if present.
  - d. **Rotor shaft and front end bearings** - inspect for damaged seals, lack of lubrication, discoloration (from overheating) and excessive side or end play. Bearing should turn freely without binding or evidence of rough spots.
  - e. **Stator** - inspect for damaged insulation or wires; also inspect insulating enamel for heat discoloration, as this is usually a sign of a shorted or grounded winding or a shorted diode.
  - f. **Front and rear end frames** - inspect for cracks, distortion, stripped threads or wear in bearing bore (from bearing outer race spinning in bore). End frame(s) MUST BE replaced, if bearing has spun. Also, inspect bearing retainer recess in front end frame for damage.
  - g. **Fan** - inspect for cracked or bent fins, broken welds (bi-rotational fan only) or worn mounting hole (from fan spinning on shaft).
  - h. **Pulley** - inspect pulley mounting bore end for wear. Inspect drive surface of pulley sheaves for trueness, excessive wear, grooves, pits, nicks and corrosion. Repair damaged surfaces, if possible, with a fine file and a wire brush or replace pulley, if beyond repair. Drive surfaces MUST BE perfectly true and smooth or drive belt wear will be greatly accelerated.

## Component Testing

### ROTOR

1. Test rotor field circuit for opens, shorts or high resistance (Test 1), using an ohmmeter (set on R x1 scale), as follows:

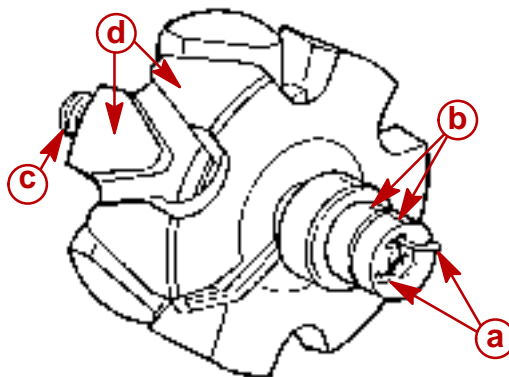


72831

#### Testing Rotor Field Circuit

- a** - Test 1
- b** - Test 2

- a. Connect one ohmmeter lead to each slip ring.
- b. Ohmmeter reading should be 4.2 to 5.5 ohms with rotor at room temperature 70-80°F (21-26°C).
- c. If reading is high or infinite (no meter movement), high resistance or an open exists in the field circuit. Check for poor connections between field winding leads and slip ring terminals. If cause for open or high resistance cannot be found, connect ohmmeter directly to slip ring terminals. If correct reading is now obtained, or if reading is still high or infinite, replace complete rotor assembly.
- d. If reading is low, a short exists in the field circuit. Inspect slip rings to be sure that they are not bent and touching outer slip ring. Also, be sure that excess solder is not shorting terminals to aft slip ring. If cause for short cannot be found, unsolder field winding leads from slip ring terminals and connect ohmmeter directly to leads. If correct reading is now obtained, or if reading is still low, slip rings and rotor field windings are shorted, and complete rotor assembly must be replaced.



73112

- a** - Field Winding Leads
- b** - Slip Rings
- c** - Rotor Shaft
- d** - Pole Pieces

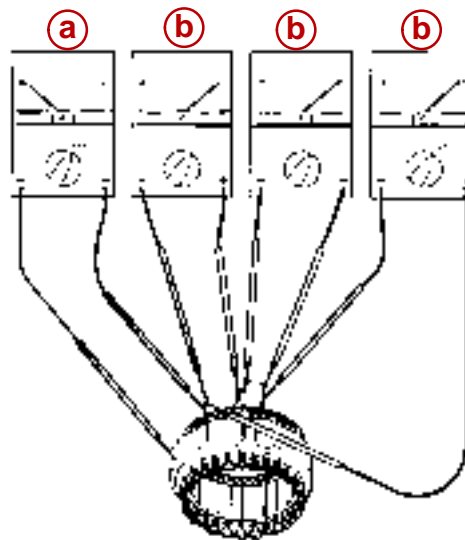
2. Test rotor field circuit for grounds (Test 2), using an ohmmeter (set on R x1 scale) as follows:
  - a. Connect one lead of ohmmeter to either slip ring and the other lead to rotor shaft or pole pieces.
  - b. Meter should indicate no continuity (meter should not move).
  - c. If continuity does exist, complete rotor assembly must be replaced.

**IMPORTANT: If alternator has output at low speeds, but no output at high speeds, rotor field winding may be shorting or grounding out, due to centrifugal force. Replace rotor if all other electrical components test good.**

## STATOR

**IMPORTANT: Stator leads MUST BE disconnected from rectifier for this test.**

1. Test stator for grounds (Test 1), using an ohmmeter (set on R x1 scale) as follows:
  - a. Connect one lead of ohmmeter to one of the stator leads and the other lead to stator frame. Be sure that lead makes good contact with frame.
  - b. Meter should indicate no continuity (meter should not move). If continuity does exist, stator is grounded and must be replaced.
2. Test for opens in stator (Test 2), using an ohmmeter (set on R x1 scale) as follows:
  - a. Connect ohmmeter between each pair of stator windings (three different ways).
  - b. Continuity should be present in all three cases (meter should move). If it does not, one or more of the windings are open and stator must be replaced.



72833

### Testing Stator

- a** - Test 1
- b** - Test 2

3. A short in the stator is difficult to detect without special equipment, because of the low windings resistance. If all other electrical components test out good, and alternator fails to produce rated output, stator probably is shorted and should be replaced. Also, examine stator for heat discoloration, as this usually is a sure sign of a short.

## RECTIFIER AND DIODE ASSEMBLY

**NOTE:** Failure of any component in tests following will require replacement of entire rectifier assembly.

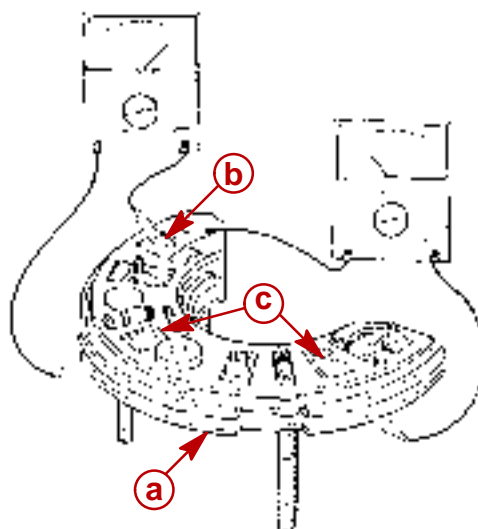
### NEGATIVE (-) RECTIFIER

**IMPORTANT:** Rectifier **MUST BE** disconnected from stator for this test.

#### ⚠ CAUTION

**DO NOT** use a test instrument with more than a 12 volt source (in the following test), as rectifier may be damaged.

1. Connect one lead of an ohmmeter (set on R x1 scale) to negative (-) rectifier heat sink and the other lead to one of the rectifier terminals. Note the reading.
2. Reverse leads and again note reading.
3. Meter should indicate a high or infinite resistance (no meter movement) when connected one way and a low reading when connected the other. If both readings are high or infinite, rectifier is open. If both readings are low, rectifier is shorted.
4. Repeat Steps 1 through 3 for two other rectifiers in heat sink.
5. Replace assembly if any of the rectifiers is shorted or open.



72147

- a** - Heat Sink
- b** - Rectifier Terminal
- c** - Test These Two Rectifiers in Same Manner

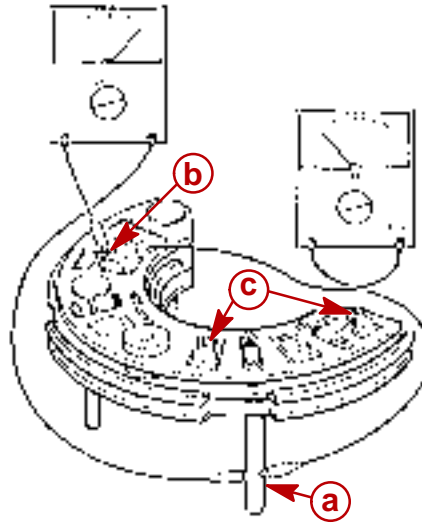
### POSITIVE (+) RECTIFIER AND DIODES

#### ⚠ CAUTION

**DO NOT** use a test instrument with more than a 12 volt source (in the following test), as rectifier may be damaged.

1. Connect one lead of an ohmmeter (set on R x1 scale) to 1/4in. stud on positive (+) rectifier heat sink and the other lead to one of the rectifier terminals. Note the meter reading.
2. Reverse leads and again note reading.

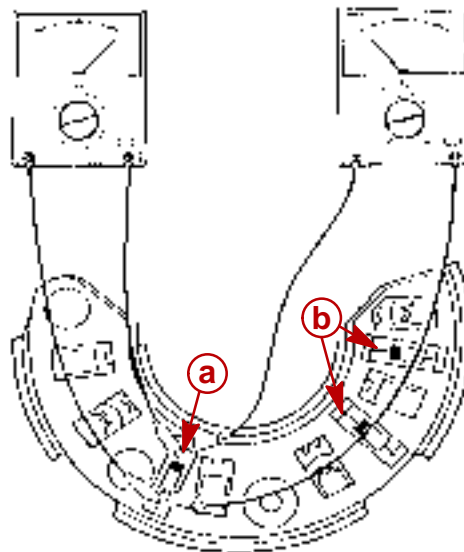
3. Meter should indicate a high or infinite resistance (no meter movement) when connected one way and a low reading when connected the other. If both readings are high or infinite, rectifier is open. If both readings are low, rectifier is shorted.
4. Repeat Steps 1 through 3 for two other rectifiers in heat sink.



72834

- a** - Stud
- b** - Rectifier Terminal
- c** - Repeat Test Between These Terminals And Stud

5. Replace assembly if any one of the rectifiers is shorted or open.
6. Connect one lead of an ohmmeter (set on R x1) to the common side of the diode and the other lead to the other side, of one of the three diodes.



72148

- a** - Common Side of Diode Circuit Board
- b** - Repeat Test for These Two Diodes

7. Reverse leads and again note reading.
8. Meter should indicate a high or infinite resistance (no meter movement) when connected one way and a low reading when connected the other. If both readings are high or infinite, diode is open. If both readings are low, diode is shorted.
9. Repeat Steps 6 through 8 for the other two diodes.
10. Replace rectifier assembly if any one of the diodes is shorted or open.

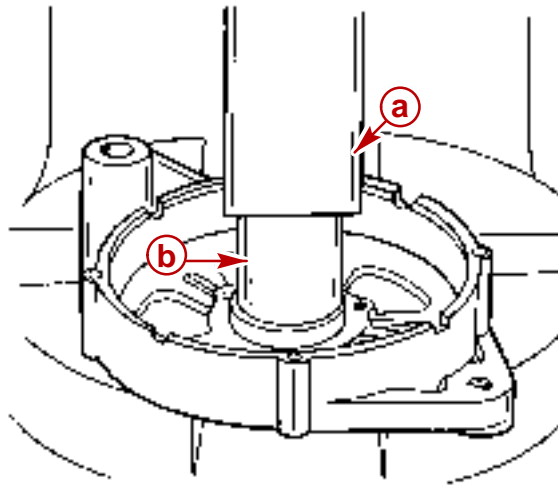


## CONDENSER

1. Using magneto analyzer and accompanying instructions, perform the following condenser tests:
  - a. Condenser Capacity Test (must be .5 mfd).
  - b. Condenser Short or Leakage Test.
  - c. Condenser Series Resistance Test.
2. Replace condenser if test results are not within specifications.

## Reassembly

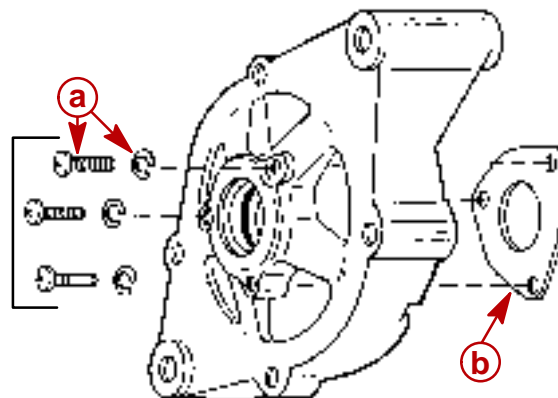
1. Install new front bearing into front end frame bearing bore using an arbor press. If necessary, use a bearing driver that contacts outer race only.



72835

- a** - Press  
**b** - Mandrel

2. Install front bearing retaining plate using three Phillips head screws and lockwashers.



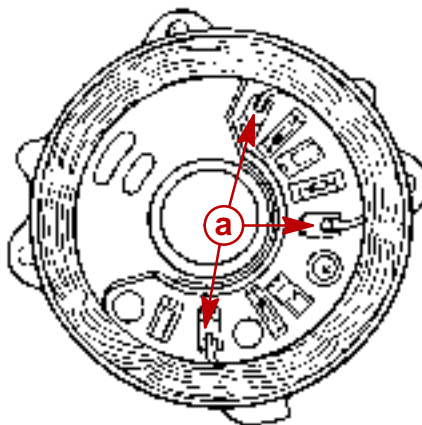
72829

- a** - Phillips Head Screws and Lockwashers  
**b** - Front Bearing Retaining Plate

3. Slide front end frame over rotor.

**IMPORTANT: DO NOT clamp vise on rotor pole pieces when tightening pulley nut (in next step), or pole pieces may be distorted.**

4. Slide fan spacer onto rotor shaft. Install fan, pulley, lockwasher and nut on shaft. Clamp pulley in a vise, using protective jaws or an old oversize V-belt to protect pulley, and torque nut to specifications. Tighten vise only enough to allow tightening of nut, as excessive tightening may distort pulley.
5. Assemble stator to rectifier by soldering the three leads to the three rectifier terminals.



72826

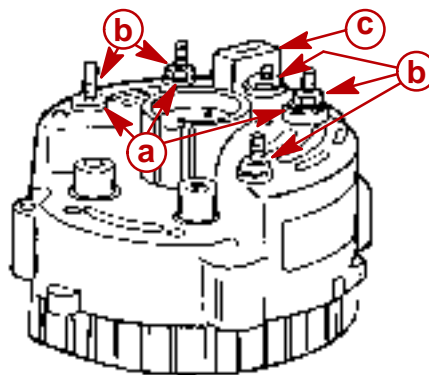
**a** - Stator Lead Connections

**NOTE:** Be sure to connect leads to their original positions.

6. Install assembled stator and rectifier assembly into rear end frame, aligning scribe marks on each (scribed during disassembly), and install Phillips head screw and washer to retain.

**IMPORTANT: The insulating washers MUST BE installed as shown or damage to the alternator will result.**

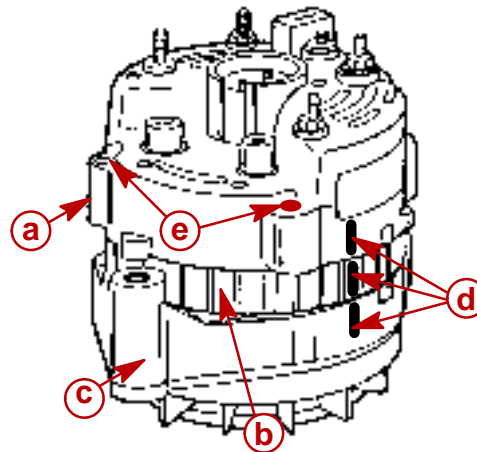
7. Position stator down with rear end frame up and reinstall insulators, nuts and condenser.



72561

**a** - Insulators (3)  
**b** - Nuts (5) (One Removed)  
**c** - Condenser

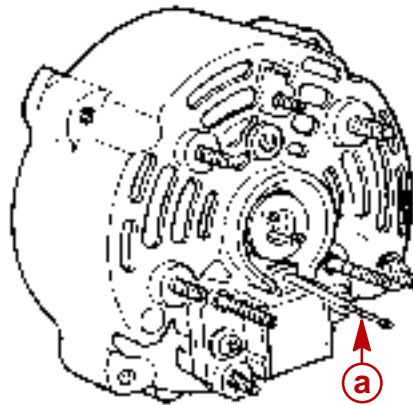
8. Position rear end frame and stator assembly over front end frame and rotor assembly and align scribe marks on each (scribed during disassembly). Hand-press end frames together, then install four screws. Tighten screws securely.



72561

- a** - Rear End Frame
- b** - Stator
- c** - Front End Frame
- d** - Scribe Marks
- e** - Insert Screws (4) (Two Hidden)

9. Depress brushes flush with top of brush holder and insert a #54 drill bit or smaller (.050in.) into hole in brush holder to hold brushes compressed during reassembly.

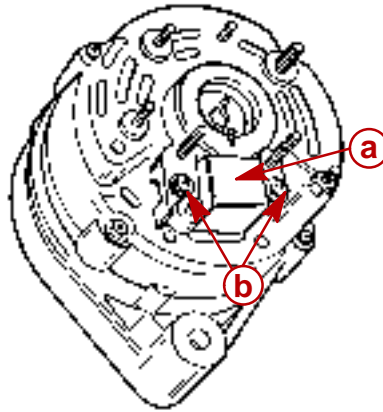


72836

- a** - Drill Bit

**NOTE:** Shown with rubber gasket removed for clarity.

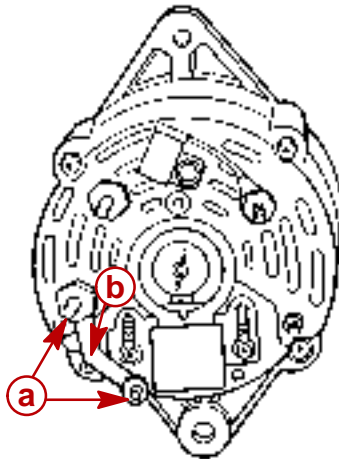
10. Install brush/regulator assembly in rear end frame cavity and secure with two mounting screws, as shown. Tighten screws securely. Remove drill bit to release brushes against slip rings.



72837

- a** - Brush/Regulator Assembly  
**b** - Mounting Screws

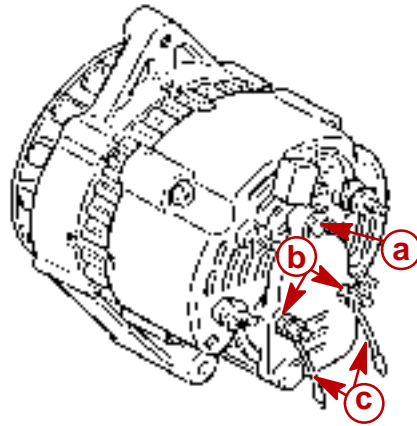
11. Install tie strap to rectifier stud and stud on brush/rectifier assembly. Tighten nuts securely.



72823

- a** - Studs  
**b** - Tie Strap

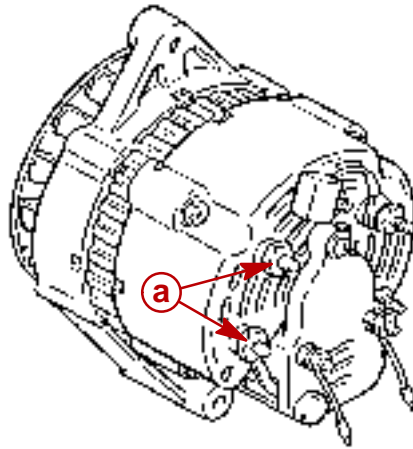
12. Install cover with one Phillips head screw and two nuts. Install two leads with nuts.



72963

- a** - Phillips Head Screw
- b** - Nuts (4)
- c** - Leads

13. Install insulator caps.

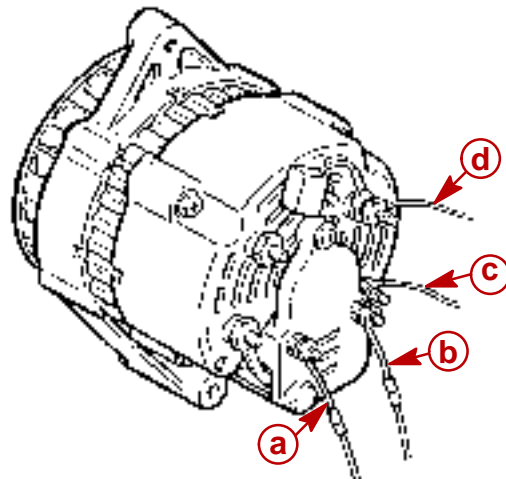


72078

- a** - Insulator Caps

# Installation

1. Position alternator in mounting bracket and install mounting bolt, washers (if used), spacer and nut. Place washers (if used), on each side of spacer. DO NOT tighten securely at this time.
2. Fasten alternator brace to alternator with bolt, washers and spacer (if used). DO NOT tighten bolt at this time.
3. Position alternator drive belt on pulleys and adjust tension as explained under "Drive Belt Tension Adjustment."
4. Reconnect wiring harness to alternator and negative battery cable to battery.



72838

- a - Excitation Lead - PURPLE
- b - Sensing Lead - RED/PURPLE
- c - Ground Lead - BLACK
- d - Output Lead - ORANGE

**IMPORTANT:** Alternators used on MerCruiser engines ARE NOT equipped with an isolation diode.

## ⚠ CAUTION

Follow battery isolator manufacturer's instructions for wire gauge. Battery isolator installation must conform to BIA Low Voltage Wiring Standard No. 125-79.

**NOTE:** MerCruiser engines equipped with a 3-wire, belt driven alternator can use a battery isolator.

# Batteries

## Battery Cables

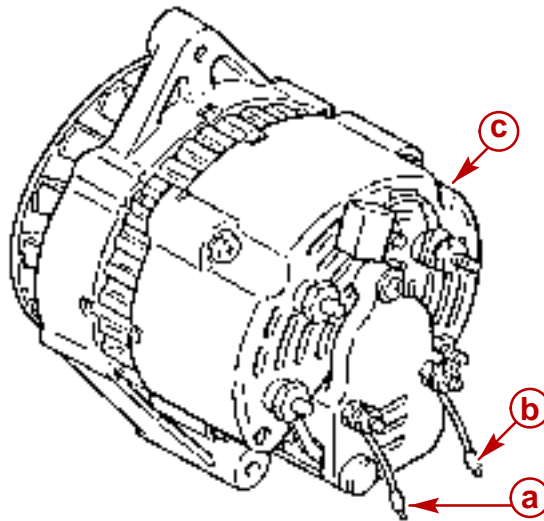
Select proper size positive (+) and negative (-) battery cables, using chart. Battery should be located as close to engine as possible.

**IMPORTANT: Terminals must be soldered to cable ends to ensure good electrical contact. Use electrical grade (resin flux) solder only. Do not use acid flux solder as it may cause corrosion and a subsequent failure.**

Cable Length	Cable Gauge	
	Up to 3 - 1/2 ft (1.1m)	4
3-1/2 - 6 ft (1.1-1.8m)	2	(35mm <sup>2</sup> )
6 ft - 7-1/2 ft (1.8-2.3m)	1	(50mm <sup>2</sup> )
7-1/2 - 9-1/2 ft (2.3-2.9m)	0	(50mm <sup>2</sup> )
9-1/2 - 12 ft (2.9-3.7m)	00	(70mm <sup>2</sup> )
12 - 15 ft (3.7-4.6m)	000	(95mm <sup>2</sup> )
15 - 19 ft (4.6-5.8m)	0000	(120m <sup>2</sup> )

# Mando 55 Amp Alternator

## Identification



72078

### Mando 55 Amp Alternator

- a** - Excitation Wire - PURPLE
- b** - Sensing Wire - RED/PURPLE
- c** - Mando Part Number (Hidden In This View)

## Replacement Parts Warning

### **⚠ WARNING**

Electrical, ignition and fuel system components on your MerCruiser are designed and manufactured to comply with U.S. Coast Guard Rules and Regulations to minimize risks of fire and explosion.

Use of replacement electrical, ignition or fuel system components, which do not comply with these rules and regulations, could result in a fire or explosion hazard and should be avoided.

## Specifications

Description	Specification
Excitation Circuit	1.3-2.5 Volts
Current Output	50 Amp Minimum
Voltage Output	13.9-14.7 Volts
Condenser Capacity	.5 MFD
Minimum Brush Length	1/4in. (6mm)



## Tools

Description	Part Number
Bearing Removal and Installation Kit	91-31229A7
Magneto Analyzer	91-76032
Universal Puller Plate	91-37241
Multi-Meter/DVA Tester	91-99750A1
Ammeter (0-50 Amps)	Obtain Locally

## Lubricants/Sealants/Adhesives

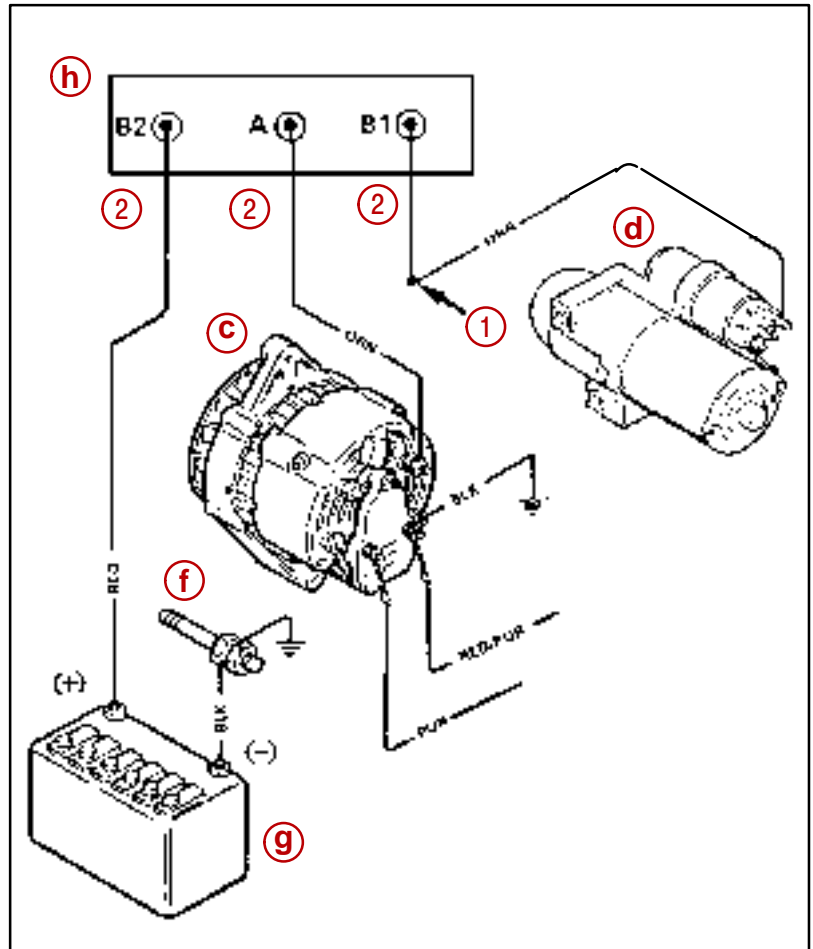
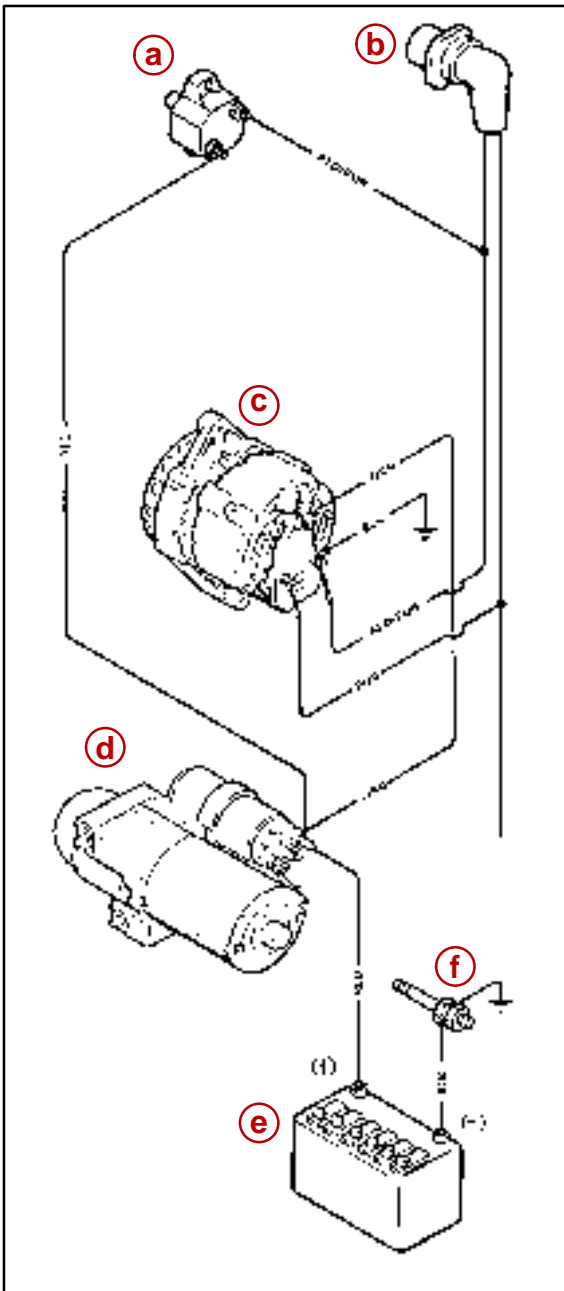
Description	Part Number
Quicksilver Liquid Neoprene	92-27511--3

## Torque Specifications

Fastener Location	lb-in.	lb-ft	Nm
End Frame Screws	55		6.5
Brush Setscrews	18		1.5
Regulator Mounting Screws	43		4.5
Regulator Leads	25		2.5
Ground Terminal Nut	25		2.5
Pulley Nut		42	58
Alternator Brace to Alternator	192		28
Alternator Brace to Block		30	40
Alternator to Mounting Bracket	35		48
Alternator Mounting Bracket	30		41
V-Belt Tension (Note)	Depress 1/2in. (13mm)		

**NOTE:** Depress belt with thumb at midway point between circulating pump pulley and alternator.

# Battery Isolator Diagram



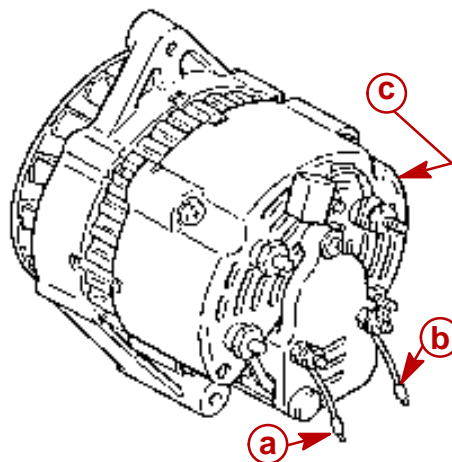
72934

- a** - Circuit Breaker
- b** - Harness Connector
- c** - Alternator
- d** - Starter
- e** - Cranking Battery
- f** - Ground Stud
- g** - Auxiliary Battery
- h** - Isolator

- 1** - Disconnect Orange Wire From Alternator "Batt" Terminal. Splice Sufficient Gauge Wire To The Orange Wire And Connect As Shown.
- 2** - 8 Gauge Minimum

# Mando 65 Amp Alternator

## Identification



72078

### Mando 65 Amp Alternator

- a** - Excitation Wire - PURPLE
- b** - Sensing Wire - RED/PURPLE
- c** - Mando Part Number (Hidden In This View)

## Replacement Parts Warning

### **⚠ WARNING**

Electrical, ignition and fuel system components on your MerCruiser are designed and manufactured to comply with U.S. Coast Guard Rules and Regulations to minimize risks of fire and explosion.

Use of replacement electrical, ignition or fuel system components, which do not comply with these rules and regulations, could result in a fire or explosion hazard and should be avoided.

## Specifications

Description	Specification
Excitation Circuit	1.3 to 2.5 Volts
Current Output	60 Amp. Min.
Voltage Output	13.9 to 14.7 Volts
Min. Brush Length	1/4in. (6 mm)

## Tools

Description	Part Number
Bearing Removal and Installation Kit	91-31229A7
Universal Puller Plate	91-37241
Multi-Meter/DVA Tester	91-99750A1
Ammeter (0-100 Amp)	Obtain Locally

## Lubricants/Sealants/Adhesives

Description	Part Number
Quicksilver Liquid Neoprene	92-27511--3

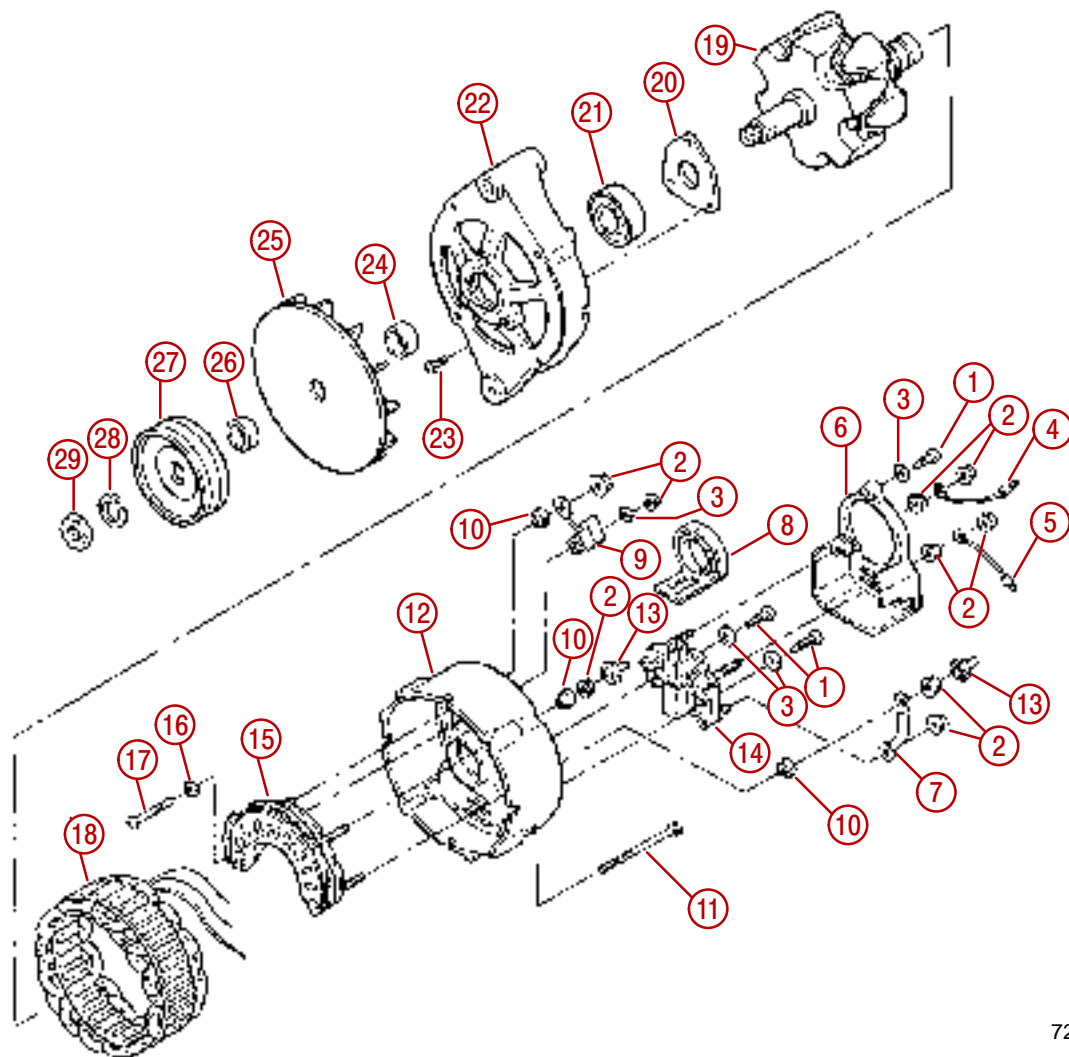
## Torque Specifications

Fastener Location	lb-in.	lb-ft	Nm
End Frame Screws	55		5.5
Brush Setscrews	18		1.5
Regulator Mounting Screws	42		4.2
Regulator Leads	25		2.5
Ground Terminal Nut	25		2.5
Pulley Nut		42	57
Alternator to Mounting Bracket		35	48
Alternator Mounting Bracket		30	41
Belt Tension	See Note		

**NOTE:** Belt deflection is to be measured on the belt at the location that has the longest distance between two (2) pulleys. Normally this location is between the power steering pump and the belt adjustment pulley. This location will be different on engines with closed cooling or models without power steering.

**NOTE:** Depress belt with thumb at midway point between circulating pump pulley and alternator.

# Exploded View



72276

- |  |                                 |
|--|---------------------------------|
| <b>1</b> - Screws (3)                  | <b>16</b> - Flat Washer         |
| <b>2</b> - Nut (9)                     | <b>17</b> - Screw               |
| <b>3</b> - Flat Washer (4)             | <b>18</b> - Stator              |
| <b>4</b> - Sensing Wire (RED / PURPLE) | <b>19</b> - Rotor And Slip Ring |
| <b>5</b> - Excitation Wire (PURPLE)    | <b>20</b> - Retaining Plate     |
| <b>6</b> - Cover                       | <b>21</b> - Front Bearing       |
| <b>7</b> - Tie Strap                   | <b>22</b> - End Frame (Front)   |
| <b>8</b> - Rubber Gasket               | <b>23</b> - Screw (3)           |
| <b>9</b> - Condenser                   | <b>24</b> - Fan Spacer          |
| <b>10</b> - Insulator                  | <b>25</b> - Fan                 |
| <b>11</b> - Bolt (4)                   | <b>26</b> - Pulley Spacer       |
| <b>12</b> - End Frame (Rear)           | <b>27</b> - Pulley              |
| <b>13</b> - Cap (2)                    | <b>28</b> - Lockwasher          |
| <b>14</b> - Brush / Regulator Assembly | <b>29</b> - Nut                 |
| <b>15</b> - Rectifier Assembly         |                                 |

**THIS PAGE IS INTENTIONALLY BLANK**

# ELECTRICAL SYSTEM

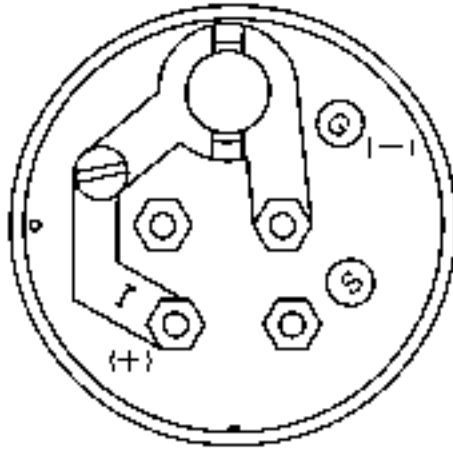
## Section 4D - Instrumentation

### Table of Contents

Identification .....	4D-2	Senders .....	4D-10
Special Information .....	4D-3	Oil Pressure .....	4D-10
Lighting Options .....	4D-3	Water Temperature Sender .....	4D-11
Gauges .....	4D-5	Fuel Tank Sender .....	4D-14
Oil, Fuel and Temperature .....	4D-5	Flange Type .....	4D-14
Battery Gauge .....	4D-7	Capsule Type .....	4D-15
Cruiselog Meter .....	4D-8	Switches .....	4D-16
Vacuum Gauge .....	4D-8	Ignition Key Switch .....	4D-16
Speedometer .....	4D-9	Audio Warning System .....	4D-17
Tachometer .....	4D-9	Buzzer .....	4D-17
Gauge Replacement .....	4D-9	Oil Pressure Switch .....	4D-18
		Water Temperature Switch .....	4D-18

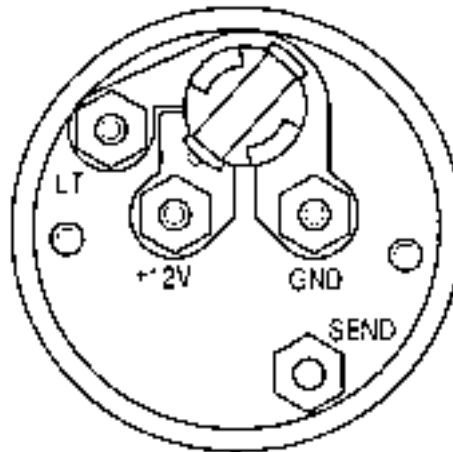
## Identification

One of three distinct lines (Series) of Quicksilver gauges may be installed (if equipped with Quicksilver gauges). Aside from different gauge face appearances and styling, the back of the gauges and wiring connections are different as shown.



72746

**Back of Commodore and International Series Gauge - Typical**



72965

**Back of QSI Series Gauge - Typical**



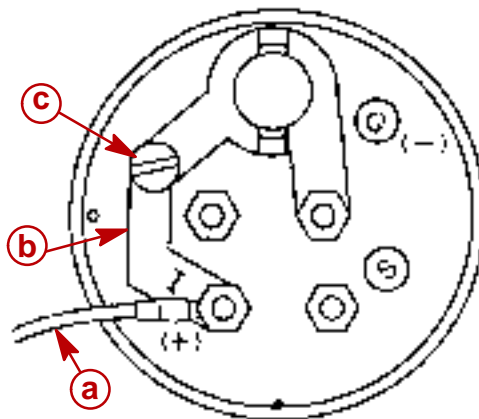
# Special Information

## Lighting Options

### COMMODORE AND INTERNATIONAL SERIES

These gauges may be wired so that the illumination lighting is provided from the ignition switch or a separate instrumentation lighting switch.

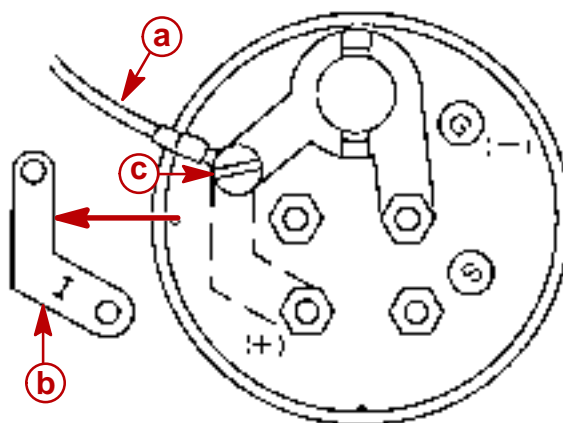
By removing contact strip "I" from between + terminal and the screw as shown following, and supplying a separate +12 V power supply to the screw connection, illumination lights can be operated independent of ignition switch.



72966

#### Ignition Switch Lighting Circuit

- a** - +12 V Power Supply From Ignition Switch
- b** - Contact Strip "I"
- c** - Screw Connection



72967

#### Separate Instrumentation Lighting Circuit Wiring

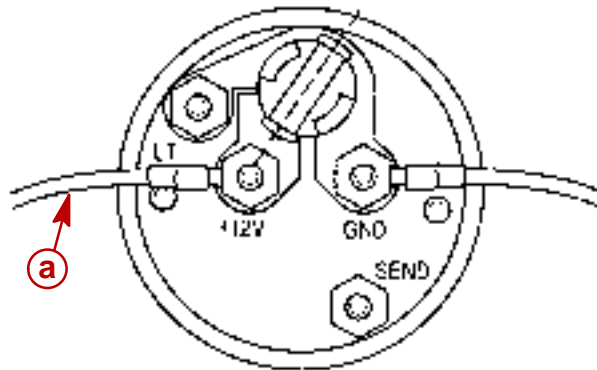
- a** - 12 Volt Power Supply From Separate Instrumentation Lighting Circuit
- b** - Contact Strip "I" - Removed
- c** - Screw Connection

## QSI SERIES

These gauges are equipped with optional illumination lighting. Light bulb socket can be removed and contacts can be aligned to be used with ignition switch lighting circuit +12 V or separate instrumentation lighting circuit LT.

**IMPORTANT:** Light socket must be removed from gauge and turned counterclockwise (facing back of gauge) when adjusting to desired setting. Turning socket while still installed in gauge could result in damage to gauge or socket.

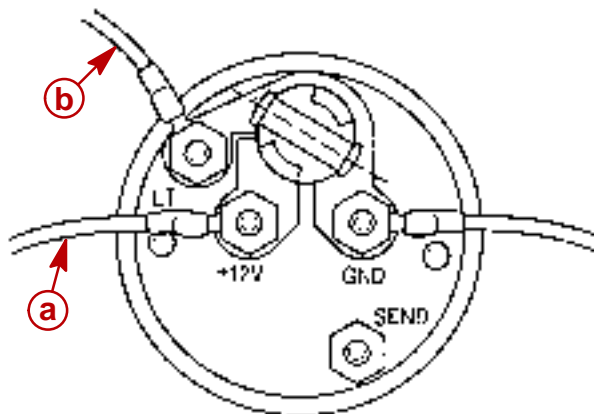
**NOTE:** For different lighting effects, colored sleeves are available through the Quicksilver Accessories and can be assembled to the bulb.



72968

#### Ignition Switch Lighting Circuit Position

**a** - +12 V Power Supply From Ignition Switch



72969

#### Separate Instrumentation Lighting Circuit Position

**a** - +12 V Power Supply From Ignition Switch

**b** - +12 V Power Supply From Separate Instrumentation Lighting Circuit

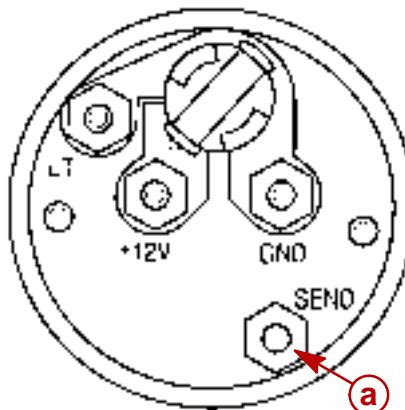
# Gauges

## Oil, Fuel and Temperature

**IMPORTANT:** If testing proves gauge to be defective, it must be replaced as there is no repair available.

### TESTING

1. Turn ignition switch to OFF.
2. Remove wire from terminal S (SEND).

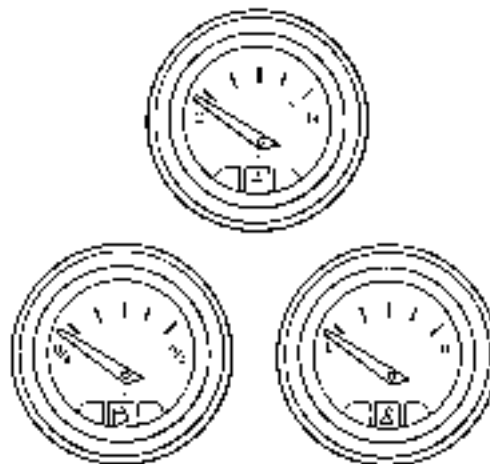


72965

#### Typical

**a** - Sender Terminal

3. Turn ignition switch to RUN. Gauge being tested must be at position A.



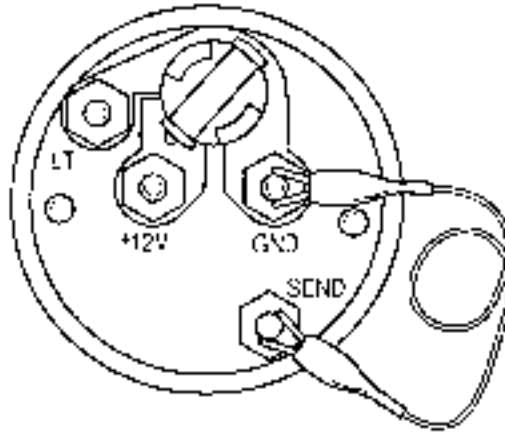
72747

#### Typical

#### Position A

4. Turn ignition switch to OFF.

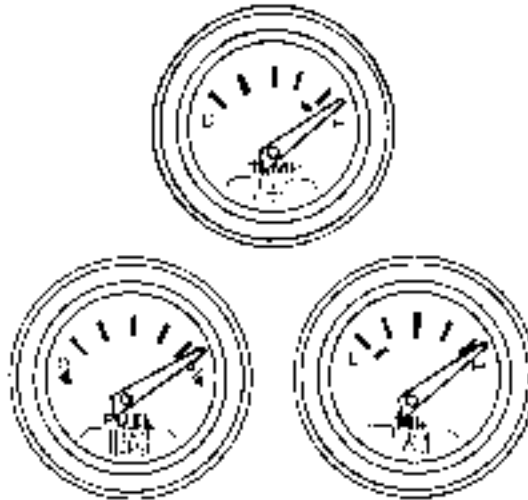
5. Connect jumper wire from terminal G (GND) to terminal S (SEND).



72748

**Typical**

6. Turn ignition switch to RUN.
7. Indicator needle of gauge being tested must read at position B. If not, replace gauge.



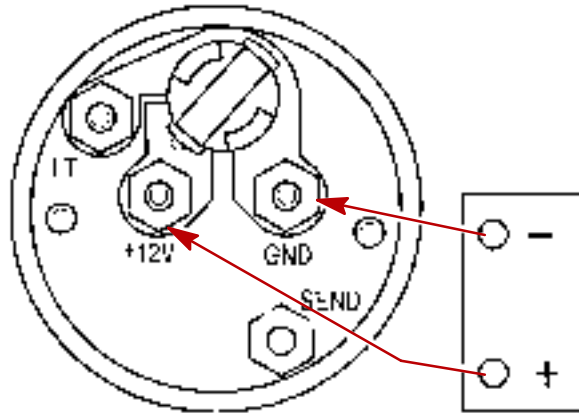
72749

**Typical****Position B**

## Battery Gauge

### TESTING

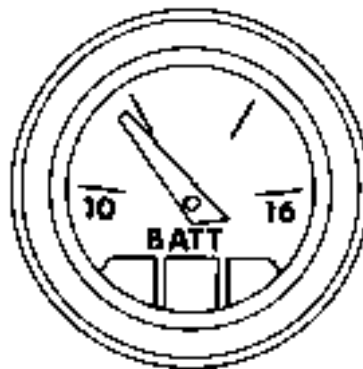
1. Remove cables from battery and fully charge battery.
2. Connect negative (-) jumper lead from battery to gauge terminal G (GND).
3. Connect positive (+) jumper lead from battery to gauge terminal I or +12 V.



72750

### Typical

4. Check gauge reading; if not as shown replace gauge.



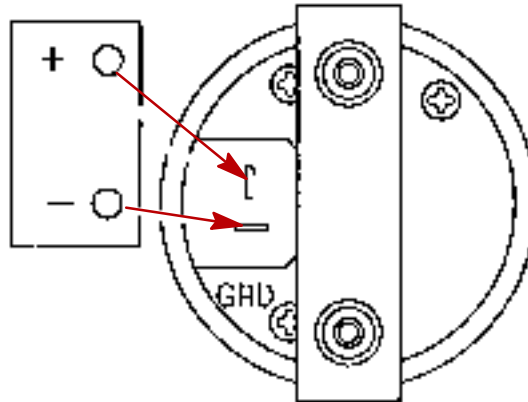
72751

### Typical

## Cruiselog Meter

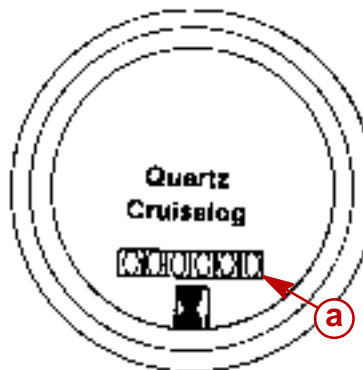
### TESTING

1. Connect jumper wire from negative (-) battery terminal to negative (-) gauge terminal.
2. Connect jumper wire from positive (+) battery terminal to positive (+) gauge terminal.



72752

3. Observe gauge run indicator. If indicator is turning, gauge is operable; if not, replace gauge.



72753

**a** - Indicator

## Vacuum Gauge

### TESTING

1. Disconnect vacuum hose from engine. Connect service vacuum gauge to engine and record engine vacuum readings at idle, 1000, 2000 and 3000 rpm. Reconnect vacuum hose and compare vacuum gauge readings (at specified rpm) with service gauge readings. Readings should be within 3 inches of vacuum of each other.

**IMPORTANT: Make sure that vacuum hose between gauge and engine is not leaking and that all connections are tight.**

## Speedometer

### TESTING

**IMPORTANT: When testing speedometer gauge for accuracy, the air supply used for the test must be regulated to the specified air pressure. Do not apply excessive air pressure to speedometer gauge.**

1. Apply air pressure directly to speedometer gauge (specified in chart) and note gauge reading. Light tapping of pressure gauge is required during accuracy check.
2. If gauge readings are not within specifications, gauge is defective.

### CALIBRATION CHART

Air Pressure Gauge psi	Speedometer Gauge MPH (km/Hr)
5.3	20 ± 1 (32 ± 1.6)
27.8	45 ± 1 (72 ± 1.6)

## Tachometer

### TESTING

1. Connect a service tachometer to engine and compare readings.
2. Replace if not within specifications.

Tachometer Type	Allowable Range
6000 rpm	± 150 rpm
8000 rpm	± 200 rpm

## Gauge Replacement

1. Disconnect battery cables from battery.
2. Remove wires from back of gauge.
3. Remove hoses (vacuum, speedometer gauge).
4. Disconnect light socket.
5. Remove holding strap and remove gauge.
6. Position gauge assembly in appropriate mounting hole.
7. Install holding strap and nuts. Tighten nuts evenly and securely.

**IMPORTANT: Do not distort case or bracket by overtightening.**

8. Connect ground (BLACK) wire to ground terminal, if gauge is not mounted in metal panel.
9. Connect other wires to gauge as shown in SECTION 4E.
10. Connect hoses (vacuum, speedometer gauges).
11. Install gauge light socket.
12. Coat all terminals with Quicksilver Liquid Neoprene.
13. Reconnect battery cables to battery.

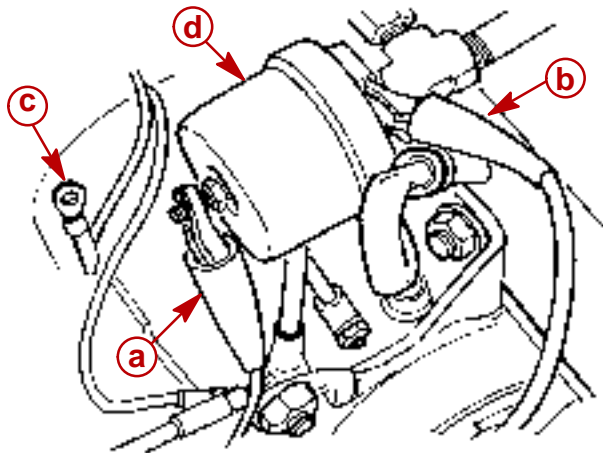
# Senders

## Oil Pressure

### TESTING

**IMPORTANT:** Use following test procedure for checking accuracy of oil pressure sender only. If oil pressure gauge indicates zero oil pressure, refer to SECTION 4C "Troubleshooting."

1. Remove wire from sender terminal.
2. Connect ohmmeter between sender terminal and sender case. Check ohms reading without engine running (zero pressure), then check reading with engine running. Compare oil pressure and ohms readings as shown in following chart:



72754

- a** - Positive Lead
- b** - Negative Lead
- c** - Wire Removed
- d** - Oil Pressure Sender

Oil Pressure (psi)	Ohms Reading	
	Single	Dual
0	227-257	113.5-128.5
20	142-162.5	71-81.3
40	91.7-113.6	45.9-56.8
80	9-49	11-24.5

### DUAL STATION SENDER IDENTIFICATION

Sender will have 3353-AM stamped on hex of sender.

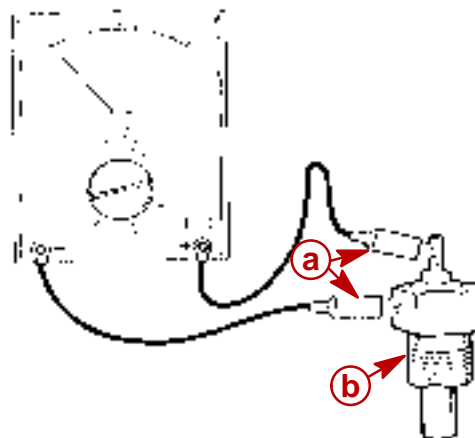


## Water Temperature Sender

There is no accurate test that can be done without special equipment. Install new sender.

### TESTING

1. Connect an ohmmeter between temperature sender terminal (+) and hex (case) for ground (-) as shown.



72768

- a** - Ohmmeter Leads  
**b** - Water Temperature Sender

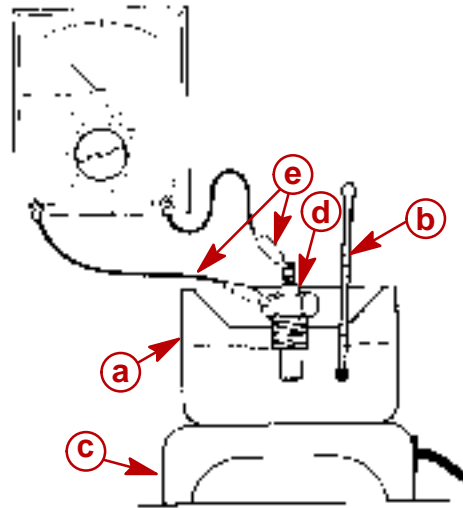
### **⚠ WARNING**

The following test involves the use of intense heat. Failure to follow appropriate procedures or warnings can cause burns which can result in severe personal injury. While performing the following test, observe these general precautions:

- Wear personal protective clothing such as rubber gloves, a non-flammable apron, and eye protection - preferably full face shield or safety glasses.
- The appropriate heat source should only be electric. Heat source should be operated by a qualified person. Be sure to follow all instructions of the manufacturer of the heat source. The heat source should be checked each time it is used to be sure it is functioning properly.
- The thermometer used in the test should be a high-temperature thermometer with a maximum reading of at least 300°F (150°C). Under no circumstances should the operator allow temperatures to exceed test specifications.
- Perform test only in a well ventilated area.
- Use a suitable container, such as metal, to hold the water. Avoid use of glass containers unless the operator first confirms for himself/herself that the glass container is an appropriate high-temperature vessel.
- Because the components will reach high temperatures DO NOT handle materials or components until COMPLETELY cooled.

2. Follow these instructions:
  - a. With ohmmeter connected as outlined and using suitable container, thermometer and heat source, suspend sender with tip in water.
  - b. Heat water and observe thermometer.
  - c. As temperature rises ohmmeter readings must be within the ranges specified for each temperature (see chart below).
  - d. Turn heat source off. Allow water and components to cool.

**NOTE:** While water cools you may recheck ohmmeter readings.



72769

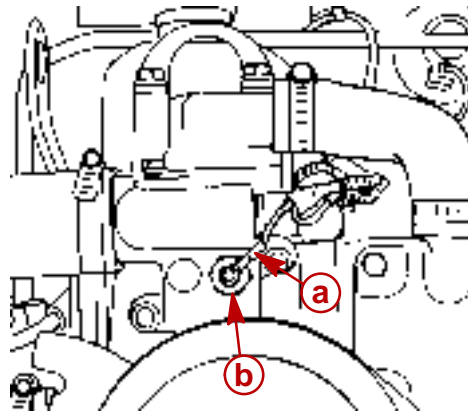
- a - Suitable Container
- b - Thermometer
- c - Heat Source
- d - Water Temperature Sender
- e - Ohmmeter Leads

Water Temperature	Ohms Reading
140°F (60°C)	121-147
194°F (90°C)	47-55
212°F (100°C)	36-41

3. Replace sender if ohmmeter readings are other than as shown for each temperature.

## INSTALLATION

1. Apply Loctite Pipe Sealant with Teflon to threads of temperature sender.
2. Install sender in thermostat housing and tighten securely.
3. Connect TAN wire and coat with liquid neoprene.



- a** - TAN Wire  
**b** - Water Temperature Sender

4. Refill closed cooling system with approved coolant as outlined in SECTION 6B.

## DUAL STATION SENDER IDENTIFICATION

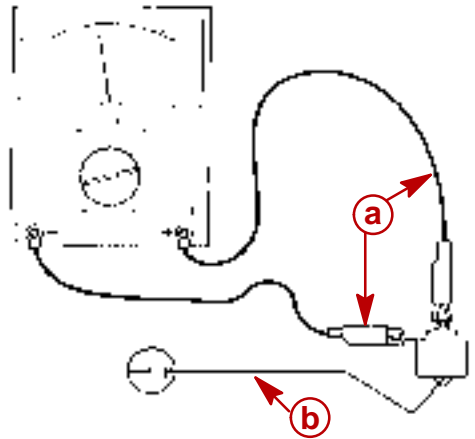
Sender will have 362-BC stamped on hex.

# Fuel Tank Sender

## Flange Type

### TESTING

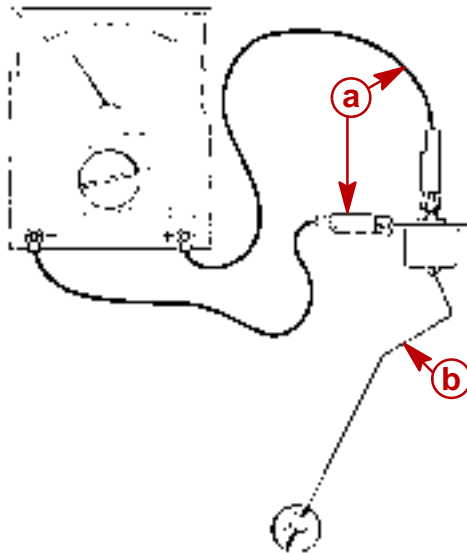
1. Disconnect wire from terminal on sending unit and ground wire from sending unit mounting screw.
2. Remove sending unit from fuel tank.
3. Connect ohmmeter between sending unit terminal and sending unit housing.
4. With float arm in FULL position (arm horizontal), ohmmeter should read 30 ohms ( $\pm 5$  ohms).



72755

**a** - Ohmmeter Leads  
**b** - Vertical Float Arm

5. With float arm in EMPTY position (arm vertical) meter should read 240 ohms ( $\pm 5$  ohms). Sender is defective if not within specifications.



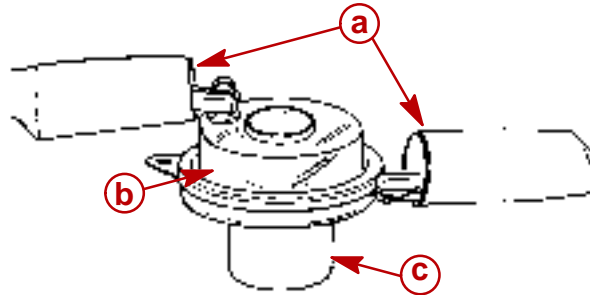
72756

**a** - Ohmmeter Leads  
**b** - Vertical Float Arm

## Capsule Type

### TESTING

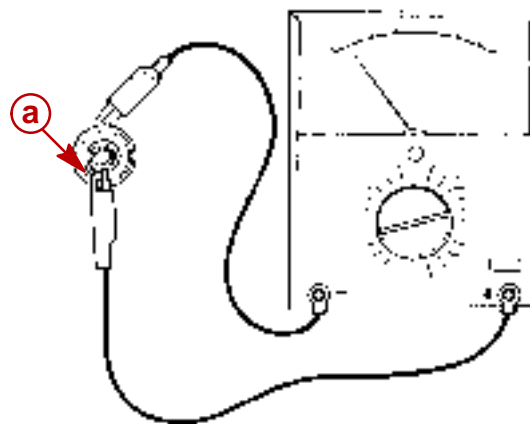
1. Disconnect wire from terminal on fuel tank capsule.
2. Remove two screws and remove capsule assembly.
3. Place a magnet under fuel capsule.
4. Connect ohmmeter between fuel capsule terminal and metal portion of capsule housing.



72757

- a** - Ohmmeter Leads
- b** - Capsule Assembly
- c** - Magnet

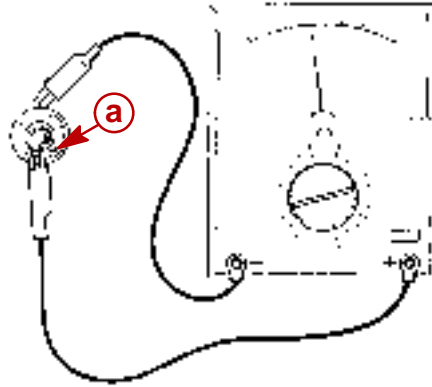
5. Turn magnet counterclockwise until fuel capsule indicator reads EMPTY. Ohmmeter should read 240 ohms ( $\pm 5$  ohms).



72758

- a** - Capsule Reading Empty

- Turn magnet clockwise until fuel capsule indicator reads FULL. Ohmmeter should read 30 ohms ( $\pm 5$  ohms). Fuel capsule is defective if not within specifications.



72759

**a** - Capsule Reading Full

## Switches

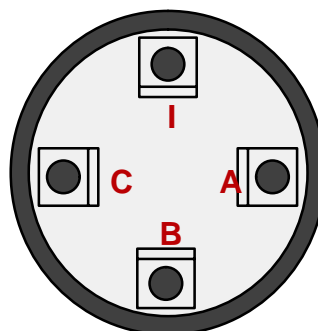
### Ignition Key Switch

#### TESTING

#### **⚠ WARNING**

**Disconnect battery cables from battery before testing ignition key switch with wires still connected to switch.**

- Before testing key switch, check all fuses and/or circuit breakers in electrical circuit which could prevent operation of starter.
- With key switch in OFF position, there should be no continuity between switch terminals.
- With key switch in RUN position, continuity will exist between switch terminals B to A and B to I. There should be no continuity between terminal C and any other terminals.
- With key switch in START, continuity will exist between terminals B to A, B to I and B to C.
- If ignition key switch tests bad, unsolder wire connections and remove switch. Test switch again, as in Steps 2-5, preceding. If switch tests good, wiring in harness is bad. There should be no continuity between any harness wires with key switch removed.



#### Switch Terminal Identification

# Audio Warning System

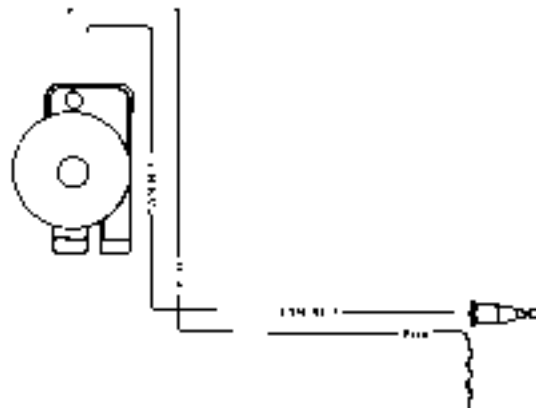
## Buzzer

### ⚠ WARNING

The following test involves the use of electricity. Failure to follow appropriate procedures can cause burns or shock which can result in severe personal injury or death.

## TESTING

1. Turn the ignition switch to the ON position without cranking the engine. The horn will sound if the system is working correctly.
2. If horn does not sound:
  - a. Connect jumper wires as shown.
  - b. If horn does not sound, replace it.
3. If horn worked in Step 3:
  - a. Connect jumper wires as shown.
  - b. Repeat Step 2.
  - c. If horn sounds, problem is in TAN/BLUE wire back to engine or switches on engine.



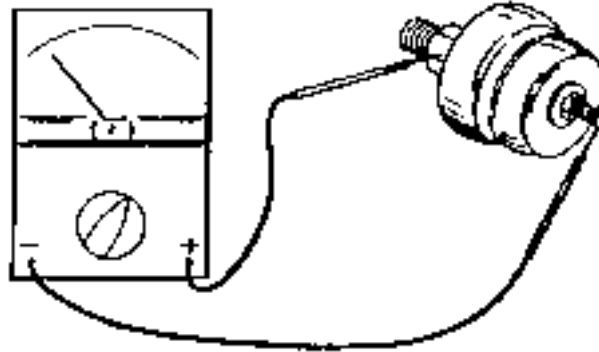
74046

## Oil Pressure Switch

Refer to SECTION 4E for switch locations. Switch is normally closed.

### TESTING

1. Remove wire from sender terminal.
2. Connect continuity meter between sender terminal and sender hex. (Sender shown removed for clarity.)



72764

3. With engine not running, meter should indicate full continuity.
4. Start engine. With engine running and engine oil pressure above 6 psi (41 kPa), meter should indicate NO continuity.

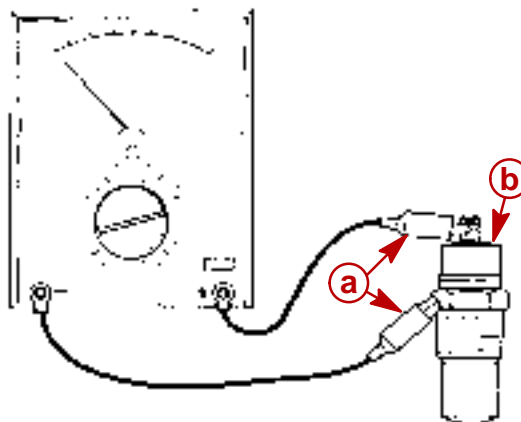
### SWITCH IDENTIFICATION

Switch has 364-AF stamped on hex of sender.

## Water Temperature Switch

### TESTING

1. Connect an ohmmeter between water temperature switch terminal (+) and hex (case) for ground (-) as shown.



72765

- a** - Ohmmeter Leads
- b** - Water Temperature Switch

2. Switch should read no continuity.



**⚠ WARNING**

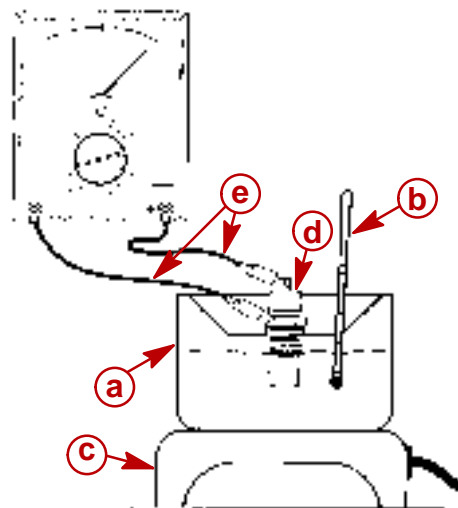
The following test involves the use of intense heat. Failure to follow appropriate procedures or warnings can cause burns which can result in severe personal injury. While performing the following test, observe these general precautions:

- Wear personal protective clothing such as rubber gloves, a non-flammable apron, and eye protection - preferably full face shield or safety glasses.
- The appropriate heat source should only be electric. Heat source should be operated by a qualified person. Be sure to follow all instructions of the manufacturer of the heat source. The heat source should be checked each time it is used to be sure it is functioning properly.
- The thermometer used in the test should be a high- temperature thermometer with a maximum reading of at least 300°F (150°C). Under no circumstances should the operator allow temperatures to exceed test specifications.
- Perform test only in a well ventilated area.
- Use a suitable container, such as metal, to hold the sand. Avoid use of glass containers unless the operator first confirms for himself/herself that the glass container is an appropriate high-temperature vessel.
- Because the components will reach high temperatures DO NOT handle materials or components until COMPLETELY cooled.

**⚠ WARNING**

Use only clean, dry sand such as used for general sandblasting purposes. Use of sand containing contaminants could result in hazards such as fire, short circuiting, hot-spots, or other hazards.

3. Follow these instructions:
  - a. With an ohmmeter connected as outlined and using suitable container, thermometer and heat source, suspend sender with tip in sand.
  - b. Heat sand and observe temperature on thermometer.



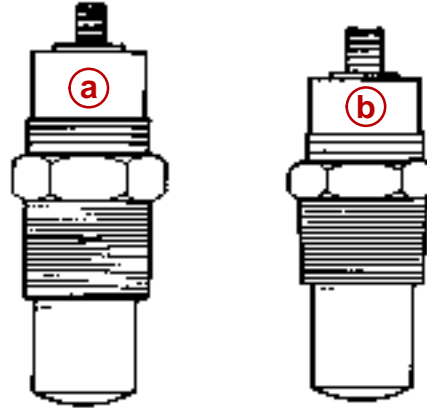
- a - Suitable Container
- b - Thermometer
- c - Heat Source
- d - Water Temperature Switch
- e - Ohmmeter Leads

72766

- c. As temperature rises, switch will close and ohmmeter will indicate continuity. Refer to chart below for specifications.

48952 Switch	
Opens	150-170°F (60-77°C)
Closes	190-200°F (88-93°C)

87-86080 Switch	
Opens	175-195°F (79-91°C)
Closes	215-225°F (102-107°C)



72767

#### Switch Identification

- a** - 48952 Switch with Red Mylar Sleeve
  - b** - 87-86080 Switch with Black Mylar Sleeve
4. Turn heat source off. Allow sand to cool. Note thermometer reading to ensure switch "opens" up at specified temperature.
  5. Replace switch if switch fails to either open or close within the specified temperatures.

**THIS PAGE IS INTENTIONALLY BLANK**

**THIS PAGE IS INTENTIONALLY BLANK**

# ELECTRICAL SYSTEM

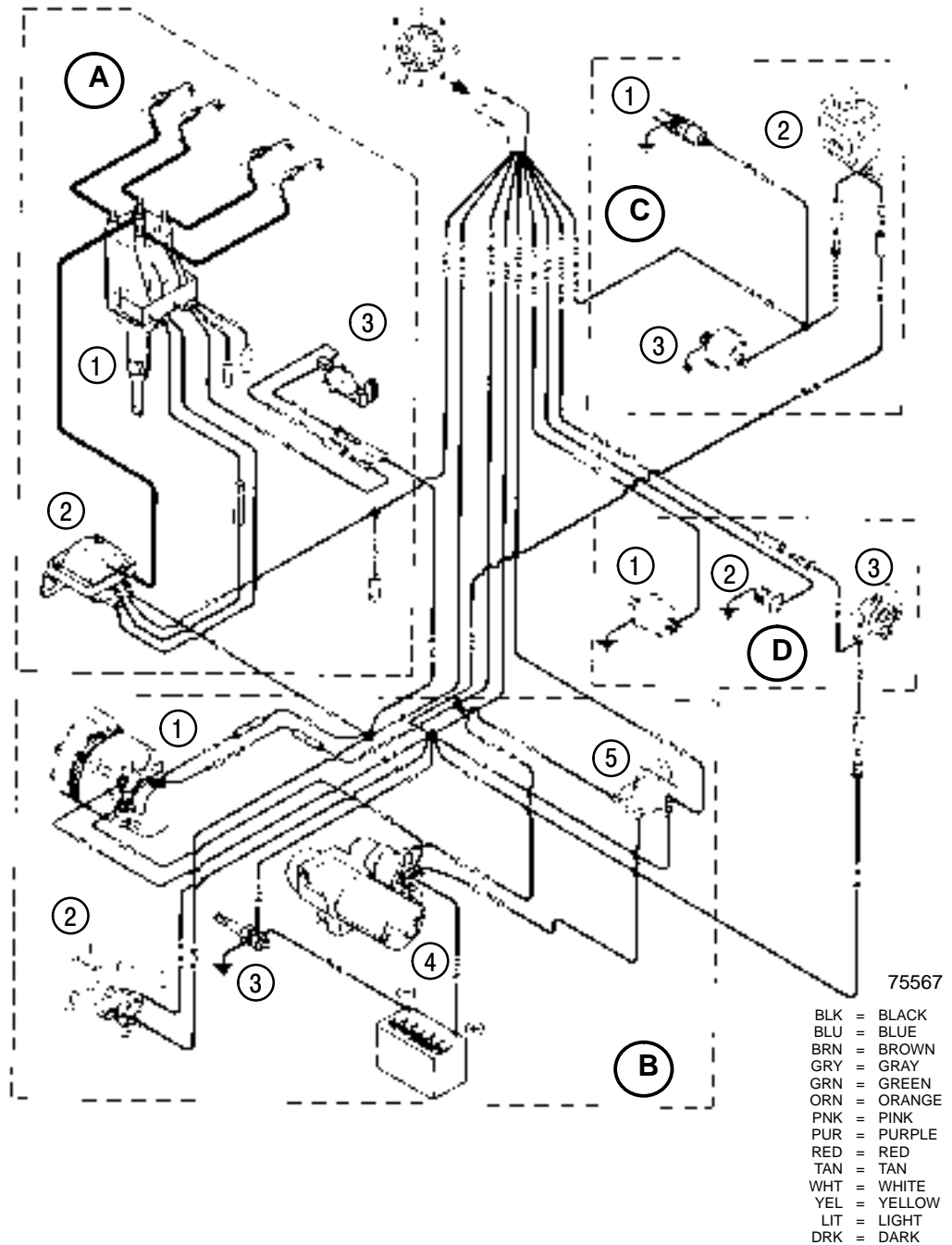
## Section 4E - WIRING DIAGRAMS

### Table of Contents

Wiring Diagrams .....	4E-2	Cruiselog .....	4E-10
MCM 3.0L Gasoline Engine Wiring Diagrams .....	4E-2	Fuel Gauge and Sender .....	4E-11
Quicksilver Instrumentation Wiring Diagram .....	4E-6	Audio Warning System .....	4E-12
Battery Meter Gauge .....	4E-10	Water Temperature Gauge .....	4E-12
		Oil Pressure Gauge .....	4E-13
		Clock .....	4E-13

# Wiring Diagrams

## MCM 3.0L Gasoline Engine Wiring Diagrams WITHOUT CIRCUIT BREAKER



**NOTE:** Gray lead for use with service tachometer.

**A - Ignition Components**

- 1 - Distributor
- 2 - Ignition Coil
- 3 - Shift Cutout Switch

**B - Starting Charging and Choke Components**

- 1 - Alternator
- 2 - Electric Choke
- 3 - Ground Stud
- 4 - Starter Motor
- 5 - Starter Slave Solenoid

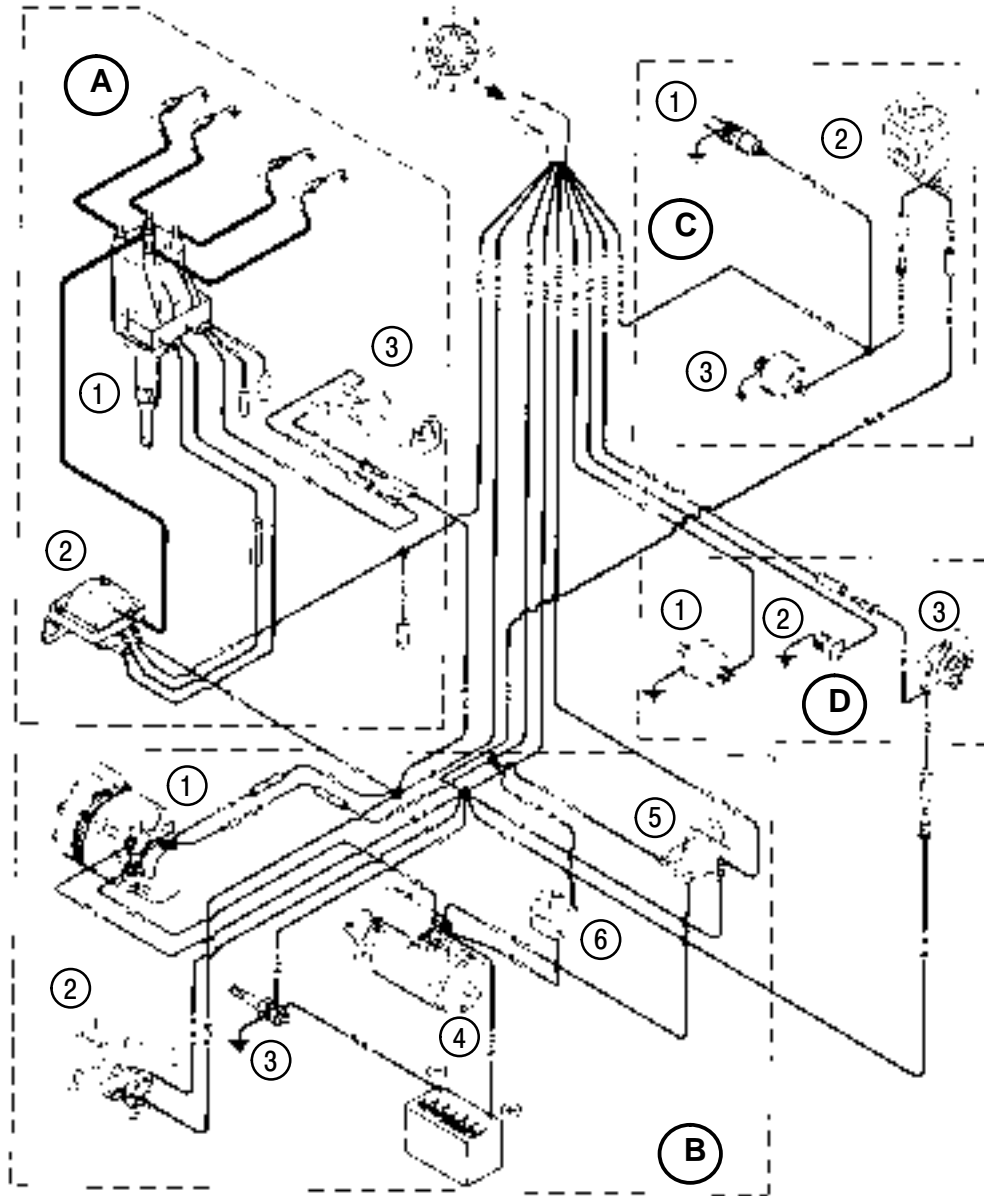
**C - Audio Warning Components**

- 1 - Water Temperature
- 2 - Drive Unit Gear Lube Monitor
- 3 - Oil Pressure Switch

**D - Instrumentation Components**

- 1 - Oil Pressure Sender
- 2 - Water Temperature Sender
- 3 - Trim Sender

WITH CIRCUIT BREAKER



74101



**NOTE:** Gray lead for use with service tachometer.

**A - Ignition Components**

- 1 - Distributor
- 2 - Ignition Coil
- 3 - Shift Cutout Switch

**B - Starting Charging and Choke Components**

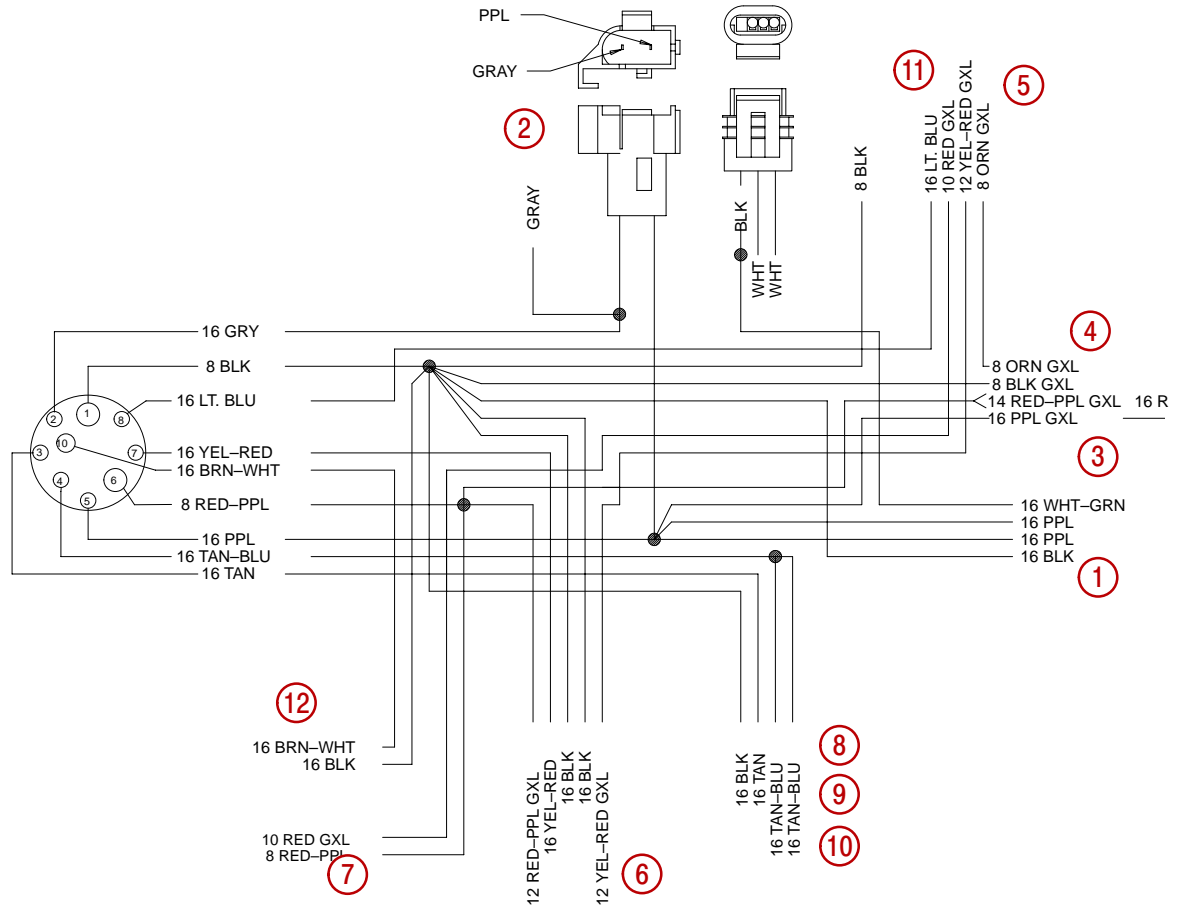
- 1 - Alternator
- 2 - Electric Choke
- 3 - Ground Stud
- 4 - Starter Motor
- 5 - Starter Slave Solenoid
- 6 - Circuit Breaker

**C - Audio Warning Components**

- 1 - Water Temperature
- 2 - Drive Unit Gear Lube Monitor
- 3 - Oil Pressure Switch

**D - Instrumentation Components**

- 1 - Oil Pressure Sender
- 2 - Water Temperature Sender
- 3 - Trim Sender



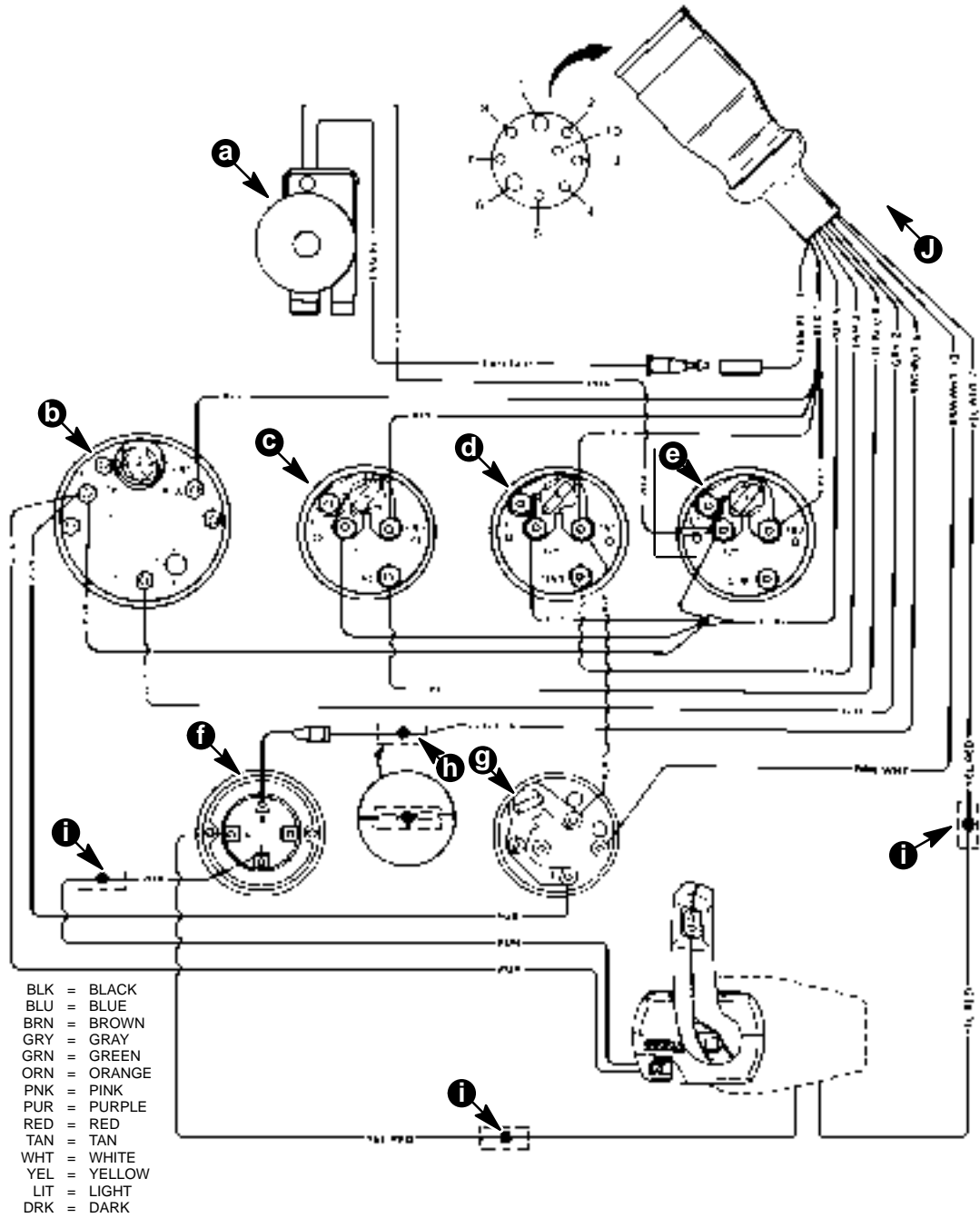
**NOTE:** Gray lead for use with service tachometer.

- 1** - Distributor
- 2** - Ignition Coil
- 3** - Shift Cutout Switch
- 4** - Alternator
- 5** - Starter Motor
- 6** - Starter Slave Solenoid
- 7** - Circuit Breaker
- 8** - Water Temperature
- 9** - Drive Unit Gear Lube Monitor
- 10** - Oil Pressure Switch
- 11** - Oil Pressure Sender
- 12** - Trim Sender

**THIS PAGE IS INTENTIONALLY BLANK**

# Quicksilver Instrumentation Wiring Diagram

## SINGLE STATION INSTALLATION - TYPICAL



Refer to gauge manufacturer's instructions for specific connections.

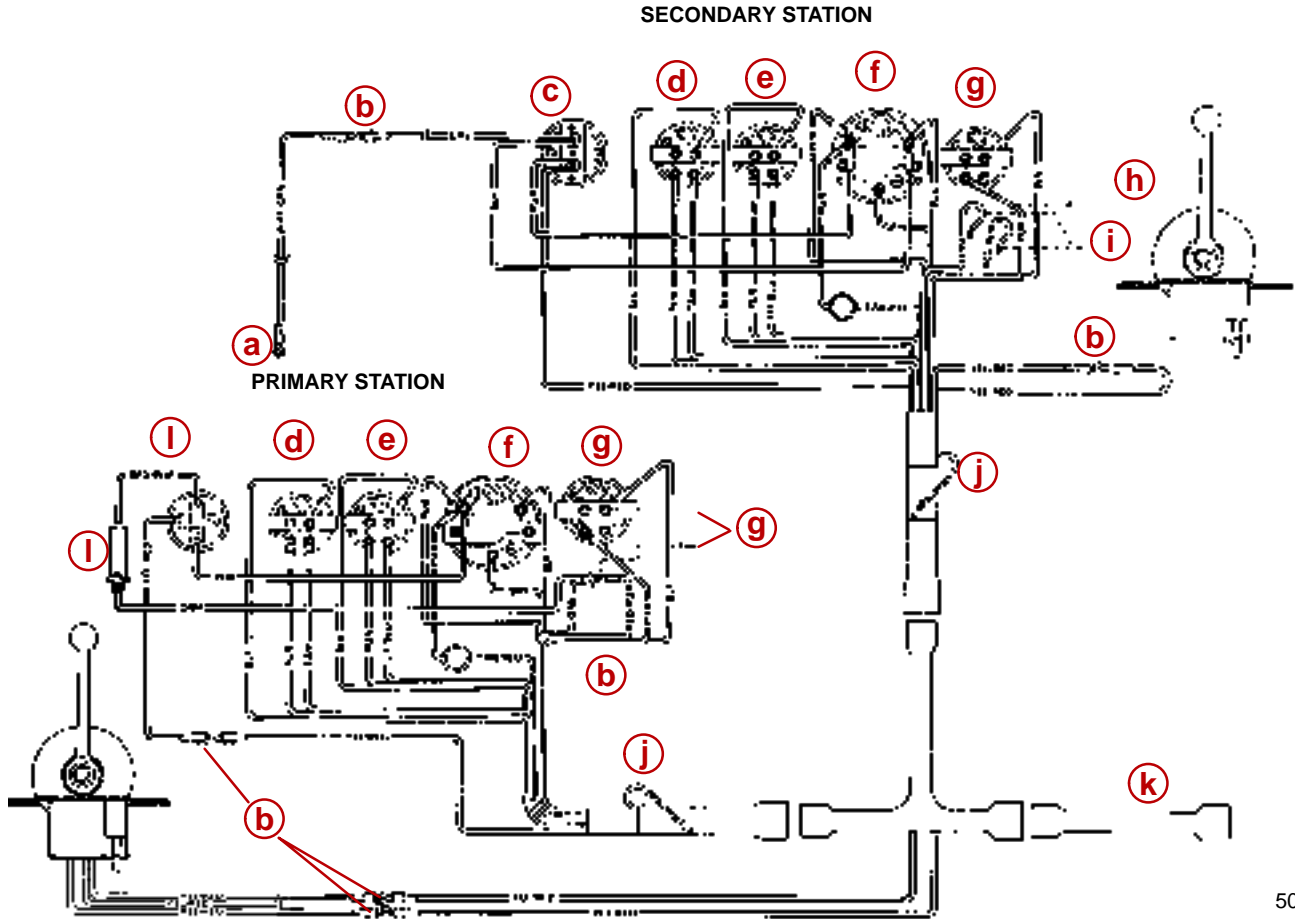
**NOTE:** <sup>1</sup> Connect Wires Together with Screw and Hex Nut; Apply Liquid Neoprene to Connection and Slide Rubber Sleeve over Connection.

**NOTE:** <sup>2</sup> Power for a Fused Accessory Panel May Be Taken from This Connection. Load Must Not Exceed 40 Amps. Panel Ground Wire Must Be Connected to Instrument Terminal That Has an 8-Gauge Black (Ground) Harness Wire Connected to it.

**NOTE:** <sup>3</sup> Lanyard stop switch lead and neutral safety switch leads must be soldered and covered with shrink tube for a water proof connection. If an alternate method of connection is made, verify connection is secure and sealed for a water proof connection.

- a** - Audio Warning Buzzer
- b** - Tachometer
- c** - Oil Pressure
- d** - Water Temperature
- e** - Battery Meter
- f** - Ignition Switch
- g** - Trim Indicator
- h** - Read/Observe NOTE 1 and 2.
- i** - Read/Observe NOTE 3.
- j** - To Engine Wiring Harness

DUAL STATION USING A NEUTRAL SAFETY SWITCH IN ONLY ONE REMOTE CONTROL



50730

- a - See Note 5
- b - See Note 4
- c - Start/Stop Panel
- d - Water Temperature
- e - Oil Pressure
- f - Tachometer
- g - Battery Meter
- h - See Note 2
- i - See Note 3
- j - See Note 1
- k - Extension Harness To Engine
- l - Fuse

**NOTE:** <sup>1</sup> BROWN/WHITE wire is taped back at instrument end. If installing on boat that is equipped with MerCruiser sterndrive, BROWN/WHITE wire is connected to the trim sender terminal block. Also can be used for an accessory (limit 5 amps).

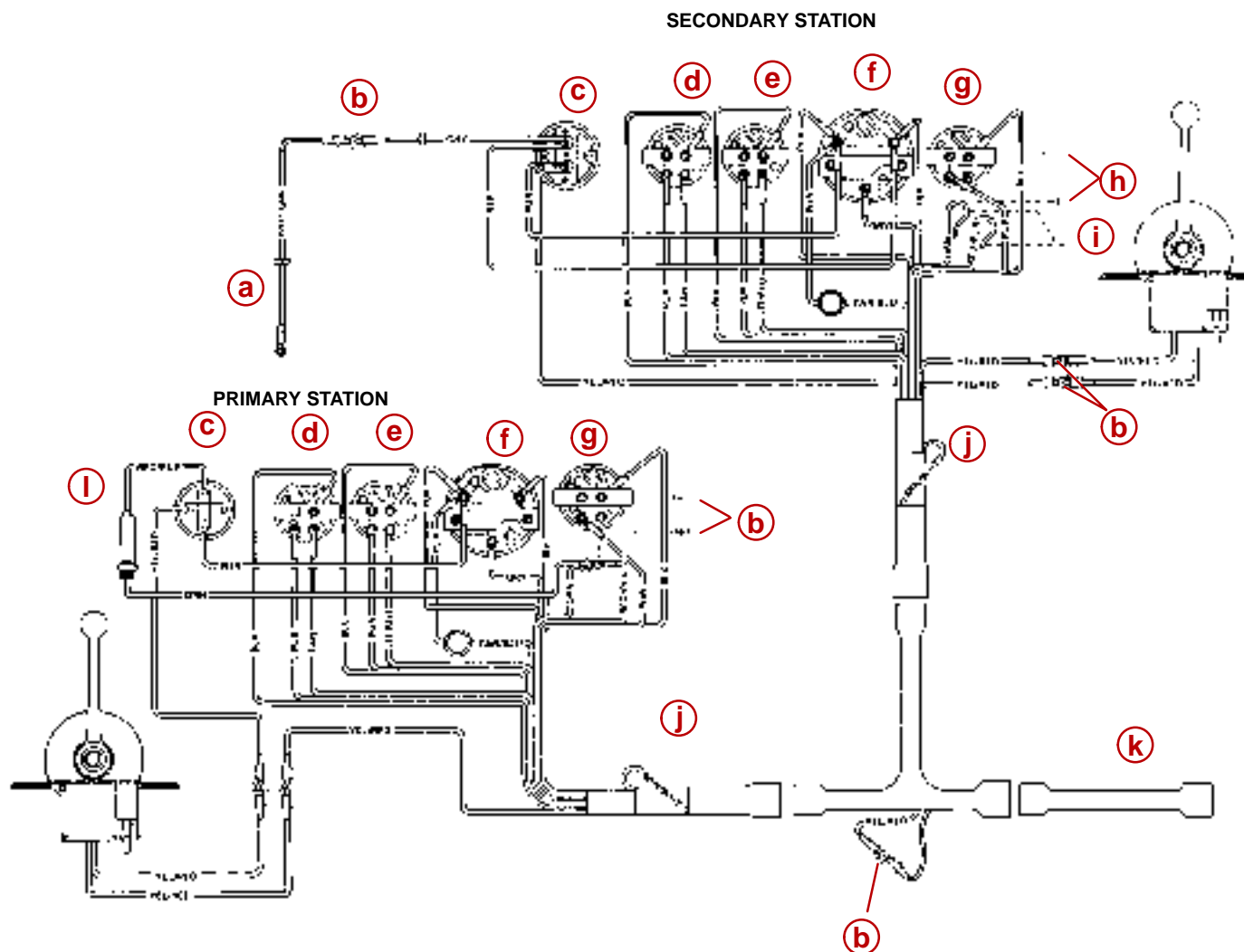
**NOTE:** <sup>2</sup> An accessory fuse panel may be connected at this location. The combined current draw of the primary station and secondary station MUST NOT exceed 5 amps.

**NOTE:** <sup>3</sup> Tape back and insulate with at least four layers of electrical tape.

**NOTE:** <sup>4</sup> Connect wires together with screw and hex nut. Tighten securely and coat with Liquid Neoprene to help control corrosion; when dry, slide neoprene sleeve over connection.

**NOTE:** <sup>5</sup> To WHT/GRN connection on terminal block at shift plate cutout switch.

## DUAL STATION USING A NEUTRAL SAFETY SWITCH IN BOTH REMOTE CONTROLS



- a** - See Note 5
- b** - See Note 4
- c** - Start/Stop Panel
- d** - Water Temperature
- e** - Oil Pressure
- f** - Tachometer
- g** - Battery Meter
- h** - See Note 2
- i** - See Note 3
- j** - See Note 1
- k** - Extension Harness To Engine

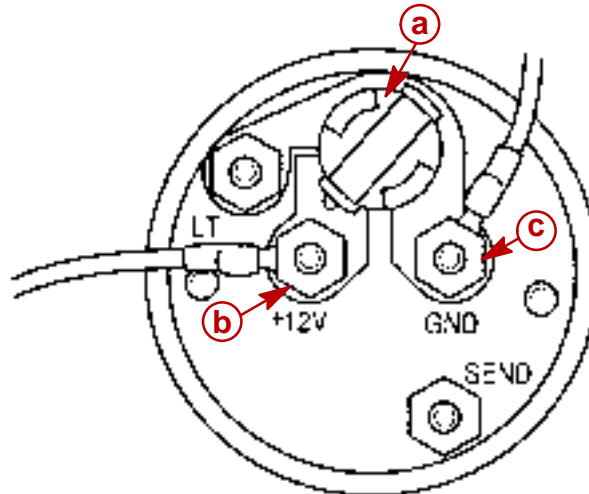
**NOTE:** <sup>1</sup> BROWN/WHITE wire is taped back at instrument end. If installing on boat that is equipped with MerCruiser sterndrive, BROWN/WHITE wire is connected to the trim sender terminal block. Also can be used for an accessory (limit 5 amps).

**NOTE:** <sup>2</sup> An accessory fuse panel may be connected at this location. The combined current draw of the primary station and secondary station **MUST NOT** exceed 5 amps.

**NOTE:** <sup>3</sup> Tape back and insulate with at least four layers of electrical tape.

**NOTE:** <sup>4</sup> Connect wires together with screw and hex nut. Tighten securely and coat with Liquid Neoprene to help control corrosion; when dry, slide neoprene sleeve over connection.

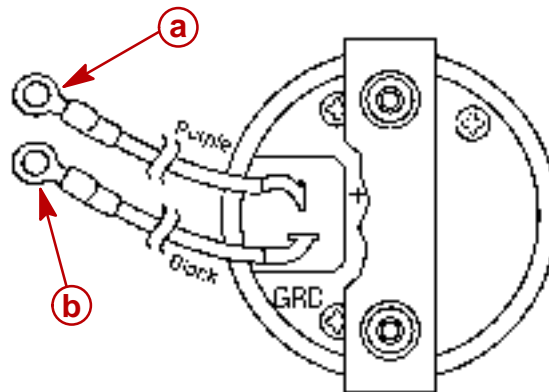
# Battery Meter Gauge



72814

- a** - Lamp Mounting Hole
- b** - PURPLE (or WHITE) Jumper Wire From This Terminal To "I" (Or +) Terminal On Water Temperature Or Oil Pressure Gauge
- c** - BLACK Jumper Wire From This Terminal To Ground (-) Terminal On Water Temperature Or Oil Pressure Gauge

# Cruiselog

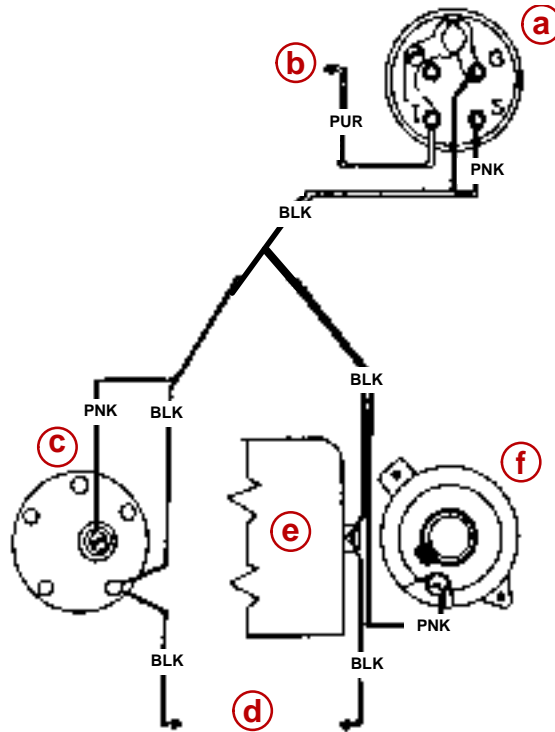


72815

- a** - Connect to Ignition Switch Activated 12 Volt Positive (+) Source (PURPLE Wire)
- b** - Connect to Negative (-) Ground (BLACK Wire)



# Fuel Gauge and Sender



72816

## Either Gauge Uses Either Sender

- a** - Fuel Gauge (Black Case)
- b** - See Note 1
- c** - Tank Sender
- d** - See Note 2
- e** - Fuel Tank
- f** - Sender Capsule

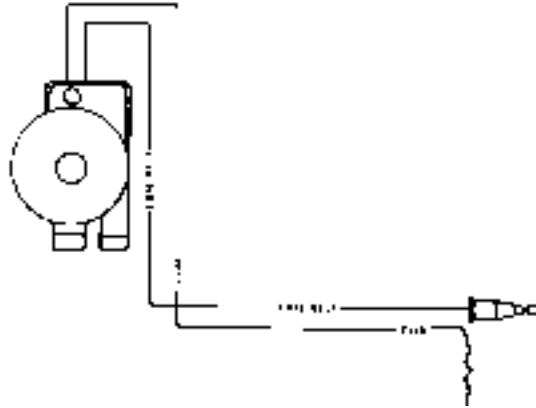
**NOTE: 1** Connect to "I" (Ignition) Terminal Or Accessory Terminal Of Ignition Switch

**NOTE: 2** Connect to NEGATIVE (-) Battery Terminal Or Suitable Ground (-).

# Audio Warning System

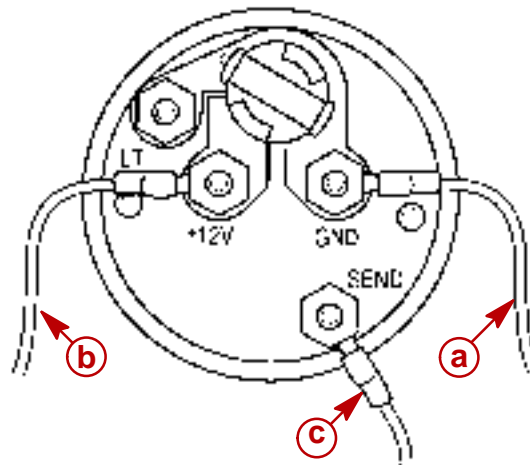
## ⚠ WARNING

Buzzer is not external ignition-proof; therefore, DO NOT mount buzzer in engine or fuel tank compartments.



74046

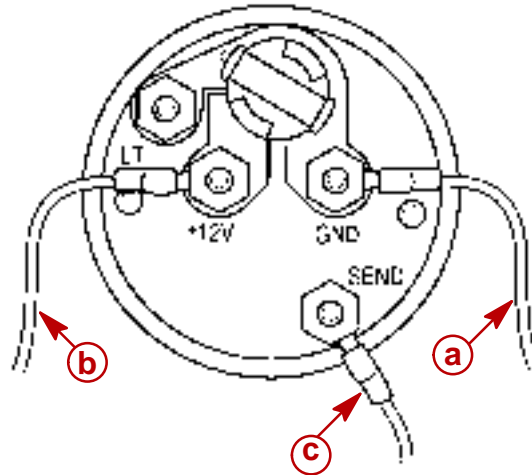
# Water Temperature Gauge



72819

- a** - BLACK (a) Ground (-)
- b** - PURPLE Switched 12 (+)\_Volt Terminal
- c** - TAN Sender Lead

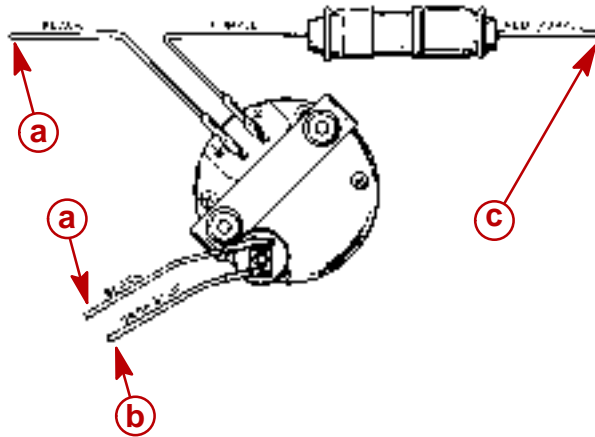
# Oil Pressure Gauge



72819

- a** - BLACK Ground (-)
- b** - PURPLE Switched 12 Volt (+) Terminal
- c** - LIGHT BLUE Sender Lead

# Clock



72818

- a** - Connect To A Terminal On An Adjacent Gauge Or To Another Suitable Ground (-)
- b** - Connect to Instrument Harness RED/PURPLE Lead And Slide A Rubber Sleeve Over Connection
- c** - Connect To An "I" Terminal Of An Adjacent Gauge Or To Any Switched 12 (+) Volt Terminal

**THIS PAGE IS INTENTIONALLY BLANK**

# FUEL SYSTEM

## Section 5A - Fuel Pump

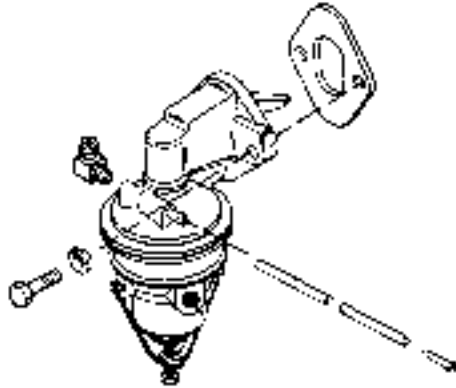
### Table of Contents

Identification .....	5A-2	Fuel System Components .....	5A-6
Replacement Parts Warning .....	5A-2	Water Separating Fuel Filter .....	5A-6
Torque Specifications .....	5A-3	Replacement .....	5A-7
Tools .....	5A-3	Water Separating Fuel Filter .....	5A-8
Lubricants/Sealants .....	5A-3	Replacement .....	5A-8
Specifications .....	5A-3	Testing Fuel Pump .....	5A-9
Precautions .....	5A-4	Fuel Pump Replacement .....	5A-10
Fuel Delivery System .....	5A-5	Removal .....	5A-10
Recommendations .....	5A-5		
Description .....	5A-5		

**NOTICE**

For information and procedures on "Troubleshooting," refer to SECTION 1C.

## Identification



Carter Fuel Pump

## Replacement Parts Warning

**⚠ WARNING**

Electrical, ignition and fuel system components on your MerCruiser are designed and manufactured to comply with U.S. Coast Guard Rules and Regulations to minimize risks of fire and explosion.

Use of replacement electrical, ignition or fuel system components, which do not comply with these rules and regulations, could result in a fire or explosion hazard and should be avoided.

**⚠ WARNING**

Avoid gasoline fire or explosion. Improper installation of brass fittings or plugs into fuel filter base can crack casting and/or cause a fuel leak.

- Apply #592 Loctite Pipe Sealant with Teflon to threads of brass fitting or plug. **DO NOT USE TEFLON TAPE.**
- Thread brass fitting or plug into fuel filter base until finger tight.
- Tighten fitting or plug an additional 1-3/4 to 2-1/4 turns using a wrench. **DO NOT OVERTIGHTEN.**
- Install fuel line. To prevent overtightening, hold brass fitting with suitable wrench and tighten fuel line connectors securely.
- Check for fuel leaks.

## Torque Specifications

Description	lb-ft	Nm
Fuel Inlet and Outlet Fittings	Tighten finger tight then 1-3/4 to 2-1/4 additional turns with wrench. (See Note)	
Fuel Line to Fuel Outlet Fitting	Securely	
Fuel Pump to Block	20	27

**NOTE:** Apply #592 Loctite Pipe Sealant with Teflon. Do not use Teflon Tape.

## Tools

Description	Part Number
Fuel Pressure Gauge	91-16850A2

## Lubricants/Sealants

Description	Part Number
Quicksilver Perfect Seal	92-34227--1
Quicksilver Needle Bearing Grease	92-825265A1
Loctite Pipe Sealant with TEFLON	Obtain Locally

## Specifications

Type of Fuel Pump	Carter
Pump Pressure (1800 rpm)	5-1/4 - 6-1/4 PSI (36-44 kPa)

## Precautions

### WARNING

Always disconnect battery cables from battery BEFORE working on fuel system to prevent fire or explosion.

### WARNING

Be careful when changing fuel system components; gasoline is extremely flammable and highly explosive under certain conditions. Be sure that ignition key is OFF. DO NOT smoke or allow sources of spark or flame in the area while changing fuel filters. Wipe up any spilled fuel immediately.

### WARNING

Make sure that no fuel leaks exist before closing engine hatch.

### CAUTION

DO NOT operate engine without cooling water being supplied to seawater pickup pump, or pump impeller will be damaged and subsequent overheating damage may result.

### WARNING

Avoid gasoline fire or explosion. Improper installation of brass fittings or plugs into fuel filter base can crack casting and/or cause a fuel leak.

- Apply #592 Loctite Pipe Sealant with Teflon to threads of brass fitting or plug. DO NOT USE TEFLON TAPE.
- Thread brass fitting or plug into fuel filter base until finger tight.
- Tighten fitting or plug an additional 1-3/4 to 2-1/4 turns using a wrench. DO NOT OVERTIGHTEN.
- Install fuel line. To prevent overtightening, hold brass fitting with suitable wrench and tighten fuel line connectors securely.
- Check for fuel leaks.



# Fuel Delivery System

## Recommendations

### **WARNING**

**Boating industry standards (BIA, ABYC, etc.) federal standards and Coast Guard regulations MUST BE adhered to when installing fuel delivery system.**

When designing and installing fuel delivery system, the following information MUST BE observed:

1. Fuel tank should be mounted below carburetor level, if possible. If tank is mounted above carburetor level, gravity feed may cause carburetor fuel inlet needle to unseat, and flooding may result.
2. Fuel pickup should be at least 1 in. (25 mm) from the bottom of the fuel tank to prevent picking up water or other impurities.
3. Fuel lines used MUST BE Coast Guard approved (USCG type A) and MUST NOT BE SMALLER THAN 3/8 in. (9.5 mm) I.D. On installations where long lines or numerous fittings are required, larger size lines should be used.
4. Fuel line should be installed free of stress and firmly secured to prevent vibration and/or chafing.
5. Sharp bends in fuel line should be avoided.
6. A flexible fuel line must be used to connect fuel line to engine to absorb deflection when engine is running.

## Description

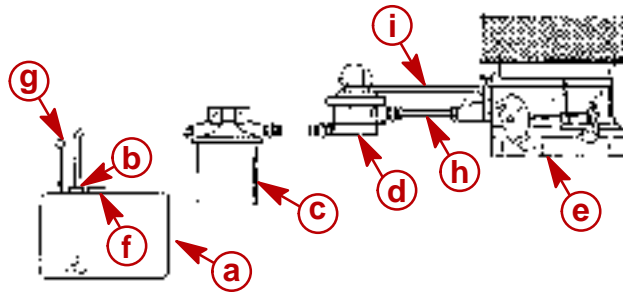
The fuel system consists of fuel tank(s), a water separating fuel filter, an electric fuel pump and a carburetor.

The fuel is stored in the fuel tank. When the fuel pump is energized by turning on ignition switch, fuel is drawn from the fuel tank, through the water separating filter, by the electric fuel pump.

The fuel is pushed through the fuel line to the carburetor where it is metered and supplied to the engine.

# Fuel System Components

## FUEL SYSTEM



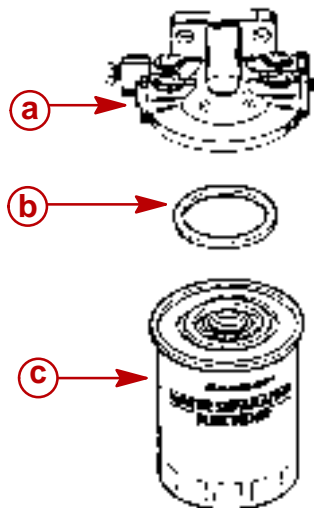
50830

### Typical

- a** - Fuel Tank
- b** - Anti Siphon Valve
- c** - Water Separating Fuel Filter, if equipped
- d** - Fuel Pump
- e** - Carburetor
- f** - Fuel Filter
- g** - Vent Hose
- h** - Fuel Line
- i** - Sight Tube

## Water Separating Fuel Filter

The fuel filter, if equipped, consists of the fuel filter base and filter element.



72678

- a** - Filter Mounting Bracket
- b** - Filter Element
- c** - Sealing Ring

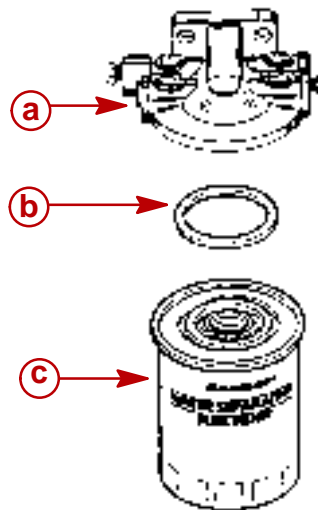
Filter should be replaced when fuel flow is restricted or filter flow is questionable. DO NOT attempt to flush out filter.

## Replacement

### NOTICE

Refer to "Precautions," in this section, BEFORE proceeding.

1. Disconnect battery cables from battery.
2. Remove fuel filter from base. A filter wrench may be needed to loosen element.
3. Lubricate sealing ring(s) of new filter with SAE engine oil.
4. Install new filter, tightening securely by hand.
5. Reconnect battery cables. Make sure water is supplied to cooling system and start engine. Check for fuel leaks.



- a** - Filter Base/Mounting Bracket
- b** - Filter Element
- c** - Sealing Ring

72678

# Water Separating Fuel Filter

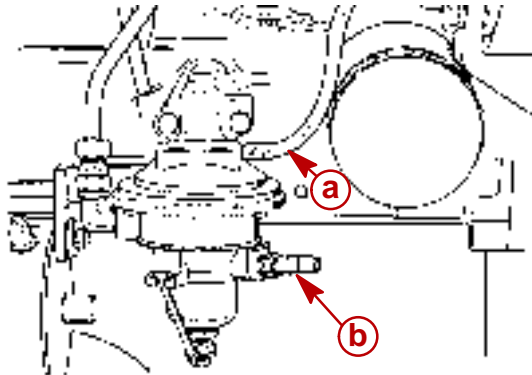
## NOTICE

Refer to "Precautions," in this section, **BEFORE** proceeding.

## Replacement

### INSPECTION

Fuel pumps are equipped with a sight tube. Any evidence of fuel in the sight tube indicates a ruptured diaphragm and fuel pump must be replaced immediately.



50738

- a** - Sight Tube
- b** - Fuel Fitting

**NOTE:** This fuel pump must be replaced as an assembly; it is **not** repairable with a diaphragm kit.

1. Disconnect battery cables from battery.

## ⚠ CAUTION

**Plug fuel supply hose after removal to prevent fuel from leaking into boat.**

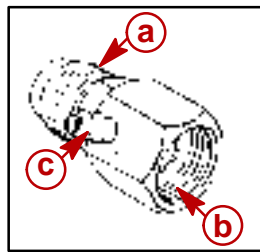
2. Remove safety wire.
3. Loosen screw from filter bowl bail and release bail from fuel pump housing.
4. Remove bowl, filter element, spring, and gasket from fuel pump.
5. Install new filter.
6. Tighten retaining screw securely.
7. Install safety wire and tighten securely.
8. Start and run engine.
9. Check for gasoline leaks.
10. If leaks exist, STOP ENGINE and recheck connections.

# Testing Fuel Pump

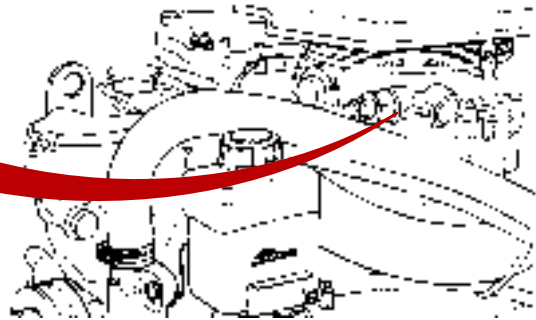
**NOTICE**

Refer to "Precautions," in this section, **BEFORE** proceeding.

1. Disconnect battery cables from battery.
2. Remove fuel line from carburetor or outlet side of fuel pump.
3. Install Fuel Pressure Connector (91-18078) to carburetor or fuel pump and reinstall fuel line. Tighten connector and fuel line securely.
4. Connect fuel pressure test gauge to connector.



71561



75310

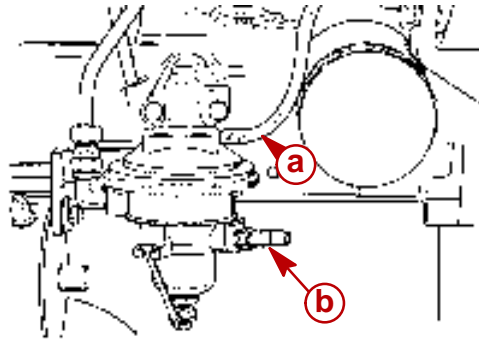
- a** - Fits into Carburetor
- b** - Fuel Line Connection
- c** - Fuel Gauge Barb

5. Reconnect battery cables, start engine, and run at idle, making sure water is supplied to the cooling system.
6. Fuel pressure should be within specifications. If not, replace fuel pump.
7. Remove fuel pressure gauge and connector tool. Reconnect fuel line to fuel pump.

# Fuel Pump Replacement

## Removal

1. Remove fuel inlet and outlet lines at fuel pump.
2. Remove sight tube.



50738

- a** - Sight Tube  
**b** - Fuel Fitting

3. Remove 2 fuel pump mounting bolts and lock-washers, pump and gasket.

### ⚠ CAUTION

**Plug fuel lines after disconnecting from fuel pump to eliminate any chance of fuel siphoning into bilge.**

4. Coat both sides of new gasket with Perfect Seal.
5. Install new gasket on fuel pump.
6. Install pump.
7. Coat mounting bolts with Perfect Seal.
8. Torque mounting bolts to specifications.

### ⚠ WARNING

**Avoid gasoline fire or explosion. Improper installation of brass fittings or plugs into fuel filter base can crack casting and/or cause a fuel leak.**

- **Apply #592 Loctite Pipe Sealant with Teflon to threads of brass fitting or plug. DO NOT USE TEFLON TAPE.**
- **Thread brass fitting or plug into fuel filter base until finger tight.**
- **Tighten fitting or plug an additional 1-3/4 to 2-1/4 turns using a wrench. DO NOT OVERTIGHTEN.**
- **Install fuel line. To prevent overtightening, hold brass fitting with suitable wrench and tighten fuel line connectors securely.**
- **Check for fuel leaks.**

9. Install fuel outlet fitting (from old pump) into fuel pump.
10. Install fuel line to fuel outlet fitting. Tighten securely.
11. Install fuel inlet fitting to fuel pump.
12. Install sight tube and fuel supply line.
13. Start engine and check for fuel leaks.

**THIS PAGE IS INTENTIONALLY BLANK**

**THIS PAGE IS INTENTIONALLY BLANK**



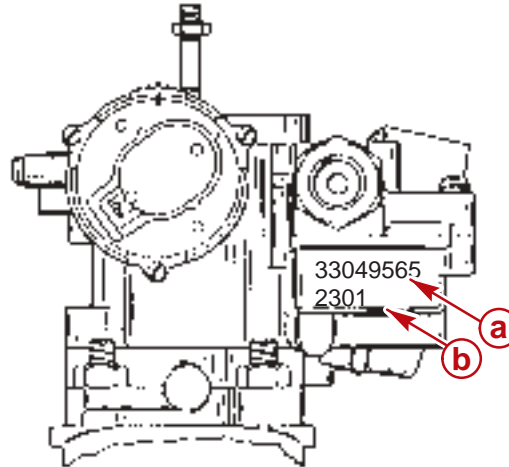
# FUEL SYSTEM

## Section 5B - MERCARB<sup>®</sup> 2 BARREL CARBURETOR

### Table of Contents

Identification .....	5B-2	Maintenance .....	5B-8
Replacement Parts Warning .....	5B-3	Flame Arrestor with Carburetor Cover ..	5B-8
Torque Specifications .....	5B-3	Fuel Inlet Filter .....	5B-9
Tools .....	5B-3	Choke Inspection .....	5B-10
Special Tools .....	5B-3	Adjustments .....	5B-10
Specifications .....	5B-4	Pump Rod .....	5B-10
Carburetor Adjustment Specifications ..	5B-4	Choke Setting .....	5B-12
High Altitude Re-Jetting .....	5B-5	Preliminary Idle Speed and Mixture ..	5B-12
Important Service Information .....	5B-5	Final Idle Speed and Mixture .....	5B-13
Flooding at Idle RPM .....	5B-5	Repair .....	5B-15
Needle/Seat Change .....	5B-6	Removal .....	5B-15
Adjustable Accelerator Pump Lever ...	5B-6	Installation .....	5B-15
Description .....	5B-7	Exploded View Parts List .....	5B-17
Precautions .....	5B-7	Disassembly .....	5B-18
Fuel Supply Connections .....	5B-7	Cleaning and Inspection .....	5B-25
		Reassembly .....	5B-26

# Identification



72680

## Carburetor Part Number Location

- a** - Part Number
- b** - Date Code

Data Code Explanation: Example 2301

First Figure is Year:

2 = 1992, 3 = 1993, etc.

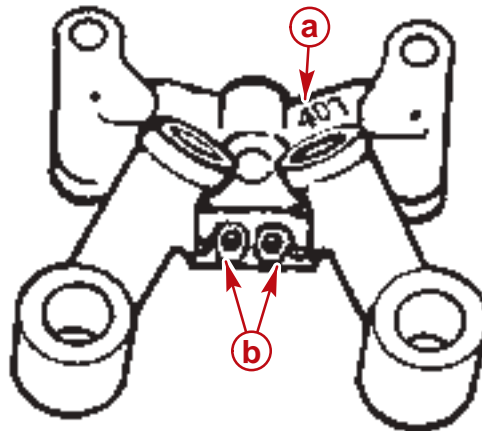
Second Figure is Month:

2 = February, 3 = March, etc.

X = October, Y = November, Z = December

Third and Fourth Figures are Day of Month:

01 = First day, 02 = Second day, etc.



72779

## Venturi Cluster Identification

- a** - Identification Number (See Specifications)
- b** - Accelerator Pump Discharge Holes

## Replacement Parts Warning

### WARNING

Electrical, ignition and fuel system components on your MerCruiser are designed and manufactured to comply with U.S. Coast Guard Rules and Regulations to minimize risks of fire and explosion.

Use of replacement electrical, ignition or fuel system components, which do not comply with these rules and regulations, could result in a fire or explosion hazard and should be avoided.

## Torque Specifications

Description	lb-in.	lb-ft	Nm
Carburetor To Manifold		12	16
Fuel Line to Carburetor		18	24
Fuel Inlet Filter Nut		18	24

## Tools

Description	Part Number
Tachometer	79-17391A1
Universal Carburetor Gauge	91-36392

## Special Tools

Boroughs Special Tools	
Description	Part Number
Boroughs Special Tool and Equipment Inc. 2429 N. Burdick Street Kalamazoo, MI 49007 (616) 345-5163	
Float Gram Scale	BT 8128 B

# Specifications

<b>NOTICE</b>
<b>Unit Of Measurement: U.S. Quarts (Liters)</b> <b>All capacities are approximate fluid measures.</b>

## Carburetor Adjustment Specifications

Engine Model	3.0L	
Carburetor Type	MerCarb 43 mm	MerCarb 36 mm
Carburetor Number	3310-807504	1389-807505
Float Level	3/8 (10)	
Spring Loaded Needle	9/16 (14) (See Note)	
Float Drop	1-3/32 (27) (See Note)	
Pump Rod	1-5/32 (29)	
Choke Setting	Two Marks To The Lean Side	
Choke Unloader	5/64 [080] (2)	
Idle Mixture Screws	1-1/4 Turns	Factory Setting
Float Weight	9 Grams Maximum	
Primary Jet Size	1.55 mm	1.45 mm
Power Valve Size	4 x 0.65 mm	2 x 0.60 mm
Venturi Cluster I.D. Number	171	470
Accelerator Pump Discharge Hole Size	.025 (0.635)	.035 (0.89)

All measurements are  $\pm 1/64$  in. (0.4 mm).

NOTE: Float drop measured from air horn (with gasket in place) to toe of float.

## High Altitude Re-Jetting

Engine flooding problems, at idle rpm, are generally related to the altitude (above sea level) at which they are operated. If engine is running too rich at higher elevation, order a smaller jet from the chart. A jet stamped "165" is a 1.65 mm jet.

Model	Carburetor Part Number	5000 ft (1525 m) and Below	5000-9000 ft (1525-2745 m)	9000 ft (2745 m) and Above
3.0L	3310-807504	1.55 mm	1.55 mm	1.45 mm

## JET SIZES

Jet Size	Quicksilver Part Number
1.30	3302-811849
1.35	3302-811850
1.40	3302-811851
1.45	3302-9050
1.50	3302-811852
1.55	3302-811853
1.60	3302810923
1.65	3302-9058
1.70	3302-9055
1.75	3302-881854
1.80	3302-811855
1.85	3302-811856
1.90	3302-811857

## Important Service Information

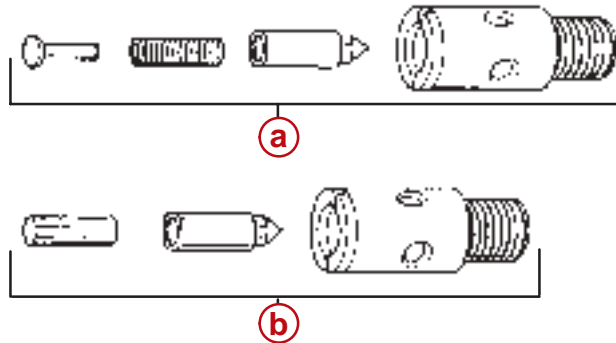
### Flooding at Idle RPM

If your engine floods at idle rpm, check the following:

1. Problem in ignition system causing engine to run rough.
2. Idle mixture screw adjusted incorrectly.
3. Bad needle and seat.
4. Incorrect float level drop.

## Needle/Seat Change

If the preceding steps failed to correct the problem, change the needle/seat to the other type. MerCarbs are equipped with either the solid or the spring loaded needle.



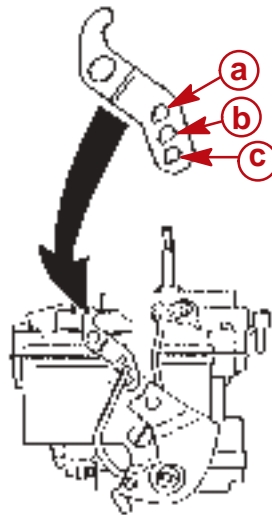
72290

### Needle and Seat Assemblies

- a** - Spring Loaded Type Needle (Kit 3302-9029)
- b** - Solid Type Needle (Kit 3302-9407)

## Adjustable Accelerator Pump Lever

This new 3-holed lever will allow you to change the amount of fuel delivered to the engine by the accelerator pump. The hole closest to the lever's shaft will give the same amount of fuel as the single hole lever did. The center hole gives approximately 0.5 cc less fuel and the hole farthest away will give about 1.0 cc less fuel.



73131

- a** - Full Accelerator Pump Stroke
- b** - 0.5 cc Less Fuel per Stroke
- c** - 1.0 cc Less Fuel per Stroke

The technician should be able to correct most "bogging" problems with this 3-holed lever, providing the "bogging" is caused by the carburetor. When installing the 3-holed lever, remove any metal ball that someone may have put in the accelerator pump well to limit pump travel. Also, make sure that the duration spring on the accelerator pump is stock and hasn't had several coils cut off. Make sure the venturi cluster is the correct one as outlined previously under "Specifications."

## Description

This MerCarb carburetor is a two bore carburetor and has a separate fuel feed for each venturi. This model also is equipped with an electric choke. A removable venturi cluster (secured to float bowl assembly) has the calibrated main well tubes and pump jets built into it. The venturi cluster is serviced as a unit. The serviceable main metering jets are bleeds to properly meter the correct fuel/air mixture to the engine.

## Precautions

### WARNING

Always disconnect battery cables from battery BEFORE working on fuel system to prevent fire or explosion.

### WARNING

Be careful when cleaning flame arrestor and crankcase ventilation hose; gasoline is extremely flammable and highly explosive under certain conditions. Be sure that ignition key is OFF. DO NOT smoke or allow sources of spark or open flame in area when cleaning flame arrestor and crankcase ventilation hose.

### WARNING

Be careful when changing fuel system components; gasoline is extremely flammable and highly explosive under certain conditions. Be sure that ignition key is OFF. DO NOT smoke or allow sources of spark or flame in the area while changing fuel filter. Wipe up any spilled fuel immediately.

### WARNING

Make sure no fuel leaks exist, before closing engine hatch.

## Fuel Supply Connections

### CAUTION

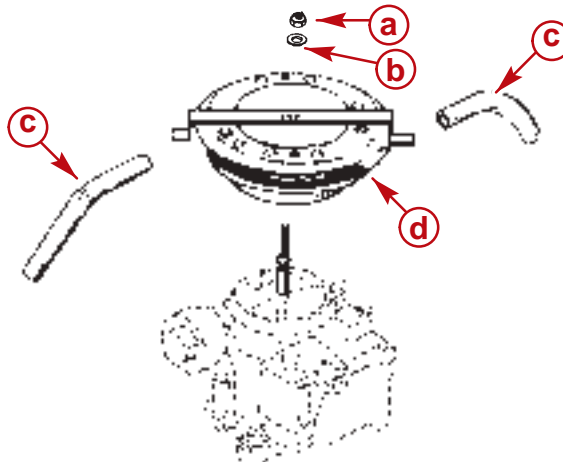
DO NOT operate engine without cooling water being supplied to water pickup holes in gear housing, or water pump impeller will be damaged and subsequent overheating damage to engine may result.

# Maintenance

## Flame Arrestor with Carburetor Cover

<b>NOTICE</b>
<b>Refer to "Precautions" in this section, BEFORE proceeding.</b>

1. Remove in the following order:
  - a. Nut.
  - b. Sealing washer.
  - c. Crankcase ventilation hoses from flame arrestor and rocker arm covers.
  - d. Flame arrestor.
2. Clean and inspect:
  - a. Clean flame arrestor in solvent and blow dry with compressed air.
  - b. Clean crankcase ventilation hoses.
  - c. Inspect crankcase ventilation hoses for cracks or deterioration, and replace if necessary.
3. Install in the following order:
  - a. Flame arrestor.
  - b. Crankcase ventilation hoses to flame arrestor and rocker arm covers.
  - c. Sealing washer.
  - d. Nut (tighten securely).



72086

- a** - Nut
- b** - Sealing Washer
- c** - Crankcase Ventilation Hose
- d** - Flame Arrestor

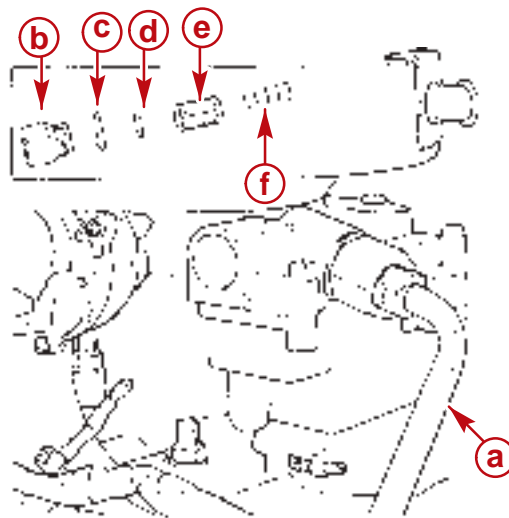


## Fuel Inlet Filter

### NOTICE

Refer to "Precautions" in this section, BEFORE proceeding.

1. Remove in the following order:
  - a. Fuel line from fuel inlet filter nut.
  - b. Fuel inlet filter nut and small gasket.
  - c. Large gasket.
  - d. Filter.
  - e. Spring.
  - f. Small gasket - from inside filter nut.



- a** - Fuel Line
- b** - Fuel Inlet Filter Nut
- c** - Gasket (Large)
- d** - Gasket (Small)
- e** - Filter
- f** - Spring

2. Clean filter nut and spring in solvent and dry with compressed air.
3. Install in the following order:
  - a. Spring - place in carburetor body.
  - b. Filter - open end to inlet filter nut.
  - c. Small gasket - place inside filter nut.
  - d. Large gasket - place over filter nut threads.
  - e. Fuel inlet filter nut - torque nut to 18 lb-ft (24 Nm).
  - f. Fuel line - torque to 18 lb-ft (24 Nm).

72406

## Choke Inspection

The choke does not require any periodic maintenance; however, if a choke malfunction is suspected, the following should be done:

1. With engine turned OFF, remove flame arrestor.
2. Open and close choke several times, and check for binding, loose or disconnected linkages, or other signs of damage.
3. If choke or linkage binds, sticks, or works sluggishly, clean with carburetor choke cleaner. Follow directions on can.

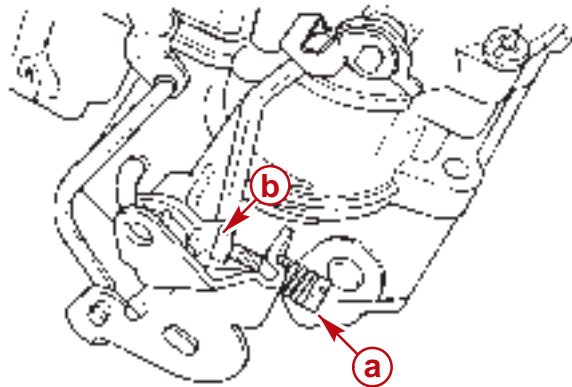
**IMPORTANT: Choke valve and shaft and lever assembly is not serviceable. If valve and/or shaft and lever assembly is worn or damaged, air horn assembly must be replaced.**

## Adjustments

<b>NOTICE</b>
Refer to "Precautions" in this section, <b>BEFORE</b> proceeding.

## Pump Rod

1. Loosen idle speed screw until it no longer contacts idle cam.

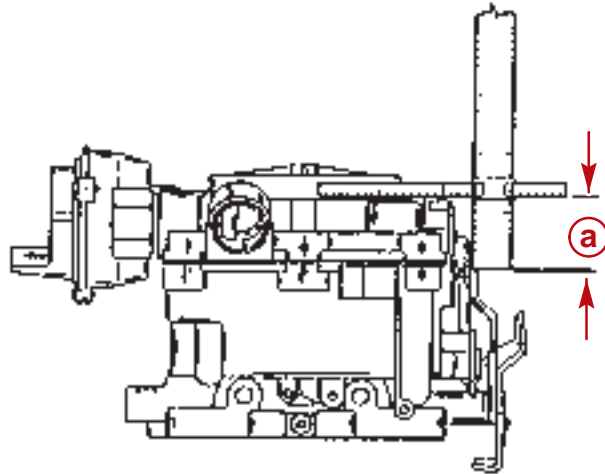


72284

**a** - Idle Speed Screw

**b** - Idle Cam

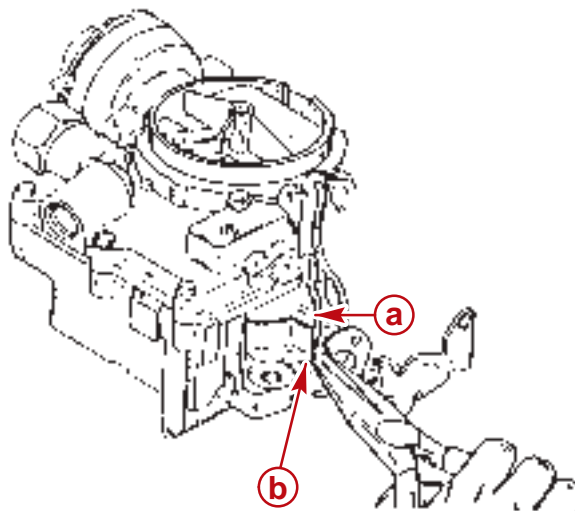
2. With throttle valves completely closed, measure from flame arrestor mounting surface to top of pump rod.



72682

**a** - See Specifications

3. Carefully bend pump rod (where shown) to obtain specified dimension.

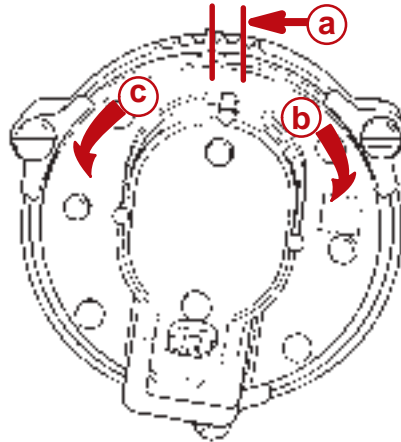


72683

**a** - Pump Rod  
**b** - Bend Here

## Choke Setting

Normal choke setting is such that scribed mark on cover is in line with long case mark on choke housing.



72403

- a** - Scribed Mark
- b** - More Choke
- c** - Less Choke

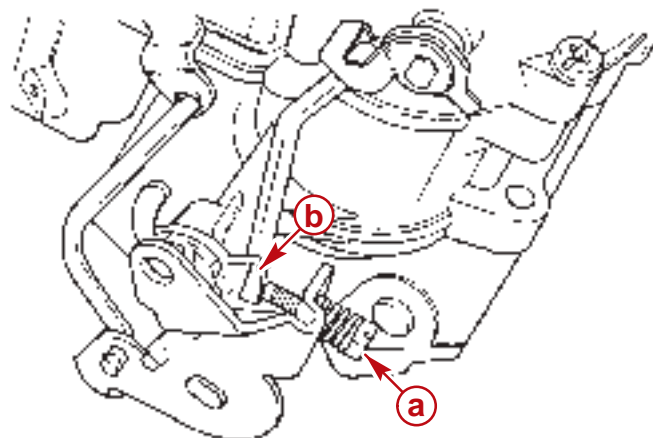
If choke adjustment is necessary:

1. Loosen three choke cover retaining screws and adjust as shown.
2. Tighten three choke cover retaining screws securely.

## Preliminary Idle Speed and Mixture

**IMPORTANT: The following adjustments will provide a sufficient idle speed and mixture for starting engine. Final adjustments must be made with engine running.**

1. Back out idle speed screw until it no longer contacts idle cam. Turn idle speed screw in until it just contacts idle cam, then turn screw in an additional two turns.

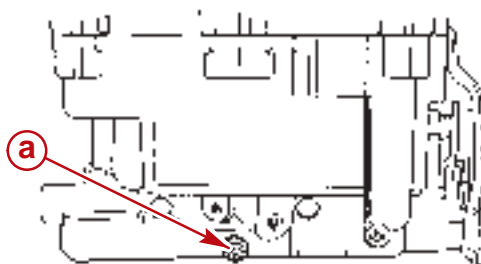


72284

- a** - Idle Speed Screw
- b** - Idle Cam

**IMPORTANT: DO NOT** turn idle mixture needle tightly against seat (in the following step), as damage to seat and/or needle may result.

- Turn idle mixture needle in until lightly seated, then back needle out 1-1/4 turns.



72281

**a** - Idle Mixture Needle

## Final Idle Speed and Mixture

### EMISSIONS CARBURETOR

#### Sealed Carburetor Mixture Screw

The carburetor on this engine has a seal on the carburetor mixture screw. This seal prevents adjustment of the fuel mixture setting.

#### **CAUTION**

Do not remove mixture screw seal and/or attempt to adjust fuel mixture setting. Tampering with the mixture setting on this engine could affect the exhaust emissions level, thus voiding the emissions certification. This seal should only be removed by an authorized dealer or emissions testing agency.

### NON-EMISSIONS CARBURETOR

**IMPORTANT:** Boat must be in the water and engine at normal operating temperature to accurately check and adjust idle speed and mixture.

Carburetor should be set so that engine idles smoothly within range given under "Specifications," with boat in the water, engine at normal operating temperature and drive unit in forward gear. To adjust idle speed and mixture, proceed as follows:

**IMPORTANT:** DO NOT attempt to compensate for other engine problems (incorrect ignition timing, faulty ignition components, low compression, vacuum leaks, etc.) with carburetor adjustments. This will only cover the problem, which must be corrected if engine is to achieve maximum fuel economy and performance.

- Connect an accurate shop tachometer to engine.

**IMPORTANT:** DO NOT turn idle mixture needle tightly into seat, as damage to needle and/or seat may result.



72281

**a** - Idle Mixture Needle

2. If new or rebuilt carburetor has been installed, turn idle mixture needle in (clockwise) until it lightly contacts seat, then back out needle 1-1/4 turns. This will provide a sufficient setting to allow starting engine.
3. Start engine and run at 1500 rpm until engine reaches normal operating temperature.

**⚠ WARNING**

**DO NOT leave the helm unattended while performing idle speed and mixture adjustments, following. BE CAREFUL NOT TO ACCIDENTALLY ACCELERATE ENGINE WHILE PERFORMING ADJUSTMENTS.**

4. With boat in open water, place remote control in forward gear, idle position.
5. Disconnect throttle cable barrel from anchor stud. Be sure not to lose spacer on anchor stud.
6. Adjust idle speed adjustment screw to obtain 550-600 rpm, in neutral gear.
7. With engine running at specified rpm, adjust idle mixture needle as follows:
  - a. Turn idle mixture needle in (clockwise) until the engine speed begins to drop due to lean mixture.
  - b. Turn idle mixture screw out (counterclockwise) until the speed begins to drop due to rich mixture.
  - c. Turn screw in to a point between these two extremes to obtain maximum engine smoothness and rpm.
  - d. Readjust idle speed adjustment screw until engine idles at 650-700 rpm in forward gear.

**IMPORTANT: Refer to Section 2 “Removal and Installation” for throttle cable installation and adjustment.**

# Repair

<b>NOTICE</b>
<b>Refer to "Precautions" in this section, BEFORE proceeding.</b>

## Removal

**IMPORTANT:** Carburetor malfunctions are, in many cases, caused by the presence of dirt, water or other foreign matter in carburetor. To aid in diagnosis, carefully remove carburetor from engine without draining fuel from bowl. Contents of fuel bowl may then be inspected for contamination as carburetor is disassembled.

1. Remove ventilation hose from flame arrestor, then remove flame arrestor.

**IMPORTANT:** Place a clean cloth in bores of carburetor to prevent dirt and foreign material from falling into bores.

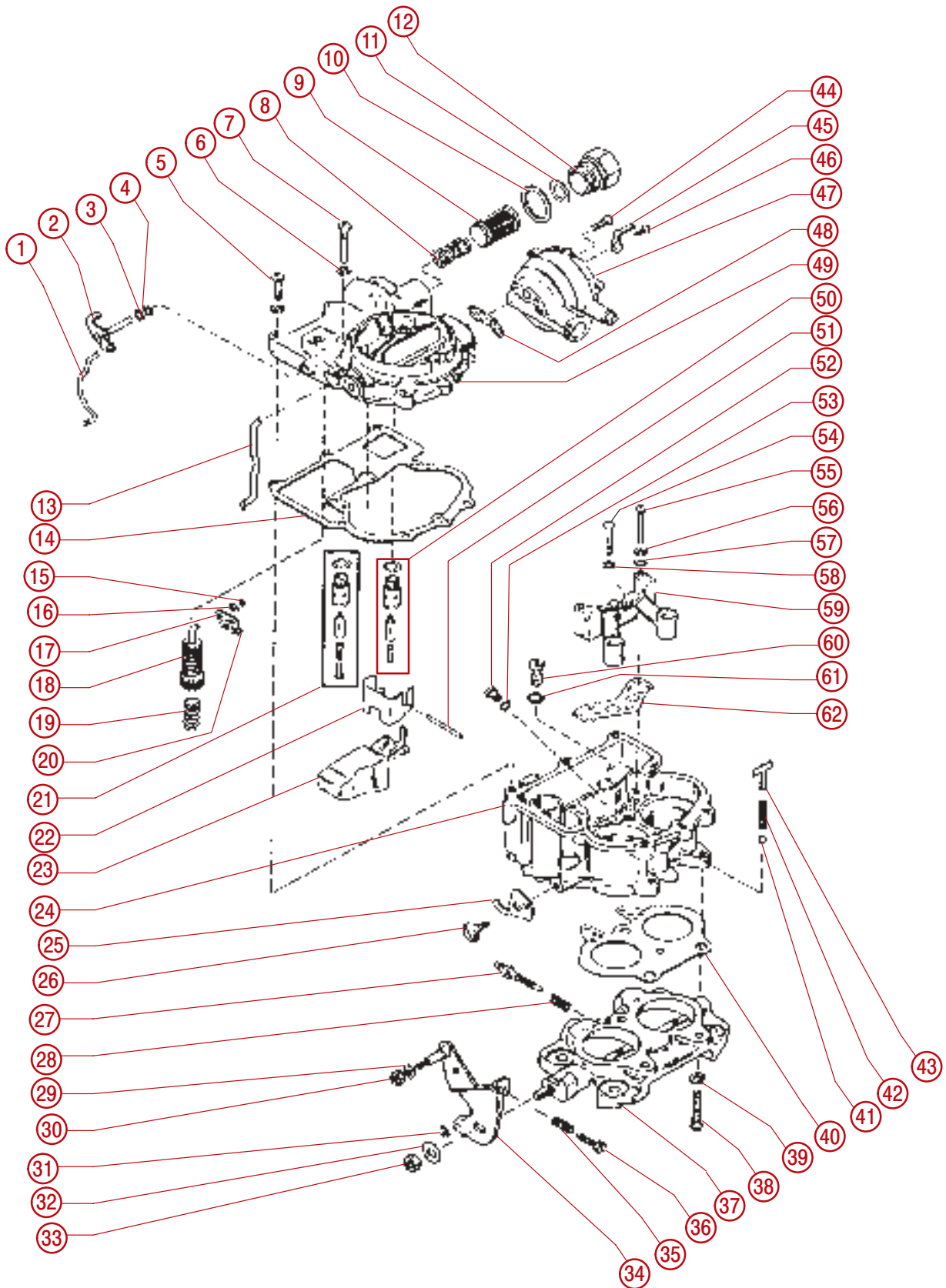
2. Turn fuel supply off at fuel tank.
3. Disconnect throttle cable from carburetor.
4. Remove fuel line from fuel inlet nut, using wrench to stabilize fuel inlet nut.
5. Remove fuel pump sight tube from carburetor.
6. Disconnect electric choke.
7. Remove carburetor attaching nuts and washers and remove carburetor.

**IMPORTANT:** Place a clean cloth over intake manifold opening to prevent dirt or foreign material from entering manifold.

8. Remove and discard gaskets.

## Installation

1. Thoroughly clean gasket surfaces.
2. Place new carburetor base gasket on intake manifold. Install carburetor and secure with nuts and washers. Torque to 132 lb-in. (15 Nm).
3. If fuel inlet filter nut was disturbed, remove; clean all threads with brush and carburetor cleaner or Quicksilver Leveler.
4. Connect fuel line to fuel inlet filter nut, and while stabilizing filter nut with wrench, tighten fuel line fitting securely.
5. Connect fuel pump sight tube to fitting on carburetor.
6. Connect electric choke wires to choke cover.
7. Install throttle cable as explained in SECTION 2.
8. Install flame arrestor and crankcase ventilation hose.
9. Reconnect battery cables to battery.
10. Ensure that water is supplied to cooling system. Start engine and check for gasoline leaks. If leaks exist, STOP ENGINE IMMEDIATELY and recheck connections.
11. Adjust idle speed and idle mixture, as outlined under "Adjustments" as previously outlined.



72686



## Exploded View Parts List

- |  |   |
|--|---|
| <b>1</b> - Rod - Accelerator Pump                            | <b>31</b> - Clip-Pump Rod                 |
| <b>2</b> - Accelerator Pump Shaft and Lever Assembly         | <b>32</b> - Washer-Locking                |
| <b>3</b> - Washer (Outer)                                    | <b>33</b> - Nut                           |
| <b>4</b> - Washer (Inner)                                    | <b>34</b> - Throttle Lever                |
| <b>5</b> - Screw   | <b>35</b> - Spring                        |
| <b>6</b> - Washer  | <b>36</b> - Screw - Idle Speed Adjustment |
| <b>7</b> - Screw   | <b>37</b> - Throttle Body                 |
| <b>8</b> - Spring  | <b>38</b> - Screw                         |
| <b>9</b> - Filter  | <b>39</b> - Washer                        |
| <b>10</b> - Gasket   | <b>40</b> - Gasket                        |
| <b>11</b> - Gasket   | <b>41</b> - Check Ball                    |
| <b>12</b> - Nut-Fuel Inlet                                   | <b>42</b> - Spring                        |
| <b>13</b> - Choke-Rod  | <b>43</b> - Retainer                      |
| <b>14</b> - Gasket   | <b>44</b> - Screw                         |
| <b>15</b> - Clip - Retainer                                  | <b>45</b> - Lever Assembly                |
| <b>16</b> - Washer   | <b>46</b> - Screw                         |
| <b>17</b> - Pump Shaft and Lever Assembly                    | <b>47</b> - Choke/Housing                 |
| <b>18</b> - Accelerator Pump Assembly                        | <b>48</b> - Gasket                        |
| <b>19</b> - Spring   | <b>49</b> - Air Horn                      |
| <b>20</b> - Screw  | <b>50</b> - Inlet Needle And Seat         |
| <b>21</b> - Inlet Needle and Seat (Spring Loaded - Optional) | <b>51</b> - Pin                           |
| <b>22</b> - Baffle Plate                                     | <b>52</b> - Screw                         |
| <b>23</b> - Float  | <b>53</b> - Gasket                        |
| <b>24</b> - Float Bowl                                       | <b>54</b> - Screw                         |
| <b>25</b> - Cam-Idle   | <b>55</b> - Screw                         |
| <b>26</b> - Screw  | <b>56</b> - Flat Washer                   |
| <b>27</b> - Idle Mixture Adjusting Needle                    | <b>57</b> - Lock Washer                   |
| <b>28</b> - Spring   | <b>58</b> - Gasket                        |
| <b>29</b> - Washer   | <b>59</b> - Venturi Cluster               |
| <b>30</b> - Nut  | <b>60</b> - Power Valve Assembly          |
|  | <b>61</b> - Gasket                        |
|  | <b>62</b> - Gasket                        |

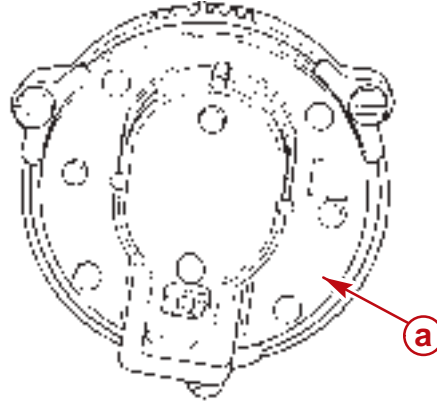
## Disassembly

The following is a step-by-step procedure for completely overhauling carburetor removed from engine. In many cases, however, complete overhaul is not necessary and, in these cases, only the steps required to repair the carburetor malfunction should be performed. Read the instructions carefully to prevent doing any unnecessary steps.

**IMPORTANT: Before performing any service on carburetor, it is essential that carburetor be placed in a holding fixture to prevent possible damage to throttle valves.**

### CHOKE HOUSING ASSEMBLY

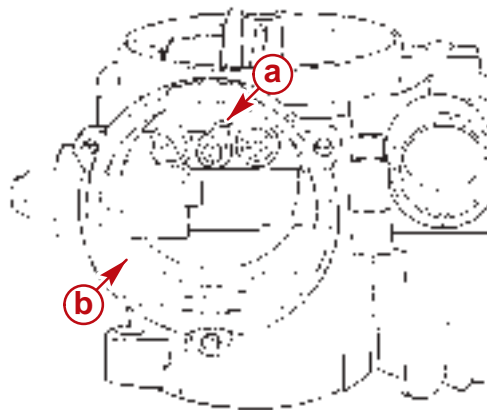
1. Remove choke cover.



72403

**a** - Choke Cover

2. Remove choke lever. Remove choke housing.



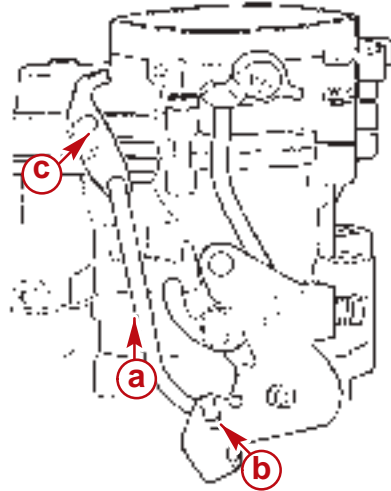
72401

**a** - Choke Lever

**b** - Choke Housing

## AIR HORN ASSEMBLY

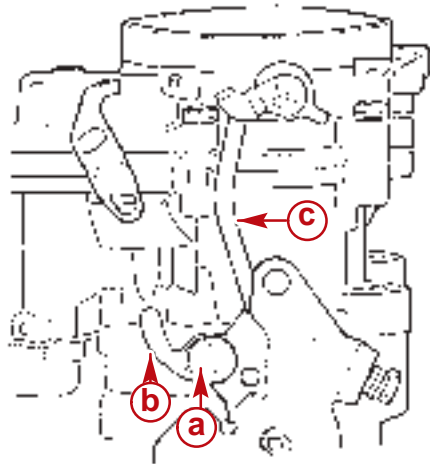
1. Remove fuel inlet filter nut, washers, spring, and filter, as outlined previously.
2. Remove accelerator pump rod retaining clip. Pivot rod (as required) until retaining ear on rod and slot in pump shaft and lever assembly, allowing rod to be pulled out.



72283

- a** - Accelerator Pump Rod
- b** - Retainer Clip
- c** - Pump Shaft and Lever Assembly

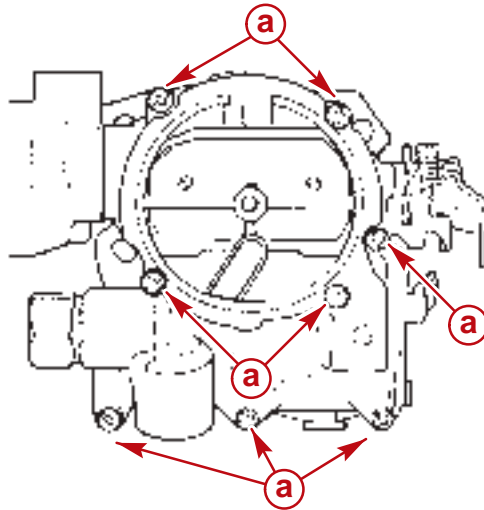
3. Remove idle cam screw. Also, remove choke rod by pivoting rod (as required) until retaining ear on rod and slot in choke lever align, allowing rod to be pulled out.



72282

- a** - Idle Cam Screw
- b** - Idle Cam
- c** - Choke Rod

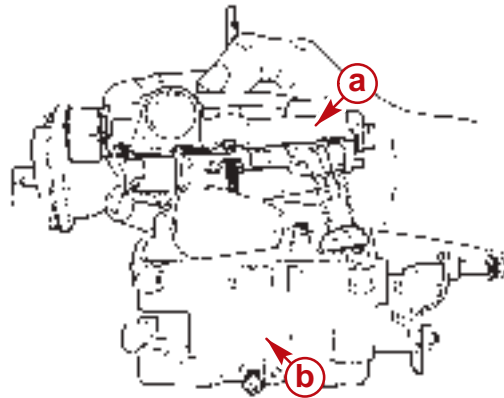
4. Remove air horn attaching screws as shown.



72280

**a** - Air Horn Attaching Screws

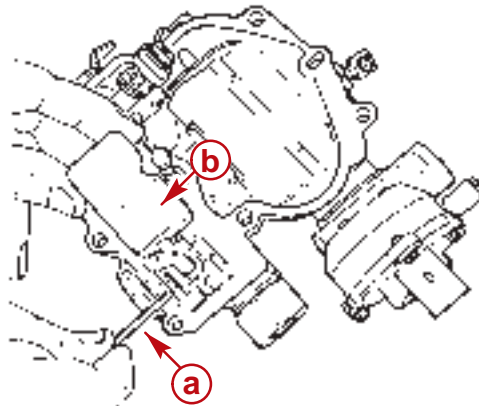
5. Carefully lift air horn from float bowl assembly.



72400

**a** - Air Horn Assembly  
**b** - Float Bowl Assembly

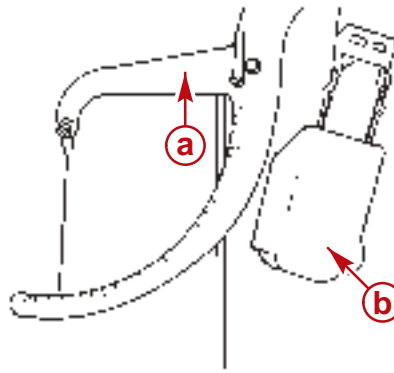
6. Invert air horn and carefully lay on bench.  
 7. Remove float hinge pin and lift float assembly from air horn.



72288

**a** - Float Hinge Pin  
**b** - Float Assembly

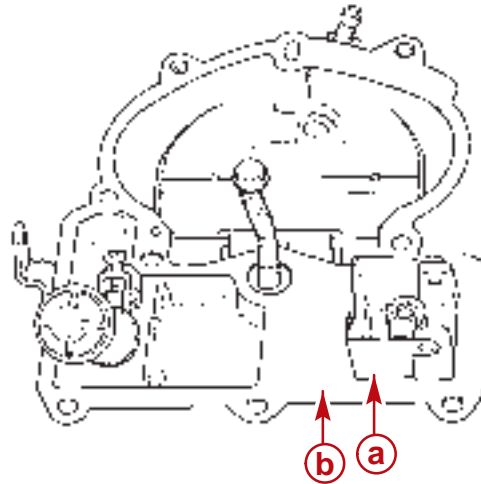
8. Check float weight as shown.



72122

- a** - Grams Scale
- b** - Float

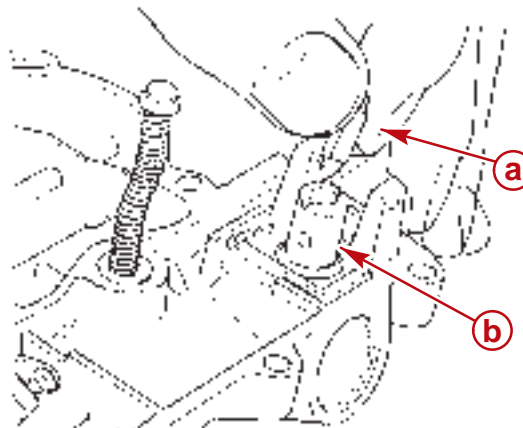
9. Remove air horn gasket and baffle.



72399

- a** - Baffle
- b** - Air Horn Gasket

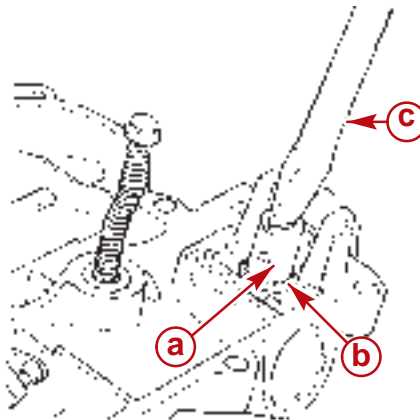
10. Remove needle assembly.



72287

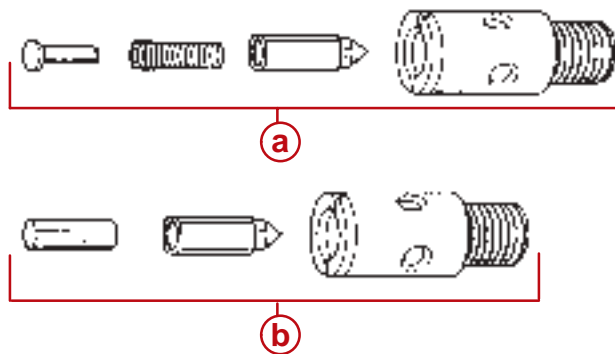
- a** - Needle Assembly
- b** - Needle Seat

11. Remove needle seat.



72289

- a** - Needle Seat
- b** - Gasket
- c** - Screwdriver

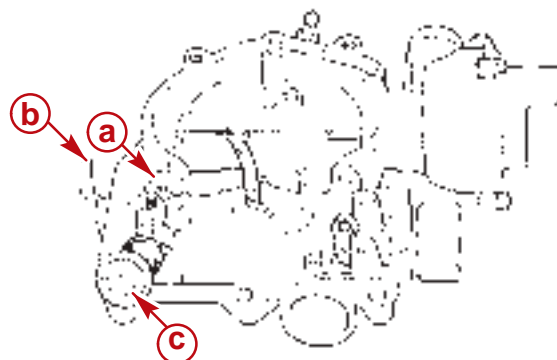


72290

**Needle and Seat Assemblies**

- a** - Spring Loaded Type Needle (Kit 3302-9029)
- b** - Solid Type Needle (Kit 3302-9407)

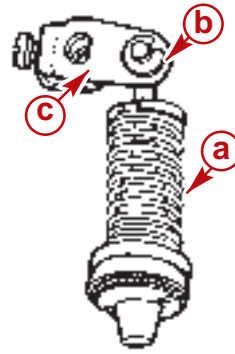
12. Loosen accelerator pump screw. Slide pump shaft and lever assembly (and washer) out of air horn, then remove accelerator pump assembly.



72398

- a** - Setscrew
- b** - Lever Assembly
- c** - Pump Assembly

- Remove retainer clip and washer from pump shaft and lever assembly, then remove accelerator pump assembly.

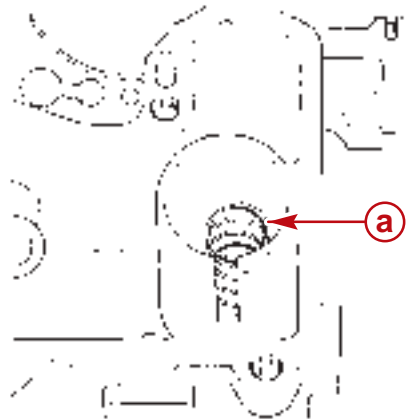


72409

- a** - Pump Assembly
- b** - Retainer Clip
- c** - Lever Assembly

### FLOAT BOWL ASSEMBLY

- Remove accelerator pump return spring from pump well.



72402

- a** - Accelerator Pump Spring

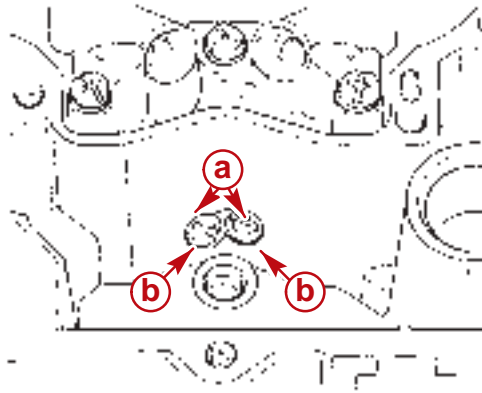
- Remove power valve assembly and gasket.



72404

- a** - Power Valve Assembly
- b** - Gasket (Not Shown)

- Remove main metering jets.

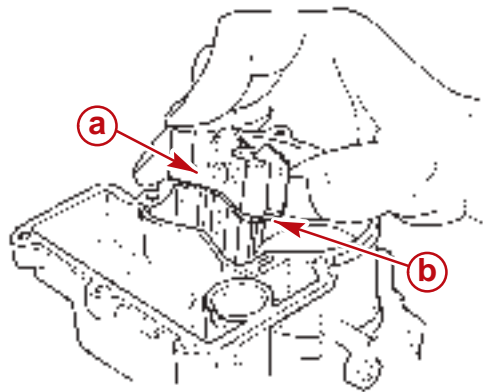


72291

- a** - Main Metering Jets
- b** - Gaskets (Not Shown)

**IMPORTANT:** Use care when removing venturi cluster to prevent damaging brass tubes which protrude from bottom of cluster. **DO NOT REMOVE TUBES.** These tubes are permanently pressed into the venturi cluster and are not replaceable.

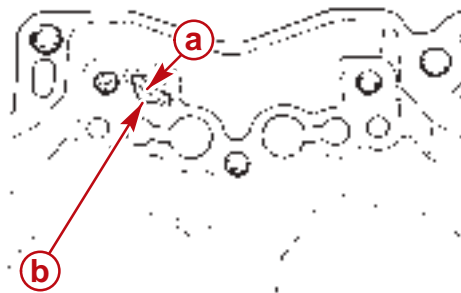
- Remove three venturi cluster screws, and carefully lift cluster and venturi gasket straight up.



72292

- a** - Venturi Cluster Brass Tubes
- b** - Gasket

- Using needle-nose pliers, remove accelerator pump check ball spring retainer. Turn float bowl over to remove spring and check ball.



72407

- a** - Spring Retainer
- b** - Spring and Check Ball (Not Shown)



## Cleaning and Inspection

**IMPORTANT: DO NOT** use a wire or drill to clean jet passages or tubes in carburetor, as this may enlarge orifices and seriously affect carburetor calibration.

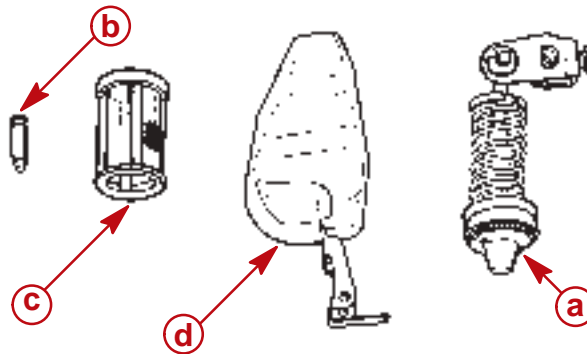
### ⚠ CAUTION

To avoid damage to carburetor **DO NOT** leave carburetor in immersion type carburetor cleaner for more than two hours.

**IMPORTANT: DO NOT** clean float bowl gasket surfaces with a gasket scraper or knife, as sealing bead will be damaged and float bowl replacement will be necessary.

### ⚠ CAUTION

The float assembly, float needle, accelerator pump plunger, and fuel filter **MUST NOT BE** immersed in carburetor cleaner, as they will swell, harden, and/or distort.



- a - Accelerator Pump Plunger
- b - Float Needle
- c - Fuel Filter
- d - Float Assembly

72410

### ⚠ WARNING

**Avoid personal injury by always wearing safety goggles when using compressed air.**

1. Thoroughly clean all metal parts in a commercial carburetor cleaner, until all deposits have been removed. Follow cleaner manufacturer's instructions for proper cleaning and rinsing procedure. Dry parts with compressed air.
2. Using compressed air, blow out all passages in carburetor to remove any foreign material.
3. Wipe off all parts that cannot be cleaned in carburetor cleaner with a clean, dry cloth.
4. Carefully inspect all carburetor parts for wear and damage; pay particular attention to the following:
  - a. **Float Needle and Seat:** If float needle or seat is worn or damaged, replace with new needle and seat assembly.

**IMPORTANT: Float needle and seat are factory matched and tested and should be replaced as a set only.**

- b. **Float Assembly and Hinge Pin:** Check float density (to see if it is saturated with fuel) by comparing weight of float with specifications. If weight is high, float assembly must be replaced. Check hinge pin and holes for wear.

- c. **Fuel and Air Passages:** Passages must be perfectly clean for proper carburetor operation.
- d. **Accelerator Pump Plunger and Return Spring:** Inspect pump plunger cup, pump plunger spring (on pump assembly) and return spring.
- e. **Power Piston Spring:** Check power piston spring for weakness or distortion.
- f. **Idle Mixture Needle:** Inspect idle mixture needle. If damaged, needle must be replaced.
- g. **Levers and Linkages:** Check levers, links and rods for wear.
- h. **Throttle Valve and Shaft:** Check throttle shaft for excessive looseness in throttle body. Check throttle valve and shaft for binding through entire operating range, making sure valve opens and closes completely. Throttle body assembly must be replaced if throttle valve and shaft are worn or damaged.
- i. **Choke Valve and Shaft and Lever Assembly:** Check shaft and lever assembly for excessive looseness in air horn assembly. Check choke valve and shaft and lever assembly for binding through entire operating range, making sure valve opens and closes completely. Air horn assembly must be replaced if choke valve and shaft and lever assembly are worn or damaged.
- j. **Inspect Casting** for visible damage. Inspect gasket surfaces. Inspect accelerator pump plunger well for scoring or deposits.

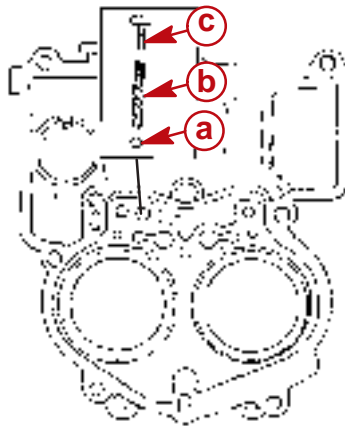
## Reassembly

**IMPORTANT: DO NOT force idle mixture needle against seat as damage to needle and/or seat will result.**

## FLOAT BOWL ASSEMBLY

**IMPORTANT: Place float bowl and throttle assemblies in holding fixture to prevent throttle valves from being damaged.**

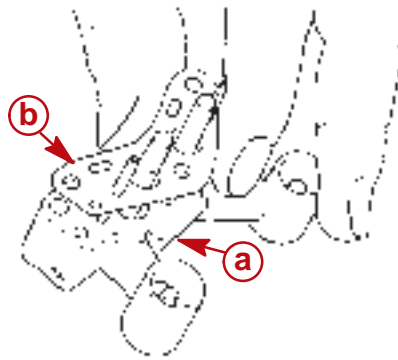
1. Install check ball, spring, and retainer in passage as shown. Push retainer firmly into slots.



- a** - Check Ball
- b** - Spring
- c** - Retainer

72408

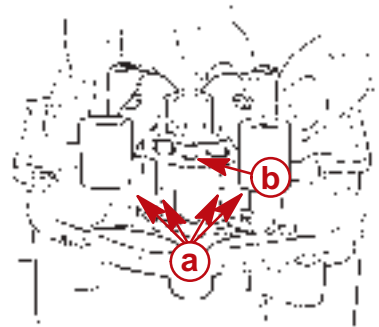
2. Install new gasket on venturi cluster as shown.



72296

- a** - Venturi Cluster (I.D. No. 421)
- b** - Gasket

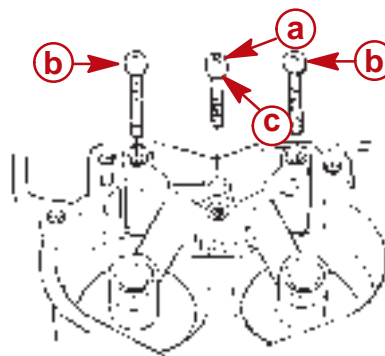
3. Install venturi cluster in carburetor as shown.



72397

- a** - Venturi Cluster
- b** - Gasket

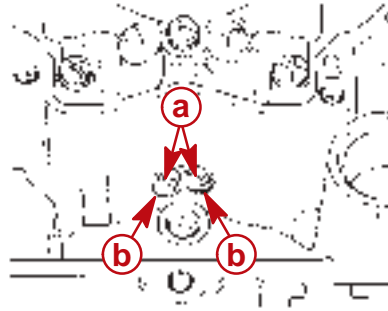
4. Install flat washer and new fiber washer on center screw. Lockwashers and flat washers are used on outer screws. Tighten screws evenly and securely.



72405

- a** - Center Screw
- b** - Outside Screws
- c** - Fiber Washer

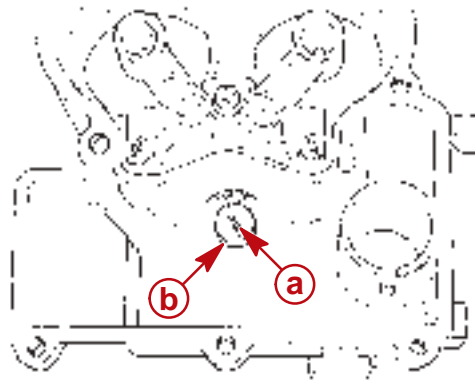
5. Install main metering jets with gaskets as shown. Tighten securely.



72291

- a** - Main Metering Jets  
**b** - Gaskets (Not Shown)

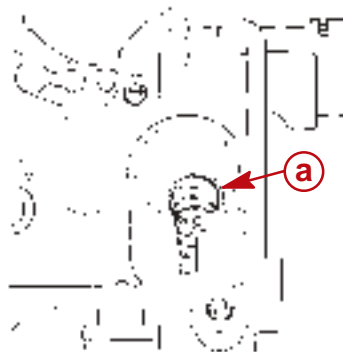
6. Install power valve with new gasket. Tighten securely.



72404

- a** - Power Valve  
**b** - Gasket (Not Shown)

7. Place accelerator pump spring in pump well.



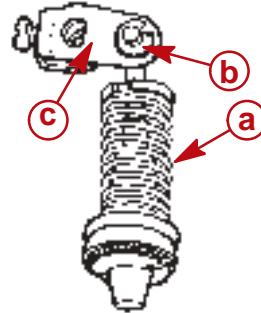
72402

- a** - Accelerator Pump Spring

## AIR HORN ASSEMBLY

**IMPORTANT: Accelerator pump assembly MUST BE installed correctly. If pump assembly is installed incorrectly, top of pump assembly will contact air horn casting.**

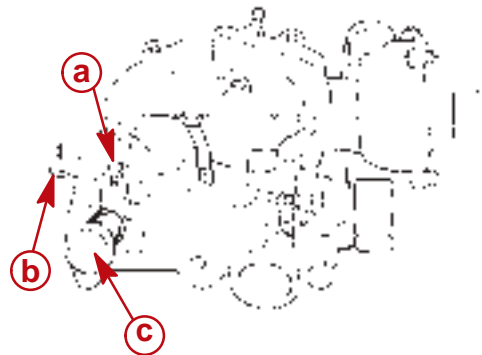
1. If accelerator pump assembly was removed from pump lever, secure pump assembly to pump lever with washer and retainer clip, as shown.



72409

- a** - Pump Assembly
- b** - Retainer Clip
- c** - Pump Lever

2. Insert pump shaft and lever assembly (and washer) into air horn; then, align indexed hole in pump lever with shaft and lever assembly and slide shaft all the way into lever so that shoulder on shaft is hitting lever. Tighten setscrew securely.



72398

- a** - Setscrew
- b** - Lever Assembly
- c** - Pump Assembly

3. Install needle seat and gasket. Tighten securely.

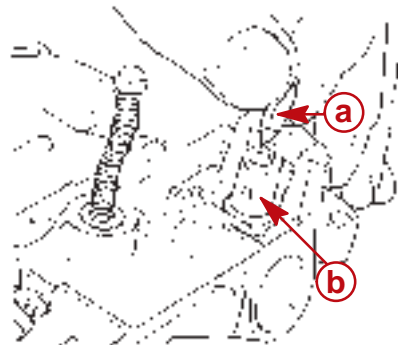


72289

- a** - Needle Seat
- b** - Gasket
- c** - Screwdriver

**IMPORTANT: Float needle and needle seat are factory matched and tested and should be replaced as a set only.**

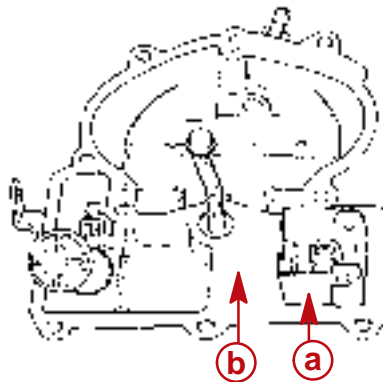
4. Place needle assembly in needle seat.



72287

- a** - Needle Assembly
- b** - Needle Seat

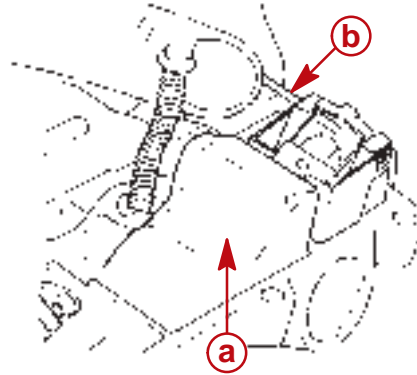
5. Install baffle and gasket.



72399

- a** - Baffle
- b** - Gasket

- Install float assembly and hinge pin. Pivot float assembly up and down on hinge pin to ensure it moves freely.



72297

- a** - Float Assembly
- b** - Float Hinge Pin

### FLOAT LEVEL

- Turn air horn upside down. Pivot float assembly up and down on hinge pin to ensure it moves freely.

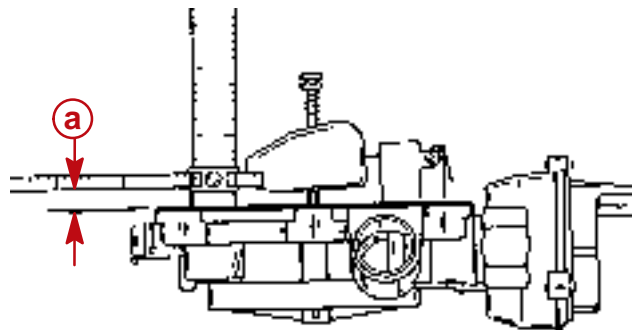
**IMPORTANT: Before checking float level, raise float and allow it to fall; however, DO NOT force downward by hand.**

- Measure float level using Universal Carburetor Gauge (91-36392). Measure from gasket to toe of float.



72298

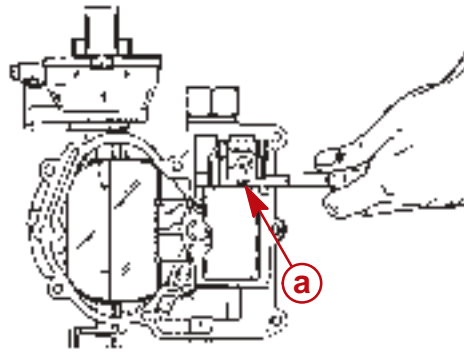
- a** - Measure from This Point to Gasket



72687

- a** - Measurement With 2 Piece Solid Inlet Needle - 3/8 in. (10 mm)
- b** - Measurement With Spring Loaded Inlet Needle - 9/16 in. (14 mm)

- Bend float arm up or down at point shown to obtain specified dimension.



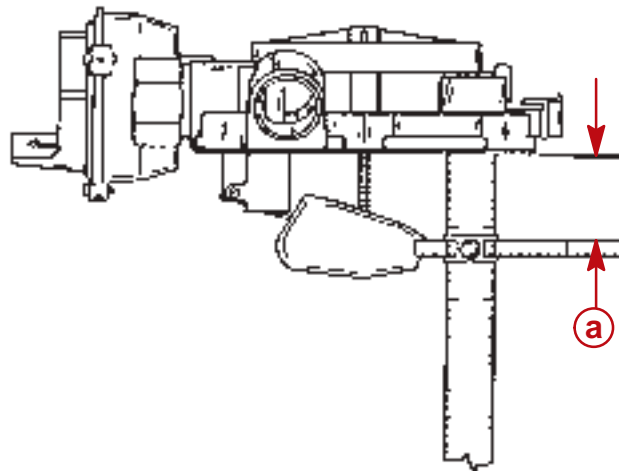
72688

**a** - Bend Float Arm at This Point

- Visually check float alignment after adjustment.

## FLOAT DROP

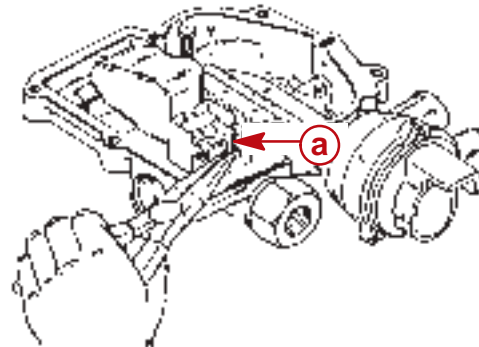
- Hold air horn right side up to allow float to hang free.
- Measure float drop using Universal Carburetor Gauge (91-36392). Measure from gasket to toe of float.



72689

**a** - Measurement - 1-3/32 in. (27 mm)

- Bend float assembly tang, as shown, to obtain specified dimension.

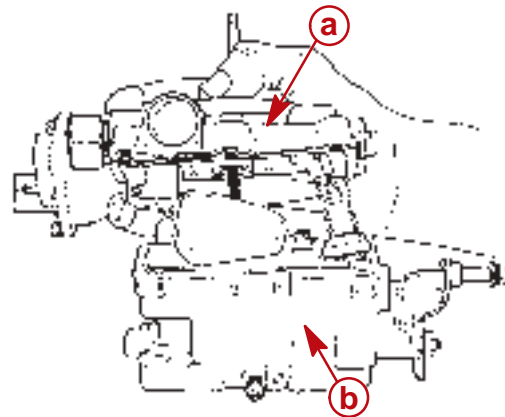


72690

**a** - Float Assembly Tang



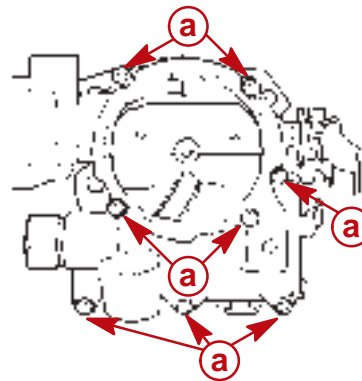
4. Recheck BOTH float level and float drop.
5. Carefully place air horn on float bowl, making sure accelerator pump is correctly positioned in fuel well. Lower air horn straight down to install.



72400

- a** - Air Horn Assembly
- b** - Float Bowl Assembly

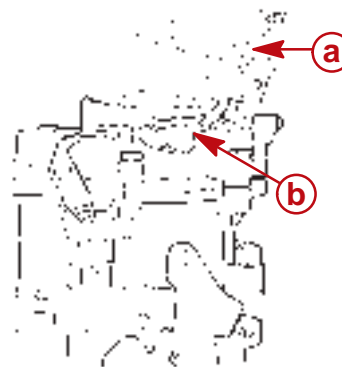
6. Install seven short and one long air horn attaching screws. Tighten screws evenly and securely.



72280

- a** - Air Horn Attaching Screws

7. Place end of choke rod in choke lever and collar assembly.



72299

- a** - Choke Rod
- b** - Choke Lever and Collar Assembly

8. Place idle cam on choke rod.



72392

- a** - Idle Cam  
**b** - Choke Rod

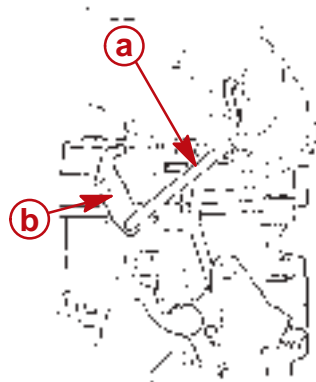
9. Secure idle cam (with choke rod installed on cam) on float bowl assembly, using screw. Check that cam is free to move without binding.



72282

- a** - Screw  
**b** - Idle Cam  
**c** - Choke Rod

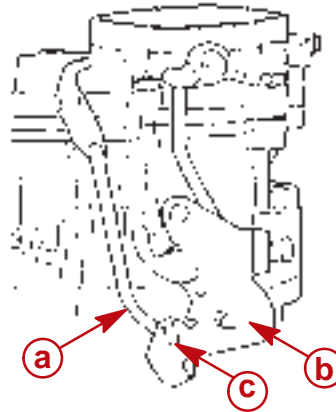
10. Place accelerator pump rod (end with ear) in hole in pump shaft and lever assembly.



72393

- a** - Accelerator Pump Rod  
**b** - Pump Shaft and Lever Assembly

11. Insert remaining end of accelerator pump rod into hole in throttle lever and secure with retainer clip.

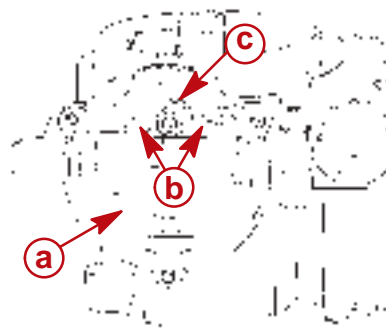


72283

- a** - Accelerator Pump Rod
- b** - Throttle Lever
- c** - Retainer Clip

### CHOKE HOUSING ASSEMBLY

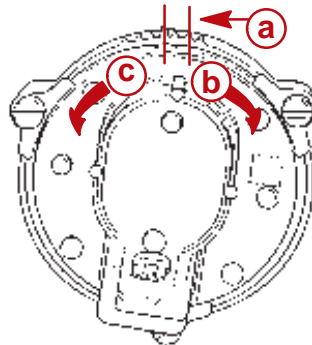
1. Install choke housing on air horn; tighten screws securely. Install choke lever; tighten screw securely.



72401

- a** - Choke Housing
- b** - Choke Housing Attaching Screws
- c** - Choke Lever

2. Install choke cover. Make sure hook on end of choke coil engages with choke lever. Rotate choke cover until index marks align as shown. Tighten screws securely.



72403

- a** - Scribed Mark
- b** - More Choke
- c** - Less Choke

**THIS PAGE IS INTENTIONALLY BLANK**

# COOLING SYSTEM

## Section 6A - Seawater Cooled Models

### Table of Contents

Torque Specifications .....	6A-2	Testing .....	6A-5
Tools .....	6A-2	Installation .....	6A-7
Lubricants/Sealants/Adhesives .....	6A-2	Cold Weather Or Extended Storage .....	6A-7
Specifications .....	6A-2	Precautions .....	6A-7
Identification .....	6A-3	Draining Instructions .....	6A-8
Flushing Cooling System .....	6A-3	Recommissioning .....	6A-12
Sterndrive Seawater Pickup Pump .....	6A-4	Auxiliary Hot Water Heater Installation ..	6A-14
Thermostat .....	6A-5	Cooling System Flow Diagram .....	6A-16
Removal .....	6A-5		

**NOTICE**

For information and procedures on “Troubleshooting,” refer to SECTION 1C.

**NOTICE**

For “Cold Weather Or Extended Storage” information and procedures, refer to SECTION 1B.

## Torque Specifications

Description	lb-ft	Nm
Power Steering Pump Bracket	30	41
Thermostat Cover	30	41
Thermostat Housing	30	41
Drain Plugs <sup>1</sup>	Tighten Securely	
Hose Clamps		

<sup>1</sup> Coat threads with Quicksilver Perfect Seal before installing except blue plastic plugs with rubber seals.

## Tools

Description	Part Number
Flush Device	44357A2

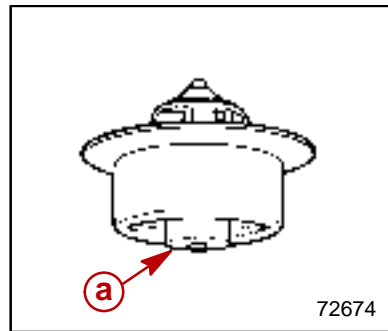
## Lubricants/Sealants/Adhesives

Description	Part Number
Quicksilver Perfect Seal	92-34227--1

## Specifications

Cooling System Capacity	9 (8.5)
Thermostat (Brass)	143°F (62°C)
Thermostat (Stainless)	160°F (71°C)

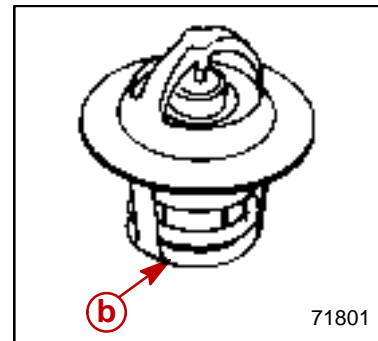
## Identification



**Brass Thermostat<sup>1</sup>**

<sup>1</sup>Serial number break:0L340999 and below.

<sup>2</sup>Serial number break:0L341000 and above.



**Stainless Steel Thermostat<sup>2</sup>**

## Flushing Cooling System

If engine is operated in salty, polluted or mineral laden waters, cooling system should be flushed periodically (preferably after each use) to reduce corrosion and prevent the accumulation of deposits in the system. Cooling system also should be thoroughly flushed prior to storage.

### ⚠ WARNING

When flushing cooling system with boat out of water, be certain that area in vicinity of propeller is clear and no one is standing nearby.

### ⚠ CAUTION

If boat is in the water, seacock (if equipped) must be left closed until engine is to be restarted to prevent water from flowing back into cooling system. If boat is not fitted with a seacock, water inlet hose must be left disconnected and plugged, to prevent water from flowing into cooling system and/or boat. As a precautionary measure, attach a tag to the ignition switch or steering wheel with the warning that the seacock must be opened or the water inlet hose reconnected prior to starting the engine.

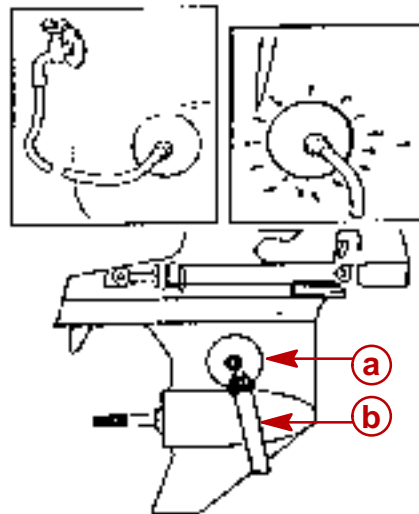
### ⚠ CAUTION

Observe temperature gauge on dash to ensure that engine does not overheat.

### ⚠ CAUTION

Do not run engine above 1500 rpm when flushing. Suction created by seawater pick-up pump may collapse flushing hose, causing engine to overheat.

## Sterndrive Seawater Pickup Pump



72672

- a** - Flush Device
- b** - Water Hose

1. Install flush device and connect water hose between it and water tap.
2. Saltwater areas and boat in the water:
  - a. Raise sterndrive unit to full trailer position.
  - b. Install flush device over water intake holes.
  - c. Lower sterndrive unit to full down position.
3. Partially open water tap (approximately 1/2 maximum capacity) and allow cooling system to fill completely. DO NOT use full water tap pressure.

### **⚠ CAUTION**

**Do not run engine above 1500 rpm when flushing. Suction created by seawater pickup pump may collapse flushing hose, causing engine to overheat.**

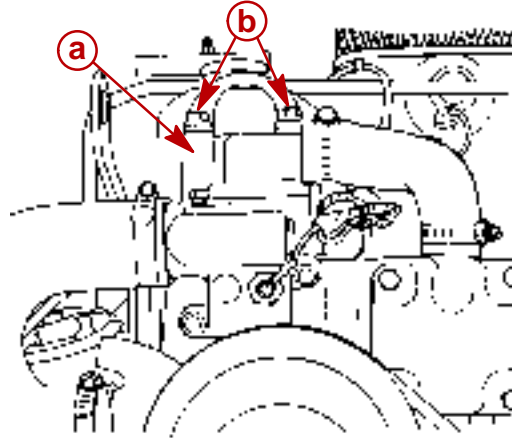
4. Place remote control in NEUTRAL, idle speed position and start engine. Operate engine at idle speed, in NEUTRAL, for about 10 minutes, or until discharge water is clear. Watch temperature gauge on instrument panel to ensure that engine does not overheat.
5. Stop engine, turn off water tap and remove flush device.



# Thermostat

## Removal

1. Drain water from cylinder block and exhaust manifold.
2. Disconnect hoses from thermostat cover.
3. Remove thermostat cover attaching bolts and lockwashers.
4. Remove thermostat from thermostat housing or cover.



73572

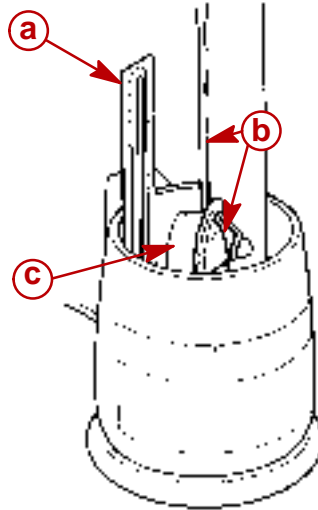
### 140° Thermostat Housing Shown

- a** - Thermostat Cover
- b** - Attaching Bolts

## Testing

1. Clean thermostat in soap and water to remove any deposits or debris.
2. Inspect for corrosion or other visible damage.
3. If thermostat is suspected of producing insufficient engine temperature, check thermostat for leakage by holding it up to a lighted background. Light leakage around the thermostat valve indicates that thermostat is not closing completely and should be replaced. (A small amount of leakage one or two locations around the valve perimeter is acceptable.)
4. Check opening and closing temperature of the thermostat (using a tester similar to one shown below), as follows:
  - a. Fill tester to within 1 inch (25 mm) of top with tap water. DO NOT use distilled water.
  - b. Open thermostat valve and insert nylon string. Position thermostat on string so that it will be just below water level when suspended, then allow valve to close. Suspend thermostat in water.

- c. Place thermometer in container and position so that bottom of thermometer is even with bottom of thermostat. DO NOT allow thermometer to touch container.



72675

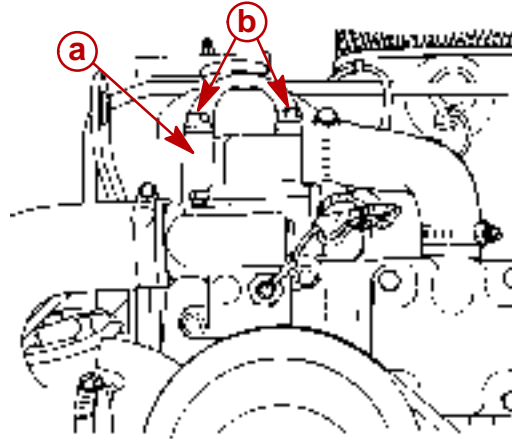
- a - Thermometer
- b - Nylon String
- c - Thermostat

**IMPORTANT: When performing Steps d through f, water must be thoroughly agitated to obtain accurate results.**

- d. Plug in tester and observe temperature at which thermostat opens (thermostat drops off thread). Thermostat must open at specified temperature stamped on thermostat.
- e. Continue heat water until a temperature 25° F (14° C) above temperature specified on thermostat valve must be completely open at this temperature.
- f. Replace a thermostat that fails to meet all of the preceding tests.

# Installation

1. Clean gasket surfaces on thermostat cover and thermostat housing.
2. Place thermostat in thermostat housing with thermostatic element end toward housing. Be sure to position thermostat so that mounting flange fits into recess in thermostat housing.
3. Coat both sides of new thermostat housing gasket with Quicksilver Perfect Seal and position on thermostat cover and torque bolts to 30 lb-ft (41 Nm).



73572

## 140° Thermostat Housing Shown

- a** - Thermostat Cover
- b** - Attaching Bolts

4. Reconnect hose to thermostat cover.
5. Start engine and inspect for leaks.

# Cold Weather Or Extended Storage

## Precautions

### ⚠ WARNING

**BE CAREFUL** while working on fuel system; gasoline is extremely flammable and highly explosive under certain conditions. Be sure that ignition key is OFF and do not smoke or allow sources of spark and/or open flames in the area.

### ⚠ WARNING

To prevent a potential fire hazard, be sure that engine compartment is well ventilated and that there are no gasoline vapors present during starting or fogging of engine.

### ⚠ CAUTION

**DO NOT** operate engine without water flowing through seawater pickup pump, as pump impeller may be damaged and subsequent overheating damage to engine or sterndrive unit may result.

**⚠ CAUTION**

Seawater section of cooling system **MUST BE COMPLETELY** drained for winter storage, or immediately after cold weather use, if the possibility of freezing temperatures exists. Failure to comply may result in trapped water causing freeze and/or corrosion damage to engine.

**⚠ CAUTION**

If boat is in the water, seacock (water inlet valve), if equipped, must be closed until engine is to be re-started, to prevent water from flowing back into cooling system and/or boat. If boat is not fitted with a seacock, water inlet hose must be disconnected and plugged to prevent water from flowing back into cooling system and/or boat. As a precautionary measure, attach a tag to the ignition switch or steering wheel of the boat with the warning that the seacock must be opened or the water inlet hose reconnected prior to starting engine.

**IMPORTANT:** Observe the following information to ensure complete draining of cooling system:

- Engine must be as level as possible.
- A wire should be repeatedly inserted into all drain holes to ensure there are no obstructions in passages. Remove petcock, if necessary, to insert wire completely into drain hole.

**IMPORTANT:** To prevent threads in manifolds, elbows and cylinder blocks from rusting out during storage, reinstall plugs using Quicksilver Perfect Seal on threads. Never leave drain plugs out during storage.

**NOTE:** If possible, place a container under drains and hoses to prevent water from draining into boat.

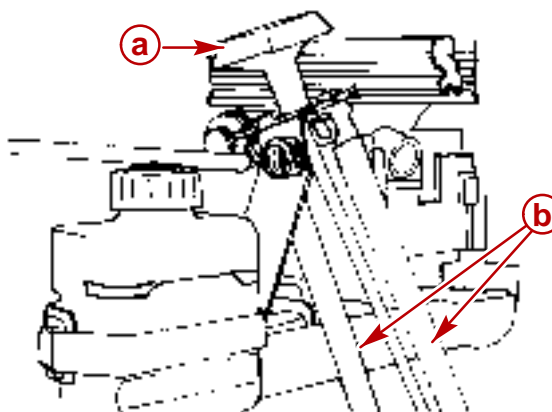
**⚠ CAUTION**

Cooling system must be completely drained for storage, or trapped water may cause freeze and/or corrosion damage to engine.

## Draining Instructions

### SINGLE POINT DRAIN SYSTEM

Some models are equipped with a single point drain system consisting of 2 hoses with hardware and a T-handle retrieval tool (shown below). This system drains the seawater section of the engine only.

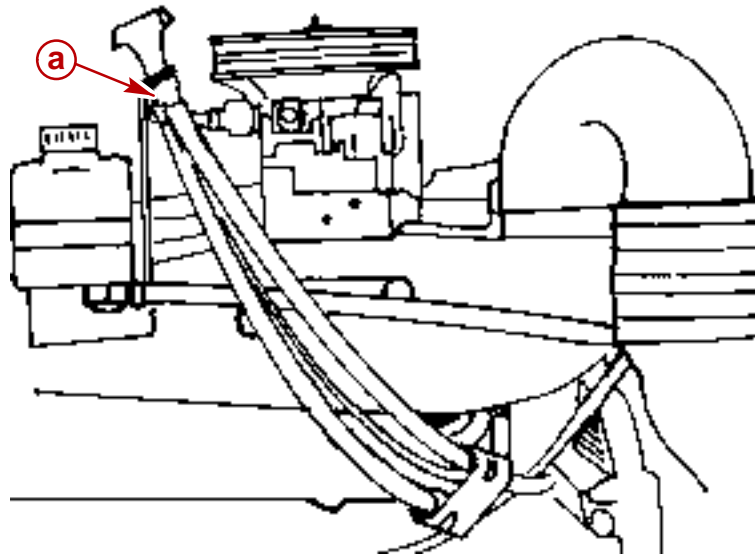


- a** - T-handle Retrieval Tool
- b** - Hoses

76242

If your engine is equipped with this device, follow this procedure:

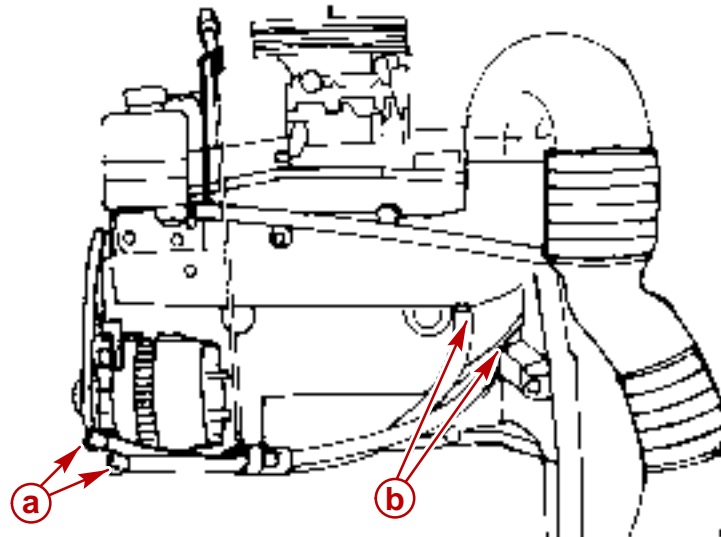
1. Detach the hoses from the top fittings.



76243

**a** - Fittings

2. Lower hoses into bilge. If hoses have developed a "set," T-handle retrieval tool can be used to push hoses below their connection point.



76244

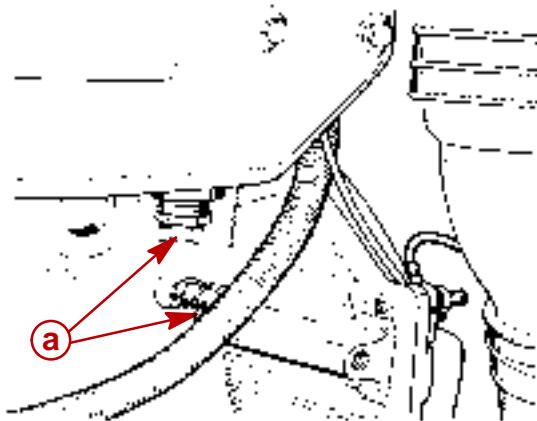
**a** - Hoses  
**b** - Connection Points

**IMPORTANT: Hoses must be lowered below their connection point on the engine in order to drain completely.**

3. If hoses do not drain, use wire to remove blockage.
4. Pull hoses back into original position after draining is complete. Reconnect to fittings.

## STANDARD DRAINING PROCEDURES

1. Engine must be level or front of engine slightly higher to properly drain cooling system.
2. Remove drain plugs from cylinder block and manifold.



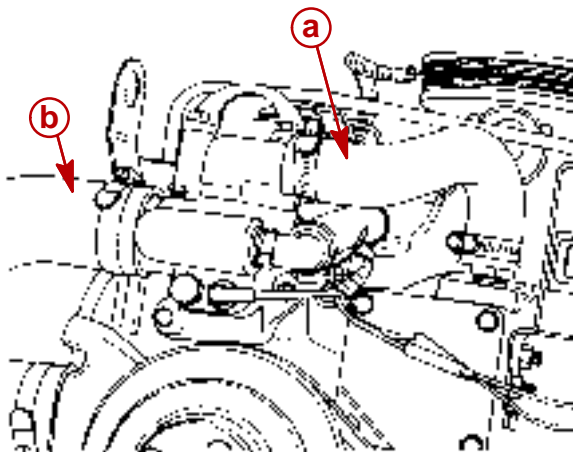
71424

**a** - Drain Plug (Port and Starboard)

3. Repeatedly clean out drain holes using a stiff piece of wire. Do this until entire system is drained.

**NOTE:** It may be necessary to lift, bend, or lower hoses to allow water to drain completely when hoses are disconnected.

4. Remove and lower the hoses to allow them to drain.

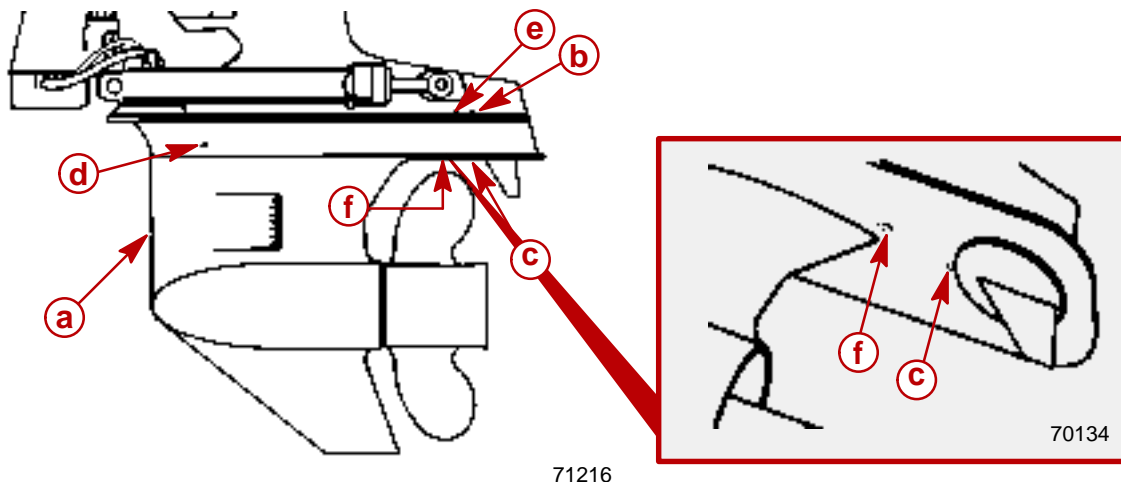


75815

### 140° Thermostat Housing Shown

- a** - Inlet Hose
- b** - Circulating Pump Hose

5. Insert a small wire (repeatedly) to make sure that vent holes and water drain holes and passages (as shown) are unobstructed and open.

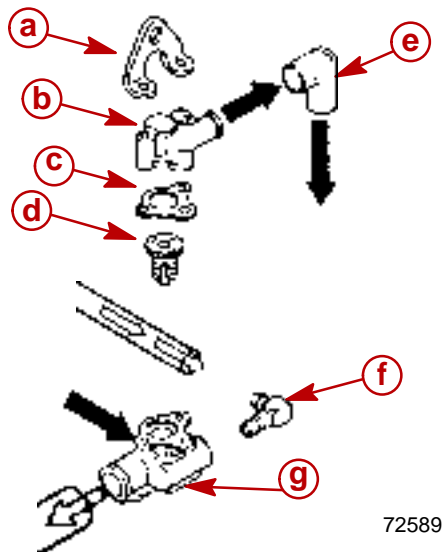


- a** - Speedometer Pitot Tube
- b** - Gear Housing Cavity Drain Hole
- c** - Trim Tab Cavity Vent Hole
- d** - Trim Tab Cavity Drain Passage
- e** - Gear Housing Water Drain Hole (One Each - Port and Starboard)
- f** - Gear Housing Cavity Vent Hole

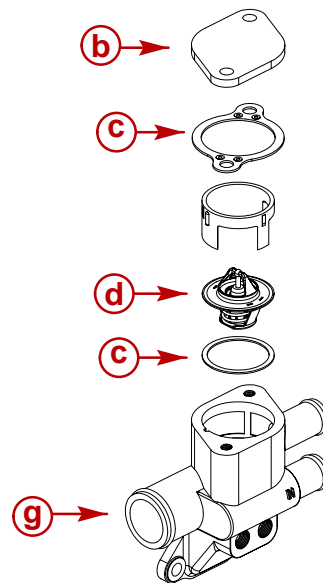
6. Crank engine over SLIGHTLY, with starter motor, to purge any water trapped in seawater pickup pump. DO NOT ALLOW ENGINE TO START.
7. After seawater section of cooling system has drained completely:
  - a. Coat threads of drain plugs (except blue plastic plugs with seals) with Perfect Seal and install.
  - b. Tighten drain plugs securely.
  - c. Reconnect hoses and tighten all hose clamps securely.
  - d. **If NOT equipped with seacock:** Seawater inlet hose must remain disconnected and plugged until engine is to be restarted.

**IMPORTANT:** MerCruiser recommends that propylene glycol antifreeze (nontoxic and biodegradable, which makes it friendly to lakes and rivers) be used in seawater section of the cooling system for cold weather or extended storage. Make sure that the propylene glycol antifreeze contains a rust inhibitor and is recommended for use in marine engines. Be certain to follow the propylene glycol manufacturer's recommendations.

8. For additional assurance against freezing and rust, remove the thermostat cover and thermostat. Fill the engine seawater cooling system with a mixture of antifreeze and tap water mixed to manufacturer's recommendation to protect engine to the lowest temperature to which it will be exposed during cold weather or extended storage. Using a new gasket, reinstall thermostat and cover. Tighten cover bolts to 30 lb-ft (41 Nm).



72589



76246

- a - Lifting Eye
- b - Cover
- c - Gasket
- d - Hose
- e - Thermostat
- f - Fitting
- g - Housing

**NOTE:** Hoses shown removed only to indicate flow. Do not remove hoses.

## Recommissioning

### NOTICE

Refer to "Cold Weather or Extended Storage Precautions" in this section **BEFORE** proceeding.

### ⚠ WARNING

To prevent possible injury or damage to equipment, do not install battery until all maintenance has been performed on engine.

1. Check that all cooling system hoses are connected properly and hose clamps are tight. Check that all drain plugs are installed and tightened securely.
2. Inspect drive belts.

### ⚠ CAUTION

When installing battery, be sure to connect **NEGATIVE (-)** battery cable to **NEGATIVE (-)** battery terminal and **POSITIVE (+)** battery cable to **POSITIVE (+)** battery terminal. If battery cables are reversed, electrical system damage will result.



3. Install fully-charged battery. Clean battery cable clamps and terminals and reconnect cables (see CAUTION listed above). Tighten each cable clamp securely when connecting.
4. Coat terminal connections with a battery terminal anti-corrosion agent.
5. Perform all maintenance tasks listed in the MAINTENANCE SCHEDULES, except those performed during the power package lay up procedure.
6. Perform all checks in the BEFORE STARTING column of the Operation and Maintenance Manual OPERATION CHART.

**⚠ CAUTION**

**Refer to FLUSHING COOLING SYSTEM before starting engine.**

7. Supply water to the seawater pickup pump as outlined in "Flushing Cooling System."
8. Start engine and closely observe instrumentation to make sure that all systems are functioning correctly.
9. Carefully inspect engine for fuel, oil, fluid, water and exhaust leaks.
10. Check steering system and shift and throttle controls for proper operation.
11. For drive unit, refer to appropriate sterndrive manual.

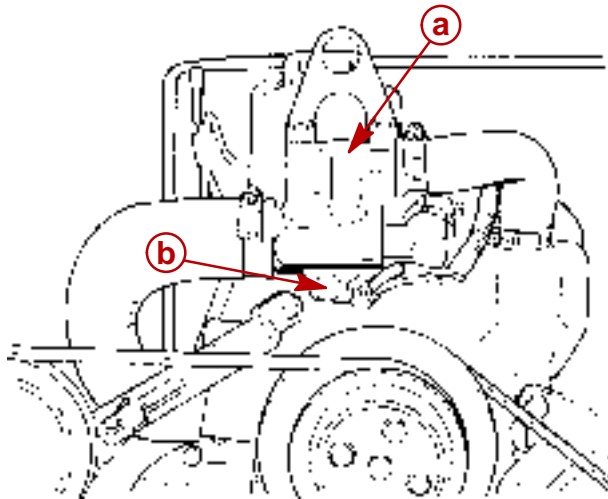
# Auxiliary Hot Water Heater Installation

When connecting a cabin heater or hot water heater to a MerCruiser engine, certain requirements must be met.

- Supply hose (from engine to heater) and return hose (from heater to engine) **MUST NOT EXCEED** 5/8 in. (15.8 mm) I.D. (inside diameter).
- Make heater connections **ONLY** at locations described in the following instructions.
- Check complete system for leaks after heater is connected into cooling system.
- Check for overheating condition (of engine) after heater is connected.

An auxiliary hot water heater kit is not available from Mercury Marine for this model MerCruiser engine. To connect a cabin heater or hot water heater to these engines, use the following procedure:

1. Drain water from cooling system.
2. Remove plug for thermostat housing at location shown.

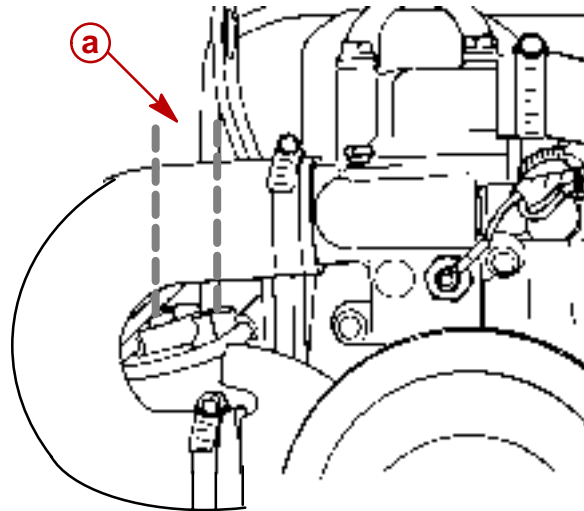


50628

## Typical

- a** - Thermostat Housing
- b** - Plug

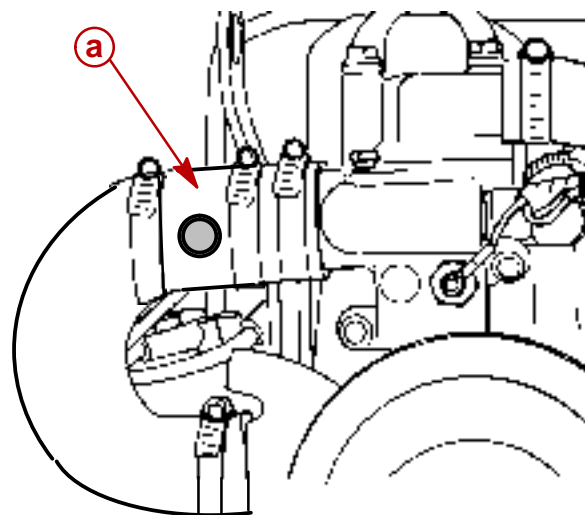
- Cut hose for return fitting as shown below. Cut approximately 3/4 in. (19 mm) out of hose to maintain proper hose configuration.



73572

**Typical****a** - Cut Hose at This Location

- Install return fitting in hose and tighten hose clamps securely.



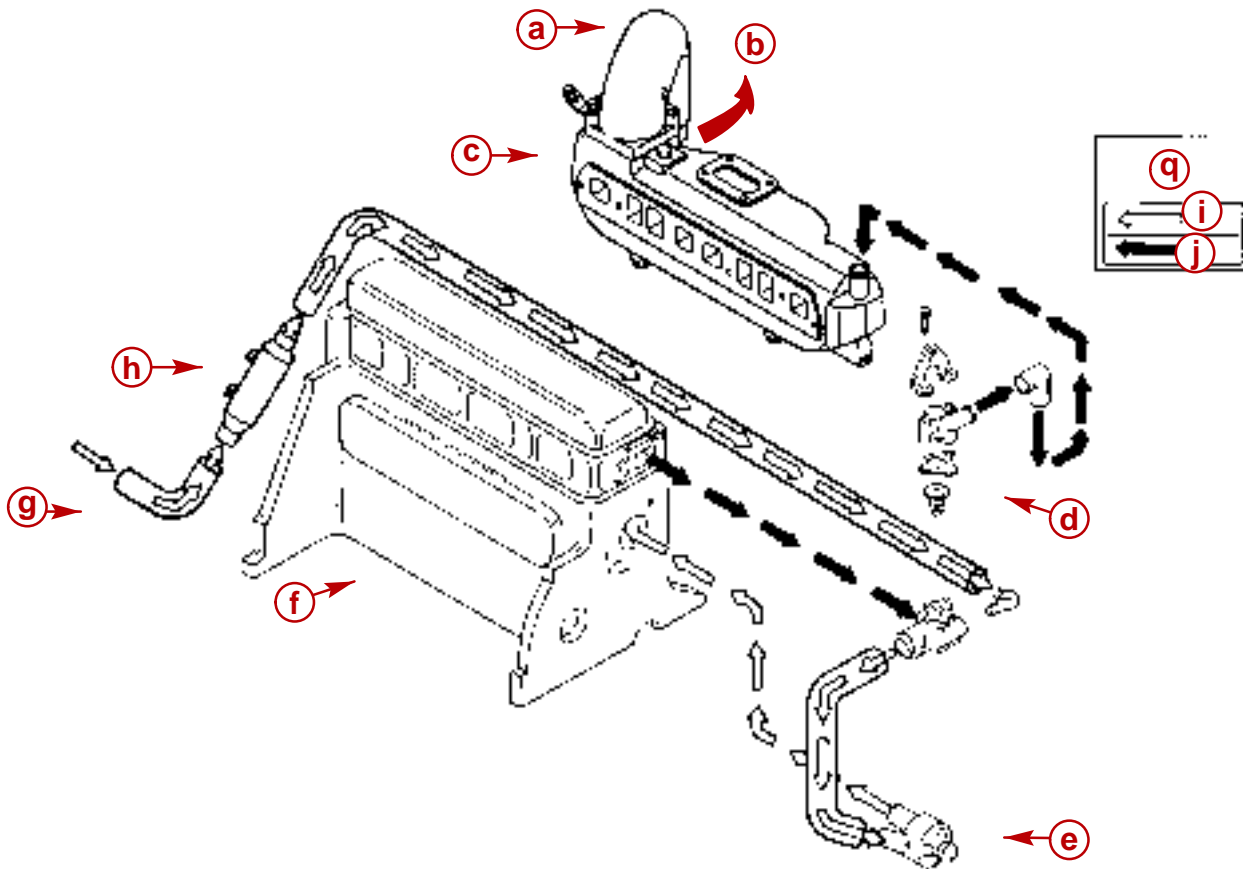
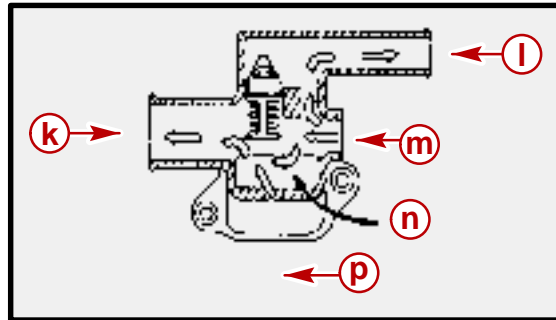
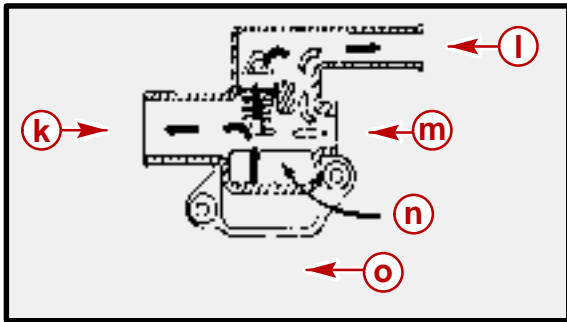
73572

**Typical****a** - Return Fitting

- Connect hot water return hose to return fitting and tighten hose clamps securely.
- Ensure that hoses do not rub or chafe against any engine components.

# Cooling System Flow Diagram

MerCruiser engines with standard cooling systems use seawater (water in which the boat is being operated), to remove the heat given off by the engine. The seawater is pumped to the cooling system by means of an impeller type pickup pump (located in the vertical drive) which picks up seawater, and delivers it to the centrifugal pump (located over an opening on the front of the cylinder block). On some models seawater may be pumped through an oil cooler before going to the circulating pump. The centrifugal pump then circulates the seawater through the block, head and manifolds, removing heat given off by these parts as it passes through. After passing through the engine, the seawater is pumped into the exhaust elbow where it mixes with exhaust gases and then is expelled overboard. A thermostatic heat control, which controls circulation of seawater, also is incorporated into the system. It provides fast engine warm-up and controlled operating temperature.



50745

- a** - Exhaust Elbow Assembly
- b** - Overboard (Water/Exhaust) Discharge
- c** - Intake And Exhaust Manifold (3.0LX)
- d** - Thermostat Housing And Cover Assembly
- e** - Engine Circulating Pump
- f** - Engine Block And Head Assembly (181 cid [3.0L])
- g** - Seawater Intake (From Stern Drive)
- h** - Power Steering Cooler, If Equipped
- i** - Cold
- j** - Warm
- k** - To Engine Circulating Pump
- l** - To Exhaust Manifold
- m** - Inlet From Stern Drive
- n** - Flow From Engine Block And Cylinder Head
- o** - Water Flow Through Thermostat Housing With Thermostat Open
- p** - Water Flow Through Thermostat Housing With Thermostat Closed
- q** - Thermostat Legend

**THIS PAGE IS INTENTIONALLY BLANK**

# COOLING SYSTEM

## Section 6B - Closed Cooled Models

### Table of Contents

Torque Specifications .....	6B-2	Changing Coolant .....	6B-11
Lubricants/Sealants/Adhesives .....	6B-2	Closed Cooling Section .....	6B-11
Specifications .....	6B-2	Coolant Recommendations .....	6B-11
Description .....	6B-2	Change Intervals .....	6B-11
Coolant Recovery Bottle .....	6B-3	Draining Instructions .....	6B-12
Pressure Cap Maintenance .....	6B-4	Draining Diagram .....	6B-14
Heat Exchanger Repair .....	6B-5	Cleaning System .....	6B-15
Testing Closed Cooling System .....	6B-5	Closed Cooling Section .....	6B-15
Testing Coolant for Alkalinity .....	6B-5	Seawater Section .....	6B-15
Pressure Testing System .....	6B-5	Flushing Seawater Section of Closed	
Testing for Cylinder Head Gasket		Cooling System .....	6B-17
Leak .....	6B-6	Draining Seawater Section of Closed	
Testing Heat Exchanger .....	6B-7	Cooling System .....	6B-19
Testing Pressure Cap .....	6B-7	Recommissioning .....	6B-20
Thermostat .....	6B-9	Filling Closed Cooling Section .....	6B-21
Removal .....	6B-9		
Testing .....	6B-9		
Installation .....	6B-10		

## Torque Specifications

Description	lb-in.	lb-ft	Nm
Drain Plugs	Securely		
Heat Exchanger End Caps	190		22
Reservoir to Thermostat Housing		30	41
Thermostat Cover		20	27
Hose Clamps	Securely		
Heat Exchanger Mounting Brackets			

## Lubricants/Sealants/Adhesives

Description	Part Number
Quicksilver 2-4-C Marine Lubricant With Teflon	92-825407A3
Quicksilver Perfect Seal	92-34227--1

## Specifications

Cooling System Capacity	9 (8.5)
Thermostat	143° F (62° C)
Cap Pressure	14 psi (97 kPa)

## Description

There are several configurations of this cooling system, but the operation is essentially identical. Basically, the system is composed of two separate subsystems: the seawater system and the closed cooling system. The seawater system is similar in function to the fan used in an automobile because it absorbs heat (from the closed cooling system) as it passes through the heat exchanger. The closed cooling system is similar in function to the rest of the cooling system in an automobile.

The coolant recovery system keeps the reservoir full. Normal coolant overflow into recovery bottle is approximately 1/2 pint (230 ml) during warm-up. The coolant recovery system draws coolant back into the reservoir from the recovery bottle as the engine cools. As long as there is coolant in the recovery bottle, the reservoir should remain completely full. If not, there's a vacuum leak, usually at the hose leaving the reservoir, or the gasket under the recovery filler cap. The gasket seals against the outer rim of the filler neck.

**IMPORTANT: The coolant (antifreeze) flows around the outside of the cooling tubes while seawater flows through the inside of the cooling tubes in the heat exchanger.**

Engine exhaust manifold is seawater cooled. Sterndrive seawater pickup pumps seawater through the heat exchanger.



## Coolant Recovery Bottle

Before starting engine each day, ensure that coolant is visible in coolant recovery bottle.

If coolant is not visible, check fresh water section of cooling system (including coolant recovery system) for leaks and repair, as necessary. Refill fresh water section with recommended coolant solution, as outlined under "Changing Coolant," following.

If coolant is visible, start engine and run until it reaches normal operating temperature, then recheck coolant level in coolant recovery bottle. Coolant level **MUST BE** between the ADD and FULL marks (on front of bottle).

### **WARNING**

**Allow engine to cool before removing pressure cap, as sudden loss of pressure could cause hot coolant to boil and discharge violently. After engine has cooled, turn cap 1/4 turn to allow any pressure to escape slowly, then push down and turn cap all the way off.**

If level is low, remove fill cap from coolant recovery bottle and add required amount of coolant solution. Use a 50/50 mixture of ethylene glycol antifreeze and pure, soft water for coolant additions. If frequent additions of coolant are required, check fresh water section for leaks.

**IMPORTANT: ALCOHOL OR METHANOL BASE ANTIFREEZE OR PLAIN WATER ARE NOT RECOMMENDED FOR USE IN COOLING SYSTEM AT ANY TIME. In areas where ethylene glycol is not available, and the possibility of freezing does not exist, it is permissible to use a solution of rust inhibitor and pure, soft water (mixed to manufacturer's recommendations).**

Occasionally, ensure that coolant recovery system is functioning properly by removing pressure cap from heat exchanger and checking level. Coolant level should be up to bottom of heat exchanger filler neck. If low, examine entire fresh water section (especially coolant recovery system) for leaks and repair, if necessary.

**IMPORTANT: When reinstalling pressure cap, be sure to tighten it until it contacts stops on filler neck.**

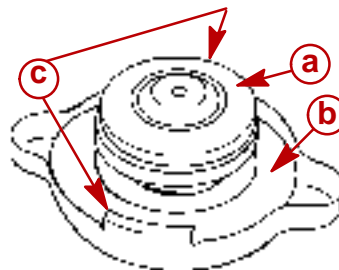
## Pressure Cap Maintenance

Pressure cap is designed to maintain pressure in fresh water section of closed cooling system once the engine has attained normal operating temperature. This raises the boiling point of the coolant, thereby increasing the efficiency of the cooling system. To help ensure proper operation, cap should be cleaned, inspected and pressure tested periodically as follows:

### **⚠ WARNING**

**Allow engine to cool before removing pressure cap (in next step), as sudden loss of pressure could cause hot coolant to boil and discharge violently. After engine has cooled, turn cap 1/4 turn to allow any pressure to escape slowly, then push down and turn cap all the way off.**

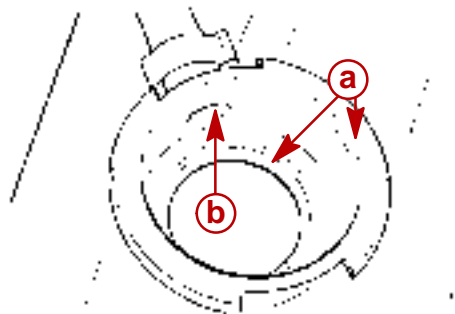
1. Remove pressure cap from heat exchanger.
2. Wash cap with clean water to remove any deposits or debris from sealing surfaces.
3. Inspect rubber seal on cap for cuts, cracks or other signs of deterioration. If seal is damaged, cap **MUST BE** replaced.
4. Inspect coolant recovery gasket for deterioration and replace if bad.
5. Check condition of locking tabs on cap. Replace cap if tabs are bent or cracked.



72714

- a** - Rubber Seal (Cap **MUST BE** Replaced if Damaged)
- b** - Gasket (Look for Cracks under Gasket)
- c** - Locking Tabs (1 Hidden)

6. Refer to "Testing Pressure Cap" and test pressure cap as outlined.
7. Clean sealing surfaces on heat exchanger filler neck with a cloth. Inspect surfaces for any damage or deposits that may prevent cap from sealing properly.
8. Clean coolant recovery passage in heat exchanger filler neck with a wire and blow out with compressed air.



72715

- a** - Inspect for Damage
- b** - Clean Coolant Recovery Passages

9. Reinstall pressure cap, being sure to tighten until it contacts stops on filler neck.

## Heat Exchanger Repair

**IMPORTANT: Braze with BCUP 2 rod or silver solder. Care must be taken not to melt other joints during repair.**

1. Internal leaks can be repaired by brazing shut the ends of the leaking tube. This is only a temporary fix because usually another tube will start leaking after a short period of time and this also causes a reduction in cooling capacity. Do not close more than three tubes.
2. Nipples and drains that have been broken off the heat exchanger can be reattached by brazing.

## Testing Closed Cooling System

### Testing Coolant for Alkalinity

#### WARNING

**Allow engine to cool before removing pressure cap as sudden loss of pressure could cause hot coolant to boil and discharge violently. After engine has cooled, turn cap 1/4 turn to allow any pressure to escape slowly, then push down and turn cap all the way off.**

Coolant in fresh water section should be changed every two years and should be checked for alkalinity at least once between change intervals. To check coolant for alkalinity, proceed as follows:

1. Obtain pink litmus paper from a local supplier (drug store, pet shop, etc.).
2. Remove pressure cap from heat exchanger and insert one end of litmus paper into coolant.
3. **If pink litmus paper turns blue**, coolant is alkaline and need not be replaced.
4. **If pink litmus paper remains pink**, coolant is not alkaline and **MUST BE REPLACED**, as explained under "Changing Coolant."

### Pressure Testing System

#### WARNING

**Allow engine to cool before removing pressure cap. Sudden loss of pressure could cause hot coolant to boil and discharge violently. After engine has cooled, turn cap 1/4 turn to allow any pressure to escape slowly, then push down and turn cap all the way off.**

If coolant section of closed cooling system is suspected of leaking or not holding sufficient pressure, and no visible signs of leakage can be found, perform the following test:

1. Remove pressure cap from heat exchanger or reservoir.
2. Clean, inspect and pressure test pressure cap, as outlined under "Testing Pressure Cap," to eliminate the possibility that cap is not maintaining proper pressure in system and is causing coolant to boil over.
3. Clean inside of filler neck to remove any deposits or debris. Examine lower inside sealing surface for nicks or other damage. Surface must be perfectly smooth to achieve a good seal between it and rubber seal on cap. Also check locking cams on sides of filler neck to be sure that they are not bent or damaged. If locking cams are bent or damaged, pressure cap will not hold the proper pressure.
4. Adjust coolant level in fresh water section to 1 in. (25 mm) below filler neck.

5. Attach an automotive-type cooling system pressure tester to filler neck and pressurize closed cooling section to amount specified in following chart, based on pressure cap rating for your engine.

Pressure Cap Rating	Amount of Pressure Applied to Closed Cooling System
14 psi (97 kPa)	17 psi (117 kPa)

6. Observe gauge reading for approximately two minutes; pressure should not drop during this time. If pressure drops, proceed with the following steps until leakage is found.
7. While maintaining specified pressure on closed cooling section, visually inspect external portion of cooling system (hoses, gaskets, drain plugs, petcocks, core plugs, circulating pump seal, etc.) for leakage. Also listen closely for bubbling or hissing, as they usually are a sure indication of a leak.
8. Refer to "Testing Heat Exchanger" in this section and test as outlined.
9. If no leakage could be found in above steps, engine is leaking internally, and it probably is due to one or more of the following: (1) loose cylinder head bolts or damaged gasket, (2) loose intake manifold bolts or damaged gasket, (3) loose exhaust elbow or distribution block retaining nuts or damaged gasket, (4) cracked or porous cylinder head or block, or (5) cracked or porous exhaust manifold. Proceed as follows until location of internal leak is found.
  - a. Start engine. Re-pressurize system to previously specified amount and observe pressure gauge on tester. If needle in gauge vibrates, compression or combustion is leaking into closed cooling section from a leak in the combustion chamber. Exact cylinders, where leakage is taking place, sometimes can be found by removing spark plug wires (one at a time) while observing pressure gauge. Vibration will decrease or stop when plug wire is removed from leaking cylinder. Stop engine.
  - b. Remove spark plugs (one at a time) from cylinders and examine for presence of coolant. A spark plug that is perfectly clean or milky appearing is a sure indication of a leak.
  - c. Drain oil from engine and examine for presence of coolant. Oil usually will be milky if coolant is present. If coolant is present, remove engine from boat and drop the oil pan. With engine in the upright position, re-pressurize closed cooling section to previously specified amount and examine internal surfaces of engine to locate leak.
  - d. If no leakage can be found in above steps, entire engine must be disassembled and inspected for leakage.

## Testing for Cylinder Head Gasket Leak

A leaking head gasket will cause combustion gas to be forced into the cooling system. The mixture of coolant and tiny air bubbles is a poor heat conductor and will overheat an engine quickly. Compression tests or cooling system pressure check normally will not detect the leak because the test pressure is far below the combustion pressures which cause the leak. An effective test is as follows:

**IMPORTANT: Run boat in lake for this test. It is best to run the engine at or above cruising speed during this test. Usually a failed head gasket will not cause the engine to overheat below cruising speed.**

1. Install a clear plastic hose between the reservoir and coolant recovery bottle. Use a 2-3 ft (61-91 cm) long hose for this test.
2. Route this hose so a "U" is formed.

3. Put enough coolant into hose to fill the center 4 or 5 inches (10-13 cm) of the "U."
4. Observe the "U" while the engine is running.
  - a. **During Idle and Warm-Up:** Some coolant and/or air will leave the reservoir.
  - b. **During Cruising Speed (2500-3500 rpm):** Coolant and/or air leaving the reservoir should stop after approximately five minutes running at a given rpm. A leaking head gasket will produce air bubbling through the "U," going to the coolant recovery bottle. The frequency and size of the bubbles will depend on the size of the leak.
  - c. **At Higher Speeds (4000+ rpm):** Normal operation is the same as described in "b" above. A failed head gasket will cause the bubbles to come faster and may be accompanied by violent, intermittent bursts of coolant.

It is important not to confuse normal warm-up expansion with a failed head gasket. Normal warm-up produces an intermittent flow of coolant which will stop within approximately five minutes at a given rpm. A head gasket leak will not stop because the one thing that marks a failed head gasket is the continued passage of air. This may be accompanied by violent, intermittent bursts of coolant leaving the reservoir. If coolant continues to flow (not in violent, intermittent bursts) from the reservoir at cruising speed, something else besides the head gasket is causing the engine to overheat.

## Testing Heat Exchanger

**FOR INTERNAL LEAK:** An internal leak will cause coolant to go into the seawater circuit when pressure is put on the closed cooling circuit.

1. Remove a seawater hose from the exchanger. Do not drain the exchanger.
2. Pressurize the closed cooling circuit to 14-20 psi (97-138 kPa) with a radiator tester.
3. If seawater begins to flow from the nipple there is a leak.

### FOR BLOCKAGE:

**IMPORTANT: Seawater flows THROUGH the tubes in the exchanger. Closed cooling coolant flows AROUND the tubes.**

1. Remove end caps and inspect for any blockage in the seawater circuit (broken impeller blades, weeds, etc.).
2. Remove closed cooling circuit hoses and inspect the tubes just inside the nipples. Because the complete exchanger cannot be inspected, the heat exchanger should be replaced if blockage is suspected.

## Testing Pressure Cap

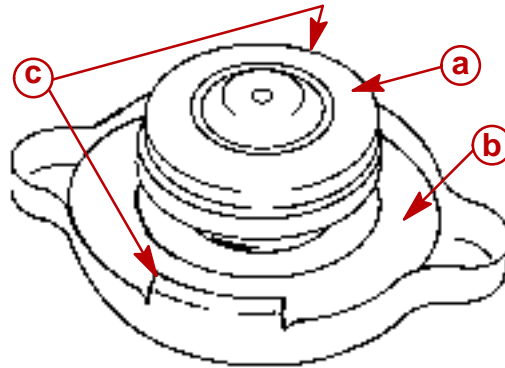
Pressure cap is designed to maintain a pressure of approximately its rated capacity (refer to "Specifications") in closed cooling section once engine has attained operating temperature. Cap should be cleaned, inspected and pressure-tested at regular tune-up intervals or whenever cap is suspected of maintaining improper pressure as follows:

### WARNING

**Allow engine to cool before removing pressure cap. Sudden loss of pressure could cause hot coolant to boil and discharge violently. After engine has cooled, turn cap 1/4 turn to allow any pressure to escape slowly, then push down and turn cap all the way off.**

1. Carefully remove pressure cap from reservoir or heat exchanger.
2. Wash cap with clean water to remove any deposits or debris from sealing surfaces.

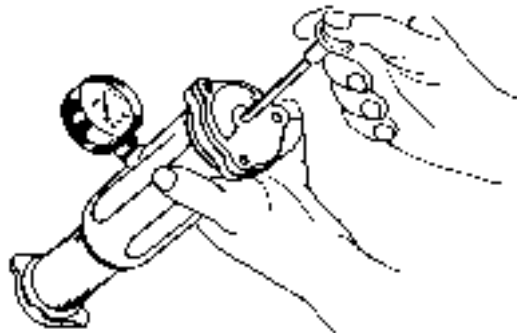
- Inspect gasket (if used) and rubber seal on cap for tears, cuts, cracks or other signs of deterioration. Replace gasket, if damaged, or entire cap if rubber seal is damaged.



72714

- a** - Rubber Seal (Cap MUST BE Replaced if Damaged)
- b** - Gasket (Look for Cracks under Gasket)
- c** - Locking Tabs (1 Hidden)

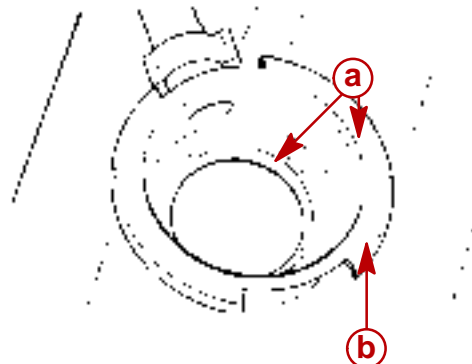
- Check that locking tabs on cap are not bent or damaged.
- Using a cooling system pressure tester (similar to one shown), test cap to be sure that it releases at proper pressure and does not leak. (Refer to instructions which accompany tester for correct test procedure.) Cap must relieve pressure at 14 psi (97 kPa), and must hold rated pressure for 30 seconds without going below 11 psi. Replace cap if it fails to fall within these limits.



72716

**IMPORTANT:** Before reinstalling cap in next step, examine lower inside sealing surface in filler neck to ensure that it is perfectly smooth and free of debris. Also, inspect cam lock flanges on sides of filler neck to be sure that they are not bent.

- Examine sealing surface and cam lock flanges as described in important above.



72715

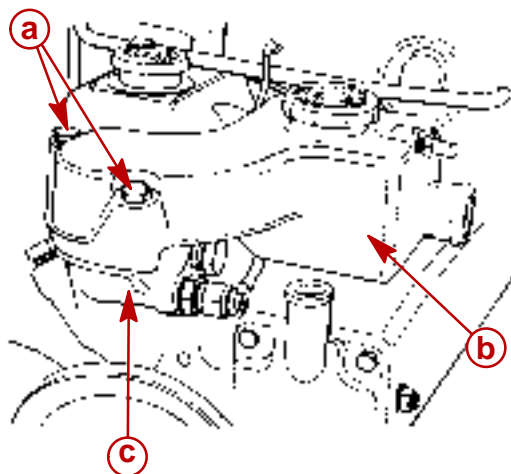
- a** - Inspect for Damage
- b** - Cam Lock Flange

- Reinstall cap on reservoir or heat exchanger.

# Thermostat

## Removal

1. Drain coolant from cylinder block and exhaust manifold.
2. Disconnect hoses from thermostat cover attaching bolts and lock-washers, then remove cover and gasket.
3. Remove thermostat from thermostat housing.

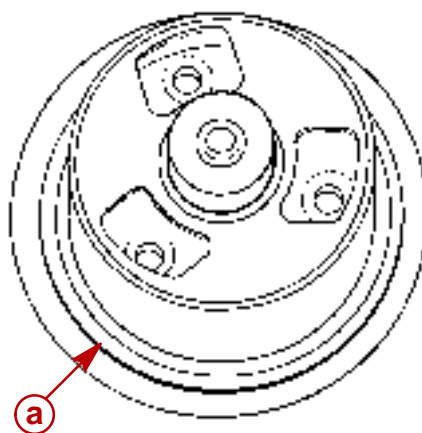


73575

- a** - Bolts
- b** - Reservoir
- c** - Thermostat Housing

## Testing

1. Clean thermostat in soap and water to remove any deposits or debris.
2. Inspect thermostat for corrosion or other visible damage.
3. If thermostat is suspected of producing insufficient engine temperature, check thermostat for leakage by holding it up to lighted background. Light leakage around the thermostat valve indicates that thermostat is not closing completely and should be replaced. (A small amount of leakage at one or two points around the valve perimeter is acceptable.)



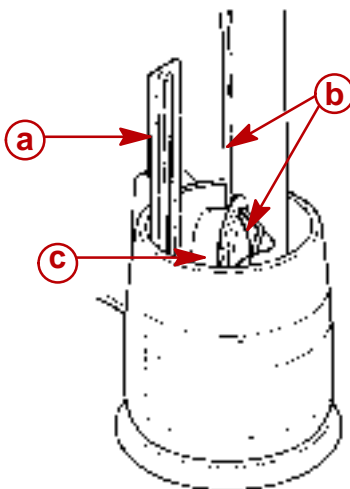
72717

### Brass Thermostat (Stainless Steel Similar)

- a** - Check for Light Leakage Around Perimeter of Valve



4. Check opening and closing temperature of thermostat (using a tester similar to the one shown), as follows:
  - a. Fill tester to within 1 in. (25 mm) of top with tap water. Do not use distilled water.
  - b. Open thermostat valve and insert thread. Position thermostat on nylon string so that it will be just below water level when suspended, then allow valve to close. Suspend thermostat in water.



72675

- a - Thermometer
- b - Nylon String
- c - Thermostat

- c. Place thermometer in container and position so that bottom of thermometer is even with bottom of thermostat. Do not allow thermometer to touch container.

**IMPORTANT: When performing instructions “d” and “e,” water must be agitated thoroughly to obtain accurate results.**

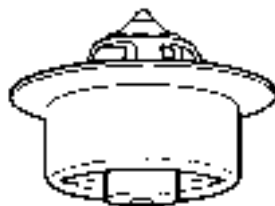
- d. Plug in tester and observe temperature at which thermostat opens (thermostat drops off thread). Thermostat must open at 138-145°F (59-63°C). Thermostat must be completely open at 170°F (77°C).
- e. Unplug tester and allow water to cool to a temperature 10°F (5°C) below specified temperature on thermostat. Thermostat must be completely closed at this temperature.
- f. Replace a thermostat that fails to meet all of the preceding tests.

## Installation

1. Remove thermostat housing and gaskets. Discard gaskets.
2. Clean gasket surfaces on thermostat cover, thermostat housing and intake manifold.
3. Position lower gasket (with continuity rivets) on intake manifold. Place thermostat housing on gasket.

**IMPORTANT: If gasket has continuity rivets, do not coat with Quicksilver Perfect Seal, or audio warning temperature switch may not work properly.**

4. Install thermostat as shown, into thermostat housing.



72674



**⚠ CAUTION**

**Avoid seawater pickup pump impeller damage. DO NOT operate engine without cooling water being supplied to seawater pickup pump.**

5. With boat in the water and/or cooling water properly supplied to seawater pickup pump, start engine and inspect for leaks.

## Changing Coolant

**NOTICE**

**For information and procedures on “Draining The Seawater Cooling System,” and “Cold Weather Or Extended Storage,” refer to SECTION 1B.**

## Closed Cooling Section

Closed cooling section of closed cooling system should be kept filled year-round with recommended coolant solution. Do not drain closed cooling section for storage, as this will promote rusting of internal surfaces. If engine will be exposed to freezing temperatures, make sure that closed cooling section is filled with an ethylene glycol antifreeze and water solution, mixed to manufacturer’s recommended proportions, to protect engine to lowest temperature to which it will be exposed. If necessary, change coolant.

## Coolant Recommendations

**⚠ CAUTION**

**Alcohol or Methanol base antifreeze or plain water are not recommended for use in fresh water section of closed cooling system at any time.**

MerCruiser recommends the use of Extended Life 5/100 Ethylene Glycol Antifreeze/Coolant mixed 50/50 with purified water. If this is not available, use a 50/50 mixture of ethylene glycol antifreeze and tap water. In areas where temperatures generally do not go below 32° F (0° C), rust inhibitor and tap water is acceptable. Extended Life 5/100 Ethylene Glycol Antifreeze/Coolant should be changed every 5 years or 1,000 hours whichever occurs first. Any other coolants should be changed every 2 years or 400 hours, whichever occurs first.

## Change Intervals

Drain and flush coolant from the closed cooling system at least every two years or whenever exhaust gases have entered the system.

## Draining Instructions

**⚠ WARNING**

**Allow engine to cool before removing pressure cap. Sudden loss of pressure could cause hot coolant to boil and discharge violently. After engine has cooled, turn cap 1/4 turn to allow any pressure to escape slowly, then push down and turn cap all the way off.**

**IMPORTANT: Engine must be as level as possible to ensure complete draining of cooling system.**

**IMPORTANT: Closed cooling section must be kept filled year round with recommended coolant. If engine will be exposed to freezing temperatures, make sure closed cooling section is filled with an ethylene glycol antifreeze and water solution properly mixed to protect engine to lowest temperature to which it will be exposed.**

**IMPORTANT: Do not use Propylene Glycol Antifreeze in the closed cooling section of the engine.**

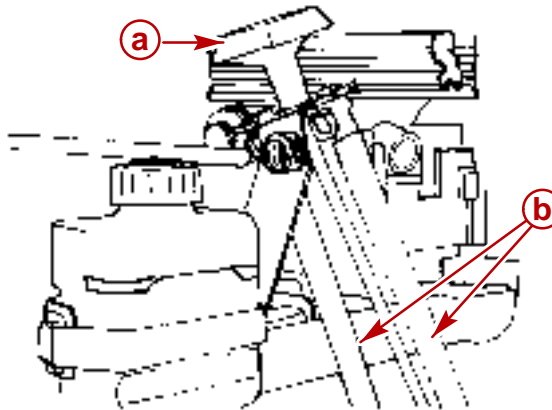
The following draining instructions apply to all engines equipped with closed cooling. The location of petcocks that require opening and hoses that require removal are represented on the following pages for the individual engines.

**IMPORTANT: Observe precautions previously outlined before proceeding.**

1. Remove pressure cap from coolant tank.
2. Drain coolant from locations as shown for your model and engine. (Refer to the appropriate diagram on the following "Draining Diagrams" page.)
3. After coolant has drained completely, coat threads of drain plugs with Quicksilver Perfect Seal and install drain plugs and hoses. Tighten clamps and drain plugs securely.
4. Remove coolant recovery bottle from mounting bracket and pour out coolant.
5. Clean system as outlined in "Cleaning System."
6. Fill system as outlined in "Filling Closed Cooling Section."

### SINGLE POINT DRAIN SYSTEM

Some models are equipped with a single point drain system consisting of 2 hoses with hardware and a T-handle retrieval tool (shown below). This system drains the seawater section of the engine only.

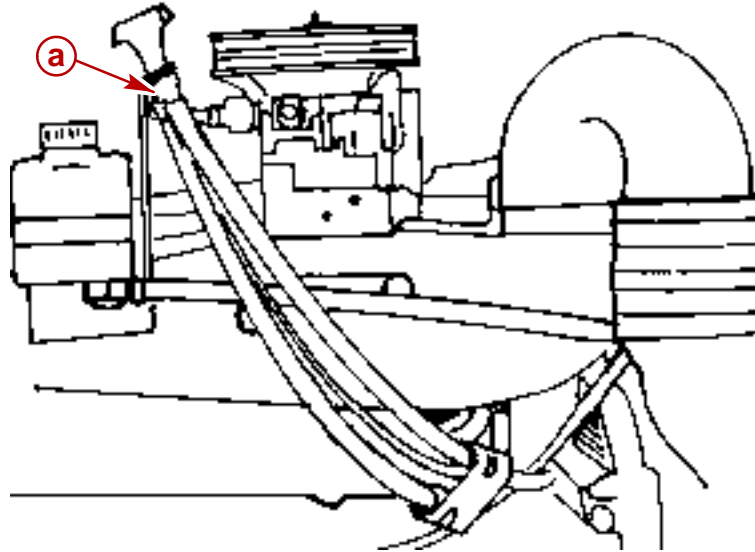


- a** - T-handle Retrieval Tool  
**b** - Hoses

76242

If your engine is equipped with this device, follow this procedure:

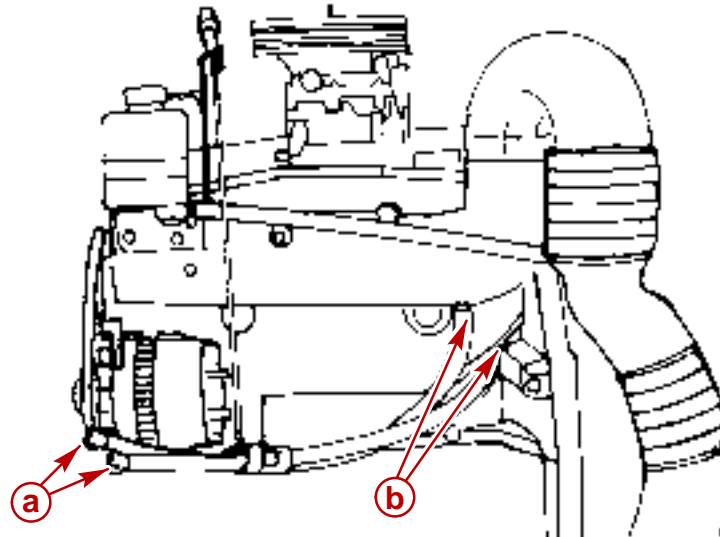
1. Detach the hoses from the top fittings.



76243

**a** - Fittings

2. Lower hoses into bilge. If hoses have developed a "set," T-handle retrieval tool can be used to push hoses below their connection point.



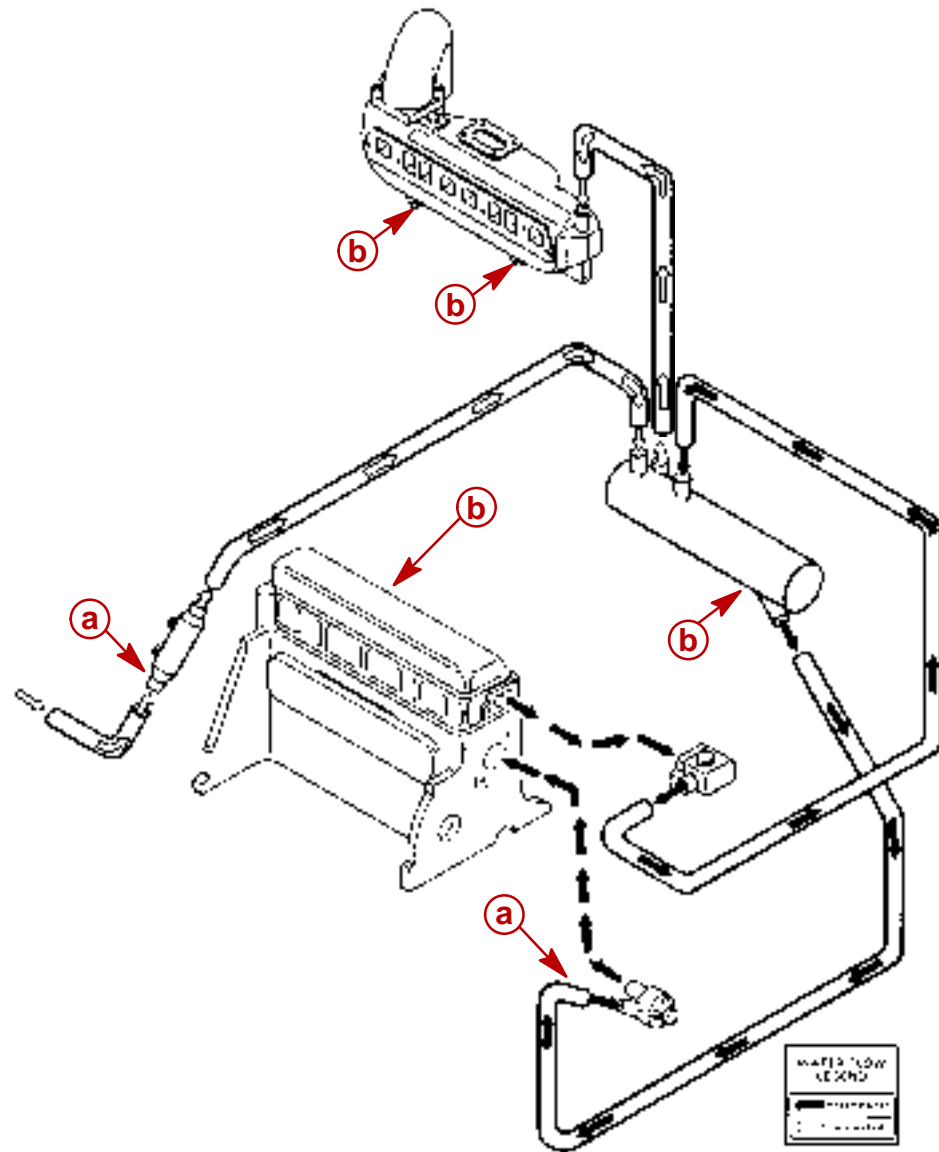
76244

**a** - Hoses  
**b** - Connection Points

**IMPORTANT: Hoses must be lowered below their connection point on the engine in order to drain completely.**

3. If hoses do not drain, use wire to remove blockage.
4. Pull hoses back into original position after draining is complete. Reconnect to fittings.

## Draining Diagram



73665

- a** - Remove and Lower Hoses To Drain
- b** - Remove Drain Plugs Repeatedly Clean Out Holes Using A Stiff Piece Of Wire, Until Entire System Is Drained.

# Cleaning System

## Closed Cooling Section

Closed cooling section of the cooling system should be cleaned at least once every two years or whenever decreased cooling efficiency is experienced.

A good grade automotive cooling system cleaning solution may be used to remove rust, scale or other foreign material. Always follow manufacturer's instructions for the cleaner.

If closed cooling section is extremely dirty, a pressure flushing device may be used to flush out remaining deposits. Flushing should be done in direction opposite normal coolant flow to allow water to get behind deposits and force them out. Refer to instructions which accompany flushing device for proper hookup and flushing procedure.

### NOTICE

**For information and procedures on "Draining And Flushing The Seawater Cooling System," and "Cold Weather Or Extended Storage," refer to SECTION 1B.**

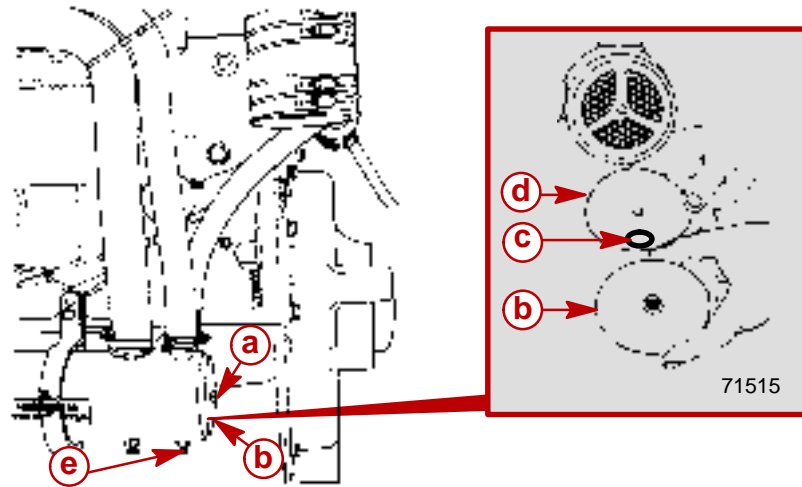
## Seawater Section

Cooling efficiency of an engine with closed cooling is greatly dependent upon heat transfer through the tubes within the heat exchanger. During engine operation, contaminants within the seawater (such as salt, silt, lime, etc.) collect on the inside of the tubes, thus reducing heat transfer and greatly decreasing heat exchanger efficiency. It is, therefore, recommended that the seawater section of the heat exchanger be cleaned at least once every two years or whenever decreased cooling efficiency is suspected, as follows:

**IMPORTANT: It may be necessary to remove heat exchanger on some models. If heat exchanger is removed, be sure to refill closed cooling section with coolant.**

1. Remove seawater drain plug from bottom of heat exchanger and allow water to drain. After water has drained completely, coat threads of drain plug with Quicksilver Perfect Seal and reinstall.

- Remove bolts which secure end plate to each end of heat exchanger, then remove end plates, seal washers and gaskets. Discard seal washers and gaskets. Clean gasket material from end plate and heat exchanger.



73581

- a** - Bolt
- b** - End Cap
- c** - Sealing Washer
- d** - Gasket
- e** - Drain Plug

- Clean water passages in heat exchanger by inserting a suitable size wire brush into each passage. Use compressed air to blow loose particles out of water passages.
- Apply Quicksilver Perfect Seal to both sides of new end plate gaskets, then reinstall end plates, using new gaskets and seal washers. (Be sure to install seal washers between end plates and gaskets.) Torque end plate bolts to specifications.

**⚠ CAUTION**

**Avoid seawater pickup pump impeller damage. DO NOT operate engine without water being supplied to seawater pickup pump.**

- With boat in the water and/or cooling water properly supplied to seawater pickup pump, start engine and inspect for leaks.

## Flushing Seawater Section of Closed Cooling System

If engine is operated in salty, polluted or mineral-laden waters, seawater section of closed cooling system should be flushed periodically (preferably after each use) with fresh water to reduce corrosion and prevent the accumulation of deposits in the system. Seawater section also should be thoroughly flushed prior to storage.

### ⚠ WARNING

When flushing cooling system with boat out of the water, be certain that area in vicinity of propeller is clear and that no person is standing nearby. As a precautionary measure, it is recommended that propeller be removed.

### ⚠ CAUTION

Do not run engine above 1500 rpm when flushing. Suction created by seawater pick-up pump may collapse flushing hose, causing engine to overheat.

### ⚠ CAUTION

If cooling system is to be flushed with boat in the water, seacock (if so equipped) must be closed, or water inlet hose must be disconnected and plugged to prevent water from flowing into boat.

### ⚠ CAUTION

To prevent engine or sterndrive unit damage DO NOT run engine or drive unit without water being supplied to water intake openings on gear housing.

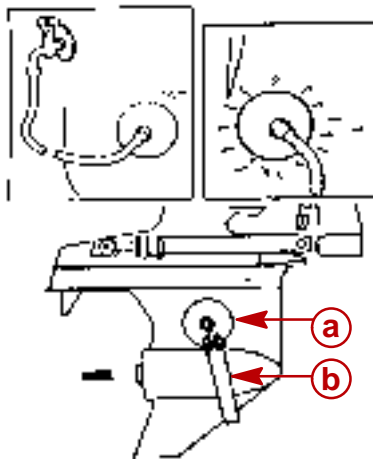
### ⚠ CAUTION

Watch temperature gauge at dash to ensure the engine does not overheat.

1. Connect flushing attachment as follows:

**NOTE:** If flushing cooling system with boat in water, raise drive unit to trailer position, install flushing attachment and lower drive unit to full IN/DOWN position.

- a. Install Quicksilver Flushing Attachment (or equivalent) over water intake openings in gear housing.
- b. Connect hose between flushing attachment and water tap.



- a** - Quicksilver Flushing Attachment  
**b** - Water Hose

72672

**⚠ CAUTION**

**If cooling system is to be flushed with boat in the water, seacock (if so equipped) must be closed, or water inlet hose must be disconnected and plugged to prevent water from flowing into boat.**

- c. Close seacock (if so equipped) or disconnect and plug seawater inlet hose.
2. Partially open water tap (approximately 1/2 maximum capacity) and allow drive unit and cooling system to fill completely. Do not use full tap water pressure.  
*NOTE: Drive unit is full when water is discharged out of drive unit, and/or seawater section of closed cooled system is full when water is discharged through propeller.*
3. Place remote control lever in NEUTRAL position and start the engine. Operate engine at idle speed in NEUTRAL gear for 10 minutes or until discharge water is clear, then stop engine.
4. Shut off tap water. Remove hose and flushing attachment from drive unit. On belt driven seawater pickup pump models, also remove hose and flushing attachment from pump inlet.
5. Follow instructions "a" or "b."

**⚠ CAUTION**

**If boat is in the water or is to remain in the water, seacock (if so equipped) must remain closed until engine is to be restarted, to prevent contaminated water from flowing back into cooling system. If boat is not fitted with a seacock, water inlet hose must be left disconnected and plugged, to prevent contaminated water from flowing into cooling system and/or boat. As a precautionary measure, attach a tag to the ignition switch or steering wheel with the warning that the seacock must be opened or the water inlet hose reconnected prior to starting the engine.**

- a. **If equipped with seacock:** Observing precaution above, open seacock.
- b. **If NOT equipped with seacock:** Observing precaution above, remove plug from seawater inlet hose and reconnect seawater inlet hose. Tighten hose clamps securely.



# Draining Seawater Section of Closed Cooling System

## NOTICE

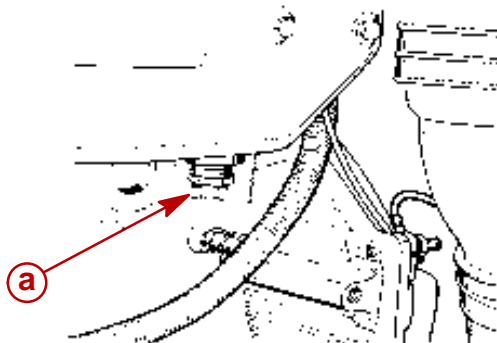
For “Cold Weather Or Extended Storage” information and procedures, refer to SECTION 1B.

**NOTE:** It may be necessary to lift, bend, or lower hoses to allow water to drain completely when hoses are disconnected.

## CAUTION

If boat is in the water or is to remain in the water, seacock (if so equipped) must remain closed until engine is to be restarted, to prevent contaminated water from flowing back into cooling system. If boat is not fitted with a seacock, water inlet hose must be left disconnected and plugged, to prevent contaminated water from flowing into cooling system and/or boat. As a precautionary measure, attach a tag to the ignition switch or steering wheel with the warning that the seacock must be opened or the water inlet hose reconnected prior to starting the engine.

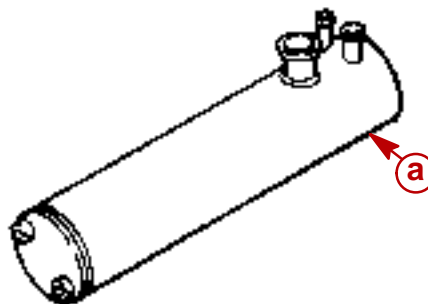
1. Close seacock (if so equipped) or disconnect and plug seawater inlet hose.
2. Check that engine is as level as possible to ensure complete draining of cooling system.
3. Remove drain plugs from exhaust manifold.



**a** - Drain Plug (Port and Starboard)

71424

4. Remove aft (rear) drain plug from heat exchanger.



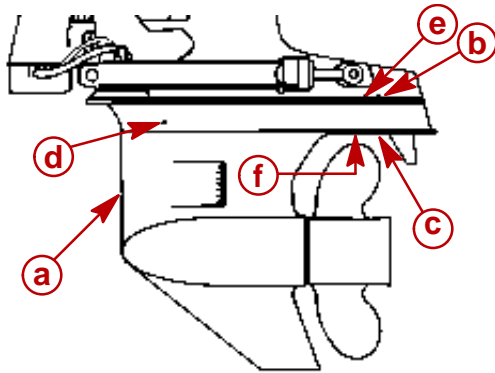
**a** - Drain Plug

71423

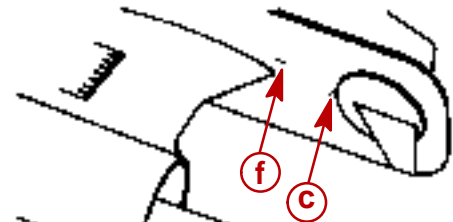
5. Repeatedly clean out drain holes using a stiff piece of wire. Do this until entire system is drained.

**NOTE:** It may be necessary to lift, bend, or lower hoses to allow water to drain completely when hoses are disconnected.

6. After seawater section of cooling system has been drained completely, coat threads of drain plugs with Quicksilver Perfect Seal and reinstall. Tighten drain plugs securely. Reconnect hoses and tighten all hose clamps securely. **If NOT equipped with seacock:** seawater inlet hose must remain disconnected and plugged until engine is to be restarted.
7. Insert a small wire (repeatedly) to make sure that vent holes and water drain holes and passages (as shown) are unobstructed and open.



71216



70134

- a** - Speedometer Pitot Tube
- b** - Trim Tab Cavity Vent Hole
- c** - Trim Tab Cavity Drain Passage
- d** - Gear Housing Water Drain Hole (One Each - Port and Starboard)
- e** - Gear Housing Cavity Vent Hole
- f** - Gear Housing Cavity Drain Hole

8. Crank engine over SLIGHTLY with starter motor to purge any water trapped in seawater pickup pump. DO NOT ALLOW ENGINE TO START.

## Recommissioning

### NOTICE

Refer to "Cold Weather or Extended Storage Precautions," in this section BEFORE proceeding.

### ⚠ WARNING

To prevent possible injury or damage to equipment, do not install battery until all maintenance has been performed on engine.

1. Check that all cooling system hoses are connected properly and hose clamps are tight. Check that all drain plugs are installed and tightened securely.
2. Inspect drive belts.

### ⚠ CAUTION

When installing battery, be sure to connect **NEGATIVE (-)** battery cable to **NEGATIVE (-)** battery terminal and **POSITIVE (+)** battery cable to **POSITIVE (+)** battery terminal. If battery cables are reversed, electrical system damage will result.

3. Install fully-charged battery. Clean battery cable clamps and terminals and reconnect cables (see CAUTION listed above). Tighten each cable clamp securely when connecting.
4. Coat terminal connections with a battery terminal anti-corrosion agent.

5. Perform all maintenance tasks listed in the MAINTENANCE SCHEDULES, except those performed during the power package lay up procedure.
6. Perform all checks in the BEFORE STARTING column of the Operation and Maintenance Manual OPERATION CHART.

### **⚠ CAUTION**

**Refer to FLUSHING COOLING SYSTEM before starting engine.**

7. Supply water to the seawater pickup pump as outlined in "Flushing Cooling System."
8. Start engine and closely observe instrumentation to make sure that all systems are functioning correctly.
9. Carefully inspect engine for fuel, oil, fluid, water and exhaust leaks.
10. Check steering system and shift and throttle controls for proper operation.
11. For drive unit, refer to appropriate sterndrive manual.

## Filling Closed Cooling Section

### NOTICE

See "Specifications" for approximate closed cooling system capacity and coolant recommendations

### **⚠ WARNING**

**Do not remove coolant cap when engine is hot. Coolant may discharge violently.**

### **⚠ CAUTION**

**Alcohol or Methanol based antifreeze or plain water are not recommended for use in fresh water section of cooling system at any time.**

### **⚠ CAUTION**

**Front of engine should be higher than rear to purge trapped air out of the system during initial filling. This will minimize the possibility of air being trapped in the closed cooling section which can cause engine to overheat.**

1. Remove coolant cap on heat exchanger.
2. Fill closed cooling system with coolant mixture through heat exchanger fill neck until coolant level is 1 in. (25 mm) below filler neck.

### **⚠ CAUTION**

**Avoid seawater pickup pump impeller damage and subsequent overheating damage to sterndrive unit. DO NOT operate engine without water being supplied to seawater pickup pump.**

### **⚠ CAUTION**

**Models with belt drive seawater pickup pump must be in the water when running engine because garden hose will not supply enough water to system at higher rpm.**

3. With pressure cap off, start engine and run at fast idle (1500-1800 rpm). Add coolant solution to heat exchanger, as required, to maintain coolant level 1 in. (25 mm) below filler neck.

4. After engine has reached normal operating temperature (thermostat is fully open), and coolant level remains constant, fill heat exchanger to bottom of filler neck.
5. Observe engine temperature gauge to make sure that engine operating temperature is normal. If gauge indicates excessive temperature, stop engine immediately and examine for cause.
6. Install pressure cap on heat exchanger.
7. Remove cap from coolant recovery reservoir and fill to FULL mark with coolant solution. Reinstall cap.
8. With engine still running, check hose connection, fittings and gaskets for leaks.

**IMPORTANT: Engine overheating is often due to air being trapped in closed cooling section. Purge air by running engine at 2000 rpm for 10 minutes.**

**⚠ WARNING**

**Allow engine to cool before removing pressure cap. Sudden loss of pressure could cause hot coolant to boil and discharge violently. After engine has cooled, turn cap 1/4 turn to allow any pressure to escape slowly, then push down and turn cap all the way off.**

9. Recheck coolant level after first open-throttle boat test and add coolant, if necessary.
10. Maintain coolant level in coolant recovery reservoir between ADD and FULL marks with engine at normal operating temperature.

# EXHAUST SYSTEM

## Section 7A - Manifold

### Table of Contents

Torque Specifications .....	7A-2	Installation .....	7A-4
Lubricants/Sealants/Adhesives .....	7A-2	Upper Exhaust Pipe and Shutter Replacement .....	7A-5
Exhaust System .....	7A-2	Lower Exhaust Pipe Replacement .....	7A-6
Through Drive Unit Exhaust .....	7A-2	Emissions Testing .....	7A-7
Removal .....	7A-3	Installing Test Probes .....	7A-7
Cleaning and Inspection .....	7A-3		

## Torque Specifications

Fastener Location	lb-ft	Nm
Hose Clamps	Securely	
Exhaust Elbow	20-25	27-34
Exhaust Pipe to Gimbal Housing	20-25	27-34

## Lubricants/Sealants/Adhesives

Description	Part Number
Quicksilver Loctite 27131	92-809820
Quicksilver Perfect Seal	92-34227--1

## Exhaust System

### Through Drive Unit Exhaust

#### ⚠ CAUTION

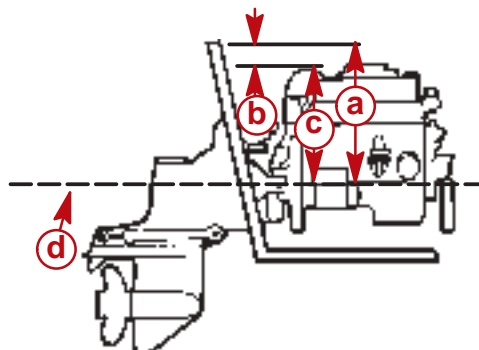
It is the responsibility of the boat manufacturer or installing dealer to properly locate the engine and install the exhaust system. Improper installation may allow water to enter the exhaust manifolds and combustion chambers and severely damage the engine. Damage caused by water in the engine will not be covered by MerCruiser Warranty, unless this damage is the result of defective part(s).

## MEASURING FOR RISERS

### Gasoline Engines

Determine if exhaust elbow risers are required by taking measurements (a) and (b) with boat at rest in the water and maximum load aboard. Subtract (b) from (a) to find (c). If (c) is less than specified in chart, select appropriate size exhaust elbow riser kit and exhaust extension kit that will correctly position exhaust elbow.

Model	(c) = (a) Minus (b)
3.0L	(c) <b>Must Be</b> 11 in. (279 mm) <b>or More</b>



22471

MCM 3.0L Engine

## Removal

1. Disconnect battery cables from battery.
2. Drain water from cylinder block, exhaust manifold and exhaust elbow.
3. Disconnect throttle cable at carburetor.
4. Disconnect exhaust hose and cooling hoses.
5. Disconnect fuel line at carburetor.

### WARNING

**Gasoline is extremely flammable and highly explosive under certain conditions. Be sure electrical source to engine is disconnected. Do not smoke or allow sources of spark or open flame in area when installing new pump. Wipe up any spilled fuel immediately.**

6. Disconnect crankcase ventilation hose at rocker arm cover.
7. Disconnect wires connected to electric choke.
8. Remove exhaust manifold fasteners; remove manifold assembly and discard gaskets.
9. Remove exhaust elbow.

## Cleaning and Inspection

1. Clean gasket material from all surfaces and wash parts in solvent.
2. Inspect all parts carefully. Machined surfaces must be clean and free of all marks and deep scratches, or water and exhaust leaks may result.
3. Check water passages for foreign material. Passages must be clean for efficient cooling.
4. If more thorough inspection is desired, pipe plugs may be removed from exhaust manifold and exhaust elbow.

**IMPORTANT: If plugs are removed, coat threads with Perfect Seal before reinstalling.**

**IMPORTANT: If manifold to cylinder head studs have broken, install all new studs with Loctite 27131 AFTER checking head and manifold surfaces for warp. Also use all new manifold attaching nuts.**

5. Check for cracks.
6. To test manifold body for leaks, block off plates, plugs or short hoses with plugged ends must be used. One block off plate must have a threaded hole for attaching compressed air hose. Use new gaskets when installing block off plate(s). Apply 40 psi (276 kPa) of air pressure and submerge manifold in water. Air bubbles will indicate a leak.

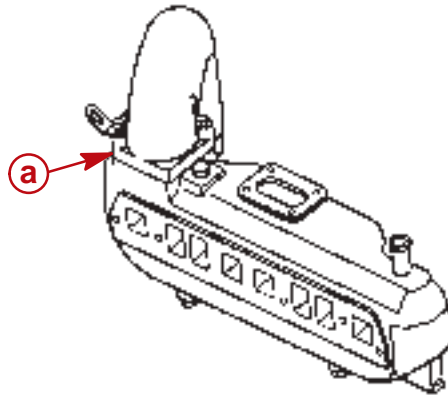
# Installation

If exhaust manifold body requires replacement, transfer all parts (from old manifold) to new manifold body.

1. Position new gasket on head and install manifold in position, making sure gasket is in place.
2. Tighten fasteners evenly and torque to 23 lb-ft (33 Nm), starting in center and working out toward ends.

**IMPORTANT: After engine has been brought up to operating temperature, allow engine to cool. Retorque manifold fasteners.**

3. Install carburetor (if removed) and connect crankcase ventilation hose at rocker arm cover.
4. Install exhaust elbow using new gasket. Torque to 25 lb-ft (34 Nm).
5. Install gasket as shown:



50677

**a** - Gasket (not shown)

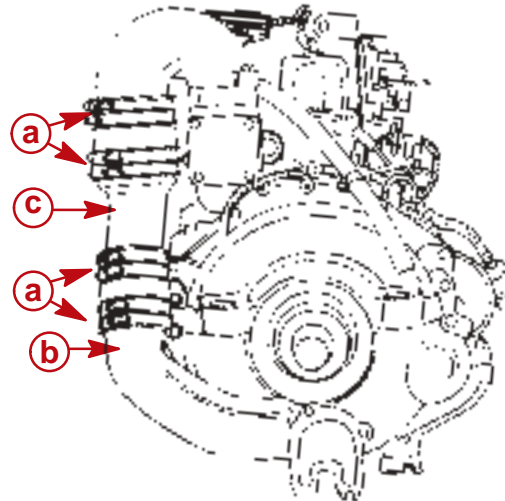
6. Connect throttle cable to carburetor. Adjust as outlined in "Removal, Installation and Alignment."
7. Connect fuel line and electric choke wires.
8. Reinstall exhaust and cooling hoses.
9. Reconnect battery cables to battery. Tighten securely.
10. Start engine, check for exhaust, water and fuel leaks and adjust carburetor idle speed and mixture.



# Upper Exhaust Pipe and Shutter Replacement

**IMPORTANT:** Engine does not have to be removed, however, exhaust elbow may have to be removed.

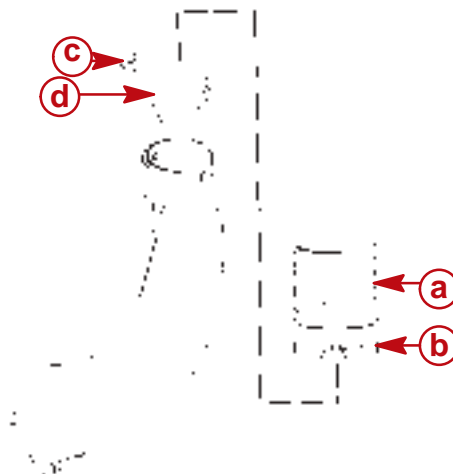
1. Loosen exhaust bellows clamps.
2. Remove hose clamps.
3. Remove intermediate exhaust pipe.
4. Remove exhaust tube.



75819

- a** - Clamps
- b** - Lower Exhaust Tube
- c** - Intermediate Exhaust Pipe

5. Replace shutter (in lower pipe), as shown.
  - a. Coat both matching surfaces of hose and lower pipe with Bellows Adhesive. Allow to dry and then slide hose on lower pipe. Tighten clamps securely.
  - b. Place clamps over bellows and connector hose, then install upper exhaust pipe.
  - c. Making sure all clamps are contacting exhaust elbow, upper pipe and lower pipe, tighten clamps securely.

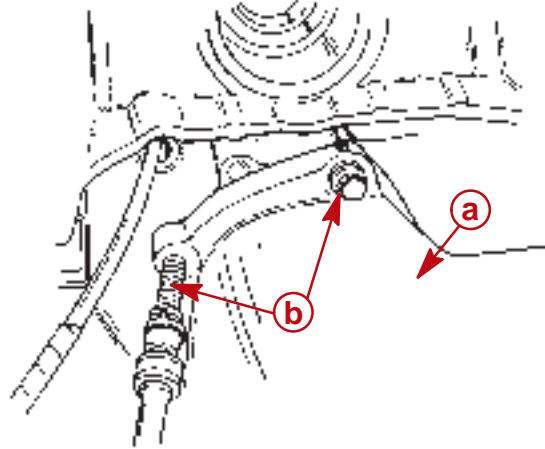


74552

- a** - Connector Hose - Remove to Change Shutter
- b** - Clamps (2)
- c** - Grommet (2)
- d** - Shutter - Opens Downward

## Lower Exhaust Pipe Replacement

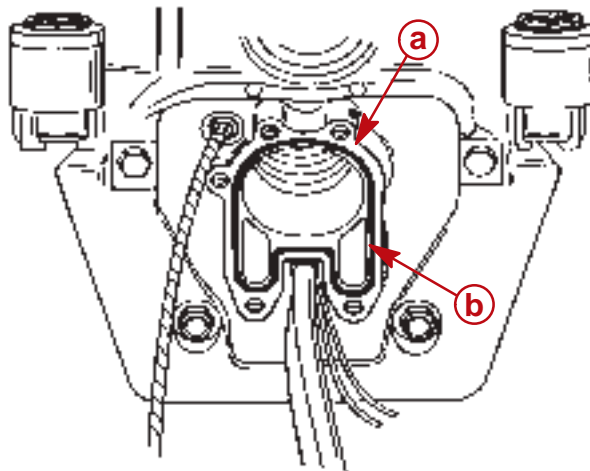
1. Remove sterndrive unit.
2. Remove engine, then upper exhaust pipe.
3. Remove screws and lockwashers that secure lower exhaust pipe to gimbal housing.



50634

- a** - Exhaust Pipe
- b** - Screws (4) - 2 Under Exhaust Pipe

4. Remove exhaust pipe and O-ring.
5. Clean mating surfaces on pipe and gimbal housing.
6. Place O-ring in groove of gimbal housing.



72736

- a** - Mating Surfaces
- b** - O-ring

7. Reinstall lower exhaust pipe with screws and lock-washers, torque to specifications. Be certain that O-ring remains seated in groove, properly sealing joint to prevent leakage.
8. Reinstall upper exhaust pipe, then engine.
9. Reinstall sterndrive unit.

# Emissions Testing

## Installing Test Probes

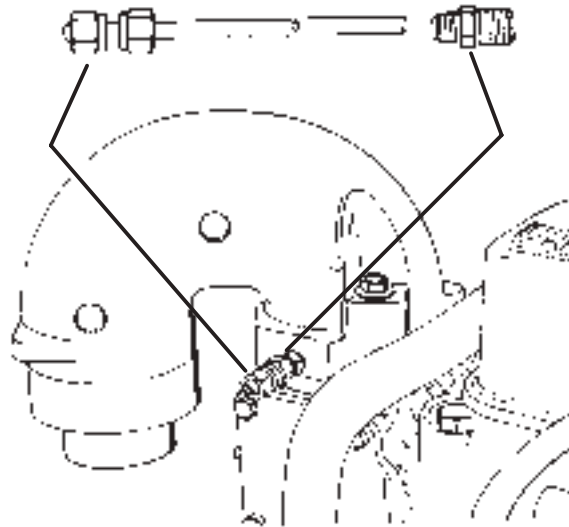
**IMPORTANT:** The testing dealer or agency will be equipped with the appropriate test equipment and adapters for this engine. The test probes should be installed as follows:

1. Remove plug from exhaust elbow.



74645

2. Install exhaust elbow adapter fitting into elbow. Apply Loctite Pipe Sealant with Teflon to threads that go into elbow. Tighten it securely.
3. Insert exhaust probe into fitting and tighten securely.



71926

74644

The testing agency will connect their adapter and test equipment to the probe to conduct the test. Once the test is complete, remove the test probe and fitting. Apply Quicksilver Perfect Seal to the threads of plug and reinstall into elbow.

**THIS PAGE IS INTENTIONALLY BLANK**

# POWER STEERING

## Section 8A - Power Steering Pump

### Table of Contents

Torque Specifications .....	8A-2	Filling and Air Bleeding Power Steering System .....	8A-4
Tools .....	8A-2	Pump Drive Belt Tension Adjustment .....	8A-5
Special Tools .....	8A-2	Pump Pulley Replacement .....	8A-6
Lubricants/Sealants/Adhesives .....	8A-2	Power Steering Pump And Cooler .....	8A-7
Precautions .....	8A-2	Replacement .....	8A-7
Checking Power Steering Pump Fluid Level .....	8A-3	Low Pressure Hose (Control Valve-to-Cooler) .....	8A-12
With Cold Engine .....	8A-3	System Flow Diagram .....	8A-14
With Warm Engine .....	8A-4		

## Torque Specifications

Fastener Location	lb-ft	lb-in.	Nm
Pump Mounting Bracket to Engine	30		41
Circulating Pump Pulley		240	27

## Tools

Description	Part Number
Pulley Installer	91-93656A1

## Special Tools

Kent-Moore Special Tools	
Description	Part Number
Kent-Moore Tools, Inc. 29784 Little Mack Roseville, MI 48066 Phone: (313) 574-2332	
Pulley Removal Tool	J-25034

## Lubricants/Sealants/Adhesives

Description	Part Number
Quicksilver Perfect Seal	92-34227--1
Dexron II (ATF)	Obtain Locally

## Precautions

### CAUTION

Do not operate engine without cooling water being supplied to water pickup pump or water pump impeller will be damaged and subsequent overheating damage to engine may result.

### WARNING

Always disconnect battery cables from battery before working on engine to prevent fire or explosion.

### CAUTION

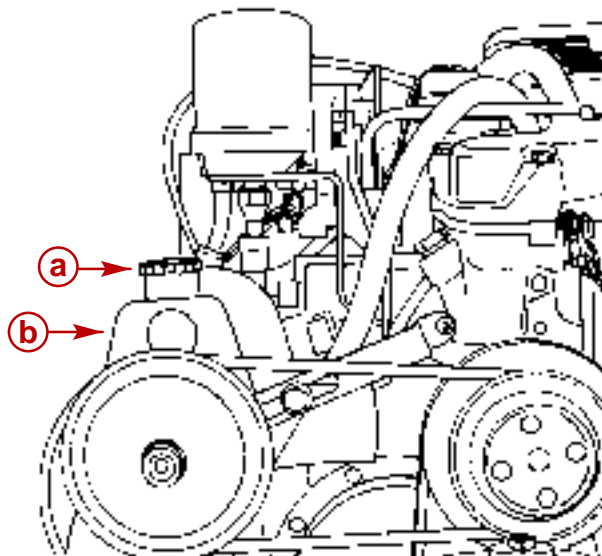
Do not pry on power steering pump or alternator when adjusting belt tension. Serious damage may result.

## Checking Power Steering Pump Fluid Level

**IMPORTANT:** Use only Quicksilver Power Trim and Steering Fluid, or automatic transmission fluid (ATF), Dexron II, in power steering system.

### With Cold Engine

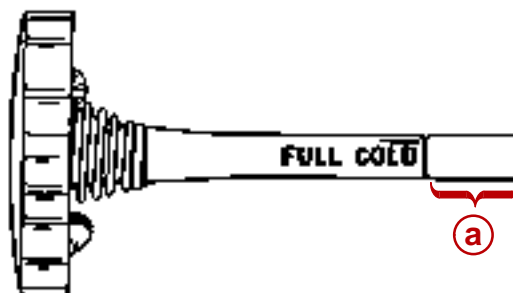
1. Stop engine and position drive unit so that it is straight back.
2. Remove fill cap/dipstick from power steering pump and note fluid level.



75809

- a** - Fill Cap
- b** - Power Steering Pump

3. Level should be between "FULL COLD" mark and bottom of dipstick.



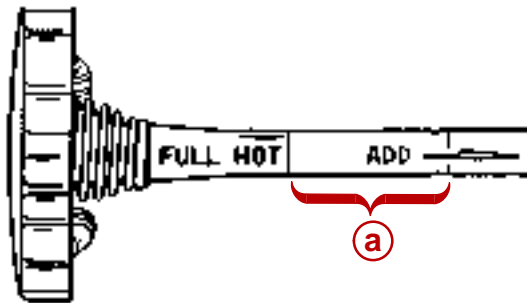
72519

- a** - Proper Fluid Level With Engine Cold

4. If fluid level is low but still visible in pump reservoir, add fluid through fill cap opening to bring level up to "COLD" mark on dipstick. Do not overfill.

## With Warm Engine

1. Stop engine and position drive unit so that it is straight back.
2. Remove fill cap/dipstick from power steering pump and note fluid level.
3. Level should be between the "FULL HOT" mark and "ADD" mark on the dipstick.



72518

**a** - Proper Fluid Level With Engine Warm

4. If level is low (below "ADD" mark), but still visible in pump reservoir, add fluid through fill cap opening to bring level up to "FULL HOT" mark on dipstick. Do not overfill.

## Filling and Air Bleeding Power Steering System

**IMPORTANT:** Power steering system must be filled exactly as explained, following, to be sure that all air is bled from the system. All air must be removed, or fluid in pump may foam during operation and be discharged from pump reservoir. Foamy fluid may also cause power steering system to become spongy resulting in poor boat control.

1. Position drive unit so that it is straight back. Remove cap from power steering pump and check fluid level with dipstick attached to fill cap (provided). Add fluid as required, to bring level up to correct level.

**IMPORTANT:** Use only Quicksilver Power Trim and Steering Fluid, or automatic transmission fluid (ATF), Dexron II, in power steering system.

2. Turn steering wheel back-and-forth to end of travel in each direction several times: then, recheck fluid level and add fluid, if necessary.
3. Install vented fill cap.

### **CAUTION**

**DO NOT** operate engine without water being supplied to seawater pump pickup or pump impeller may be damaged and subsequent overheating damage to engine may result.

4. Start engine and run at fast idle (1000-1500 rpm) until engine reaches normal operating temperature. During this time, turn steering wheel back-and-forth to end of travel in each direction several times.
5. Position drive unit so that it is straight back and stop engine. Remove fill cap from pump. Allow any foam in pump reservoir to disperse; then, check fluid level and fluid as required, to bring level up to "FULL HOT" mark on dipstick. Do not overfill. Install fill cap securely.

**IMPORTANT:** Drive unit must be positioned straight back and power steering fluid must be hot to accurately check fluid level.

6. If fluid is still foamy (in Step 5), repeat Steps 4 and 5 until fluid does not foam and level remains constant.



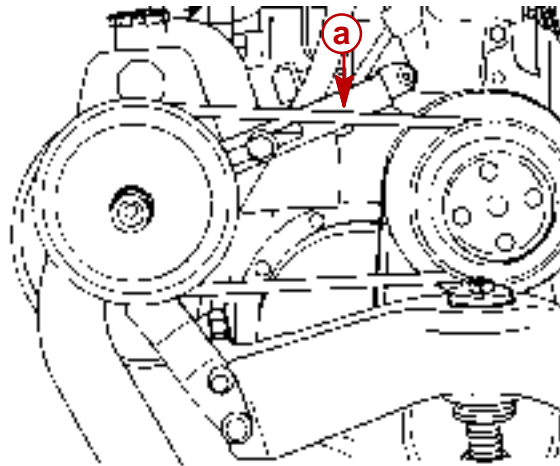
# Pump Drive Belt Tension Adjustment

**NOTICE**

Refer to "Precautions" in this section, BEFORE proceeding.

**IMPORTANT: DO NOT pry in pump body.**

1. Install drive belt on pulleys and adjust tension as follows:
  - a. Pivot pump attain tension.
  - b. Tighten retaining bolts.
2. Check belt tension using either of two methods, following and readjust pump, if necessary, to obtain proper belt tension.
  - a. Using a strand tension gauge, take gauge reading at midpoint of power steering pump belt. Gauge should read 75-95 lbs. (334-423 Nm).
  - b. Check belt tension by pushing down on upper strand of belt at belt midpoint. Belt should depress 1/4 in. (6 mm).



**a** - Measure Belt Deflection Here

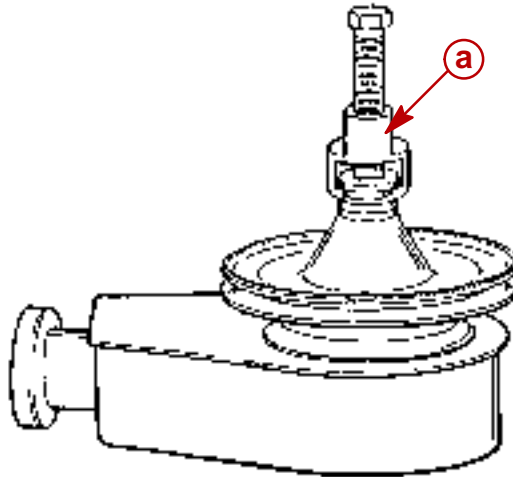
75809

## Pump Pulley Replacement

### REMOVAL

**IMPORTANT:** Kent-Moore Tool J-25034 must be used to remove the pressed-on pulleys used on power steering pumps. This tool has an end on it that will not mushroom the end of the pump shaft. **DO NOT** use Kent-Moore Tool J-21239 to remove these pulleys. This tool has a tapered end and will damage the shaft.

1. Install Kent-Moore Tool J-25034 on end of pulley and shaft as shown.
2. While holding tool with suitable wrench, turn threaded screw until pulley is removed.



72821

**a** - Kent-Moore Pulley Removal Tool (J-25034)

### INSTALLATION

Install pulley, as follows, using pulley installer tool (91-93656A1), and a long straight edge:

1. Place pulley on pump shaft.
2. Thread stud all the way into pump shaft. Place bearing over stud. Do not use spacer from kit.
3. Thread nut onto shaft. Thread tool shaft (and nut) all the way onto stud (threaded into pump pulley).
4. Using a long straight edge (to check drive belt alignment), turn large pusher nut until drive belt is parallel to straight edge.

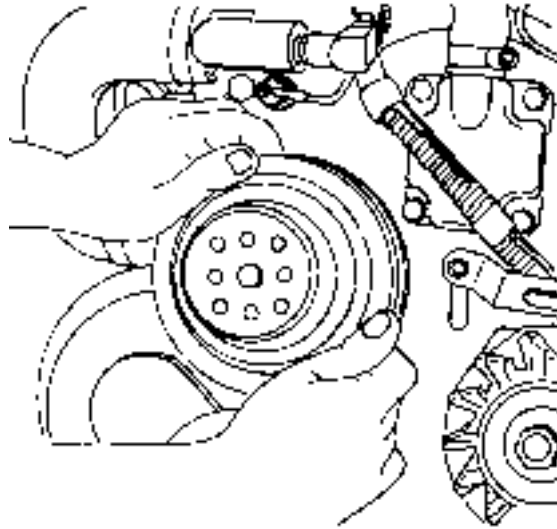
# Power Steering Pump And Cooler

## Replacement

**NOTICE**

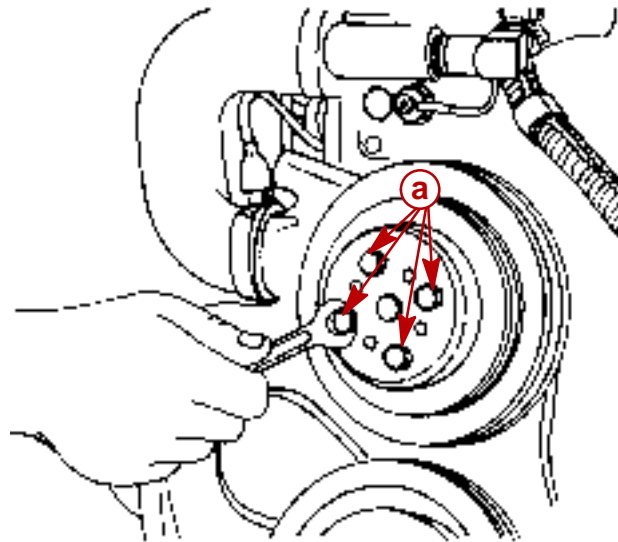
Refer to "Precautions" in this section BEFORE proceeding.

1. Install pulley.



74562

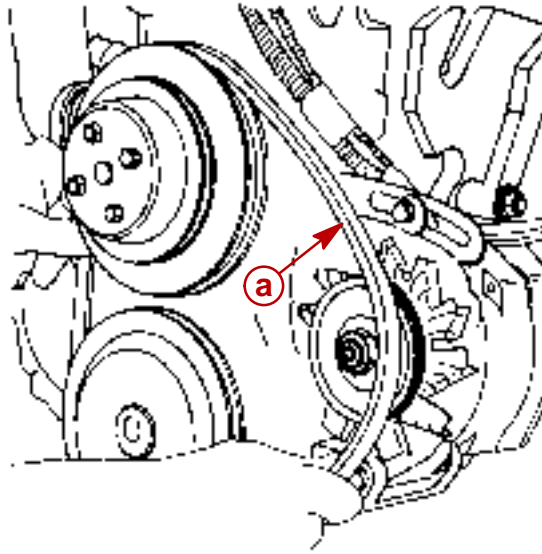
2. Install bolts and torque to 20 lb-ft (27 Nm).



74563

**a** - Bolts and Lockwashers

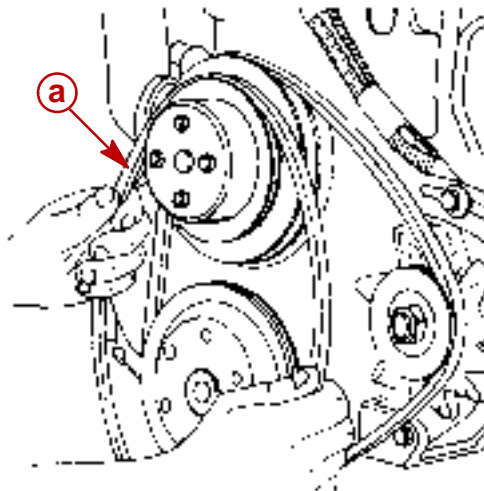
3. Install 40 inch (1016 mm) drive belt.



74564

**a** - 40 inch (1016 mm) Drive Belt

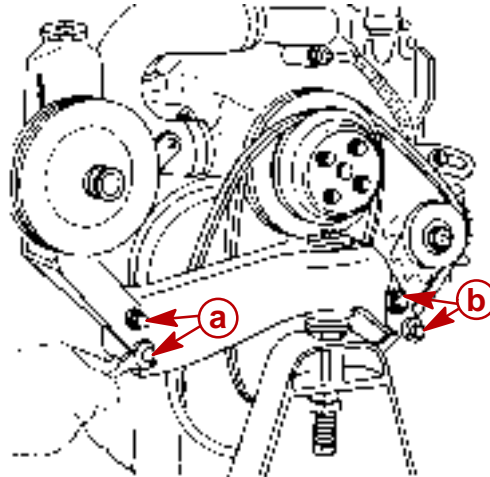
4. Install 37 inch (940 mm) drive belt over circulating pump pulley.



74565

**a** - 37 inch (940 mm) Drive Belt

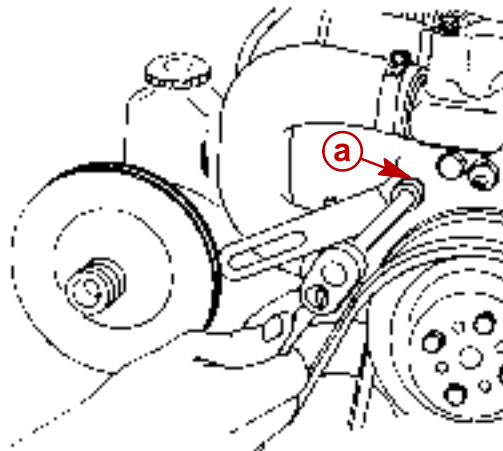
5. Install front mount assembly with power steering pump assembly. Tighten bolts securely.



74558

- a** - 2-3/4 inch (70 mm) Bolts, Washers and Lockwashers  
**b** - Bolts, Washers and Lockwashers

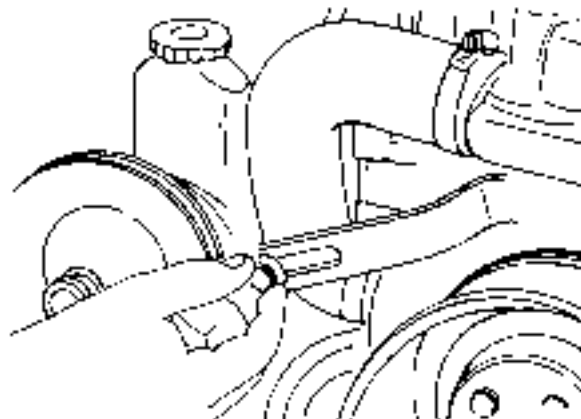
6. Attach power steering pump bracket to engine. Torque bolt to 30 lb-ft (41 Nm).



74559

- a** - 1-1/4 inch (32 mm) Long Bolt Without Closed Cooling. 1-1/2 inch (38 mm) Long Bolt With Closed Cooling.

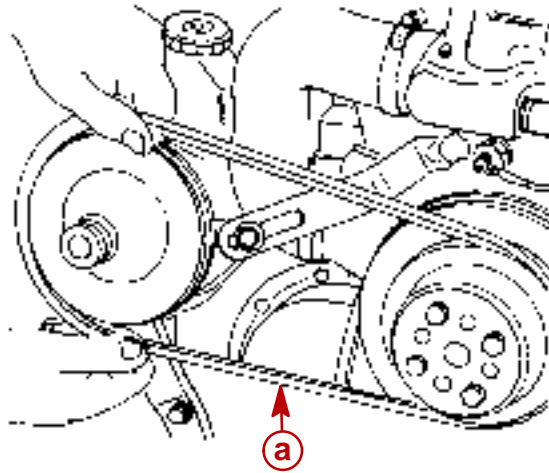
7. Attach power steering pump brace to pump.



74560

- a** - 7/8 inch (22 mm) Long Bolt and Washer

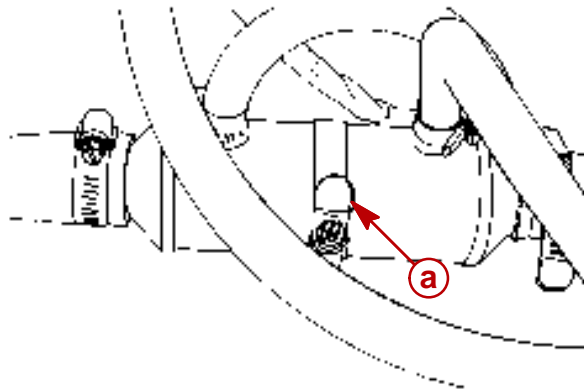
8. Install 37 inch (940 mm) drive belt over pump pulley.



74561

**a** - 37 inch (940 mm) Drive Belt

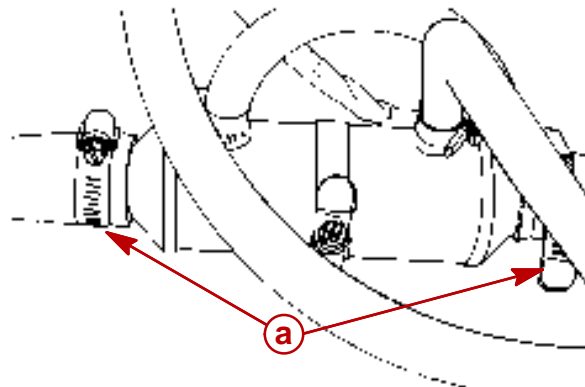
9. Adjust drive belt tension.  
 10. Route hydraulic hoses as shown.  
 11. Install fluid cooler and tighten hose clamp-screw securely.



75812

**a** - Clamp

12. Install long water hose and tighten hose clamps securely.  
 13. Install water hoses to power steering fluid cooler and tighten clamps securely.

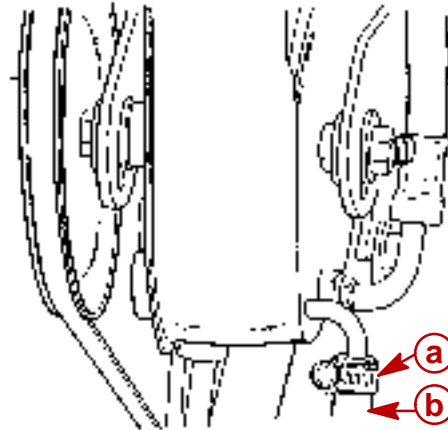


75812

**a** - Clamps

**INSTALLATION**

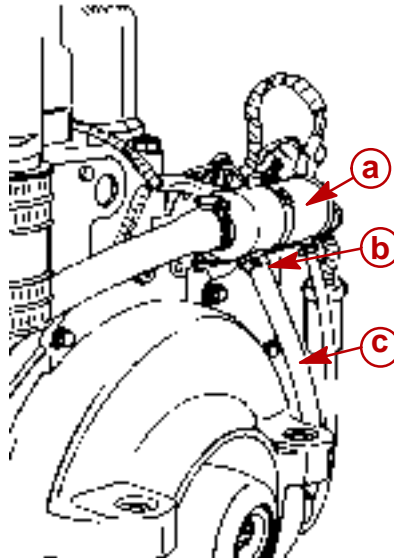
1. Using hose clamp, install new hose on back of pump. Tighten clamp securely.



72848

- a** - Hose Clamp
- b** - Hose

2. Using hose clamp, install hose on fluid cooler. Tighten clamp securely.



73579

- a** - Fluid Cooler
- b** - Hose Clamp
- c** - Hose

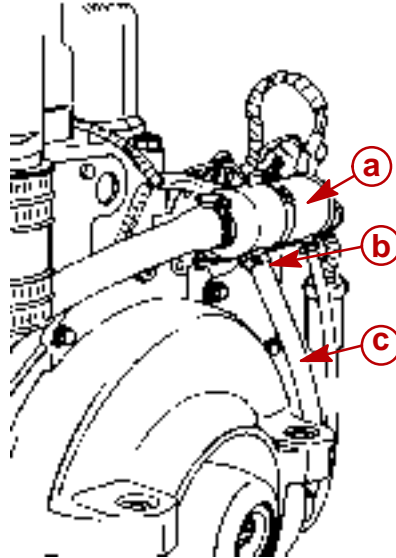
3. Fill and air bleed system. Refer to Section 1B "Maintenance" (see "Table of Contents").

## Low Pressure Hose (Control Valve-to-Cooler)

### REMOVAL

**NOTE:** Catch fluid that drains from hose, cooler and pump in a suitable container.

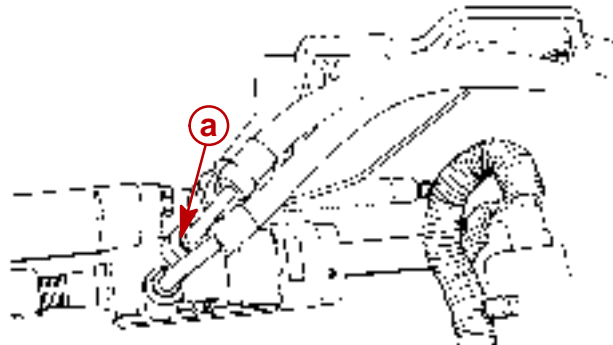
1. Loosen hose clamp and remove hose from fluid cooler.



73579

- a** - Fluid Cooler
- b** - Hose Clamp
- c** - Hose

2. Remove large fitting from control valve at transom. Remove hose.



73786

- a** - Fitting



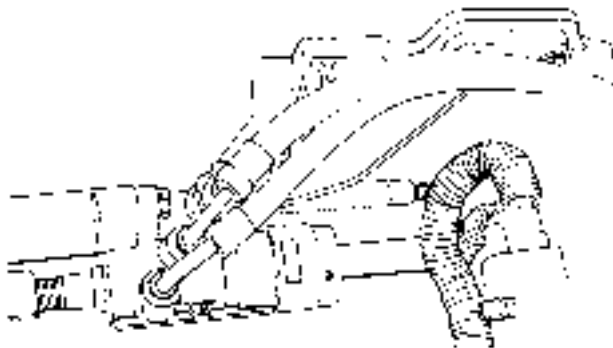
## INSTALLATION

**⚠ CAUTION**

Route hoses exactly as shown below. This will help avoid stress on the hose fittings and will help avoid kinks in the hoses.

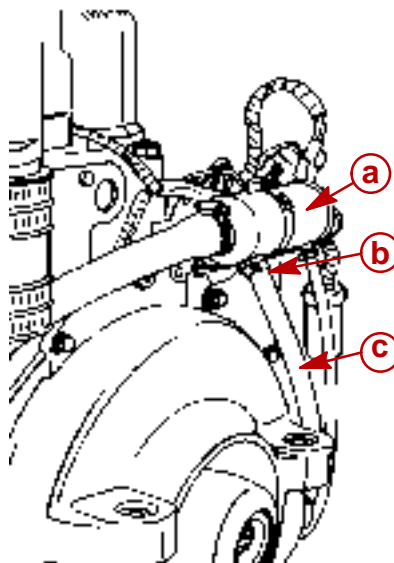
**IMPORTANT:** Be careful to not cross-thread or overtighten hose fittings.

1. Thread large fitting into control valve. Position hose properly (as prior to removal).
2. Torque fittings to 23 lb-ft (31 Nm).



73786

3. Route hose along flywheel housing and secure with J-clamp(s) provided.
4. Using hose clamp, install hose on fluid cooler. Tighten clamp securely.

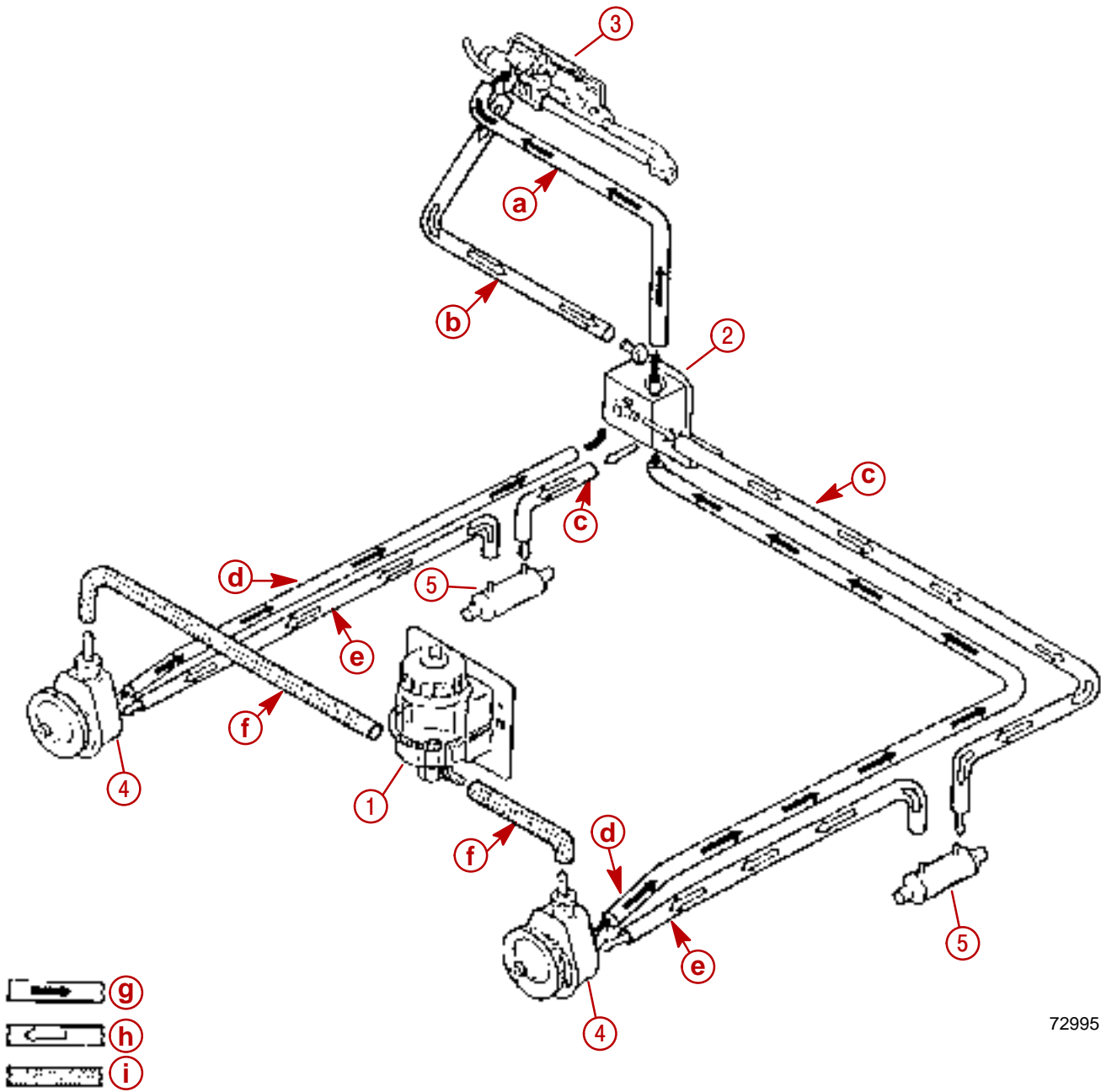


73579

- a** - Fluid Cooler
- b** - Hose Clamp
- c** - Hose

5. Fill and air bleed system. Refer to SECTION 1B "Maintenance" (see "Table of Contents").

# System Flow Diagram



72995

- 1** - Reservoir Bottle and Bracket
- 2** - Priority Valve and Mounting Bracket
- 3** - Power Steering Control Valve
- 4** - Power Steering Pump
- 5** - Power Steering Fluid Cooler
- a** - Pressure Hose (Fitting on Both Ends - Supplied in Kit)
- b** - Return Hose (Fitting on One End - Supplied in Kit)
- c** - Return Hose from Pump (Cut from Bulk Hose Supplied)
- d** - Pressure Hose from Pump
- e** - Return Hose from Pump
- f** - Gravity Feed Hose (Cut from Bulk Hose Supplied)
- g** - Pressure Line
- h** - Return Line
- i** - Gravity Feed Line

**THIS PAGE IS INTENTIONALLY BLANK**

**THIS PAGE IS INTENTIONALLY BLANK**