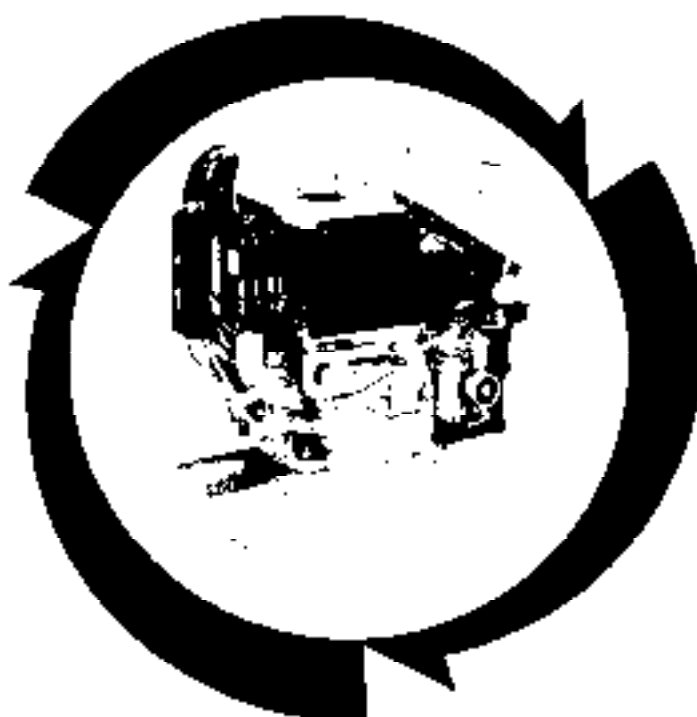


# ILLUSTRATED PARTS LIST

# KUBOTA

## MODEL EA300-E2-NB1

# DIESEL ENGINE



**Kubota**

97998-88920  
MAR. 2005

## NOTICE

This Parts List is for the following purposes:

1. When ordering parts, check with this Parts List to confirm the part number and the name of parts.
2. When making repairs, refer to the Illustrations in this Parts List.
3. This Parts List is subject to change without notice.

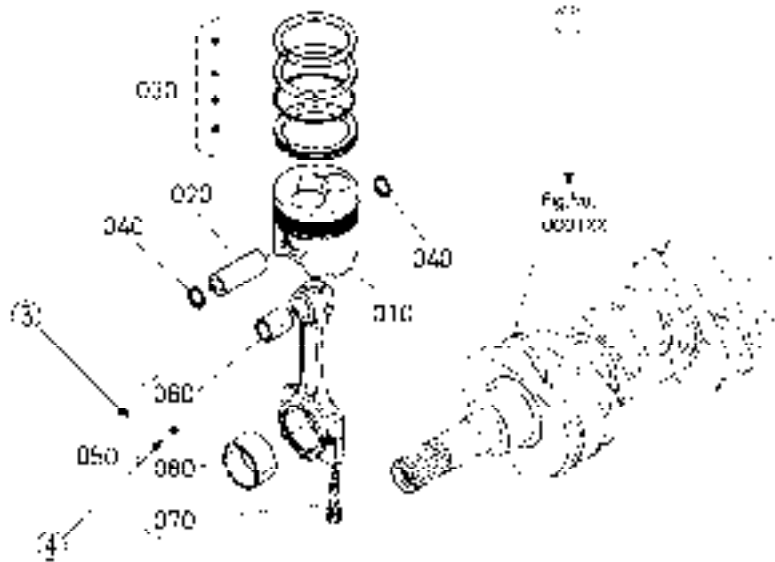
MODEL	CODL No.
EA300-E2-NB1	*G101-00000

# INSTRUCTIONS

## 0102 PISTON AND CRANKSHAFT

(B)

S.No. ; A: 15000, B: 14000 to 15000



P. No.	PART No.	PART NAME	QTY. (S.No.)		I.C.	REMARKS
			A	B		
010	15800-2000-0	PISTON	1	1	15000	(Example-1)
011	15800-2000-2	PIN, PISTON	1	1		
020	15800-1500-0	PIN, PISTON	1	1		
020	15800-1500-0	PIN, PISTON	1	1	14000	(Example-2)
030	15800-2000-0	ASSY PISTON RING	1	1	15000	..
030	15800-2000-0	ASSY PISTON RING	1	1		

- 1 Fig. No. . . . . Represents No. corresponding to each group name.
- 2 Specifications . . . . The types and destinations of sister models are indicated. These indications are given to let their relevant pages in this book. (for sister models)
- 3 Components . . . . The components of an assembly are identified by a bracket of dotted lines.
- 4 Point: . . . . . Indicates that the parts is not sold independently  
The assembly (Ref.No.050) containing the part needs to be ordered
- 5 REF. No. . . . . Reference numbers are assigned to parts in the illustration. The page number of a part in the illustration can be identified by referring to the same reference number in the parts list
- 6 Model name . . . . The name of the basic model is indicated in this column. Other applicable models are indicated on the 'REMARKS' column.
- 7 S. No. . . . . indicates a group of serial numbers to which a design change is applied (serial No.)

Engine Serial No. . . . . Old Serial No.

554321 . . . 5 digits al. in numerals

New Serial No.

Y A 4321

↑ ↑ ↑ — Lower 4 digits in numerals

: — 5th digit . . . Alphabetical letter (Month of manufacture).

Alphabetical letter: A, B, C, D, E, F, G, H, J, K, L, M, N, P, Q, R, S, T, U, V, W, X, Y, Z

Month 1 2 3 4 5 6 7 8 9 10 11 12

— — 6th digit . . . Alphabetical letter or numerals (Year of manufacture)

Alphabetical letter or numerals W, X, Y, 1, 2, 3, 4, 5, 6, 7, 8, 9, A, B, C

Year 98, 99, 2000, '01, '02, '03, '04, '05, '06, '07, '08, '09, '10, '11, '12

- 8 I. C. . . . . Indicates the interchangeability of parts due to design change (interchangeability)
  - Example-1 . . . . . ← indicates that a new part can replace an old part, but not vice versa.  
15800-0000-0 is applicable to the first serial number to S. No. 15000.  
15800-0000-2 is applicable to the first serial number and above.
  - Example-2 . . . . . ↗ indicates that the new and old parts are not interchangeable.  
15800-1000-0 is applicable to the first serial number to S. No. 15000.  
15800-1000-2 is applicable to S. No. 15001 and above.
  - Example-3 . . . . . ↔ indicates that the new and old parts are interchangeable. Both 15800-2000-0 and 15800-2000-01 are applicable to the first serial number and above.
- 9 REMARKS 1 . . . . . In this column, enter other applicable model names, dimensions and other special items. The following symbols and abbreviations are used throughout this book.  
29#12.00-15 . . . Tire size    sq. m . . . m<sup>2</sup>    sq. mm . . . mm<sup>2</sup>  
cu. m . . . m<sup>3</sup>    cu. mm . . . mm<sup>3</sup>    D . . . Diameter    L . . . Length
- 10 REMARKS 2 . . . . . The following expressions are used in NOTE for each group.  
Machines' serial numbers are indicated as follows.  
<15000 . . . Serial number below 15000.  
> 15001 . . . Serial number above 15001.  
14000 to 15000 . . . Serial number 14000 to 15000.  
For some models, the above expressions may also be used REMARKS 1 (9).
- 11 Fig. No. . . . . Indicates the numbers of figures for the parts that are shown in virtual images (virtual images).  
A figure number with XX means that there are two or more figures depending on the sister models.

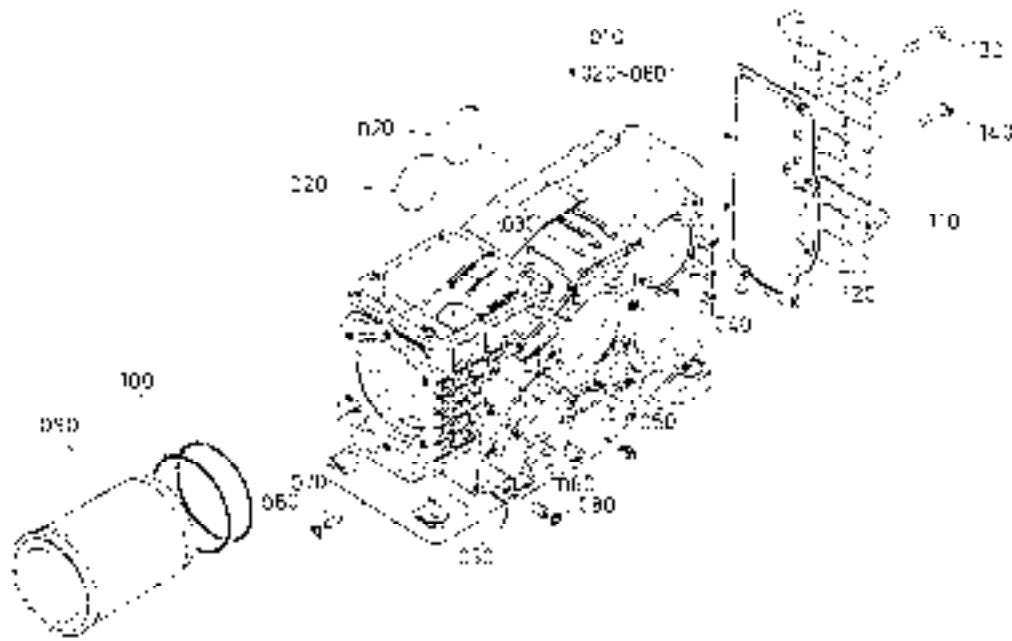
# CONTENTS

---

[E6300-E2-N61]

C00	CRANKCASEL .....	1
C003	CRANKER HEAD .....	2
C004	GEAR CASE .....	3
C005	HEAD COVER .....	4
C006	OIL FILTER .....	5
C007	DIAPHRAGM AND GUIDE .....	6
C008	OIL PUMP .....	7
C009	OIL PUMP BASE .....	8
C100	MAIN BEARING CASE .....	9
C10	CRANKSHAFT AND IDLE GEAR SHAFT .....	10
C102	PISTON AND CRANKSHAFT .....	11
C103	FLYWHEEL .....	12
C106	BALANCER .....	13
C180	IDLE APPARATUS .....	14
C202	INJECTION PUMP .....	15
C204	GOVERNOR .....	16
C205	SPEED CONTROL PLATE .....	17
C206	NOZZLE HOLDER AND GLOW PLUG .....	18
C207	NOZZLE HOLDER (COMPONENT PARTS) .....	19
C300	FUEL FILTER .....	21
C304	FUEL TANK .....	22
C404	STARTER .....	23
C405	STARTER (COMPONENT PARTS) .....	24
C406	OIL SWITCH THERMOSTAT AND PLUG .....	25
C502	RADIATOR .....	26
C504	FAN .....	27
C506	TENSION PULLEY .....	28
C600	VALVE AND ROCKER ARM .....	29
C603	AIR CLEANER .....	30
C605	MULLER .....	31
C800	GLOW LAMP AND TIMER (OPTION) .....	32
C802	CONTROL BOX AND METER .....	33
C906	ACCESSORIES AND SERVICE PARTS .....	34
C909	LABEL AND OPERATOR'S MANUAL .....	35
■	NUMERICAL INDEX .....	36

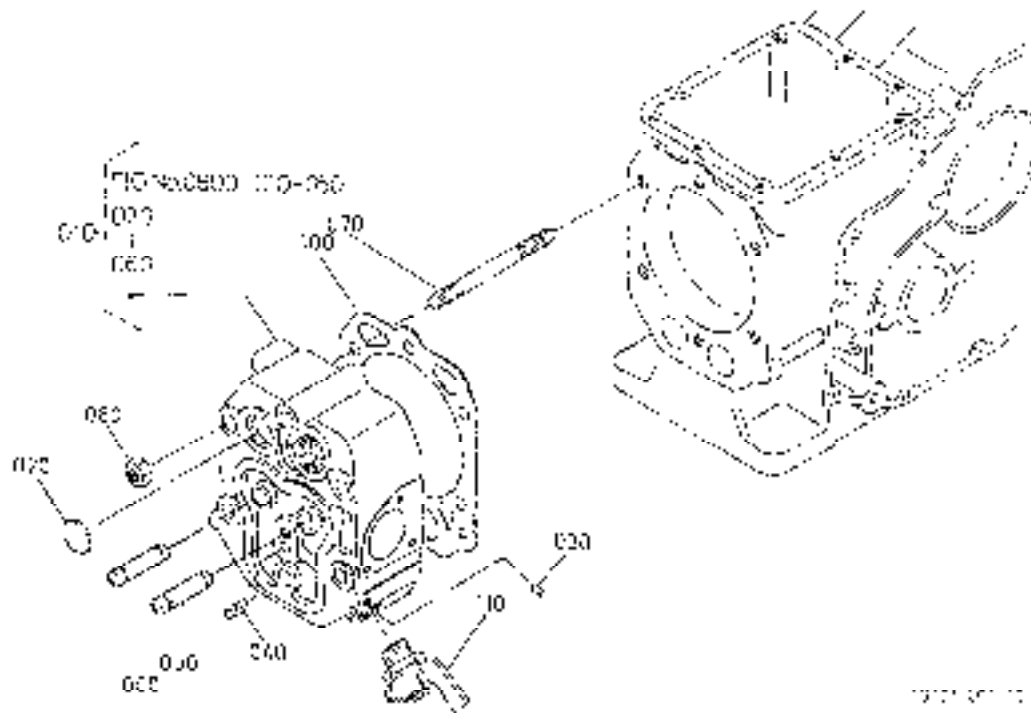
0001 CRANKCASE



A-4300-7 NH1

QTY	PART No	PART NAME	QTY		REMARKS
			A	B	
010	14971-0101-3	CRANKCASE			
020	14971-2671-0	PLUG SCW			
030	14321-3363-0	PLUG PIN			
040	05012-0081-2	PIN SHAFT			
050	05411-0041-2	PIN SHAFT NUT			
060	14911-9493-0	PIN FERRULE			
070	14321-3395-0	PIN FERRULE			
080	04810-00080	OIL RING			
090	14911-0731-0	LINER CYLINDER			
100	14911-0231-0	OIL RING			
110	14911-0471-0	COVER CRANKCASE			
120	4655-0472-0	GASLET CAST COVER			
130	01023-50635	SCREW			
140	01023-50625	SCREW			

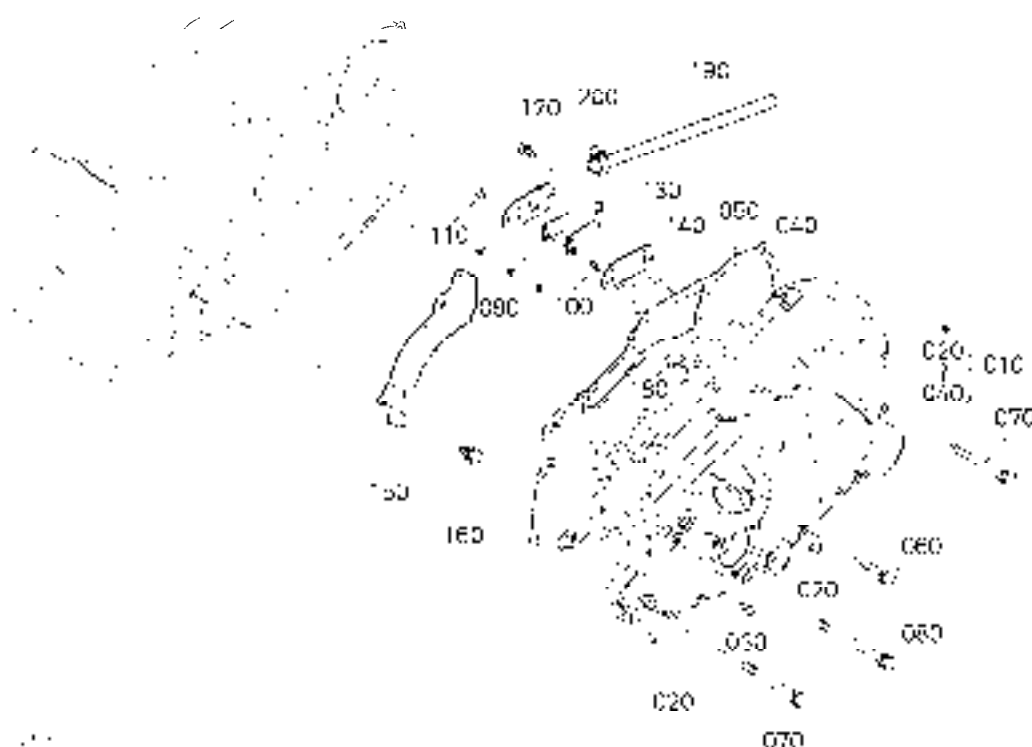
# 0003 CYLINDER HEAD



A-4250-7 NH1

QTY	PART No	PART NAME	QTY IN KIT		REMARKS
			A	B	
000	1000-0300-2	ASSY CYLINDER HEAD	.	.	
020	060-1 75072	PLUG - SPANS ON	.	.	
030	149-1 9685 C	PLUG	.	.	
040	054-1 00872	PIN SPRING	.	.	
050	167E1 1354 C	GK DE INTAKE VALVE	.	.	
060	167E1 1356 C	GK DE EXHAUST VALVE	.	.	
070	149-1 03472	STUD CYLINDER HEAD	.	.	
080	197-5 03572	GK CYLINDER HEAD	.	.	
090		BLANK	.	.	
100	1465E 0357 C	GASKET CYLINDER HEAD	.	.	
110	128-1-7311-C	SOCKET DRAIN	.	.	
.	.	.	.	.	
.	.	.	.	.	
.	.	.	.	.	
.	.	.	.	.	
.	.	.	.	.	
.	.	.	.	.	
.	.	.	.	.	

0004 GEAR CASE

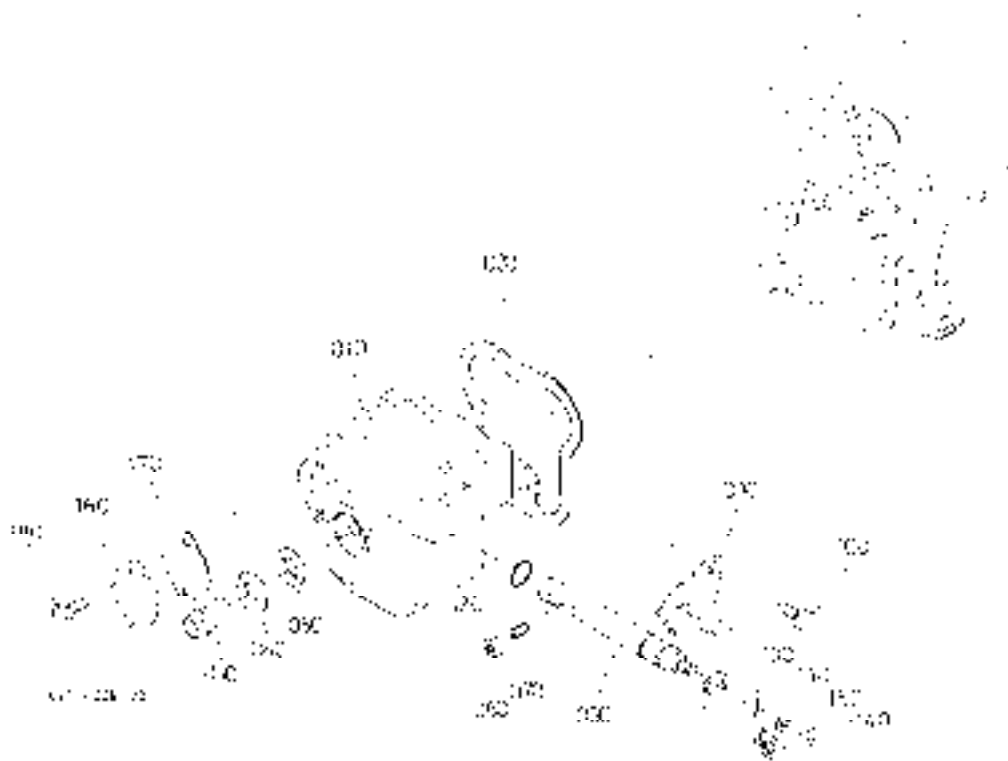


A-62001-7 NRI

QTY	PART No	PART NAME	QTY IN KIT		REMARKS
			A	B	
100	0101-0402-C	GEAR CASE G-AR			
020	14321 3365 C	PIUG PIN			
050	14971 6629 C	PIN ID. - SPIRING			
040	10101 0555 C	JEAL BREATHER			
050	14565 0413 C	GASLET GEAR CASE			
060	01021 50635	SELI			
070	01021 50065	SELI			
080	01021 5008C	SELI			
090	11470 0501 2	ASSY BREATHER			
100	05024 5040B	SCREW A TR WASHER			
110	020E4-5004C	NUT			
120	05024-5051C	SCREW A TR WASHER			
130	14565-0543-C	GASLET REFLECTOR			
140	14971-0541-C	PLATE BREATHER INNER			
150	14971-0531-C	GLARE G I			
160	01020-5061 2	SOIT			
170	----	BLANK			
180	14971 0536 C	GLARE G I			
190	096E4 5030C	ILBE I U-I			
200	0901B 38065	CLAMP -USE-			



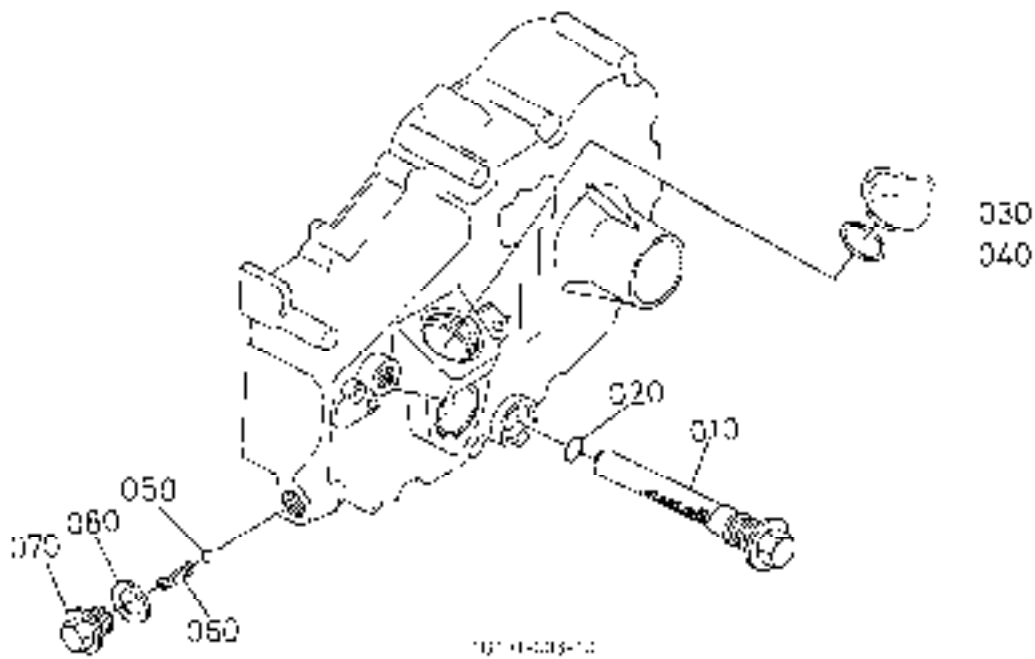
# 0005 HEAD COVER



REV. 7-10-01 1/2 NH1

QTY	PART No	PART NAME	QTY		REMARKS
			A	B	
010	14971-1451-2	COVER SH H-AD			
020	14971-1462-0	GASKET H-AD COVER			
030	152E1-1462-0	WLT H-AD COVER			
040	152E1-1464-0	WASHER H-AD COVER			
050	152E1-1463-0	GASKET			
060	14971-6032-2	SHAFT DECOMP			
070	152E1-6036-0	SOLE DECOMPRESSION			
080	0204E-5006C	WLT			
090	14971-6036-2	STOPPER DECOMP SHAFT			
100	01023-5007-2	SOLE			
110	14501-6031-0	COMP LEVER DEG LEVER			
120	01031-0080-0	O RING			
130	14971-6621-0	SPRING DECOMPRESS			
140	0204E-5006C	WLT			
150	04512-6006C	WASHER SPR NG			
160	152E1-6663-0	COVER DECOMP OPENING			
170	152E3-6664-0	GASKET DECOMP COVER			
180	01032-5067-4	SOLE			

# 0006 OIL FILTER



8-6211-2-50

QTY	PART NO.	DESCRIPTION	UNIT PRICE		AMOUNT
			UNIT	PRICE	
010	14971 3074 C	SHAFT			
020	04871 4074 C	SEAL			
030	10751 3374 C	NUT			
040	04877 6030 C	SEAL			
050	07771 0709 C	WASHER			
000	14971 3002 C	SEAL			
070	11420 3097 C	SEAL			
060	04724 0970 C	WASHER			

0007 DIPSTICK AND GUIDE

010



4271 CDA AC

1-21001-7 NRI

QTY	PART No	PART NAME	QTY IN STOCK		REMARKS
			A	B	
010	4971-364-C	GAUGE SL	.	.	
	.	.	.	.	
	.	.	.	.	
	.	.	.	.	
	.	.	.	.	
	.	.	.	.	
	.	.	.	.	
	.	.	.	.	
	.	.	.	.	

→ 1-21001-7 NRI →

0008 OIL PUMP

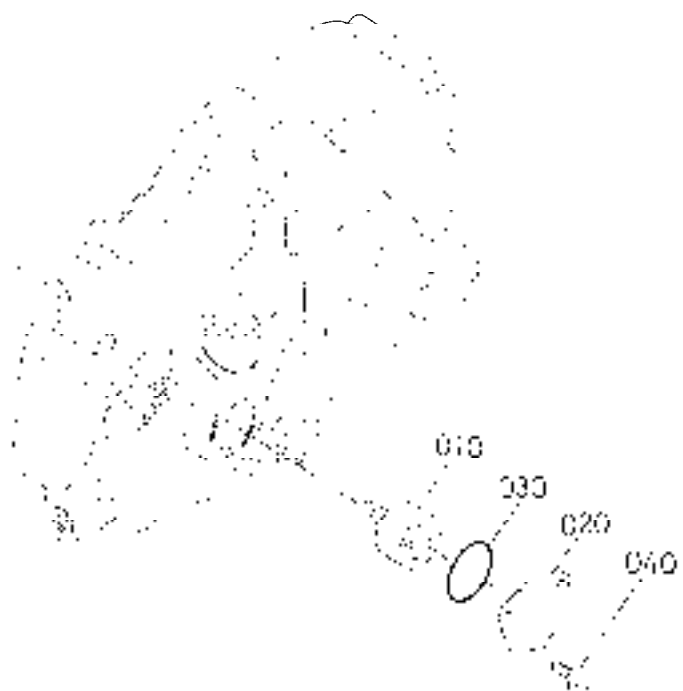


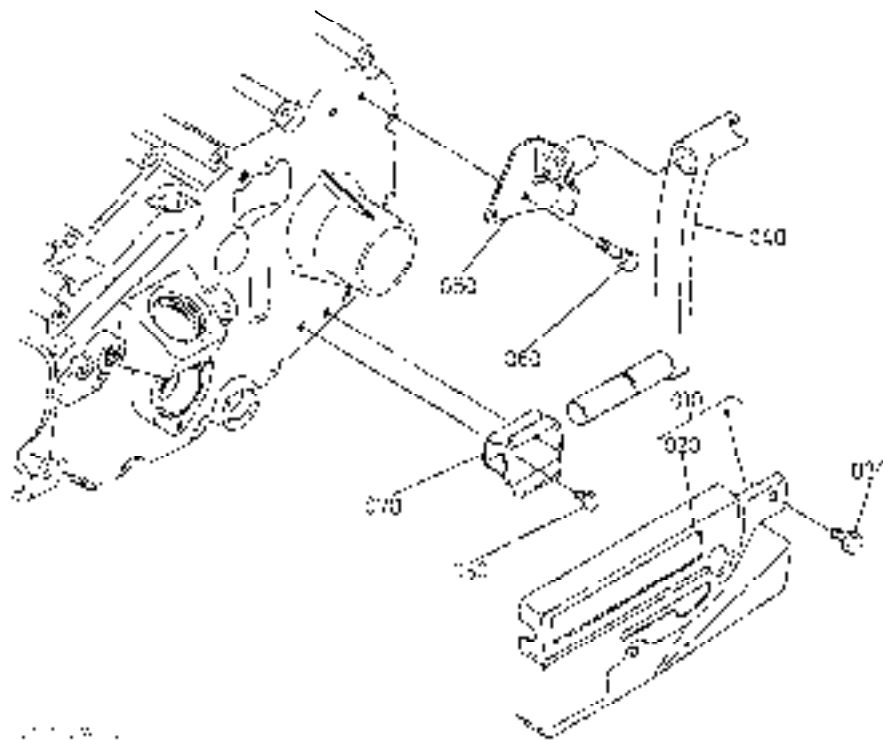
FIG. 2-12

A-6301-7 NH

QTY	PART No	PART NAME	QTY		REMARKS
			A	B	
010	1491-3540-C	ASSY RESTR OIL PUMP	.	.	
020	1492-3543-C	GEAR SET PUMP	.	.	
030	1491-3545-C	O RING	.	.	
040	0754-508-2	BEARING	1	.	
.	.	.	.	.	
.	.	.	.	.	
.	.	.	.	.	
.	.	.	.	.	
.	.	.	.	.	
.	.	.	.	.	
.	.	.	.	.	
.	.	.	.	.	
.	.	.	.	.	
.	.	.	.	.	

→ 7 →

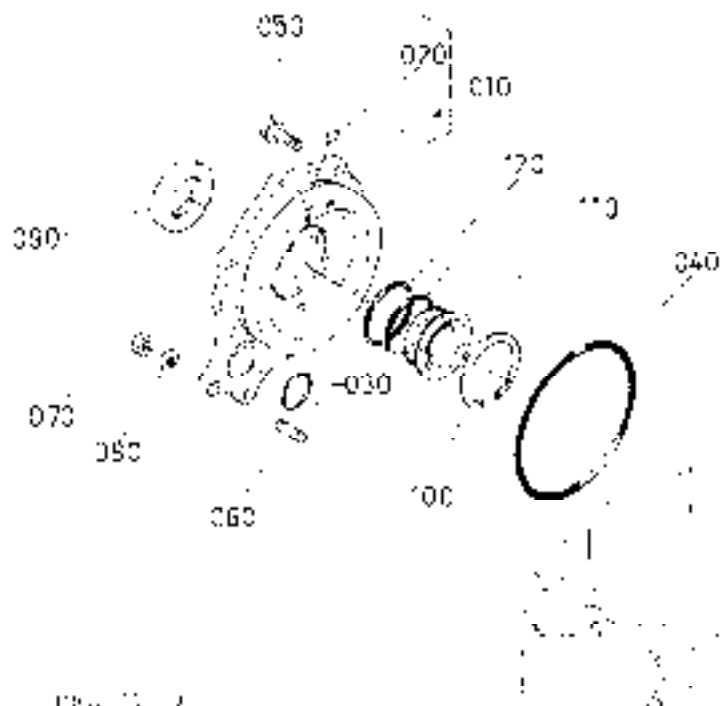
# 0009 OIL PUMP BASE



A-4322-2-NH1

QTY	PART No	PART NAME	QTY IN KIT		REMARKS
			A	B	
020	10701-0480-0	COMP. UPPER SIDE	.	.	
030	10701-3855-0	ROLLER	.	.	
040	01023-508-2	SLIDER	.	.	
050	19104-6111-2	HANDLE - START	.	.	
052	14971-6126-4	SUPPORT START HANDLE	.	.	
060	01023-508-8	SLIDER	.	.	
070	11952-6122-0	HOLDER START HANDLE	.	.	
080	01222-500-2	SLIDER	.	.	
.	.	.	.	.	
.	.	.	.	.	
.	.	.	.	.	
.	.	.	.	.	
.	.	.	.	.	
.	.	.	.	.	
.	.	.	.	.	
.	.	.	.	.	
.	.	.	.	.	

# 0100 MAIN BEARING CASE



A-4301-2 NH1

QTY	PART No	PART NAME	QTY IN KIT		REMARKS
			A	B	
010	14961-0404-2	COMP BEARING CASE	.	.	
020	14541 9685 C	PIUS	.	.	
030	14911 3545 C	O RING	.	.	
040	04811 1105C	O RING	.	.	
050	01754 5062C	SEAL FLANGE	.	.	
060	01518 5062C	STUD	.	.	
070	0204E 5000C	WAL	.	.	
080	04512 5000C	WASHER SPRING	.	.	
090	14911 7355 C	SEAL OIL	.	.	
100	04611 0050C	GIR CLIP INTERNAL	.	.	
110	4911-357L-C	O RING	.	.	
120	4911-357J-C	O RING	.	.	
.	.	.	.	.	
.	.	.	.	.	
.	.	.	.	.	
.	.	.	.	.	
.	.	.	.	.	
.	.	.	.	.	
.	.	.	.	.	
.	.	.	.	.	

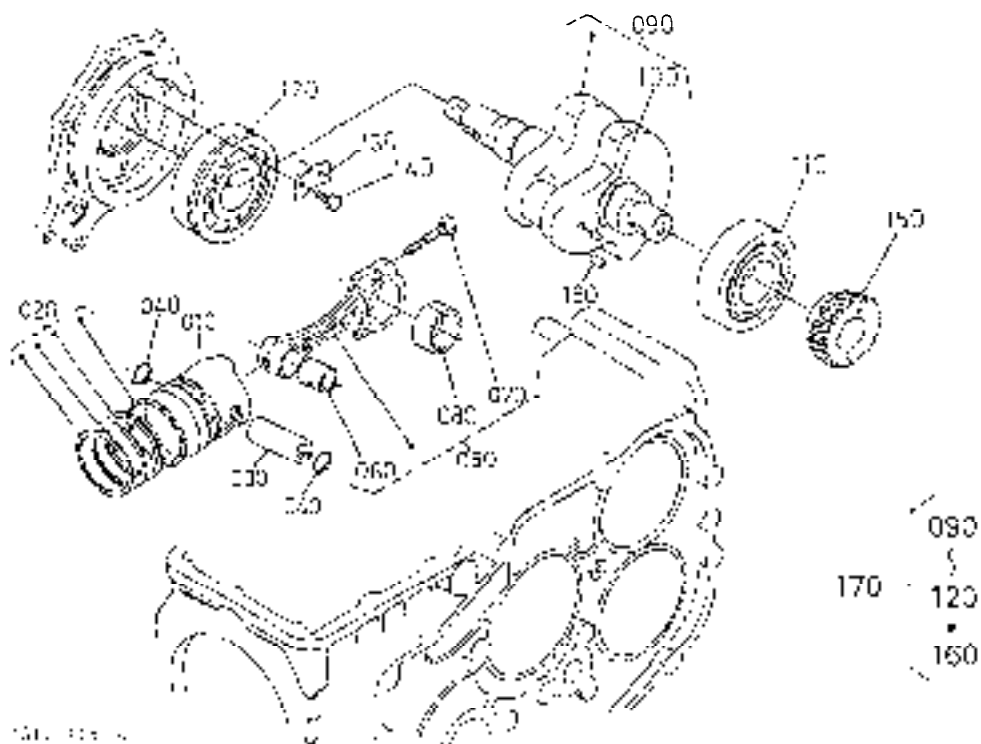
0101 CAMSHAFT AND IDLE GEAR SHAFT



A-6201-2 NH1

QTY	PART No	PART NAME	QTY		REMARKS
			A	B	
010	162E1-555-C	IMPFER	.	.	
020	14971-151-C	PLS- RCD	.	.	
030	14971-160-C	ASSY CAMS-A-1	.	.	
040	14971-161-B-C	CAMSHAFT	.	.	
050	14971-165-C	GEAR CAMS-A-1	.	.	
060	10271-1624-C	SCOT FEATHER	.	.	
070	14971-1027-C	STOPPER CAMS-A-1	.	.	
080	01072-000-B	SCRT	.	.	
090	14971-240-C	COMP GEAR DLE	.	.	
100	162E1-2498-C	BUSY DLE GEAR	.	.	
110	162E1-2436-C	SOLAR DLE STAR	.	.	
120	162E1-2437-C	SOLAR DLE STAR	.	.	
130	162E1-2432-C	STOPPER DLE GEAR	.	.	
140	14971-2425-C	SHAFT IDLE GEAR	.	.	
150	01023-506-B	SCRT	.	.	
160	162E1-6220-C	SHAFT START	.	.	
170	----	BLANK	.	.	
180	14107-6220-C	PIN START SHAFT	.	.	
190	09550-25357	SEA OIL	.	.	
200	14971-6212-C	GEAR START	.	.	
210	06712-005-C	SCOT FEATHER	.	.	
220	04612-0016C	CIR CLIP EXTERNAL	.	.	
			.	.	
			.	.	
			.	.	

# 0102 PISTON AND CRANKSHAFT



REV. 2 1981

PART No	PART NAME	QTY		REMARKS
		A	B	
030	PISTON			
020	ASSY PISTON RING			
040	PIN PISTON			
050	CLIP PISTON PIN			
060	ASSY CONNECTING ROD			
070	BUSH PISTON PIN			
080	BUSH CONNECTING ROD			
090	METAL CRANKPIN			
100	METAL CRANKPIN			
110	METAL CRANKPIN			
120	COMP CRANKSHAFT			
130	PLUG			
140	BEARING MAIN			
150	BEARING MAIN			
160	STOPPER			
170	BOLT			
180	GEAR CRANK			
190	KEY FEATHER			
200	ASSY CRANKSHAFT			



0103 FLYWHEEL

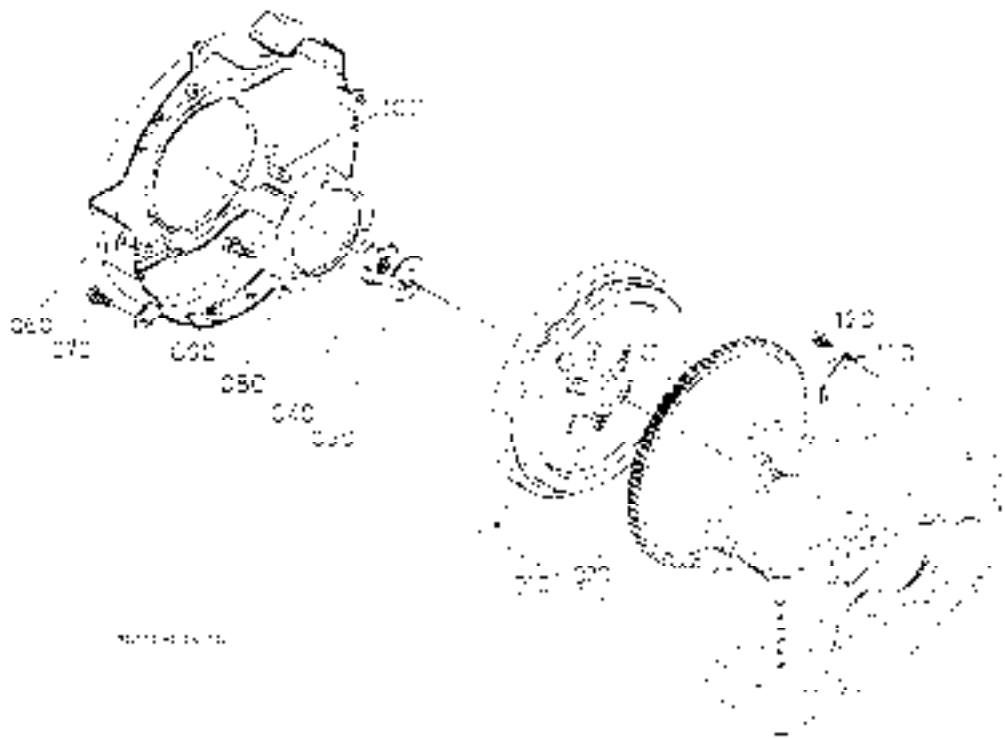
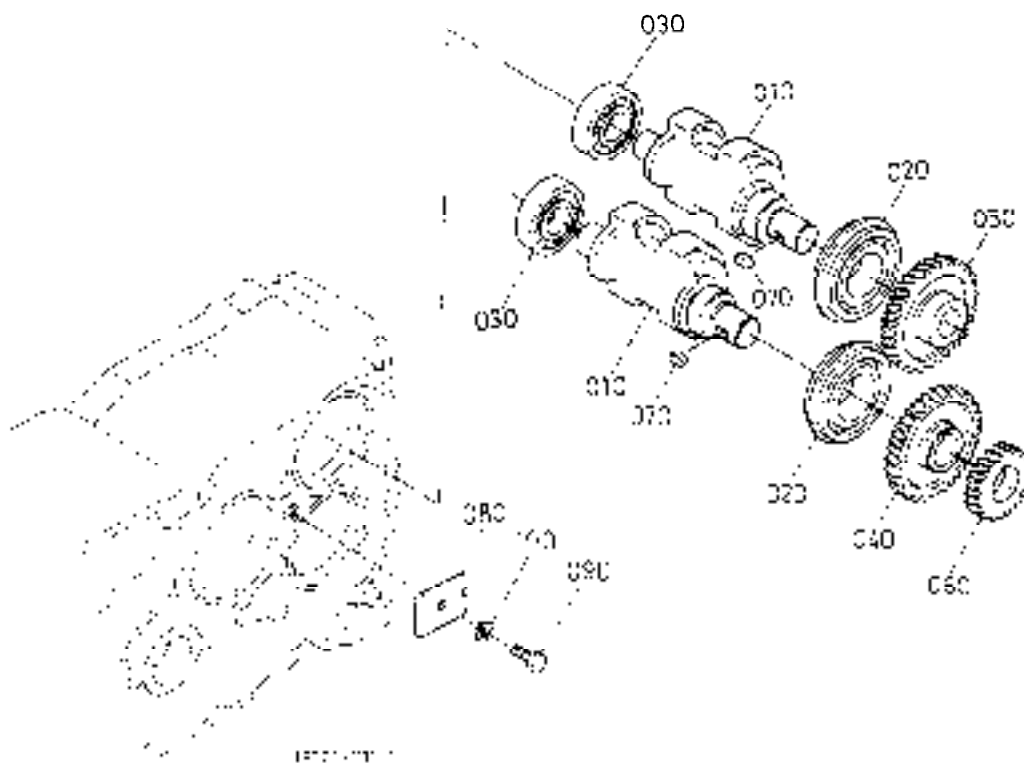


FIG. 2-100

QTY	PART No	PART NAME	QTY		REMARKS
			A	B	
070	14270-2505-C	GMP 1. M...	.	.	
020	16201-6387-2	GEAR RING	.	.	
050	14901-9501-C	GEAR FEATHER	.	.	
040	14971-2336-C	WLT. CRANKSHAFT	.	.	
050	14971-2337-2	WASHER FLYWHEEL	.	.	
060	14275-2533-5	COVER FLYWHEEL	.	.	
070	01023-3001-4	BOLT	.	.	
080	19501-8451-C	SHAFT PULLER	.	.	
090	01173-3083C	BOLT	.	.	
100	19142-9501-C	GEAR FEATHER	.	.	
050	14971-2533-2	COVER FLYWHEEL	.	.	
20	01023-3001-2	BOLT	.	.	
.	.	.	.	.	
.	.	.	.	.	
.	.	.	.	.	
.	.	.	.	.	
.	.	.	.	.	
.	.	.	.	.	
.	.	.	.	.	
.	.	.	.	.	
.	.	.	.	.	
.	.	.	.	.	
.	.	.	.	.	

© 2010 Kubota Corporation

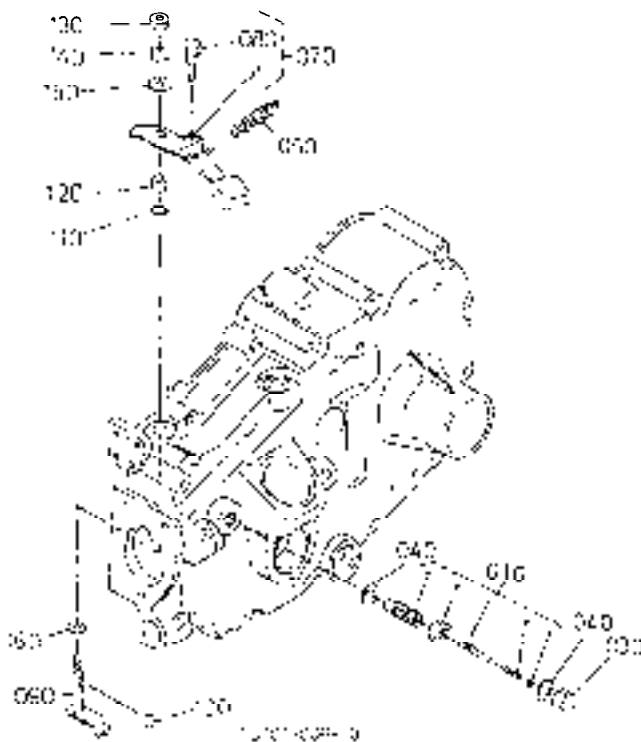
0106 BALANCER



A-6301-7 NH1

QTY	PART No	PART NAME	QTY		REMARKS
			A	B	
010	14971-2625-C	SHAFT	1		
020	14971-2626-C	BEARING BALANCER	1		
030	14971-2629-C	BEARING BALANCER	1		
040	14971-2644-C	GEAR BALANCER	1		
050	14971-2645-C	GEAR BALANCER	1		
060	14971-2646-C	GEAR BALANCER	1		
070	06712-005-B	SET SCREW	1		
080	14971-2081-C	RETAINER BEARING	1		
090	01013-000-4	SPRING	1		
100	04612-6000C	WASHER SPRING	1		

# 0180 IDLE APPARATUS

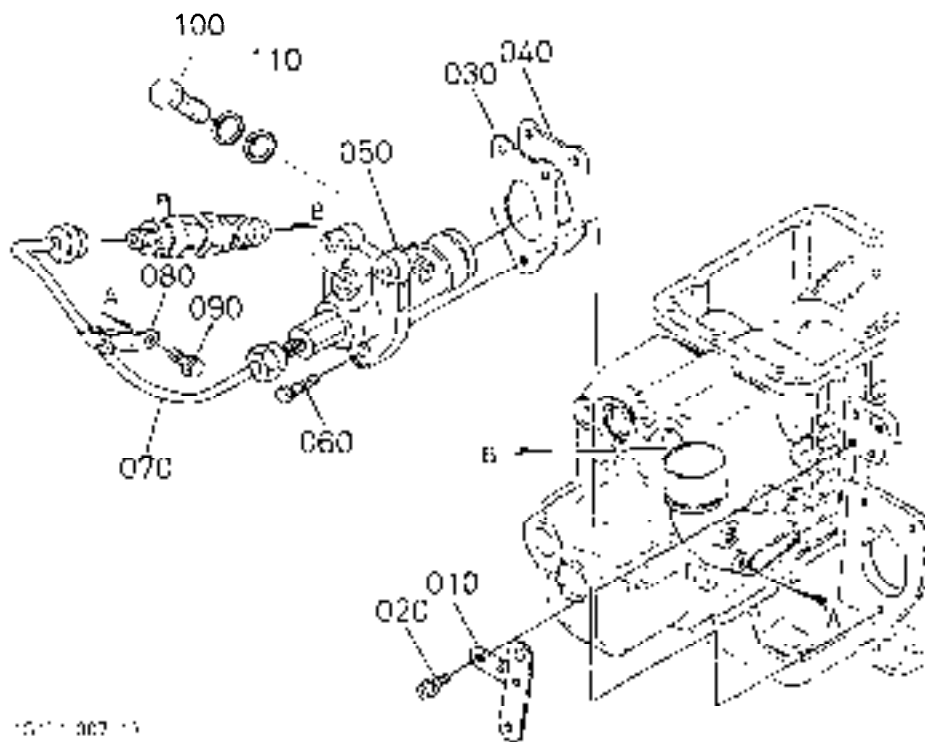


A-6301-7 NH

P/N	PART No	PART NAME	QTY		REMARKS
			A	B	
010	1011-5402-C	APPARATUS FUEL INLET			
020		BLANK			
030	152E1-5422-C	WLT			
040	15109-3366-C	GASKET	1		
050		BLANK			
060	14972-5854-C	SPRING STOP			
070	14911-5704-C	ASSY LEVER SHUT OFF			
080	01277-5001-C	WLT			
090	14911-5723-C	COMP SHUT OFF SHUT OFF			
100	162E1-9601-C	STOP FEATHER			
110	0481E-0007C	O RING			
120	0203-5758-C	PLATE FOR STOP VALVE			
130	02012-6006C	WLT			
140	0205E-5006C	WLT			
150	04013-6006C	WASHER FLAT			
160	04012-5006C	WASHER FLAT			

© 2001 Kubota Corporation. All rights reserved.

# 0202 INJECTION PUMP

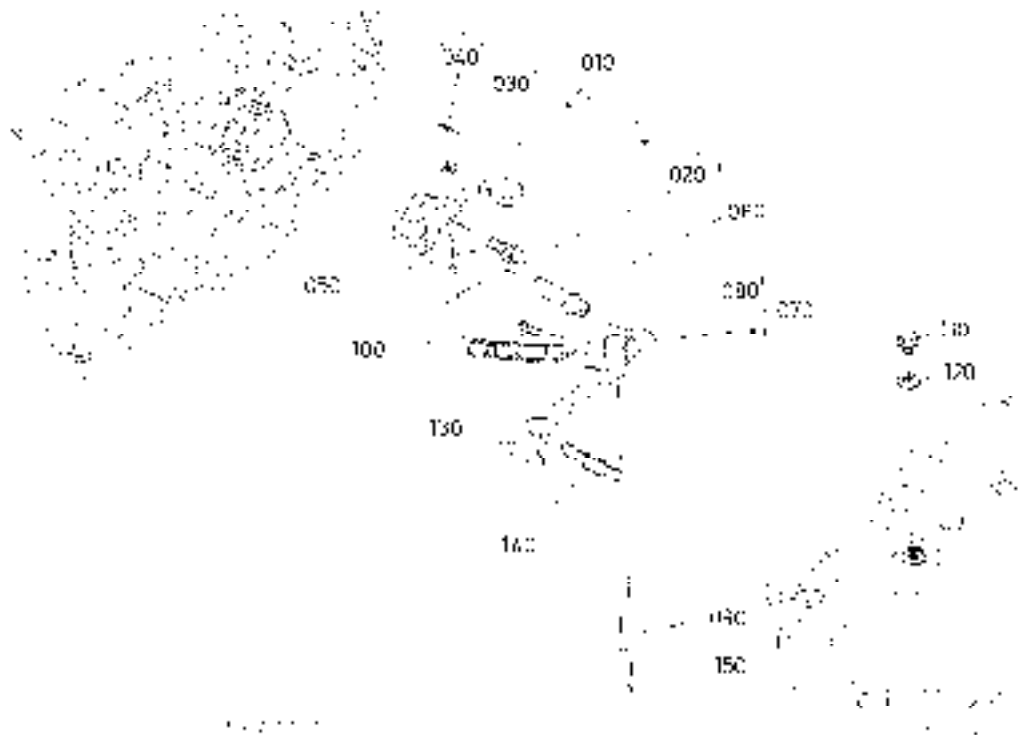


15-11-003-13

15-11-003-13

QTY	PART No	PART NAME	QTY		REMARKS
			A	B	
010	14971-4292-2	HEX NUT			
020	01023-5081-0	WASHER			
030	14971-5211-0	SH Y PLW ADJUST			
030	16111-5211-0	SH Y			
040	14971-5212-0	SH Y PLW ADJUST			
050	16111-5101-2	ASSY PLW INJECTION			
060	01023-50022	WASHER			
070	16101-5371-0	PIPE ACCESSORY			
080	14971-5381-2	CLAMP PIPE			
090	01714-50014	WASHER FLANGE			
03	14971-532-0	SCREW COLUMN			
10	14971-534-0	WASHER			

0204 GOVERNOR



A-6200-7 NH1

QTY	PART No	PART NAME	QTY		REMARKS
			A	B	
010	14971-5505-2	ASSY RE-GOV GOVERNOR			
020	14971-5526-C	PIN GOVERNOR HEIGHT			
030	04072-5006G	WASHER PLAIN			
040	19080-1559-C	PIN SHAFT			
050	01073-5067-4	BALL			
060	14971-5537-C	SHAFT GOVERNOR			
070	14971-5004-C	COMP LEVER GOVERNOR			
080	07775-00201	BALL			
090	14971-5074-C	SHAFT GOVERNOR LEVER			
100	05024-5067-4	SCREW A TH WASHER			
110	06321-3507-C	PLUG			
120	04724-0070C	GASKET			
130	14971-5647-C	SPRING GOVERNOR			
140	14971-5646-C	SPRING D. NO			
150	07775-03205	BALL			

# 0205 SPEED CONTROL PLATE

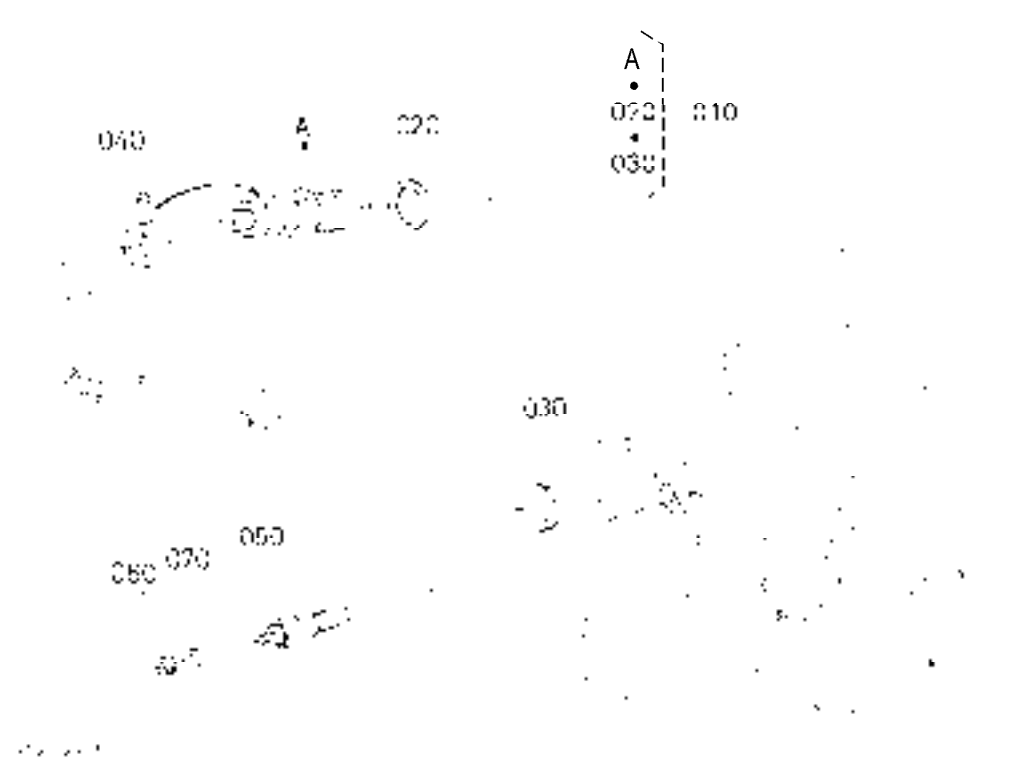


DATE: 000-0

REV. 7-1000-12-NH1

QTY	PART No	PART NAME	QTY		REMARKS
			A	B	
010	11151-5780-C	NUT LOCK			
020	16221-5442-C	GMP			
030	0105E-50625	BEEL	50625		
030	01023-50618	BEEL	50618		
040	02014-5006C	NUT	5006C		
050	0105E-5063C	BEEL			
060	14912-5100-C	ASSY HOLDER THRO'LE			
070	14912-5107-C	HOLDER THRO'LE WIRE			
080	04012-5008C	WASHER PLAIN			
090	0211E-5008C	NUT			

# 0206 NOZZLE HOLDER AND GLOW PLUG

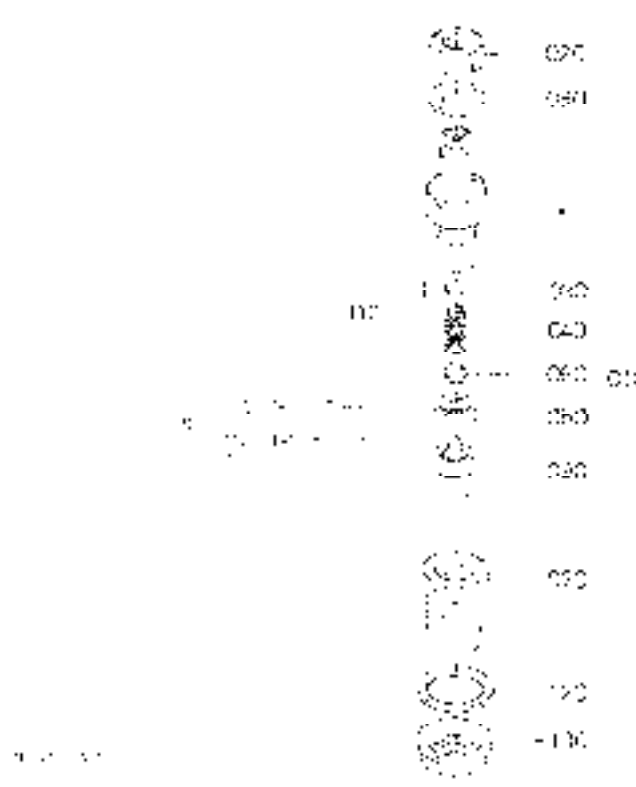


A-4301-2 NH1

No.	PART No.	PART NAME	QTY		REMARKS
			A	B	
010	0101-5390-C	LET FLOW-ER NOZZLE	.	.	
020	15841-5362-2	GASKET	.	.	
030	19077-5365-C	SEA-HEAT	.	.	
040	0111-9566-C	JET NOZZLE HOLDER	.	.	
050	16851-655-2	GLOW PLUG	.	.	
060	02761-5004C	WAL FLANGE	.	.	
070	040-2-5004C	WASHER FLANGE	.	.	
	.	.	.	.	
	.	.	.	.	
	.	.	.	.	
	.	.	.	.	
	.	.	.	.	
	.	.	.	.	
	.	.	.	.	

⇒ 18

0207 NOZZLE HOLDER (COMPONENT PARTS)



A-6201-2 NH1

QTY	PART No	PART NAME	QTY		REMARKS
			A	B	
020	6841-5390-C	SLIP HO. B-R NOZZLE			
021	6841-9703-C	WASHER			
022	6841-5323-C	WASHER ADJUST NG			
023	6841-5317-C	SPRING NOZZLE			
024	6841-5335-C	WASHER ADJUST NG			
025	6841-5316-C	WASHER ADJUST NG			
026	6841-5326-C	WASHER ADJUST NG			
027	6841-5307-C	WASHER ADJUST NG			
028	6841-9810-C	ASSY WASHER ADJUST			
029	6841-5325-C	WASHER ADJUST NG			
030	6841-9851-C	WASHER ADJUST NG			
031	6841-9852-C	WASHER ADJUST NG			
032	6841-9853-C	WASHER ADJUST NG			
033	6841-9854-C	WASHER ADJUST NG			
034	6841-9855-C	WASHER ADJUST NG			
035	6841-9856-C	WASHER ADJUST NG			
036	6841-9857-C	WASHER ADJUST NG			
037	6841-9858-C	WASHER ADJUST NG			
038	6841-9859-C	WASHER ADJUST NG			
039	6841-9860-C	WASHER ADJUST NG			
040	6841-9861-C	WASHER ADJUST NG			
041	6841-9862-C	WASHER ADJUST NG			
042	6841-9863-C	WASHER ADJUST NG			
043	6841-9864-C	WASHER ADJUST NG			
044	6841-9865-C	WASHER ADJUST NG			
045	6841-9866-C	WASHER ADJUST NG			
046	6841-9867-C	WASHER ADJUST NG			
047	6841-9868-C	WASHER ADJUST NG			
048	6841-9869-C	WASHER ADJUST NG			
049	6841-9870-C	WASHER ADJUST NG			



0207 NOZZLE HOLDER (COMPONENT PARTS)



LEN 2 1001 -7 NH1

QTY	PART No	PART NAME	QTY IN STOCK		REMARKS
			A	B	
00	5841-9871-C	WASHER ADJUST NG			
00	5841-9872-C	WASHER ADJUST NG			
00	5841-9873-C	WASHER ADJUST NG			
00	5841-9874-C	WASHER ADJUST NG			
00	5841-9875-C	WASHER ADJUST NG			
00	5841-9876-C	WASHER ADJUST NG			
00	5841-9877-C	WASHER ADJUST NG			
00	5841-9878-C	WASHER ADJUST NG			
00	5841-9879-C	WASHER ADJUST NG			
00	5841-9880-C	WASHER ADJUST NG			
00	5841-9881-C	WASHER ADJUST NG			
00	5841-9882-C	WASHER ADJUST NG			
00	5841-9883-C	WASHER ADJUST NG			
00	5841-9884-C	WASHER ADJUST NG			
00	5841-9885-C	WASHER ADJUST NG			
00	5841-9886-C	WASHER ADJUST NG			
00	5841-9887-C	WASHER ADJUST NG			
00	5841-9888-C	WASHER ADJUST NG			
00	5841-9889-C	WASHER ADJUST NG			
00	5841-9890-C	WASHER ADJUST NG			
00	5841-9891-C	WASHER ADJUST NG			
00	5841-9892-C	WASHER ADJUST NG			
00	5841-9302-2	SPACER			
20	9011-0306-C	SEAL RING			

→ 1001 1002 1003 1004 1005 1006 1007 1008 1009 1010 1011 1012 1013 1014 1015 1016 1017 1018 1019 1020 1021 1022 1023 1024 1025 1026 1027 1028 1029 1030

# 0300 FUEL FILTER

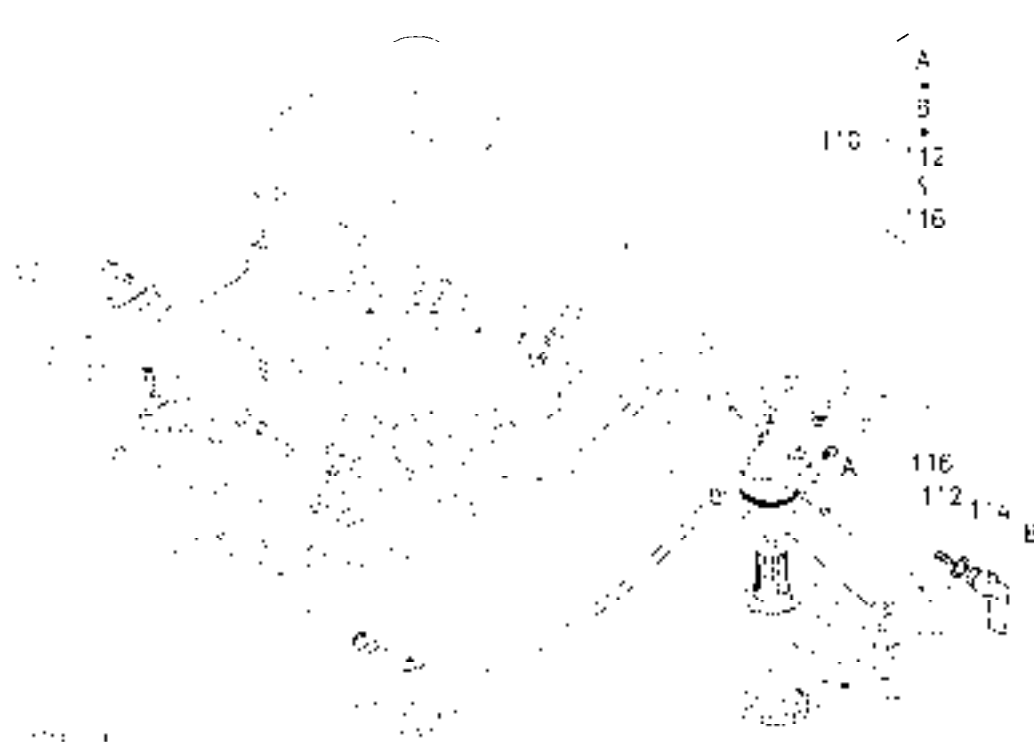


FIG. 1-2-1

QTY	PART No	PART NAME	QTY		REMARKS
			A	B	
010	14219-4201-C	ASSY PIPE TUBE			
020	14911-4275-C	CL P PIPE			
030	14971-4202-C	ASSY PIPE TUBE			
040	14911-4275-C	CL P PIPE			
050	14111-4241-C	JOINT EYE			
060	14275-4220-C	ASSY PIPE A P VENT			
070	14911-4275-C	CL P PIPE			
080	14275-4250-C	ASSY PIPE OVER FLOW			
090	14911-4275-C	CL P PIPE			
100	14911-4301-C	ASSY FILTER FUEL			
110	14911-4301-C	COMP BODY FILTER			
120	17021-4382-C	SPRING VALVE			
130	0481E-0610-C	O RING			
140	17021-4383-C	SCREW COVER			
150	17021-4356-C	ASSY TUBE			
160	0481E-0610-C	O RING			
170	17251-4310-C	ASSY G.P. FILTER			
180		BLANK			
190	16870-3843-C	WHEEL			
200	17021-4359-C	RING RETAINING			
210	0481E-0039-C	O RING			
220	01123-50845	WHEEL			
230	16212-5157-C	CLAMP GUM			

Copyright © 2000 Kubota Corporation. All rights reserved.

# 0304 FUEL TANK

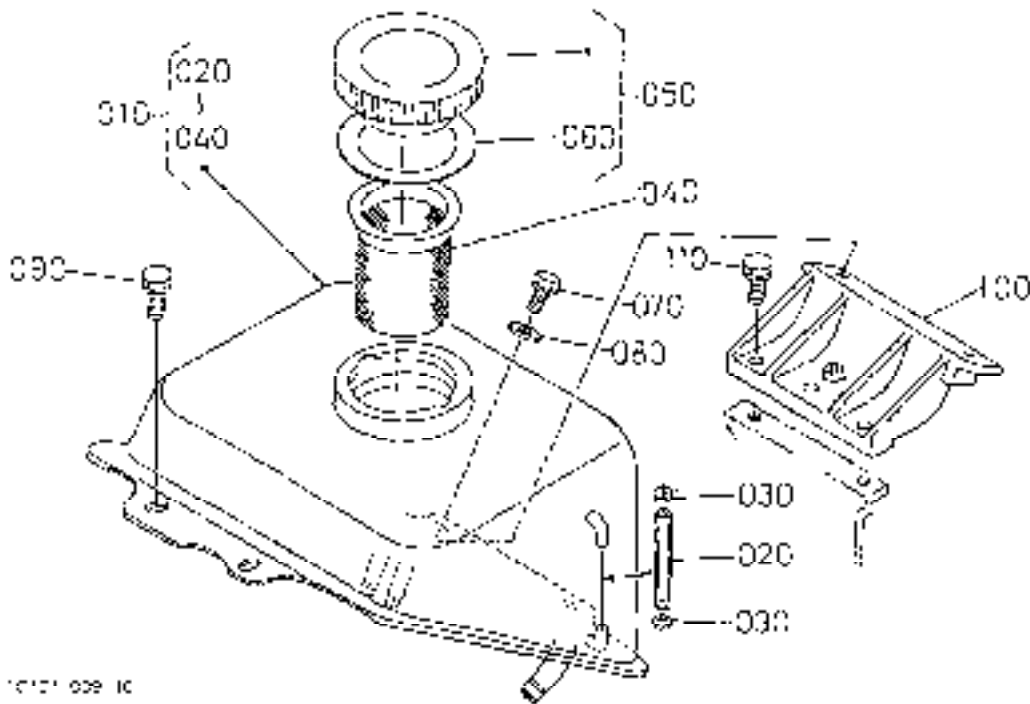
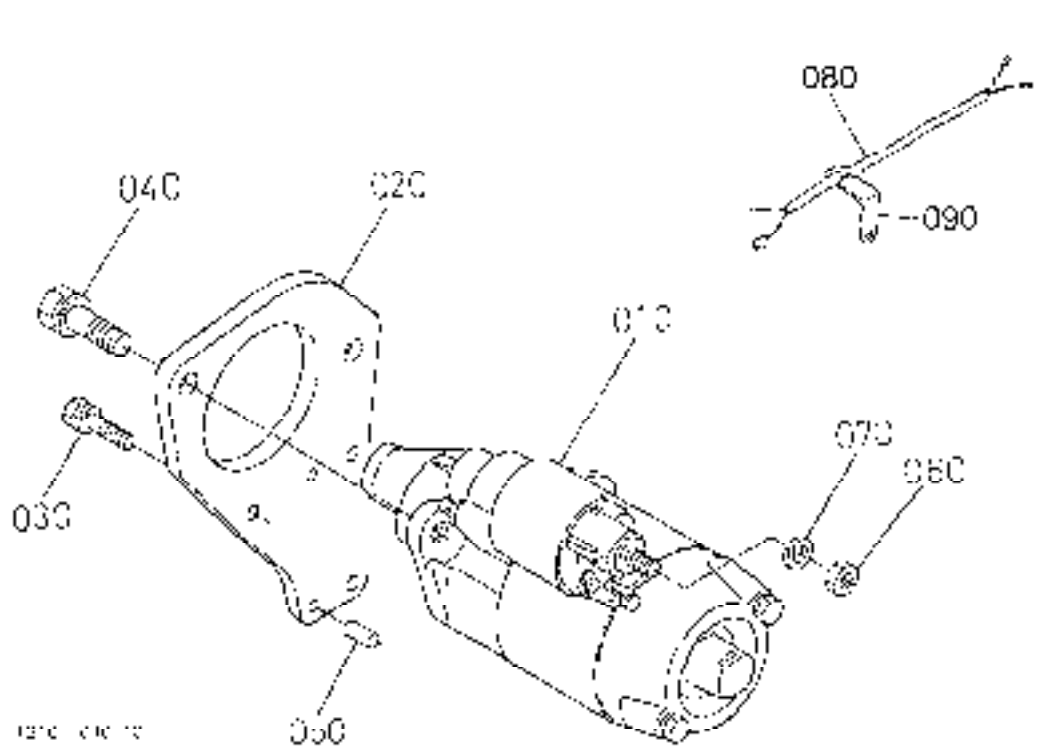


FIG. 1039 10

FIG. 1039 10

No.	PART No.	PART NAME	QTY		REMARKS
			A	B	
030	16101-4102-0	ASSY TANK FUEL SUB			
020	13871-4171-0	GAUGE FUEL			
050	13871-4177-0	BAND PIPE			
040	12545-4135-0	FILTER FUEL TANK			
050	12521-4103-0	ASSY CAP FUEL TANK			
060	12521-4134-0	GASKE TANK CAP			
070	01173-50820	SCREW			
080	04013-50080	WASHER PLATE			
090	01173-50845	SCREW			
100	14218-4113-2	SUPPORT FUEL TANK			
110	01023-50622	SCREW			

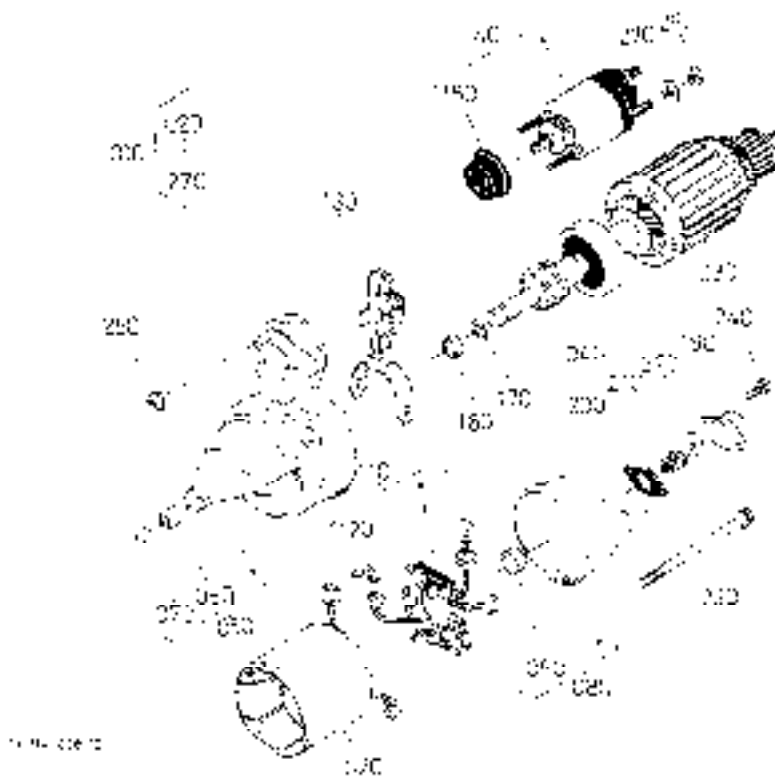
# 0404 STARTER



REV. 10/01-12 NH1

QTY	PART No	PART NAME	QTY		REMARKS
			A	B	
1	14270-6301-0	ASSY STARTER			
1	14270-6389-3	SLIPPER STARTER			
1	01023-5061-8	BEEL	1		
1	01023-5103-0	BEEL	1		
1	05012-0061-4	PIN SPRING	1		
1	02014-5006-0	NUT			
1	04012-5006-0	WASHER SPRING			
1	14270-6505-0	ASSY WIRE HARNESS			
1	16212-6161-0	CLAYE GUM			

# 0405 STARTER (COMPONENT PARTS)

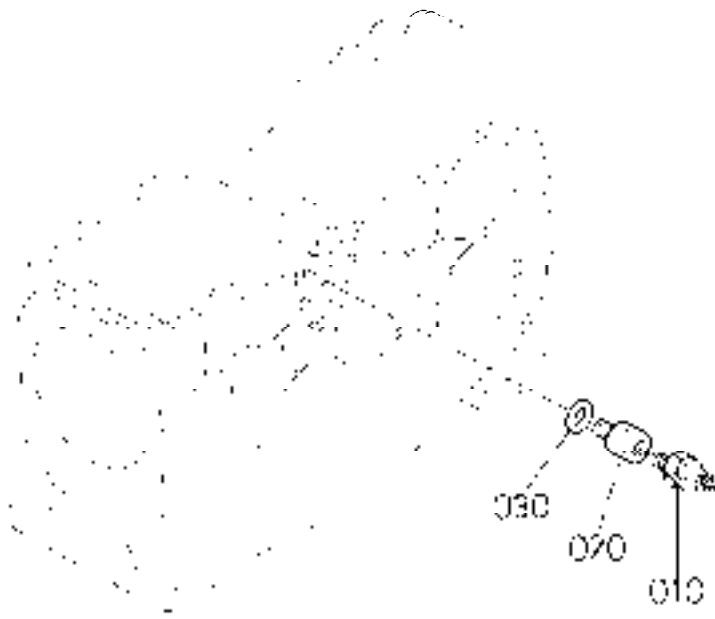


A-6301-7 NH1

QTY	PART No	PART NAME	QTY		REMARKS
			A	B	
010	4270-6301-C	ASSY STARTER			
020	4270-6302-C	CLUTCH STARTER			
030	4270-6303-C	ARMATURE			
040	4270-6304-C	CLUTCH OVER RUNNING			
050	4270-6305-C	ASSY FRAME			
060	4270-6306-C	BLADE			
070	4270-6307-C	PLUG EXPANSION			
080	4270-6308-C	ASSY FRAME END			
090	4270-6309-C	BLADE			
100		BLANK			
110	4270-6310-C	ASSY HOLDER BRUSH			
120	4270-6311-C	SPRING BRUSH			
130	4270-6312-C	COVER BRUSH			
140	5221-6302-2	SCREW WASHET 2			
150	4270-6345-C	COVER			
160	5221-9482-C	PIN SNAP			
170		BLANK			
180	5221-6325-C	WHEEL P A ON STOP			
190	4270-6351-C	END FRAME			
200	4270-6352-C	GASKET			
210	4270-6319-C	SPRING BRAKE			
220	4270-6318-C	SHOE BRAKE			
230	4270-6353-C	BOLT THROUGH			
240	03024-00414	SCREW WASHET			
250	4270-9201-C	WHEEL			
260	02112-5008C	WHEEL			
270	4270-9401-C	WASHER PLATE			

Copyright © 2000 Kubota Tractor Corp. All rights reserved. Printed in Japan.

# 0406 OIL SWITCH/THERMOMETER AND PLUG



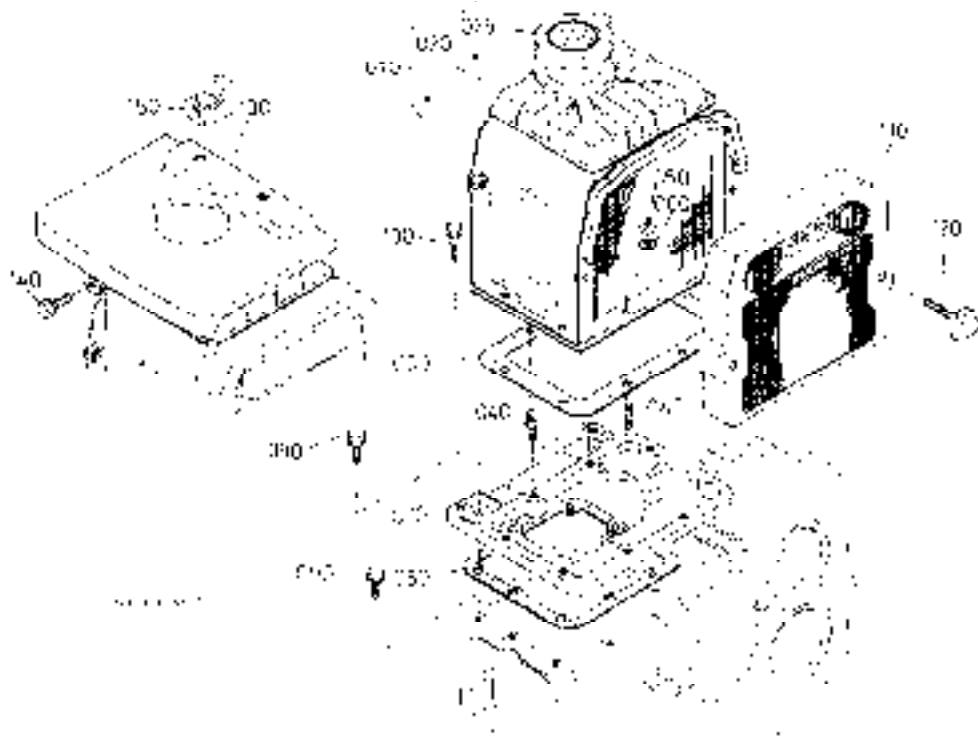
10000-100-20

REV. 7-10-81 (2)

QTY	PART No.	PART NAME	QTY		REMARKS
			A	B	
010	4611-3609-C	SWITCH	.	.	
020	4971-3611-2	TEMP. SENS.	.	.	
030	04774-0010C	PLUG	.	.	
.	.	.	.	.	
.	.	.	.	.	
.	.	.	.	.	
.	.	.	.	.	
.	.	.	.	.	
.	.	.	.	.	

© 1981 Kubota Tractor Co. All rights reserved. Printed in Japan.

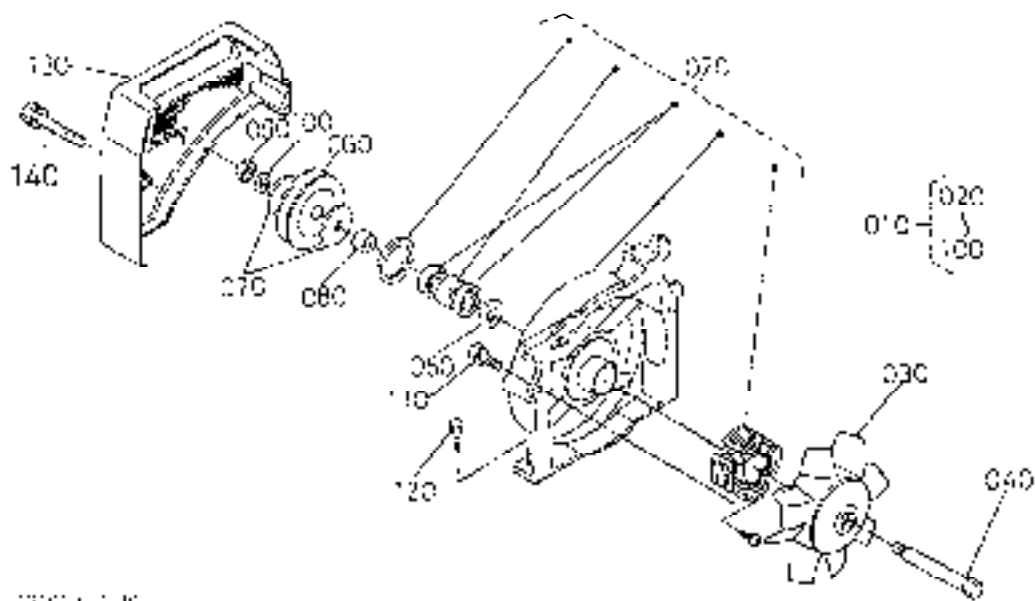
0502 RADIATOR



JAN 78 1001-7 NH1

QTY	PART No	PART NAME	QTY TO STOCK		REMARKS
			A	B	
010	14971-7206-2	ASSY RAD ATOR	.	.	
020	01131-7203-0	ASSY CAP RADIATOR	.	.	
025	01131-8774-0	WHEEL GAUGE ON	.	.	
050	14971-7212-0	GASKET RAD ATOR	.	.	
040	01518-5061-8	STUD	.	.	
050	02014-50060	NUT	.	.	
060	04512-50060	WASHER SPRING	.	.	
070	14971-7214-0	BASE RAD ATOR	.	.	
080	14655-7241-0	GASKET RAD ATOR	.	.	
090	01714-5061-8	BELT FLANGE	.	.	
05	01023-50620	BELT	.	.	
10	14971-7221-0	VT RAD ATOR	.	.	
20	01829-50635	BELT KNOB	.	.	
30	14278-7221-0	COYER RADIATOR	.	.	
40	01023-50616	BELT	.	.	
50	14278-0174-0	HOSE TAP 5"	.	.	
.	.	.	.	.	
.	.	.	.	.	
.	.	.	.	.	
.	.	.	.	.	
.	.	.	.	.	
.	.	.	.	.	
.	.	.	.	.	
.	.	.	.	.	
.	.	.	.	.	
.	.	.	.	.	
.	.	.	.	.	
.	.	.	.	.	

# 0504 FAN

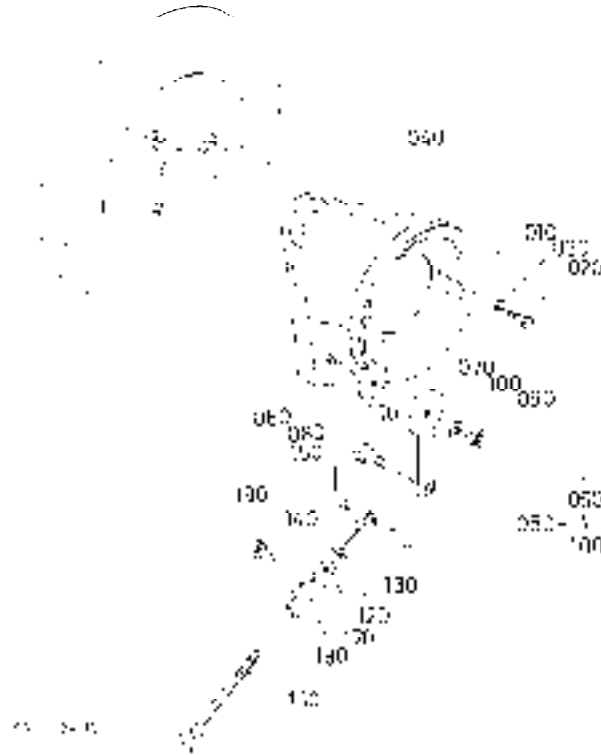


A-6301-2 NH1

QTY	PART No	PART NAME	QTY		REMARKS
			A	B	
070	14276-7401-C	ASSY FAN 200. NG	.	.	
070	14276 7410 C	COVER BRACKET FAN	.	.	
050	14276 7411 C	FAN	.	.	
040	14972 7414 C	SHAFT FAN	.	.	
050	14972 7417 C	WASHER FAN	.	.	
060	14972 7425 C	WASHER FAN	.	.	
070	14972 7424 C	WASHER FAN	.	.	
080	14972 7415 C	SCREW FAN	.	.	
090	02112 5012C	BOLT	.	.	
100	04612 6012C	WASHER SPR NG	.	.	
10	01023-5001G	BOLT	.	.	
20	01023-5002C	BOLT	.	.	
130	14971-7412-C	COVER FAN	.	.	
140	01023-5066G	BOLT	.	.	
.	.	.	.	.	
.	.	.	.	.	
.	.	.	.	.	
.	.	.	.	.	
.	.	.	.	.	
.	.	.	.	.	
.	.	.	.	.	
.	.	.	.	.	
.	.	.	.	.	
.	.	.	.	.	
.	.	.	.	.	
.	.	.	.	.	
.	.	.	.	.	
.	.	.	.	.	
.	.	.	.	.	
.	.	.	.	.	



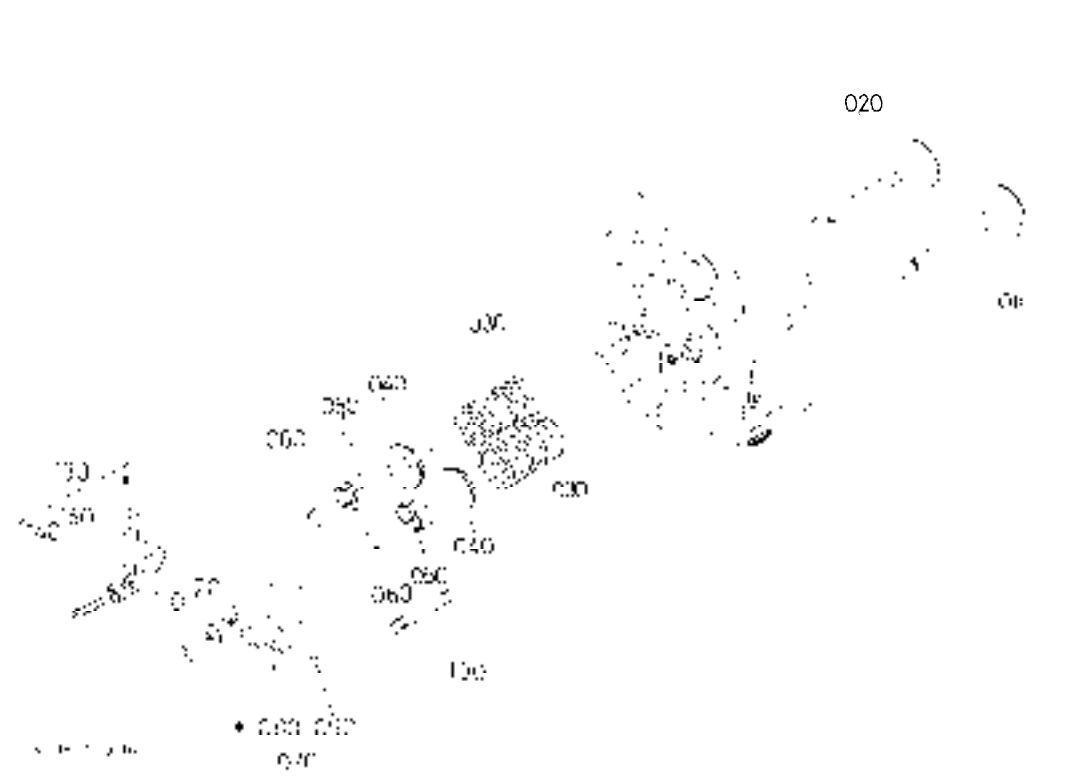
0506 TENSION PULLEY



A-6200-2 NH1

QTY	PART No	PART NAME	QTY		REMARKS
			A	F	
0	14971-7428-C	PULLEY TENSION	.	.	
020	01053 508*4	SCREW	.	.	
050	046*2 6008C	WASHER SPRING	.	.	
040	19791 970* C	SCREW	.	.	
050	14971 7430 2	ASSY PULLEY TENSION	.	.	
060	14541 7432 2	PULLEY TENSION	.	.	
070	14971 744* C	SUPPORT TENSION PULLEY	.	.	
080	14971 7477 C	CAP	.	.	
090	070L2 5008C	WASHER	.	.	
100	046*2 6008C	WASHER SPRING	.	.	
10	14971-0 3* C	BOLT PEANER	.	.	
20	14971-7430-2	ASSY PULLEY TENSION	.	.	
30	05122-508*5	PIN JOINT	.	.	
40	040*2-5008C	WASHER PLAIN	.	.	
50	055*1-502*5	PIN SP. T.	.	.	
60	19791-7494-C	BOLT TENSION	.	.	
70	020*4-5008C	WASHER	.	.	
80	14971 7495 2	GL. OF TENSION BOLT	.	.	
90	01053 508*2	SCREW	.	.	
			.	.	
			.	.	
			.	.	
			.	.	
			.	.	
			.	.	

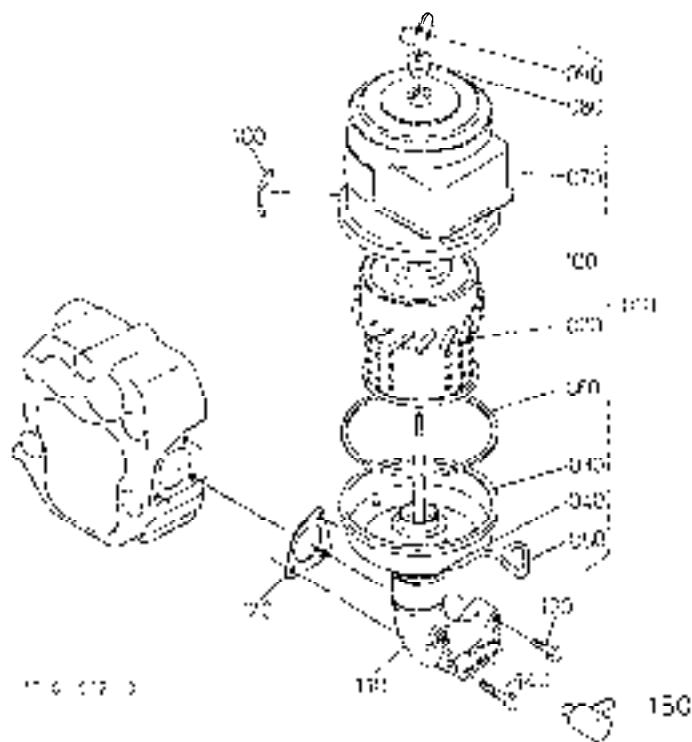
# 0600 VALVE AND ROCKER ARM



A-63001-2 NH1

QTY	PART No	PART NAME	QTY		REMARKS
			A	B	
010	14972-1311-C	VALVE INTAKE	.	.	
020	14972-1312-C	VALVE EXHAUST	.	.	
030	16201-1324-C	SPRING VALVE	.	.	
040	16201-1353-C	RETAINER SPRING	.	.	
050	16201-1356-C	COLLET VALVE SPRING	.	.	
060	16241-1326-C	COMP VALVE	.	.	
070	14971-1405-C	COMP BRACKET R ARM	.	.	
080	14971-1406-C	COMP SHAFT ROCKERARM	.	.	
090	05410 00005	SCREEN SET	.	.	
100	16201-1441-C	STUD	.	.	
110	16201-0201-C	NUT	.	.	
120	16201-0401-C	WASHER PLAIN	.	.	
130	15271-1403-C	ASSY ROCKER ARM	.	.	
140	15201-1423-2	SCREW ADJUSTING	.	.	
150	15201-1424-C	NUT	.	.	
.	.	.	.	.	
.	.	.	.	.	
.	.	.	.	.	
.	.	.	.	.	
.	.	.	.	.	
.	.	.	.	.	
.	.	.	.	.	
.	.	.	.	.	
.	.	.	.	.	
.	.	.	.	.	
.	.	.	.	.	
.	.	.	.	.	
.	.	.	.	.	
.	.	.	.	.	
.	.	.	.	.	
.	.	.	.	.	
.	.	.	.	.	
.	.	.	.	.	
.	.	.	.	.	
.	.	.	.	.	

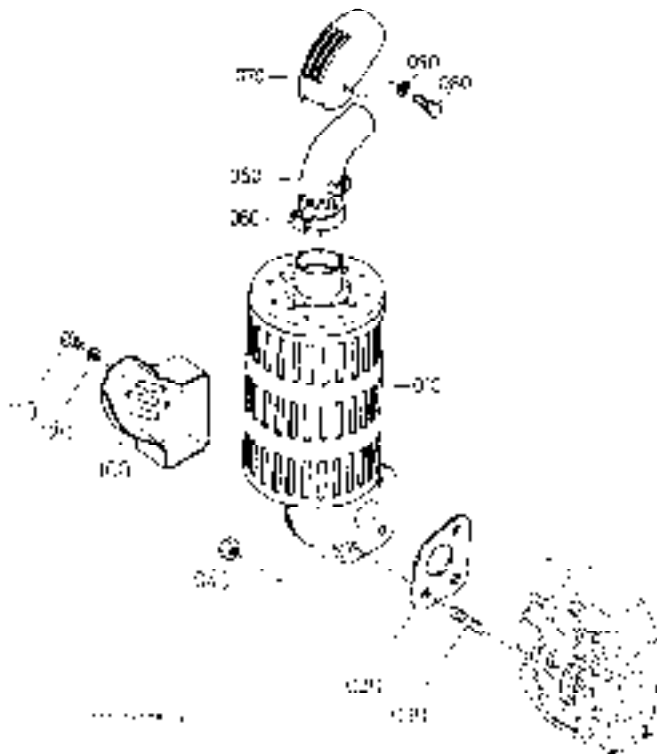
# 0603 AIR CLEANER



EN 7-1001-2 NH1

QTY	PART No	PART NAME	QTY		REMARKS
			A	B	
010	14971-1101-2	ASSY C-AIR AIR			
020	14971-1108-0	EL-ELE AIR CLEANER			
030	14971-1105-0	COMP BODY			
040	14971-1152-0	O RING			
050	14971-1146-0	SEAL FITTING			
060	14971-1117-0	GASKET			
070	14971-1110-0	COMP CASE			
080	14971-1192-0	SHOVEL			
090	14971-1155-0	WAL NUT			
100	14971-284L-0	LABEL			
110	14971-1014-0	FLANGE AIR CLEANER			
120	14971-1010-0	PACKING FLANG			
130	01023-50622	WAL NUT			
140	01023-50632	WAL NUT			
150	10101-0556-0	JOINT BRACKET			

0605 MUFFLER



A-61001-7 NH1

QTY	PART No	PART NAME	QTY IN KIT		REMARKS
			A	B	
010	14971-211-2	MUFFLER AS B.ACK	.	.	
020	1468E-1220 C	GASKET MUFFLER	.	.	
030	01513-5081 B	STUD	2	.	
040	02114-5008C	NUT	2	.	
050	14911-1241 2	PIPE MUFFLER	.	.	
060	14431-1243 C	BRND PIPE	.	.	
070	14911-1247 C	COVER MUFFLER PIPE	.	.	
080	01013-5000B	BOLT	2	.	
090	04612-6000C	WASHER SPR NG	2	.	
100	14911-1272 C	COVER MUFFLER FLANGE	.	.	
110	01013-5000B	BOLT	.	.	
120	04612-6000C	WASHER SPR NG	.	.	
			.	.	
			.	.	
			.	.	
			.	.	
			.	.	
			.	.	
			.	.	
			.	.	
			.	.	
			.	.	
			.	.	
			.	.	

# 0800 GLOW LAMP AND TIMER (OPTION)

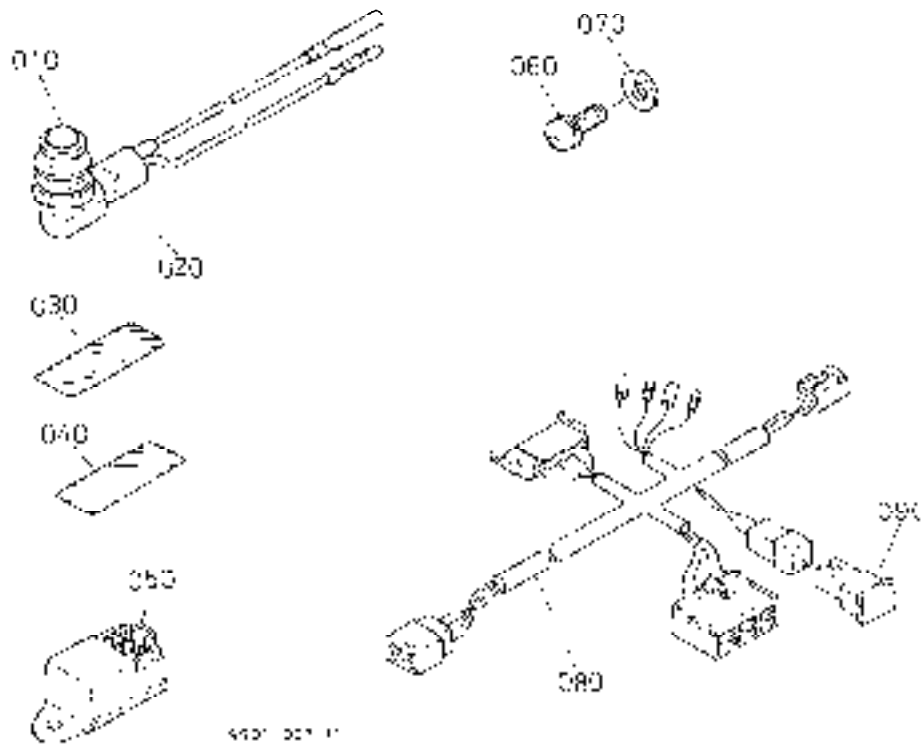
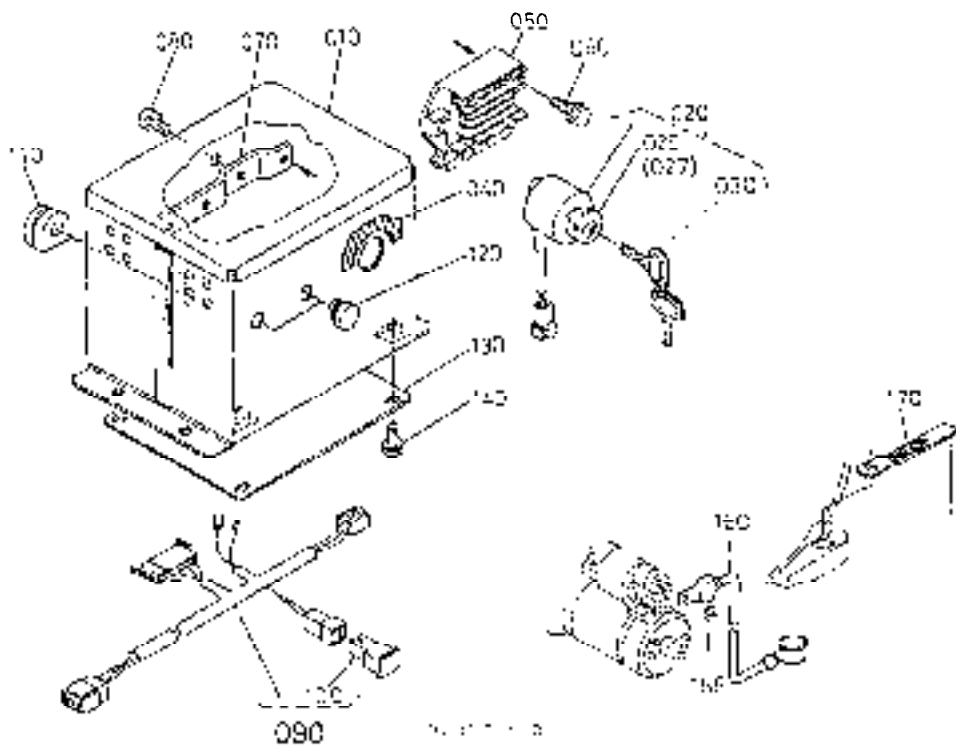


ILLUSTRATION 2

QTY	PART No	PART NAME	QTY		REMARKS
			A	B	
	010	6671-5529-C ASSY LAMP G	1		
	020	3450-3459-C NUT	1		
	030	1011-8854-C WASH G LAMP			
	040	1011-8855-C WASH GLOW LAMP			
	050	10654-6599-C TIMER GLOW LAMP			
	060	03024-5067-2 WASH G LAMP			
	070	0402-5000-C WASH PLATE			
	080	1011-8587-C WIRE HARNESS			
	090	1011-8572-C FUSE			

Copyright © 2000 Kubota Corporation. All rights reserved.

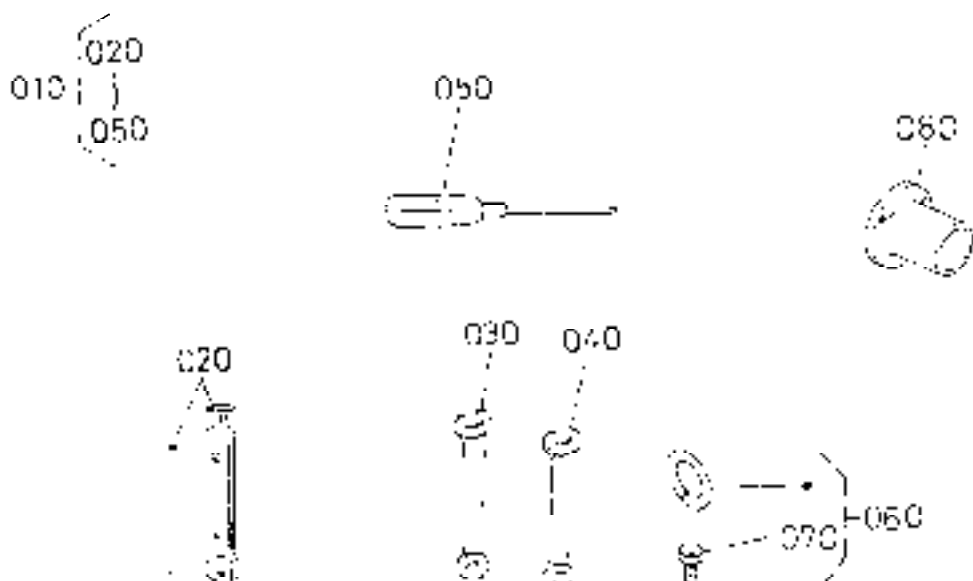
# 0802 CONTROL BOX AND METER



A-6301-7 NH1

QTY	PART No	PART NAME	QTY		REMARKS
			A	B	
010	6111-6364-C	BOX SWITCH			
020	3740-5911-C	ASSY SWITCH STARTER			
025	3740-5516-C	SWITCH STARTER SWITCH			
027	6640-5517-C	WASHER			
050	3740-5515-C	STARTER			
040	11420-8752-C	LABEL SWITCH STARTER			
060	1447E-6400-C	ASSY REGULATOR			
060	017E4-5001-B	SOLE FLANGE			
070	6111-6401-C	METER REGULATOR			
080	01202-5001-C	SOLET			
090	6111-6581-C	WIRE HARNESS			
095	6111-6572-C	FLUSH			
110	1495E-6585-C	GROUPT			
120	1495E-6581-C	GAP			
130	6111-6365-C	COVER SWITCH BOX			
140	01202-5016-C	SOLET			
150	----	BLANK			
160	15377-6556-C	GROUND BATTERY			
165	04012-50060	WASHER PLAIN			
170	6420E-4172-C	GROUND BATTERY			

0808 ACCESSORIES AND SERVICE PARTS



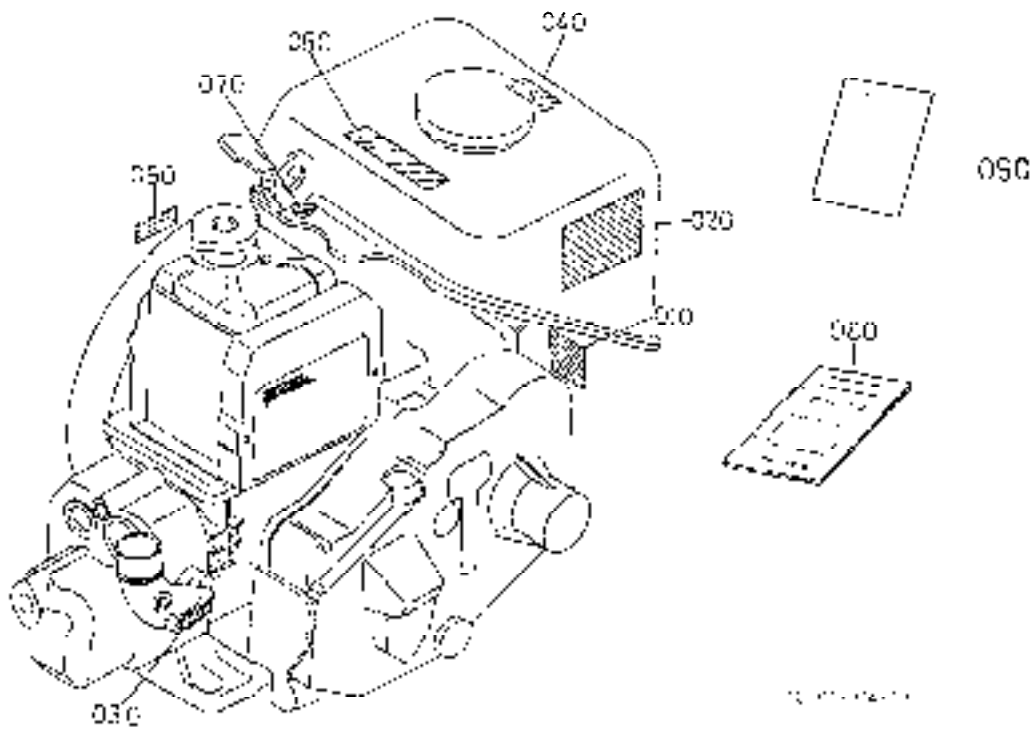
16110-C08-10

A-4301-7-NH1

P/N	PART No	PART NAME	QTY		REMARKS
			A	B	
010	11251-860-C	ASSY BRKTS	.	.	
020	14331 9137 C	SPANK-R BSK	.	.	
030	070-2 110-2	SPANK-R	.	.	
040	070-2 114-7	SPANK-R	.	.	
050	0711E 56143	SCREWDR VER CROSS	.	.	
060	14972 0176 C	ASSY BSL HOOK ENGIN	.	.	P/O
070	02114 5008C	NUT	.	.	P/O
080	14972 8619 C	WASHER FLAT	.	.	P/O
.	.	.	.	.	
.	.	.	.	.	
.	.	.	.	.	
.	.	.	.	.	
.	.	.	.	.	
.	.	.	.	.	

⇒ 16110-C08-10 ⇒ 16110-C08-10 ⇒ 16110-C08-10 ⇒ 16110-C08-10

# 0809 LABEL AND OPERATOR'S MANUAL



8-6211-2-50

P	PART NO	PART NAME	QTY		REMARKS
			A	B	
010	16791 8577 C	WASHER 100 V	.	.	
020	19111 8627 C	WASHER 100 V	.	.	
030	14133 6072 C	WASHER 100 V	.	.	
040	11151 8770 C	WASHER 100 V	.	.	
050	14722 6622 C	WASHER 100 V	.	.	
060	11131 8747 C	WASHER 100 V	.	.	
070	19157 8636 C	WASHER 100 V	.	.	
080	10532 8975 7	OPERATOR'S MANUAL	1	1	
090	10532 8975 8	OPERATOR'S MANUAL	1	1	
100	16571 8987 4	VOLTAGE SELECTION	.	.	
	.	.	.	.	
	.	.	.	.	
	.	.	.	.	
	.	.	.	.	
	.	.	.	.	
	.	.	.	.	
	.	.	.	.	
	.	.	.	.	
	.	.	.	.	
	.	.	.	.	
	.	.	.	.	
	.	.	.	.	



## NUMERICAL INDEX

PART No	PAGE	REF No	PART No	PAGE	REF No	PART No	PAGE	REF No	PART No	PAGE	REF No
591E1 3314 0	5	030	02059 50050	4	030	07115 5E143	24	050	14279 7411 0	27	030
01023-50E12	3	150	02059-50050	9	070	07115-0020	19	030	14301-3053-0	1	030
	4	100		14	140	07115-0150	5	050		3	020
	8	030	02112-50080	24	250	07115-03205	15	150	14301-3095-0	1	070
	12	120	02112-50120	27	030	06318-88080	3	200	14301-6631-0	4	110
	20	130	02114-50080	23	050	06550-2535	10	130	14301-6137-0	34	020
01093-50E14	4	180		31	040	06654-50300	3	130	14474-6460-0	33	050
	12	070		34	070	11050-3227-0	5	020	14471-1243-0	31	060
	16	050	02115-50080	17	030	11131-7903-0	28	070	14474-6072-0	35	030
01093-50E16	8	060	02761-50040	18	030	11131-8724-0	26	075	14541-7432-2	23	060
	10	080	03024-50E12	32	030	11131-8741-0	35	050	14541-5685-0	9	020
	10	150	03024-50408	3	100	11151-5783-0	17	010	14595-3031-0	2	100
	15	020	03024 02414	24	240	11151 6220 0	10	150	14595 0413 0	3	050
	26	140	03024-50510	3	170	11151-8719-0	35	040	14595-0472-0	1	170
	27	110	03024 02514	16	100	11251 8601 0	24	010	14595 0543 0	3	130
01093 50E18	23	030	03410 02606	23	030	11420 0501 2	3	030	14595 1223 0	31	020
01093 50E20	26	100	04012 00060	16	030	11420 2E43 0	7	020	14595 7245 0	26	080
	27	120	04012 00080	14	180	11420 2E91 0	5	070	14611 2609 0	25	010
01023 50E22	15	060		17	030	11420 6752 0	23	040	14799 6822 0	35	050
	22	110		28	140	11992 6122 0	8	070	14911 1146 0	30	050
	30	130	04012 00080	33	155	12521 4103 0	22	050	14911 1153 0	30	090
01023 50E25	1	140	04013 00040	19	070	12521 4134 0	22	030	14911 1192 0	30	080
01023 50E32	30	140	04013 00060	14	150	12545 4135 0	22	040	14911 1241 2	31	050
01023-50E35	1	130		32	070	13671-4171-0	22	020	14911-1247-0	31	070
	2	050	04013 00080	22	030	13671 4177 0	22	030	14911 2620 0	13	030
01023-50E50	27	140	04012-00050	4	150	14107-5134-0	15	110	14911-3211-0	5	010
01023-50E55	9	070		9	030	14107-6227-0	10	130	14911-3540-0	7	010
01023-50E90	3	030		13	100	14111-4241-0	21	050	14911-3545-0	7	030
01053-50E12	11	140		26	050	14278-2105-0	12	010		9	030
01053-50E36	31	030		28	030	14279-6301-0	23	010	14911-3695-0	5	060
	31	110	04512-60060	31	030	14279-6301-0	24	010	14911-4275-0	21	020
01053-50E14	13	030		31	170	14278-6303-0	24	050		21	040
	28	020	04512-60080	23	070	14278-6304-0	24	040	14911-5132-0	15	100
01055-50E25	17	030		28	100	14278-6305-0	24	130	14911-5528-0	16	020
01055-50E30	17	050	04512-60120	27	100	14278-6307-0	24	030	14911-5531-0	16	060
01123 50E20	22	070	04E11 00500	9	100	14278 6311 0	24	020	14911 5648 0	16	140
01123-50E30	12	030	04E12-00160	13	220	14278-6318-0	24	220	14911-7477-0	23	030
01123 50E40	21	190	04724 00100	16	170	14278 6319 0	24	210	14911 5493 0	1	060
	22	030		25	030	14273 6220 0	24	030	14911 6635 0	2	030
01133-51E30	23	040	04724-00160	5	030	14278-6325-0	24	030	14913-5766-0	17	060
	23	030	04E11 11050	9	040	14273 6232 0	24	230	14913 5767 0	17	070
	23	140	04E15 00070	14	110	14273 6233 0	24	110	14941 2324 0	11	100
01202 50E12	8	030	04E15 00080	1	030	14273 6239 0	24	170	14953 6535 0	33	110
01222 50E10	14	030	04E15 00100	21	130	14273 6245 0	24	150	14958 6587 0	33	120
01513 50E16	31	030	04E15 00300	21	130	14273 6251 0	24	130	14971 0101 3	1	010
01513 50E16	26	040	04E15 00100	21	114	14273 6252 0	24	200	14971 0231 0	1	090
01513 50E20	9	030	04E17 50300	5	040	14273 6293 2	23	020	14971 0235 0	1	100
01754-50E12	7	040	05012-00612	1	040	14273-6201-0	24	250	14971-0341-2	2	070
01754 50E14	15	030	05012 00614	23	050	14273 8401 0	24	270	14971 0471 0	1	110
01754-50E16	33	050	05122-50916	29	130	14273-9015-0	24	070	14971-0537-0	3	150
	26	030	05411-00412	1	050	14273-0174-0	26	150	14971-0538-0	3	160
01754-50E20	9	050	05411-00612	2	040	14273-2133-0	12	050	14971-0547-0	3	140
01820-50E35	26	120	05511-50215	29	150	14273-4113-2	22	100	14971-1101-2	30	010
02012-50E50	14	130	05712-00510	10	210	14273-4201-0	21	010	14971-1103-0	30	030
02014-50E50	4	140	05712-00515	11	150	14273-4220-0	21	050	14971-1110-0	30	070
	17	040	05712-00518	13	070	14273-4250-0	21	030	14971-1117-0	30	060
	26	050	06311-75027	7	070	14273-6505-0	23	030	14971-1118-0	30	020
	28	170	06321-50010	16	110	14273-7221-0	28	130	14971-1142-0	30	040
02052-50E30	28	030	07012-11012	34	030	14273-7401-0	27	010	14971-1161-4	30	110
02054 50E40	3	110	07012 1417	34	040	14273 7410 0	27	020	14971 1165 0	30	120

## NUMERICAL INDEX

PART No	PAGE	REF No	PART No	PAGE	REF No	PART No	PAGE	REF No	PART No	PAGE	REF No
14971-1211-2	31	310	14971-7430-2	29	350	15841-5317-0	19	040	17016-6325-0	24	060
14971-1272-0	31	100	14971-7436-2	29	120	15841-5323-0	19	030	16077-6365-0	19	030
14971-1455-0	29	070	14971-7441-0	29	070		19	100		20	120
14971-1456-0	29	090	14971-7493-2	29	190	15841-5335-0	19	050	16090-1539-0	15	040
14971-1451-2	4	010	14971-8045-0	30	100	15841-5352-2	18	020	16104-6111-2	9	040
14971-1452-0	4	020	14971-9131-0	29	110		20	110	16142-6501-0	12	100
14971-1511-0	10	070	14972-0178-0	34	050	15841-5393-0	19	070	16151-6827-0	35	020
14971-1601-0	10	030	14972-3111-0	29	010	15841-5810-0	19	030	16197-6036-0	35	070
14971-1615-0	10	040	14972-312-0	28	020	15841-5851-0	19	100	16215-6351-2	7	080
14971-1677-0	10	070	14972-5654-0	14	080	15841-5852-0	19	100	16531-6451-0	12	080
						15841-5853-0	19	100	16532-6815-1	35	080
14971-1681-0	10	050	14972-7414-0	27	040	15841-5854-0	19	100	16701-7494-0	28	160
14971-2301-4	11	090	14972-7415-0	27	080	15841-5855-0	19	100	16701-9635-0	4	170
14971-2239-0	12	040	14972-7417-0	27	050	15841-5856-0	19	100	16701-9635-0	4	170
14971-2337-2	12	050	14972-7424-0	27	070	15841-5857-0	19	100	16701-9635-0	4	170
14971-2245-0	11	110	14972-7425-0	27	090	15841-5858-0	19	100	16701-9635-0	4	170
14971-2255-0	9	090	14972-8519-0	34	090	15841-5859-0	19	100	16701-9635-0	4	170
14971-2259-0	11	130	14981-0404-2	9	010	15841-5860-0	19	100	16701-9635-0	4	170
14971-2290-0	11	170	14981-2346-0	11	120	15841-5861-0	19	100	16701-9635-0	4	170
14971-2401-0	10	090	14981-9601-0	12	030	15841-5862-0	19	100	16701-9635-0	4	170
14971-2411-0	11	150	15109-5366-0	14	040	15841-5863-0	19	100	16701-9635-0	4	170
						15841-5864-0	19	100	16701-9635-0	4	170
14971-2425-0	10	140	15221-9492-0	24	150	15841-5865-0	19	100	16701-9635-0	4	170
14971-2521-2	12	110	15231-6202-2	24	140	15841-5866-0	19	100	16701-9635-0	4	170
14971-2625-0	13	010	15261-3224-0	29	030	15841-5867-0	19	100	16701-9635-0	4	170
14971-2023-0	13	020	15261-3336-0	29	050	15841-5868-0	19	100	16701-9635-0	4	170
14971-2644-0	13	040	15261-423-2	29	140	15841-5869-0	19	100	16701-9635-0	4	170
14971-2045-0	13	050	15261-1424-0	29	150	15841-5870-0	19	100	16701-9635-0	4	170
14971-2045-0	13	050	15261-1441-0	29	100	15841-5871-0	20	100	16701-9635-0	4	170
14971-2671-0	1	020	15261-1462-0	4	030	15841-5872-0	20	100	16701-9635-0	4	170
14971-2681-0	13	080	15261-1463-0	4	050				16701-9635-0	4	170
14971-3575-0	9	110	15261-1464-0	4	040	15841-5873-0	20	100	16701-9635-0	4	170
						15841-5874-0	20	100	16701-9635-0	4	170
14971-3577-0	9	120	15261-2131-0	11	030	15841-5875-0	20	100	16701-9635-0	4	170
14971-3611-2	25	070	15261-2133-0	11	040	15841-5876-0	20	100	16701-9635-0	4	170
14971-3641-0	6	010	15261-2198-0	11	080	15841-5877-0	20	100	16701-9635-0	4	170
14971-4202-0	21	030	15261-2432-0	13	130	15841-5878-0	20	100	16701-9635-0	4	170
14971-4275-0	21	070	15261-2436-0	13	110	15841-5879-0	20	100	16701-9635-0	4	170
	21	090	15261-2437-0	13	120	15841-5880-0	20	100	16701-9635-0	4	170
14971-4282-2	15	010	15261-2498-0	13	100	15841-5881-0	20	100	16701-9635-0	4	170
14971-4301-0	21	100	15261-5422-0	14	030	15841-5882-0	20	100	16701-9635-0	4	170
14971-4251-0	21	110	15261-6035-0	4	070	15841-5883-0	20	100	16701-9635-0	4	170
14971-5211-0	15	030	15261-6063-0	4	160	15841-5884-0	20	100	16701-9635-0	4	170
						15841-5885-0	20	100	16701-9635-0	4	170
14971-5212-0	15	040	15261-9201-0	29	110	15841-5886-0	20	100	16701-9635-0	4	170
14971-5325-2	15	080	15261-9401-0	29	120	15841-5887-0	20	100	16701-9635-0	4	170
14971-5505-2	16	010	15261-9501-0	14	100	15841-5888-0	20	100	16701-9635-0	4	170
14971-5604-0	16	070	15263-5738-0	14	120	15841-5889-0	20	100	16701-9635-0	4	170
14971-5614-0	16	090	15263-6664-0	4	170	15841-5890-0	20	100	16701-9635-0	4	170
14971-5641-0	16	130	15271-1403-0	29	130	15841-5891-0	20	100	16701-9635-0	4	170
14971-5704-0	14	070	15271-1624-0	10	050	15841-5892-0	20	100	16701-9635-0	4	170
14971-5723-0	14	090	15272-6757-0	21	200	15841-5893-0	20	100	16701-9635-0	4	170
14971-0123-4	2	050		23	090	15841-5894-0	20	100	16701-9635-0	4	170
14971-0212-0	10	200	15321-6325-0	24	190	15841-5895-0	20	100	16701-9635-0	4	170
						15841-5896-0	20	100	16701-9635-0	4	170
14971-0021-0	4	130	15377-6556-0	33	160	16221-5442-0	17	020	34265-4172-0	33	170
14971-6623-0	3	030	15391-2214-0	11	070	16241-1328-0	23	090	66416-5511-0	33	020
14971-6632-2	4	080	15391-2105-0	11	020	16251-1333-0	23	040	66711-5529-0	32	010
14971-6635-2	4	090	15392-2111-0	11	010	16251-1334-0	2	050			
14971-7205-2	26	010	15694-2201-0	11	050	16251-1335-0	2	060			
14971-7212-0	26	030	15694-2201-0	11	080	16251-1336-0	2	070			
14971-7214-0	26	070	15694-2207-0	11	090	16251-1337-0	2	080			
14971-7225-0	26	110	15694-2208-0	11	090	16251-1338-0	2	090			
14971-7412-0	27	130	15694-6599-0	32	050	16251-1339-0	2	100			
14971-7493-0	28	010	15841-5316-0	19	060	16251-1340-0	2	110			

# KUBOTA

## THE BASIC NECESSITIES GIANT

"Technology for the Needs of Tomorrow" is the ambition of everyone at KUBOTA. Through research and the development of new products for agriculture, industry, construction, and many other areas of modern life, we at KUBOTA hope to realize this goal.

PRINTED IN JAPAN

<https://www.boat-manuals.com/kubota/>