

HONDA
MARINE

BF115A Owner's Manual



Includes US and Canadian Models

<https://www.boat-manuals.com/>



Keep this Owner's Manual handy, so you can refer to it at any time. This Owner's Manual is considered a permanent part of the outboard motor and should remain with the outboard motor if resold.

© 2009 Honda Motor Co., Ltd. — All Rights Reserved

The information and specifications included in this publication were in effect at the time of approval for printing. Honda Motor Co., Ltd. reserves the right, however, to discontinue or change specifications or design at any time without notice and without incurring any obligation whatever. No part of this publication may be reproduced without written permission.

Congratulations on your selection of a Honda outboard motor. We are certain you will be pleased with your purchase of one of the finest outboard motors on the market.

We want to help you get the best results from your new outboard motor and to operate it safely. This manual contains information on how to do that; please read it carefully.

As you read this manual you will find information preceded by a

NOTICE symbol. That information is intended to help you avoid damage to your outboard motor, other property, or the environment.

We suggest you read the warranty policy to fully understand its coverage and your responsibilities of ownership.

When your outboard motor needs scheduled maintenance, keep in mind that your Honda Marine dealer is specially trained in servicing Honda outboard motors. Your Honda Marine dealer is dedicated to your satisfaction and will be pleased to answer your questions and concerns.

Best Wishes,
Honda Motor Co., Ltd.

INTRODUCTION


A FEW WORDS ABOUT SAFETY

Your safety and the safety of others are very important. And using this outboard motor safely is an important responsibility.

To help you make informed decisions about safety, we have provided operating procedures and other information on labels and in this manual. This information alerts you to potential hazards that could hurt you or others.

Of course, it is not practical or possible to warn you about all the hazards associated with operating or maintaining an outboard motor. You must use your own good judgment.

You will find important safety information in a variety of forms, including:

- **Safety Labels** — on the outboard motor.
- **Safety Messages** — preceded by a safety alert symbol  and one of three signal words, DANGER, WARNING, or CAUTION.

These signal words mean:

 **DANGER**

You **WILL** be **KILLED** or **SERIOUSLY HURT** if you don't follow instructions.

 **WARNING**

You **CAN** be **KILLED** or **SERIOUSLY HURT** if you don't follow instructions.

 **CAUTION**

You **CAN** be **HURT** if you don't follow instructions.

- **Safety Headings** — such as *IMPORTANT SAFETY INFORMATION*.
- **Safety Section** — such as *OUTBOARD MOTOR SAFETY*.
- **Instructions** — how to use this outboard motor correctly and safely.

This entire book is filled with important safety information — please read it carefully.

CONTENTS

OUTBOARD MOTOR SAFETY.....	7	Top-Mount Type	
IMPORTANT SAFETY INFORMATION.....	7	Ignition Switch.....	26
SAFETY LABEL LOCATIONS.....	9	Emergency Stop Switch Clip and Emergency	
		Stop Switch.....	26
CONTROLS AND FEATURES.....	13	Gearshift/Throttle Control Lever.....	27
CONTROL AND FEATURE IDENTIFICATION		Fast Idle Button.....	29
CODES.....	13	Common Controls	
COMPONENT AND CONTROL LOCATIONS.....	14	Power Trim/Tilt Switch.....	30
CONTROLS.....	19	Power Tilt Switch.....	31
Side-Mount Type		Manual Relief Valve.....	31
Ignition Switch.....	19	Tilt Lock Lever.....	31
Emergency Stop Switch Clip and Emergency		Engine Cover Lock Levers.....	32
Stop Switch.....	20	Transom Angle Adjusting Rod.....	32
Gearshift/Throttle Control Lever.....	20	Trim Tab.....	33
Fast Idle Lever.....	21	INSTRUMENTS.....	33
Panel-Mount Type		Trim Meter [standard equipment (Canadian	
Ignition Switch.....	22	types)], [optional equipment (US, Puerto Rico,	
Emergency Stop Switch Clip and Emergency		and US Virgin Islands types)].....	33
Stop Switch.....	23	Tachometer [standard equipment (Canadian	
Gearshift/Throttle Control Lever.....	24	types)], [optional equipment (US, Puerto Rico,	
Fast Idle Button.....	25	and US Virgin Islands types)].....	33
		Digital Tachometer (optional equipment).....	34
		Digital Speedometer (optional equipment).....	34
		Fuel Gauge (optional equipment).....	34

CONTENTS

INDICATORS.....	35	OPERATION	41
Alternator (ACG) Indicator.....	35	SAFE OPERATING PRECAUTIONS	41
Malfunction Indicator	35	BREAK-IN PROCEDURE.....	41
Oil Pressure Indicator.....	35	TRANSOM ANGLE ADJUSTMENT	42
Overheat Indicator.....	36	PORTABLE FUEL TANK (optional equipment).....	43
Cooling System Indicator	37	FUEL HOSE CONNECTIONS.....	43
OTHER FEATURES	37	FUEL PRIMING.....	44
Overrev Limiter.....	37	STARTING THE ENGINE	44
Anodes.....	37	Side-Mount Type	44
Portable Fuel Tank (optional equipment).....	38	Panel-Mount Type.....	47
Fuel Filler Cap Vent Knob (optional equipment)..	38	Top-Mount Type	50
Fuel Priming Bulb.....	38	STOPPING THE ENGINE.....	53
BEFORE OPERATION.....	39	Emergency Engine Stopping	53
ARE YOU READY TO GET UNDERWAY?.....	39	Normal Engine Stopping.....	53
IS YOUR OUTBOARD MOTOR		GEARSHIFT AND THROTTLE OPERATION	55
READY TO GO?.....	39	STEERING	56
		CRUISING.....	57
		SHALLOW WATER OPERATION.....	59
		MOORING, BEACHING, LAUNCHING.....	59

SERVICING YOUR OUTBOARD MOTOR.....	61	REFUELING.....	76
THE IMPORTANCE OF MAINTENANCE.....	61	FUEL RECOMMENDATIONS.....	77
MAINTENANCE SAFETY.....	62	Fuel Filter Inspection and Replacement.....	77
TOOL KIT.....	63	Portable Fuel Tank and	
MAINTENANCE SCHEDULE.....	64	Filter Cleaning (optional equipment).....	80
TRIM TAB ADJUSTMENT.....	66	Anode Replacement.....	81
MANUAL RELIEF VALVE.....	67	Water Separator Inspection and Service.....	81
ENGINE COVER REMOVAL AND		Propeller Replacement.....	83
INSTALLATION.....	67		
Lock Lever Adjustment.....	68	STORAGE.....	85
Lock Lever Bracket Adjustment.....	68	STORAGE PREPARATION.....	85
Engine Oil Level Check.....	69	Cleaning and Flushing.....	85
Engine Oil Change.....	70	Fuel.....	87
Oil Filter Change.....	71	Engine Oil.....	88
Engine Oil Recommendations.....	72	HOISTING THE OUTBOARD MOTOR.....	89
Lubrication Points.....	73	STORAGE PRECAUTIONS.....	89
Spark Plug Service.....	74	REMOVAL FROM STORAGE.....	90

CONTENTS

TRANSPORTING	91
WITH OUTBOARD MOTOR INSTALLED ON BOAT	91
WITH OUTBOARD MOTOR REMOVED FROM BOAT	91
TAKING CARE OF UNEXPECTED PROBLEMS.....	92
ELECTRIC STARTER WILL NOT OPERATE	92
ENGINE WILL NOT START	93
HARD STARTING OR STALLS AFTER STARTING	95
ENGINE OVERHEATS	96
BATTERY WILL NOT CHARGE AND ELECTRIC STARTER WILL NOT OPERATE.....	97
OIL PRESSURE INDICATOR GOES OFF AND ENGINE SPEED IS LIMITED	99
OVERHEAT INDICATOR COMES ON AND ENGINE SPEED IS LIMITED	100
SUBMERGED MOTOR	102

TECHNICAL AND CONSUMER INFORMATION.....	104
TECHNICAL INFORMATION.....	104
Serial Number Locations	104
Battery	105
Emission Control System Information	106
Star Label	109
Specifications	111
CONSUMER INFORMATION	112
Honda Publications	112
Customer Service Information.....	112
Warranty statement	115
Distributor's Limited Warranty	115
Emission Control System Warranty	119
Distributor's Warranty	123
INDEX.....	126

OUTBOARD MOTOR SAFETY

IMPORTANT SAFETY INFORMATION

The Honda BF115A outboard motor is designed for use with boats that have a suitable manufacturer's power recommendation. Other uses can result in injury to the operator or damage to the outboard motor and other property.

Most injuries or property damage can be prevented if you follow all instructions in this manual and on the outboard motor. The most common hazards are discussed in this chapter, along with the best way to protect yourself and others.

Operator Responsibility

- It is the operator's responsibility to provide the necessary safeguards to protect people and property. Know how to stop the engine quickly in case of emergency. Understand the use of all controls.
- Stop the engine immediately if anyone falls overboard, and do not run the engine while the boat is near anyone in the water.
- Always stop the engine if you must leave the controls for any reason.
- Attach the emergency stop switch lanyard securely to the operator.
- Always wear a PFD (Personal Flotation Device) while on the boat.
- Familiarize yourself with all laws and regulations relating to boating and the use of outboard motors.
- Be sure that anyone who operates the outboard motor receives proper instruction.
- Be sure the outboard motor is properly mounted on the boat.
- Do not remove the engine cover while the engine is running.

OUTBOARD MOTOR SAFETY

Refuel With Care

- Gasoline is extremely flammable, and gasoline vapor can explode. Refuel outdoors, in a well-ventilated area, with the engine stopped. Never smoke near gasoline, and keep other flames and sparks away.
- Remove any portable fuel tank from the boat for refueling. Keep the portable fuel tank away from the battery or other potential spark sources.
- Refuel carefully to avoid spilling fuel. Avoid overfilling the fuel tank.
- After refueling, tighten the fuel tank cap securely. If any fuel is spilled, make sure the area is dry before starting the engine.

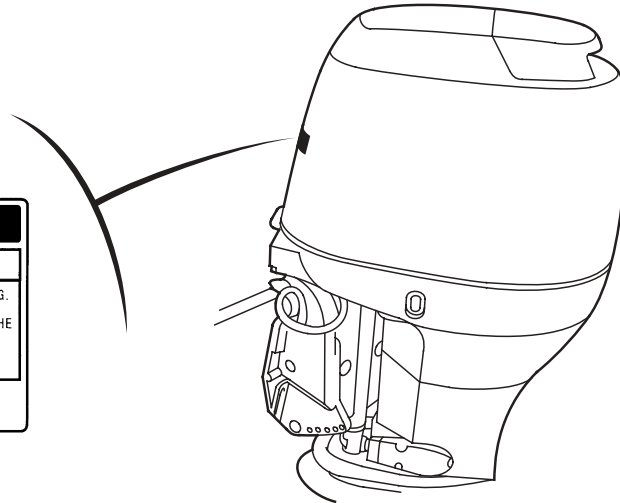
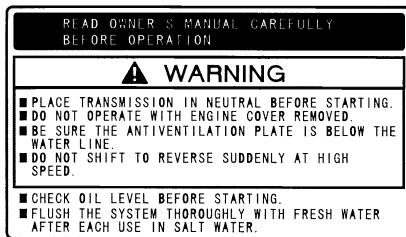
Carbon Monoxide Hazard

Exhaust contains poisonous carbon monoxide, a colorless, odorless gas. Breathing carbon monoxide can cause loss of consciousness and may lead to death.

If you run the engine in an area that is confined, or even partly enclosed, the air you breathe could contain a dangerous amount of exhaust gas.

Never run your outboard inside a garage or other enclosure.

SAFETY LABEL LOCATIONS US, Puerto Rico, and US Virgin Islands Types

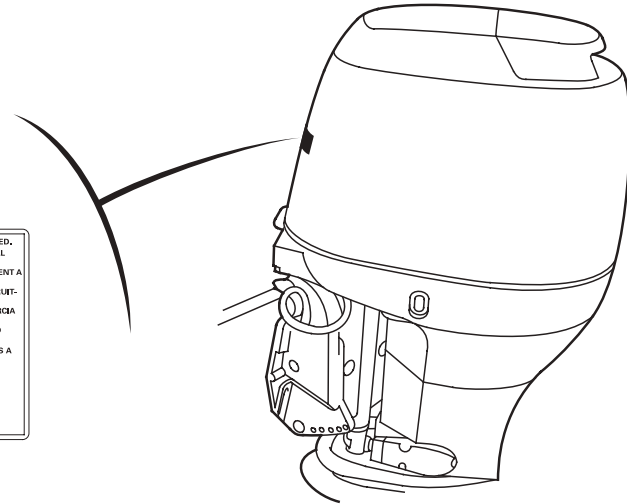
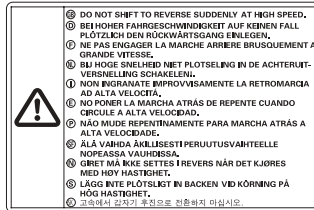


The labels shown here contain important safety information. Please read them carefully. These labels are considered permanent parts of your outboard motor. If a label comes off or becomes hard to read, contact an authorized Honda Marine dealer for a replacement.

OUTBOARD MOTOR SAFETY

Canadian Types

READ OWNER'S MANUAL



The labels shown here contain important safety information. Please read them carefully. These labels are considered permanent parts of your outboard motor. If a label comes off or becomes hard to read, contact an authorized Honda Marine dealer for a replacement.

OUTBOARD MOTOR SAFETY

PORTABLE FUEL TANK (optional equipment)

GASOLINE

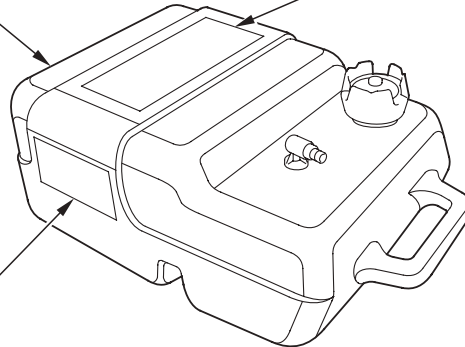
EXTREMELY FLAMMABLE
FOR USE AS A MOTOR FUEL. MUST NOT CONTAIN LEAD AND HIGH COMPOUNDS

DANGER

HARMFUL OR FATAL IF SWALLOWED. KEEP OUT OF REACH OF CHILDREN. IF SWALLOWED, DO NOT INDUCE VOMITING. CALL A PHYSICIAN IMMEDIATELY.

CAUTION

KEEP TOTALLY CLOSED WHEN NOT IN USE. KEEP AWAY FROM HEAT, SPARKS AND OPEN FLAME. SECURE ABOVE DECK IN WELL VENTILATED AREA. DO NOT USE FOR LONG TERM FUEL STORAGE. DO NOT USE FUEL-OIL MIXTURE. FOLLOW MOTOR MANUFACTURER'S RECOMMENDATIONS.



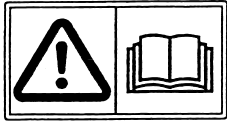
FUEL CAUTION

FLAMMABLE DANGEROUS
GASOLINE
REMOVE FROM BOAT FOR FILLING

INFLAMMABLE DANGEREUX
GAZOLINE
SOBTIR DU BATEAU POUR REFAIRE LE PLEIN D'ESSENCE

OUTBOARD MOTOR SAFETY

Canadian Types



- Honda outboard motor is designed to give safe and dependable service if operated according to instructions. Read and understand the Owner's Manual before operating the outboard motor. Failure to do so could result in personal injury or equipment damage.



- Gasoline is harmful or fatal if swallowed. Keep the fuel tank out of reach of children.
- Gasoline is extremely flammable and is explosive under certain conditions. Refuel in a well-ventilated area with the engine stopped.
- Do not smoke or allow flames or sparks where the engine is refueled or where gasoline is stored.
- Do not overfill the fuel tank. After refueling make sure that the fuel tank cap is closed properly and securely.

- Be careful not to spill any fuel while refueling. Spilled fuel or fuel vapor may ignite. If any fuel is spilled, make sure that the area is dry before starting the engine.

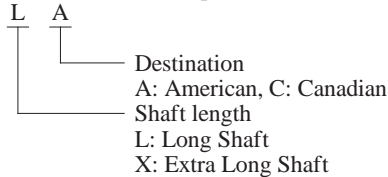
CONTROLS AND FEATURES

CONTROL AND FEATURE IDENTIFICATION CODES

Model	BF115A			
Type	LA	LC	XA	XC
Long Shaft	●	●		
Extra Long Shaft			●	●
Standard Rotating Propeller Shaft	●	●	●	●
Power Trim/Tilt	●	●	●	●

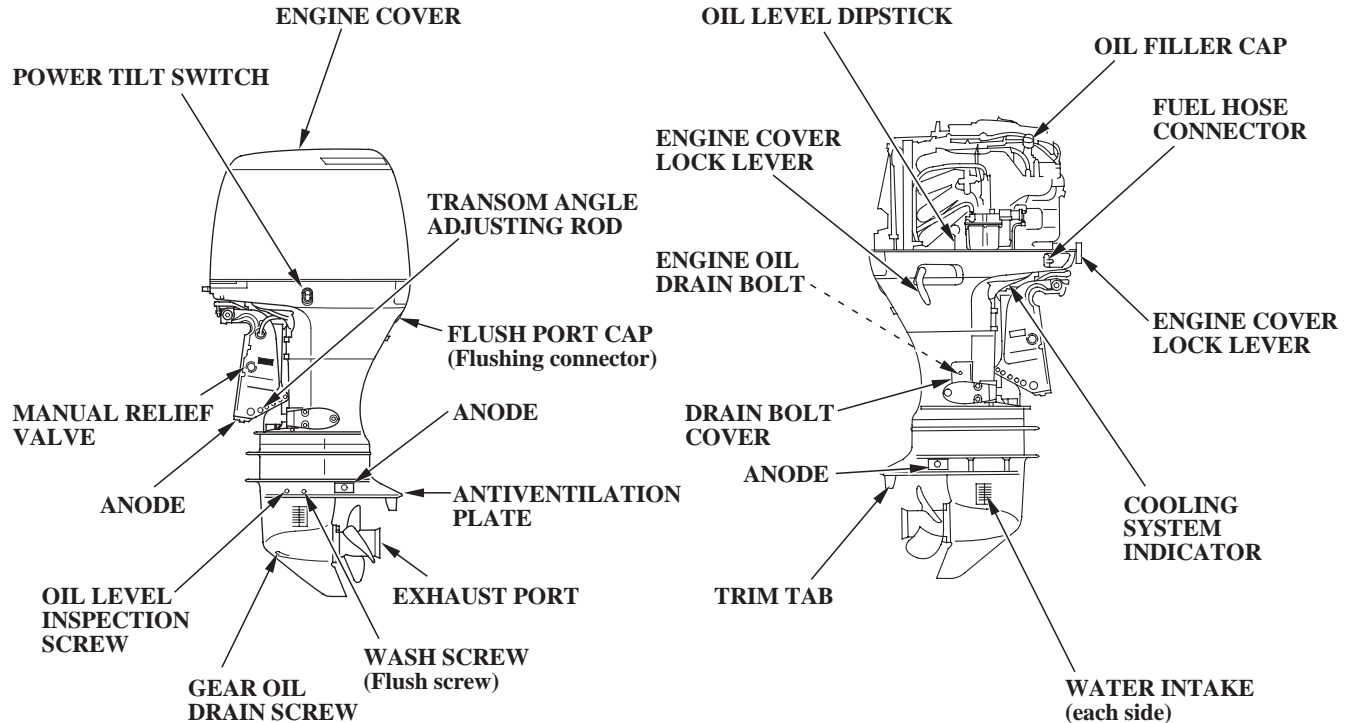
Refer to this chart for an explanation of the Type Codes used in this manual to identify control and feature applications.

TYPE CODE (example)



CONTROLS AND FEATURES

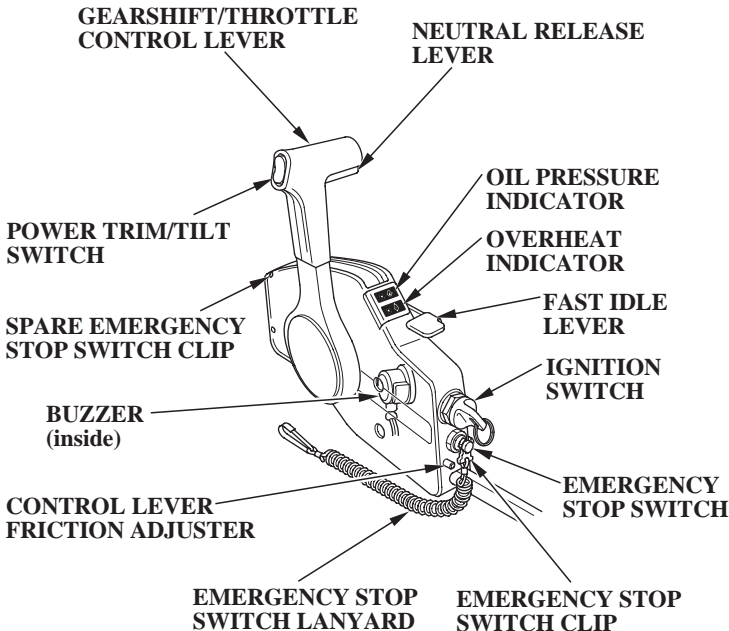
COMPONENT AND CONTROL LOCATIONS



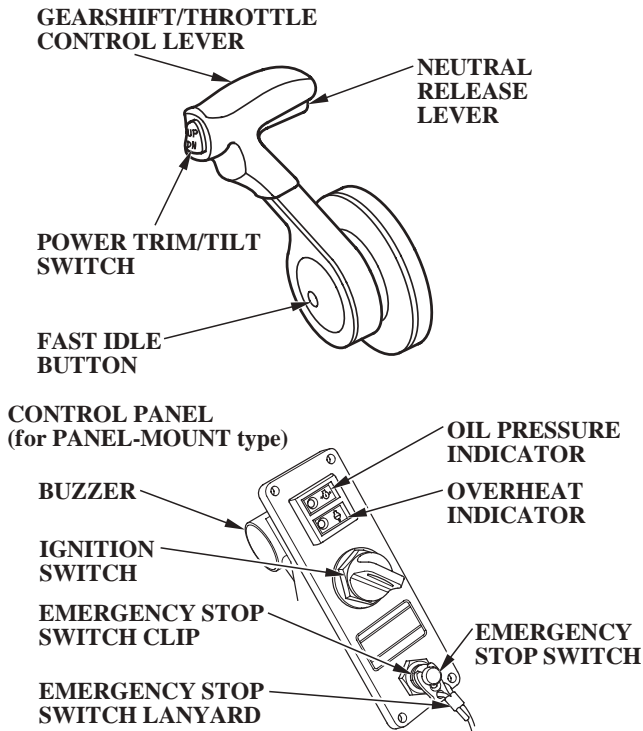
CONTROLS AND FEATURES

Remote Controls (optional equipment)

(SIDE-MOUNT REMOTE CONTROL)

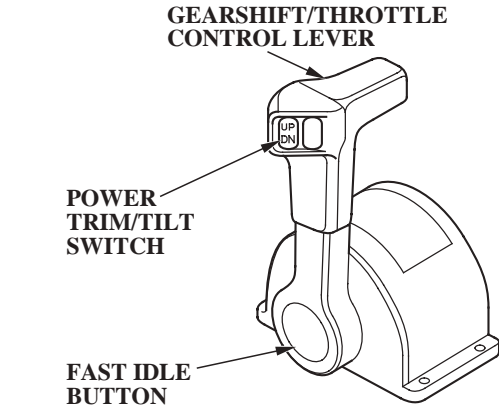


(PANEL-MOUNT REMOTE CONTROL)

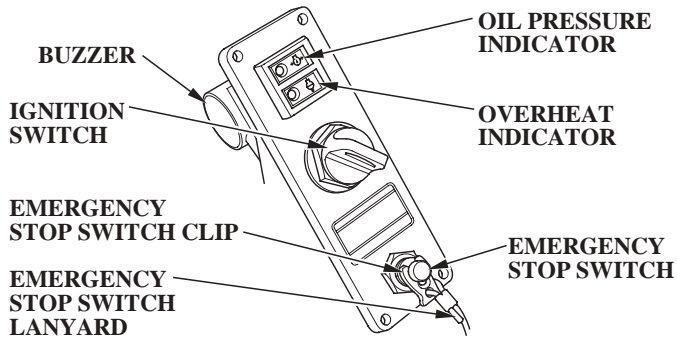


CONTROLS AND FEATURES

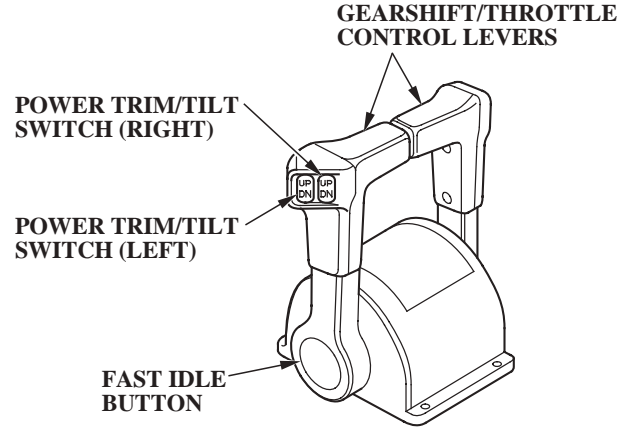
(SINGLE TOP-MOUNT REMOTE CONTROL)



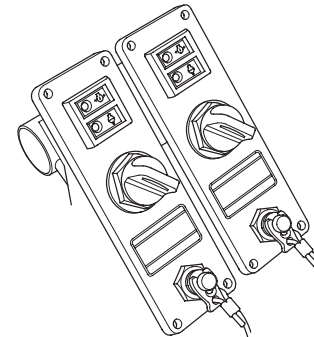
CONTROL PANEL
(for TOP-MOUNT SINGLE type)



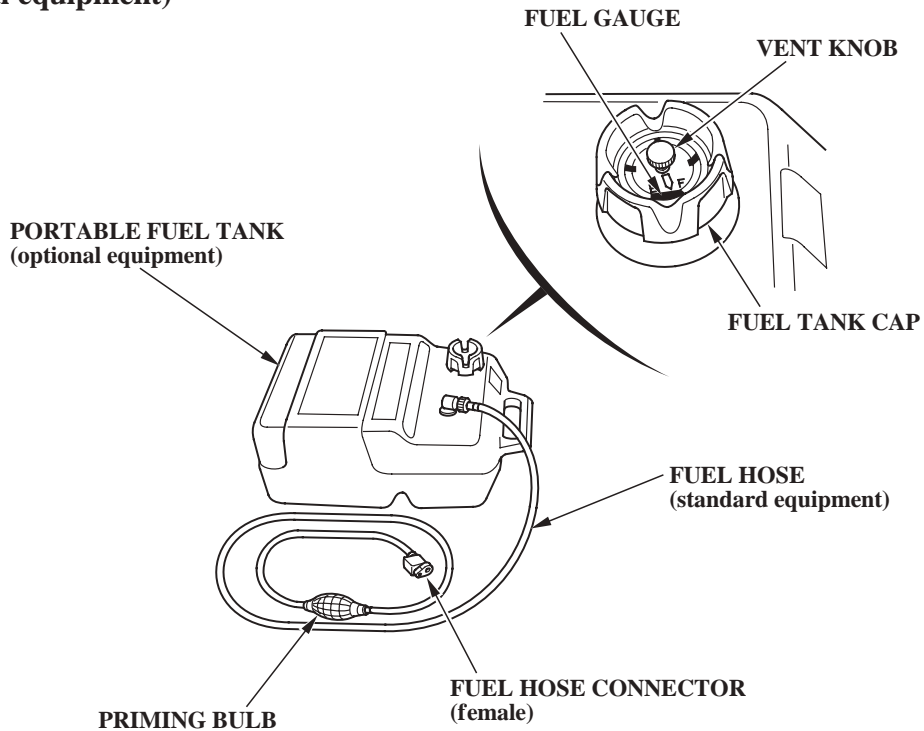
(DUAL TOP-MOUNT REMOTE CONTROL)



(for TOP-MOUNT DUAL type)



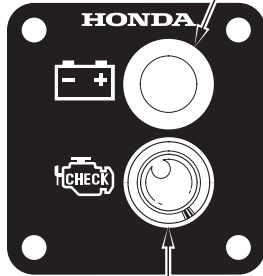
**Portable Fuel Tank
(optional equipment)**



CONTROLS AND FEATURES

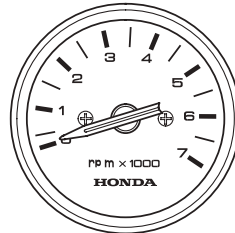
INDICATOR PANEL

ALTERNATOR (ACG) INDICATOR

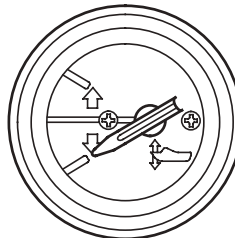


MALFUNCTION INDICATOR

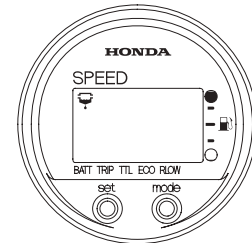
Tachometer
[standard equipment (Canadian types)]
[optional equipment (US, Puerto Rico, and US Virgin Islands types)]



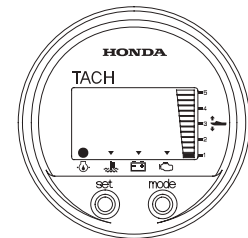
Trim Meter
[standard equipment (Canadian types)]
[optional equipment (US, Puerto Rico, and US Virgin Islands types)]



Digital Speedometer
(optional equipment)



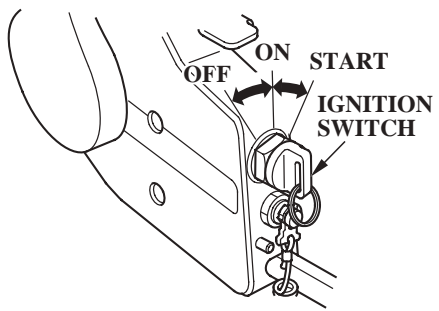
Digital Tachometer
(optional equipment)



CONTROLS

Side-Mount Type

Ignition Switch



The ignition switch controls the ignition system and the starter motor.

Turning the ignition switch key to the START position starts the engine. The key automatically returns to the ON position when released from the START position.

The engine will not start unless the gearshift/throttle control lever is in the N (neutral) position (p. 45) and the emergency stop switch clip is in the emergency stop switch.

Turning the ignition switch to the OFF position stops the engine.

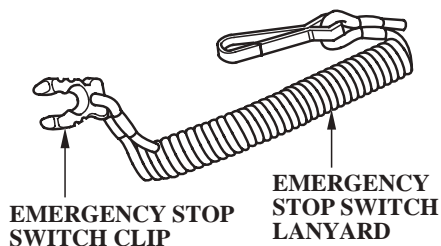
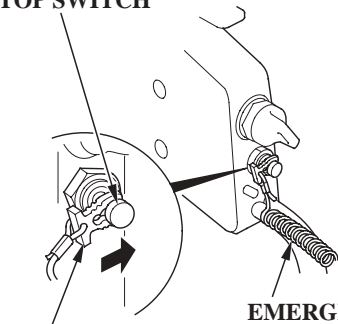
CONTROLS AND FEATURES

Emergency Stop Switch Clip and Emergency Stop Switch

EMERGENCY STOP SWITCH

EMERGENCY STOP SWITCH CLIP

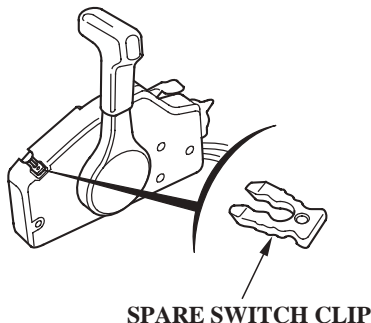
EMERGENCY STOP SWITCH LANYARD



The emergency stop switch clip must be inserted in the emergency stop switch in order for the engine to start and run. The emergency stop switch lanyard must be attached securely to the operator or to the operator's PFD (Personal Flotation Device).

When used as described, the emergency stop switch clip and emergency stop switch lanyard system stops the engine if the operator falls away from the controls.

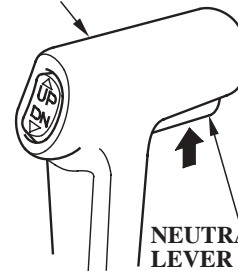
A spare switch clip is stored in a slot in the control housing (optional equipment).



SPARE SWITCH CLIP

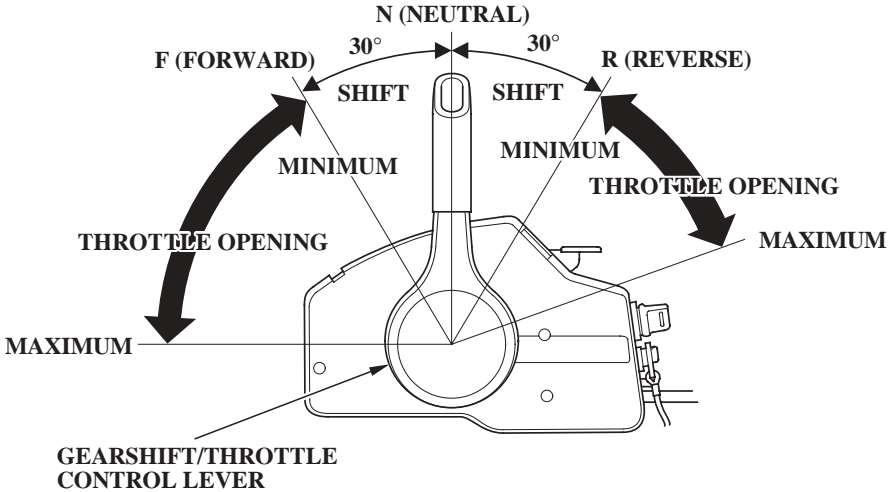
Gearshift/Throttle Control Lever

GEARSHIFT/THROTTLE CONTROL LEVER



NEUTRAL RELEASE LEVER

The gearshift/throttle control lever controls gear selection and throttle opening positions. It is necessary to pull up the neutral release lever to operate the control lever.



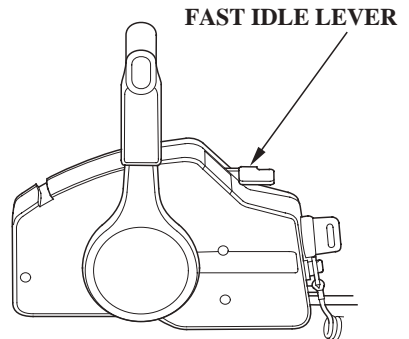
Moving the control lever 30° from N (neutral) selects the gear, and further movement increases engine speed.

The control lever automatically locks itself in the N (neutral) position. To move the lever out of the N (neutral) position, you must pull up the neutral release lever on the underside of the lever handle.

A friction adjuster near the base of the control lever adjusts the operating resistance of the control lever. Refer to p. 56.

Less friction allows easier control lever movement. More friction helps to hold a steady throttle setting while cruising.

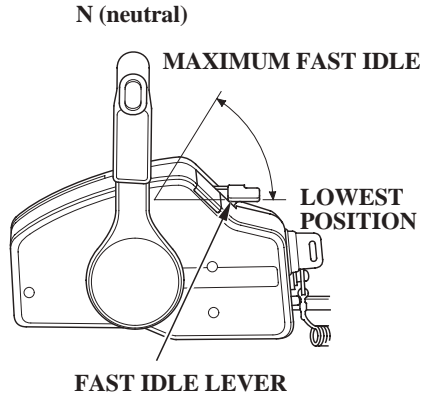
Fast Idle Lever



Use the fast idle lever to accelerate engine warm-up after starting the engine. Do not use the fast idle lever when starting the engine.

See page 46 for engine warm-up instructions.

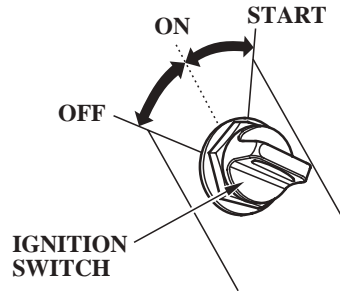
CONTROLS AND FEATURES



The fast idle lever allows you to increase the idle speed only when the control lever is in the N (neutral) position. Place the fast idle lever in its lowest position to cancel the fast idle and return the control lever to normal operation.

Panel-Mount Type

Ignition Switch



The ignition switch controls the ignition system and the starter motor.

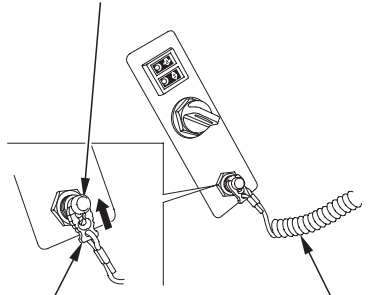
Turning the ignition switch key to the START position operates the starter motor. The key automatically returns to the ON position when released from the START position.

The engine will not start unless the gearshift/throttle control lever is in the N (neutral) position (p. 48) and the emergency stop switch clip is in the emergency stop switch.

Turning the ignition switch to the OFF position stops the engine.

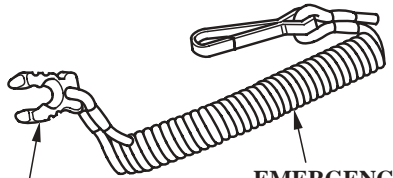
Emergency Stop Switch Clip and Emergency Stop Switch

EMERGENCY STOP SWITCH



EMERGENCY STOP SWITCH CLIP

EMERGENCY STOP SWITCH LANYARD



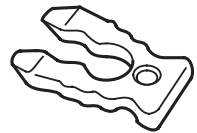
EMERGENCY STOP SWITCH CLIP

EMERGENCY STOP SWITCH LANYARD

The emergency stop switch clip must be inserted in the emergency stop switch in order for the engine to start and run. The emergency stop switch lanyard must be attached securely to the operator or to the operator's PFD (Personal Flotation Device).

When used as described, the emergency stop switch clip and emergency stop switch lanyard system stops the engine if the operator falls away from the controls.

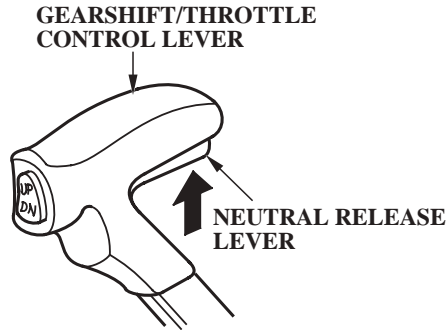
A spare switch clip (optional equipment) can be stored in the tool bag.



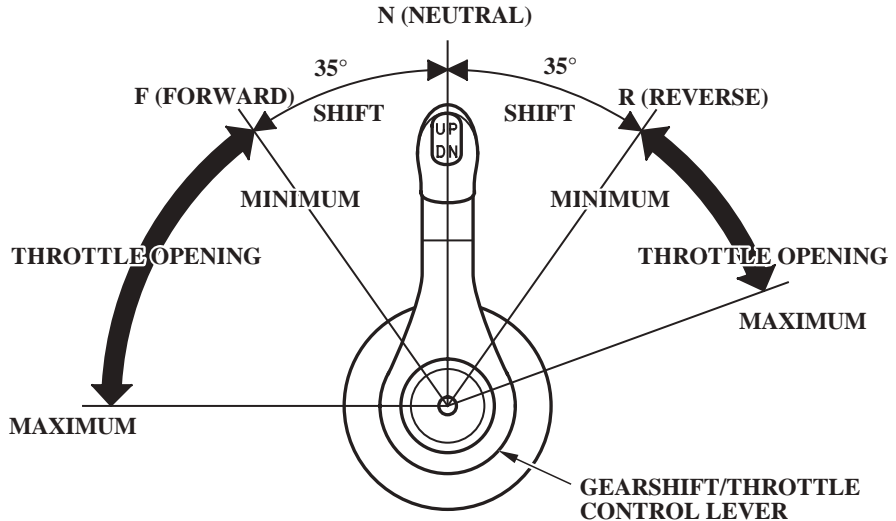
SPARE SWITCH CLIP
(optional equipment)

CONTROLS AND FEATURES

Gearshift/Throttle Control Lever



The gearshift/throttle control lever controls engine speed and selects F (forward), N (neutral), or R (reverse) gears.



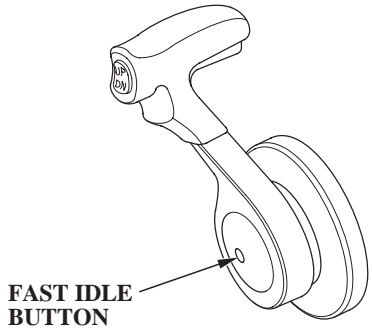
Moving the control lever 35° from N (neutral) selects the gear, and further movement increases engine speed.

The control lever automatically locks itself in the N (neutral) position. To move the lever out of the N (neutral) position, you must pull up the neutral release lever on the underside of the lever handle.

A friction adjuster near the base of the control lever adjusts the operating resistance of the control lever. Refer to p. 56.

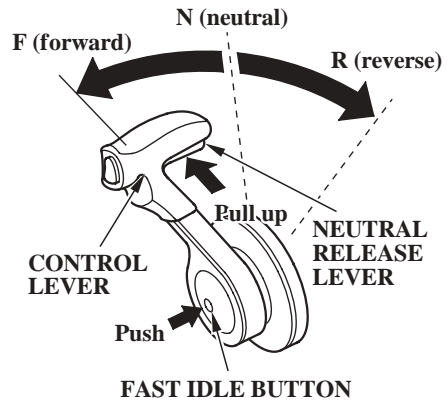
Less friction allows easier control lever movement. More friction helps to hold a steady throttle setting while cruising.

Fast Idle Button



Use the fast idle button to accelerate engine warm-up after starting the engine. Do not use the fast idle button when starting the engine.

See page 49 for engine warm-up instructions.



The fast idle button allows you to increase the idle speed without engaging the drive gears. Move the control lever forward or reverse after pushing in the fast idle button to increase the idle speed.

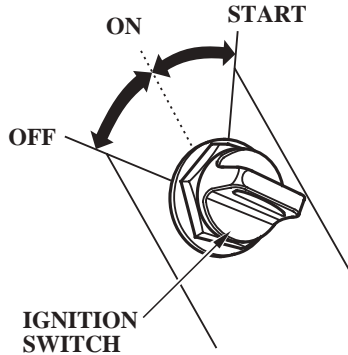
It is necessary to position the control lever in the N (neutral) position to push in the fast idle button.

Return the control lever to N position to cancel the fast idle operation.

CONTROLS AND FEATURES

Top-Mount Type

Ignition Switch



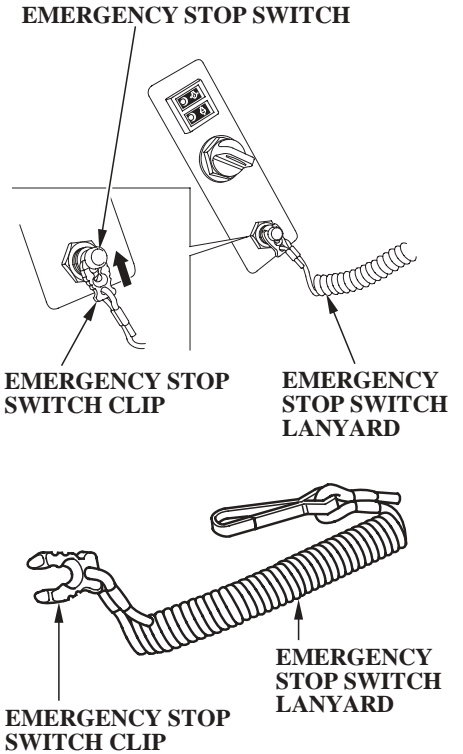
The ignition switch controls the ignition system and the starter motor.

Turning the ignition switch key to the START position operates the starter motor. The key automatically returns to the ON position when released from the START position.

The engine will not start unless the gearshift/throttle control lever is in the N (neutral) position (p. 50) and the emergency stop switch clip is in the emergency stop switch.

Turning the ignition switch to the OFF position stops the engine.

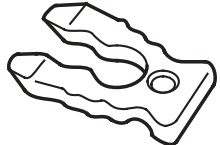
Emergency Stop Switch Clip and Emergency Stop Switch



The emergency stop switch clip must be inserted in the emergency stop switch in order for the engine to start and run. The emergency stop switch lanyard must be attached securely to the operator or to the operator's PFD (Personal Flotation Device).

When used as described, the emergency stop switch clip and emergency stop switch lanyard system stops the engine if the operator falls away from the controls.

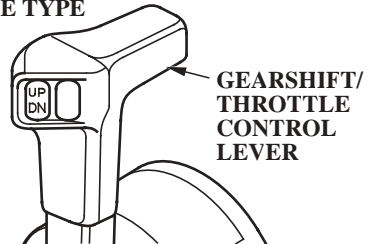
A spare switch clip (optional equipment) can be stored in the tool bag.



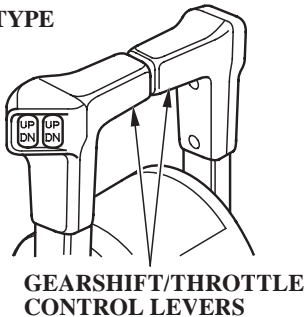
SPARE SWITCH CLIP
(optional equipment)

Gearshift/Throttle Control Lever

SINGLE TYPE



DUAL TYPE



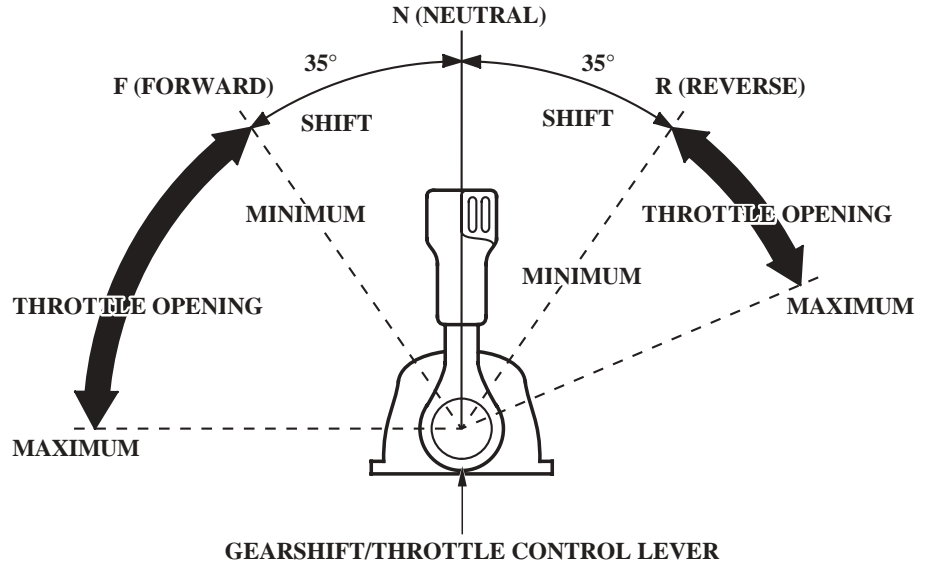
The gearshift/throttle control lever(s) controls engine speed and selects F (forward), N (neutral), or R (reverse) gears.

CONTROLS AND FEATURES

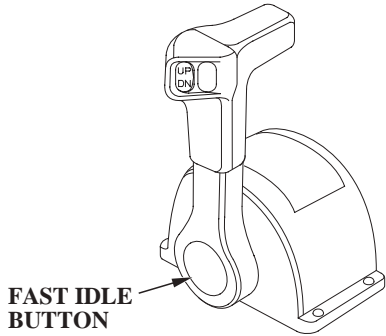
Moving the control lever 35° from N (neutral) selects the gear, and further movement increases engine speed.

A friction adjuster inside the control box adjusts the operating resistance of the control lever(s). Refer to p. 56.

Less friction allows easier control lever movement. More friction helps to hold a steady throttle setting while cruising.

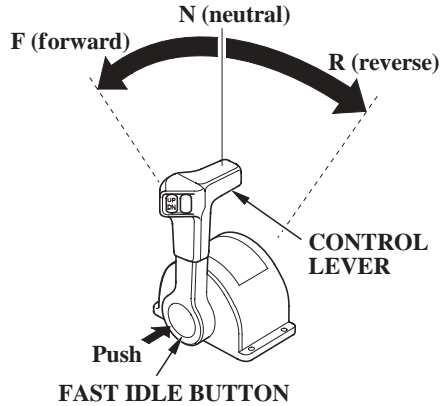


Fast Idle Button



Use the fast idle button to accelerate engine warm-up after starting the engine. Do not use the fast idle button when starting the engine.

See page 51 for engine warm-up instructions.



The fast idle button allows you to increase the idle speed without engaging the drive gears. Move the control lever forward or reverse after pushing in the fast idle button to increase the idle speed.

It is necessary to position the control lever in the N (neutral) position to push in the fast idle button.

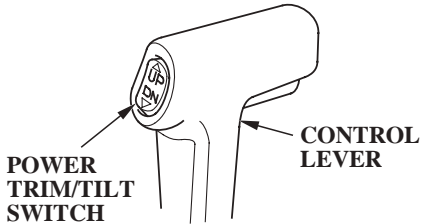
Return the control lever to N position to cancel the fast idle operation.

CONTROLS AND FEATURES

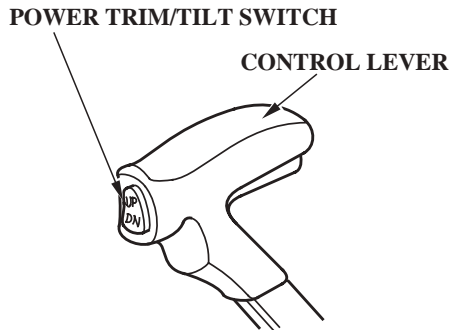
Common Controls

Power Trim/Tilt Switch

(side-mount type)



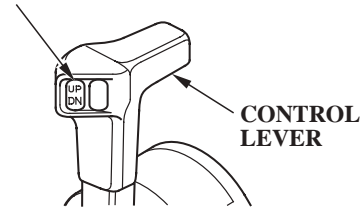
(panel-mount type)



(top-mount type)

SINGLE TYPE

POWER TRIM/TILT SWITCH

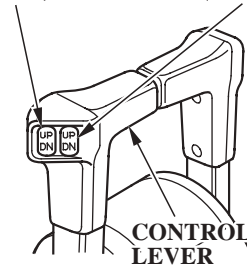


DUAL TYPE

POWER TRIM/TILT SWITCH

(LEFT)

(RIGHT)



The power trim/tilt switch is located on the control lever. It is a rocker switch with UP and DN (down) positions for changing the angle of the outboard motor.

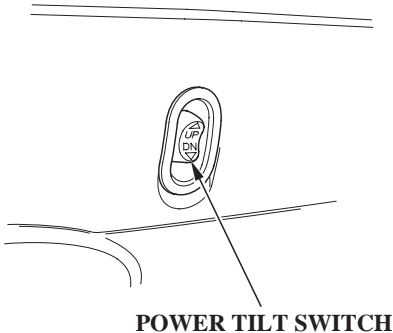
You can use the power trim/tilt switch anytime whether the boat is underway, stopped, or the ignition switch is in the OFF position. It is necessary for the ignition switch to be in the ON position for the trim meter to indicate the motor angle.

Trim the outboard motor to obtain the best performance and stability (p. 57).

Tilt the outboard motor for shallow water operation, beaching, launching, or mooring.

For dual mount outboard motors, tilt them up at the same time.

Power Tilt Switch

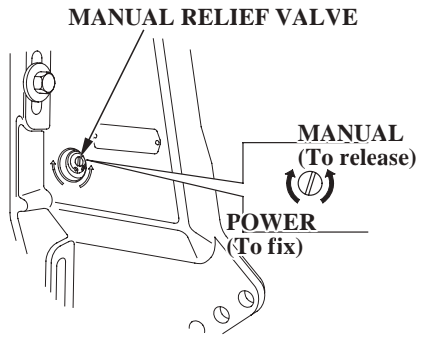


The power tilt switch is located on the engine pan. It is a rocker switch with UP and DN (down) positions for changing the angle of the outboard motor.

The power tilt switch will operate without turning the ignition switch ON.

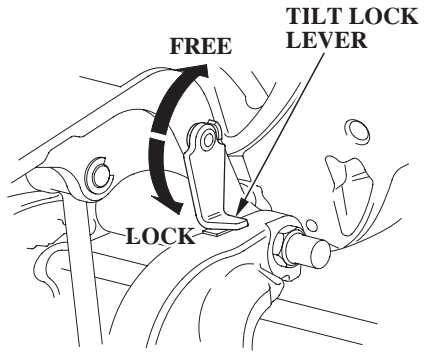
This switch is used with the engine stopped to raise the outboard motor for mooring, trailering, or maintenance.

Manual Relief Valve



The outboard motor can be tilted manually after opening the manual relief valve. This allows the outboard motor to be tilted up or down when no battery is connected.

Tilt Lock Lever

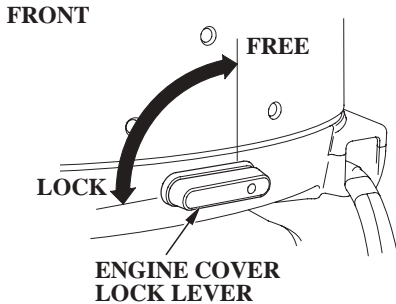
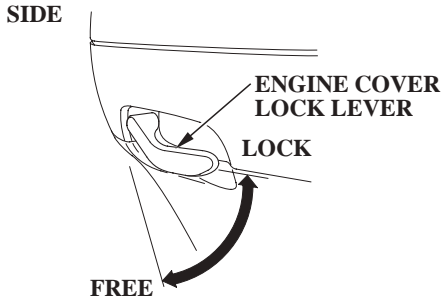


The tilt lock lever is used to support the outboard motor in the fully-raised position.

When the boat is to be moored for a long time, tilt the outboard motor up as far as it will go. Then move the tilt lock lever to the LOCK position, and gently lower the outboard motor until the lever contacts the stern bracket.

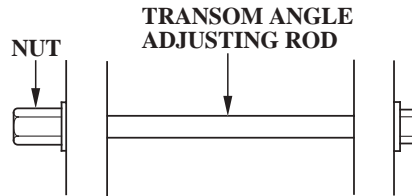
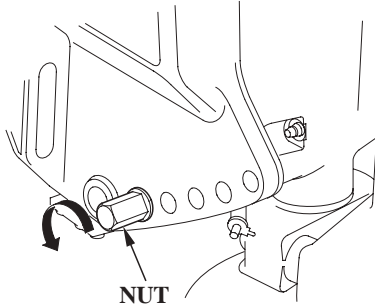
CONTROLS AND FEATURES

Engine Cover Lock Levers



The engine cover lock levers fasten the engine cover to the outboard motor.

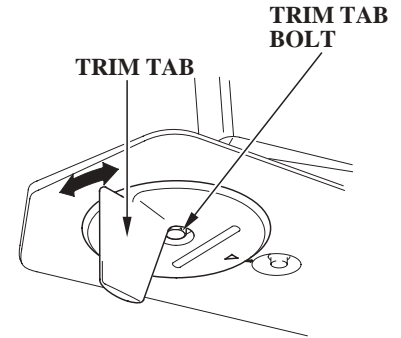
Transom Angle Adjusting Rod



The transom angle adjusting rod limits the tilt angle of the outboard motor when fully lowered.

Proper adjustment prevents the outboard motor from being trimmed too low (p. 57).

Trim Tab



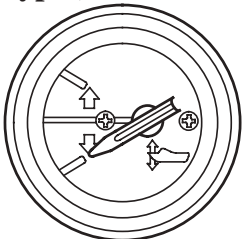
The trim tab compensates for “torque steer,” which is a reaction of the outboard motor to propeller rotation.

If uncompensated, torque steer would make the outboard motor tend to turn to one side.

When the trim tab is correctly adjusted (p. 66), steering effort is equal in either direction.

INSTRUMENTS

Trim Meter
[standard equipment (Canadian types)]
[optional equipment (US, Puerto Rico, and US Virgin Islands types)]

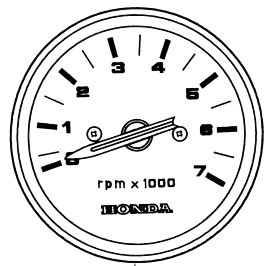


TRIM METER

The trim meter indicates the relative trim angle of the outboard motor.

Refer to the trim meter when using the power trim/tilt switch to achieve the best performance from the boat.

Tachometer
[standard equipment (Canadian types)]
[optional equipment (US, Puerto Rico, and US Virgin Islands types)]

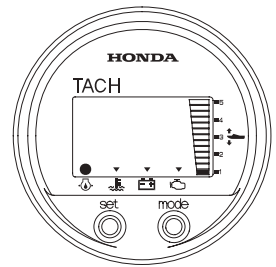


TACHOMETER

The tachometer shows engine speed in revolutions per minute.

Refer to the tachometer when using the throttle and power trim/tilt controls to achieve the best performance from the boat.

Digital Tachometer
(optional equipment)



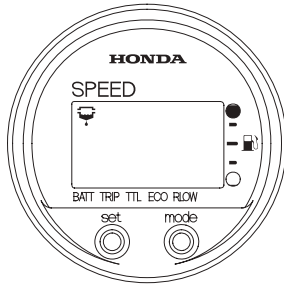
Digital Tachometer includes the following functions.

- Tachometer
- Hour Meter
- Trim Meter
- Oil Pressure Indicator
- Overheat Indicator
- ACG Indicator
- Malfunction Indicator

Refer to the Operation Guide included with the Digital Tachometer for operation information.

CONTROLS AND FEATURES

Digital Speedometer (optional equipment)

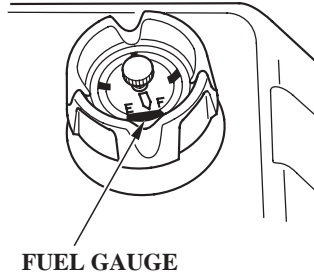


Digital Speedometer includes the following functions.

- Speedometer
- Fuel Level Meter
- Voltmeter
- Tripmeter
- Fuel Integration Meter
- Fuel Economy Meter
- Fuel Flow Meter

Refer to the Operation Guide included with the Digital Speedometer for operation information.

Fuel Gauge (optional equipment)



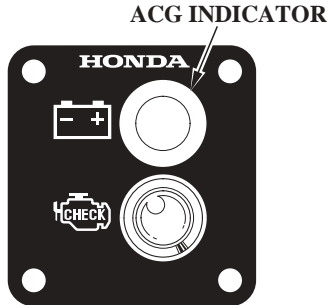
A fuel gauge is built into the cap of the portable fuel tank (optional equipment).

INDICATORS

The indicator lights come on and the buzzer sounds when you turn the ignition switch ON, allowing you to see that they are working. If an indicator does not light during this test, it cannot alert you if that system develops a problem. Have your Honda Marine dealer check for burned-out bulbs or other problems. Under normal conditions, the following occur when the ignition switch is turned ON:

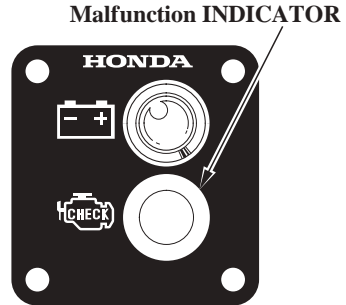
1. The ACG, Malfunction, Oil Pressure, and Overheat indicators light.
2. The buzzer will beep twice.
3. The Malfunction, Oil Pressure, and Overheat indicators will go out after the second beep.
4. The ACG indicator will go out after the engine starts.
5. The Oil Pressure indicator will light again after the engine starts and will stay lit to indicate the oil pressure is normal.

Alternator (ACG) Indicator



The ACG indicator turns on and the buzzer sounds in one-second intervals when the charging system is faulty.

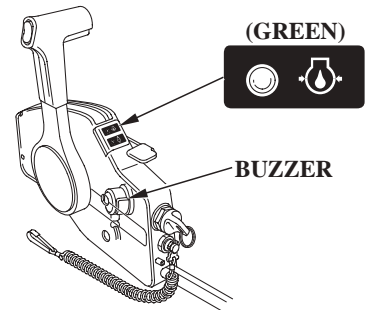
Malfunction Indicator



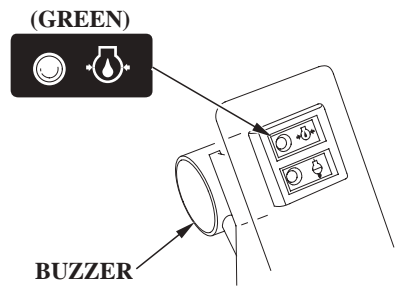
When the engine control system detects an engine control system malfunction, the malfunction indicator turns on and the buzzer sounds at one-second intervals.

Oil Pressure Indicator

(side-mount type)



(panel-mount/top-mount types)



CONTROLS AND FEATURES

When the oil pressure indicator is lit, oil pressure is OK.

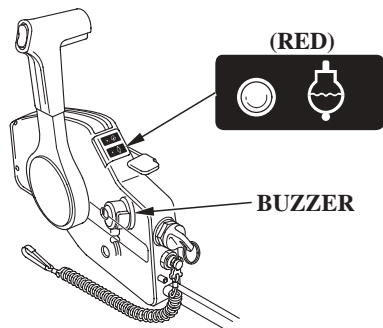
If oil pressure becomes low, the indicator will go off, and the engine protection system will limit engine speed. Refer to *TAKING CARE OF UNEXPECTED PROBLEMS*, on p. 99 .

All models are equipped with a buzzer that sounds continuously when the oil pressure indicator goes off.

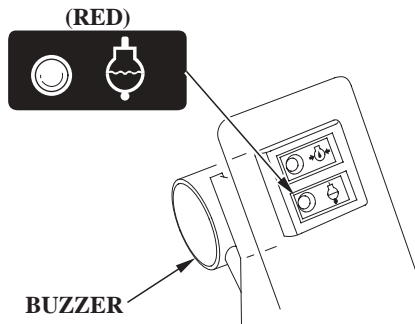
Low oil pressure indicates that the engine oil level is low or that there is a problem with the engine lubrication system.

Overheat Indicator

(side-mount type)



(panel-mount/top-mount types)

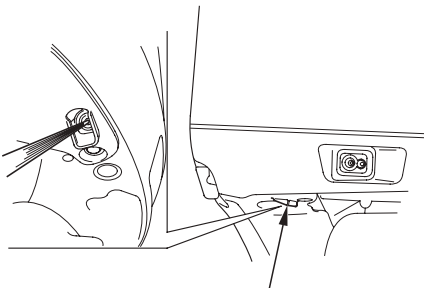


When the alert triggers, the overheat indicator comes on and the buzzer sounds a steady tone as the engine speed is reduced to 1,800 rpm. If the condition persists for another 10 seconds, the engine speed is reduced to 1,000 rpm. If the condition persists for another 10 seconds, the engine shuts off. Refer to *TAKING CARE OF UNEXPECTED PROBLEMS*, on p. 100.

All models are equipped with a buzzer that sounds continuously when the red light comes on.

Engine overheating may be the result of clogged water intakes.

Cooling System Indicator



COOLING SYSTEM INDICATOR

Water should flow from the cooling system indicator while the engine is running. This shows that water is circulating through the cooling system.

If water stops flowing while the engine is running, that indicates a cooling system problem, such as clogged water intakes, which will cause engine overheating.

The cooling system indicator discharge port can also become plugged.

OTHER FEATURES

Overrev Limiter

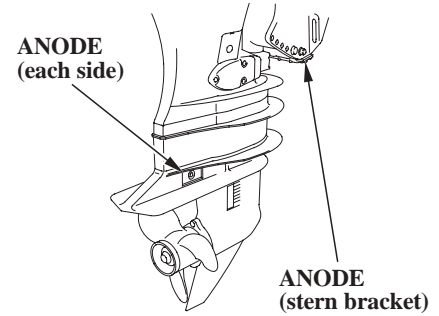
The engine is equipped with an overrev limiter to prevent the possibility of mechanical damage from excessive engine speed.

The overrev limiter may be activated during operation, limiting engine speed, if the outboard motor is trimmed or tilted up excessively, or when propeller ventilation occurs during a sharp turn.

If the overrev limiter is activated, check the trim angle of the outboard motor.

Check to see if the correct propeller is installed.

Anodes

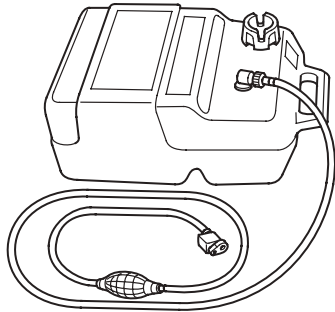


The anodes are made of a sacrificial material that helps to protect the outboard motor from corrosion.

There are two anodes on the gear case, one on the stern bracket and two small anodes in the water passages of the engine block.

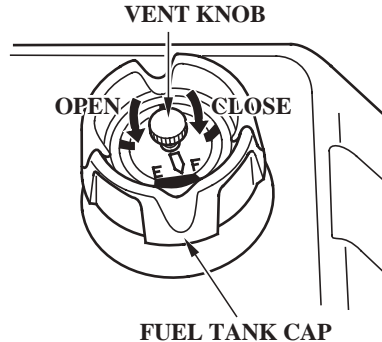
CONTROLS AND FEATURES

Portable Fuel Tank (optional equipment)



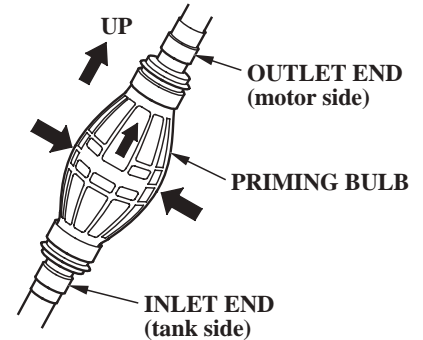
The portable fuel tank (optional equipment) has a capacity of 6.6 US gal (25L) and has a fuel gauge built into the cap.

Fuel Tank Cap Vent Knob (optional equipment)



The cap is provided with a vent knob to seal the portable fuel tank (optional equipment) for carrying it to and from the boat. Open the vent knob 2 or 3 turns before starting the engine.

Fuel Priming Bulb



A priming bulb is built into the fuel hose that connects the fuel tank to the outboard motor.

Before starting the engine, hold the priming bulb up in the direction of the arrow; then squeeze the priming bulb until it feels firm. This will ensure that fuel is supplied to the engine (p. 44).

BEFORE OPERATION

ARE YOU READY TO GET UNDERWAY?

Your safety is your responsibility. A little time spent in preparation will significantly reduce your risk of injury.

Knowledge

Read and understand this manual. Know what the controls do and how to operate them.

Familiarize yourself with the outboard motor and its operation before you get underway. Know what to do in case of an emergency.

Familiarize yourself with all laws and regulations relating to boating and the use of outboard motors.

Safety

Always wear a PFD (Personal Flotation Device) while on the boat.

Attach the emergency stop switch lanyard securely to the operator or to the operator's PFD.

IS YOUR OUTBOARD MOTOR READY TO GO?

For your safety, and to maximize the service life of your equipment, it is very important to take a few moments before you operate the outboard motor to check its condition. Be sure to take care of any problem you find, or have your authorized Honda Marine dealer correct it, before you operate the outboard motor.

WARNING

Improperly maintaining this outboard motor or failing to correct a problem before operation can cause a malfunction in which you could be seriously hurt or killed.

Always perform a pre-operation inspection before each operation, and correct any problem.

Before beginning your pre-operation checks, be sure the ignition switch is in the OFF position.

BEFORE OPERATION

Safety Inspection

- Look around the outboard motor for signs of oil or gasoline leaks.
- If you are using the portable fuel tank (optional equipment), make sure it is in good condition and properly secured in the boat (p. 43).
- Check that the fuel hose is undamaged and properly connected (p. 43).
- Wipe up any spills before starting the engine.
- Check the stern bracket to be sure the outboard motor is securely installed.
- Check that all controls are operating properly.
- Replace any damaged parts.

- Check that all fasteners are in place and securely tightened.
- Check the emergency stop switch for proper operation. Start the engine (p. 44, 47 or 50). Make sure the engine stops by pulling the emergency stop switch clip from the emergency stop switch.

Maintenance Inspection

- Check the engine oil level (p. 69). Running the engine with a low oil level can cause engine damage.
- Check to be sure the propeller is undamaged and the castle nut is secured with the cotter pin (p. 83).
- Check that the anodes are securely attached to the stern bracket and the gear case (p. 81) and are not excessively worn. The anodes help protect the outboard motor from corrosion.

- Make sure the tool kit is onboard (p. 63). Replace any missing items.
- Check the fuel level in the fuel tank (p. 76).
- Check that the battery fluid is between the upper and lower levels, and the battery leads are connected securely.
- Check the water separator for water contamination (p. 81).

SAFE OPERATING PRECAUTIONS

To safely realize the full potential of this outboard motor, you need a complete understanding of its operation and a certain amount of practice with its controls.

Before operating the outboard motor for the first time, please review the *IMPORTANT SAFETY INFORMATION* on page 7 and the chapter titled *BEFORE OPERATION*.

For your safety, do not start or run the engine in a confined or partly enclosed area. Your engine's exhaust contains poisonous carbon monoxide, a colorless, odorless gas that can collect rapidly. Breathing carbon monoxide can cause loss of consciousness and may lead to death.

BREAK-IN PROCEDURE

Break-in period: 10 hours

Proper break-in operation allows the moving parts to wear in smoothly for best performance and long service life.

First 15 minutes:

Run the engine at trolling speed. Use the minimum throttle opening necessary to operate the boat at a safe trolling speed.

Next 45 minutes:

Run the engine up to a maximum of 2,000 to 3,000 rpm, which is about 10% to 30% of maximum throttle opening.

Next 60 minutes:

Run the engine up to a maximum of 4,000 to 5,000 rpm, which is about 50% to 80% of maximum throttle opening.

Short full-throttle bursts are OK, but do not operate the engine continuously at full throttle.

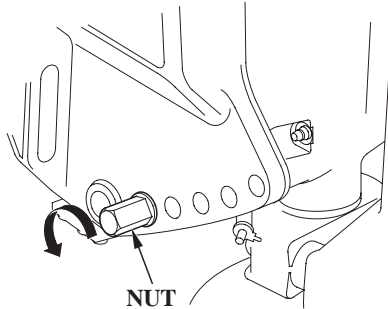
For boats that plane easily, bring the boat up on plane, and then reduce the throttle opening to the recommended rpm range.

Next 8 hours:

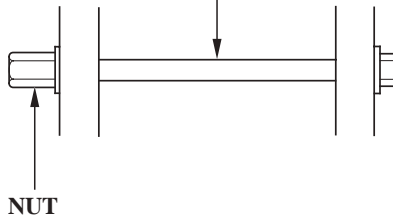
Do not run the engine at full throttle for more than 5 minutes at a time.

OPERATION

TRANSOM ANGLE ADJUSTMENT



TRANSOM ANGLE ADJUSTING ROD



The transom angle adjusting rod limits the tilt angle of the outboard motor when fully lowered.

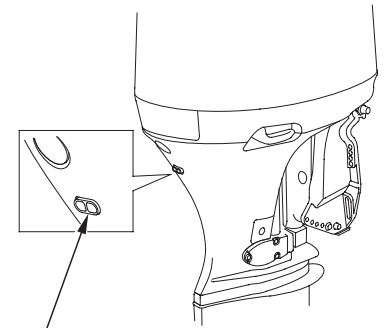
Proper adjustment prevents the outboard motor from being trimmed too low (p. 57).

To adjust, first tilt the outboard motor so it is not resting on the rod.

Remove the nut, then remove the rod and insert it in the desired position. Reinstall the nut and tighten it securely.

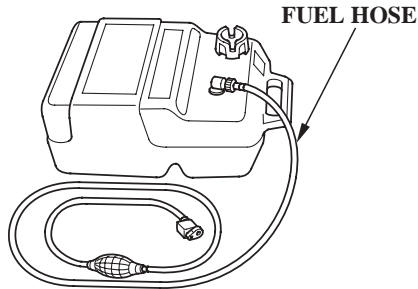
NOTICE

Do not allow water to enter the idle exhaust port or the engine can be damaged.



IDLE EXHAUST PORT

PORTABLE FUEL TANK (optional equipment)



Place the portable fuel tank (optional equipment) in a well-ventilated location, away from direct sunlight, to reduce the possibility of a gasoline vapor explosion.

To ensure that the outboard motor will be able to draw fuel from the tank, place the tank within 6 feet (2 m) of the outboard motor and not more than 3 feet (1 m) below the fuel connector on the outboard motor.

Secure the portable fuel tank in the boat so that it won't move around and become damaged.

Before use, open the fuel tank vent by turning the vent knob at least 2 or 3 turns counterclockwise.

⚠ WARNING

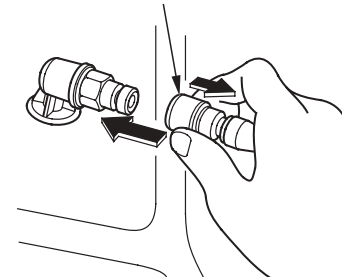
Gasoline is highly flammable and explosive.

You can be burned or seriously injured when handling fuel.

- Stop the engine and keep heat, sparks, and flame away.
- Handle fuel only outdoors.
- Wipe up spills immediately.

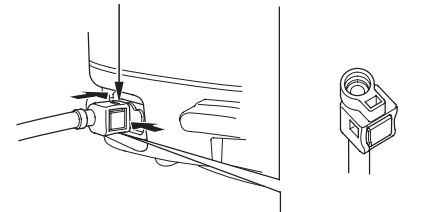
FUEL HOSE CONNECTIONS

FUEL HOSE CONNECTOR



(FUEL TANK SIDE)

FUEL HOSE CONNECTOR

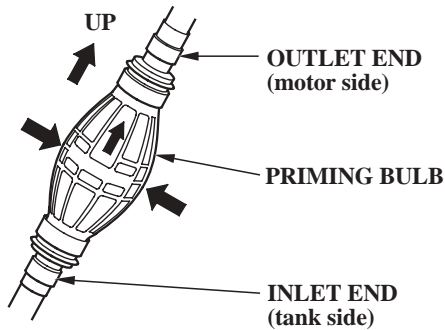


(OUTBOARD MOTOR SIDE)

Connect the fuel hose to the tank and the outboard motor, as shown. Be sure both connectors snap securely into place.

OPERATION

FUEL PRIMING



Hold the priming bulb up in the direction of the arrow; then squeeze the priming bulb several times until it feels firm, indicating that fuel has reached the engine.

Check to be sure there are no fuel leaks before starting the engine.

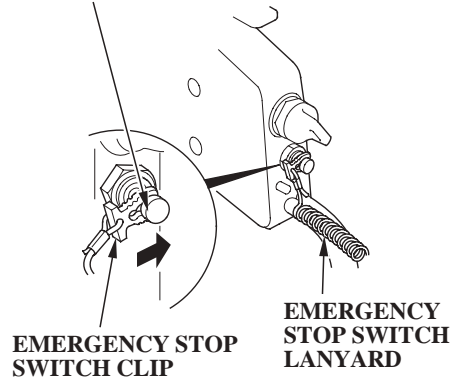
Do not touch the priming bulb with the engine running or when tilting up the outboard motor. The vapor separator could overflow.

STARTING THE ENGINE

Control	
Side-Mount Type	p. 44
Panel-Mount Type	p. 47
Top-Mount Type	p. 50

Side-Mount Type

EMERGENCY STOP SWITCH

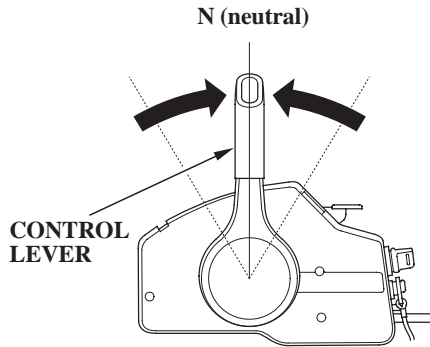


1. Put the emergency stop switch clip in the emergency stop switch, and attach the emergency stop switch lanyard securely to the operator or to the operator's PFD (Personal Flotation Device).

The engine will not start or run unless the emergency stop switch clip is in the emergency stop switch.

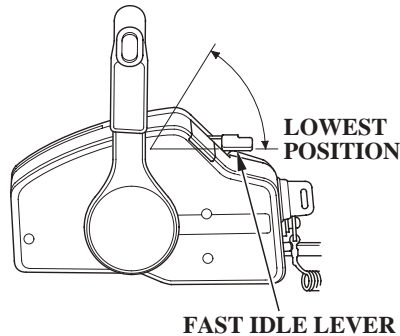
The emergency stop switch clip and emergency stop switch lanyard system is a safety device that will stop the engine if you fall away from the controls while operating the boat.

Always attach the emergency stop switch lanyard securely to the operator or to the operator's PFD before starting the engine.



2. Set the control lever in the N (neutral) position.

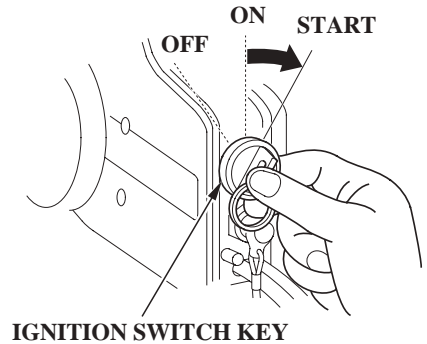
The engine will not start if the F (forward) or R (reverse) gears are engaged.



3. Leave the fast idle lever in the OFF (fully lowered) position.

The fast idle lever cannot be raised unless the control lever is in the N (neutral) position.

The control lever cannot be moved away from the N (neutral) position unless the fast idle lever is lowered.



4. Turn the ignition switch key to the ON position; the buzzer will sound twice.
5. Turn the ignition switch key to the START position and hold it there until the engine starts.

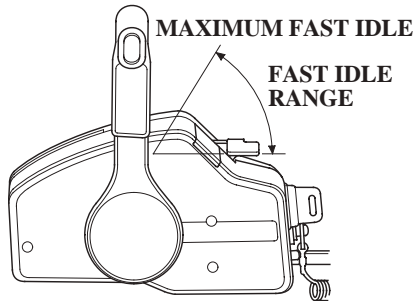
When the engine starts, release the key, allowing it to return to the ON position.

OPERATION

If the engine fails to start within 5 seconds, release the key and wait at least 10 seconds before operating the starter again.

NOTICE

- Using the electric starter for more than 5 seconds at a time will overheat the starter motor and can damage it.
- Turning the ignition switch key to the START position while the engine is running can damage the starter motor and flywheel.



6. Before getting underway, allow the engine to warm-up sufficiently to ensure good performance.

Above 41°F (5°C), warm-up the engine for at least 3 minutes.

Below 41°F (5°C), warm-up the engine for at least 5 minutes at 2,000 rpm. Raise the fast idle lever to achieve approximately 2,000 rpm.

NOTICE

- If the engine is not properly warmed up before raising the engine speed, the buzzer and overheat indicator may activate and the engine speed will be automatically reduced.
- The cooling system may freeze in areas where the temperature reaches 32°F (0°C) or below. Cruising at high speed without warming the engine up may cause engine damage.

During the warm-up period, check the oil pressure indicator (p. 35), overheat indicator (p. 36), and cooling system indicator (p. 37).

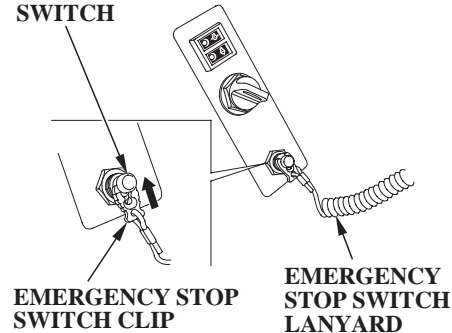
If the indicators show any abnormal condition, immediately stop the engine and determine the cause of the problem. Refer to *TAKING CARE OF UNEXPECTED PROBLEMS* on p. 99 – 101.

7. If the fast idle lever was used to warm-up the engine, gradually lower the lever as the engine warms up.

When the fast idle lever is fully lowered, the control lever can be moved away from the N (neutral) position.

Panel-Mount Type

EMERGENCY STOP SWITCH



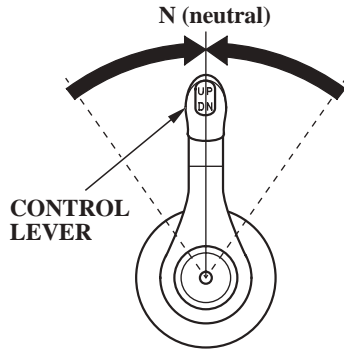
1. Put the emergency stop switch clip in the emergency stop switch, and attach the emergency stop switch lanyard securely to the operator or to the operator's PFD (Personal Flotation Device).

The engine will not start or run unless the emergency stop switch clip is in the emergency stop switch.

The emergency stop switch clip and emergency stop switch lanyard system is a safety device that will stop the engine if you fall away from the controls while operating the boat.

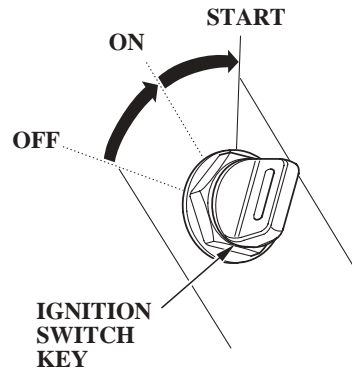
Always attach the emergency stop switch lanyard securely to the operator or to the operator's PFD before starting the engine.

OPERATION



2. Set the control lever in the N (neutral) position.

The engine will not start if the F (forward) or R (reverse) gears are engaged.



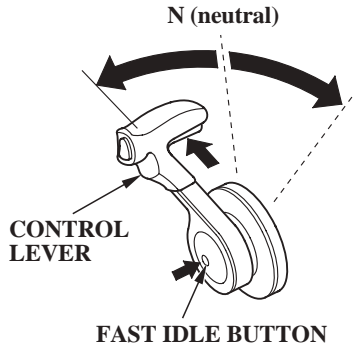
3. Turn the ignition switch key to the ON position; the buzzer will sound twice.
4. Turn the ignition switch key to the START position and hold it there until the engine starts.

When the engine starts, release the key, allowing it to return to the ON position.

If the engine fails to start within 5 seconds, release the key and wait at least 10 seconds before operating the starter again.

NOTICE

- *Using the electric starter for more than 5 seconds at a time will overheat the starter motor and can damage it.*
- *Turning the ignition switch key to the START position while the engine is running can damage the starter motor and flywheel.*



4. Before getting underway, allow the engine to warm-up sufficiently to ensure good performance.

Above 41°F (5°C), warm-up the engine for at least 3 minutes.

Below 41°F (5°C), warm-up the engine for at least 5 minutes at 2,000 rpm. Push the fast idle button, and then move the control lever forward or reverse to open the throttle and achieve approximately 2,000 rpm.

NOTICE

- *If the engine is not properly warmed up before raising the engine speed, the buzzer and overheat indicator may activate and the engine speed will be automatically reduced.*
- *The cooling system may freeze in areas where the temperature reaches 32°F (0°C) or below. Cruising at high speed without warming the engine up may cause engine damage.*

During the warm-up period, check the oil pressure indicator (p. 35), overheat indicator (p. 36), and cooling system indicator (p. 37).

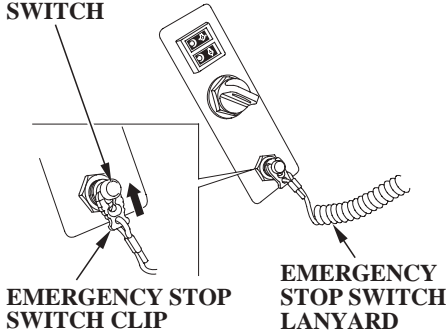
If the indicators show any abnormal condition, immediately stop the engine and determine the cause of the problem. Refer to **TAKING CARE OF UNEXPECTED PROBLEMS** on p. 99 — 101 .

5. If the fast idle control was used to warm-up the engine, gradually return the control lever to the N (neutral) position as the engine warms up.

OPERATION

Top-Mount Type

EMERGENCY STOP SWITCH

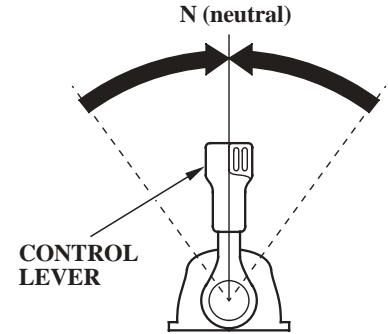


1. Put the emergency stop switch clip in the emergency stop switch, and attach the emergency stop switch lanyard securely to the operator or to the operator's PFD (Personal Flotation Device).

The engine will not start or run unless the emergency stop switch clip is in the emergency stop switch.

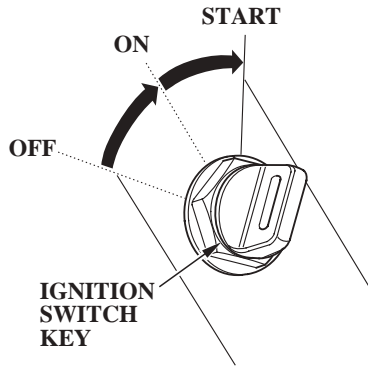
The emergency stop switch clip and emergency stop switch lanyard system is a safety device that will stop the engine if you fall away from the controls while operating the boat.

Always attach the emergency stop switch lanyard securely to the operator or to the operator's PFD before starting the engine.



2. Set the control lever in the N (neutral) position.

The engine will not start if the F (forward) or R (reverse) gears are engaged.



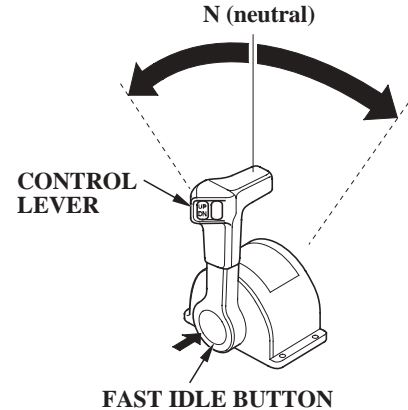
3. Turn the ignition switch key to the ON position; the buzzer will sound twice.
4. Turn the ignition switch key to the START position and hold it there until the engine starts.

When the engine starts, release the key, allowing it to return to the ON position.

If the engine fails to start within 5 seconds, release the key and wait at least 10 seconds before operating the starter again.

NOTICE

- *Using the electric starter for more than 5 seconds at a time will overheat the starter motor and can damage it.*
- *Turning the ignition switch key to the START position while the engine is running can damage the starter motor and flywheel.*



5. Before getting underway, allow the engine to warm-up sufficiently to ensure good performance.

Above 41°F (5°C), warm-up the engine for at least 3 minutes.

Below 41°F (5°C), warm-up the engine for at least 5 minutes at 2,000 rpm. Push the fast idle button, and then move the control lever forward or reverse to open the throttle and achieve approximately 2,000 rpm.

OPERATION

NOTICE

- *If the engine is not properly warmed up before raising the engine speed, the buzzer and overheat indicator may activate and the engine speed will be automatically reduced.*
- *The cooling system may freeze in areas where the temperature reaches 32°F (0°C) or below. Cruising at high speed without warming the engine up may cause engine damage.*

During the warm-up period, check the oil pressure indicator (p. 35), overheat indicator (p. 36), and cooling system indicator (p. 37).

If the indicators show any abnormal condition, immediately stop the engine and determine the cause of the problem. Refer to *TAKING CARE OF UNEXPECTED PROBLEMS* on p. 99 — 101 .

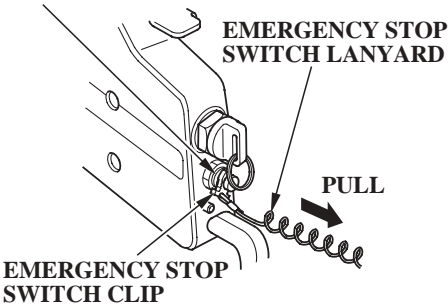
6. If the fast idle control was used to warm-up the engine, gradually return the control lever to the N (neutral) position as the engine warms up.

STOPPING THE ENGINE

Emergency Engine Stopping

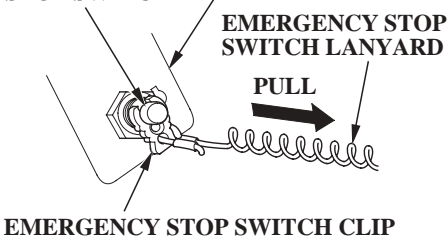
Side-Mount Type

EMERGENCY STOP SWITCH



Panel-Mount/Top-Mount Types

EMERGENCY STOP SWITCH

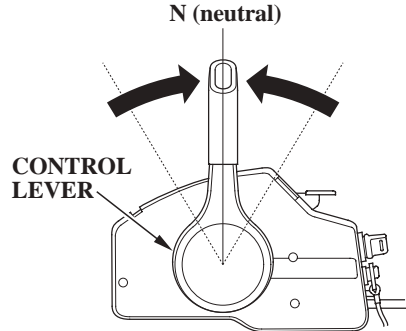


To stop the engine in an emergency, pull the emergency stop switch clip out of the emergency stop switch by pulling the emergency stop switch lanyard.

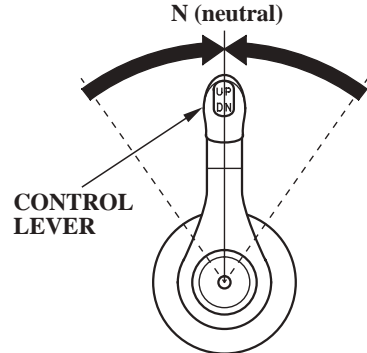
We suggest that you stop the engine this way occasionally to verify that the engine and emergency stop switch are operating properly.

Normal Engine Stopping

Side-Mount Type

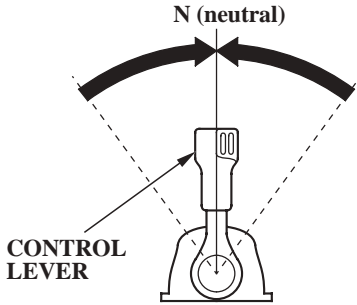


Panel-Mount Type



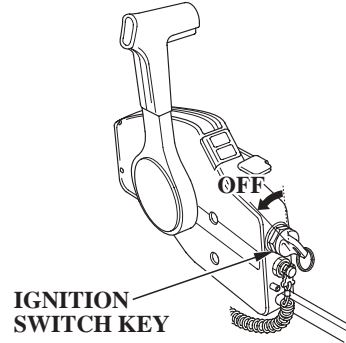
OPERATION

Top-Mount Type

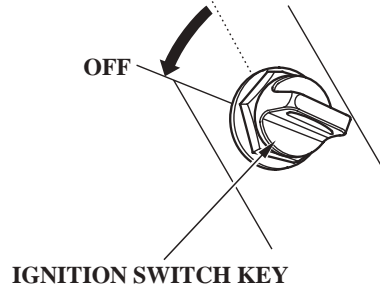


1. Move the control lever(s) to the N (neutral) position.

Side-Mount Type



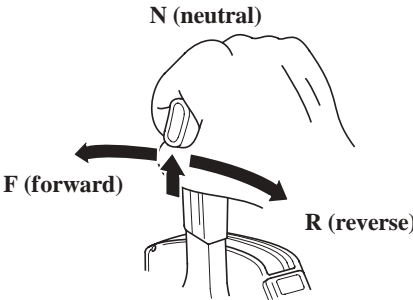
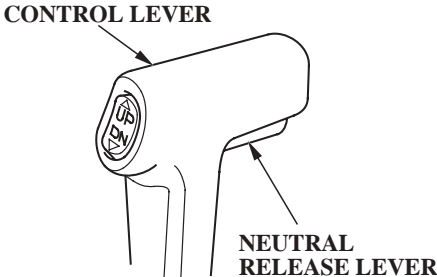
Panel-Mount/Top-Mount Types



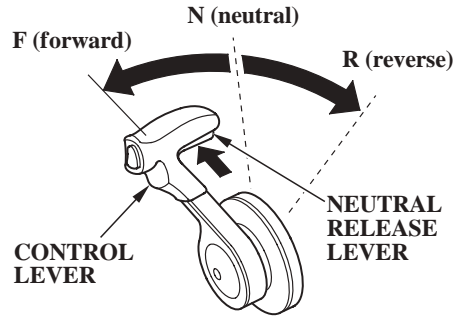
2. Turn the ignition switch key to the OFF position to stop the engine. In the event that the engine does not stop when the ignition switch key is turned to the OFF position, pull the emergency stop switch clip out of the emergency stop switch by pulling the emergency stop switch lanyard (p. 53).
3. When the boat is not in use, remove and store the ignition switch key, emergency stop switch clip and emergency stop switch lanyard.

GEARSHIFT AND THROTTLE OPERATION

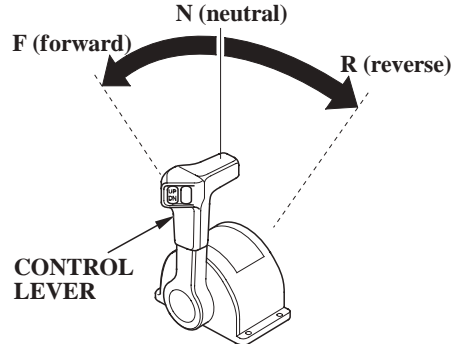
Side-Mount Type



Panel-Mount Type



Top-Mount Type



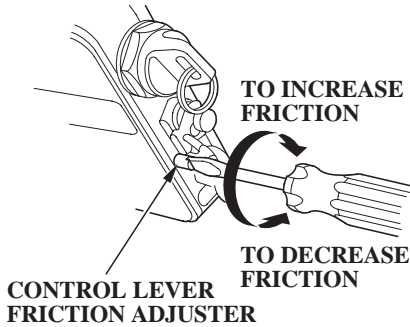
To shift gears, move the control lever to select the F (forward), N (neutral), or R (reverse) gear.

The control lever cannot be moved from the N (neutral) position unless the neutral release lever is squeezed (side-mount/panel-mount types).

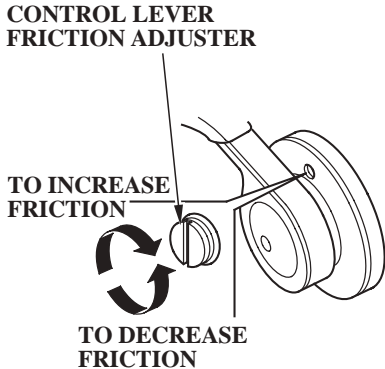
Moving the control lever beyond the gear selection range increases engine speed.

OPERATION

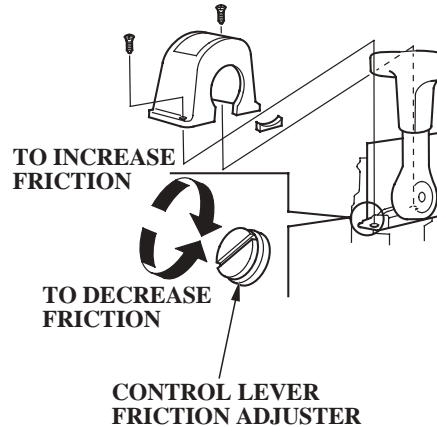
Side-Mount Type



Panel-Mount Type



Top-Mount Type



Adjust the control lever friction adjuster so the control lever will hold a constant throttle setting while cruising.

STEERING

Steer the boat in the same manner as an automobile.

CRUISING

Engine Speed

For best fuel economy, limit the throttle opening to 80%. Use the throttle friction control (p. 56) to help you hold a steady speed.

For rough water conditions or large waves, slow down to prevent the propeller from rising out of the water.

The engine is equipped with an overrev limiter to prevent the possibility of mechanical damage from excessive engine speed.

If, for example, the outboard motor is tilted excessively or propeller ventilation occurs during a sharp turn, the engine may overrev, activating the overrev limiter.

If engine speed becomes unstable at high speed due to activation of the overrev limiter, reduce speed and check the trim angle of the outboard motor.

Trim

Use the power trim/tilt switch to trim the outboard motor for the best performance and stability.

You can use the power trim/tilt switch at any time, whether the boat is underway or stopped.

Press the UP or DN (down) side of the switch to adjust the angle of the outboard motor.

Refer to the trim meter (p. 33) for an indication of whether the motor is trimmed high or low.

It is necessary to trim the angle of the outboard motor to compensate for changes in boat load, weight distribution, water conditions, or propeller selection.

Under normal conditions, the boat will perform best when the antiventilation plate is level with the water surface.

When cruising into a high wind, trim the outboard motor down slightly to level the boat and improve stability. With a tail wind, trim the outboard motor up slightly.

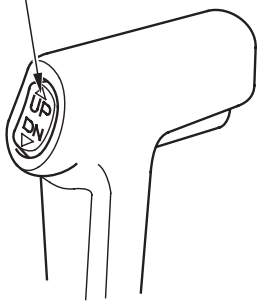
NOTICE

Excessive trim/tilt angle during operation can cause propeller ventilation, overheating, and water pump damage.

OPERATION

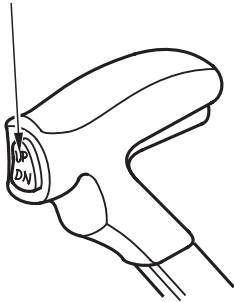
Side-Mount Type

POWER TRIM/TILT SWITCH



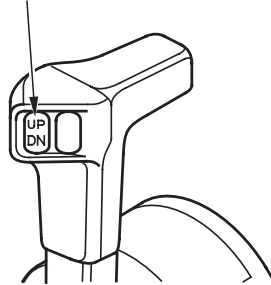
Panel-Mount Type

POWER TRIM/TILT SWITCH



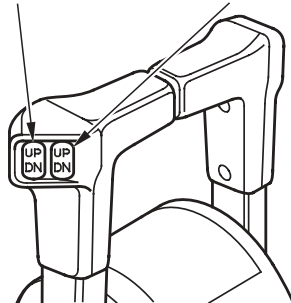
Top-Mount Type (single type)

POWER TRIM/TILT SWITCH



(dual type)

POWER TRIM/TILT SWITCH
(LEFT) (RIGHT)



MOTOR TRIMMED TOO LOW

MOTOR TRIMMED TOO HIGH

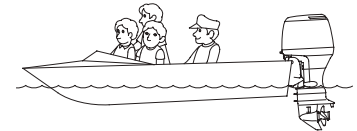


ROUGH WAVES

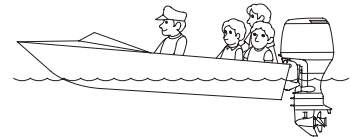
MOTOR TRIMMED CORRECTLY



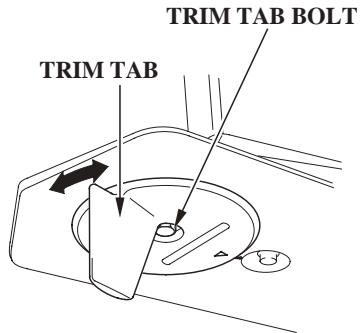
BOW TOO LOW DUE TO
1. LOAD IN THE FRONT
2. MOTOR TRIMMED TOO LOW



BOW TOO HIGH DUE TO
1. LOAD IN THE REAR
2. MOTOR TRIMMED TOO HIGH



If steering effort is not equal in both directions, adjust the trim tab to compensate for “torque steer,” which is the reaction of the outboard motor to propeller rotation.



Adjust the trim tab with the engine stopped. Loosen the bolt above the trim tab, turn the trim tab, and then tighten the bolt securely.

When the trim tab is correctly adjusted, steering effort will be equal in both directions.

Refer to TRIM TAB ADJUSTMENT p. 66 .

SHALLOW WATER OPERATION

When operating in shallow water, use the power trim/tilt switch (p. 58) to tilt the outboard motor so that the propeller and gear case won't hit the bottom.

Proceed at low speed, and monitor water flow from the cooling system indicator (p. 37) to be sure the outboard motor is not tilted so high that the water intakes are out of the water.

NOTICE

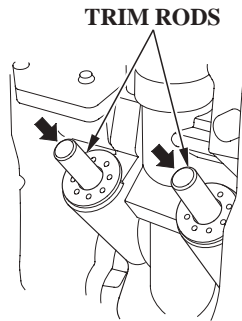
An excessive trim/tilt angle during operation can cause propeller ventilation, overheating, and water pump damage. This type of damage is not covered by the Distributor's Limited Warranty (p. 115).

MOORING, BEACHING, LAUNCHING

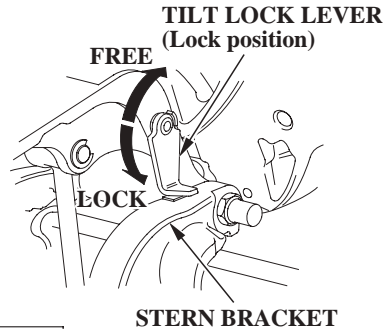
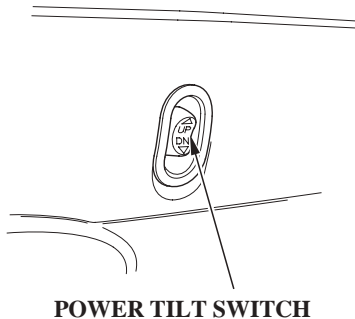
Before tilting up, leave the outboard motor in the running position for one minute after stopping the engine to drain the water from inside the engine.

To raise the outboard motor out of the water while the engine is stopped and the boat is moored, or for maximum clearance when beaching or launching, use the power tilt switch on the engine pan to tilt the outboard motor up as far as it will go. Move the tilt lock lever to the LOCK position, and then gently lower the outboard motor until the lever contacts the stern bracket. Use the power tilt switch to fully shorten the trim rods.

OPERATION

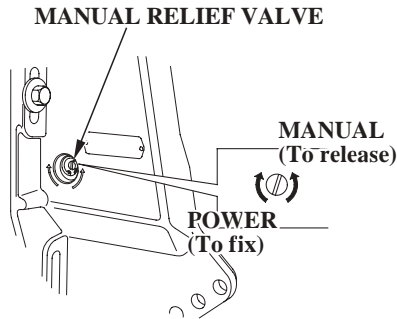


To lower the outboard motor, tilt up, move the tilt lock lever to the FREE position, and then lower the outboard motor to the desired position.



NOTICE

Do not attempt to use the power tilt switch to tilt the outboard motor down while the tilt lock lever is in the LOCK position. Damage to the power tilt system may occur.



The outboard motor can also be tilted manually after opening the manual relief valve. This feature enables the outboard motor to be tilted up or down when no battery is connected.

For manual tilting, use a screwdriver to turn the valve counterclockwise 1 or 2 turns. Close the valve firmly after positioning the engine.

Be sure the valve is closed before operating the outboard motor. If the valve is not closed, the outboard motor will tilt up when operated in reverse.

Check that nobody is under the outboard motor before opening the manual relief valve. If the manual relief valve is loosened (turned counterclockwise) when the outboard motor is tilted up, the outboard motor will suddenly tilt down.

SERVICING YOUR OUTBOARD MOTOR

THE IMPORTANCE OF MAINTENANCE

Proper maintenance is essential for safe, economical, and trouble-free operation. It will also help reduce air pollution.

WARNING

Improperly maintaining this outboard motor or failure to correct a problem before operation can cause a malfunction in which you could be seriously hurt or killed.

Always follow the inspection and maintenance recommendations and schedules in this Owner's Manual.

To help you properly care for your outboard motor, the following pages include a maintenance schedule, routine inspection procedures, and simple maintenance procedures using basic hand tools. Other service tasks that are more difficult or require special tools are best handled by professionals and are normally performed by a Honda technician or other qualified mechanic.

The maintenance schedule applies to normal operating conditions. If you operate your outboard motor under unusual conditions, consult an authorized Honda Marine dealer for recommendations applicable to your individual needs and use.

Remember that your authorized Honda Marine dealer knows your outboard motor best and is fully equipped to maintain and repair it.

To ensure the best quality and reliability, use only new, Honda Genuine parts or their equivalents for repair and replacement.

Maintenance, replacement, or repair of the emission control devices and systems may be performed by any marine engine repair establishment or individual, using parts that are “certified” to EPA standards.

SERVICING YOUR OUTBOARD MOTOR

MAINTENANCE SAFETY

Some of the most important safety precautions follow. However, we cannot warn you of every conceivable hazard that can arise in performing maintenance. Only you can decide whether or not you should perform a given task.

WARNING

Failure to properly follow maintenance instructions and precautions can cause you to be seriously hurt or killed.

Always follow the procedures and precautions in the Owner's Manual.

Safety Precautions

- Make sure the engine is off before you begin any maintenance or repairs. This will eliminate several potential hazards:

- **Carbon monoxide poisoning from engine exhaust.**

Do not start or run the engine in a confined or partly enclosed area.

- **Burns from hot parts.**

Let the engine and exhaust system cool before touching.

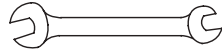
- **Injury from moving parts.**

Do not run the engine unless instructed to do so.

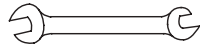
- Read the instructions before you begin, and make sure you have the tools and skills required.
- To reduce the possibility of fire or explosion, be careful when working around gasoline. Use only a nonflammable solvent, not gasoline, to clean parts. Keep cigarettes, sparks, and flames away from all fuel-related parts.
- Wear gloves when handling the propeller to protect your hands from sharp edges.

SERVICING YOUR OUTBOARD MOTOR

TOOL KIT



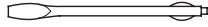
14 × 17 mm WRENCH



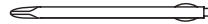
10 × 12 mm WRENCH



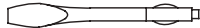
8 mm WRENCH



FLAT SCREWDRIVER



PHILLIPS SCREWDRIVER



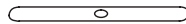
GEAR OIL CHECK SCREWDRIVER



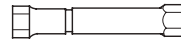
BOX WRENCH



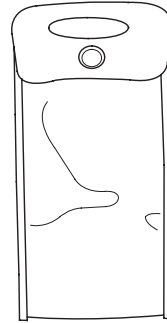
PLIERS



SCREWDRIVER HANDLE

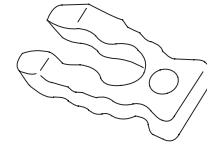


SPARK PLUG WRENCH



TOOL BAG

SPARE EMERGENCY STOP SWITCH CLIP (optional equipment)



Always carry a spare emergency stop switch clip onboard. The spare clip may either be stored in the tool bag or in an easily accessible location on the boat.

The tool kit can be used for simple maintenance procedures and emergency repairs. Keep these items on the boat so that they will always be available if you need them.

If your tool kit needs replacement, it is not available as a kit and each item must be ordered individually.

SERVICING YOUR OUTBOARD MOTOR

MAINTENANCE SCHEDULE

Follow the MAINTENANCE SCHEDULE table and service your outboard motor accordingly. Please note, a claim for warranty coverage will not be denied simply because the maintenance schedule for your outboard was not followed. However, any part(s) that fails specifically due to lack of maintenance, or improperly performed maintenance, would not be covered under the *Distributor's Limited Warranty*.

REGULAR SERVICE PERIOD (3) Perform at every indicated month or operating hour interval, whichever comes first.		Each use	After use	First month or 20 hrs.	Every 6 months or 100 hrs.	Every year or 200 hrs.	Every 2 years or 400 hrs.
ITEM							
Engine oil	Check level	○					
	Change			○	○		
Gear case oil	Change			○ (2)	○ (2)		
Engine oil filter	Replace					○ (2)	
Timing belt	Check-adjust					○ (2)	
Balancer belt	Check-adjust					○ (2)	
ACG belt	Check-adjust					○ (2)	
Throttle linkage	Check-adjust			○ (2)	○ (2)		
Idle speed	Check-adjust			○ (2)	○ (2)		
Valve clearance	Check-adjust					○ (2)	
Spark plug	Check-adjust				○		
	Replace					○	
Propeller and cotter pin	Check	○					
Anode metal	Check Outside engine	○					
Anode metal	Check Inside engine						○ (2) (6)
Lubrication	Grease			○ (1)	○ (1)		

- (1) Lubricate more frequently when used in salt water.
- (2) These items should be serviced by an authorized Honda Marine dealer, unless you have the proper tools and are mechanically proficient. Refer to the Honda shop manual for service procedures.
- (3) For professional commercial use, log hours of operation to determine proper maintenance intervals.
- (6) When there is 1/3 or more consumption, please exchange.

SERVICING YOUR OUTBOARD MOTOR

REGULAR SERVICE PERIOD (3) Perform at every indicated month or operating hour interval, whichever comes first.		Each use	After use	First month or 20 hrs.	Every 6 months or 100 hrs.	Every year or 200 hrs.	Every 2 years or 400 hrs.
ITEM							
Water separator	Check	<input type="radio"/>					
Fuel tank and tank filter	Clean					<input type="radio"/>	
Fuel filter	Check				<input type="radio"/>		
	Replace						<input type="radio"/>
Fuel filter (High pressure type)	Replace						<input type="radio"/> (2)
Thermostat	Check					<input type="radio"/> (2)	
Fuel line	Check	<input type="radio"/>					
	Replace			Every 2 years (If necessary) (2)			
Battery and cable connection	Check level-tightness	<input type="radio"/>					
Bolts and nuts	Check-tightness			<input type="radio"/> (2)	<input type="radio"/> (2)		
Crankcase breather tube	Check					<input type="radio"/> (2)	
Cooling water passages	Clean		<input type="radio"/> (4)				
Water pump	Check					<input type="radio"/> (2)	
Emergency stop switch	Check	<input type="radio"/>					
Engine oil leak	Check	<input type="radio"/>					
Each operation part	Check	<input type="radio"/>					
Engine condition (5)	Check	<input type="radio"/>					
Power Trim/Tilt	Check				<input type="radio"/> (2)		

(1) Lubricate more frequently when used in salt water.

(2) These items should be serviced by an authorized Honda Marine dealer, unless you have the proper tools and are mechanically proficient. Refer to the Honda shop manual for service procedures.

(3) For professional commercial use, log hours of operation to determine proper maintenance intervals.

(4) When operating in salt water, turbid or muddy water, the engine should be flushed with clean water after each use.

(5) Upon starting, check for unusual engine sounds and cooling water flowing freely from the check hole.

SERVICING YOUR OUTBOARD MOTOR

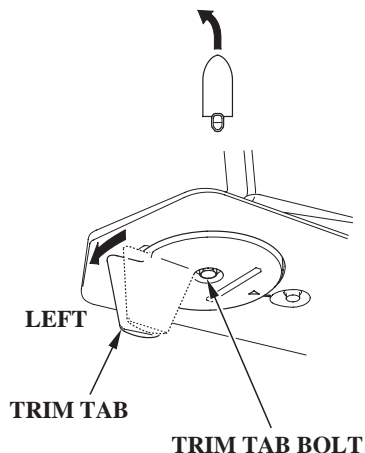
TRIM TAB ADJUSTMENT

The trim tab compensates for “torque steer,” which is a reaction of the outboard motor to propeller rotation.

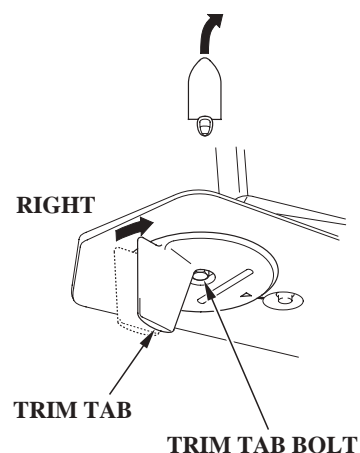
If uncompensated, torque steer would make the outboard motor tend to turn to one side.

When the trim tab is correctly adjusted, steering effort is equal in either direction.

If steering effort is unequal, loosen the trim tab bolt and adjust the angle of the trim tab. Retighten the trim tab bolt securely.



If less effort is required to make left turns, move the back of the trim tab left.

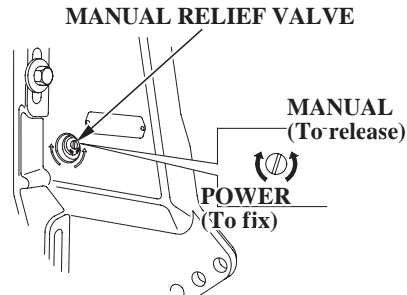


If less effort is required to make right turns, move the back of the trim tab right.

Adjust the trim tab in small increments, and retest steering effort with the boat evenly loaded and running at cruising speed.

SERVICING YOUR OUTBOARD MOTOR

MANUAL RELIEF VALVE

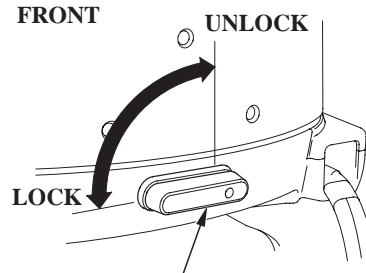


The outboard motor can be tilted manually after opening the manual relief valve. This feature enables the outboard motor to be tilted up or down when no battery is connected.

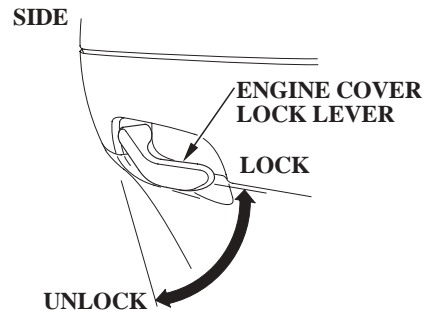
For manual tilting, use a flat blade screwdriver to turn the valve counterclockwise 1 or 2 turns. Close the valve firmly after positioning the outboard motor.

Be sure the valve is closed before operating the outboard motor. If the valve is not closed, the outboard motor will tilt up when operated in reverse.

ENGINE COVER REMOVAL AND INSTALLATION



ENGINE COVER LOCK LEVER



The engine cover lock levers fasten the engine cover to the outboard motor.

To remove the engine cover, turn both front and side levers to the unlocked position, then lift the engine cover off the outboard motor.

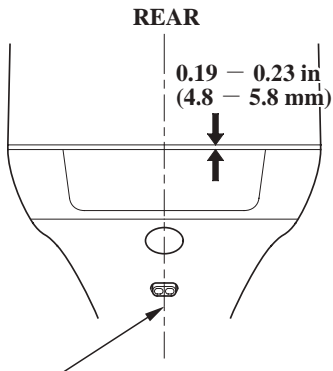
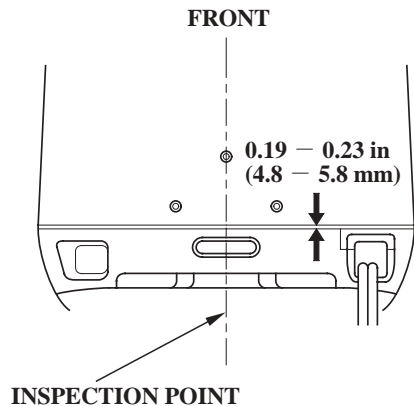
To install the engine cover, place the cover on the outboard motor, then turn both front and side lock levers to the locked position.

SERVICING YOUR OUTBOARD MOTOR

Lock Lever Adjustment

A loose engine cover may rattle or allow water to enter. Check whether the engine cover fits properly and adjust if necessary.

Engine Cover Clearance Inspection



INSPECTION POINT

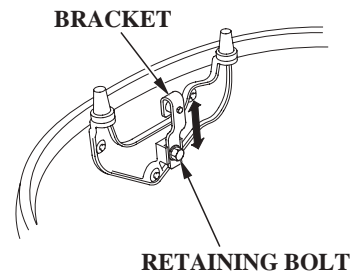
With the engine cover in place and both front and side lock levers in the locked position, measure the clearance between the engine cover and the engine undercase at the lock levers.

Specified engine cover clearance:
 $0.19 - 0.23$ in ($4.8 - 5.8$ mm)

If the clearance is outside the specified range, adjust the lock lever brackets.

Lock Lever Bracket Adjustment

1. Remove the engine cover.



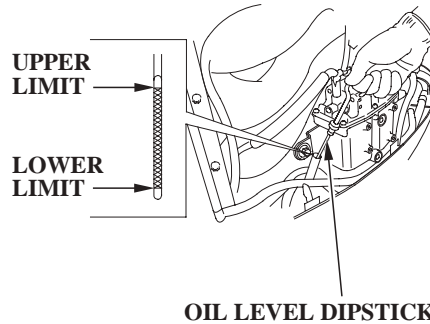
2. Loosen the retaining bolts on the front and/or side lock lever brackets, and move the bracket(s) as necessary to obtain the specified engine cover clearance.
3. After adjustment, tighten the retaining bolts securely, and install the engine cover.
4. Recheck the engine cover clearance, and readjust if necessary.

SERVICING YOUR OUTBOARD MOTOR

Engine Oil Level Check

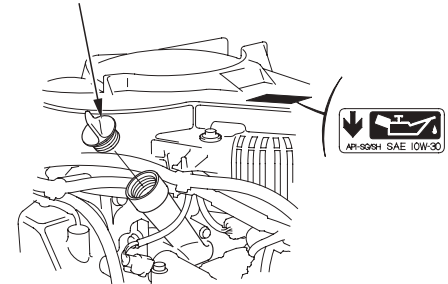
Check the engine oil level with the engine stopped and the outboard motor in the vertical position.

1. Unlock and remove the engine cover (p. 67).
2. Remove the dipstick and wipe it clean.



3. Insert the dipstick all the way in, then remove it and check the oil level shown on the dipstick.

OIL FILLER CAP



4. If the oil level is low, remove the oil filler cap, and add oil to reach the upper limit mark shown on the dipstick. Use the oil recommended on p. 72.

NOTICE

Running the engine with a low oil level can cause engine damage.

5. Install the oil filler cap and tighten it securely.
6. Install and lock the engine cover.

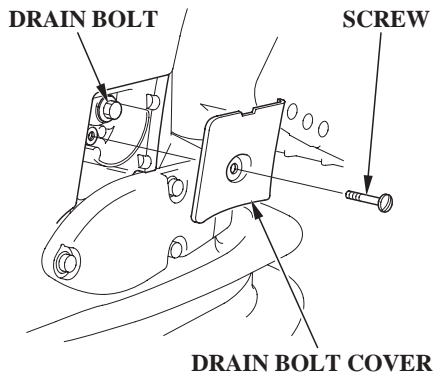
SERVICING YOUR OUTBOARD MOTOR

Engine Oil Change

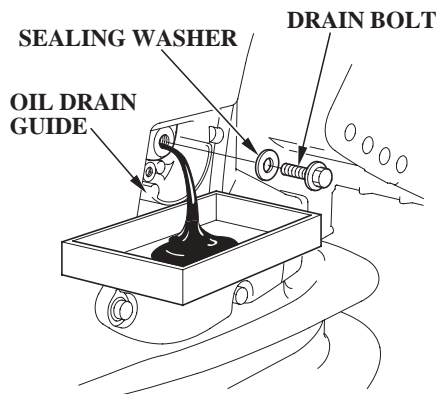
An engine oil evacuation device may be used to remove the engine oil.

Drain the used oil while the engine is warm. Warm oil drains quickly and completely.

1. Unlock and remove the engine cover (p. 67).



2. Remove the screw from the drain bolt cover, and remove the cover.



3. Place a suitable container below the oil drain guide to catch the used oil, and then remove the oil filler cap, drain bolt, and sealing washer.
4. Allow the used oil to drain completely. Use a new sealing washer, and then reinstall the engine oil drain bolt and washer. Tighten the drain bolt securely.

NOTICE

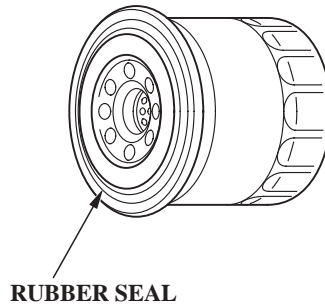
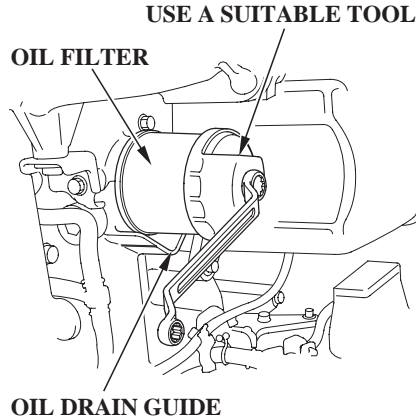
Improper disposal of engine oil can be harmful to the environment. If you change your own oil, please dispose of the used oil properly. Put it in a sealed container, and take it to a recycling center. Do not throw it in the trash, pour it on the ground or down a drain.

5. Install the drain bolt cover and secure it with the screw.
6. With the outboard motor in a vertical position, fill to the upper limit mark on the dipstick (p. 69) with the recommended oil. Engine oil refill capacity:
Without oil filter change:
5.9 US qt (5.6 L)
With oil filter change:
6.1 US qt (5.8 L)
7. Install the oil filler cap and tighten it securely.
8. Install and lock the engine cover.

SERVICING YOUR OUTBOARD MOTOR

Oil Filter Change

1. Drain the engine oil, and reinstall the drain bolt, washer, and drain bolt cover (see Engine Oil Change on p. 70).
2. Tilt the outboard motor, and place a suitable container below the oil drain guide to catch the used oil.
3. Use a suitable tool to remove the oil filter, and thoroughly drain the filter into the used oil container.



4. Clean the oil filter mounting base, and coat the rubber seal of the new oil filter with clean engine oil.

NOTICE

Use only a Honda Genuine oil filter or a filter of equivalent quality specified for your model. Using the wrong filter, or a non-Honda filter which is not of equivalent quality, may cause engine damage.

5. Screw on the new filter by hand until it contacts the engine, then use a suitable tool to tighten the filter an additional 7/8 turn.

OIL FILTER TIGHTENING TORQUE:
9 lbf·ft (12 N·m , 1.2 kgf·m)

SERVICING YOUR OUTBOARD MOTOR

- Return the outboard motor to the vertical position, and fill the crankcase with the specified amount (p. 70) of the recommended oil.
- Start the engine and check for leaks.

If you are changing the oil filter while the outboard motor is out of the water, use commercially available Ear-muffs and a hose to supply water.

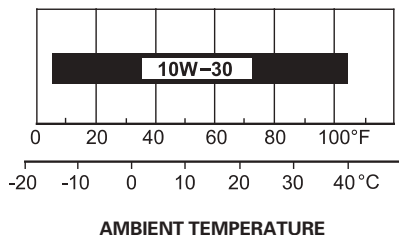
NOTICE

Running the outboard motor without sufficient cooling water will damage the water pump and overheat the engine.

- Stop the engine, and check the oil level as described on page 69 . If necessary, add oil to bring the oil level to the upper limit mark on the dipstick.

Engine Oil Recommendations

Oil is a major factor affecting performance and service life. Use 4-stroke detergent oil.



Honda 10W-30 FC-W™ outboard motor oil is recommended for general use.

If Honda 10W-30 FC-W oil is not available, Honda recommends that you use API service category SG, SH or SJ oil. The SAE oil viscosity and service category are in the API label on the oil container.

SERVICING YOUR OUTBOARD MOTOR

Lubrication Points

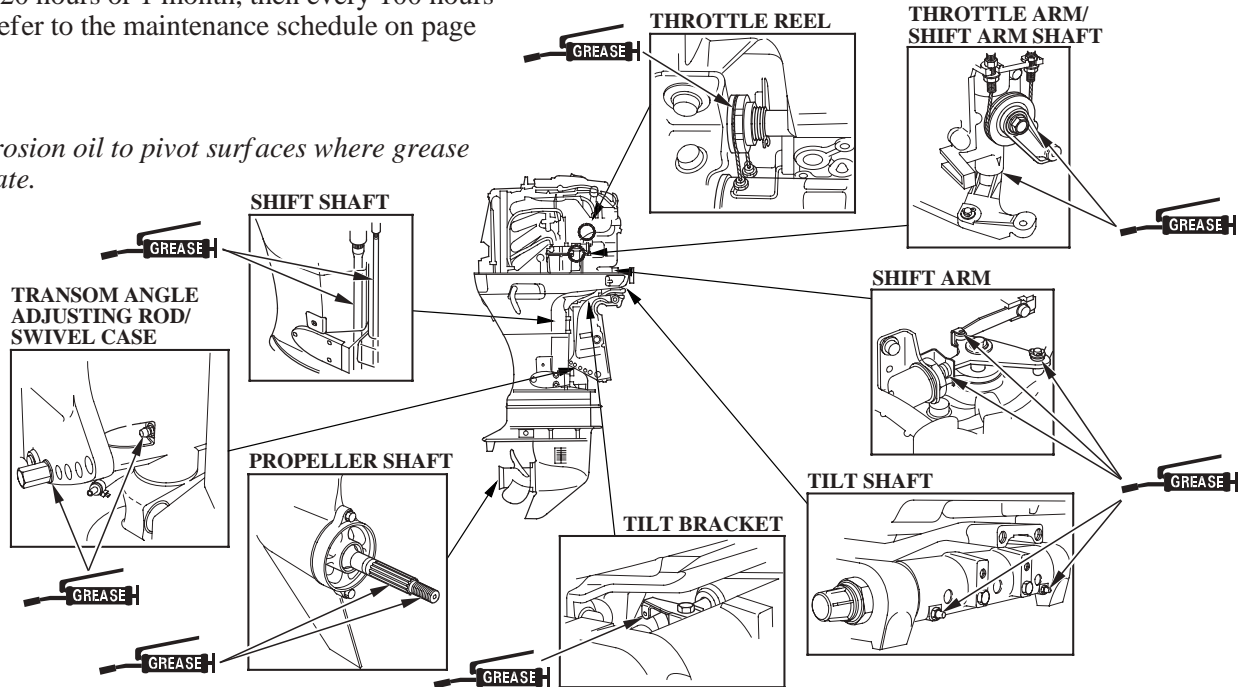
Apply Honda Marine waterproof grease to the parts shown below:

Lubrication interval:

After the first 20 hours or 1 month, then every 100 hours or 6 months (refer to the maintenance schedule on page 64).

NOTICE

Apply anticorrosion oil to pivot surfaces where grease cannot penetrate.



Apply corrosion inhibitor to all areas under the engine cover and any exposed metal surfaces except the belts.

SERVICING YOUR OUTBOARD MOTOR

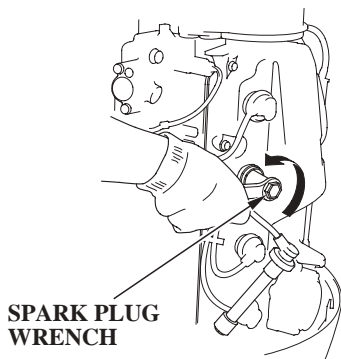
Spark Plug Service

RECOMMENDED SPARK PLUGS:
ZFR7F (NGK)
KJ22CR-L8 (DENSO)

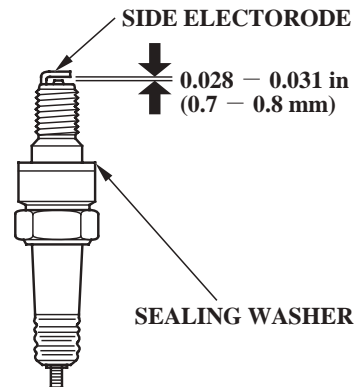
NOTICE

Incorrect spark plugs can cause engine damage.

1. Unlock and remove the engine cover (p. 67).
2. Disconnect the spark plug caps from the spark plugs.
3. Remove the spark plugs with a spark plug wrench.



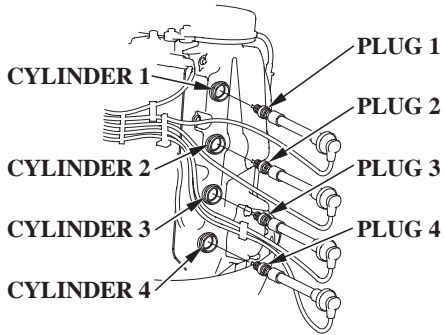
4. Inspect the spark plugs. Replace them if the electrodes are worn, or if the insulators are cracked or chipped.



5. Measure the spark plug electrode gap with a wire-type feeler gauge. Correct the gap, if necessary, by carefully bending the side electrode.

The gap should be:
0.028–0.031 in
(0.7–0.8 mm)

SERVICING YOUR OUTBOARD MOTOR



6. Install the spark plugs carefully, by hand, to avoid cross-threading.

7. After each spark plug seats, tighten with a spark plug wrench to compress the sealing washer.

If reinstalling used spark plugs, tighten $1/8 - 1/4$ turn after the spark plugs seat.

If installing new spark plugs, tighten $1/2$ turn after the spark plugs seat.

NOTICE

Loose spark plugs can overheat and damage the engine.

Overtightening the spark plugs can damage the threads in the cylinder head.

8. Attach the spark plug caps. Each cord is marked with a number near the spark plug cap. Match the cord numbers with the cylinder numbers, as shown.

9. Install and lock the engine cover.

SERVICING YOUR OUTBOARD MOTOR

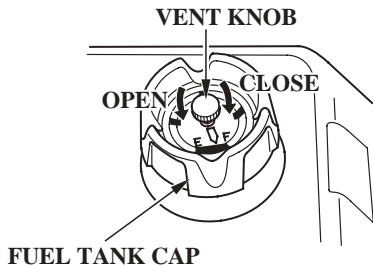
REFUELING

Portable Fuel Tank (optional equipment)

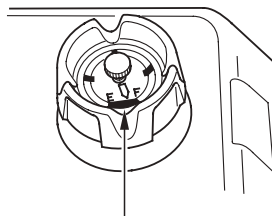
FUEL TANK CAPACITY:
6.6 US gal (25 L)

Check the fuel gauge and refill the tank when necessary.

Remove the fuel tank from the boat for refueling.

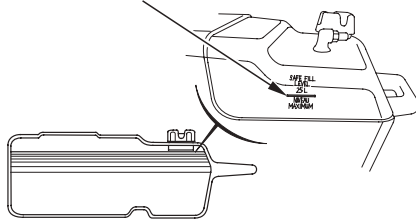


To refuel, turn the vent knob counterclockwise to the OPEN position, and unscrew the fuel tank cap.



FUEL GAUGE

SAFE FILL LEVEL



Refuel in a well-ventilated area. Fill the tank to the SAFE FILL LEVEL line.

After refueling, install the cap and tighten it securely. Turn the vent knob clockwise to the CLOSED position, and return the fuel tank to the boat.

Using the fuel tank mounted in the boat.

Check the fuel level and refill if necessary. Do not fill the fuel tank above the UPPER LIMIT. Refer to the boat manufacturer's instructions.

NOTICE

Fuel can damage paint and plastic. Be careful not to spill fuel when filling your fuel tank. Damage caused by spilled fuel is not covered under warranty.

⚠ WARNING

Gasoline is highly flammable and explosive.

You can be burned or seriously injured when handling fuel.

- Stop the engine and keep heat, sparks, and flame away.
- Handle fuel only outdoors.
- Wipe up spills immediately.

Never refill the fuel tank inside a building where gasoline fumes may reach flames or sparks. Keep gasoline away from appliance pilot lights, barbecues, electric appliances, power tools, etc.

Spilled fuel is not only a fire hazard, it causes environmental damage. Wipe up spills immediately.

FUEL RECOMMENDATIONS

Use unleaded gasoline with a pump octane rating of 86 or higher.

Your outboard motor is certified to operate on unleaded gasoline. Unleaded gasoline produces fewer engine and spark plug deposits and extends exhaust system life.

Never use stale or contaminated gasoline or an oil/gasoline mixture. Avoid getting dirt or water in the fuel tank.

You may use unleaded gasoline containing no more than 10% ethanol (E10) or 5% methanol by volume. In addition, methanol must contain cosolvents and corrosion inhibitors. Use of fuels with content of ethanol or methanol greater than shown above may cause starting and/or performance problems. It may also damage metal, rubber, and plastic parts of the fuel system.

Engine damage or performance problems that result from using a fuel with percentages of ethanol or methanol greater than shown above are not covered under warranty.

If your outboard will be used on an infrequent or intermittent basis, please refer to the fuel section of the STORAGE chapter (p. 85) for additional information regarding fuel deterioration.

Fuel Filter Inspection and Replacement

The fuel filter is located under the engine cover between the fuel coupling and the fuel pump.

Water or sediment accumulation in the filter can cause loss of power or hard starting. To prevent engine malfunction, inspect the filter and replace when necessary.

SERVICING YOUR OUTBOARD MOTOR

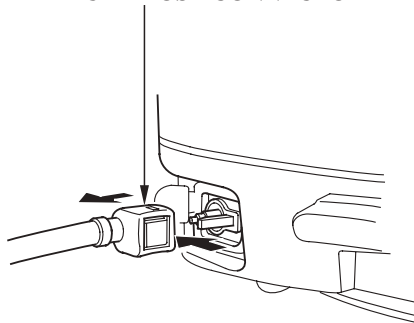
⚠ WARNING

Gasoline is highly flammable and explosive.

You can be burned or seriously injured when handling fuel.

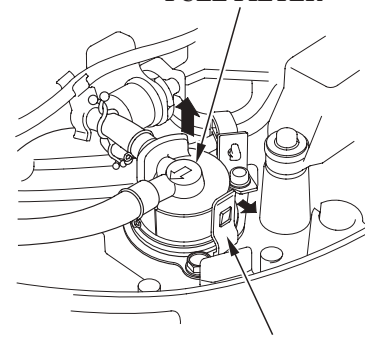
- Stop the engine and keep heat, sparks, and flame away.
- Handle fuel only outdoors.
- Wipe up spills immediately.

FUEL HOSE CONNECTOR



1. Remove the engine cover and disconnect the fuel hose connector from the outboard motor.

FUEL FILTER

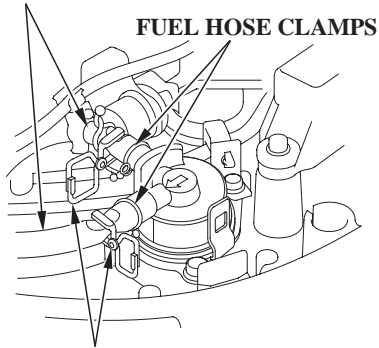


SPRING RETAINER

2. Pull the spring retainer toward you, and raise the fuel filter.
3. Check the fuel filter for water accumulation or sediment. If no water or sediment is found, reinstall the fuel filter properly.

SERVICING YOUR OUTBOARD MOTOR

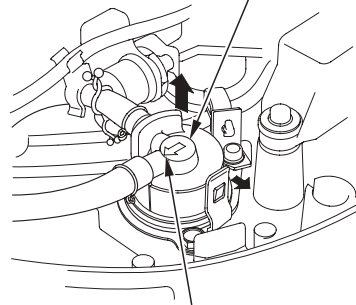
FUEL HOSES



FUEL HOSE CLIPS (commercially available)

4. Before removing the fuel filter, to prevent fuel leakage, place commercially available fuel hose clips on the fuel hoses at the each side of the fuel filter.
Slide the hose clamps away from the filter and remove the fuel filter.

FUEL FILTER



ARROW (Fuel Flow Direction)

5. Install the new fuel filter so the arrow on the filter points toward the fuel pump.

Fuel flow will be reduced if the filter is installed backward.
6. Connect the fuel hoses to the fuel filter securely with the hose clamps. Remove the fuel hose clips used to close the fuel hoses.

7. Securely connect the fuel hose connector to the outboard motor (p. 43).
8. Prime the engine using the priming bulb (p. 44). Check for fuel leaks. Repair any fuel leaks if necessary.

If loss of power or hard starting are found to be caused by excessive water or sediment accumulation in the fuel filter, inspect the fuel tank.

Clean the fuel tank and tank filter if necessary. It may be necessary to drain the fuel tank completely and refill with fresh gasoline.

SERVICING YOUR OUTBOARD MOTOR

Portable Fuel Tank and Filter Cleaning (optional equipment)

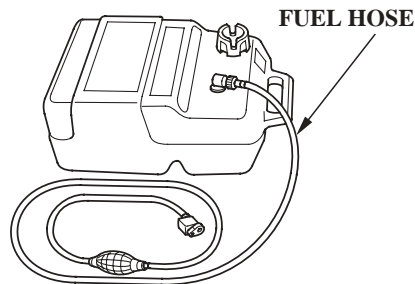
⚠ WARNING

Gasoline is highly flammable and explosive.

You can be burned or seriously injured when handling fuel.

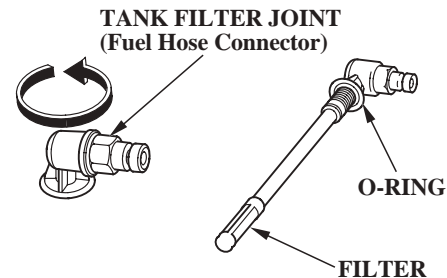
- Stop the engine and keep heat, sparks, and flame away.
- Handle fuel only outdoors.
- Wipe up spills immediately.

Fuel Tank



Empty the portable fuel tank into an approved gasoline container. Use a funnel to avoid spilling fuel. Rinse the fuel tank with nonflammable solvent to remove any accumulated sediment.

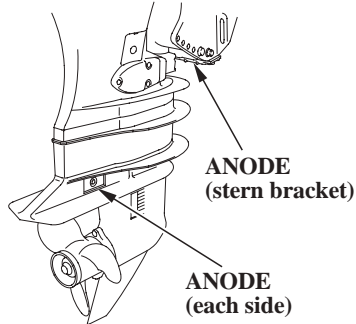
Fuel Tank Filter



1. Unscrew the fuel hose connector by turning it counterclockwise, then remove the fuel hose connector and fuel filter from the tank.
2. Clean the filter in nonflammable solvent. Inspect the fuel tank filter and the connector O-ring. Replace them if damaged.
3. Reinstall the filter and hose connector in the fuel tank. Tighten the hose connector securely.

SERVICING YOUR OUTBOARD MOTOR

Anode Replacement

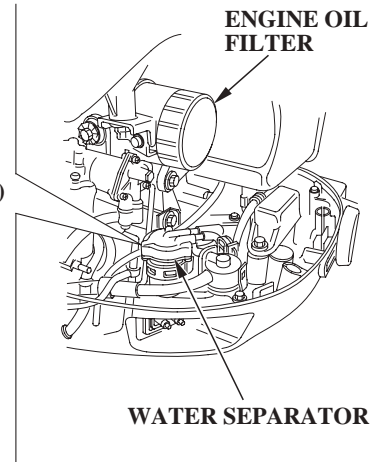
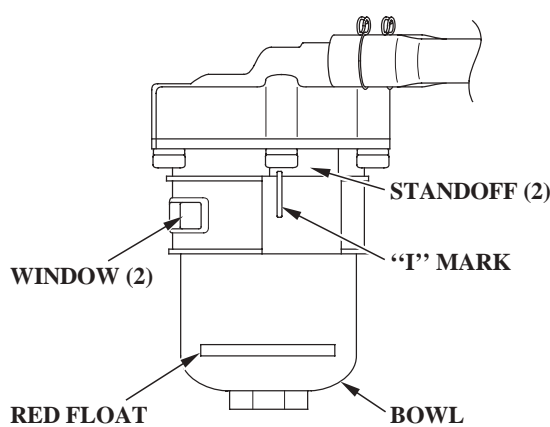


Anodes are located on each side of the gear case and on the stern bracket. They are made of a sacrificial material and help protect the outboard motor from corrosion. Replace the anodes when they are reduced to about half their original size, or if they are crumbling.

NOTICE

Painting or coating the anodes will defeat their purpose and will lead to rust and corrosion damage to the outboard motor. The anodes must be exposed to the water in order to protect the outboard motor.

Water Separator Inspection and Service



A water separator is located below the engine oil filter. If water gets past the water separator, the water can cause loss of power, hard starting, and/or possible fuel injection system damage. Check the water level in the water separator before each use. The red float will indicate the water level. When the red float lifts off the bottom of the bowl or if the red float is not visible, remove and clean the water separator. Consult with an authorized Honda Marine dealer for cleaning if necessary.

NOTICE

If the engine is operated with water in the water separator, water can enter the fuel injection system, resulting in fuel system damage.

SERVICING YOUR OUTBOARD MOTOR

⚠ WARNING

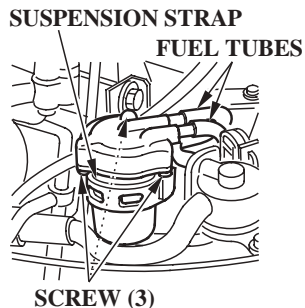
Gasoline is highly flammable and explosive.

You can be burned or seriously injured when handling fuel.

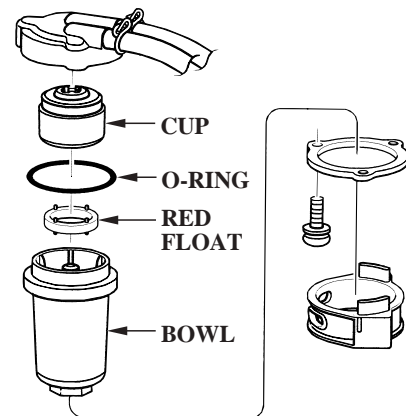
- Stop the engine and keep heat, sparks, and flame away.
- Handle fuel only outdoors.
- Wipe up spills immediately.

1. Disconnect the fuel connector (see page 78).
2. Remove the engine cover (see page 67).
3. Remove the water separator and suspension strap from the water separator bracket.

4. To prevent fuel leakage, clamp the fuel tubes with fuel tube clamps.
5. Remove the suspension strap, three screws, and bowl.



6. Thoroughly clean the bowl. Replace the O-ring and reassemble the water separator.
7. Install the suspension strap and align the 'I' mark with the screw (see page 81).
TIGHTENING TORQUE:
2.5 lbf·ft (3.4 N·m , 0.35 kgf·m)
8. Reattach the water separator to the water separator bracket.



9. Remove the fuel tube clamps and connect the fuel connector. Use the priming bulb to fill the water separator. Check for leaks and repair immediately, if necessary.

If excessive water or sediment was found in the water separator, inspect the fuel tank. Clean the fuel tank and fuel tank filter if necessary. It may be necessary to drain the fuel tank completely and refill with fresh gasoline.

Propeller Replacement

Before replacing the propeller, remove the emergency stop switch clip from the emergency stop switch to prevent any possibility of the engine being started while you are working with the propeller.

The propeller blades may have sharp edges, so wear heavy gloves to protect your hands.

Operating the outboard motor at higher altitudes will reduce available power. This may require decreasing the propeller pitch to maintain correct engine RPM.

Removal

1. Remove the cotter pin, unscrew the castle nut, remove the washer, and then remove the propeller and thrust washer.
2. Inspect the propeller shaft for any fishing line or debris.

Installation

1. Apply marine grade grease to the propeller shaft and beveled surface of the thrust washer.
2. Install the thrust washer with the grooved side toward the gear case.
3. Install the propeller and the plain washer.
4. Lightly tighten the castle nut by hand or wrench until the propeller has no free play.
5. Tighten the castle nut using a torque wrench.
CASTLE NUT TIGHTENING TORQUE:
0.7 lbf·ft (1.0 N·m, 0.1 kgf·m)
6. Then, using a torque wrench, tighten the castle nut until the first available groove in the castle nut aligns with the cotter pin hole. Do not tighten past the first alignment of the castle nut groove and the

cotter pin hole.

NOTICE

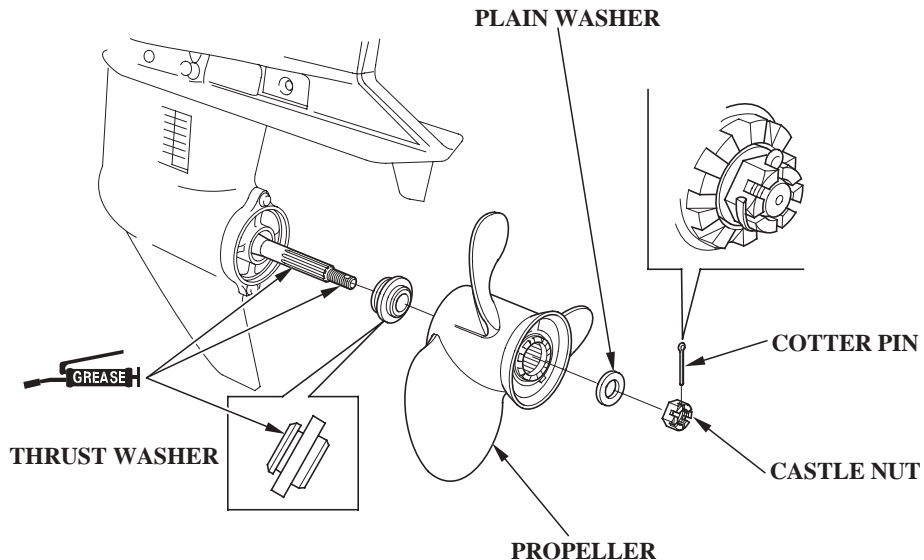
***TIGHTENING TORQUE LIMIT:**
33 lbf·ft (44 N·m, 4.5 kgf·m)
Do not tighten the castle nut above the **TIGHTENING TORQUE LIMIT**, or the propeller and shaft may be damaged.*

SERVICING YOUR OUTBOARD MOTOR

7. Be sure to replace the cotter pin with a new one with a new one.

- Use a Honda Genuine stainless steel cotter pin or equivalent cotter pin and bend the pin ends as shown.

Note that these wrenches are not included with the tool set that comes with the outboard motor. Contact your authorized Honda Marine dealer for additional tool information.



STORAGE PREPARATION

Proper storage preparation is essential for keeping your outboard motor trouble-free and looking good. The following steps will help to keep rust and corrosion from impairing your outboard motor's function and appearance, and will make the engine easier to start when you use the outboard motor again.

Cleaning and Flushing

Thoroughly clean and flush the outboard motor with fresh water after operation in dirty water or salt water. Touch up any damaged paint, and coat areas that may rust with corrosion inhibitor. Lubricate controls with a silicone spray lubricant.

NOTICE

Do not apply water or corrosion inhibitor directly to the electrical components under the engine cover, such as the AC generator and AC

generator belt, timing belt, or balancer belt. If water or corrosion inhibitor penetrates these components, they may be damaged. Before applying a corrosion inhibitor, cover the AC generator and belts with a protective material to prevent damage.

Cleaning

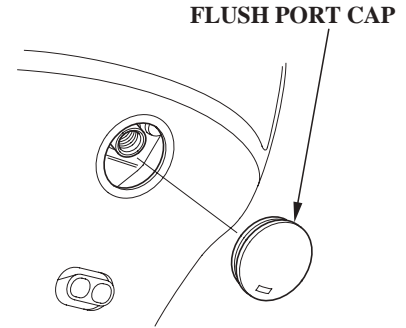
Wash the outside of the outboard motor with clean, fresh water, and flush the cooling system as follows.

Flushing With the Honda Garden Hose Adapter (optional equipment)

NOTICE

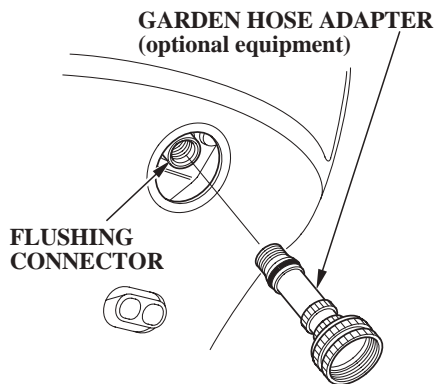
Do not run the motor when flushing the motor with a garden hose or the motor may be damaged.

For safety, remove the emergency stop switch clip so the engine cannot be started while you are standing near the propeller.

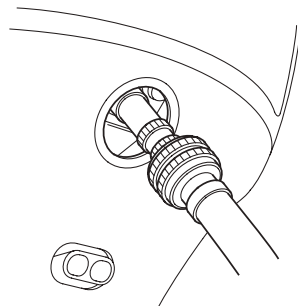


1. Remove the flush port cap.

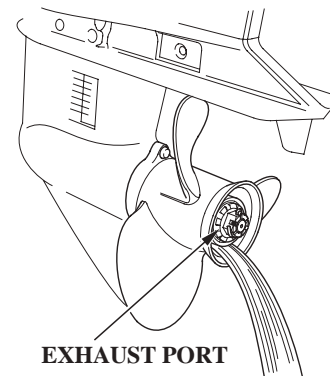
STORAGE



2. Screw the garden hose adapter into the flushing connector.



3. Attach a garden hose from a fresh water faucet to the garden hose adapter.



4. Turn on the fresh water supply and flush the outboard motor for at least 10 minutes.

5. After flushing, remove the garden hose adapter, and install the flush port cap.

Fuel

Gasoline will oxidize and deteriorate in storage. Old gasoline will cause hard starting, and it leaves gum deposits that clog the fuel system. If the gasoline in your fuel tank and vapor separator deteriorates during storage, you may need to have the vapor separator and other fuel system components serviced or replaced.

The length of time that gasoline can be left in your fuel tank and vapor separator without causing functional problems will vary with such factors as gasoline blend, your storage temperatures, and whether the fuel tank is partially or completely filled. The air in a partially filled fuel tank promotes fuel deterioration. Very warm storage temperatures accelerate fuel deterioration. Fuel deterioration problems may occur within a few months, or even less if the gasoline was not fresh when you filled the fuel tank.

You can extend fuel storage life by adding a gasoline stabilizer that is formulated for that purpose, or you can avoid fuel deterioration problems by draining all the fuel from the fuel tank and vapor separator.

The *Distributor's Limited Warranty* does not cover fuel system damage or engine performance problems resulting from neglected storage preparation.

Adding a Fuel Stabilizer

When adding a fuel stabilizer, fill the fuel tank with fresh gasoline. If only partially filled, air in the tank will promote fuel deterioration during storage. If you keep an additional container of gasoline for refueling, be sure that it contains only fresh gasoline.

1. Drain the vapor separator before adding fuel stabilizer.
2. Add fuel stabilizer following the manufacturer's instructions.

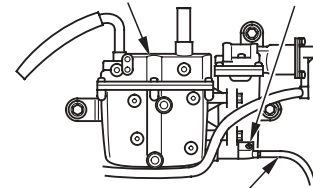
Honda recommends that you use genuine Honda Fuel Stabilizer, available from your authorized Honda Marine dealer.

3. After adding a fuel stabilizer, run the engine in water for 10 minutes to be sure that the treated gasoline has replaced the untreated gasoline in the vapor separator.
4. Turn the engine OFF.

Draining the Fuel System

You can avoid fuel deterioration problems by draining the fuel tank and vapor separator.

VAPOR SEPARATOR DRAIN SCREW



DRAIN HOSE

1. Remove the drain hose from the silencer case.

STORAGE

2. Connect the drain hose to the drain joint of the vapor separator and set the other end of the hose toward the outside of the engine undercase. Place an approved gasoline container below the fuel drain outlet, and use a funnel to avoid spilling fuel.
3. Tilt up the outboard motor.

WARNING

Gasoline is highly flammable and explosive.

You can be burned or seriously injured when handling fuel.

- Stop the engine and keep heat, sparks, and flame away.
- Handle fuel only outdoors.
- Wipe up spills immediately.

4. Loosen the vapor separator drain screw and drain the vapor separator.
5. After draining thoroughly, tighten the drain screw securely.
6. Install the drain hose to the silencer case.
7. Drain the fuel tank into an approved gasoline container or, if you need to store fuel in the fuel tank, you can extend fuel storage life by filling the fuel tank with fresh gasoline and adding a fuel stabilizer that is formulated for that purpose.

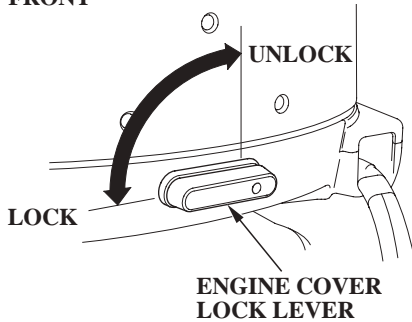
If using the portable fuel tank (optional equipment), firmly close the fuel tank vent knob.

Engine Oil

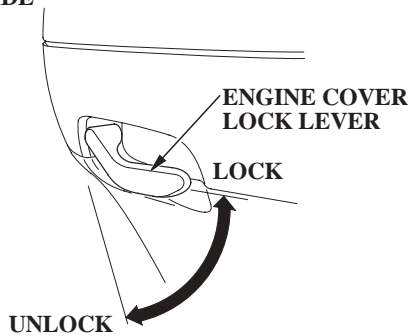
1. Change the engine oil and the oil filter (p. 70 – 72).
2. Remove the spark plugs (p. 74), and remove the emergency stop switch clip from the emergency stop switch.
3. Pour 1 – 2 teaspoons (5 – 10 cm³) (p. 102) of clean engine oil into each cylinder.
4. Rotate the engine a few revolutions to distribute the oil in the cylinders.
5. Reinstall the spark plugs (p. 75).

HOISTING THE OUTBOARD MOTOR

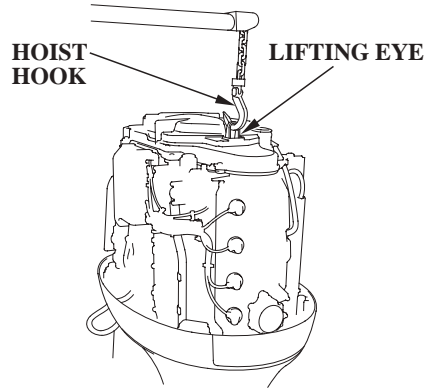
FRONT



SIDE



1. Unlock and remove the engine cover.



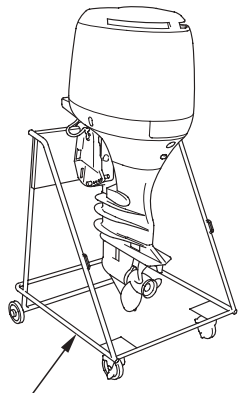
2. Attach the hoist hook to the lifting eye.
3. Disconnect the outboard motor from the boat, hoist the outboard motor, and move it to the storage area.
4. After the outboard motor is placed in storage and disconnected from the hoist, install the engine cover.

STORAGE PRECAUTIONS

Select a well-ventilated storage area. If possible, avoid storage areas with high humidity.

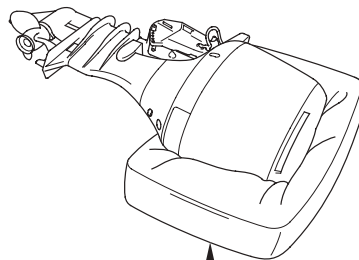
If storing a container of gasoline, such as the portable fuel tank (optional equipment), store it away from any appliance that operates with a flame, such as a furnace, water heater, or clothes dryer. Also avoid any area with a spark producing electric motor, or where power tools are operated.

STORAGE



OUTBOARD MOTOR STAND

If the outboard motor will be removed from the boat for storage, we recommend storing it vertically by mounting it on a commercially available stand.



PROTECTOR

If it is necessary to store the outboard motor horizontally, drain the vapor separator (p. 87), and drain the engine oil (p. 70), before removing the outboard motor from the boat.

Rest the motor on a cushion of protective material.

Cover the outboard motor to keep out dust. Do not use plastic sheet as a dust cover. A nonporous cover will trap moisture, promoting rust and corrosion.

REMOVAL FROM STORAGE

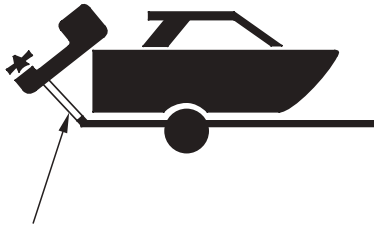
Check your outboard motor as described in the *BEFORE OPERATION* chapter of this manual.

If the cylinders were coated with oil during storage preparation, the engine may smoke briefly at startup. This is normal.

WITH OUTBOARD MOTOR INSTALLED ON BOAT

When trailering a boat with the outboard motor attached, leave the engine in the normal running position, if possible.

Use a motor support bar to prevent the outboard motor from moving while trailering the boat. Refer to the manufacturer's instructions for using a motor support bar.



MOTOR SUPPORT BAR
(commercially available)

WITH OUTBOARD MOTOR REMOVED FROM BOAT

Secure the outboard motor in either the vertical or horizontal position shown on p. 89 – 90 .

TAKING CARE OF UNEXPECTED PROBLEMS

ELECTRIC STARTER WILL NOT OPERATE	Possible Cause	Correction
1. Check battery.	Battery connections loose or corroded.	Clean and tighten battery connections.
	Battery discharged.	Recharge battery.
2. Check fuses.	Fuse(s) burnt out.	Replace fuse(s) (p. 97).
3. Use starting procedure (p. 44 , 47 , 50), then take outboard motor to an authorized Honda Marine dealer, or refer to the shop manual.	Starter malfunction, switch malfunction, or electrical problem in the starting circuit.	Replace or repair faulty components as necessary.

TAKING CARE OF UNEXPECTED PROBLEMS

ENGINE WILL NOT START	Possible Cause	Correction
1. Check emergency stop switch clip.	Clip not inserted in emergency stop switch.	Insert clip in emergency stop switch.
2. Check control positions.	Control lever not in neutral position.	Shift to neutral.
	Fast idle lever raised (side-mount type).	Leave fast idle lever OFF (p. 45).
3. Check fuel.	Out of fuel.	Refuel (p. 76).
	Fuel vent closed (portable fuel tank).	Open fuel tank vent (p. 38).
	Fuel hose not primed.	Squeeze priming bulb (p. 44).
	Fuel filter or fuel tank filter clogged.	Replace fuel filter (p. 78). Clean fuel tank filter (p. 80).
	Bad fuel; boat stored without treating or draining gasoline, or refueled with bad gasoline.	Drain fuel tank and vapor separator (p. 87). Refill with fresh gasoline (p. 76).

TAKING CARE OF UNEXPECTED PROBLEMS

ENGINE WILL NOT START (continued)	Possible Cause	Correction
4. Check water separator.	Water separator full of water. (The water separator red float has risen off the bottom of the bowl.)	Clean water separator (p. 81).
5. Remove and inspect spark plugs.	Spark plugs faulty, fouled, or improperly gapped.	Gap or replace spark plugs (p. 74).
	Spark plugs wet with fuel (flooded engine).	Dry and install the spark plugs. Start the engine with the throttle open using the fast idle lever or fast idle button.
6. Take outboard motor to an authorized Honda Marine dealer, or refer to the shop manual.	Fuel system malfunction, fuel pump failure, ignition malfunction, stuck valves, etc.	Replace or repair faulty components as necessary.

TAKING CARE OF UNEXPECTED PROBLEMS

HARD STARTING OR STALLS AFTER STARTING	Possible Cause	Correction
1. Check control positions.	Fast idle lever raised (side-mount type).	Leave fast idle lever OFF (p. 45).
2. Check fuel.	Fuel vent closed (portable fuel tank).	Open fuel tank vent (p. 38).
	Fuel hose not primed.	Squeeze priming bulb (p. 44).
	Fuel filter or fuel tank filter clogged.	Replace fuel filter (p. 77). Clean fuel tank filter (p. 80).
	Bad fuel; boat stored without treating or draining gasoline, or refueled with bad fuel.	Drain fuel tank and vapor separator (p. 87). Refill with fresh gasoline (p. 76).
3. Check water separator.	Water separator full of water. (The water separator red float has risen off the bottom of the bowl.)	Clean water separator (p. 81).

TAKING CARE OF UNEXPECTED PROBLEMS

HARD STARTING OR STALLS AFTER STARTING (continued)	Possible Cause	Correction
3. Remove and inspect spark plugs.	Spark plugs faulty, fouled, or improperly gapped.	Gap or replace spark plugs (p. 74).
4. Take outboard motor to an authorized Honda Marine dealer, or refer to the shop manual.	Fuel system malfunction, fuel pump failure, ignition malfunction, etc.	Replace or repair faulty components as necessary.

ENGINE OVERHEATS	Possible Cause	Correction
1. Check water intake screens.	Water intake screens clogged.	Clean water intake screens.
2. Take outboard motor to an authorized Honda Marine dealer, or refer to the shop manual.	Faulty thermostat or water pump.	Replace or repair faulty components as necessary.

TAKING CARE OF UNEXPECTED PROBLEMS

BATTERY WILL NOT CHARGE AND ELECTRIC STARTER WILL NOT OPERATE

The battery-charging (ACG) circuit and the electric starter relay circuit are protected by the 10 and 30-ampere main fuses and 90-ampere ACG fuse. If a fuse burns out, the engine will not charge the battery, and the electric starter will not operate.

The ignition switch is protected by the 10-ampere main fuse. If the fuse burns out, the engine will not start or run, and the power trim/tilt switch will not operate.

Fuse Replacement

NOTICE

Disconnect the battery cable at the battery negative (–) terminal before replacing the fuse.

Failure to do so may cause a short circuit.

Main Fuse

1. Stop the engine and disconnect the battery cable.
2. Remove the engine cover.
3. Remove the fuse covers.
4. Remove and inspect the fuses. If a fuse is burnt out, install a replacement fuse of the specified rating. The outboard motor is supplied with spare fuses in the fuse holders.

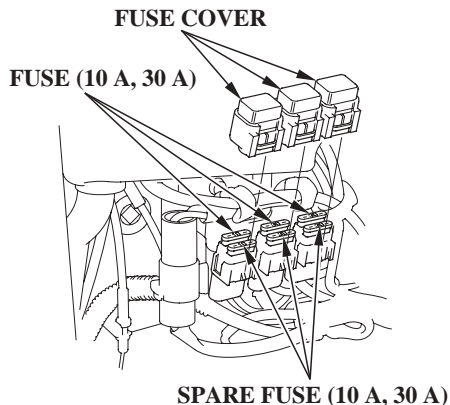
MAIN FUSE RATINGS:

10 A, 30 A

NOTICE

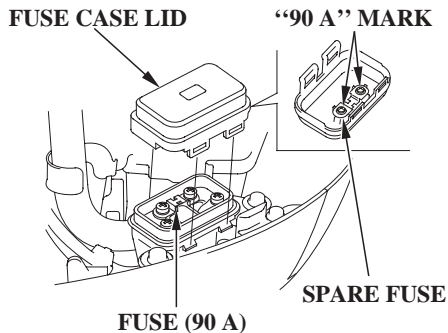
Never use a fuse with a rating greater than specified. Serious damage to the electrical system could result.

TAKING CARE OF UNEXPECTED PROBLEMS



5. Reinstall the fuse covers and the engine cover.
6. Reconnect the battery.
Before further operation, try to determine and correct the electrical problem that caused the fuse to burn out. An uncorrected electrical problem may cause the fuse to burn out again.
If fuses continue to blow, take the outboard motor to an authorized Honda Marine dealer for inspection and service, or refer to the shop manual.

ACG Fuse



Replacement

1. Stop the engine and disconnect the battery cable.
2. Remove the engine cover.
3. Remove the fuse case lid.
4. Remove the old fuse by removing two 5 mm screws.

5. Install a new fuse with the "90 A" mark downward, reinstall the two 5 mm screws.

ACG FUSE: 90 A

6. After finishing replacement, install the fuse case lid with its hook toward the engine side.
7. Be sure the fuse case lid is securely locked.
8. Reinstall the engine cover.
9. Reconnect the battery.

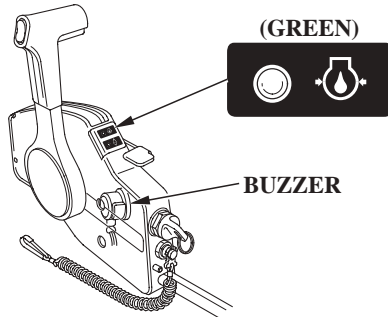
A spare fuse is located on the reverse side of the fuse case lid and tightened with two 3 mm screws.

When the new fuse is set as a spare fuse on the reverse side of the fuse case lid, set the fuse so that you can see the "90 A" mark on it.

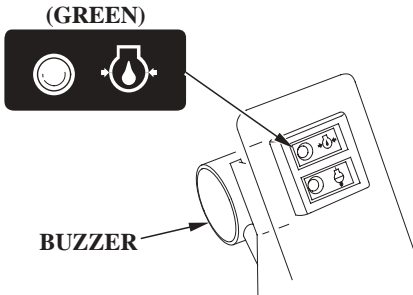
TAKING CARE OF UNEXPECTED PROBLEMS

OIL PRESSURE INDICATOR GOES OFF AND ENGINE SPEED IS LIMITED

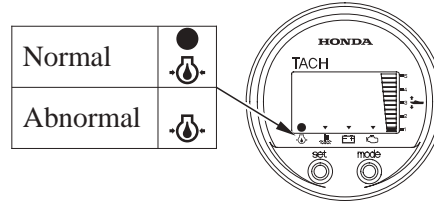
Side-Mount Type



Panel-Mount/Top-Mount Types



Digital Tachometer



If oil pressure becomes low, the oil pressure indicator will go off, and the engine protection system limits engine speed. If you are at cruising speed, engine speed will decrease automatically.

The oil pressure indicator is also equipped with a buzzer that sounds when the oil pressure indicator goes off.

Low oil pressure may be the result of a low engine oil level, or there may be a problem with the engine lubrication system.

If the throttle is closed suddenly after full throttle operation, engine speed may drop below the specified idle rpm, and that could activate the engine protection system momentarily.

If low oil pressure activates the engine protection system, stop the engine, check the engine oil level (p. 69), and add oil if needed.

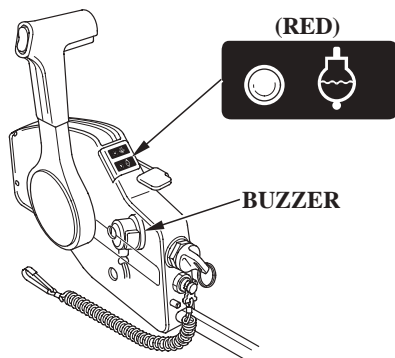
With the engine oil at the recommended level, restart the engine. If the lubrication system is OK, the oil pressure indicator should come on within 30 seconds, and the engine will respond normally to throttle control lever operation.

If the engine protection system remains activated after 30 seconds, return to the nearest boat landing, and have the outboard motor inspected by an authorized Honda Marine dealer.

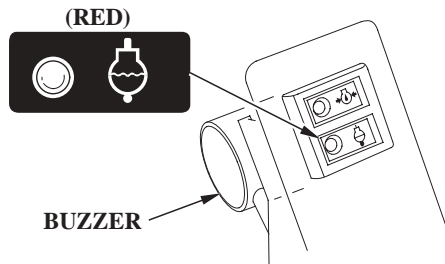
TAKING CARE OF UNEXPECTED PROBLEMS

OVERHEAT INDICATOR COMES ON AND ENGINE SPEED IS LIMITED

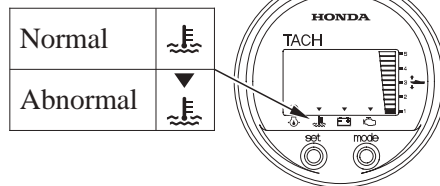
Side-Mount Type



Panel-Mount/Top-Mount Types



Digital Tachometer



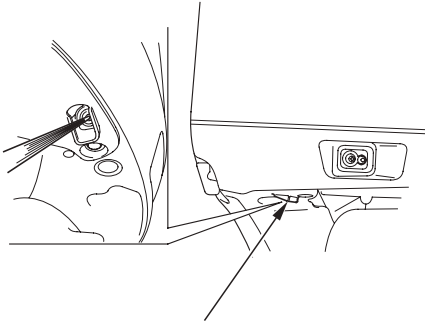
If the engine overheats, the overheat indicator will come on, and the engine will stop in 20 seconds after the engine protection system limits engine speed. If you are at cruising speed, engine speed will decrease automatically.

All types are equipped with a buzzer that sounds when the overheat indicator comes on.

Engine overheating may be the result of clogged water intake screens, or there may be a problem with the cooling system thermostat or water pump.

If the engine is stopped after running at full throttle, and then restarted soon afterward, that could activate the engine protection system momentarily.

TAKING CARE OF UNEXPECTED PROBLEMS



COOLING SYSTEM INDICATOR

If overheating activates the engine protection system, idle the engine in neutral, and check the cooling system indicator.

If water is flowing from the cooling system indicator, continue idling for 30 seconds. If the cooling system is OK, the overheat indicator should go off within 30 seconds, and the engine will respond normally to throttle control lever operation.

If there is no water flowing from the cooling system indicator, stop the engine, and tilt the outboard motor to inspect the water intake screens. If clogged, clean the water intake screens, return the outboard motor to the running position, restart the engine, and check the cooling system indicator again.

If there is still no water flowing from the cooling system indicator, or if the engine protection system remains activated after 30 seconds, return to the nearest boat landing, and have the outboard motor inspected by an authorized Honda Marine dealer.

TAKING CARE OF UNEXPECTED PROBLEMS

SUBMERGED MOTOR

A submerged outboard motor must be serviced immediately after it is recovered from the water in order to minimize corrosion.

If there is a Honda Marine dealership nearby, take the motor to the dealer immediately. If you are far from a dealership, proceed as follows:

1. Remove the engine cover, and rinse the outboard motor with fresh water to remove salt water, sand, mud, etc.
2. Drain the vapor separator as described on p. 87 .

3. Change the engine oil and oil filter as described on p. 70 – 72 . If there was water in the engine crankcase, or if the used engine oil showed signs of water contamination, then a second engine oil change should be performed after running the engine for half an hour.

4. Remove the spark plugs (p. 74). Operate the starter to expel water from the engine's cylinder.

5. Pour a teaspoon (p. 88) of engine oil into each spark plug hole to lubricate the inside of the cylinders. Reinstall the spark plugs.

If the engine was running when it submerged, there may be mechanical damage, such as bent connecting rods. If the engine binds when cranked, do not attempt to run the engine until it has been repaired.

6. Attempt to start the engine (be sure the water level is at least 2 inches above the antiventilation plate).

If you are changing the oil filter while the outboard motor is out of the water, use commercially available ear muffs and water hose to supply water.

NOTICE

Running the outboard motor without sufficient cooling water will damage the water pump and overheat the engine. This type of damage is not covered by the Distributor's Limited Warranty (p. 115).

If the engine fails to start, remove the spark plugs, clean and dry them, then reinstall the spark plugs and attempt to start the engine again.

If the engine starts, and no mechanical damage is evident, continue to run the engine for a half hour or longer. Be sure the water level is at least 2 inches (5 cm) above the antiventilation plate to avoid overheating and water pump damage.

7. As soon as possible, take the outboard motor to an authorized Honda Marine dealer for inspection and service.

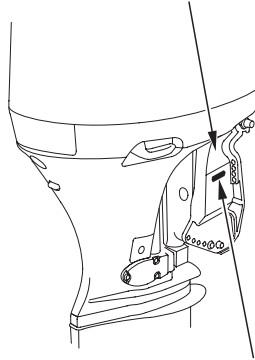
TECHNICAL AND CONSUMER INFORMATION

TECHNICAL INFORMATION

Serial Number Locations

Record the product identification number, the engine serial number, and the date of purchase in the space provided on this page. You will need these numbers when ordering parts, and when making technical or warranty inquiries (p. 112).

RIGHT STERN BRACKET

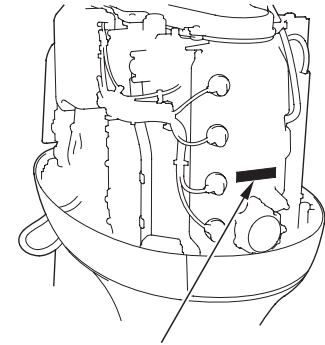


PRODUCT IDENTIFICATION NUMBER

The product identification number is stamped on a plate attached on the right stern bracket.

Product identification number:

Date of purchase:



ENGINE SERIAL NUMBER

The engine serial number is stamped on the cylinder head on the back of the engine.

Engine serial number:

Battery

For complete information, refer to the battery manufacturer's instructions.

Minimum Requirements

12V — 64Ah/5HR (80Ah/20HR)
(CCA622)

NOTICE

- *Be careful to avoid connecting the battery in reverse polarity, as this will damage the battery-charging system in the outboard motor.*
- *Do not disconnect the battery cables while the engine is running. Disconnecting the cables while the engine is running will damage the outboard motor's electrical system.*
- *Battery cable extension: Extending the original battery cable will cause the battery voltage to drop due to the increased length of the cable and number of connections. This voltage drop may cause the buzzer to sound momentarily when*

engaging the starter motor and may prevent the outboard from starting. If the outboard starts and the buzzer sounds momentarily, there may be barely sufficient voltage reaching the engine.

WARNING: Battery posts, terminals, and related accessories contain lead and lead compounds. **Wash your hands after handling.**

TECHNICAL AND CONSUMER INFORMATION

Emission Control System Information

Source of Emissions

The combustion process produces carbon monoxide, oxides of nitrogen, and hydrocarbons. Control of hydrocarbons and oxides of nitrogen is very important because, under certain conditions, they react to form photochemical smog when subjected to sunlight. Carbon monoxide does not react in the same way, but it is toxic.

Honda utilizes appropriate air/fuel ratios and other emissions control systems to reduce the emissions of carbon monoxide, oxides of nitrogen, and hydrocarbons.

PGM-FI System

The PGM-FI system uses sequential multiport fuel injection. It has two subsystems: Engine Control, and Fuel Control. The Engine Control Module (ECM) uses various sensors to determine how much air is going into the engine. It then controls how much fuel to inject under all operating conditions.

Ignition Timing Control System

The system constantly adjusts the ignition timing, reducing the amount of HC, CO, and NO_x produced.

The U.S. and California Clean Air Acts

EPA and California regulations require all manufacturers to furnish written instructions describing the operation and maintenance of emission control systems.

The following instructions and procedures must be followed in order to keep the emissions from your Honda engine within the emission standards.

Tampering and Altering

Tampering with or altering the emission control system may increase emissions beyond the legal limit. Among those acts that constitute tampering are:

- Removal or alteration of any part of the intake, fuel, or exhaust systems.
- Alterations that would cause the engine to operate outside its design parameters.

Problems That May Affect Emissions

If you are aware of any of the following symptoms, have your engine inspected and repaired by your servicing dealer.

- Hard starting or stalling after starting.
- Rough idle.
- Misfiring or backfiring under load.
- Afterburning (backfiring).
- Black exhaust smoke or high fuel consumption.

Replacement Parts

The emission control systems on your Honda engine were designed, built, and certified to conform with EPA and California emission regulations. We recommend the use of Honda Genuine parts whenever you have maintenance done. These original-design replacement parts are manufactured to the same standards as the original parts, so you can be confident of their performance. The use of replacement parts that are not of the original design and quality may impair the effectiveness of your emission control system.

A manufacturer of an aftermarket part assumes the responsibility that the part will not adversely affect emission performance. The manufacturer or rebuilder of the part must certify that use of the part will not result in a failure of the engine to comply with emission regulations.

TECHNICAL AND CONSUMER INFORMATION

Maintenance

Follow the maintenance schedule on (p. 64 and 65). Remember that this schedule is based on the assumption that your machine will be used for its designed purpose. Sustained high-load operation, or use in unusual conditions, will require more frequent service.

TECHNICAL AND CONSUMER INFORMATION

Star Label

A Star label was applied to this outboard motor in accordance with the requirements of the California Air Resources Board.

The Star Label means Cleaner Marine Engine

This engine has been certified as a:



The Symbol for Cleaner Marine Engines:

Cleaner Air and Water - for healthier lifestyle and environment.

Better Fuel Economy - burns up to 30 - 40 percent less gas and oil than conventional carbureted two-stroke engines, saving money and resources.

Longer Emission Warranty - protects consumer for worry-free operation.

TECHNICAL AND CONSUMER INFORMATION



One Star Low Emission

The one-star label identifies engines that meet the Air Resources Board's Personal Watercraft and Outboard marine engine 2001 exhaust emission standards. Engines meeting these standards have 75% lower emissions than conventional carbureted two-stroke engines. These engines are equivalent to the U.S. EPA's 2006 standards for marine engines.



Two Stars Very Low Emission

The two-star label identifies engines that meet the Air Resources Board's Personal Watercraft and Outboard marine engine 2004 exhaust emission standards. Engines meeting these standards have 20% lower emissions than One Star-Low Emission engines.



Three Stars Ultra Low Emission

The three-star label identifies engines that meet the Air Resources Board's Personal Watercraft and Outboard marine engine 2008 exhaust emission standards or the Sterndrive and Inboard marine engine 2003-2008 exhaust emission standards. Engines meeting these standards have 65% lower emissions than One Star-Low Emission engines.



Four Stars Super Ultra Low Emission

The four-star label identifies engines that meet the Air Resources Board's Sterndrive and Inboard marine engine 2009 exhaust emission standards. Personal Watercraft and Outboard marine engines may also comply with these standards. Engines meeting these standards have 90% lower emissions than One Star-Low Emission engines.

Cleaner Watercraft - Get the Facts
1-800-END-SMOG
www.arb.ca.gov

TECHNICAL AND CONSUMER INFORMATION

Specifications

MODEL	BF115A			
Description code	BZBD			
Type	LA	LC	XA	XC
Overall length	32.5 in (825 mm)			
Overall width	21.7 in (550 mm)			
Overall height	65.0 in (1,650 mm)		69.9 in (1,775 mm)	
Transom height (when transom angle at 12°)	21.1 in (537 mm)		26.1 in (664 mm)	
Dry mass [weight] *	489 lbs (222 kg)		500 lbs (227 kg)	
Rated power	85.8 kW (115 HP)			
Full throttle range	5,000–6,000 rpm			
Engine type	4 stroke OHC in-line 4 cylinder			
Displacement	137.5 cu-in (2,254 cm ³)			
Spark plug gap	0.028–0.031 in (0.7–0.8 mm)			
Starter system	Electric starter			
Ignition system	Fully transistorized, battery ignition			
Lubrication system	Trochoid pump pressure lubrication			
Specified oil	Engine: API standard (SG, SH or SJ oil) SAE 10W-30 Gear case: API standard (GL-4) SAE 90 outboard motor gear oil			
Oil capacity	Engine: 5.9 US qt (5.6 L) without oil filter change 6.1 US qt (5.8 L) with oil filter change Gear case: 1.00 US qt (0.95 L)			

CARB star label	ULTRA · LOW EMISSION
D.C. output	12V – 40A
Cooling system	Water cooling with thermostat
Exhaust system	Water exhaust
Spark plugs	KJ22CR-L8 (DENSO) ZFR7F (NGK)
Fuel pump	High pressure side: Electric type Low pressure side: Mechanical type
Fuel	Unleaded gasoline (86 pump octane or higher)
Gear change	Forward-Neutral-Reverse (dog type)
Steering angle	30° right and left
Transom angle	5 stages (8°, 12°, 16°, 20°, 24°)
Tilt up angle (when transom angle at 12°)	Stageless (72°)
Trim angle (when transom angle at 12°)	– 4° to 16°

Tune Up

Spark plug gap	0.028–0.031 in (0.7–0.8 mm)	See page 74
Idle speed	750 ± 50 rpm	See shop manual
Valve clearance (cold)	Intake: 0.26 ± 0.02 mm Exhaust: 0.30 ± 0.02 mm	See shop manual
Other specifications	No other adjustments needed	

* Without battery cable, with propeller
Honda outboards are power rated in accordance with NMMA procedures and using the ICOMIA standard 28/23.

TECHNICAL AND CONSUMER INFORMATION

CONSUMER INFORMATION

Honda Publications (United States, Puerto Rico, and U.S. Virgin Islands)

These publications will give you additional information for maintaining and repairing your outboard motor.

Shop Manual

This manual covers complete maintenance and overhaul procedures. It is intended to be used by a skilled technician.

Available through your Honda Marine dealer or through Helm Inc. at
1 888-292-5395 or
visit www.Honda-marine.com
and click on OWNERS.

Parts Catalog

This manual provides complete, illustrated parts lists. The catalog is available through your Honda Marine dealer.

Accessory Catalog

Your authorized Honda Marine dealer offers a wide selection of accessories (optional equipment, oils, and lubricants) to enhance your boating experience.

Visit www.honda-marine.com and click on accessories to see the entire catalog of accessories.

Customer Service Information

Contacting Honda

Your Owner's Manual was written to cover most of the questions you might ask about your Honda. Any questions not answered in the Owner's Manual can be answered by your Honda dealer. If your dealer doesn't have an immediate answer, they should be able to get it for you.

If you have a difference of opinion with your dealer, please remember that each dealership is independently owned and operated. That's why it's important to work to resolve any

differences at the dealership level. If the service personnel are unable to assist you, please discuss your concerns with the dealer management such as the Service Manager or the dealership's owner.

If you need to contact American Honda regarding your experiences with your Honda product or with your dealer, please send your comments to the following address:

American Honda Motor Co., Inc.
Marine Division
Customer Relations Office
4900 Marconi Drive
Alpharetta, GA 30005-8847
Telephone (770) 497-6400
M-F 8:30 am-7:00 pm (Eastern Time Zone)

Honda Canada Inc.
Customer Relations Office
Visit www.honda.ca for contact information
Tel: 1-888-946-6329 (Toll free)
Fax: 1-877-939-0909 (Toll free)

TECHNICAL AND CONSUMER INFORMATION

Please include the following information in your communication:

- Your name, address and telephone number (complete with area code)
- Model and complete serial number
- Date of purchase
- Name and location of selling dealer
- Name and location of servicing dealer (if different)
- A detailed description of your concerns

Warranty Coverage

Your new Honda is covered by the following warranties:

- Distributor's Limited Warranty
- Emission Control System Warranty

Please read the warranty statements contained in this manual. There are responsibilities, restrictions, and exclusions that apply to these warranties.

To obtain warranty service you must take your Honda outboard engine, together with proof of original retail purchase date, at your expense, to a Honda engine dealer or distributor authorized to sell that product in the United States, Puerto Rico, the U.S. Virgin Islands or Canada.

It is important to realize that your warranty applies to defects in material or workmanship of your Honda. Your warranty coverage does

not apply to normal wear or deterioration associated with using your Honda outboard.

Your warranty coverage will not be voided if you choose to perform your own maintenance. However, you should have the proper tools and service information and be mechanically qualified. Failures that occur due to modifications, improper maintenance, or service are not covered.

TECHNICAL AND CONSUMER INFORMATION

Warranty Service

Please remember that recommended maintenance interval servicing is not included in your warranty coverage. Additionally, your warranty does not apply to the normal wear of items (such as spark plug(s), water pump, etc.).

As the owner of a Honda product, your servicing dealer may ask you to authorize an inspection. If the problem is covered under warranty, your dealer will perform any warranty repairs for you at no cost. However, you may be responsible for additional non-warranty charges.

If you have questions about warranty coverage or the nature of the repair, it is best to talk to the service manager of your Honda dealer.

Sometimes, in spite of the best intentions of all concerned, a misunderstanding may occur. If you aren't satisfied with your dealer's

handling of the situation, we suggest you discuss your problem with the appropriate member of the dealership's management team. If the problem has already been reviewed with the appropriate manager of the Service, Parts, or Sales department, contact the owner of the dealership or their designated representative.

TECHNICAL AND CONSUMER INFORMATION

Warranty Statements

The American Honda Distributor's Limited Warranty applies to outboards purchased in the United States, Puerto Rico, or the U.S. Virgin Islands. The Honda Canada Distributor's Warranty applies to outboards purchased in Canada. The product warranty is only valid in the country where the product was purchased.

United states, Puerto Rico and Virgin Islands

Distributor's Limited Warranty

This warranty is limited to Honda Outboard Motors distributed by American Honda Motor Co., Inc., Power Equipment Division, 4900 Marconi Drive, Alpharetta, Georgia 30005-8847.

Products Covered by Warranty:	Length of Warranty: (from date of original retail purchase)		
	NONCOMMERCIAL/ NONRENTAL	COMMERCIAL/RENTAL	STATE/LOCAL/FEDERAL GOVERNMENT
All Models: Model Year 2000 and Newer*	36 months	12 months	24 months
Models BF115/BF130: All Model Years*	36 months	12 months	24 months
Models BF2 — BF90: Model Year 1999 and Earlier*	24 months	12 months	24 months
All Models purchased after July 1, 2008	60 months	12 months	24 months

*Models purchased prior to July 1, 2008 (unless previously purchased with True-5 warranty from a participating dealer).

To Qualify for This Warranty:

The Honda Outboard Motor must be purchased from American Honda or a dealer authorized by American Honda to sell Honda Outboard Motors in the United States, Puerto Rico, or the U.S. Virgin Islands. This limited warranty applies to the first retail purchaser and each subsequent owner during the applicable warranty time period.

What American Honda Will Repair or Replace Under Warranty:

American Honda will repair or replace, at its option, any part that is proven to be defective in material or workmanship under normal use during the applicable warranty time period. Warranty repairs and replacements will be made without charge for parts or labor. Anything replaced under warranty becomes the property of American Honda Motor Company, Inc.

TECHNICAL AND CONSUMER INFORMATION

All parts replaced under warranty will be considered as part of the original product and any warranty on those parts will expire coincidentally with the original product warranty.

To Obtain Warranty Service:

You must take your Honda Outboard Motor and proof of the original purchase date, at your expense, to any dealer who is authorized to service Honda Outboard Motors in the United States, Puerto Rico, or the U.S. Virgin Islands, during the dealer's normal business hours.

If you are unable to obtain warranty service, or are dissatisfied with the warranty service you receive, take the following steps: First, contact the owner of the dealership involved; normally this should resolve the problem. However, if you should require further assistance, write or call the Honda Marine Customer Relations. Please see *Contacting Honda* page 112 .

Exclusions:

This warranty does not extend to the following:

- Conditions caused by lack of routine maintenance (as outlined in the Owner's Manual)
- Conditions caused by the use of propeller (s) that do not allow the outboard motor to run in its recommended full throttle rpm range
- Operation inconsistent with the recommended operation/duty cycle (as outlined in the Owner's Manual)

- Parts affected or damaged by an accident, submersion and/or collision
- Normal wear and tear
- Fuel contamination and water entering engine through the fuel intake, air intake or exhaust system
- Operation with fuels, oils, additives and lubricants which are not suitable for use in the product
- Use in an application for which the outboard motor was not designed, such as racing or competitive use or any other misuse or neglect
- Incorporation of unsuitable attachments or parts
- The unauthorized alteration, improper installation and/or rigging, or any causes other than defects in material or workmanship
- Corrosion to steering system or electrical components, corrosion due to electrolysis, water born foreign chemicals, improper service or corrosion caused by damage or abuse
- Reimbursement for towing charges, in and out of water charges, or technician travel time
- Growth of marine organisms on motor surfaces, external or internal
- Any product that has ever been declared a total loss or sold for salvage by a financial institution or insurer, or that has been issued a "salvage" or similar title under any state's law.

TECHNICAL AND CONSUMER INFORMATION

Accessories and Replacement Parts

This warranty is limited to Honda Power Equipment parts, accessories and apparel when distributed by American Honda Motor Co., Inc., 1919 Torrance Blvd., Torrance, California 90501-2746.

Products Covered by Warranty:	Length of Warranty: (from date of original retail purchase)		
	Non Commercial	Commercial/Rental	Local/State/Federal Government
Accessories	12 months	3 months	3 months
Replacement Parts	6 months	3 months	3 months

To Qualify for This Warranty:

1. The accessories or replacement parts must be purchased from American Honda, or a dealer, distributor or distributor's dealer authorized by American Honda to sell those products in the United States, Puerto Rico, and the U.S. Virgin Islands. Installing parts and accessories on non-Honda products or engines voids this warranty.
2. You must be the first retail purchaser. This warranty is not transferable to subsequent owners.

What American Honda Will Repair or Replace Under Warranty:

American Honda will repair or replace, at its option, any marine product accessories or replacement parts that are proven to be defective in material or workmanship under normal use during the applicable warranty time period. Anything replaced under warranty becomes the property of American Honda Motor Company, Inc. All parts replaced under warranty will be considered as part of the original product and any warranty on those parts will expire coincidentally with the original product warranty.

Accessories and replacement parts, installed by a dealer who is authorized by American Honda to sell them, will be repaired or replaced under warranty without charge for parts or labor. If installed by anyone else, accessories and replacement parts will be repaired or replaced under warranty without charge for parts, but any labor charges will be the responsibility of the purchaser.

TECHNICAL AND CONSUMER INFORMATION

To Obtain Warranty Service:

You must take the Honda Outboard Motor product accessory or replacement part or the outboard motor or boat on which the accessory or replacement part is installed, and proof of purchase, at your expense, to any Honda Marine authorized service facility or dealer in the United States, Puerto Rico, or the U.S. Virgin Islands, during normal business hours.

Exclusions:

This warranty does not extend to accessories or parts affected or damaged by collision, normal wear, use in an application for which the product was not designed or any other misuse, neglect, incorporation or use of unsuitable attachments or parts, unauthorized alteration, improper installation, or any causes other than defects in material or workmanship of the product.

Installing parts and accessories on non-Honda products or engines voids this warranty.

Disclaimer of consequential damage and limitation of implied warranties:

American Honda disclaims any responsibility for loss of time or use of the outboard motor, or the boat on which the product is installed, transportation, commercial loss, or any other incidental or consequential damage. Any implied warranties are limited to the duration of this written warranty. Some states do not allow limitations on

how long an implied warranty lasts and/or do not allow the exclusion or limitation of incidental or consequential damages, so the above exclusions and limitations may not apply to you. This warranty gives you specific legal rights, and you may also have other rights which vary from state to state.

Emission Control System Warranty

Your new Honda outboard engine complies with both the U.S. EPA and State of California emission regulations. American Honda provides the same emission warranty coverage for outboard engines sold in all 50 states.

YOUR WARRANTY RIGHTS AND OBLIGATION

California

The California Air Resources Board and American Honda Motor Co., Inc. are pleased to explain the emission control system warranty on your 2001 and later Honda outboard engine. In California, new outboard engines must be designed, built, and equipped to meet California's stringent anti-smog emission standards in addition to the U.S. EPA emissions standards.

All States

In all areas of the United States your outboard engine must be designed, built, and equipped to meet the U.S. EPA Emission Standard for spark ignited marine engines. American Honda Motor Co., Inc. must warranty the emission control system on your outboard engine for the period of time listed below provided there has been no abuse, neglect, or improper maintenance of your outboard engine. Where a warranty condition exists, American Honda Motor Co., Inc. will repair your

outboard engine at no cost to you including diagnosis, parts and labor.

Your emission control system may include such parts as the carburetor or fuel injection system and catalytic converter. Also included may be hoses, connectors and other emission-related assemblies.

MANUFACTURER'S EMISSION CONTROL SYSTEM WARRANTY COVERAGE:

Your 2010 and later outboard engines are warranted for a minimum of five years or 250 hours of operation, whichever comes first, or the length of Honda Marine Distributor's Limited warranty, whichever is longer. However, warranty coverage based on the hourly period is only permitted for outboard engines equipped with appropriate hour meters. If any emission-related part on your outboard engine is defective under warranty, the part will be repaired or replaced by American Honda Motor Co., Inc.

TECHNICAL AND CONSUMER INFORMATION

OWNER'S WARRANTY RESPONSIBILITY:

As the outboard engine owner, you are responsible for the performance of the required maintenance listed in your owner's manual. American Honda Motor Co., Inc. recommends that you retain all receipts covering maintenance on your outboard engine, but American Honda Motor Co., Inc. cannot deny warranty solely for the lack of receipts or for your failure to ensure the performance of all scheduled maintenance.

As the outboard engine owner, you should, however, be aware that American Honda Motor Co., Inc. may deny you warranty coverage if your outboard engine or a part has failed due to abuse, neglect, improper maintenance, or unapproved modifications.

You are responsible for presenting your outboard engine to a Honda Marine dealer as soon as a problem exists.

The warranty repair should be completed in a reasonable amount of time, not to exceed 30 days.

If you have any questions regarding your warranty rights and responsibilities, you should contact American Honda Motor Co., Inc., Marine Division Customer Relations Office. Please see *Contacting Honda* page 112 .

WARRANTY COVERAGE:

Honda outboard engines certified to the CARB and EPA 2010 regulations are covered by this warranty for a minimum of five years or 250 hours of operation, whichever comes first, or the length of the Honda Marine Distributor's Limited warranty, whichever is longer from the date of delivery to the retail purchaser. This warranty is transferred to each subsequent purchaser for the duration of the warranty period.

Warranty repairs will be made without charge for diagnosis, parts and labor. All defective parts replaced under this warranty become the property of American Honda Motor Co., Inc. A list of warranty parts is on page 122 . Normal maintenance items, such as spark plugs and filters, that are on the warranted parts list are warranted up to their required replacement interval only.

American Honda Motor Co., Inc. is also liable for damages to other engine components caused by a failure of any warranted part during the warranty period.

Only Honda approved replacement parts will be used in the performance of any warranty repairs and they will be provided without charge to the owner. The use of replacement parts not equivalent to the original parts may impair the effectiveness of your engine's emission control system. If such a replacement part is used in the repair or maintenance of your engine, and an authorized Honda Marine dealer determines it is defective or causes a failure of a warranted part, your claim for your engine

TECHNICAL AND CONSUMER INFORMATION

may be denied. If the part in question is not related to the reason that your engine requires repair, your claim will not be denied.

TO OBTAIN WARRANTY SERVICE:

You must take your Honda outboard engine, along with your sales registration card or other proof of original purchase date, at your expense, to any Honda Marine dealer who is authorized by American Honda Motor Co., Inc. to sell and service that Honda Marine product during his normal business hours. Claims for repair or adjustment found to be caused solely by defects in material or workmanship will not be denied because the engine was not properly maintained and used.

If you are unable to obtain warranty service, or are dissatisfied with the warranty service you received, contact the owner of the dealership involved. Normally this should resolve your problem. However, if you require further assistance, write or call the Honda Marine Customer Relations Office of American Honda Motor Co., Inc.

EXCLUSIONS:

Failures other than those resulting from defects in material or workmanship are not covered by this warranty. This warranty does not extend to emission control systems or parts which are affected or damaged by owner abuse, neglect, improper maintenance, misuse, misfueling, improper storage, and/or collision, the incorporation of, or use of, unsuitable attachments, or the unauthorized alteration of any part.

This warranty does not cover replacement of expendable maintenance items made in connection with required maintenance service after the item's first scheduled replacement as listed in the maintenance section of the product owner's manual, such as: spark plugs and filters.

DISCLAIMER OF CONSEQUENTIAL DAMAGE AND LIMITATION OF IMPLIED WARRANTIES:

American Honda Motor Co., Inc. disclaims any responsibility for incidental or consequential damages such as loss of time or the use of outboard engine, or any commercial loss due to the failure of the equipment; and any implied warranties are limited to the duration of this written warranty. This warranty is applicable only where the California or U.S. EPA emission control system warranty regulation is in effect.

TECHNICAL AND CONSUMER INFORMATION

EMISSION CONTROL SYSTEM WARRANTY PARTS:

SYSTEMS COVERED BY THIS WARRANTY:	PARTS DESCRIPTION
Fuel Metering	Carburetor assembly, Throttle body, Fuel injector, Fuel pump, Fuel pressure regulator, Throttle position sensor, Intake air temperature sensor, Engine temperature sensor, Manifold absolute pressure sensor, Idle air control valve, Barometric pressure sensor, Fuel line solenoid valve, Intake manifold, Intake valves, and Oxygen sensor or Air fuel ratio sensor
Evaporative	Portable fuel tank, Fuel cap, Fuel hoses, Primer bulb, Fuel hose joint
Air Induction	Air intake duct, Vapor separator, Intake manifold tuning valve (Intake air bypass control valve)
Ignition	Flywheel magneto, Ignition pulse generator, Ignition coil assembly, Ignition control module, Engine control module, Crankshaft position sensor, Spark plug cap, Spark plug*, Knock sensor, and Camshaft position sensor
Lubrication system	Oil pump and internal parts
Crankcase Emission Control	Crankcase breather tube, Positive crankcase ventilation valve, Oil filler cap
Exhaust	Exhaust manifold and Exhaust valves
Valve Control System	Rocker arm oil control valve
Miscellaneous Parts	Tubeing, fittings, seals, gaskets, and clamps associated with these listed systems.
*Covered up to the first required replacement only. See the Maintenance Schedule on page 64 .	

Canada

Distributor's Warranty

HONDA CANADA INC., for and on behalf of Honda Motor Co. Ltd., Tokyo, Japan, gives the following written warranty on each new marine product manufactured by Honda Motor Co. Ltd., Japan, distributed in Canada by Honda Canada Inc. and sold by authorized Honda Marine dealers.

Whenever used herein, the word "Honda" refers to Honda Canada Inc. and/or Honda Motor Co. Ltd., as appropriate from the context.

HONDA WARRANTS THAT each new Honda marine product will be free, under normal use and maintenance, from any defects in material or workmanship for the relevant warranty period set forth below. If any defects should be found in a Honda marine product within the relevant warranty period, necessary repairs and replacements with a new part or the Honda equivalent shall be made at no cost to the consumer for parts and labour, when Honda acknowledges that such defects are attributable to faulty material or workmanship at the time of manufacture.

WARRANTY PERIOD RETAILED ON OR AFTER APRIL 1, 2005:

	Non-commercial use	Commercial use
All Honda Outboard Models	36 Months	12 Months

THIS WARRANTY COVERS

- a) Any Honda marine product purchased in Canada from an authorized Honda dealer which has been registered at the time of purchase on a form provided by Honda, which has had set-up and pre-delivery service performed by an authorized Honda dealer and which is normally operated in Canada;
- b) Any factory installed part (except normal maintenance parts referred to in "THIS WARRANTY DOES NOT COVER"); and
- c) Any marine product on which required maintenance services have been performed as prescribed in the Owner's Manual.

TECHNICAL AND CONSUMER INFORMATION

THIS WARRANTY DOES NOT COVER

- a) Any repairs required as a result of collision, accident, striking any object, misuse or lack of required maintenance;
- b) Any repairs required as a result of any attachments, parts or devices installed by or repairs done by a party other than an authorized Honda dealer;
- c) Any outboard that has been operated out of water, (Run Dry) damaging the water pump and or engine components due to insufficient cooling water.
- d) Any marine products modified, altered, disassembled or remodelled;
- e) Normal maintenance services, including tightening of nuts, bolts and fittings and engine tune-up and the replacement of parts made in connection with normal maintenance services including filters, spark plugs and wires, fuses, belts, lubricants and other expendables susceptible to natural wear;
- f) Outboard propeller or shear pin.
- g) All accessories or attachments.

THE OWNER'S OBLIGATION

In order to maintain the validity of this DISTRIBUTORS WARRANTY, the required maintenance services as set forth in the Owner's Manual must be performed at the proper intervals and detailed receipts and records retained as proof.

TO OBTAIN WARRANTY SERVICE

You must take your Honda marine product, at your expense, during normal service hours, to any authorized Honda Marine dealership. If you are unable to obtain or are dissatisfied with the warranty service you receive, first contact the owner of the dealership involved; this should resolve the problem. If you require further assistance, contact Honda Canada's Customer Relations Department at:

HONDA CANADA INC.

Visit www.honda.ca for address/contact information.

TELEPHONE: 1-888-946-6329 TOLL FREE

FAX : 1-877-939-0909 TOLL FREE

REPLACEMENT PARTS AND ACCESSORY WARRANTY

New genuine Honda replacement parts or accessories sold to a consumer or installed by an authorized Honda Marine dealer which are not covered by the **DISTRIBUTORS WARRANTY** are warranted for a period of one year from date of purchase, provided, however, that this Replacement Parts and Accessory Warranty does not apply to any replacement parts modified, used with, or installed on a marine product for which the replacement parts were not intended. Electrical components that are not installed by the dealer (sold over the counter) are not covered by warranty.

ENTIRE WRITTEN WARRANTY

This **DISTRIBUTORS WARRANTY** and the **REPLACEMENT PARTS AND ACCESSORY WARRANTY** are the only and the entire written warranties given by Honda for Marine engines. No dealer or his agent or employee is authorized to extend or enlarge on these warranties on behalf of Honda by any written or verbal statement or advertisement.

DISCLAIMER

To the extent the law permits, Honda disclaims any responsibility for loss of time or use of the product, transportation or towing costs or any other indirect, incidental or consequential damage, inconvenience or commercial loss.

NOTICE TO CONSUMER

The provisions contained in these written warranties are not intended to limit, modify, take away from, disclaim or exclude any warranties set forth in or the operation of The Consumer Products Warranties Act, 1977 (Saskatchewan), The Consumer Product Warranty and Liability Act (New Brunswick), The Consumer Protection Act (Quebec), or any other similar provincial or federal legislation.

INDEX

Alternator (ACG) Indicator.....	35
Anodes.....	37
Replacement.....	81
ARE YOU READY TO GET UNDERWAY?.....	39
Battery.....	105
BATTERY WILL NOT CHARGE AND ELECTRIC STARTER WILL NOT OPERATE.....	97
BEFORE OPERATION.....	39
BREAK-IN PROCEDURE.....	41
Common Controls.....	30
COMPONENT AND CONTROL LOCATIONS.....	14
CONSUMER INFORMATION.....	112
CONTROLS.....	19
CONTROL AND FEATURE IDENTIFICATION CODES.....	13
CONTROLS AND FEATURES.....	13
Cooling System Indicator.....	37
CRUISING.....	57
Customer Service information.....	112
Digital Speedometer (optional equipment).....	34
Digital Tachometer (optional equipment).....	34
Distributor's Limited Warranty.....	115
Distributor's Warranty.....	123

ELECTRIC STARTER WILL NOT OPERATE.....	92
Emergency Stop Switch Clip and Emergency Stop Switch.....	
Panel-Mount Type.....	23
Side-Mount Type.....	20
Top-Mount Type.....	26
Emission Control System Warranty.....	119
Engine	
Cover	
Lock Levers.....	32
Lock Lever Adjustment.....	68
Lock Lever Bracket Adjustment.....	68
REMOVAL AND INSTALLATION.....	67
Oil	
Change.....	70
Filter Change.....	71
Level Check.....	69
Recommendations.....	72
ENGINE OVERHEATS.....	96
ENGINE WILL NOT START.....	93

Fast Idle Button		Ignition Switch	
Panel-Mount Type.....	25	Panel-Mount Type.....	22
Top-Mount Type	29	Side-Mount Type	19
Fast Idle Lever.....	21	Top-Mount Type	26
Fuel		IMPORTANT SAFETY INFORMATION.....	7
Filler Cap Vent Knob (optional equipment).....	38	INDICATORS.....	35
Filter Inspection and Replacement.....	77	INSTRUMENTS.....	33
Gauge (optional equipment).....	34	IS YOUR OUTBOARD MOTOR	
HOSE CONNECTIONS	43	READY TO GO?.....	39
PRIMING	44		
Priming Bulb	38	Lubrication Points	73
RECOMMENDATIONS.....	77		
Water Separator Inspection and Service.....	81	MAINTENANCE SAFETY	62
		MAINTENANCE SCHEDULE	64
Gearshift/Throttle Control Lever		Malfunction Indicator	35
Panel-Mount Type.....	24	Manual Relief Valve	31, 67
Side-Mount Type	20	MOORING, BEACHING, LAUNCHING.....	59
Top-Mount Type	27		
GEARSHIFT AND THROTTLE OPERATION	55		
Panel-Mount Type.....	55		
Side-Mount Type	55		
Top-Mount Type	55		
HARD STARTING OR STALLS AFTER			
STARTING	95		
HOISTING THE OUTBOARD MOTOR	89		
Honda Publications	112		

INDEX

Oil Pressure Indicator	35
OIL PRESSURE INDICATOR LIGHT GOES	
OFF AND ENGINE SPEED IS LIMITED	99
OPERATION	41
OTHER FEATURES	37
OUTBOARD MOTOR SAFETY	7
Overheat Indicator	36
OVERHEAT INDICATOR COMES ON AND	
ENGINE SPEED IS LIMITED	100
Overrev Limiter	37
PORTABLE FUEL TANK	
(optional equipment)	38, 43
Portable Fuel Tank and Filter Cleaning	
(optional equipment)	80
Power Tilt Switch	31
Power Trim/Tilt Switch	30
Propeller Replacement	83
REFUELING	76
REMOVAL FROM STORAGE	90

SAFE OPERATING PRECAUTIONS	41
SAFETY LABEL LOCATIONS	9
Serial Number Locations	104
SERVICING YOUR OUTBOARD MOTOR	61
SHALLOW WATER OPERATIONS	59
Spark Plug Service	74
Specifications	111
Star Label	109
STARTING THE ENGINE	44
Panel-Mount Type	47
Side-Mount Type	44
Top-Mount Type	50
STEERING	56
STOPPING THE ENGINE	53
Emergency Engine Stopping	53
Normal Engine Stopping	53
STORAGE	85
STORAGE PRECAUTIONS	89
STORAGE PREPARATION	85
Cleaning and Flushing	85
Engine oil	88
Fuel	87
SUBMERGED MOTOR	102

Tachometer (optional equipment).....	33
TAKING CARE OF UNEXPECTED PROBLEMS.....	92
TECHNICAL AND CONSUMER INFORMATION.....	104
TECHNICAL INFORMATION.....	104
THE IMPORTANCE OF MAINTENANCE	61
Tilt Lock Lever.....	31
TOOL KIT (optional equipment).....	63
TRANSOM ANGLE ADJUSTMENT	42
Transom Angle Adjusting Rod	32
TRANSPORTING	91
WITH OUTBOARD MOTOR INSTALLED ON BOAT	91
WITH OUTBOARD MOTOR REMOVED FROM BOAT	91
Trim Meter (optional equipment)	33
Trim Tab.....	33
TRIM TAB ADJUSTMENT	66
Warranty Statements	115

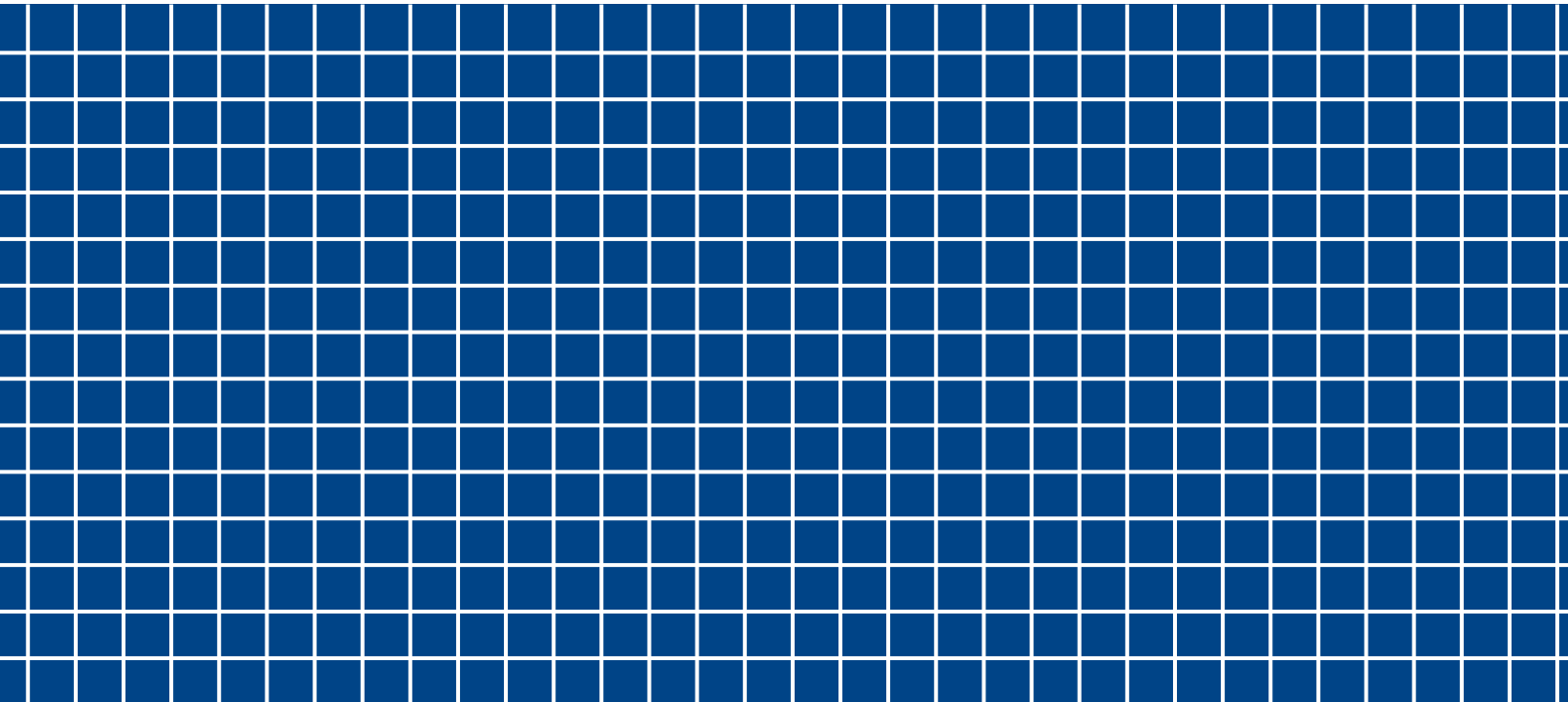
MEMO

MEMO

MEMO

HONDA

The Power of Dreams



31ZW5620
00X31-ZW5-6200

<https://www.boat-manuals.com/>



(AH) 英 © (HC) 150.2009.07
Printed in Japan

K0