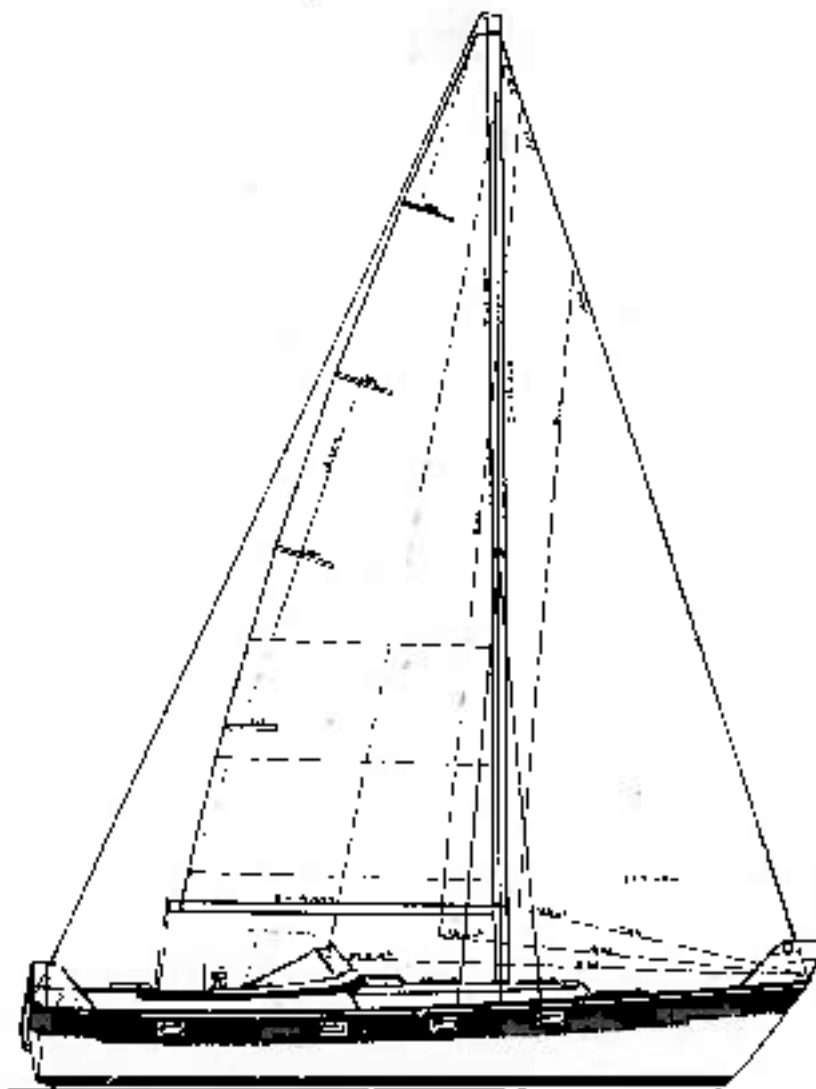


HR352



Hallberg Rassy

S-440 80 EROS
Tel: 0324-562 90. 71x. 2445
Telefax: 0324-512 31

<https://www.boat-manuals.com/>

We are pleased to hear that you have made the HALLBERG RASSY 352 your choice.

Probably you have sailed for years, you might even have had a boat from our yard before and know many details. Even so, please do not put this booklet away. In this we have tried to put together the most important instructions and hints that apply to the HR 38.

This booklet does not in any way claim to be complete and is not intended as an "Operation Manual" but deals primarily with details which are specifically related to this boat. As a rule the new owner always has to dedicate sufficient time in order to get himself acquainted with his new boat and its constructions. The responsibility for the proper maintenance is also up to the owner.

We wish you many happy days on your new HR 352.

All particulars in this booklet are given in good faith but are not guaranteed.



Certificate:

Each hull is built according to Lloyd's specifications for "Certificate of Hull Construction" and under personal supervision of Lloyd's surveyor in the respect of hull, deck and superstructure in GFR, main bulkheads, engine foundations, chainplates, roller with fittings and ball in fuel and water tanks. Hull moulding, Haines Note and Certificate are supplied.

Hull:

GFR. Colour: White, Marine blue decoration stripe above main rubbing strake. Underwater hull treated with GFR primer, 2-component primer and anticouling. Blue boat top. Built in longitudinal stringers. Ballast keel of iron, moulded in and completely protected in GFR. Fuel tank inside in GFR. Rudder main shaft Ø 40 mm bronze. Heavy cast roller fittings in bronze.

Deck and superstructure:

GFR-sandwich construction 25 mm with polyimide cellular plastic as core material for strength and insulation. Colour: ivory white. Hull and deck completely joined by overlapping the GFR laminate. Bulkhead formed in the deck and hull mouldings and filled with a solid caping in teak. Handrails, Companionway, Hatchcovers, Sole and seats in cockpit are all in 5-ply teak-look. Lid to cockpit on top of GFR deck, 1/2". The deck is provided with four 1" scuppers draining behind the waterline. Two 1 1/2" scuppers from the wing and separating cockpit.

Spars and rigging:

Spars and rigging from Selden Mast AB. Mast and boom made from silver anodized aluminium alloy. Mast 1.00x139 mm with one set of spreaders. The mast is provided with separate cable carriers, and floodlights. The mast is stepped on a base on the cabin top directly over a reinforced bulkhead. Chainplates are made of stainless steel. Halyard winches: Two Lewmar 16ST, reef winch Lewmar 7C. Main boom 150x105 mm with a modern slab reeling system (2 reef lineel + without flood light). Rigging screws: 3x8. Standing rigging: All shrouds and stays Ø 8 mm. Running rigging (all halyards are internal): Main halyard Ø 5 mm wire 4 rope (all genoa halyard Ø 5 mm wire 4 rope (all. Main sheet, jib (if purchased), genoa sheets, boom vang, orange halyard. Higher rig with 2 spreaders available. Detailed information on request.

Sails:

Fibreglass
Main sail, approx. 25 nr (269 sqft). Two reefs
Working jib approx. 27,5 nr (295 sqft)

Deck fittings:

Sheet winches, 2 Lewmar 49C 2-speed
Candlelights
Four 12" moving pistons
Two 16" moving cleats amphibis.
Cuprit in stainless steel
Built in rubbing strake with bronze anode. Double Velmas with four pairs of conical stations. Height 26". The yacht is delivered with permanent wind screens with hardened glass in light grey frames.
One windscreen panel is optional and is mounted with elastic clips. A canvas windproof protects the forward part of the cockpit. Handlights in 8 mm acrylic glass and light grey frames
Compass
Bike pump. International navigation light 4"
Rolling ladder on transom.

Loose equipment:

One anchor, 50 lbs. towing bowerman.
One anchor line 100'
Four mooring lines 33'.
Four fenders 8"
Boat hook
2 wrench handles 10" "Tuck in". One wrench handle pocket on chair
Flag staff
Cockpit table.

Steering:

Pedestal steering, chain and sprocket system with stainless wire transmission. Pedestal and cockpit. All shafts are fully covered steering wheel with adjustable motion control.

Engine:

Volvo Penta Diesel 2003 T. Output 32 HP (43 hp) at 3.200 rpm. Three cylinder turbo diesel with direct injection. The engine is fresh water cooled and equipped with oil cooler. Reverse and reduction gear type M22B single gear reduction. 2.4 l. instruments comprise tachometer, temp. gauge and rpm and acoustic warning.
Propeller: 3-blade, pitch 18", diameter 15" left hand
Propeller shaft Ø 30 mm, stainless steel. Engine and shaft carefully aligned and rubber suspended. Shaft bearing. Cutless water lubricated rubber bearing. "Axi" exhaust line in rubber with water lock and effective rubber silencer. Two half in fuel tanks 150 + 50 l (40 + 13 US gallons) with separate pump for draining eventual water or sludge. Water tank 300 l (80 + 56 US gal.)

All drains from the self-bailing cockpit, airbox, waterbasins are of durable plastic material. All through hull fittings are provided with seacocks. All hose cups in stainless steel. The engine compartment is sound insulated for lowest possible noise level. The engine is accessible from the passageway for service. A cutless panel in the cockpit is detachable for lifting the engine.

Electricity:

12 V electrical system, with two batteries, one for starting (60 Ah) and one separate circuit for consumption, 140 Ah. One 50 amp engine driven alternator for charging the two separate circuits over a diode diode set. Batteries in closed, vented compartment.
Air wiring with adequate sectional areas. The cables are where possible protected in plastic pipes or hoses. 13 cabin lights and 2 fluorescent lights, one in galley and one in engine room. Control switch panel in navigation desk with fuses and switches for the different circuits. Water and fuel gauge, voltmeter and 2 12 V outlets. Two main switches at the companionway ladder.

Accommodation:

First class workmanship in selected mahogany, hand rubbed and treated to a soft smooth finish. The accommodation consists from forward of
Water and gas tight locker for liquid gas bottles, anchor chain locker. The space is accessible from deck and raised overboard.

Forward cabin with two comfortable berths. Length of berths 2 (15 m 4' 8"). Bunk between berths. Stow room below berths.

Inside of hull head with manopany. Cupboard forward in cabin above berths. Shelves at the sides. A door separates the forward cabin from the passage to the main cabin. On the side of the passageway two good-sized hanging lockers. On port side an unusually roomy toilet cabin with marine head. Wash basin in porcelain, sunk into the countertop. Mirror and toilet lockers. The floor is made as a shower stall with peak galling cover oxidized well. Headlight 1,85 m (6'). The main cabin is built with fair standard berths Port and Star. Port side sofa is made as a L-sofa. The sofas are 6'6". Back shelves and lockers behind sofas. Large cabin (17" x 4") with folding wings. Stow room in mid section of table.

Inside of hull above berths is paneled with mahogany. Ceiling is lined with vinyl panels. Head room in main cabin 1,80 (6' 3"). All in main cabin is a U-shaped galley equipped with a 2-burner stove with oven in gimbals. Permanent piping with shut-off valve for liquid gas from gas bottle. Drained ice box 80 litres. Stainless double sink 24" x 14" with manual fresh water pump.

Surface of counter tops in galley in easy cleaned teak look plastic laminate. Locker for crockery. Waste basket, drawers, etc.

On Port side, navigation table with chart locker, drawers electric switch panel with voltage, fresh water and fuel tank meter. In the passageway to the aft cabin there is a work bench with stowage lockers. Locker for oil skin gear battery companionway ladder.

Drawers below berths. Cupboard above berths and shelves at the sides. Hanging locker on port side of the cabin. Door to main cabin. Escape hatch to deck. Inside of hull is lined with mahogany. The upholstery in high quality furniture fabric with cushions in 4" heavy polyester foam. Floorboards made of 20 mm teak plywood with light colour rotly inlay stripes. Wall to wall carpets. Curtains in all windows.

Four 12 V outlets in table cabin, galley, aft cabin and cockpit. The cockpit is self-bailing. Seats and gratings in teak. Stow room accessible from cockpit, 1.2 m 3, 50 l. Storage for wind handles etc. in coamings SB and P. Panel for instruments. Anchor locker aft on deck.

Ventilation:

Forward cabin: opening skylight and one vent.
Passageway and stow room: opening skylight and one vent.
Main cabin: one opening skylight and ventilating panel in main hatchway.
Cockpit: one opening skylight, one 60 cm ventilator

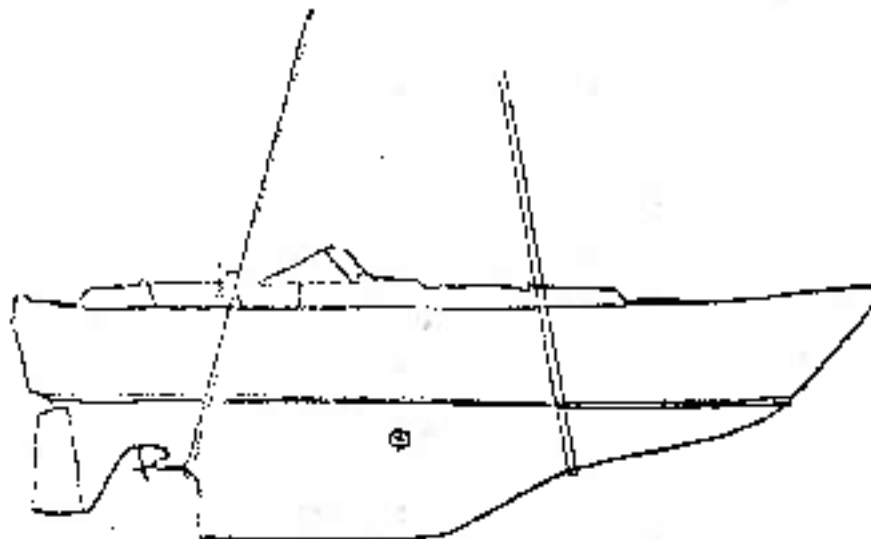
Measurements for transports, etc.

Weight with empty tanks about 6,7 tons (about 15.000 lbs).

Overall height without windshields from underside keel to top of GRP coaming (compass, steering wheel and pulpit removed) 2,35 (11'-0")

Overall beam including rubbing strake 3,42 (11'-2")

If the boat is to be lifted with strops in a crane or travel lift, the after strop is placed about 0,5 m forward of the screw and the forward strop about 0,5 m forward of the mast step. The centre of gravity is located on a vertical line 0,6 m (2'-0") forward of the top of the forward GRP cockpit coaming (where the central opening windshield panel is screwed).



Length over all means length from the rear end of the transom to the foremost end of the stem and is 10,54 m (34'-7")

For road transport the windshields, compass, steering wheel and pulpits can be removed with the tools normally carried in board.

79-03

HR 352

Hauptabm./Main data:

L.O.A.	10,54 m
L.W.L.	8,70 m
B	3,38 m
Tiehg./Draft	1,67 m
Deck	6,71
Ballast	3,91
Segel/Sails	51 m ²
Engine	VP M72003T, 32kW/43 HP
Speed	8 knots

The length of the main mast without any instruments or antennas is 12,50 (42'-7")

The height of the main mast over water line is 14,4 m (47'-3") without any instruments, etc.

The small plans in the specification are made in scale and could give additional information. Measurements, specially as regards sails and rigging, are best checked on board.

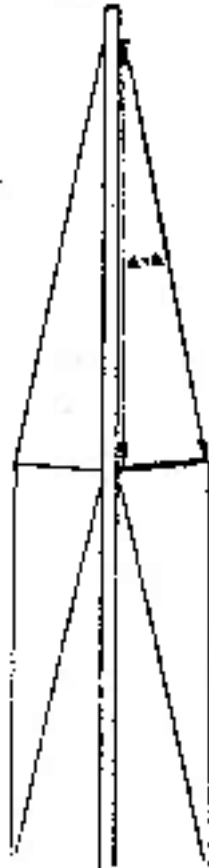
When lifting on a slipway, it is important that the boat will not rest directly on iron beams or rails. Two wooden blocks 8" wide are sufficient. An additional strut under the bow can give additional safety against tipping over under extra loads forward.

When stored for the winter, it is important that the boat is horizontal, so the deck drains will take any water or snow that elsway will stay on deck. This can be checked by a water lever under the flat keel.



Mast and rigging

If the boat is not delivered at our yard, the new Owner in most cases takes care of the rigging of the boat. The halyards and sheaves should be checked and the stays and shrouds attached to the mast. Do not forget to mount the top light and to check with a battery that all lights work. The cross tree is best mounted according to the sketch below. The correct adjustment of this is not only important for the look, but also for the safety of the mast.



If a shroud is stretched along the mast and marked at the height of the spreader base fitting, this is the correct position for the spreader tip on the shroud.

The short lengths of PVC pipe that come with the boat are used as protection over the rigging screws and must be fitted before stepping the masts. All rigging screws are best fitted so right turning will tighten the stay.

The mast

The mast is placed in the maststep with locating fin in the slot slot. Only one position is possible. Stays and shrouds are attached and first loosely set to prevent the mast from falling. The fore and after stays are set to about 2,000 lbs. The rake should be about 4". After this the forward lower shrouds are set and adjusted until the mast is vertical athwartships and at the same time the mast is pulled forward at half height about 1". Next come the top shrouds, which are also set to about 2,000 lbs. The after lower are only set so loosely that the 1" bend is still there.

The tension in the fore and aft stays and the top shrouds should be higher than the forward lower and the after lower next to loose.

Tuning of the rigging

The complete rigging must be kept under observation during the first hours of sail. The rigging and mast will settle after the first hours in hard wind and a retuning must be done.

It is true that a tight forestay helps the performance on the wind but puts also heavy loads on the hull. The use of hydraulic or mechanical jacks for the back stay must be made with care and heavy permanent loads are to be avoided.

The purpose of the tuning of rigging is to provide a straight mast when sailing well heeled. S-bends and top bending forward are to be avoided.

The mast and rigging can under special conditions vibrate. This is caused by the aerodynamically favourable form of the mast and the high tension in rigging. They appear almost only when the boat is moored with a strong breeze blowing from ahead.

The vibrations are natural and harmless but if disturbing can in most cases be cured by hoisting the supplied "slip of sail" with the rope in the mast track. This will break the airflow around the mast.

A leaflet from the sparmaker is available for the owner who wants to go in detail with the rigging and trimming of the masts.

Start and running of engine

All boats are tested in the water prior to the delivery from the yard regardless if the boat is to be trucked away or taken over at the yard. The motor has been run and is ready to start except during the winter, when the engines are winterized again after testing. When the boats are trucked away from the yard only enough fuel for testing is filled.

Starting

Under the main accommodation ladder are the two main switches. One for the engine starting circuit and one for the general purpose circuit. To start the engine, the engine main switch must be on.

Further follow the Volvo Penta instruction book, "produce before starting, starting and stopping". Note the instructions for running-in and the warning plate at the instrument panel.

Gear change

The engine is fitted with single lever controls. Shifting should be made by first slow movement on the lever, allowing the engine RPM to drop before engaging the gear in the opposite direction.

Cavitation

Below 1000 RPM the thrust of the propeller is very low and the running irregular. Over 2000 RPM when manoeuvring the propeller will cavitate especially in reverse. That means that the propeller loses its grip in the water and the thrust drops. Avoid high RPM in manoeuvres especially in reverse.

The turning effect of the screw

The screw is left hand. The bow is turning to port at astern manoeuvres. With the rudder hard over to port and engine shifting between slow ahead and slow astern the boat will turn 360° at the spot. As soon as the boat has started to move, ahead or astern, full steering control is obtained.

General

Before getting used to the boat berthing in close quarter should be avoided in heavy wind. The fine steering control that is obtained on the vessel when going astern often makes it better to back out than try to turn the boat into the wind against a strong crosswind, if the room is not sufficient to pick up headway. After some practice it is surprising to see the precision which can be obtained in maneuvers also in close quarters and critical conditions.

S A I L

Sail setting

As a general rule the tension on the bolt ropes of all sails should be adjusted so that no wrinkles will appear at these but not so tight as to form folds along spars and stays. This means that the tension has to be adjusted to the wind strength. The halyard winches and the internal purchase on the outhaul make this possible when on the wind.

The drums of the main- and head sail halyard winches have two separate sections. When hoisting a sail the halyard is rolled up on the outer section until only a few feet are left. These are rolled up on the narrow inner drum to avoid that the wire will bury and bind under tension. The brake has a free-wheel effect and is best set before starting to hoist.

WARNING! Do not release the brake to let down the sail with the winch handle still in the winch. The spinning handle may break an arm.

Hints on sail carrying and trimming

Light genoa 34 m^2 (375 sqft) can be carried on the wind up to force 5 (18-20 knots). It is sheeted outside the shrouds but inside the life lines.

Working jib $27,5 \text{ m}^2$ (302 sqft) is the best sail from 16 knots up to 35 knots on the wind. It is sheeted outside the shrouds or between the lower and the top shroud and inside the life lines.

Hard wind jib 19 m^2 (210 sqft) is the best headsail from about 30 knots and up.

Main sail

The main sail is carried without a reef up to force 6 together with the working jib, but as reefing is easier than shifting a fore sail, be used reefed together with the light genoa.

The main sail is best carried on the boom with a sail cover when not in use.

Headsails should be folded before bagging to avoid too bulky sail bags.

All sails are made in synthetic cloth and require no "break in" sailing. They are fairly water resistant and can if required be stowed wet. The sails must in that case be dried at first opportunity, as they can be miscolored by mildew.

Preparation for reefing

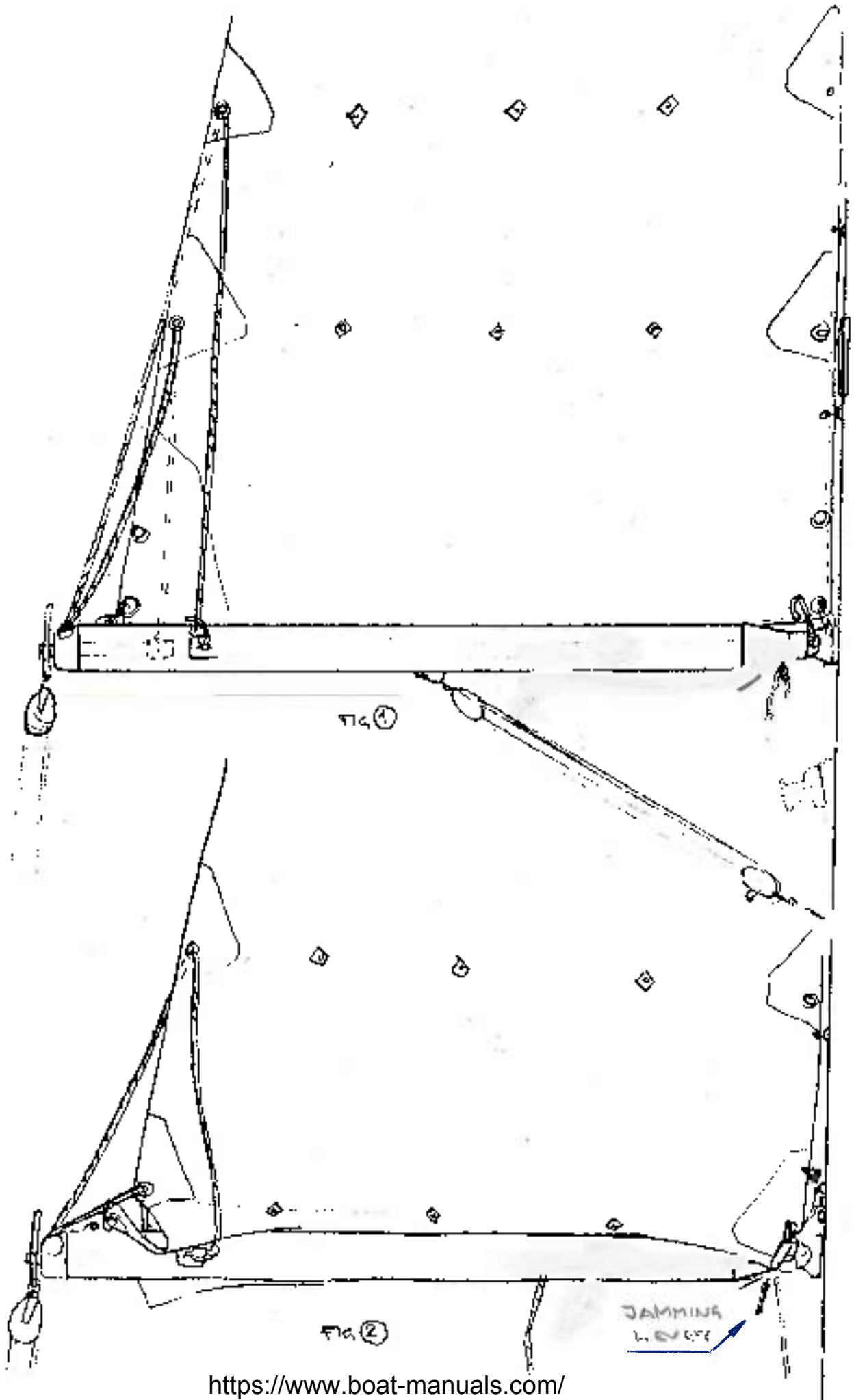
On each side of the main boom a movable loop is fitted. There are two reef lines running inside the boom, one on each side appearing at the ends of the boom. The shorter one on SB side is for the first reef and the longer line on the port side is intended for the second reef.

When the mainsail has been bent on in the usual way, the outer end of the reef line for the first reef is taken through the eye for the lower reef in the sail and is fixed to the loop on the port side with a bowline knot. The reef line for the second reef is taken through the second reefing eye in the sail and to the loop on SB side. The travellers with the loops are moved along the boom to give a 45° lead in when the sail is stretched along the boom.

Reefing

1. Head about 45° from apparent wind.
2. The boomlift is set but the boom is not lifted.
3. The halyard is slowly released and the sail is allowed to come down until the eye of the first reef can be hooked at the tack.
4. The reef line for the first reef is taken to the winch on the mast and is tightened until the sail is properly stretched along the boom.
5. The halyard is retightened.
6. The lift is released.

A reefed sail should be flat and the position of the loops on the boom may have to be adjusted. The second reef is taken in the same way. To let out a reef, the same operation is made in reverse.



ENGINE INSTALLATION

For the engine itself we refer to the Instruction book from Volvo Penta. This should be read carefully.

Engine hold down bolts and engine alignment

After twenty hours running and once every year the engine hold down bolts should be checked and tightened if loose. The alignment of the engine and the propeller shaft must be checked by feeler gauge at the flange by a competent mechanic.

Venting of the fuel system

In the event of running the fuel tank empty or a filter has had to be cleaned, the fuel system must be vented. This is described in the Instruction book. It should be noted that the "banjo screw" mentioned as a standard has been replaced by a valve screw that should normally be open but is closed for the venting operation.

Propeller shaft stuffing box

The propeller shaft is in its outer end suspended in a cutless self lubricating rubber bearing.

The propeller shaft seal is a rubber seal not requiring any lubricating except a very small amount that should be pressed in by the spout of a grease tube at the same time that the rubber seal is squized by hand to open. Also whenever the boat has been lifted out, the seal must be squized to fill the stem tube with water.

The cooling water intake is located on port side in the engine room. In the intake line a water strainer is fitted. The strainer should be checked regularly.

Vacuum valve

In the cooling water line is a vacuum valve fitted to prevent water from entering the engine by suction after it has been stopped. This is placed in the engine room on the port side forward. Twice each season the vacuum valve should be opened and cleaned in fresh water.

1. Loosen the complete valve from its fixture and invert it.
2. Loosen the cap, check and clean the membrane and refit in opposite order. If the membrane is damaged it must be replaced.

NOTE! Check carefully that the membrane is correctly located when reassembling. Do not overtighten.

Fuel tanks and lines

As illustrated there are two fuel tanks. One, the main tank, containing about 150 litres (about 33 imp gall or 42 US gall) is built in below the engine. The second is a reserve tank in stainless steel below the port side sofa in the main cabin. This tank contains about 90 l (20 imp gall or 25 US gall). The contents of this tank can be piped into the main tank by opening the valve situated under the rear end of the sofa.

In the main tank is a tankreter with gauge in the instrument panel. Do not run the tank dry as the fuel system has to be vented before the engine is started if air has entered the suction pipes.

There are suction pipes, one for the engine and one for the optional heater. There is also a third suction pipe for a test pump from the lowest point of the tank with which eventual sludge and condensation water can be pumped out. The pump is situated in the engine compartment. With this pump the fuel should be tested regularly to avoid water reaching the filters and the fuel injection pump. If this happens, the pump can be seriously damaged.

Hose clamps, important checkpoint

Some time after delivery and then at least annually all hose connections should be checked for leaks and tightness. If the hose cannot be twisted by hand and no leaks are apparent, the hose clamps should not be further tightened, as this will only damage the hose or the treads. Almost all hose clamps are in stainless steel and will not rust.

Electric wiring

The electric circuits are divided in one for the engine and one for lighting and general purpose. One 70 AH battery serves the engine and two 140 AH are for the other circuit. The batteries are automatically charged together but the engine starting battery cannot be drained by lights or refrigerator and will always be practically fully charged. The warning in the Volvo Penta Instruction book not to turn the main switches off while running the motor is not valid for this boat, as the alternator is permanently connected to the batteries. Wiring diagrams are included.

If by mistake the two general purpose batteries have been totally drained, difficulties may arise to get the alternator to charge. If this happens, which is indicated by the amp. red light not going out, this is helped if the two circuits are connected for a moment by a jumper or a tool (at the back of the main switches).

Optional second alternator

If a second 35 amp. alternator is fitted, this is charging the two light/general purpose batteries and the standard alternator is charging the starting battery. The wiring is shown by dotted lines on the diagram.

Heating (optional)

The optional diesel burning air heater is mounted on the SB bulkhead in the engine room. The exhaust is led through a fitting on the outside of SB bluestripe. Fresh air is taken by duct from the outer charttable.

The starting of the heater is automatic and electronically programmed as is the stopping. The switch is flipped to "heat" for operation and to neutral for stop. Position "vent" is not normally used. The distribution of the warm air is controlled by closable flaps in the cabin.

The thermostat at the navigating desk can be used to control the temperature but the frequent stopping and starting of the unit will put a heavier load on the batteries and discolouring by soot around the exhaust.

Engine room blower optional equipment

For use when the main engine is not running, there is an electric blower in the engine compartment. This blower is normally only used if the heater has been running for a long period or after stopping the main engine after a long run.

Bilgepump

There is one manually operated bilgepump situated in the oil skin locker under the accommodation ladder with optional electric pumps.

Watertank and FW system

The FW tank and lines are shown on attached diagram. The FW tank is built as an integral part of the GRP hull. The curved tanktop is provided with two manholes for cleaning out. The automatic pressure water system is doubled up with footpump. The electric FW pump is situated in the engine compartment and will start automatically when the pressure in the tap lines drops.

A pressure vessel with built in rubber chamber should be checked for air pressure once a year. With stopped pump and open taps the air pressure should be abt. 1,0 bar (use motor cycle pump).

After the air chamber (cylinder), which levels out pulsations in the pressure from the pump, the line branches off to different taps and to the water heater that is built in under the floor in the sail locker.

The water heater is operating from the cooling system of the main engine. After the engine is started it will only take a quarter of an hour before hot water is available. The insulation will keep the water hot overnight.

When leaving the boat the automatic FW pump should be switched off at the instrument panel. If the pump runs and stops without any tap is open, this indicates a leak somewhere.

To drain the system, see chapter "Winterizing".

Wheel steering

The wheel steering system should be examined carefully annually and the sheaves, the chain and the wire lightly oiled with motor oil. The bearings on the wheel shaft are greased every second year. The wire should be replaced at the sign of a broken strand. The tension of the wires is set up at the rudder quadrant.

Toilets

A dependable marine toilet is fitted in the toilet room.

The double acting pump is operated with the black handle at the same time flushing with seawater and emptying the bowl. The flushing action is controlled by the small lever below the pump handle. This lever should be in the "dry bowl" position when the toilet is not used. The outlet valve and the valve to the optional holdingtank are also kept closed at sea or when the boat is left.

NOTE: Any foreign objects can block the toilet

Holdingtanks

For European waters the boat can be equipped with a small holdingtank that can be emptied in open sea by opening the bottom valve. The valve to the tank should always be shut except when pumping in or dumping out to prevent back flow into the toilet bowl.

Bottled gas

As standards for bottled gas vary in different countries, the HR 352 is delivered without such bottles and reduction valve for the propane gas stove. Stowage for two 6 kg (12 lbs) gas bottles is provided in a separate ventilated compartment in the forepeak. A one piece 8 mm od copper pipe is drawn to a shut off valve at the gas range. The reduction valve should be for 30 mbar (300 mm water head). The connections should be periodically tested for leaks with soap water.

The standard cooker is provided with a flame failure device that shuts off the gas supply in the event of a flame blow out. To light either burner the device is bypassed by pressing in the control knob turning to igniting position and holding in for 10-15 seconds. To ignite the oven the small separate button must be pressed.

Optional anchor winch

The boat can as an optional extra be equipped with a manual or an electric anchor winch. In both alternatives the anchor is dropped by releasing the clutch controlled by the star nut on the outside of the chain gipsy. This is turned against the clock with the handle bar supplied with the anchor winch to disengage. The clutch can be used to brake the chain.

For hauling, the clutch is first engaged and then the winch is operated either by inserting the handle bar at the rope gipsy side or on the electric winch by pushing the switch. The chain will stow itself in the bottom of the chain locker but the hatch is best kept open to make it possible to observe if the chain is building up to the mouth of the chain pipe.

MAINTENANCE

Gelcoat - Repair of Damages

The outer, colored coating of a fiberglass boat is called the Gelcoat. This is a plain coating, which protects the fiberglass hull and at the same time gives the boat an elegant and easy-to-care exterior. The thickness of the Gelcoat is approximately 1/32 - 1/64 of an inch and thus considerably thicker than a normal paint coat. It is completely homogenous and has the same hardness right through. This is why it is often possible to remove bad scratches through grinding or polishing without having to apply any new plastic. It is not difficult either to repair deeper scratches or damages. Any air bubbles, scratches or ruptures that may occur in this outer coating does not mean that water can penetrate the laminate.

1) Maintenance of plastic surfaces in good condition

The plastic surfaces of the boat should be kept clean and spotless for a nice appearance. Use regular detergents and water but avoid detergents which may cause scratches. Do not use detergents containing ammonia as they may damage fittings, plexiglass, etc. Detergents and solutions should be thoroughly rinsed off. Should the shiny surfaces get dull they can be polished either by hand, using a polishing agent, or by using a low revolution machine. There are several special polishing agents for fiberglass boats on the market, Autosol is a good one. Waxing is not normally required, but can do no harm. When waxing notice that the wax has to be worked well. Do not wax any surfaces with pattern, which will make them slippery.

2) Repair of superficial scratches, etc.

Scratches in the gelcoating may often look deeper than they really are and as the scratched surface is different in color than the shiny one, you may think that the colored coating has been penetrated. For reasonably deep scratches use water sanding. Start with a coarse paper and little by little change down to a fine paper (No 800). Rub the surface after sanding, i.e. use polish and an abrasive on the surface as well as on the surrounding undamaged surfaces.

3) Repair of deep scratches and scuffings

If the gelcoating has been damaged and completely removed, the repair is done as follows. Get Gelcoat in the proper color (see Information Sheet) and a hardener from a fiberglass manufacturer or the yard. The damage is then cleaned with the edge of a knife and covered with masking tape very closely on both sides of the hole. Mix the Gelcoat and the hardener (approximately 2% of the hardener). The temperature in the working area should be between 60-80 F.

Use a generous amount of the gelcoat to fill in the damaged spot and immediately place a piece of tape over the same to avoid the gelcoat from running. After the plastic has hardened, grind off the surplus and polish the surface.

Scaffings under the waterline are filled with putty epoxy (Interpad) and then painted with a 2-component primer.

Larger scaffings, in case the boat has hit bottom hard, have to be cleaned from crushed fiberglass through grinding and are then repaired with fiberglass mat and plastic before final putting (repair sets are available on the market).

Maintenance of Wood - Interior

The interior surfaces of mahogany are thoroughly treated with a synthetic laquer and even after many years of use do not normally need any other maintenance than a cleaning. Should a surface, however, be damaged to the extent that it would be necessary to re-varnish same, the whole damaged surface has to be sanded and then varnished with a mat loquer (International Lagolac or similar). Most of the minor damages are taken care of with a little bit of oil. Interior teak, mouldings, etc. can be oiled once in a while with teak oil.

Exterior Wood

The exterior wood is made of genuine teak and is not dependent on either laquer or oil for its protection. It is thus a matter of taste whether the teak should be varnished or be left untreated. It is our opinion that the varnished teak has a better appearance and that it sets off a better contrast against the other plastic surfaces. But of course a certain maintenance is required to keep it up from wear and tear. Decks and seats should never be varnished. When the teak is treated at the yard, we use a synthetic varnish with a oil-phenolic resin glue base. Varnish with a pure oil base is not suitable and a 2-component varnish should not be used on top of the old varnish. Untreated teak is scrubbed thoroughly at the same time as the cleaning of the fiberglass surfaces and will after some time take on a silvergrey shade. In our experience, the use of teak oil on the exterior may cause bad looking surfaces, which are difficult to maintain. Therefore we advise against oiling. It is most important that the maintenance treatment of varnished surfaces is made in time. When you can see that it is needed, it is too late. It is a good piece of advice to re-varnish already after one or two months in the first season and then at least once every year. When you re-varnish, the surrounding fiberglass surfaces must be well protected from streaks or drips of varnish, which otherwise leave spots which are difficult to remove. Should you happen to spill some varnish, be careful to remove same immediately as, even if it is practically translucent from the start, it will from the sun turn yellow very quickly on the fiberglass surfaces.

Spars

The masts and booms are made in anodised light alloy. Under special circumstances light alloy is subject to electrolysis. For this reason no bronze or brass fittings should be attached directly to the spars. Also bigger fittings in stainless steel should be isolated from the light alloy with a plastic sheet. The spars must not be stowed away with salt deposits for winter. Hosing down with fresh water, drying and waxing will prevent damage in store. Rigging should be removed or isolated if wrapped round the spar.

Winches

All winches should be greased at least once a year, preferably before the winter layup. When the locking ring at the top of a winch is removed the drum can be lifted for inspection cleaning and greasing.

Carpets

The quality of the carpets permits cleaning by scrubbing and hosing down with fresh water on deck.

Winterizing in areas subject to freezing temperatures

Engine

The engine is prepared according to the instruction book. When your boat is delivered from the yard antifreeze has been added to the freshwater coolant.

Toilet and holding tank

A washing detergent is pumped through and the system is flushed with freshwater. The drainplug under the pump manifold is removed.

The bilge

When the boat is on dry land the drain plugs from the bilge well are unscrewed and the bilge is cleaned and flushed.

Batteries

If the batteries are well charged they can be left in the boat provided that the cables are disconnected and the terminals greased. If a battery charger is permanently fitted in the boat (optional equipment), the operation of this must be blocked if the battery terminals are disconnected.

① Sugledning för motor
 Saugleitung der Motor
 Suction pipe

② Returladning fr. motor
 Retourleitung
 Return

③ Tankventilation
 Eschlüftung
 Air pipe

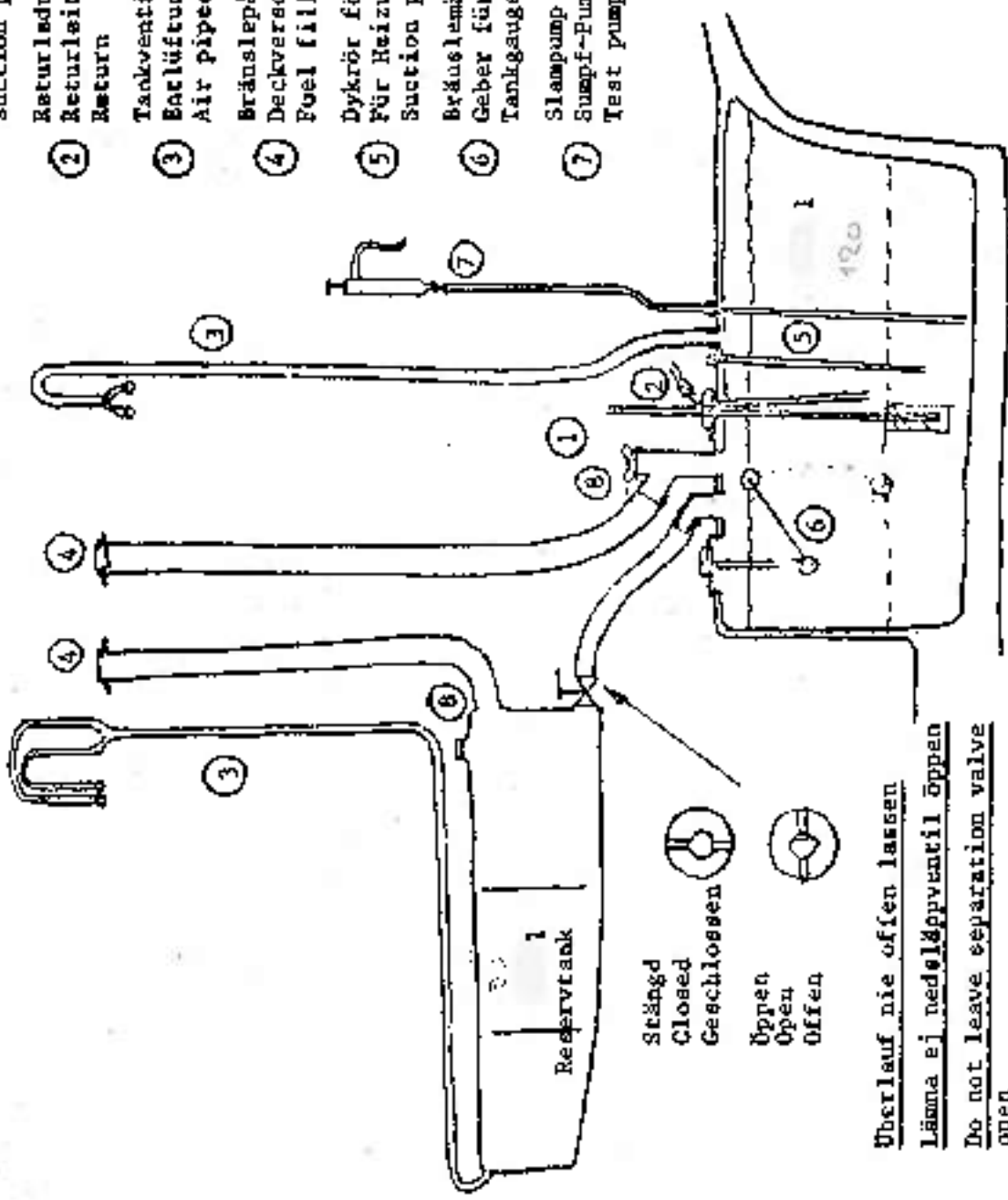
④ Bränslepfyllning
 Deckverschraubung
 Fuel filling

⑤ Dyrör för sv. värmeanläggning
 Für Heizung
 Suction pipe for svt. heater

⑥ Bränslemätare (visar 0 vid ca 60 lit)
 Geber für Vorratsanzeiger (0=60 l)
 Tankgauge (start showing at abt 60 lit)

⑦ Slampump
 Sumpf-Pumpe
 Test pump

⑧ Plugg för manuell pejlning
 Peil-Steck
 Sounding plug



Stängd
 Closed
 Geschlossen

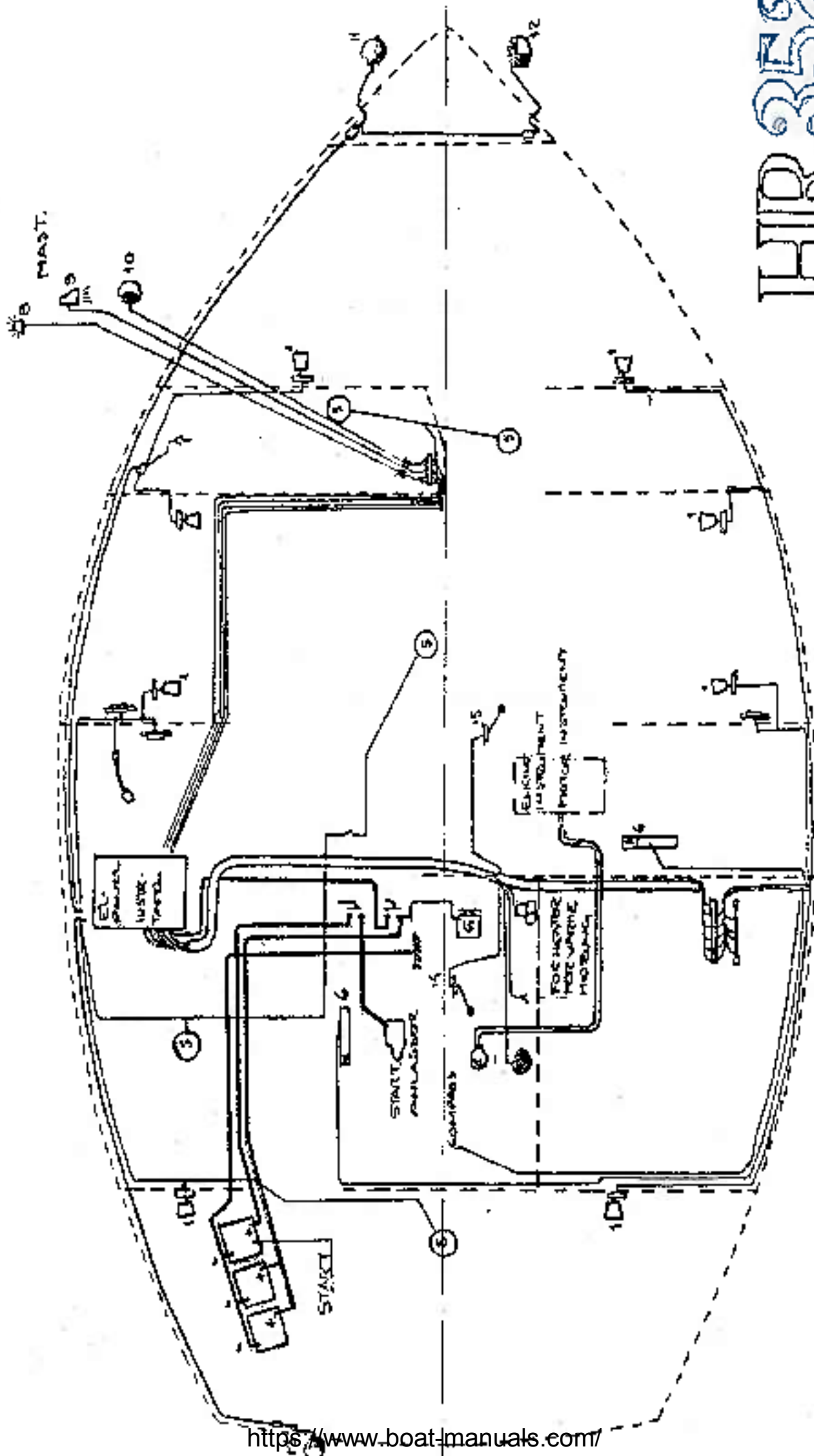
Öppen
 Open
 Offen

Überlauf nie offen lassen
 Lämna ej nedsläppventil öppen
 Do not leave separation valve open

Huvudtank
 Maintank
 Haupttank

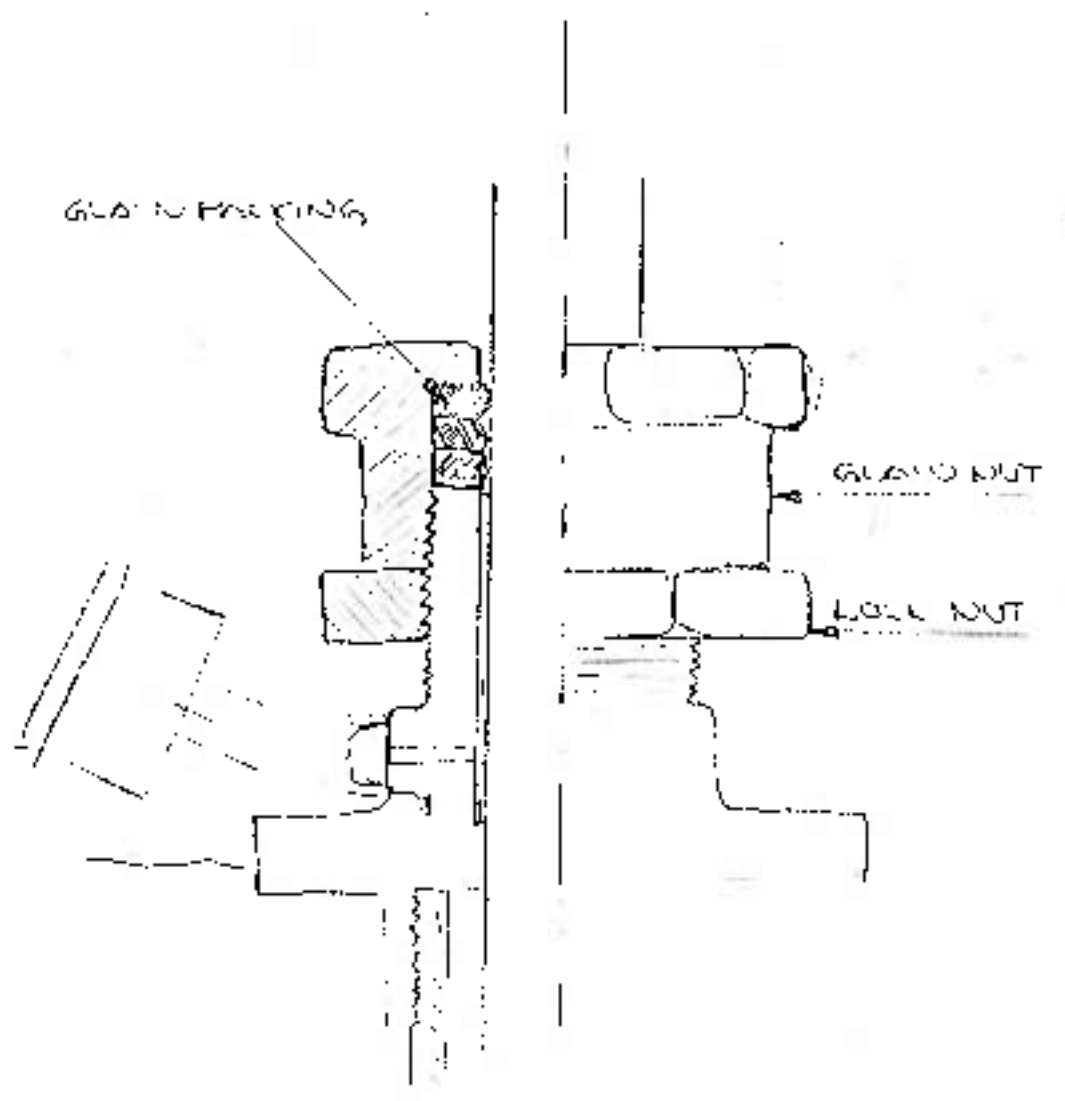
IHR352

Treibstofftank
 Bränsletankar
 Fuel tanks



HIR 352

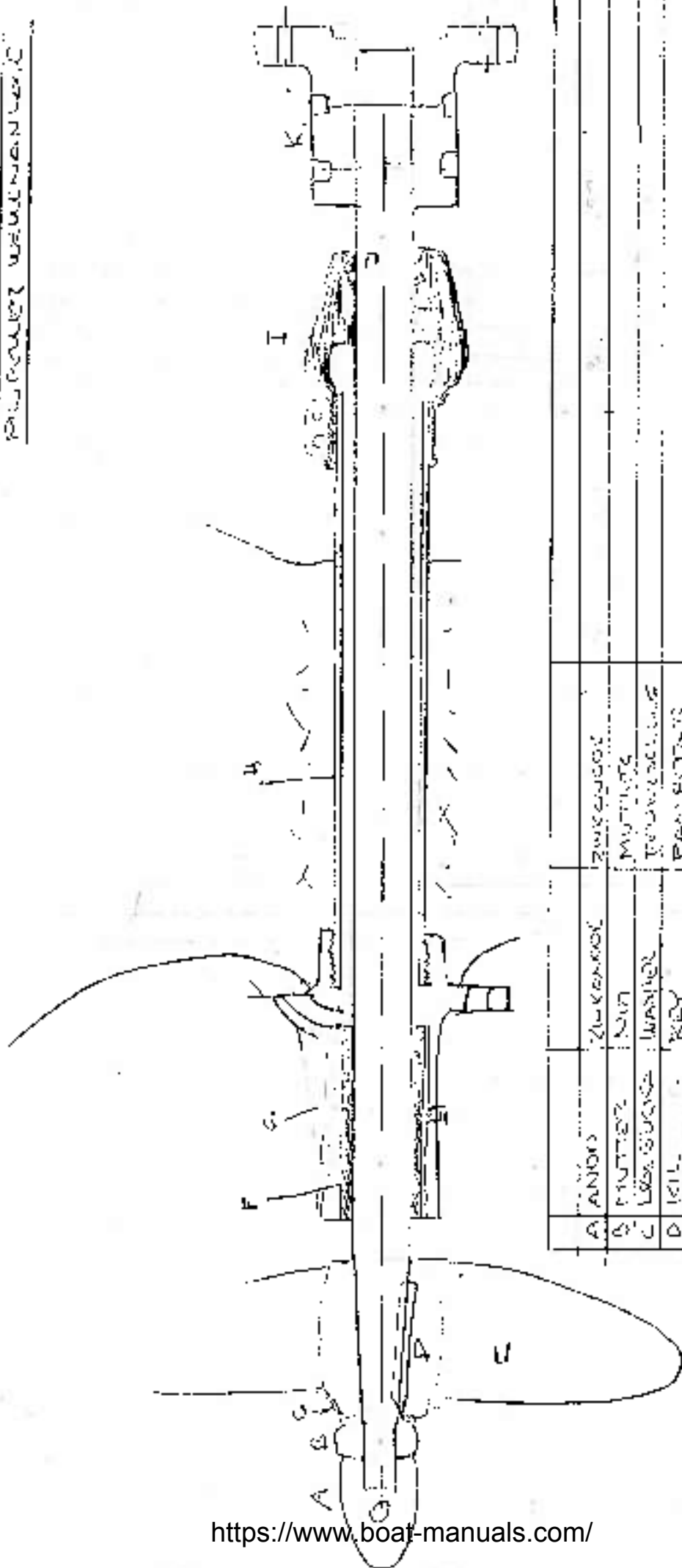
NITE SEE LISTA
 NID SEE LIST
 NINE SIEHE LISTE



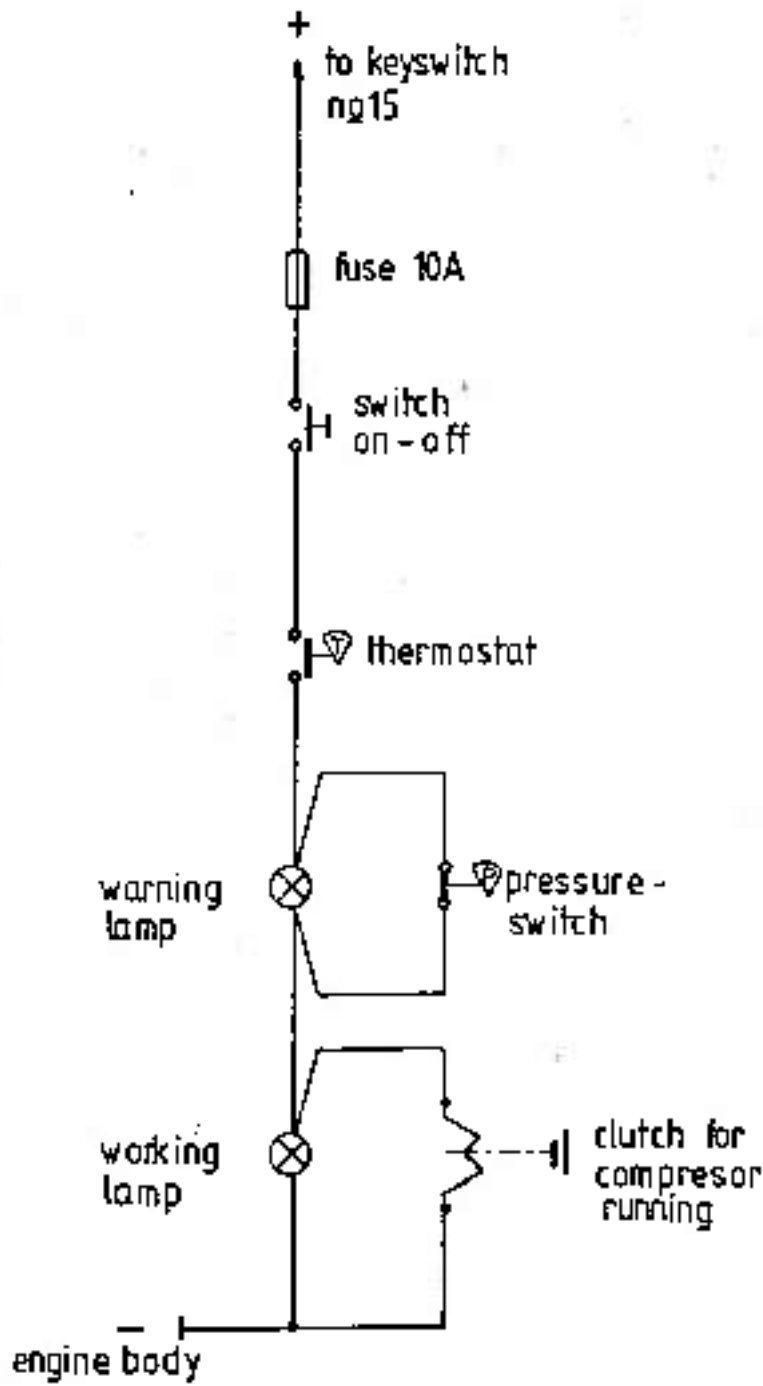
IF UNTOUCHED DURING PASS THE SEAL THE GLAND-NUT CAN BE TIGHTENED AFTER RELEASING THE LOCK-NUT.

De. no	Art	Benaming			Material	Mou. in Anne (Dimension)	Arm		
Kundli	Rind	Kop	Konli	Stand	Code	Skala	Ersket	Front no	
									(lot)
							File no		

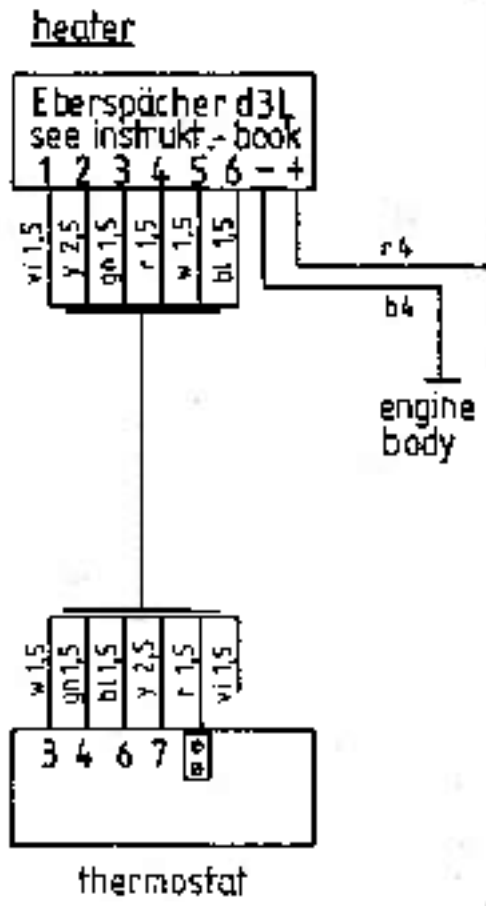
PROPULSION SYSTEM
PROPULSION SYSTEM
PROPULSION SYSTEM



A	ANKER	ZURÜCKGEHÖR	ZURÜCKGEHÖR
B	NUTTER	NUT	MUTTER
C	LÖSLÖSUNG	LOOSENUNG	LOOSENUNG
D	MIL	KEY	PAßBUCHSE
E	PROPPELLER	PROPPELLER	PROPPELLER
F	G	LÖSLÖSUNG	LOOSENUNG
G	LÖSLÖSUNG	LOOSENUNG	LOOSENUNG
H	PROPPELLER	PROPPELLER	PROPPELLER
I	PROPPELLER	PROPPELLER	PROPPELLER
J	PROPPELLER	PROPPELLER	PROPPELLER
K	PROPPELLER	PROPPELLER	PROPPELLER

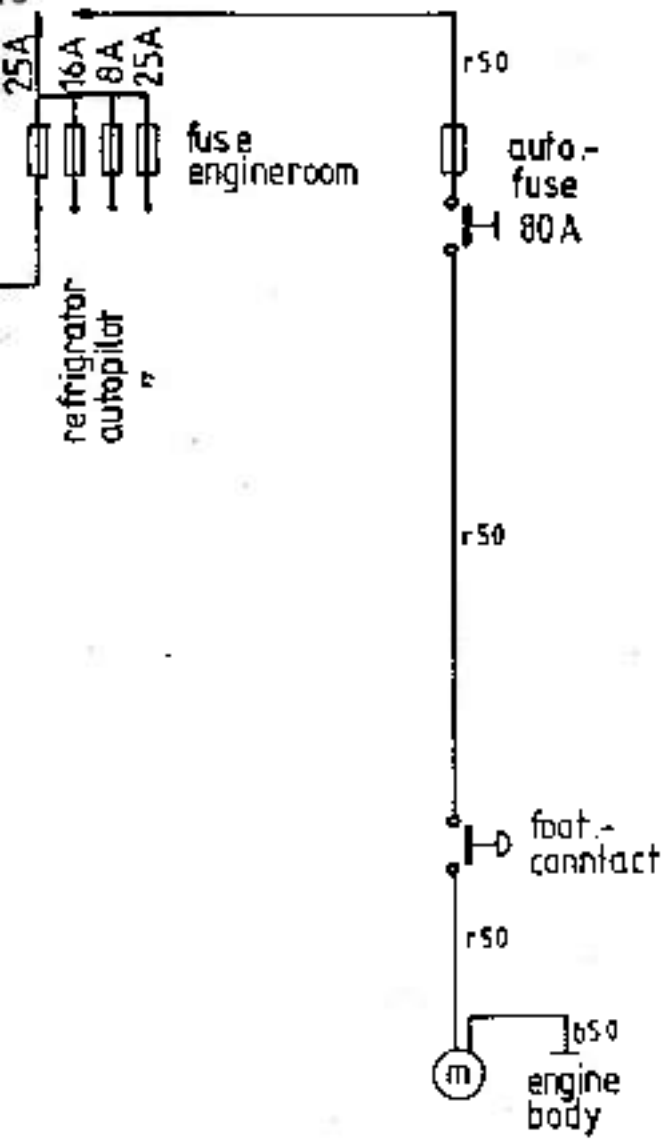


frigate boat refrigerator



heater

main switch
fuses

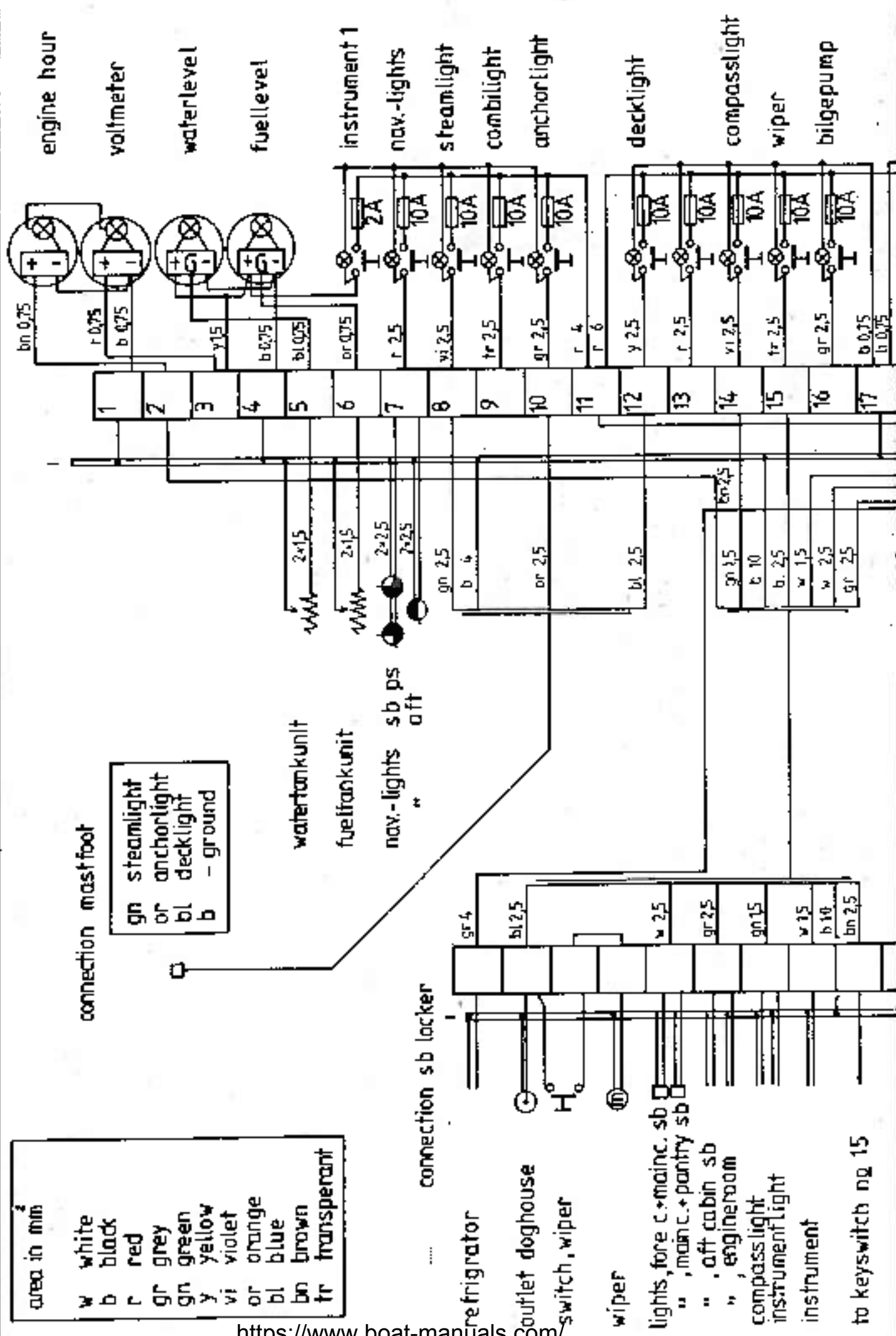


anchor winch

ELSCHEMA HR 352

HALLBERG-RASSY
ELLÖS

area in mm ²	color
w	white
b	black
r	red
gr	grey
gn	green
y	yellow
vi	violet
or	orange
bl	blue
bn	brown
tr	transparent



- engine hour
- voltmeter
- waterlevel
- fuellevel
- instrument 1
- nav.-lights
- steamlight
- comblight
- anchorlight
- decklight
- compasslight
- wiper
- bilgepump

connection mastfoot

gn	steamlight
or	anchorlight
bl	decklight
b	- ground

watertankunit

fueltankunit

nav.-lights sb ps aft

connection sb locker

refrigerator

outlet doghouse

switch, wiper

wiper

lights, fore c.+mainc. sb

" , mainc.+pantry sb

" , aft cabin sb

" , engine room

compasslight

instrument light

instrument

to keyswitch ng 15

