



Freedom

Horizon

Sundowner

**OWNER'S MANUAL
ADDENDUM**



Dear New Four Winns Boat Owner:

First of all Four Winns would like to take this opportunity to welcome you to our Four Winns family!

Due to marketplace demands, dealer requests and standards preset by the marine industry, Four Winns has changed some of our product line accordingly. The biggest change has resulted in designator changes to certain 2002/2003 boat models. This designator change allows Four Winns to be more competitive in today's marketplace yet without sacrificing quality or value to our customers. Below we have included a matrix that indicates the new designations to help clarify the designator changes for model year 2002/2003:

2001 DESIGNATORS	2002/2003 DESIGNATORS	2001 DESIGNATORS	2002/2003 DESIGNATORS
N/A	170 FREEDOM IO*	210 HORIZON IO	220 HORIZON IO
N/A	180 FREEDOM IO**	230 HORIZON IO	240 HORIZON IO
170 HORIZON LE IO	170 HORIZON IO (N/A-03)	N/A	205 SUNDOWNER
170 HORIZON LE OB	170 HORIZON OB (N/A-03)	N/A	225 SUNDOWNER
180 HORIZON LE IO	180 HORIZON IO (2002 ONLY)	N/A	245 SUNDOWNER
180 HORIZON LE OB	180 HORIZON OB (2002 ONLY)	214 FUNSHIP I/O	214 FUNSHIP I/O
N/A	180 HORIZON IO (NEW-2003)	234 FUNSHIP I/O	234 FUNSHIP I/O
180 HORIZON IO	190 HORIZON IO	254 FUNSHIP IO	264 FUNSHIP IO
190 HORIZON IO	200 HORIZON IO	338 VISTA INBOARD	348 VISTA INBOARD
200 HORIZON IO	210 HORIZON IO (N/A-03)	*Base model 170 Horizon.	
N/A	210 HORIZON IO (NEW-2003)	**Base model 180 Horizon.	

Using the matrix above you can identify the model that pertains to your current model Four Winns. In general the manual included in your owner's packet is model specific for your Four Winns boat with the exception of the designator change. There have been some additional changes besides just designators that we have incorporated in an addendum to assist you. The manual and addendum, used in conjunction, are intended to provide you with a basic understanding of safety and operations of your boat. Please read them carefully before operating your boat. We believe that you will find our manuals comprehensive and extremely helpful.

Again, please read the current manual and your owner's manual addendum carefully. Many instructions may require direct performance of the activity to fully understand the correct method. If you choose to read the owner's manual and addendum at home, please remember to take them to the boat with you. The manual and addendum will acquaint you with the use and maintenance of your new Four Winns. These manuals provide special information critical to the safety of the passengers, and longevity of the equipment.

Four Winns continually strives to improve its products. Unit specifications, including standard and optional equipment are constantly being modified. Equipment availability is also subject to change. The most current and accurate information available at the time of publication will be included in the owner's manual addendum. Some variation in equipment, description, location, and details could result.

Equipment such as engines and other accessories are manufactured by others. The information provided in this manual is intended to be used in conjunction with the information provided by the manufacturers of this equipment. All information available at the time of manufacture is included with your owner's packet.

Your Four Winns dealer knows your boat best and is interested in your complete satisfaction. Return to the dealer for service or other assistance. If you have any questions or need assistance please contact Four Winns Customer Service by any number of the following ways:

Four Winns Customer Service Department
925 Frisbie Street
Cadillac, Michigan 49601
231-775-1343 (Phone)
231-779-2345 (FAX)
E-Mail Address: boating@fourwinns.com

Please be sure to include the boat model, serial number, your daytime telephone number, and specifics of the information desired when contacting us.

Thank you for joining our Four Winns family. We appreciate your purchase and welcome the opportunity to demonstrate our commitment to you.

Sincerely,

Four Winns Customer Service Department

<https://www.boat-manuals.com/>

WARRANTY AND SERVICE

D - 1 FOUR WINNS® WARRANTY POLICY

The Four Winns Winning Edge™ Owner Protection Plan, provides the new Four Winns purchaser with one of the most comprehensive corporate commitments in the marine industry today. The Four Winns Owner Protection Plan defines the warranty coverage on all units manufactured by Four Winns. It thoroughly describes the warranty policies and those procedures to be followed to obtain warranty coverage. Review the Four Winns Owner Protection Plan and limited warranty statements carefully.

All engines utilized in the Four Winns® product are warranted by the engine manufacturer. Your Four Winns dealer is authorized to repair your engines and will work closely with the engine manufacturer to resolve any problems you have.

D - 2 DECK/HULL STRUCTURE WARRANTY

Each unit manufactured by Four Winns is encompassed by a separate warranty providing specific coverage on the deck/hull structure. The Four Winns Owner Protection Plan thoroughly describes this coverage.

D - 3 WARRANTY REGISTRATION

A Four Winns Warranty Registration Card is attached to the Four Winns Owner Protection Plan statement. Your Four Winns dealer is responsible for completing and mailing the warranty card at the time of purchase. This is the sole basis for establishing proof of ownership of the boat and corresponding warranty validation. Registration of the boat and engines with the manufacturer is required by the Federal Boat Safety Act of 1971.

Other equipment manufacturers also require that their products be registered with the respective companies. Warranty registration cards are provided in the owner's information packet.

D - 4 TRANSFER OF WARRANTY

Four Winns confidence in the product and our warranty commitments can extend after the original purchaser may choose to move on to a new boat. The remainder of the Four Winns warranty coverage* is transferable to the second owner of the boat for a fee. The warranty may be transferred only once. Registration of the second owner is required and the amount of the transfer fee is \$250.00. Transfer of the remainder of the warranty* must occur within five (5) years of the original retail sale. The transfer fee must be paid within fifteen (15) days of purchase of the used boat by check, money order or cashier's check payable to Four Winns. We will notify the appropriate engine manufacturer of the engine warranty transfer. The Four Winns Owner Protection Plan thoroughly describes the action required to transfer warranty coverage.

*VEC Models – Defects in structural parts, including the hull, deck, liner, stringers and transom for as long as you own the boat. Four Winns will repair structural defects in boats owned by registered warranty transfer owners for up to ten (10) years from date of original delivery.

D - 5 PRE-OWNED UNIT REGISTRATION

Section D-4 Transfer of Warranty discusses the need to properly register the purchase of a pre-owned boat with Four Winns in order to transfer applicable warranty coverage.

Purchasers of all Pre-Owned Four Winns® models, regardless of the decision to transfer warranty coverage, are encouraged to register ownership with Four Winns. To register ownership of a "Pre-Owned Four Winns® boat," provide Four Winns with your name, address, daytime phone number, purchase date, and hull serial number of the boat purchased. The hull serial number plate is permanently affixed to the starboard side of the transom.

Registration of a Pre-Owned Four Winns® boat does not extend or in any way affect or modify the specific terms of the Four Winns Owner Protection Plan or Limited Warranties.

We provide this service to the purchasers of Pre-Owned Four Winns® boats in the interest of better boating. Four Winns welcomes every purchaser of a Four Winns® boat, new or used, to our family.

D - 6 INSURANCE COVERAGE

One of your responsibilities as a new boat owner is to acquire proper insurance protection. Insurance should include comprehensive and general liability coverage appropriate to your financial needs. Please contact your local agent for assistance on insurance coverage.

D - 7 SERIAL NUMBER RECORD

The manufacturer, model, and serial number of major components are recorded during the assembly of each Four Winns® boat. Two copies of this completed form are included at the end of this section. One copy should be removed and kept by the dealer in his records. This can assist the dealer in processing warranty claims, or obtaining necessary information. The second copy should be kept in this owner's manual.

D - 8 PRE-DELIVERY SERVICE

Four Winns makes every effort to deliver your boat in "turn key" condition to the dealer. The process of transporting and handling the boat necessitates certain inspections and adjustments prior to delivery to you. Also, various aspects of operation must be checked and adjusted immediately prior to final delivery and use.

The selling Four Winns dealer must perform this thorough review of the boat and its numerous systems during the commissioning or "dealer pre-delivery service" of the craft.

A Four Winns Pre-Delivery Inspection Form is part of the Warranty Registration Card. It lists the many items encompassed by the pre-delivery service previously described. The dealer is to check off the items as they are completed, and complete the form as indicated providing specific performance related information appropriately.

Your Four Winns dealer will sign the Pre-Delivery Inspection Form of the Warranty Registration Card upon completion of the work. You will also be asked to sign the Pre-Delivery Inspection Form upon accepting delivery of the boat. You are to retain the two copies marked

"Boat Owner". Your dealer is to retain the copy marked "Dealer copy" for his records. The Manufacturer's copy is to be mailed to the Four Winns Customer Service Department.

D - 9 REPLACEMENT PARTS

Four Winns dealers are equipped with a Four Winns Parts Manual that details the components of each model and their appropriate part numbers. Many Four Winns dealers inventory common replacement components.

In addition, Four Winns maintains specific records on the components used in the manufacture of each unit and makes a concerted effort to maintain components specifically to fill replacement part needs.

The Four Winns dealer from whom you purchased your boat is in the best position to meet your needs. If the dealer does not have the needed item, the dealer has the capability, through direct contact with the Four Winns Customer Service Department, to obtain it quickly. Four Winns will only sell replacement parts to established Four Winns dealers. If you relocate and cannot find a Four Winns dealer close to you, contact the Four Winns Customer Service Department for information on the nearest dealer in your area.

D - 10 WINNGEAR™

Show your colors! Four Winns offers a complete line of sports clothing designed to complement your new boat. Your Four Winns dealer has a complete catalog and pricing.

TO: FOUR WINNS BOAT OWNERS

FROM: FOUR WINNS CUSTOMER SERVICE DEPARTMENT

SUBJECT: FARIA DEPTH SOUNDER OPERATION INSTRUCTIONS

MODELS AFFECTED: ALL MODELS WITH FARIA DEPTH SOUNDERS

Dear Four Winns Boat Owner:

Below you will find the operation instructions for the Faria depth sounder. Please contact Four Winns Customer Service at 231-775-1343 if you have any questions or need further assistance.

General Description:

1. The depth finder will read to 199ft. or the corresponding number of meters or fathoms. If the reading is less than 19.9 ft, meters or fathoms, 1/10th increments will be displayed. If the reading is more than 19.9ft, all readings will be in whole numbers.
2. The depth finder has an audible and LCD displayed depth alarm with adjustable shallow and deep limits and a depth below keel offset feature. These settings once made are stored in memory and will remain even if the battery is disconnected.

Operation:

1. **Power on.** The depth sounder will activate automatically when the power to it is initially turned on. You do not have to press the combination "ON / OFF MODE" keypad. The LCD will illuminate showing the depth and will also show the type of units selected, feet (FT), meters (M), or fathoms (F). To turn the depth sounder off, press and hold the "ON / OFF MODE" keypad for 4 seconds. Pressing the "ON / OFF MODE" keypad again will reactivate the unit.

NOTE: The instrument is designed to have the internal LED lighting remain on as long as power is supplied even if the unit is turned "off" at the keypad.

2. **Depth alarm.** Shallow mode: Pressing the "ON / OFF MODE" keypad again displays the "SH" shallow depth alarm setting. This is the shallowest water that will activate the alarm. Press and hold the up or down arrow keypads to adjust the reading to the desired depth.

Deep mode: Pressing the "ON / OFF MODE" keypad again displays the "DP" deep depth alarm setting. This is the deepest water that will activate the alarm. Press and hold the up or down arrow keypads to adjust the reading to the desired depth. When the shallow depth setting is read by the depth sounder, the "SH" will flash on the LCD and the audible alarm will sound rapidly. When the deep depth setting is read by the depth sounder, the "DP" will flash on the LCD and the audible alarm will sound at 2 beeps per second.

NOTE: To fully deactivate an alarm, reset it to zero. Pressing the "ON / OFF MODE" keypad temporarily deactivates the alarm. To reactivate the alarm press the "ON / OFF MODE" keypad until the depth reading appears.

3. **Keel offset.** Pressing the "ON / OFF MODE" keypad again displays the "KL" keel offset setting. This can be set so that the depth sounder either shows the depth below the keel or the depth below the transducer. Press the up or down arrow keypads to adjust the reading to the desired depth no more than 19.9 ft. For example if the bottom of the keel is 2ft below the transducer and you want the depth sounder to read the depth below the keel, the display should be adjusted to read 2.0 FT.

NOTE: Once a keel offset is programmed, the shallow and deep alarms will be activated by the depth below the keel.

4. **Units.** Pressing the "ON / OFF MODE" keypad again displays "Un" on the LCD indicating the units mode. Press either the up or down arrow keypads to set the units desired to feet (FT), meters (M), or fathoms (F). These units once set, will remain the same for all modes. Pressing the "ON / OFF MODE" keypad again returns the depth sounder to normal operation.

925 Frisbie Street Cadillac, MI 49601 231-775-1351 231-775-2348 fax www.fourwinns.com



FOUR WINNS®
EXPERIENCE THE DIFFERENCE

170 FREEDOM

Give yourself the Freedom you deserve.



SPECIFICATIONS

LOA	16'6" / 5.03 M
BEAM	7'6" / 2.29 M
DEADRISE	18°
DRAFT - DRIVE DOWN	(IO) 30" (OB) 28" / (IO) 76 CM (OB) 71 CM
FUEL CAPACITY	24 GAL / 91 L
MAX. CAPACITY	(IO) 1,150 LBS (OB) 1,850 LBS / (IO) 522 KG (OB) 839 KG
APPROX. BOAT & ENGINE WEIGHT	1,790 LBS TO 2,190 LBS / 812 KG TO 993 KG
TRAILER WEIGHT	640 LBS / 290 KG

STANDARDS & OPTIONS

What many boat manufacturers consider optional, Four Winns® considers essential to your boating fun. That's why you'll find so many premium features standard on every Four Winns. It's the common denominator that's uncommon in today's marine market. Comparison shoppers: Take note. No one offers a more complete boating package. See the Extra Value Standard Features highlighted in blue throughout the following listings.

HULL AND DECK

- 100% **Armorcote®** gel coat
- Bow and stern eyes, stainless steel
- Cleats, stainless steel (4)
- Designators
- Engine compartment ventilators
- Fiberglass stringers
- **Gel band color: Navy**
- Graphics, standard
- Horn, concealed
- Navigation lights
- Rub rail, aluminum with vinyl insert
- Ski tow, stainless steel
- Stable-Vee® hull
- Step pads, skid-resistant
- Swim platform, integrated, skid-resistant
 - Assist handle
 - Ladder, angled, deep-reach
- Windshield with walk-thru
 - Full aluminum frame
 - Safety glass
- NMMA certification
- Meets applicable USCG regulations and ABYC standards

BOW

- Drink holders (2)
- Fiberglass construction
- Passenger assist handles
- Seating
 - Hinged bow seats
- Skid-resistant floor
- Storage, beneath bow seats
 - Removable carpet

COCKPIT

- **Aquaflex™** vinyl
- **Carpet, diamond pattern, snap-in, 40 oz.**
- Drink holders (3)
- Engine compartment
 - Composite construction
 - Fiberglass motor hood, insulated
 - Gel-coated bilge
- **Fiberglass liner**
- Port console:
 - Cooler, overboard draining
 - Passenger assist handle
- Seating
 - Adjustable back-to-back lounger, port
 - Duraframe® construction
 - Kick-up headrest in lounge position
 - Driver side bucket
- Skid-resistant floor
- Speakers (2)
- Storage
 - Beneath stern seats
 - In-floor ski locker
 - Hinged lid
 - Large enough for skis, kneeboards and wakeboards
 - Raised floor, removable carpet
- Multi-level side wall

HELM AREA

- Burlwood trim
- Emergency engine shut-off
- Instrumentation:
 - Fuel gauge
 - Oil pressure
 - Speedometer
 - Tachometer
 - Temperature gauge
 - Trim gauge
 - Volt meter
- Lighted switches
- **Steering, soft touch**
- **Stereo, Sony® AM/FM, CD player, w/removable faceplate and remote**

SYSTEMS

- Battery, Interstate®
- Bilge blower
- Bilge pump
- Horn, electric
- Power steering
- Power trim and tilt
- Wire harness
 - Routed through PVC conduit in floor

TRAILER

- **Sure-Load™** custom-matched trailer
- **Swing-away tongue†**
- Integrated step pads
- Keel rollers
- Radial tires
- Single axle
- Submersible lighting
- Tie-down straps (3)
- Tongue jack, swivel
- Treated bunks, carpeted (2)
- Welded tube construction, 11-gauge
- Welded winch post

OPTIONS

- Fish & Ski package (OB only): 12VDC trolling motor (44 lbs thrust), aft livewell, ski pylon, forward casting platform, rod holders, fish finder, built-in battery charger, removable windshield wings and fishing seats that double as aft jump seats
- Remote oil filter (std on fuel injected engines, NA w/OB or 3.0L)
- Seating, SunSport interior
- Ski pylon (OB only)
- CE certification

CANVAS OPTIONS

- Bimini top
- Cockpit and forward cover
- Cockpit cover
- Convertible top
- Full canvas
- Mooring cover

TRAILER OPTIONS

- Disc brakes, surge
- Galvanized trailer
- Spare tire and wheel
- Spare tire and wheel, aluminum or galvanized
- Wheel, aluminum

POWER OPTIONS*

- Evinrude® Outboards**
- 115 FPL

Johnson® Outboards

- 90 PL
- 115 PL

Yamaha® Outboards

- 115 TL

Volvo-Penta® Stern Drives

- 3.0 GL/SX 135 hp
- 4.3 GL/SX 190 hp

MerCruiser® Stern Drives

- 3.0 L Alpha 135 hp
- 4.3 L Alpha 190 hp

Four Winns Extra Value Standard Features • *See your Four Winns Dealer for complete engine availability • †NA with galvanized trailer



FOUR WINNS®
EXPERIENCE THE DIFFERENCE

180 FREEDOM

You might consider naming it, "holiday."



SPECIFICATIONS

LOA	18'0" / 5.49 M
LOA W/OPTIONAL EXTENDED SWIM PLATFORM	18'10" / 5.74 M
BEAM	8'0" / 2.44 M
DEADRISE	19°
DRAFT - DRIVE DOWN	(IO) 31" (OB) 29" / (IO) 79 CM (OB) 74 CM
FUEL CAPACITY	32 GAL / 121 L
MAX. CAPACITY	(IO) 1,300 LBS (OB) 2000 LBS / (IO) 590 KG (OB) 907 KG
APPROX. BOAT & ENGINE WEIGHT	2,050 LBS TO 2,570 LBS / 930 KG TO 1,165 KG
TRAILER WEIGHT	780 LBS / 354 KG

STANDARDS & OPTIONS

What many boat manufacturers consider optional, Four Winns® considers essential to your boating fun. That's why you'll find so many premium features standard on every Four Winns. It's the common denominator that's uncommon in today's marine market. Comparison shoppers: Take note. No one offers a more complete boating package. See the [Extra Value Standard Features](#) highlighted in blue throughout the following listings.

HULL AND DECK

- 100% **Armorcote®** gel coat
- Bow and stern eyes, stainless steel
- Cleats, stainless steel (5)
- Designators
- Engine compartment ventilators
- Fiberglass stringers
- Gel band color choices: **Navy, Red, Green, Dune, Yellow, Black**
- Graphics, standard
- Horn, concealed
- Navigation lights
- Rub rail, aluminum w/vinyl insert
- Ski tow, stainless steel
- Stable-Vee® hull
- Step pads, skid-resistant
- Swim platform, integrated, skid-resistant
 - Assist handle
 - Ladder, angled, deep-reach
- Windshield w/walk-thru
 - Full aluminum frame
 - Safety glass
- NMMA certification
- Meets applicable USCG regulations and ABYC standards

BOW

- Anchor storage under bow seat
- Drink holders (2)
- Fiberglass construction
- Passenger assist handles
- Seating
 - Hinged bow seats
 - Removable bow cushion
- Skid-resistant floor
- Storage, beneath bow seats
 - Removable carpet

COCKPIT

- **Aquaflex™** vinyl
- **Carpet, diamond pattern, snap-in, 40 oz.**
- Drink holders (4)
- **Fiberglass liner**
- Engine compartment
 - Composite construction
 - Fiberglass motor hood, insulated
 - Gel-coated bilge
- Port console
 - Burlwood trim
 - Cooler, overboard draining
 - Glovebox, lockable
 - Passenger assist handle
- Seating
 - Adjustable back-to-back lounger, port
 - **Duraframe®** construction
 - Kick-up headrest in lounge position
 - Driver-side bucket
- Skid-resistant floor

- Speakers (2)
- Storage
 - Beneath stern seat
 - In-floor ski locker
 - Hinged lid
 - Large enough for skis, kneeboards and wakeboards
 - Raised floor, removable carpet
 - Multi-level side wall storage

HELM AREA

- Burlwood trim
- Emergency engine shut-off
- Instrumentation
 - Fuel gauge
 - Oil pressure
 - Speedometer
 - Tachometer
 - Temperature gauge
 - Trim gauge
 - Volt meter
- Lighted switches
- **Steering, tilt wheel**
- **Soft touch**
- **Stereo, Sony® AM/FM, CD player, w/removable faceplate and remote**

SYSTEMS

- Battery, Interstate®
- Bilge blower
- Bilge pump
- Horn, electric
- Power steering
- Power trim and tilt

- Wire harness
 - Routed through PVC conduit in floor

TRAILER

- **Sure-Load™** custom-matched
 - Disc brakes, surge
 - Swing-away tongue†
- Integrated step pads
- Keel rollers
- Radial tires
- Single axle
- Submersible lighting
- Tie-down straps (3)
- Tongue jack, swivel
- Treated bunks, carpeted (4)
- Treated side guides, carpeted
- Welded tube construction, 11-gauge
- Welded winch post

OPTIONS

- Fish & Ski package: 12VDC trolling motor (44 lbs thrust), aft livewell, ski pylon (OB only), forward casting platform, rod holders, fish finder, built-in battery charger, removable windshield wings and fishing seats that double as aft jump seats
- Graphics, sport
- Hour meter
- Remote oil filter (std on fuel injected engines, NA w/OB or 3.0L)
- Seat cushion, bow fill-in
- Seating, SunSport interior
- Ski pylon (OB only)
- Steering wheel, woodgrain
- Swim platform, extended
- CE certification

CANVAS OPTIONS

- Bimini top
- Cockpit and forward cover
- Cockpit cover
- Convertible top
- Full canvas
- Mooring cover

TRAILER OPTIONS

- Galvanized trailer
- Spare tire and wheel
- Spare tire and wheel, aluminum or galvanized
- Wheel, aluminum

POWER OPTIONS*

Evinrude® Outboards

- 150 FPX
- 175 FPX

Johnson® Outboards

- 115 PX
- 150 PX

Yamaha® Outboards

- 130 TX
- 150 TX

Volvo-Penta® Stern Drives

- 3.0 GL/SX 135 hp
- 4.3 GL/SX 190 hp
- 4.3 GXi/SX 225 hp
- 5.0 GL/SX 220 hp

MerCruiser® Stern Drives

- 3.0 L Alpha 135 hp
- 4.3 L Alpha 190 hp
- 4.3 MPI Alpha 220 hp
- 5.0 L Alpha 220 hp

Four Winns Extra Value Standard Features • *See your Four Winns Dealer for complete engine availability • †NA with galvanized trailer



FOUR WINNS®
EXPERIENCE THE DIFFERENCE

180 HORIZON™

There's always more fun
on the Horizon.



SPECIFICATIONS

LOA	18'4" / 5.59 M
BEAM	7'9" / 2.36 M
DEADRISE	19°
DRAFT - DRIVE DOWN	31" / 79 CM
FUEL CAPACITY	32 GAL / 121 L
MAX. CAPACITY	1,300 LBS / 590 KG
APPROX. BOAT & ENGINE WEIGHT	2,450 LBS TO 2,690 LBS / 1,110 KG TO 1,220 KG
APPROX. TRAILER WEIGHT	780 LBS TO 880 LBS / 354 KG TO 399 KG

STANDARDS & OPTIONS

What many boat manufacturers consider optional, Four Winns® considers essential to your boating fun. That's why you'll find so many premium features standard on every Four Winns. It's the common denominator that's uncommon in today's marine market. Comparison shoppers: Take note. No one offers a more complete boating package. See the [Extra Value Standard Features](#) highlighted in blue throughout the following listings.

HULL AND DECK

- Bow and stern eyes, stainless steel
- Bow rails, thru-bolted, stainless steel
- Cleats, stainless steel (4)
- Designators, dome-style
- Engine vents, transom-mounted
- Fiberglass stringers
- Gel band color choices: Navy, Red, Green, Dune, Black, Yellow
- Graphics, standard
- Horn, concealed
- Navigation lights
- Rub rail, rigid white vinyl w/stainless insert
- Stable-Vee® hull
- Step pads, skid-resistant
- Ski-eye, stainless steel
- Swim platform, integrated, skid-resistant
 - Assist handle
 - Ladder, angled, deep-reach
- Windshield w/walk-thru
 - Full aluminum frame
 - Safety glass
 - Stainless steel supports
- NMMA certification
- Meets applicable USCG regulations and ABYC standards

BOW

- Anchor storage under bow seat
- Drink holders (2)
- Fiberglass construction
- Seating
 - Forward backrest
 - Removable bow cushion
- Skid-resistant floor
- Storage, beneath bow seats
 - Removable carpet

COCKPIT

- Aquaflex™ vinyl
- Carpet, diamond pattern, snap-in, 40 oz.
- Courtesy lights
- Drink holders (4)
- Engine compartment
 - Composite construction
 - Fiberglass motor hood, insulated
 - Gel-coated bilge
- Fiberglass liner
- Port console
 - Burlwood trim
 - Cooler, insulated, overboard draining
 - Glovebox, lockable
 - Passenger assist handle(s)
- Seating
 - Hi-lo positioning jump seats
 - Two adjustable back-to-back loungers, port
 - Duraframe® construction
 - Kick-up headrest in lounge position

- Skid-resistant floor
- Speakers, Sony®
- Storage
 - In-floor ski locker
 - Hinged lid, gas assist shock
 - Large enough for skis, kneeboards and wakeboards
 - Raised floor w/rubber mesh mat
 - Multi-level side wall storage

HELM AREA

- Burlwood trim
- Emergency engine shut-off
- Instrumentation, gold bezels
 - Fuel gauge
 - Oil pressure
 - Speedometer
 - Tachometer
 - Temperature gauge
 - Trim gauge
 - Volt meter
- Lighted switches
- Receptacle, 12VDC
- Steering, tilt wheel
 - Soft touch
- Stereo, Sony® AM/FM, CD player, w/removable faceplate and remote

SYSTEMS

- Battery, Interstate®
- Bilge blower
- Bilge pump, automatic
- Horn, electric
- Power steering
- Power trim and tilt

- Wire harness
 - Routed through PVC conduit in floor

CANVAS

- Bimini or convertible top

TRAILER

- Custom-matched trailer
 - Disc brakes, surge
 - Swing-away tongue†
- Integrated step pads
- Keel rollers
- Radial tires
- Single axle
- Submersible lighting
- Tie-down straps (3)
- Tongue jack, swivel
- Treated bunks, carpeted (4)
- Treated side guides, carpeted
- Welded tube construction, 11-gauge
- Welded winch post

OPTIONS

- CCB Gel Band
- LS package
 - Cleats, pull-up
 - Compass
 - Depth sounder w/shallow water alarm
- Graphics, sport
- Hour meter
- Remote oil filter (std on fuel injected engines)
- Seat cushion, bow fill-ins
- Seating, bucket-seat exchange for starboard lounge, headrest, flip-up bolster, patented spring ride system
- Seating, SunSport interior
- Steering wheel, woodgrain
- Walk-thru door
- CE certification

CANVAS OPTIONS

- Bimini top
- Cockpit and forward cover
- Cockpit cover
- Convertible top
- Full canvas
- Mooring cover

TRAILER OPTIONS

- Disc brakes, tandem
- Galvanized trailer
- Spare tire and wheel
- Spare tire and wheel, aluminum or galvanized
- Tandem axle
- Wheel, aluminum

POWER OPTIONS*

- Volvo-Penta® Stern Drives
 - 3.0 GL/SX 135 hp
 - 4.3 GL/SX 190 hp
 - 4.3 GXi/SX 225 hp
- MerCruiser® Stern Drives
 - 3.0 L Alpha 135 hp
 - 4.3 L Alpha 190 hp
 - 4.3 MPI Alpha 220 hp



FOUR WINNS®
EXPERIENCE THE DIFFERENCE

190 HORIZON™

Ever notice how far giggles travel on water?



SPECIFICATIONS

LOA	18'6" / 5.64 M
LOA W/OPTIONAL EXTENDED SWIM PLATFORM	20'2" / 6.15 M
BEAM	8'1" / 2.46 M
DEADRISE	19°
DRAFT - DRIVE DOWN	31" / 79 CM
FUEL CAPACITY	38 GAL / 144 L
MAX. CAPACITY	1,400 LBS / 635 KG
APPROX. BOAT & ENGINE WEIGHT	2,650 LBS TO 2,800 LBS / 1,200 KG TO 1,270 KG
APPROX. TRAILER WEIGHT	780 LBS TO 880 LBS / 354 KG TO 399 KG

STANDARDS & OPTIONS

What many boat manufacturers consider optional, Four Winns® considers essential to your boating fun. That's why you'll find so many premium features standard on every Four Winns. It's the common denominator that's uncommon in today's marine market. Comparison shoppers: Take note. No one offers a more complete boating package. See the [Extra Value Standard Features highlighted in blue throughout the following listings.](#)

HULL AND DECK

- 100% **Armorcote® gel coat**
- Bow and stern eyes, stainless steel
- Bow rails, thru-bolted, stainless steel
- Cleats, stainless steel (6)
- Designators, dome-style
- Engine vents, transom-mounted
- Fiberglass stringers
- Gel band color choices: Navy, Red, Green, Dune, Black, Yellow
- Graphics, standard
- Horn, concealed
- Navigation lights
- Rub rail, rigid white vinyl w/stainless steel insert
- Stable-Vee® hull
- Step pads, skid-resistant
- Stern rail w/ski eye, stainless steel
- Swim platform, integrated, skid-resistant
 - Assist handle
 - Ladder, angled, deep-reach
- Windshield w/walk-thru
 - Full aluminum frame
 - Safety glass
 - Stainless steel supports
- NMMA certification
- Meets applicable USCG regulations and ABYC standards

BOW

- Anchor storage under bow seat
- Drink holders (2)
- Fiberglass construction
- Seating
 - Forward backrest
 - Hinged bow seats
 - Removable bow cushion
- Skid-resistant floor
- Storage, beneath bow seats
 - Removable carpet
- Skid-resistant floor
- Speakers, Sony® (4)
- Storage
 - In-floor ski locker
 - Hinged lid, gas assist shock
 - Large enough for skis, kneeboards and wakeboards
 - Raised floor w/rubber mesh mat
 - Multi-level side wall storage

COCKPIT

- **Aquaflex™ vinyl**
- Carpet, diamond pattern, snap-in, 40 oz.
- Courtesy lights
- Drink holders (5)
- Engine compartment
 - Composite construction
 - Fiberglass motor hood, insulated
 - Gel-coated bilge
- Fiberglass liner
- Port console, burlwood trim
 - Cooler, insulated, overboard draining
 - Glovebox, lockable
 - Passenger assist handle(s)
- Seating
 - Hi-lo positioning jump seats
 - Two adjustable back-to-back loungers
 - Duraframe® construction
 - Kick-up headrest in lounge position

HELM AREA

- Burlwood trim
- Compass
- Depth sounder
- Emergency engine shut-off
- Instrumentation, gold bezels
 - Fuel gauge
 - Oil pressure
 - Shallow water alarm
 - Speedometer
 - Tachometer
 - Temperature gauge
 - Trim gauge
 - Volt meter
- Lighted switches
- Receptacle, 12VDC
- **Steering, tilt wheel - Soft touch**
- Stereo, Sony® AM/FM, CD player, w/removable faceplate and remote

SYSTEMS

- Battery, Interstate®
- Bilge blower
- Bilge pump, automatic
- Horn, electric
- Power steering
- Power trim and tilt
- Wire harness
 - Routed through PVC conduit in floor

CANVAS

- **Bimini or convertible top**
- Stainless steel top hardware w/bimini top

TRAILER

- **Sure-Load™ custom-matched**
 - Disc brakes, surge
 - Swing-away tongue†
- Integrated step pads
- Keel rollers
- Radial tires
- Single axle
- Submersible lighting
- Tie-down straps (3)
- Tongue jack, swivel
- Treated bunks, carpeted (4)
- Treated side guides, carpeted
- Welded tube construction, 11-gauge
- Welded winch post

OPTIONS

- CCB Gel Band
- Graphics, sport
- Hour meter
- Prop, stainless
- Remote oil filter (std on fuel injected engines)
- Seat cushion, bow fill-ins
- Seating, bucket seat exchange for starboard lounge, headrest, flip-up bolster, patented spring ride system
- Seating, SunSport interior
- Steering wheel, woodgrain

- Swim platform, extended
- Wakeboard tower
- Wakeboard tower II: Tower, two board racks, two Tubby speakers, Sony® amplifier, two 10" woofers and light bar package
- Walk-thru door
- CE certification

CANVAS OPTIONS

- Bimini top
- Cockpit and forward cover
- Cockpit cover
- Convertible top
- Full canvas
- Mooring cover

TRAILER OPTIONS

- Disc brakes, tandem
- Galvanized trailer
- Spare tire and wheel
- Spare tire and wheel, aluminum or galvanized
- Tandem axle
- Wheel, aluminum

POWER OPTIONS*

- **Volvo-Penta® Stern Drives**
 - 4.3 GL/SX 190 hp
 - 4.3 GXI/SX 225 hp
 - 5.0 GL/SX 220 hp
- **MerCruiser® Stern Drives**
 - 4.3 L Alpha 190 hp
 - 4.3 MPI Alpha 220 hp
 - 5.0 L Alpha 220 hp

Four Winns Extra Value Standard Features • *See your Four Winns Dealer for complete engine availability • †NA with galvanized trailer



FOUR WINNS®
EXPERIENCE THE DIFFERENCE

200 HORIZON™

Think of it as your
quality of life preserver.

SPECIFICATIONS

LOA	19'6" / 5.95 M
LOA W/OPTIONAL EXTENDED SWIM PLATFORM	21'2" / 6.45 M
BEAM	8'5" / 2.57 M
DEADRISE	19°
DRAFT - DRIVE DOWN	32" / 81 CM
FUEL CAPACITY	42 GAL / 159 L
MAX. CAPACITY	1,600 LBS / 726 KG
APPROX. BOAT & ENGINE WEIGHT	2,810 LBS TO 2,970 LBS / 1,270 KG TO 1,350 KG
APPROX. TRAILER WEIGHT	780 LBS TO 900 LBS / 354 KG TO 408 KG



STANDARDS & OPTIONS

What many boat manufacturers consider optional, Four Winns® considers essential to your boating fun. That's why you'll find so many premium features standard on every Four Winns. It's the common denominator that's uncommon in today's marine market. Comparison shoppers: Take note. No one offers a more complete boating package. See the [Extra Value Standard Features highlighted in blue throughout the following listings.](#)

HULL AND DECK

- 100% **Armorclote® gel coat**
- Bow and stern eyes, stainless steel
- Bow rails, thru-bolted, stainless steel
- Cleats, stainless steel (6)
- Designators, dome-style
- Engine vents, transom-mounted
- Fiberglass stringers
- Gel band color choices: Navy, Red, Green, Dune, Black, Yellow
- Graphics, standard
- Horn, concealed
- Navigation lights
- Rub rail, rigid white vinyl w/stainless steel insert
- Stable-Vee® hull
- Step pads, skid-resistant
- Stern rail w/ski eye, stainless steel
- Swim platform, integrated, skid-resistant
 - Assist handle
 - Ladder, angled, deep-reach, concealed
- Windshield w/walk-thru
 - Full aluminum frame
 - Safety glass
 - Stainless steel supports
- NMMA certification
- Meets applicable USCG regulations and ABYC standards

BOW

- Anchor locker
 - Notch in lid for line
 - Overboard draining
- Drink holders (2)
- Fiberglass construction
- Seating
 - Forward backrests
 - Hinged bow seats
 - Removable bow cushion
- Skid-resistant floor
- Storage, beneath bow seats
 - Removable carpet

COCKPIT

- **Aquaflex™ vinyl**
- **Carpet, diamond pattern, snap-in, 40 oz**
- Courtesy lights
- Drink holders (7)
- Engine compartment
 - Composite construction
 - Fiberglass motor hood, insulated
 - Gel-coated bilge
- **Fiberglass liner**
- Port console, burlwood trim
 - Cooler, insulated, overboard draining
 - Glovebox, lockable
 - Passenger assist handles
- Seating
 - Hi-lo positioning jump seats
 - Two adjustable back-to-back loungers

- Duraframe® construction
 - Kick-up headrests in lounge position
- Skid-resistant floor
- Speakers, Sony® (4)
- Storage:
 - Hidden top storage
 - In-floor ski locker
 - Hinged lid, gas assist shock
 - Large enough for skis, kneeboards and wakeboards
 - Raised floor w/rubber mesh mat
 - Multi-level side wall storage

HELM AREA

- Burlwood trim
- **Compass**
- **Depth sounder**
- Emergency engine shut-off
- Instrumentation, gold bezels
 - Fuel gauge
 - Oil pressure
 - Shallow water alarm
 - Speedometer
 - Tachometer
 - Temperature gauge
 - Trim gauge
 - Volt meter
- Lighted switches
- Receptacle, 12VDC
- **Steering, tilt wheel**
 - Soft touch
- **Stereo, Sony® AM/FM, CD player, w/removable faceplate and remote**

SYSTEMS

- Battery, Interstate®
- Bilge blower
- Bilge pump, automatic
- Horn, electric
- Power steering
- Power trim and tilt
- Wire harness
 - Routed through PVC conduit in floor

CANVAS

- **Bimini or convertible top**
- **Stainless steel top hardware w/bimini top**

TRAILER

- **Sure-Load™ custom-matched**
 - Disc brakes, surge
 - Swing-away tongue†
- Integrated step pads
- Keel rollers
- Radial tires
- Single axle
- Submersible lighting
- Tie-down straps (3)
- Tongue jack, swivel
- Treated bunks, carpeted (4)
- Treated side guides, carpeted
- Welded tube construction, 11-gauge
- Welded winch post

OPTIONS

- CCB Gel Band
- Graphics, sport
- Hour meter
- Prop, stainless
- Remote oil filter (std on fuel injected engines)
- Seat cushion, bow fill-in
- Seating, bucket seat exchange for starboard lounge, headrest, flip-up bolster, patented spring ride system
- Seating, SunSport interior

- Steering wheel, woodgrain
- Swim platform, extended
- Table w/mount
- Wakeboard tower
- Wakeboard tower II: Tower, two board racks, two Tubby speakers, Sony™ amplifier, two 10" woofers and light bar package
- Walk-thru door
- CE certification

CANVAS OPTIONS

- Bimini top
- Cockpit and forward cover
- Cockpit cover
- Convertible top
- Full canvas
- Mooring cover

TRAILER OPTIONS

- Disc brakes, tandem
- Galvanized trailer
- Spare tire and wheel
- Spare tire and wheel, aluminum or galvanized
- Tandem axle
- Wheel, aluminum

POWER OPTIONS*

- Volvo-Penta® Stern Drives**
- 4.3 GL/SX 190 hp
 - 4.3 GXi/SX 225 hp
 - 5.0 GL/SX 220 hp
 - 5.0 GXi/SX 270 hp

MerCruiser® Stern Drives

- 4.3 L Alpha 190 hp
- 4.3 MPI Alpha 220 hp
- 5.0 L Alpha 220 hp
- 5.0 MPI Alpha 260 hp

Four Winns Extra Value Standard Features • *See your Four Winns Dealer for complete engine availability • †NA with galvanized trailer



FOUR WINNS®
EXPERIENCE THE DIFFERENCE

210 HORIZON™

Mars and Venus agree:
Here is heaven on earth.



SPECIFICATIONS

LOA	21'3" / 6.48 M
BEAM	8'6" / 2.59 M
DEADRISE	20°
DRAFT - DRIVE DOWN	34" / 86 CM
FUEL CAPACITY	35 GAL / 132 L
MAX. CAPACITY	1,800 LBS / 816 KG
APPROX. BOAT & ENGINE WEIGHT	3,050 LBS TO 3,140 LBS / 1,380 KG TO 1,420 KG
TRAILER WEIGHT	1,074 LBS / 487 KG

STANDARDS & OPTIONS

What many boat manufacturers consider optional, Four Winns® considers essential to your boating fun. That's why you'll find so many premium features standard on every Four Winns. It's the common denominator that's uncommon in today's marine market. Comparison shoppers: Take note. No one offers a more complete boating package. See the [Extra Value Standard Features highlighted in blue throughout the following listings.](#)

HULL AND DECK

- Bow and stern eyes, stainless steel
- Bow rails, thru-bolted, stainless steel
- Cleats, stainless steel (6)
- Designators, dome-style
- Engine vents, transom-mounted
- Fiberglass stringers
- Gel band color choices:
Navy, Red, Green, Dune, Black, Yellow
- Graphics, standard
- Horn, concealed
- Navigation lights
- Rub rail, rigid white vinyl w/stainless steel insert
- Ski eye, stainless steel
- Stainless steel thru-hull fittings
- Step pads, skid-resistant
- Swim platform, integrated
 - Assist handle
 - Ladder, angled, deep-reach, concealed
- Windshield w/walk-thru
 - Full aluminum frame
 - Safety glass
 - Stainless steel supports
- NMMA certification
- Meets applicable USCG regulations and ABYC standards

BOW

- Anchor locker
 - Notch in lid for line
 - Overboard draining
- Drink holders (2)
- Fiberglass construction
- Seating
 - Forward backrest
 - Removable bow cushion
- Skid-resistant floor
- Storage, beneath bow seats
 - Removable carpet
- Skid-resistant floor
- Speakers, Sony® (4), integrated
- Storage
 - Hidden top storage
 - In-floor ski locker
 - Hinged lid, gas assist shock
 - Large enough for skis, kneeboards and wakeboards
 - Raised floor w/rubber mesh mat
 - Multi-level side wall storage

COCKPIT

- Aquaflex™ vinyl
- Carpet, diamond pattern, snap-in, 40 oz
- Courtesy lights
- Drink holders (6)
- Engine compartment
 - Composite construction
 - Molded engine compartment liner
- Fiberglass liner
- Port console, burlwood trim
 - Cooler, insulated, overboard draining
 - Glovebox, lockable
 - Stereo inside
 - Passenger assist handles
- Seating
 - Adjustable bucket seats w/headrest, flip-up bolster, patented spring ride system
 - U-shaped stern seating
 - 36-qt carry-on cooler beneath hinged seat

HELM AREA

- Burlwood trim
- Compass
- Depth sounder
- Emergency engine shut-off
- Instrumentation, gold bezels
 - Fuel gauge
 - Oil pressure
 - Shallow water alarm
 - Speedometer
 - Tachometer
 - Temperature gauge
 - Trim gauge
 - Volt meter
- Lighted switches
- Receptacle, 12VDC
- Steering, tilt wheel
 - Soft touch
- Stereo, Sony® AM/FM, CD player w/removable faceplate, includes remote w/display

SYSTEMS

- Battery, Interstate®
- Bilge blower
- Bilge pump, automatic
- Horn, electric
- Power steering
- Power trim and tilt
- Wire harness
 - Routed through PVC conduit in floor

CANVAS

- Bimini or convertible top
- Stainless steel top hardware w/bimini top

TRAILER

- Custom-matched trailer
 - Disc brakes, surge
 - Swing-away tongue †
- Integrated step pads
- Keel rollers
- Radial tires
- Single axle
- Submersible lighting
- Tie-down straps (3)
- Tongue jack, swivel
- Treated bunks, carpeted (4)
- Treated side guides, carpeted
- Welded tube construction, 11- gauge
- Welded winch post

OPTIONS

- CCB Gel Band
- Cleats, pull-up
- Engine flush-out kit
- Fire extinguishing system
- Graphics, sport
- Hour meter
- Prop, stainless (exchange SX and Alpha only)
- Remote oil filter (std on fuel injected engines)
- Seat cushion, bow fill-in
- Steering wheel, woodgrain

- Table w/mount
- U-shape stern fill-in cushion
- Walk-thru door
- CE certification

CANVAS OPTIONS

- Bimini top
- Cockpit and forward cover
- Cockpit cover
- Convertible top
- Full canvas
- Mooring cover

TRAILER OPTIONS

- Disc brakes, tandem
- Galvanized trailer
- Spare tire and wheel
- Spare tire and wheel, aluminum or galvanized
- Tandem axle
- Wheel, aluminum

POWER OPTIONS*

Volvo-Penta® Stern Drives

- 5.0 GL/SX 220 hp
 - 5.0 L Bravo I 220 hp
 - 5.0 GXi/SX 270 hp
 - 5.0 GXi/ Duoprop® 270 hp
 - 5.7 Gi/SX 280 hp
 - 5.7 Gi/ Duoprop® 280 hp
- Duoprop® includes stainless steel propellers

MerCruiser® Stern Drives

- 5.0 L Alpha 220 hp
 - 5.0 L Bravo I 220 hp
 - 5.0 MPI Alpha 260 hp
 - 5.0 MPI Bravo I 260 hp
 - 350 MPI Bravo I 300 hp
- Bravo I includes stainless steel propellers

Four Winns Extra Value Standard Features • *See your Four Winns Dealer for complete engine availability • †NA with galvanized trailer



FOUR WINNS®
EXPERIENCE THE DIFFERENCE

220 HORIZON™

The sport boat that's faster than the speed of life.



SPECIFICATIONS

LOA	21'6" / 6.55 M
LOA W/OPTIONAL EXTENDED SWIM PLATFORM	23'0" / 7.01 M
BEAM	8'6" / 2.59 M
DEADRISE	20°
DRAFT - DRIVE DOWN	34" / 86 CM
FUEL CAPACITY	50 GAL / 189 L
MAX. CAPACITY	1,900 LBS / 862 KG
APPROX. BOAT & ENGINE WEIGHT	3,660 LBS TO 3,740 LBS / 1,660 KG TO 1,720 KG
TRAILER WEIGHT	1,074 LBS / 487 KG

STANDARDS & OPTIONS

What many boat manufacturers consider optional, Four Winns® considers essential to your boating fun. That's why you'll find so many premium features standard on every Four Winns. It's the common denominator that's uncommon in today's marine market. Comparison shoppers: Take note. No one offers a more complete boating package. See the Extra Value Standard Features highlighted in blue throughout the following listings.

HULL AND DECK

- 100% **Armorcote® gel coat**
- Bow light, stainless steel
- Bow and stern eyes, stainless steel
- Bow rails, thru-bolted, stainless steel
- Cleats, euro-style, stainless (6)
- Designators, dome-style
- Engine vents, transom-mounted
- Fiberglass stringers
- Fuel cap, chrome
- Gel band color choices: Navy, Red, Green, Dune, Black, Yellow
- Graphics, standard
- Horn, concealed
- Navigation lights
- Rub rail, rigid white vinyl w/stainless steel insert
- Stable-Vee® hull
- Stainless steel thru-hull fittings
- Step pads, skid-resistant
- Stern rail w/ski eye, stainless steel
- Swim platform, integrated, skid-resistant
 - Assist handle
 - Ladder, angled, deep-reach, concealed
 - Storage tub, self-draining
- Windshield w/walk-thru
 - Full powder-coated aluminum frame
 - Safety glass
 - Stainless steel supports
- NMMA certification
- Meets applicable USCG regulations and ABYC standards

BOW

- Anchor locker
 - Notch in lid for line
 - Overboard draining
- Drink holders (4)
- Fender storage w/fenders (2)
- Seating
 - Canted wrap-around backrests
 - Hinged bow seats w/contoured thigh support
- Skid-resistant floor
- Storage
 - Beneath bow seats
 - Lockers in walk-thru (2)

COCKPIT

- **Aquaflex™ vinyl**
- **Carpet, diamond pattern, snap-in, 40 oz.**
- Courtesy lights
- Drink holders (6)
- Engine compartment
 - Composite construction
 - **Engine hatch, electric**
 - Fiberglass motor hood, insulated
 - Assist handle
 - Molded engine liner
- **Fiberglass liner**
- Port console, burlwood trim
 - Cooler, insulated, overboard draining
 - Drink holder (1)
 - Glovebox, lockable
 - Passenger assist handles
- Seating
 - **Adjustable bucket seats w/head rest, flip-up bolster, patented spring ride system**
 - L-shape stern seating
 - 36 qt carry-on cooler beneath hinged seat

- Skid-resistant floor
- Speakers, Sony® (4)
- Storage
 - In-floor ski locker w/rubber mesh mat
 - Hinged lid, gas assist shock
 - Large enough for skis, kneeboards and wakeboards
 - Multi-level side wall storage
- **Walk-thru transom**

HELM AREA

- Burlwood trim
- **Compass**
- **Depth sounder**
- Drink holder (1)
- Emergency engine shut-off
- Instrumentation, gold bezels
 - Fuel gauge
 - Oil pressure
 - Shallow water alarm
 - Speedometer
 - Tachometer
 - Temperature gauge
 - Trim gauge
 - Volt meter
- Lighted switches
- Receptacle, 12VDC
- **Steering, tilt wheel - Soft touch**
- Stereo, Sony® AM/FM, CD player, w/removable faceplate, remote

SYSTEMS

- Battery, Interstate®
- Bilge blower
- Bilge pump, automatic
- Horn, electric
- Power steering
- Power trim and tilt

- Wire harness
 - Routed through PVC conduit in floor

CANVAS

- **Bimini or convertible top**
- Stainless steel top hardware

TRAILER

- **Sure-Load™ custom-matched**
 - Disc brakes, surge
 - Swing-away tongue†
- Integrated step pads
- Keel rollers
- Radial tires
- Submersible lighting
- Tandem axle
 - Single axle brakes
- Tie-down straps (3)
- Tongue jack, swivel
- Treated bunks, carpeted (4)
- Treated side guides, carpeted
- Welded tube construction, 11-gauge
- Welded winch post

OPTIONS

- CCB Gel Band
- Cleats, pull-up
- Docking lights
- Engine flush-out kit
- Fire extinguishing system
- Graphics, sport
- Hour meter
- Prop, stainless (exchange SX only and Alpha only)
- Remote oil filter (std on fuel injected engines)
- Seat cushion, aft fill-in (w/U-wrap)
- Seat cushion, aft walk-thru fill-ins (std w/U-wrap seating)
- Seat cushion, bow fill-in
- Seating, U-wrap interior
- Shower, aft
- Steering wheel, woodgrain
- Stereo remote w/display at swim platform
- Swim platform, extended
- Table w/mount

- Thru-transom exhaust, Quick & Quiet Plus
- Wakeboard tower
- Wakeboard tower II: Tower, two board racks, two Tubby speakers, Sony™ amplifier, two 10" woofers and light bar package
- Walk-thru door
- Windshield wiper, starboard
- CE certification

CANVAS OPTIONS

- Bimini top
- Camper canvas
- Cockpit and forward cover
- Cockpit cover
- Convertible top
- Full canvas
- Mooring cover
- Windshield connector for bimini top (clear)

TRAILER OPTIONS

- Disc brakes, tandem
- Galvanized trailer
- Spare tire and wheel
- Spare tire and wheel, aluminum or galvanized
- Wheel, aluminum

POWER OPTIONS*

- Volvo-Penta® Stern Drives**
- 5.0 GXi/SX 270 hp
 - 5.0 GXi/ Duoprop® 270 hp
 - 5.7 Gi/SX 280 hp
 - 5.7 Gi/ Duoprop® 280 hp
 - 5.7 GXi/SX 320 hp
 - 5.7 GXi/Duoprop® 320 hp
- Duoprop® includes stainless steel propellers
- MerCruiser® Stern Drives**
- 5.0 MPI Alpha 260 hp
 - 5.0 MPI Bravo I 260 hp
 - 350 MPI Bravo I 300 hp
 - 350 MPI Bravo III 300 hp
 - MX 6.2 Bravo I 320 hp
 - MX 6.2 Bravo III 320 hp
- Bravo I and III include stainless steel propellers

Four Winns Extra Value Standard Features • *See your Four Winns Dealer for complete engine availability • †NA with galvanized trailer



FOUR WINNS

EXPERIENCE THE DIFFERENCE

240 HORIZON™

A vacation home where no yard work is necessary.



SPECIFICATIONS

LOA	23'6" / 7.16 M
LOA W/OPTIONAL EXTENDED SWIM PLATFORM	24'10" / 7.57 M
BEAM	8'6" / 2.59 M
DEADRISE	20°
DRAFT - DRIVE DOWN	35" / 89 CM
FUEL CAPACITY	65 GAL / 246 L
MAX. CAPACITY	2,500 LBS / 1,130 KG
APPROX. BOAT & ENGINE WEIGHT	3,930 LBS TO 4,190 LBS / 1,780 KG TO 1,900 KG
TRAILER WEIGHT	1,260 LBS / 571 KG

STANDARDS & OPTIONS

What many boat manufacturers consider optional, Four Winns® considers essential to your boating fun. That's why you'll find so many premium features standard on every Four Winns. It's the common denominator that's uncommon in today's marine market. Comparison shoppers: Take note. No one offers a more complete boating package. See the Extra Value Standard Features highlighted in blue throughout the following listings.

HULL AND DECK

- 100% **Armorcoat® gel coat**
- Bow light, stainless steel
- Bow and stern eyes, stainless steel
- Bow rails, thru-bolted, stainless steel
- Cleats, euro-style, stainless steel (6)
- Designators, dome-style
- Engine vents, transom-mounted
- Fiberglass stringers
- Fuel cap, chrome
- Gel band color choices: Navy, Red, Green, Dune, Black, Yellow
- Graphics, standard
- Horn, concealed
- Navigation lights
- Rub rail, rigid white vinyl w/stainless steel insert
- Stable-Vee® hull
- Stainless steel thru-hull fittings
- Step pads, skid-resistant
- Stern rail w/ski eye, stainless steel
- Swim platform, integrated, skid-resistant
 - Assist handle
 - Ladder, angled, deep-reach, concealed
 - Storage tub, self-draining
- Windshield w/walk-thru
 - Full powder-coated aluminum frame
 - Safety glass
 - Stainless steel supports
- NMMA certification
- Meets applicable USCG regulations and ABYC standards

BOW

- Anchor locker
- Notch in lid for line

- Overboard draining
- Drink holders (4)
- Fiberglass enclosed head
 - Porta-potti
 - Opening port lite w/screen
 - Removable carpet
- Recessed storage w/drink holders
- Seating
 - Canted, wrap-around backrests
 - Hinged bow seats w/contoured thigh support
- Skid-resistant floor
- Storage
 - Beneath bow seats
 - Locker in walk-thru

COCKPIT

- Aquaflex™ vinyl
- Carpet, diamond pattern, snap-in, 40 oz.
- Courtesy lights
- Drink holders (6)
- Engine compartment
 - Assist handle
 - Composite construction
 - Engine hatch, electric
 - Fiberglass motor hood, insulated
 - Molded engine liner
- Fiberglass liner
- Port console, burlwood trim
 - Cooler, insulated, overboard draining
 - Drink holder (1)
 - Glovebox, lockable
 - Passenger assist handle
- Seating
 - Adjustable bucket seats w/headrest, flip-up bolster, patented spring ride system
 - L-shape stern seating
 - 36 qt carry-on cooler beneath hinged seat

- Skid-resistant floor
- Speakers, Sony® (4)
- Storage
 - In-floor ski locker w/rubber mesh mat
 - Hinged lid, gas assist shock
 - Large enough for skis, kneeboards and wakeboards
 - Multi-level side wall storage
- Walk-thru transom

HELM AREA

- Burlwood trim
- Compass
- Depth sounder
- Drink holder (1)
- Emergency engine shut-off
- Instrumentation, gold bezels
 - Fuel gauge
 - Oil pressure
 - Shallow water alarm
 - Speedometer
 - Tachometer
 - Temperature gauge
 - Trim gauge
 - Volt meter
- Lighted switches
- Receptacle, 12VDC
- Steering, tilt wheel
- Stereo, Sony® AM/FM, CD player, removable faceplate, remote

SYSTEMS

- Battery, Interstate®
- Bilge blower
- Bilge pump, automatic
- Horn electric
- Power steering
- Power trim and tilt
- Wire harness
 - Routed through PVC conduit in floor

CANVAS

- Bimini or convertible top
- Stainless steel top hardware w/bimini top

TRAILER

- Sure-Load™ custom-matched
 - Disc brakes, surge
 - Swing-away tongue†
- Integrated step pads
- Keel rollers
- Radial tires
- Submersible lighting
- Tandem axle
 - Single axle brakes
- Tie-down straps (3)
- Tongue jack, swivel
- Treated bunks, carpeted (4)
- Treated side guides, carpeted
- Welded tube construction, 11-gauge
- Welded winch post

OPTIONS

- Batteries, dual w/switch
- CCB Gel Band
- Cockpit refreshment center
 - Sink w/pressurized water system (7 gal / 27 L)
 - Corian countertop
 - Cooler storage
 - Aft shower (NA w/U-wrap)
- Docking lights
- Engine flush-out kit
- Fire extinguishing system
- Graphics, sport
- Head, pump-out
- Hour meter
- Prop, stainless (exchange SX only)
- Seat cushion, aft fill-in (w/U-wrap)
- Seat cushion, aft walk-thru fill-ins (std w/U-wrap seating)
- Seat cushion, bow fill-in
- Seating, double-wide lounge, port
- Seating, U-wrap interior
- Shower, aft
- Steering wheel, woodgrain
- Stereo remote at swim platform
- Swim platform, extended
- Table w/mount
- Thru-transom exhaust, Quick & Quiet Plus
- Trim tabs, hydraulic

- Wakeboard tower
- Wakeboard tower II: Tower, two boar racks, two Tubby speakers, Sony® amplifier, two 10" woofers and light bar package
- Walk-thru door
- Windshield wiper, starboard
- CE certification

CANVAS OPTIONS

- Bimini top
- Camper canvas
- Cockpit and forward cover
- Cockpit cover
- Connector for bimini top (clear)
- Convertible top
- Full canvas
- Mooring cover

TRAILER OPTIONS

- Disc brakes, tandem
- Galvanized trailer
- Spare tire and wheel
- Spare tire and wheel, aluminum or galvanized
- Wheel, aluminum

POWER OPTIONS*

- Volvo-Penta® Stern Drives
 - 5.0 GXi/SX 270 hp
 - 5.0 GXi/Duoprop® 270 hp
 - 5.7 Gi/SX 280 hp
 - 5.7 Gi/Duoprop® 280 hp
 - 5.7 GXi/SX 320 hp
 - 5.7 GXi/Duoprop® 320 hp
 - 8.1 Gi/Duoprop® 375 hp
- Duoprop® includes stainless steel propellers

MerCruiser® Stern Drives

- 5.0 MPI Bravo I 260 hp
- 5.0 MPI Bravo III 260 hp
- 350 MPI Bravo I 300 hp
- 350 MPI Bravo III 300 hp
- MX 6.2 Bravo I 320 hp
- MX 6.2 Bravo III 320 hp
- 496 MG Bravo I 375 hp
- 496 MG Bravo III 375 hp

Bravo I and Bravo III include stainless steel propellers

Four Winns Extra Value Standard Features • *See your Four Winns Dealer for complete engine availability • †NA with galvanized trailer



FOUR WINNS®
EXPERIENCE THE DIFFERENCE

260 HORIZON™

What do you do with a 26' bowrider?
Everything!



SPECIFICATIONS

LOA	25'8" / 7.82 M
LOA W/OPTIONAL EXTENDED SWIM PLATFORM	28'1" / 8.56 M
BEAM	8'6" / 2.59 M
DEADRISE	21°
DRAFT - DRIVE DOWN	36" / 91 CM
FUEL CAPACITY	80 GAL / 302 L
MAX. CAPACITY	2,800 LBS / 1,270 KG
APPROX. BOAT & ENGINE WEIGHT	4,580 LBS TO 4,820 LBS / 2,080 KG TO 2,190 KG
TRAILER WEIGHT	1,500 LBS / 680 KG

STANDARDS & OPTIONS

What many boat manufacturers consider optional, Four Winns® considers essential to your boating fun. That's why you'll find so many premium features standard on every Four Winns. It's the common denominator that's uncommon in today's marine market. Comparison shoppers: Take note. No one offers a more complete boating package. See the [Extra Value Standard Features](#) highlighted in blue throughout the following listings.

HULL AND DECK

- 100% **Armorcote® gel coat**
- Bow light, stainless steel
- Bow and stern eyes, stainless steel
- Bow rails, thru-bolted, stainless steel
- Cleats, euro-style, stainless (6)
- Designators, dome-style
- Engine vents, transom-mounted
- Fiberglass stringers
- Fuel cap, chrome
- Gel band color choices: Navy, Red, Green, Dune, Black, Yellow
- Graphics, standard
- Horn, concealed
- Navigation lights
- Props, stainless steel
- Rub rail, rigid white vinyl w/stainless steel insert
- Shower, aft
- Stable-Vee® hull
- Stainless steel thru-hull fittings
- Step pads, skid-resistant
- Stern rail w/ski eye, stainless steel
- Swim platform, integrated, skid-resistant, contoured toe rail
 - Assist handle
 - Ladder, angled, deep-reach, concealed
 - Storage tub, self-draining
- Windshield w/walk-thru
 - Full powder-coated aluminum frame
 - Safety glass
 - Stainless steel supports
- NMMA certification

- Meets applicable USCG regulations and ABYC standards

BOW

- Anchor locker
 - Notch in lid for line
 - Overboard draining
- Drink holders (4)
- **Fiberglass enclosed head**
 - Porta-potti
 - Opening port lite w/screen
 - Removable carpet
- Recessed storage w/ drink holders
- Seating
 - Canted, wrap-around backrests
 - Hinged bow seats w/contoured thigh support
- Skid-resistant floor
- Storage
 - Beneath bow seats
 - Locker in walk-thru

COCKPIT

- **Aquaflex™ vinyl**
- Built-in armrest, port and starboard
- **Carpet, diamond pattern, snap-in, 40 oz.**
- **Cockpit refreshment center**
 - **Corian® countertop**
 - Dual batteries
 - Receptacle, 110VAC
 - Refrigerator
 - Sink w/pressurized water
 - Trash receptacle
- Courtesy lights
- Drink holders (6)
- Engine compartment
 - Assist handle
 - Composite construction

- Engine hatch, electric
- Fiberglass motor hood, insulated
- Molded engine liner
- **Fiberglass liner**
- Port console, burlwood trim
 - Cooler, insulated, overboard draining
 - Drink holder (1)
 - Glovebox, lockable
 - Passenger assist handle
- Seating
 - **Adjustable bucket seats w/headrest, flip-up bolster, patented spring ride system**
 - L-shape stern seating
 - 36 qt carry-on cooler beneath hinged seat
- Skid-resistant floor
- Speakers, Sony® (4)
- Storage
 - In-floor ski locker w/rubber mesh mat
 - Hinged lid, gas assist shock
 - Large enough for skis, kneeboards and wakeboards
 - Multi-level side wall storage
- **Walk-thru transom**

HELM AREA

- Burlwood trim
- **Compass**
- **Depth sounder**
- Drink holder (1)
- Emergency engine shut-off
- Instrumentation, gold bezels
 - Fuel gauge
 - Oil pressure
 - Shallow water alarm
 - Speedometer
 - Tachometer

- Temperature gauge
- Trim gauge
- Volt meter
- Lighted switches
- Receptacle, 12VDC
- **Steering, tilt wheel**
 - Soft touch
- **Stereo, Sony® AM/FM, CD player, passenger accessible, w/removable faceplate, remote**

SYSTEMS

- Battery, Interstate®
- Bilge blower
- Bilge pump, automatic
- Horn, electric
- Power steering
- Power trim and tilt
- Wire harness
 - Routed through PVC conduit in floor

CANVAS

- Bimini top
- Stainless steel top hardware w/bimini top

TRAILER

- **Sure-Load™ custom-matched**
 - Disc brakes, surge
 - Swing-away tongue †
 - Tongue jack, swivel
- Integrated step pads
- Keel rollers
- Radial tires
- Submersible lighting
- Tandem axle
 - Single axle brakes
- Tie-down straps (3)
- Treated bunks, carpeted (4)
- Treated side guides, carpeted
- Welded tube construction, 11-gauge
- Welded winch post

OPTIONS

- Batteries, dual w/switch
- CCB Gel Band
- Cleats, pull-up
- Docking lights

- Engine flush-out kit
- Fire extinguishing system
- Graphics, sport
- Head, pump-out
- Hour meter
- Seat cushion, aft walk-thru fill-ins
- Seat cushion, bow fill-in
- Seating, double-wide lounge, port
- Steering wheel, woodgrain
- Stereo remote at swim platform
- Swim platform, extended
- Table w/mount
- Thru-transom exhaust, Quick & Quiet Plus
- Trim tabs, hydraulic
- Walk-thru door
- Windshield wiper, starboard
- CE certification

CANVAS OPTIONS

- Camper canvas
- Cockpit and forward cover
- Cockpit cover
- Connector for bimini top (clear)
- Mooring cover

TRAILER OPTIONS

- Disc brakes, tandem
- Galvanized trailer
- Spare tire and wheel
- Spare tire and wheel, aluminum or galvanized
- Wheel, aluminum

POWER OPTIONS*

- Volvo-Penta® Stern Drives**
- 5.7 Gi/Duoprop® 280 hp
 - 5.7 GXi/Duoprop® 320 hp
 - 8.1 Gi/Duoprop® 375 hp
- Stainless steel propellers standard
- MerCruiser® Stern Drives**
- 350 MPI Bravo I 300 hp
 - 350 MPI Bravo III 300 hp
 - MX 6.2 Bravo I 320 hp
 - MX 6.2 Bravo III 320 hp
 - 496 MG Bravo I 375 hp
 - 496 MG Bravo III 375 hp
- Stainless steel propellers standard

Four Winns Extra Value Standard Features • *See your Four Winns Dealer for complete engine availability • †NA with galvanized trailer



FOUR WINNS®
EXPERIENCE THE DIFFERENCE

280 HORIZON™

The bowrider that does fun
“in a big way.”



SPECIFICATIONS

LOA	27'9" / 8.46 M
LOA W/EXTENDED SWIM PLATFORM	30'1" / 9.17 M
BEAM	9'4" / 2.85 M
DEADRISE	21°
DRAFT - DRIVE DOWN	37" / 94 CM
FUEL CAPACITY	130 GAL / 491 L
APPROX. BOAT & ENGINE WEIGHT	6,240 LBS TO 7,140 LBS / 2,890 KG TO 3,240 KG
TRAILER WEIGHT (OPTIONAL)	1,690 LBS / 766 KG

STANDARDS & OPTIONS

What many boat manufacturers consider optional, Four Winns® considers essential to your boating fun. That's why you'll find so many premium features standard on every Four Winns. It's the common denominator that's uncommon in today's marine market. Comparison shoppers: Take note. No one offers a more complete boating package. See the [Extra Value Standard Features highlighted in blue throughout the following listings.](#)

HULL AND DECK

- 100% **Armorco[®] gel coat**
- Bow light, stainless steel
- Bow and stern eyes, stainless steel
- Bow rails, thru-bolted, stainless steel
- Cleats, euro-style, stainless (6)
- Designators, dome-style
- Engine air scoops, triple intake, side deck
- **Dockside power inlet w/cord**
- Fiberglass liner
- Fiberglass stringers
- Fuel cap, chrome
- Gel band color choices: Navy, Red, Green, Dune, Black, Yellow
- Graphics, standard
- Horn, concealed
- Navigation lights
- Props, stainless steel
- Rub rail, rigid white vinyl w/stainless steel insert
- Shower, aft
- Stable-Vee[®] hull
- Stainless steel thru-hull fittings
- Step pads, skid-resistant
- Stern rail w/ski eye, stainless steel
- Swim platform, integrated, skid-resistant, contoured toe rail
- Assist handle
- Ladder, angled, deep-reach, concealed
- Storage tub, self-draining
- Includes secondary swim platform
- Trim tabs, hydraulic

- Windshield w/walk-thru
- Full powder-coated aluminum frame
- Safety glass
- Stainless steel supports
- NMMA certification
- Meets applicable USCG regulations and ABYC standards

BOW

- Anchor locker
- Notch in lid for line
- Overboard draining
- Bow anchor roller
- Drink holders (4)
- Fiberglass enclosed head
- Vacu-Flush
- Bathroom tissue holder
- Opening port lite w/screen
- Overhead lighting
- Receptacle, 110VAC
- Removable carpet
- Sink w/pressurized water
- Storage locker
- Recessed storage w/drink holders
- Seating
- Canted, wrap-around backrests
- Hinged bow seats w/contoured thigh support
- Skid-resistant floor
- Storage
- Beneath bow seats
- Locker in walk-thru

COCKPIT

- **Aquaflex[™] vinyl**
- Built-in armrest, starboard
- Carpet, diamond pattern, snap-in, 40 oz

- **Cockpit refreshment center**
- Corian[®] countertop
- Dual batteries
- Receptacle, 110VAC
- **Refrigerator**
- Sink w/pressurized water
- Trash receptacle
- Courtesy lights
- Drink holders
- Engine compartment
- Composite construction
- **Engine hatch, electric**
- Fiberglass motor hood, insulated
- Assist handle
- Molded engine liner
- Fiberglass liner
- Seating
- **Adjustable double wide helm seat w /flip-up bolster**
- C-wrap stern seating
- 36 qt carry-on cooler beneath hinged seat
- Unique port lounge
- Skid-resistant floor
- **Speakers, Sony[®] (6)**
- Subwoofer, 10"
- Storage
- Beneath port and starboard seating
- In-floor ski locker w/rubber mesh mat
- Hinged lid, fore and aft, gas assist shock aft
- Large enough for skis, kneeboards and wakeboards
- Multi-level side wall storage
- **Walk-thru transom**
- Windshield wiper, starboard

HELM AREA

- Burlwood trim
- **Compass**
- **Depth sounder**
- Drink holder (1)
- Emergency engine shut-off
- High performance shift and throttle controls
- Instrumentation, gold bezels
- Fuel gauge
- Oil pressure
- Shallow water alarm
- Speedometer
- Tachometer
- Temperature gauge
- Trim gauge
- Volt meter
- Lighted switches
- Receptacle, 12VDC
- **Steering, tilt wheel**
- **Stereo, Sony[®] AM/FM, CD player, w/removable faceplate and remote w/display, amp and subwoofer**

SYSTEMS

- Battery, Interstate[®]
- Battery management system w/isolated engine start and ship's system circuits
- Bilge blower
- Bilge pump, automatic
- Horn, electric
- Power steering
- Power trim and tilt
- Remote oil filter(s)
- Wire harness
- Routed through PVC conduit in floor

CANVAS

- **Bimini top**
- Stainless steel top hardware and bows

OPTIONS

- CCB Gel Band
- CD player, 6-disc
- Docking lights

- Engine flush-out kit
- Fire extinguishing system
- Graphics, sport
- Grey water system w/holding tank
- Hour meter
- Seat cushion, aft fill-in
- Seat cushion, bow fill-in
- Steering wheel, woodgrain
- Stereo remote at swim platform
- Table w/mount
- Thru-transom exhaust, Quick & Quiet Plus
- VHF radio
- Walk-thru door
- Windlass w/rope, chain and anchor
- CE certification

CANVAS OPTIONS

- Camper canvas
- Cockpit and forward cover
- Cockpit cover
- Connector for bimini top (clear)
- Mooring cover

TRAILER OPTIONS

- Brake, additional
- Galvanized trailer
- Spare tire and wheel
- Spare tire and wheel, aluminum or galvanized
- Trailer, tandem axle w/one brake
- Tri-axle trailer w/tri-axle brakes (req. w/twin engines)
- Wheel, aluminum

POWER OPTIONS*

- Volvo-Penta[®] Stern Drives**
- 8.1 Gi/Duoprop[®] 375 h
 - Twin 5.0 GXi/SX 270 hp
 - Twin 5.7 GXi/SX 320 hp
- Stainless steel propellers standard
- MerCruiser[®] Stern Drives**
- 496 MG Bravo III 375 hp
 - Twin 5.0 MPI Bravo I 260 hp
 - Twin MX 6.2 Bravo I 320 hp
- Stainless steel propellers standard

Four Winns Extra Value Standard Features • *See your Four Winns Dealer for complete engine availability • †NA with galvanized trailer



FOUR WINNS®
EXPERIENCE THE DIFFERENCE

205 SUNDOWNER®

Because there are never enough hours in a day.



SPECIFICATIONS

LOA	22'8" / 6.91 M
BEAM	8'1" / 2.46 M
DEADRISE	19°
DRAFT - DRIVE DOWN	33" / 84 CM
FUEL CAPACITY	35 GAL / 135 L
MAX. CAPACITY	1,500 LBS / 680 KG
APPROX. BOAT & ENGINE WEIGHT	3,400 LBS TO 3,470 LBS / 1,540 KG TO 1,570 KG
TRAILER WEIGHT	1,074 LBS / 487 KG

STANDARDS & OPTIONS

What many boat manufacturers consider optional, Four Winns® considers essential to your boating fun. That's why you'll find so many premium features standard on every Four Winns. It's the common denominator that's uncommon in today's marine market. Comparison shoppers: Take note. No one offers a more complete boating package. See the Extra Value Standard Features highlighted in blue throughout the following listings.

HULL AND DECK

- 100% Armorco® gel coat
- Anchor locker
 - Notch in lid for line
 - Overboard draining
- Bow and stern eyes, stainless steel
- Bow rails, thru-bolted, stainless steel
- Cleats, stainless steel (6)
- Designators, dome-style
- Engine vents, color-coordinated
- Deck hatch, white translucent
- Gel band color choices: Navy, Red, Green, Dune, Black, Yellow
- Graphics, standard
- Horn, concealed
- Port lites, opening (2)
- Rub rail, rigid white vinyl w/stainless steel insert
- Shower, aft
- Ski locker w/walk-thru
- Skid-resistant deck
- Stable-Vee® hull
- Stainless steel thru-hull fittings
- Stern rail w/ski eye, stainless steel
- Swim platform
 - Extended platform, skid-resistant
 - Ladder, angled, deep-reach, concealed
 - Storage tub, self draining
- Transom storage locker
- Windshield w/walk-thru
 - Full aluminum frame
 - Safety glass

- Stainless steel supports
- NMMA certification
- Meets applicable USCG regulations and ABYC standards

COCKPIT

- Aquaflex™ vinyl
- Carpet, diamond pattern, snap-in, 40 oz.
- Cockpit refreshment center
 - Corian® countertop
 - Drink holders (2)
 - Sink w/pressurized water
 - Trash receptacle
- Courtesy lights
- Drink holders (4)
- Engine compartment
 - Composite construction
 - Electric engine hatch
 - Fiberglass motor hood, insulated
 - Gel-coated bilge
- Fiberglass liner
- Seating
 - Adjustable bucket seats w/headrest, flip-up bolster, patented spring ride system
 - Cooler, 36-quart carry-on, beneath hinged seat
 - U-shape lounge
- Skid-resistant floor
- Speakers, Sony® (2)
- Storage
 - In-floor ski locker (walk-thru)
 - Hinged lid, gas assist shock
 - Large enough for skis, kneeboards and wakeboards
 - Removable rubber mesh mat

- Walk-thru transom
- Windshield wiper, starboard

HELM AREA

- Burlwood trim
- Compass
- Depth sounder
- Emergency engine shutoff
- Instrumentation, gold bezels
 - Fuel gauge
 - Oil pressure
 - Shallow water alarm
 - Speedometer
 - Tachometer
 - Temperature gauge
 - Trim gauge
 - Volt meter
- Lighted switches
- Receptacle, 12VDC
- Steering, tilt wheel
- Stereo, Sony® AM/FM, CD player, w/removable faceplate and remote w/display

CABIN

- CO monitor
- Backrest converts to V-berth fill-in
- Dual bi-fold doors, removable
- Lights, bullet
- Speakers, Sony® (2)
- Storage
 - Beneath V-berth cushions
 - Shelves behind backrests
- Vinyl headliner

SYSTEMS

- Battery, Interstate®
- Bilge blower
- Bilge pump, automatic
- Horn, electric
- Power steering
- Power trim and tilt
- Wire harness
 - Routed through PVC conduit in floor

- Stove, one burner, butane
- Table w/mount
- CE certification

CANVAS OPTIONS

- Camper canvas (bimini top, sides, aft)
- Cockpit cover
- Mooring cover

TRAILER OPTIONS

- Disc brakes, tandem
- Galvanized trailer
- Spare tire and wheel
- Spare tire and wheel, aluminum or galvanized
- Wheel, aluminum

CANVAS

- Bimini top
- Stainless steel top hardware
- Windshield connector, clear

TRAILER

- Sure-Load™ custom-matched
 - Disc brakes, surge
 - Swing-away tongue†
- Integrated step pads
- Keel rollers
- Radial tires
- Submersible lighting
- Tie-down straps (3)
- Tongue jack, swivel
- Treated bunks, carpeted (4)
- Treated side guides, carpeted
- Welded tube construction, 11-gauge
- Welded winch post

POWER OPTIONS*

- Volvo-Penta® Stern Drives**
- 5.0 GL/SX 220 hp
 - 5.0 GL/Duoprop® 220 hp
 - 5.0 GXi/SX 270 hp
 - 5.0 GXi/Duoprop® 270 hp
 - 5.7 Gi/SX 280 hp
 - 5.7 Gi/Duoprop® 280 hp
- Duoprop® include stainless steel propellers

MerCruiser® Stern Drives

- 5.0 L Alpha 220 hp
 - 5.0 MPI Alpha 260 hp
 - 5.0 MPI Bravo I 260 hp
 - 350 MPI Bravo I 300 hp
 - 350 MPI Bravo III 300 hp
- Bravo I and Bravo III include stainless steel propellers

OPTIONS

- CCB Gel Band
- Engine flush-out kit
- Fire extinguishing system
- Graphics, sport
- Head, pump-out
- Hour meter
- Prop, stainless (exchange SX and Alpha only)
- Remote oil filter (std on fuel injected engines)
- Seating, aft fill-in
- Steering wheel, woodgrain
- Stereo remote at swim platform

Four Winns Extra Value Standard Features • *See your Four Winns Dealer for complete engine availability • †NA with galvanized trailer



FOUR WINNS®

EXPERIENCE THE DIFFERENCE

225 SUNDOWNER®

40 miles per hour and 4500
revolutions per minute.



SPECIFICATIONS

LOA	24'1" / 7.34 M
BEAM	8'4" / 2.54 M
DEADRISE	20°
DRAFT - DRIVE DOWN	35" / 89 CM
FUEL CAPACITY	50 GAL / 190 L
MAX. CAPACITY	1,900 LBS / 862 KG
APPROX. BOAT & ENGINE WEIGHT	3,650 LBS TO 3,730 LBS / 1,650 KG TO 1,690 KG
TRAILER WEIGHT	1,260 LBS / 571 KG

STANDARDS & OPTIONS

What many boat manufacturers consider optional, Four Winns® considers essential to your boating fun. That's why you'll find so many premium features standard on every Four Winns. It's the common denominator that's uncommon in today's marine market. Comparison shoppers: Take note. No one offers a more complete boating package. See the [Extra Value Standard Features highlighted in blue throughout the following listings.](#)

HULL AND DECK

- 100% **Armorcote®** gel coat
- Anchor locker
 - Notch in lid for line
 - Overboard draining
- Bow light, stainless steel
- Bow and stern eyes, stainless steel
- Bow rails, thru-bolted, stainless steel
- Cleats, stainless steel (6)
- Deck hatch, white translucent
- Designators, dome-style
- Engine vents, color-coordinated
- Gel band color choices: Navy, Red, Green, Dune, Black, Yellow
- Graphics, standard
- Horn, concealed
- Navigation lights
- Port lites, opening (2)
- Rub rail, rigid white vinyl w/stainless steel insert
- Shower, aft
- Ski eye, stainless steel
- Skid-resistant deck
- Stable-Vee® hull
- Stainless steel thru-hull fittings
- Swim platform
 - Extended platform, skid-resistant
 - Ladder, angled, deep-reach concealed
 - Storage tub, self-draining
- Transom storage locker

- Windshield w/walk-thru
 - Full aluminum frame
 - Safety glass
 - Stainless steel supports
- NMMA certification
- Meets applicable USCG regulations and ABYC standards

COCKPIT

- **Aquaflex™** vinyl
- Carpet, diamond pattern, snap-in, 40 oz.
- Cockpit refreshment center
 - **Corian®** countertop
 - Drink holders (2)
 - Sink w/pressurized water
 - Trash receptacle
- Courtesy lights
- Drink holders (4)
- Engine compartment
 - Composite construction
 - **Electric engine hatch**
 - Fiberglass motor hood, insulated
 - Gel-coated bilge
- Fiberglass liner
- Removable cooler, 36 qt
- Seating
 - **Adjustable bucket seats w/head rest, flip-up bolster, patented spring ride system**
 - U-shape lounge
- Skid-resistant floor
- Speakers, Sony® (2)
- Storage
 - **In-floor ski locker (walk-thru)**
 - Hinged lid, gas assist shock

- Large enough for skis, kneeboards and wakeboards
- Removable rubber mesh mat
- **Walk-thru transom**
- **Windshield wiper**

HELM AREA

- Burlwood trim
- Compass
- **Depth sounder**
- Drink holder (1)
- Emergency engine shutoff
- Instrumentation, gold bezels
 - Fuel gauge
 - Oil pressure
 - Shallow water alarm
 - Speedometer
 - Tachometer
 - Temperature gauge
 - Trim gauge
 - Volt meter
- Lighted switches
- Receptacle, 12VDC
- **Steering, tilt wheel**
- Stereo, Sony® AM/FM, CD player, removable faceplate and remote w/display

CABIN

- Backrest converts to V-berth fill-in
- **CO monitor**
- Dual bi-fold doors, removable
- **Head, porta-potti, slide-out**
- Lights, bullet
- Speakers, Sony® (2)

- Storage
 - Beneath V-berth cushions
 - Shelves behind backrests
- Vinyl headliner

SYSTEMS

- Battery, Interstate®
- Bilge blower
- Bilge pump, automatic
- Horn, electric
- Power steering
- Power trim and tilt
- Wire harness
 - Routed through PVC conduit in floor

CANVAS

- **Bimini top**
- Stainless steel top hardware
- **Windshield connector, clear**

TRAILER

- **Sure-Load™** custom-matched
 - Disc brakes, surge
 - Swing-away tongue†
- Integrated step pads
- Keel rollers
- Radial Tires
- Submersible lighting
- Tandem axle
 - Single axle brakes
- Tie-down straps (3)
- Tongue jack, swivel
- Treated bunks, carpeted (4)
- Treated side guides, carpeted
- Welded tube construction, 11-gauge
- Welded winch post

OPTIONS

- Batteries, dual w/switch
- CCB Gel Band
- Engine flush-out kit
- Fire extinguishing system
- Head, pump-out
- Hour meter

- Prop, stainless (exchange SX only)
- Seat cushion, aft fill-in (w/U-wrap only)
- Steering wheel, woodgrain
- Stereo remote at swim platform
- Stove, one burner, butane
- Table w/mount
- CE certification

CANVAS OPTIONS

- Camper (bimini top, sides, aft)
- Cockpit cover
- Mooring cover

TRAILER OPTIONS

- Disc brakes, tandem
- Galvanized trailer
- Spare tire and wheel
- Spare tire and wheel, aluminum or galvanized
- Wheel, aluminum

POWER OPTIONS*

- **Volvo-Penta® Stern Drives**
 - 5.0 GXi/SX 270 hp
 - 5.0 GXi/Duoprop® 270 hp
 - 5.7 Gi/SX 280 hp
 - 5.7 Gi/Duoprop® 280 hp
 - 5.7 GXi/Duoprop® 320 hp
- Duoprop® includes stainless steel propellers

MerCruiser® Stern Drives

- 5.0 MPI Bravo I 260 hp
 - 5.0 MPI Bravo III 260 hp
 - 350 MPI Bravo I 300 hp
 - 350 MPI Bravo III 300 hp
 - MX 6.2 Bravo I 320 hp
 - MX 6.2 Bravo III 320 hp
- Bravo I and Bravo III include stainless steel propellers

Four Winns Extra Value Standard Features • *See your Four Winns Dealer for complete engine availability • †NA with galvanized trailer



FOUR WINNS®
EXPERIENCE THE DIFFERENCE

245 SUNDOWNER®

Takes your breath away,
even standing still.



SPECIFICATIONS

LOA	26'9" / 8.16 M
BEAM	8'6" / 2.59 M
DEADRISE	20°
DRAFT - DRIVE DOWN	37" / 94 CM
FUEL CAPACITY	65 GAL / 246 L
MAX. CAPACITY	2,500 LBS / 1,130 KG
APPROX. BOAT & ENGINE WEIGHT	4,170 LBS TO 4,450 LBS / 1,890 KG TO 2,020 KG
TRAILER WEIGHT	1,500 LBS / 680 KG

STANDARDS & OPTIONS

What many boat manufacturers consider optional, Four Winns® considers essential to your boating fun. That's why you'll find so many premium features standard on every Four Winns. It's the common denominator that's uncommon in today's marine market. Comparison shoppers: Take note. No one offers a more complete boating package. See the [Extra Value Standard Features highlighted in blue throughout the following listings.](#)

HULL AND DECK

- 100% **Armorcote®** gel coat
- Anchor locker
 - Notch in lid for line
 - Overboard draining
- Bow light, stainless steel
- Bow and stern eyes, stainless
- Bow rails, thru-bolted, stainless steel
- Chrome-plated brass thru-hull fittings where applicable
- Cleats, stainless steel (6)
- Deck hatch, white translucent
- Designators, dome-style
- Engine vents, color-coordinated
- Fuel cap, chrome
- Gel band color choices: **Navy, Red, Green, Dune, Black, Yellow**
- Graphics, standard
- Horn, concealed
- Navigation lights
- Props, stainless
- Rub rail, rigid white vinyl w/stainless steel insert
- Shower, aft
- Skid-resistant deck
- Stable-Vee® hull
- Stainless steel thru-hull fittings
- Ski eye, stainless steel
- Swim platform
 - **Extended platform, skid-resistant**
 - **Ski storage**
 - Ladder, angled. deep-reach, concealed
 - Storage tub, self-draining

- Transom storage lockers (2)
- Windshield w/walk-thru
 - Full aluminum frame
 - Safety glass
 - Stainless steel supports
- NMMA certification
- Meets applicable USCG regulations and ABYC standards

COCKPIT

- **Aquaflex™** vinyl
- **Carpet, diamond pattern, snap-in, 40 oz.**
- **Cockpit refreshment center**
 - **Corian®** countertop
 - **Drink holders (2)**
 - **Sink w/pressurized water**
 - **Trash receptacle**
- **Courtesy lights**
- **Drink holders (6)**
- **Engine compartment:**
 - **Composite construction**
 - **Engine hatch, electric**
 - **Fiberglass motor hood, insulated**
 - **Gel-coated bilge**
- **Fiberglass liner**
- **Seating**
 - **Adjustable bucket seats w/head-rest, flip-up bolster, patented spring ride system**
 - **Cooler, 36-quart, carry-on, beneath hinged seat**
 - **U-shape lounge**
- **Skid-resistant floor**
- **Speakers, Sony® (2)**

- **Storage**
 - **In-floor ski storage**
 - **Hinged lid**
 - **Large enough for wakeboards and kneeboards**
- **Walk-thru transom**
- **Windshield wiper, starboard**

HELM AREA

- **Burlwood trim**
- **Compass**
- **Depth sounder**
- **Emergency engine shutoff**
- **Instrumentation, gold bezels**
 - **Fuel gauge**
 - **Oil pressure**
 - **Shallow water alarm**
 - **Speedometer**
 - **Tachometer**
 - **Temperature gauge**
 - **Trim gauge**
 - **Volt meter**
- **Lighted switches**
- **Receptacle, 12VDC**
- **Steering, tilt wheel**
- **Stereo, Sony® AM/FM, CD player, w/removable faceplate and remote w/display**

CABIN

- **Backrest converts to V-berth fill-in**
- **CO monitor**
- **Dual bi-fold doors, removable, translucent**
- **Head, porta-potti**
- **Lights, bullet**
- **Mirror**

- **Speakers, Sony® (2)**
- **Storage**
 - **Beneath V-berth cushions**
 - **Shelves behind backrests**
- **Vinyl headliner**

SYSTEMS

- **Battery, Interstate®**
- **Bilge blower**
- **Bilge pump, automatic**
- **Horn, electric**
- **Power steering**
- **Power trim and tilt**
- **Wire harness**
 - **Routed through PVC conduit in floor**

CANVAS

- **Bimini top**
- **Stainless steel top hardware**
- **Windshield connector, clear**

TRAILER

- **Sure-Load™ custom-matched**
 - **Disc brakes, surge**
 - **Swing-away tongue†**
- **Integrated step pads**
- **Keel rollers**
- **Radial tires**
- **Submersible lighting**
- **Tandem axle**
 - **Single axle brakes**
- **Tie-down straps (3)**
- **Tongue jack, swivel**
- **Treated bunks, carpeted (4)**
- **Treated side guides, carpeted**
- **Welded tube construction, 11-gauge**
- **Welded winch post**

OPTIONS

- **Batteries, dual w/switch**
- **CCB Gel Band**
- **Fire extinguishing system**
- **Dockside power**
- **Graphics, Sport**

- **Head, enclosed**
- **Head, pump-out**
- **Hour meter**
- **Seat cushion, aft fill-in**
- **Steering wheel, woodgrain**
- **Stereo remote at swim platform**
- **Stove, one burner, alcohol**
- **Table w/mount**
- **Trim tabs, hydraulic**
- **CE certification**

CANVAS OPTIONS

- **Camper (bimini top, sides, aft)**
- **Cockpit cover**
- **Mooring cover**

TRAILER OPTIONS

- **Disc brakes, tandem**
- **Galvanized trailer**
- **Spare tire and wheel**
- **Spare tire and wheel, aluminum or galvanized**
- **Wheel, aluminum**

POWER OPTIONS*

- Volvo-Penta® Stern Drives**
- 5.7 Gi/SX 280 hp
 - 5.7 Gi/Duoprop® 280 hp
 - 5.7 GXi/Duoprop® 320 hp
 - 8.1 Gi/Duoprop® 375 hp
- Stainless steel propellers standard
- MerCruiser® Stern Drives**
- 350 MPI Bravo I 300 hp
 - 350 MPI Bravo III 300 hp
 - MX 6.2 Bravo I 320 hp
 - MX 6.2 Bravo III 320 hp
 - 496 MG Bravo III 375 hp
- Stainless steel propellers standard

Four Winns Extra Value Standard Features • *See your Four Winns Dealer for complete engine availability • †NA with galvanized trailer



FOUR WINNS®
EXPERIENCE THE DIFFERENCE

285 SUNDOWNER®

Even well-grounded people
let loose occasionally.



SPECIFICATIONS

LOA	27'9" / 8.46 M
BEAM	30'1" / 9.17 M
DEADRISE	9'4" / 2.85 M
DRAFT - DRIVE DOWN	21"
FUEL CAPACITY	37" / 94 CM
MAX. CAPACITY	130 GAL / 491 L
APPROX. BOAT & ENGINE WEIGHT	6,380 LBS TO 7,280 LBS / 2,890 KG TO 3,330 KG
TRAILER WEIGHT (OPTIONAL)	1,690 LBS / 766 KG

STANDARDS & OPTIONS

What many boat manufacturers consider optional, Four Winns® considers essential to your boating fun. That's why you'll find so many premium features standard on every Four Winns. It's the common denominator that's uncommon in today's marine market. Comparison shoppers: Take note. No one offers a more complete boating package. See the [Extra Value Standard Features](#) highlighted in blue throughout the following listings.

HULL AND DECK

- 100% **Armorcote® gel coat**
- Anchor locker
 - Notch in lid for line
 - Overboard draining
- Bow anchor roller
- Bow light, stainless steel
- Bow and stern eyes, stainless
- Bow rails, thru-bolted, stainless steel
- Chrome-plated brass thru-hull fittings where applicable
- Cleats, euro-style, stainless (6)
- Deck hatch, white translucent
- Designators, dome-style
- **Dockside power**
- Engine air scoops, side deck
- Fuel cap, chrome
- Gel band color choices: **Navy, Red, Green, Dune, Black, Yellow**
- Graphics, standard
- Horn, concealed
- Navigation lights
- Port lites (4), opening w/ screens
- Props, stainless
- **Rub rail, rigid white vinyl w/stainless steel insert**
- **Shower, aft**
- Skid-resistant deck
- **Stable-Vee® hull**
- Stainless steel thru-hull fittings
- Stern rail w/ski eye, stainless
- Swim platform
 - **Extended platform, skid-resistant**
 - Ladder, angled, deep-reach, concealed
 - Storage tub, self-draining

- Trim tabs, hydraulic
- Windshield w/walk-thru
 - Full powder-coated aluminum frame
 - Safety glass
 - Stainless steel supports
- NMMA certification
- Meets applicable USCG regulations and ABYC standards

COCKPIT

- **Aquaflex™ vinyl**
- **Carpet, diamond pattern, snap-in, 40 oz.**
- Cockpit refreshment center
 - **Corian® countertop**
 - Dual batteries
 - **Receptacle, 110VAC**
 - Refrigerator
 - Sink w/pressurized water
 - Trash receptacle
- Courtesy lights
- Drink holders
- Engine compartment
 - Composite construction
 - **Electric engine hatch**
 - Fiberglass motor hood, insulated
 - Assist handle
 - Molded engine liner
- **Fiberglass liner**
- Seating
 - C-wrap stern seating
 - Cooler, 36 qt carry-on, beneath hinged seat
 - Fiberglass motor hood, adjustable drivers side w/flip-up bolster
 - Under seat storage
 - Unique port lounge

- Skid-resistant floor
- **Speakers, Sony® (4)**
 - Subwoofer, 10"
- Storage
 - **In-floor storage w/rubber mesh mat**
 - Hinged lid, gas assist shock
 - Multi-level side wall storage
- **Walk-thru transom**
- Windshield wiper, starboard

HELM AREA

- Burlwood trim
- **Compass**
- **Depth sounder**
- Drink holder
- Emergency engine shutoff
- High performance shift and throttle controls
- Instrumentation, gold bezels
 - Fuel gauge
 - Oil pressure
 - Shallow water alarm
 - Speedometer
 - Tachometer
 - Temperature gauge
 - Trim gauge
 - Volt meter
- Lighted switches
- Receptacle, 12VDC
- Steering, tilt wheel
- **Stereo, Sony® AM/FM, CD player, w/removable faceplate, remote w/display at helm**

CABIN

- Backrest converts to V-berth fill-in
- CO Monitor

- Fiberglass enclosed head
 - **Vacu-flush**
 - Bathroom tissue holder
 - Opening port lite w/screen
 - Overhead lighting
 - Receptacle, 110VAC
 - Removable carpet
 - Sink w/pressurized water
 - Storage locker
 - Hanging locker
 - Lights, bullet
 - Mirror
 - Sliding fiberglass door w/built-in steps
- Speakers, Sony® (2)
- Storage
 - Shelves behind backrests
- Vinyl headliner

SYSTEMS

- Batteries, Interstate
- Battery management system w/isolated engine start and ship's system circuits
- Bilge blower
- Bilge pump, automatic
- Horn, electric
- Power steering
- Power trim and tilt
- Remote oil filter(s)
- Wire harness
 - Routed through PVC conduit in floor

CANVAS

- **Bimini top**
- Stainless steel top hardware
- **Windshield connector, clear**

OPTIONS

- Bow rails, raised
- CCB Gel Band
- CD changer, 6-disc
- Engine flush-out kit
- Fire extinguishing system
- Graphics, sport
- Grey water system w/holding tank

- Hour meter
- Microwave
- Seat cushion, aft fill-ins
- Steering wheel, woodgrain
- Stereo remote at swim platform
- Stove, one burner, butane
- Table w/mount
- Thru-transom exhaust, Quick & Quiet Plus
- VHF radio
- Windlass w/rope, chain and anchor
- CE certification

CANVAS OPTIONS

- Camper canvas
- Cockpit cover
- Mooring cover

TRAILER OPTIONS

- Sure-Load™ custom-matched, tandem axle trailer w/tandem disc brakes
- Tri-axle trailer w/tri-axle brakes (req. w/twin engines)
- Galvanized trailer
- Spare tire and wheel
- Spare tire and wheel, aluminum or galvanized
- Wheel, aluminum

POWER OPTIONS*

- **Volvo-Penta® Stern Drives**
 - 8.1 Gi/Duoprop® 375 hp
 - Twin 5.0 GXi/SX 270 hp
 - Twin 5.7 GXi/SX 320 hp
- Stainless steel propellers standard
- **MerCruiser® Stern Drives**
 - 496 MG Bravo III 375 hp
 - Twin 5.0 MPI Bravo I 260 hp
 - Twin MX 6.2 Bravo I 320 hp
- Stainless steel propellers standard

Four Winns Extra Value Standard Features • *See your Four Winns Dealer for complete engine availability • †NA with galvanized trailer

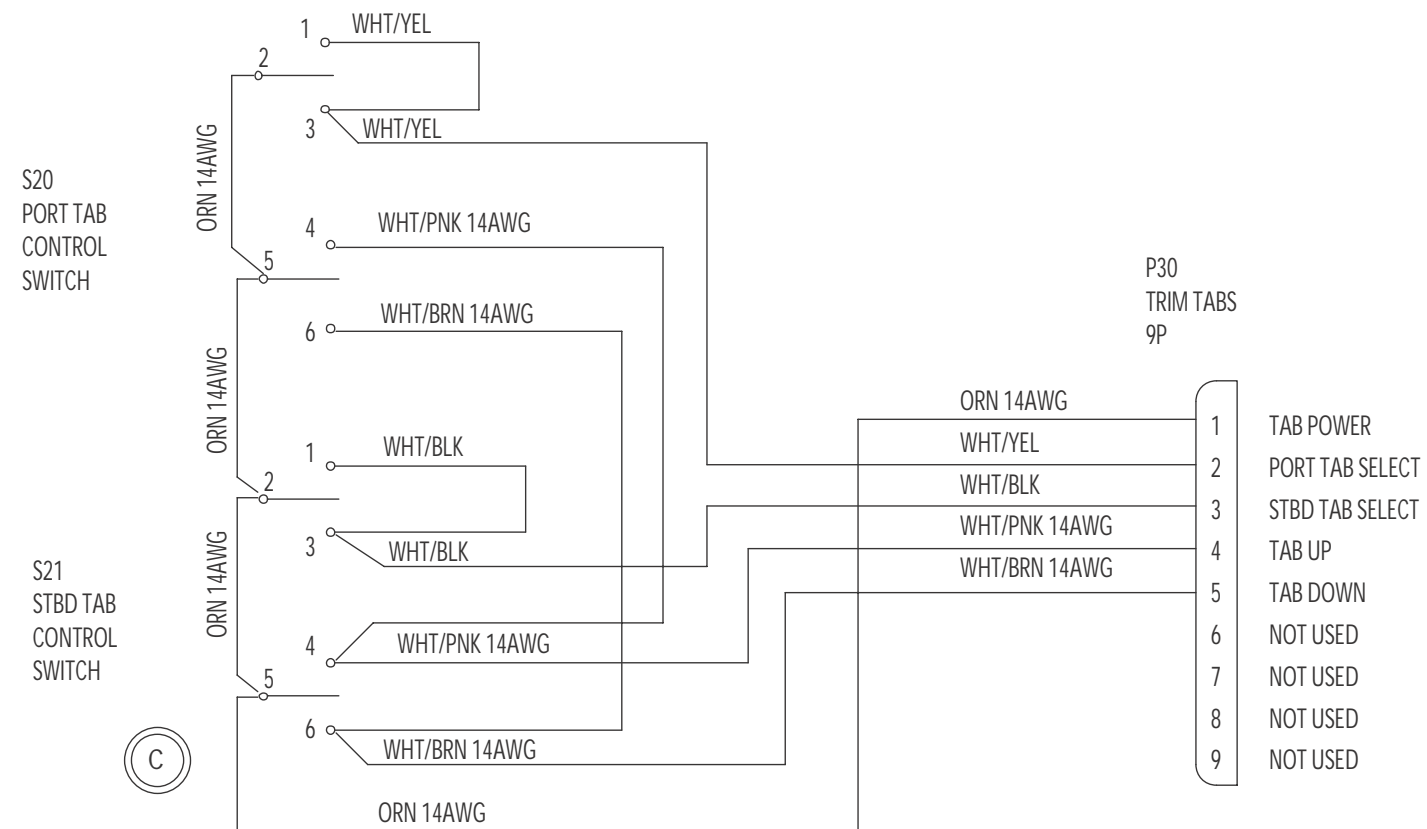


FOUR WINNS WIRE LIST

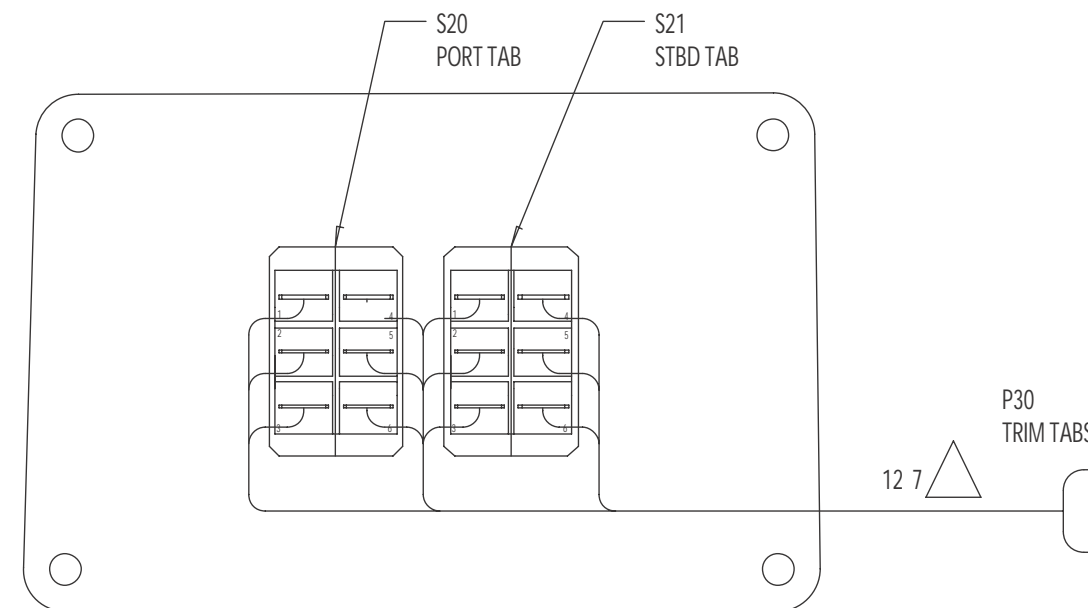
COLOR	GA	FIRST	PIN	TERM	NOTE	SECOND	PIN	TERM	NOTE	FUNCTION
ORN	14	P30	1	41		S21	5	02	SA	TAB POWER
WHT/YEL	16	P30	2	41		S20	3	02	SD	PORT TAB SELECT
WHT/BLK	16	P30	3	41		S21	3	02	SE	STBD TAB SELECT
WHT/PNK	14	P30	4	41		S21	4	02	SF	TAB UP
WHT/BRN	14	P30	5	41		S21	6	02	SG	TAB DOWN
ORN	14	S20	5	02	SC	S20	2	02		
ORN	14	S20	5	02	SC	S21	2	02	SB	TAB POWER
ONR	14	S21	2	02	SB	S21	5	02	SA	TAB POWER
WHT/BRN	14	S20	6	02	SG	S21	6	02		TAB DOWN
WHT/PNK	14	S20	4	02	SF	S21	4	02		TAB UP
WHT/YEL	16	S20	3	02	SD	S20	1	02		PORT TAB SELECT
WHT/BLK	16	S21	3	02	SE	S21	1	02		STBD TAB SELECT

FOUR WINNS PARTS LIST

ITEM	PART NUMBER	QUANTITY	DESCRIPTION	FUNCTION	MANUFACTURER
	028-0177	34	TERM,FASTON,.250,18-14	02	AMP
	028-0390	28	SOCKET,UMNL,18-14	42	AMP
	025-2185	1	PANEL,BLANK,TRIM TABS	BLANK PANEL	
P30	028-0449	1	PLUG,UMNL,9 CKT	TRIM TABS	AMP
S20	028-0460	1	SWITCH,(ON) OFF (ON) CONT III	PORT TAB SELECT	CARL SW
S21	028-0460	1	SWITCH,(ON) OFF (ON) CONT III	STBD TAB SELECT	CARL SW



REAR PANEL VIEW



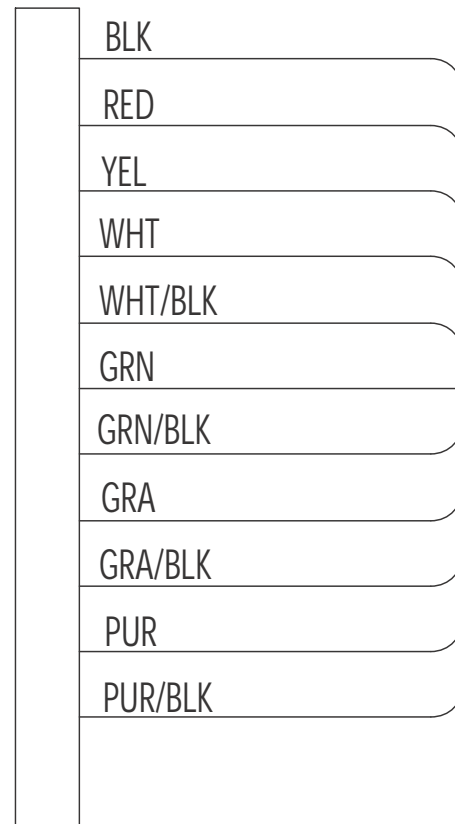


FOUR WINNS PARTS LIST

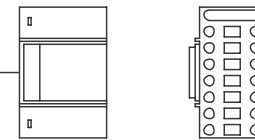
ITEM	PART NUMBER	QUANTITY	DESCRIPTION	FUNCTION	MANUFACTURER
	028-0390	3	PIN,UMNL,18-14	41	AMP
	028-1036	8	PIN,UMNL,24-18	57	AMP
J04	028-0448	1	RECEPT,UMNL,12 CKT	STEREO ADAPTOR	AMP
S01	027-1823	1	SONY STEREO HARNESS	SONY STEREO	SONY

J04
STEREO
12P

- STEREO RET 1
- STEREO 2
- STEREO MEMORY 3
- LEFT FRONT SPKR 4
- LEFT FRONT SPKR RET 5
- LEFT REAR SPKR 6
- LEFT REAR SPKR RET 7
- RIGHT FRONT SPKR 8
- RIGHT FRONT SPKR RET 9
- RIGHT REAR SPKR 10
- RIGHT REAR SPKR RET 11
- NOT USED 12



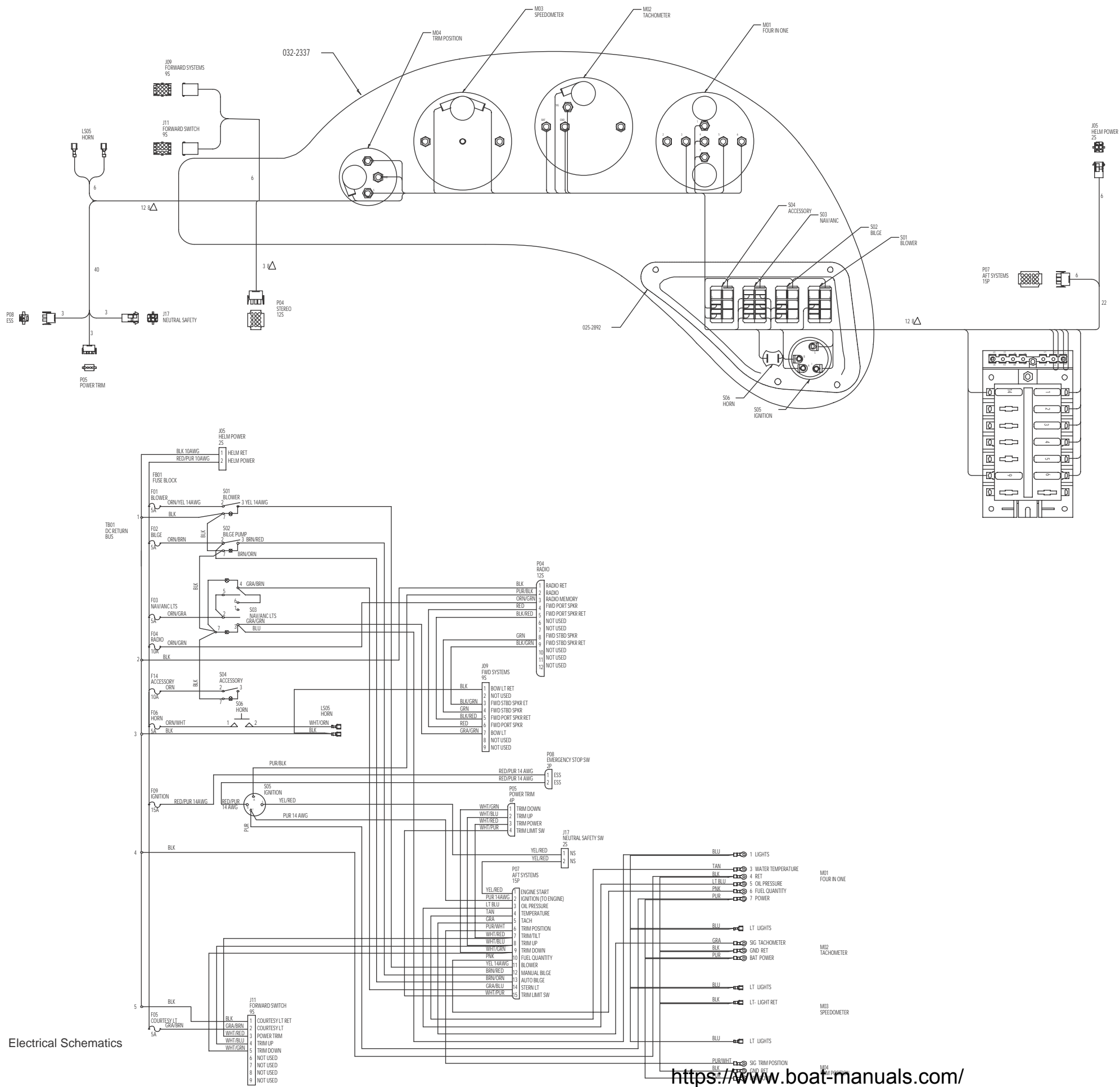
S01
SONY STEREO HARNESS



FOUR WINNS WIRE LIST

COLOR	GA	FIRST	PIN	TERM	NOTE	SECOND	PIN	TERM	NOTE	FUNCTION
BLK	16	KW1		51		J04	1	41		STEREO RET
RED	16	KW1		51		J04	2	41		STEREO
YEL	16	KW1		51		J04	3	41		STEREO MEMORY
WHT	20	KW1		51		J04	4	57		LEFT FRONT SPKR
WHT/BLK	20	KW1		51		J04	5	57		LEFT FRONT SPKR RET
GRN	20	KW1		51		J04	6	57		LEFT REAR SPKR
GRN/BLK	20	KW1		51		J04	7	57		LEFT REAR SPKR RET
GRA	20	KW1		51		J04	8	57		RIGHT FRONT SPKR
GRA/BLK	20	KW1		51		J04	9	57		RIGHT FRONT SPKR RET
PUR	20	KW1		51		J04	10	57		RIGHT REAR SPKR
PUR/BLK	20	KW1		51		J04	11	57		RIGHT REAR SPKR RET

170-180 FREEDOM
180-260 HORIZON
205-245 SUNDOWNER
SONY STEREO W/AMP
HARNESS ASSEMBLY



FOUR WINNS WIRE LIST

COLOR	GA	FIRST	PIN	TERM	NOTE	SECOND	PIN	TERM	NOTE	FUNCTION
BLK	10	J05	1	43		TB01	RET	13		HELM RET
RED/PUR	10	J05	2	43		FBO1	FEED	13		HELM POWER
ORN/YEL	14	FBO1	F01	02		S01	2	02		SWITCH LT RET
BLK	16	TB01	1	02		S01	7	02	SA	BLOWER
BLK	16	S01	7	02	SA	S02	7	02	SB	SWITCH LT RET
BLK	16	S02	7	02	SB	S03	7	02	SC	SWITCH LT RET
BLK	16	S03	7	02	SC	S04	7	02		SWITCH LT RET
ORN/BRN	16	FBO1	F02	02		S02	2	02		BILGE PUMP IN
ORN/GRN	16	FBO1	F03	02		S03	2	02	SD	NAVIANC LITS IN
ORN/GRN	16	FBO1	F04	02		P04	3	42		RADIO IN
BLK	16	TB01	2	02		P04	1	42		RADIO RET
ORN	16	FBO1	F14	02		S04	2	02		ACCESSORY IN
ORN/WHT	16	TB01	3	02		S06	1	02		HORN IN
BLK	16	TB01	3	02		LS05	-	02	SG	HORN RET
RED/PUR	14	FBO1	F09	02		P08	1	41		IGNITION IN
BLK	16	TB01	4	02		M01	4	09		IGNITION IN
YEL	14	S01	3	02		P07	11	41	SL	INSTRUMENT RET
BRN/RED	16	S02	3	02		P07	12	41		BLOWER
BRN/GRN	16	S02	2	02		P07	13	41		BILGE MANUAL
ORN/GRN	16	S03	2	02	SD	S03	5	02		BILGE AUTO
GRN/BRN	16	S03	4	02	SE	S03	6	02		NAVIANC JUMPER
GRN/BRN	16	S03	4	02	SE	P07	14	41		ANC JUMPER
GRN/GRN	16	S03	3	02	SF	J09	7	42		STERN LT
BLU	16	S03	3	02	SF	M01	1	09	SI	BOW LIGHT
BLK	16	LS05	-	02	SG	J08	1	42		INSTRUMENT LIGHTS
RED/PUR	14	S05	8	02		P08	2	41		BOW LT RET
PUR/BLK	16	S05	A	02		P04	2	42		IGNITION ACCESSORY
YEL/RED	16	S05	5	02		J17	1	41		START
PUR	14	S05	1	02	SH	P07	2	41		IGNITION
PUR	16	S05	1	02	SH	M01	7	09	SD	IGNITION
RED	16	P04	4	42	BA	J09	6	42		INSTRUMENT +
BLK/RED	16	P04	5	42	BA	J09	5	42		FWD PORT SPKR
GRN	16	P04	8	42	BB	J09	4	42		FWD STBD SPKR
BLK/GRN	16	P04	9	42	BB	J09	3	41		FWD STBD SPKR RET
WHT/GRN	16	P05	1	41		P07	9	41	SO	TRIM LIMIT SW
WHT/BLU	16	P05	2	41		P07	8	41	SR	TRIM UP
WHT/RED	16	P05	3	41		P07	7	41	SS	TRIM POWER
WHT/PUR	16	P05	4	41		P07	15	41		TRIM LIMIT SW
YEL/RED	16	P07	1	41		J17	2	42		START
LT/BLU	16	P07	3	41		M01	5	09		OIL PRESSURE
TAN	16	P07	4	41		M01	9	09		WATER TEMPERATURE
GRN	16	P07	5	41		M02	SIG	09		TACHOMETER
PUR/WHT	16	P07	6	41		M04	SIG	09		TACHOMETER
PNK	16	P07	10	41		M01	6	09		FUEL QUANTITY
BLU	16	M01	1	09	SI	M02	LT	02	SJ	INSTRUMENT LIGHT
BLU	16	M02	LT	02	SJ	M03	LT	02	SK	INSTRUMENT LIGHT
BLU	16	M03	LT	02	SK	M04	LT	02		INSTRUMENT LIGHT
BLK	16	M01	4	09	SM	M02	GND	09	SM	INSTRUMENT RET
BLK	16	M02	GND	09	SM	M03	LT	02	SN	INSTRUMENT RET
BLK	16	M03	LT	02	SN	M04	GND	09		INSTRUMENT RET
PUR	16	M01	7	09	SO	M02	BAT	09	SP	INSTRUMENT POWER
PUR	16	M02	BAT	09	SO	M04	BAT	09		INSTRUMENT POWER
BLK	16	J11	4	42		TB01	5	02		CTS/LT RET
GRN/BRN	16	J11	2	42		FBO1	F05	02		CTS/LT
WHT/RED	16	J11	3	42		P07	7	41	SS	POWER TRIM
WHT/BLU	16	J11	4	42		P07	8	41	SR	TRIM UP
WHT/GRN	16	J11	5	42		P07	9	41	SO	TRIM DOWN

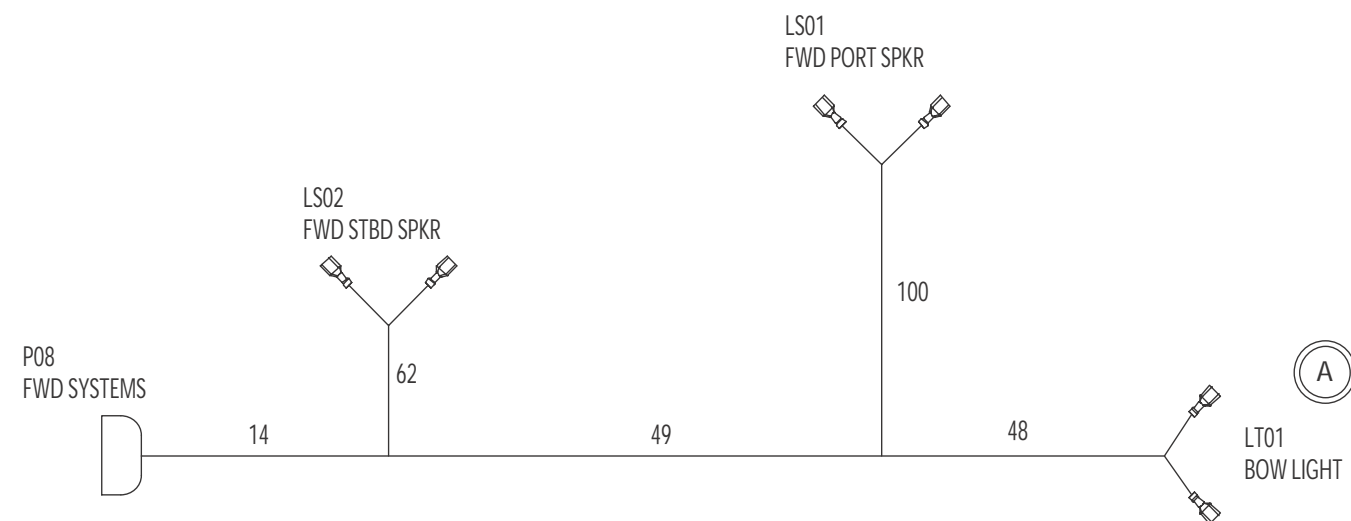
FOUR WINNS PARTS LIST

ITEM	PART NUMBER	QUANTITY	DESCRIPTION	FUNCTION	MANUFACTURER
	028-0177	41	RECEPT FASTON_250.18-14	02	AMP
	028-1010	2	TERMPIN_156.18-14	03	AMP
	028-0191	11	TERMPIN#10.16-14	09	AMP
	028-0195	2	TERMPIN#12.12-10	13	AMP
	028-0390	20	PIN/LUMIN_18-14	41	AMP
	028-0454	20	SOCKET/LUMINL_18-14	42	AMP
	028-0455	2	SOCKET/LUMINL_12-10	43	AMP
	028-0519	1	SWITCH/BLANK CONT III		AMP
	025-2892	1	PANEL/BLANK/IGN170180HLE #10 BURL		PORTAGE
	032-2337	1	SHROUD STBD. DUNE 170180E		DOVE
F01	028-0507	1	FUSE/ATC 5A	BLOWER	BUSS
F02	028-0507	1	FUSE/ATC 5A	BILGE	BUSS
F03	028-0507	1	FUSE/ATC 5A	NAVIANC	BUSS
F04	028-0509	1	FUSE/ATC 10A	RADIO	BUSS
F05	028-0507	1	FUSE/ATC 5A	CTS/LT	BUSS
F06	028-0507	1	FUSE/ATC 5A	BUSS	BUSS
F09	028-0510	1	FUSE/ATC 15A	BUSS	BUSS
F14	028-0509	1	FUSE/ATC 10A	IGNITION	BUSS
FBO1	028-0515	1	FUSE/BLK 14 POS/GROUND	ACCESSORY	BUSS
J05	028-0441	1	RECEPT/LUMINL 2 CXT	HELM POWER	SERRA
J09	028-0443	1	RECEPT/LUMINL 9 CXT	HELM POWER	SERRA
J17	028-0441	1	RECEPT/LUMINL 2 CXT	NEUTRAL SAFETY	AMP
J09	028-0443	1	RECEPT/LUMINL 9 CXT	FWD SYSTEMS	AMP
J11	028-0443	1	RECEPT/LUMINL 9 CXT	FWD SWITCH	AMP
LS05	026-0503	REF	HORN/AFI HIDDEN	HORN	FARIA
M01	024-0438	1	GAUGE 4 IN I FARIA	4 IN I	FARIA
M02	024-0434	1	GAUGE TACHOMETER FARIA	TACHOMETER	FARIA
M03	024-0433	1	GAUGE SPEEDO FARIA	TACHOMETER	FARIA
M04	024-0436	1	GAUGE TRIM SD FARIA	TRIM POSITION	FARIA
P04	028-0451	1	PLUG/LUMINL 12 CXT	RADIO	AMP
P05	028-0448	1	PLUG/LUMINL 4 CXT	TRIM	AMP
P07	028-0452	1	PLUG/LUMINL 15 CXT	AFT SYSTEMS	AMP
P08	028-0447	1	PLUG/LUMINL 2 CXT	ESS	AMP
S01	028-0457	1	SWITCH SPST CONT III	CARL SW	AMP
S02	028-0457	1	SWITCH SPST CONT III	BILGE	CARL SW
S03	028-0504	1	SWITCH SPST CONT III	CARL SW	AMP
S04	028-0457	REF	SWITCH SPST CONT III	ACCESSORY	CARL SW
S05	028-1286	1	SWITCH/IGNITION W/ACCESSORY IO	IGNITION	SERRA
S06	028-0186	1	SWITCH/BUTTON NO	HORN	DELTA
TB01		REF	RETURN BUSS	DC RET	



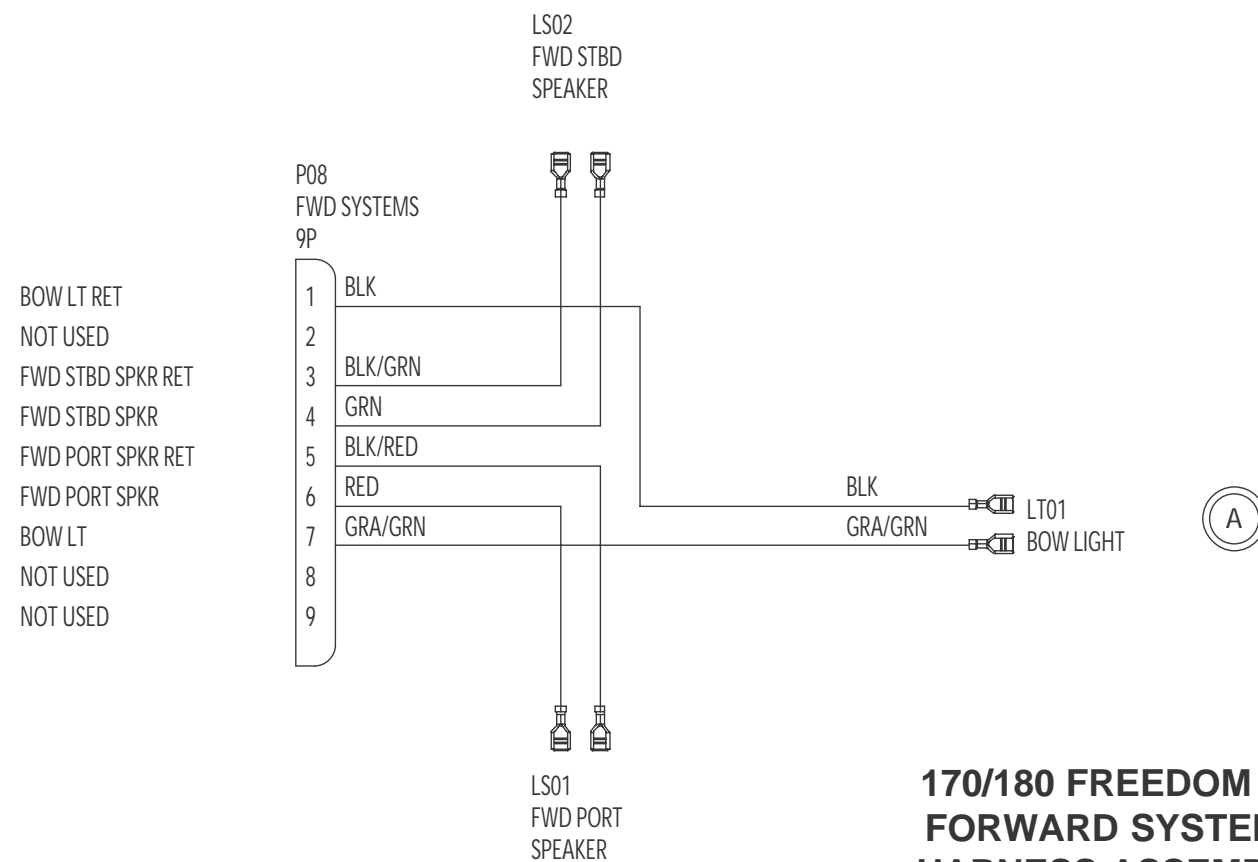
FOUR WINNS WIRE LIST

COLOR	GA	FIRST	PIN	TERM	NOTE	SECOND	PIN	TERM	NOTE	FUNCTION
BLK	16	P08	1	41	BC	LT01	-	02		BOW LT RET
BLK/GRN	16	P08	3	41	BA	LS02	-	02		FWD STBD SPR RET
GRN	16	P08	4	41	BA	LS02	+	02		FWD STBD SPKR
BLK/RED	16	P08	5	41	BB	LS01	-	02		FWD PORT SPKR RET
RED	16	P08	6	41	BB	LS01	+	02		FWD PORT SPKR
GRA/GRN	16	P08	7	41	BC	LT01	+	02		BOW LT

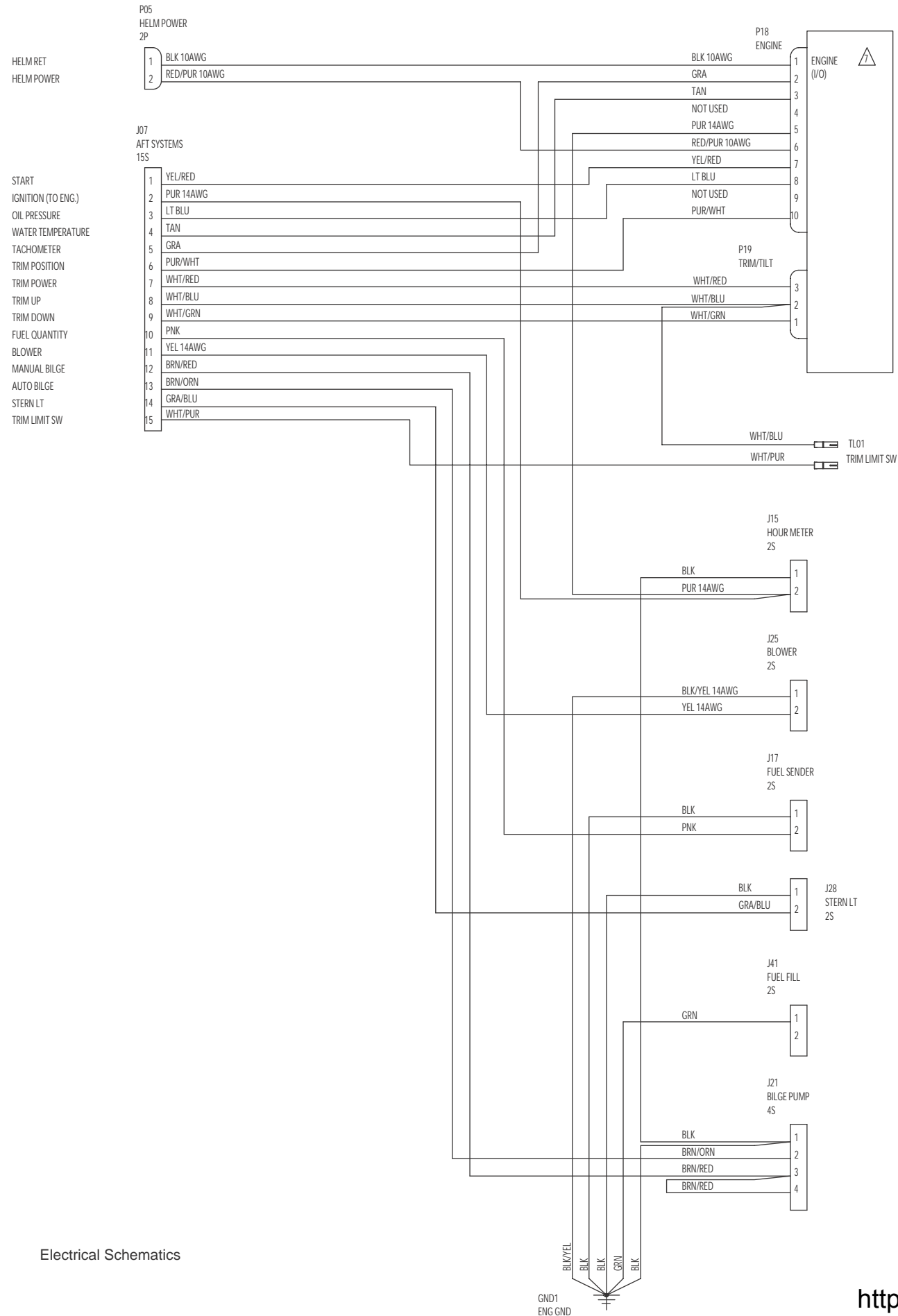


FOUR WINNS PARTS LIST

ITEM	PART NUMBER	QUANTITY	DESCRIPTION	FUNCTION	MANUFACTURER
	028-0177	8	RECEPT,FASTON,.250,18-14	02	AMP
	028-0390	2	PIN,UMNL,18-14	41	AMP
LS01		REF	SPEAKER	FWD PORT SPKR	
LS02		REF	SPEAKER	FWD STBD SPKR	
LT01		REF	LIGHT, NAV, 2 MILE	NAV LIGHT	
P08	028-0449	1	PLUG,UMNL,9 CKT	FWD SYSTEMS	AMP



170/180 FREEDOM I/O FORWARD SYSTEMS HARNESS ASSEMBLY



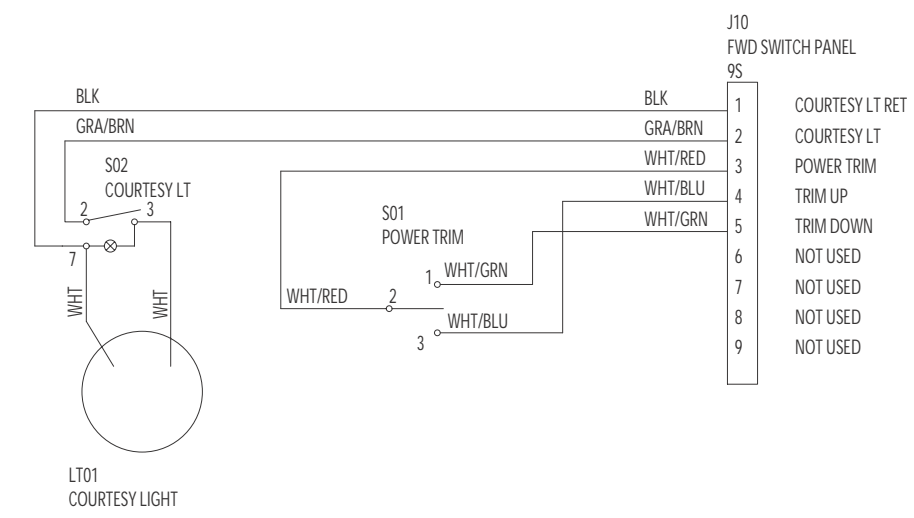
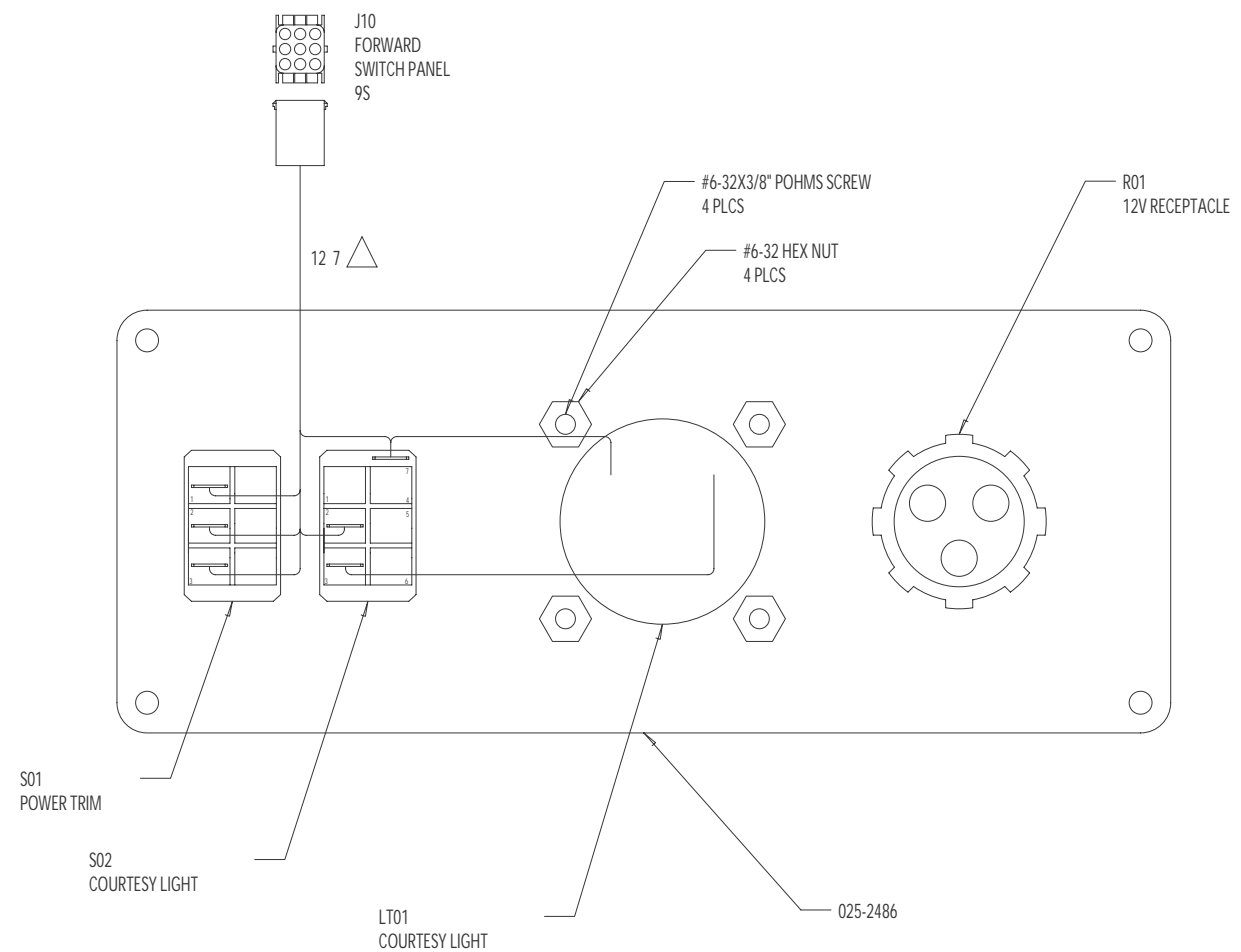
SPEEDOMETER HOSE PITOT TUBE

FOUR WINNS PARTS LIST

ITEM	PART NUMBER	QUANTITY	DESCRIPTION	FUNCTION	MANUFACTURER
	028-0197	1	TERM.RING,3/8-.12-10	15	AMP
	028-0453	2	PIN,UMNL,12-10	40	AMP
	028-0454	25	SOCKET,UMNL,18-14	42	AMP
	028-0211	2	RECEPT, SOCKET, .156,16-14	46	AMP
GND1		REF	ENGINE GROUND	ENGINE GROUND	
HS01	024-0073	1	HOSE,SPEEDOMETER, C1101033	SPEEDOMETER	NEW AGE
J07	028-0446	1	RECEPT,UMNL,15 CKT	AFT SYSTEMS	AMP
J15	028-0441	1	RECEPT,UMNL,2 CKT	HOUR METER	AMP
J17	028-0441	1	RECEPT,UMNL,2 CKT	FUEL SENDER	AMP
J21	028-0442	1	RECEPT,UMNL,4 CKT	BILGE PUMP	AMP
J25	028-0441	1	RECEPT,UMNL,2 CKT	BLOWER	AMP
J28	028-0441	1	RECEPT,UMNL,2 CKT	STERN LT	AMP
J41	028-0441	1	RECEPT,UMNL,2 CKT	FUEL FILL GROUND	AMP
P05		1	PLUG,UMNL,2 CKT	HELM POWER	AMP
P18	028-0447	1	PLUG,ENGINE I/O	ENGINE	OMC
P19		1	PLUG,TRIM/TILT	TRIM/TILT	OMC

FOUR WINNS WIRE LIST

COLOR	GA	FIRST	PIN	TERM	NOTE	SECOND	PIN	TERM	NOTE	FUNCTION
GRN	16	J41	1	42		GND1	1	15	SG	FUEL FILL GROUND
BLK	16	J21	1	42	SJ	GND1	1	15	SG	BILGE RET
BLK	16	J28	1	42		GND1	1	15	SG	STERN LIGHT RET
BLK	10	P05	1	40		P18	1	51		12 V RETURN
BLK	16	J17	1	42		GND1	1	15	SG	FUEL SENDER RET
BLK/YEL	14	J25	1	42		GND1	1	15	SG	BLOWER RET
BLK	16	J15	1	42		J21	1	42	SJ	HOUR METER RET
BRN/ORN	16	J07	13	42		J21	2	42		BILGE AUTO
BRN/RED	16	J07	12	42		J21	3	42	SI	BILGE MANUAL
GRA	16	J07	5	42		P18	2	51		TACH
GRA/BLU	16	J07	14	42		J28	2	42		STERN LIGHT
LT BLU	16	J07	3	42		P18	8	51		OIL PRESSURE
PNK	16	J07	10	42		J17	2	42		FUEL QUANTITY
PUR	14	J07	2	42	SF	J15	2	42		HOUR METER
PUR	14	J15	2	42	SA	P18	5	51	SA	IGNITION
PUR/WHT	16	J07	6	42		P18	10	51		TRIM POSITION
RED/PUR	10	P05	2	40		P18	6	51		12 V FEED
TAN	16	J07	4	42		P18	3	51		TEMP
WHT/BLU	16	J07	8	42		P19	2	51	SK	TRIM UP
WHT/BLU	16	P19	2	51	SK	TL01	-	46		TRIM LIMIT SW
WHT/GRN	16	J07	9	42		P19	1	51		TRIM DOWN
WHT/RED	16	J07	7	42		P19	3	51		TRIM/TILT
YEL	14	J07	11	42		J25	2	42		BLOWER
YEL/RED	16	J07	1	42	SI	P18	7	51		ENGINE START
BRN/RED	16	J21	3	42		J21	4	42		AUTO BILGE JUMPER
WHT/PUR	16	J07	15	42		TL01	-	46		TRIM LIMIT SW

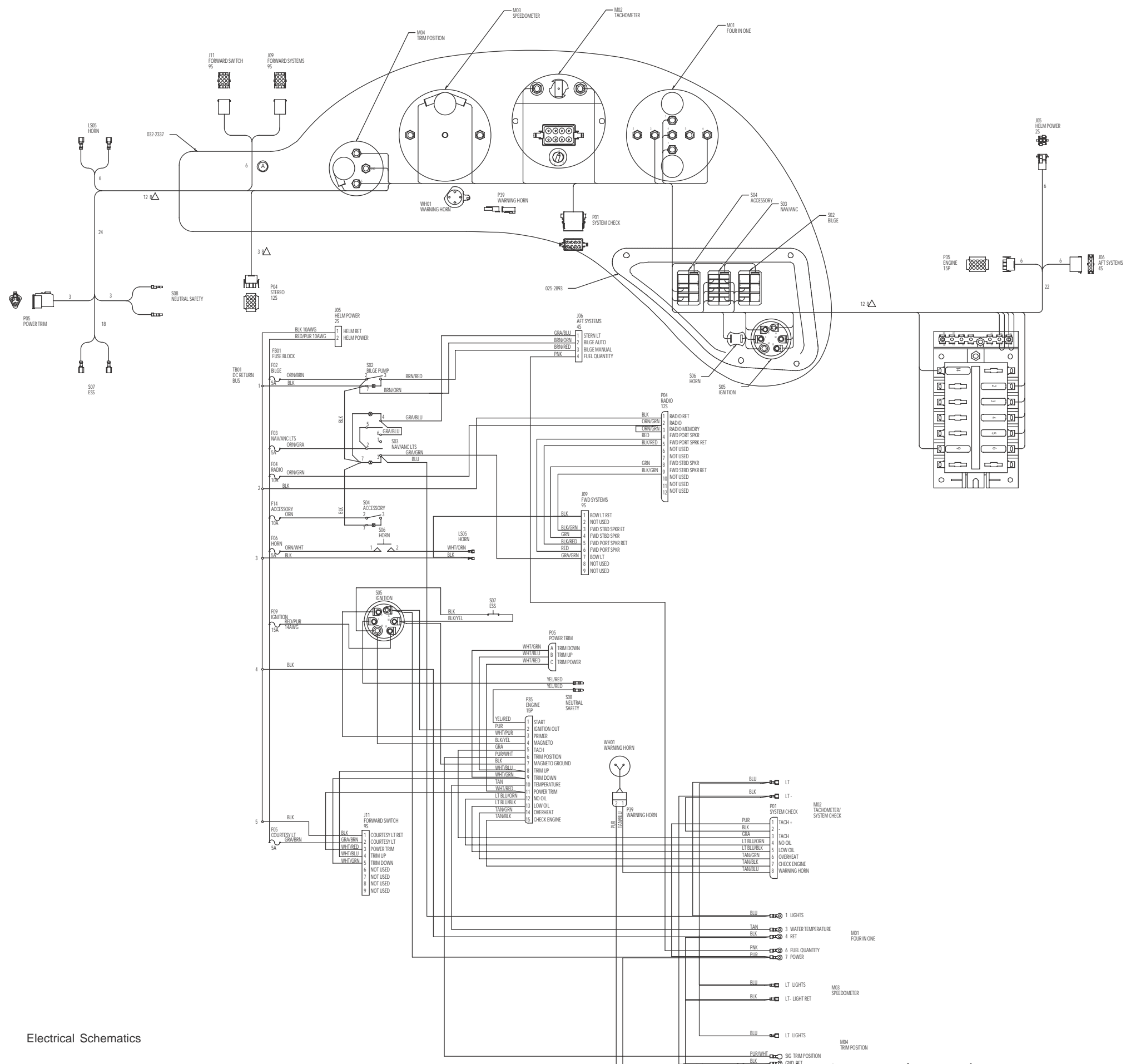


FOUR WINNS PARTS LIST

ITEM	PART NUMBER	QUANTITY	DESCRIPTION	FUNCTION	MANUFACTURER
	028-0177	6	RECEPT,FASTON,,250,18-14	02	AMP
	028-0454	5	SOCKET,UMNL,18-14	42	AMP
	080-0029	4	SCREW,#6-32X3/8" POHMS SS	COURTESY LT	
		4	NUT,#6-32 HEX SS	COURTESY LT	
	025-2486	1	PANEL,BLANK,FISH & SKI 2001		
J10	028-0443	1	RECEPT,UMNL,9 CKT	FWD SWITCH PANEL	AMP
R01	028-1394	1	RECEPT,12V TROLL MTR 12VBR.OEM	TROLLING MOTOR	MARINCO
S01	028-0469	1	SWITCH,SPDT,(ON)OFF(ON) CONT III	POWER TRIM	CARL SW
S02	028-0457	1	SWITCH,SPST,CONT III	COURTESY LIGHT	CARL SW
LT01	026-0138	1	LIGHT,SQUARE CTSY,7-02CMW	COURTESY LIGHT	BEACON

FOUR WINNS WIRE LIST

COLOR	GA	FIRST	PIN	TERM	NOTE	SECOND	PIN	TERM	NOTE	FUNCTION
BLK	16	J10	1	42		S02	7	02		COURTESY LT RET
GRA/BRN	16	J10	2	42		S02	2	02		COURTESY LT
WHT/RED	16	J10	3	42		S01	2	02		POWER TRIM
WHT/BLU	16	J10	4	42		S01	3	02		TRIM UP
WHT/GRN	16	J10	5	42		S01	1	02		TRIM DOWN
WHT	16	LT01	1	51		S02	3	02		LIGHT POWER
WHT	16	LT01	2	51		S02	7	02		LIGHT RET



FOUR WINNS WIRE LIST

COLOR	GA	FIRST	PN	TERM	NOTE	SECOND	PN	TERM	NOTE	FUNCTION
BLK	10	J05	1	43		TB01	RET	13		HELM RET
RED/PUR	10	J05	2	43		FB01	F02	13		HELM POWER
CRN/GRN	10	FB01	F02	02		S02	2	02	SA	BLGE IN
BLK	16	TB01	1	02	SB	S02	7	02	SB	SWTCH LT RET
BLK	16	S02	7	02	SC	S04	7	02	SC	SWTCH LT RET
BLK	16	S03	7	02	SC	S04	7	02	SC	SWTCH LT RET
CRN/GRN	16	FB01	F03	02		S03	2	02	SD	NAVIANC IN
CRN/GRN	16	FB01	F04	02		P04	2	42	S	RADIO IN
BLK	16	TB01	2	02		P04	1	42		RADIO RET
CRN	16	FB01	F04	02		S04	2	02		ACCESSORY
CRN/WHIT	16	FB01	F06	02		S06	1	02		HORN IN
BLK	16	TB01	3	02		LS05	-	02	SM	HORN RET
RED/PUR	14	FB01	F09	02		S05	B	02		IGNITION IN
BLK	16	TB01	4	02		M01	4	09	SN	INSTRUMENT LT RET
BLK	16	TB01	5	02		J11	1	42		CTSY LT
GRN/BRN	16	TB01	F05	02		J11	2	42		CTSY LT
BRN/RED	16	S02	3	02		J06	3	42		BLGE MANUAL
BRN/CRN	16	S02	2	02	SA	J06	2	42		BLGE AUTO
CRN/GRN	16	S02	2	02	SD	S03	5	02		NAVIANC JUMPER
GRN/BLU	16	S03	4	02	SE	S03	6	02		STERN LT JUMPER
GRN/BLU	16	S03	4	02	SE	J06	1	42		STERN LT
GRN/GRN	16	S03	3	02		J09	7	42		BOW LT
BLU	16	S03	3	02		M01	1	09	SO	INSTRUMENT LTS
WHIT/CRN	16	S06	2	02		LS05	-	02		HORN
BLK	16	LS05	-	02	SM	J09	1	42		BOW LT RET
BLK	16	S05	M	02	SF	S07	1	02		ESS
BLK	16	S05	M	02	SF	P35	7	41		MAGNETO GROUND
BLK/YEL	16	S05	M	02	SG	S07	2	02		ESS
BLK/YEL	16	S05	M	02	SG	P35	4	41		MAGNETO
PUR	16	S05	A	02	SH	S08	1	02		IGNITION
PUR	16	S05	A	02	SH	M01	7	09	SU	INSTRUMENT +
WHIT/PUR	16	S05	C	02		P35	3	41		PRIMER
YEL/RED	16	S08	2	03		S08	1	02		START
YEL/RED	16	S08	2	03		P35	1	41		START
WHIT/GRN	16	P35	9	41	SU	J11	A	36		TRIM DOWN
WHIT/GRN	16	P35	9	41	SU	J11	A	36		TRIM DOWN
WHIT/BLU	16	P35	8	41	SK	P05	B	36		TRIM UP
WHIT/BLU	16	P35	8	41	SK	J11	4	42		TRIM UP
WHIT/RED	16	P35	11	41	SL	P05	C	36		TRIM POWER
GRN	16	P35	5	41	SL	J11	3	42		TRIM POWER
WHIT/RED	16	P35	6	41	SL	P01	3	36		TACH
GRN	16	P35	6	41	SL	M04	SG	09		TRIM POSITION
TAN	16	P35	10	41		M02	3	09		WATER TEMPERATURE
LT BLU/GRN	16	P35	12	41		P01	4	36		NO OIL
LT BLU/BLK	16	P35	13	41		P01	5	36		LOW OIL
TAN/GRN	16	P35	14	41		P01	6	36		OVERHEAT
TAN/BLK	16	P35	15	41		P01	7	36		CHECK ENGINE
CRN/GRN	16	P04	2	41	SU	P04	3	42		FUEL QUANTITY
GRN	16	P04	4	42		M01	6	42		FUEL QUANTITY
RED	16	P04	4	42	BA	J09	6	42		FWD PORT SPKR
BLK/RED	16	P04	5	42	BA	J09	5	42		FWD PORT SPKR
GRN	16	P04	9	42	BB	J09	4	42		FWD STBD SPKR
BLK/GRN	16	P04	9	42	BB	J09	3	42		FWD STBD SPKR
BLU	16	M01	1	09	SO	M02	LT	02	SR	TACH LIGHT
BLU	16	M02	LT	02	SR	M03	LT	02	SR	SPEEDO LIGHT
BLU	16	M03	LT	02	SN	M04	LT	02	SO	TRIM POSITION LIGHT
BLK	16	M01	4	09	SN	M03	LT	02	SO	SPEEDO RET
BLK	16	M03	LT	02	SN	M04	GRD	09	SP	TRIM POSITION RET
BLK	16	M04	GRD	09	SP	M02	LT	02	ST	TACH RET
BLK	16	M02	LT	02	ST	P01	2	36		TACH RET
PUR	16	M01	7	09	SU	P01	1	36		TACH POWER
PUR	16	M01	7	09	SU	M04	BAT	09	SV	TRIM POSITION POWER
PUR	16	M04	BAT	09	SV	P39	2	36		WARNING HORN POWER
TAN/BLU	16	P39	1	36		P01	8	36		WARNING HORN

FOUR WINNS PARTS LIST

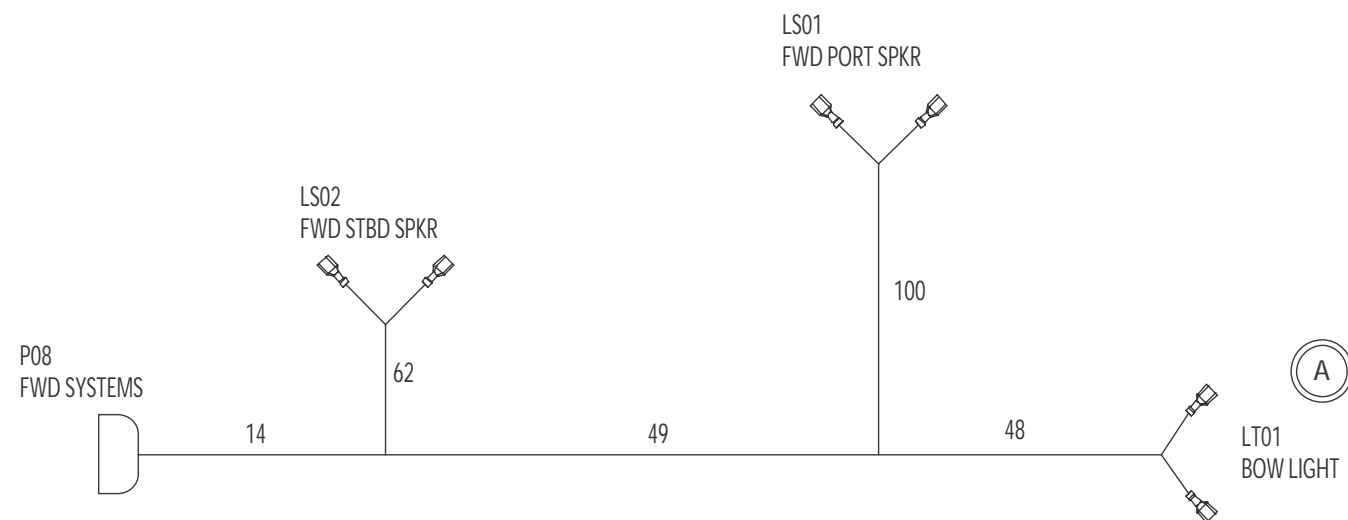
ITEM	PART NUMBER	QUANTITY	DESCRIPTION	FUNCTION	MANUFACTURER
	028-0177	40	RECEPT FASTON 250 18-14	02	AMP
	028-1010	2	TERMINAL 16-18-14	03	AMP
	028-0191	8	TERMINAL 10-15-14	09	AMP
	028-0195	13	TERMINAL 10-15-10	13	AMP
	028-0620	13	SOCKET DEUTSCH 18-14	36	AMP
	028-0390	15	SOCKET LUMIL 18-14	41	AMP
	028-0454	22	SOCKET LUMIL 18-14	42	AMP
	028-0455	2	SOCKET LUMIL 12-10	43	AMP
	028-0619	1	SWITCH BLANK CONT II		AMP
	025-2893	1	PANEL BLANK 170/180/180E OB BURL		PORTAGE
	032-2337	1	SHROUD DUNE 170/180E		DOVE
F02	028-0507	1	FUSE ATCSA	BLGE BUSS	
F03	028-0507	1	FUSE ATCSA	NAVIANC BUSS	
F04	028-0509	1	FUSE ATCSA	RADIO BUSS	
F05	028-0507	1	FUSE ATCSA	CTSY LT BUSS	
F06	028-0507	1	FUSE ATCSA	HORN BUSS	
F09	028-0510	1	FUSE ATCSA	IGNITION BUSS	
F14	028-0509	1	FUSE ATCSA	ACCESSORY BUSS	
FB01	028-0575	1	FUSE BLOCK 14 POS/GROUND	HELM POWER	SERRA
J05	028-0441	1	RECEPT LUMIL 2 OCT	HELM POWER	AMP
J06	028-0442	1	RECEPT LUMIL 4 OCT	AFT SYSTEMS	AMP
J09	028-0443	1	RECEPT LUMIL 9 OCT	FWD SYSTEMS	AMP
J11	028-0443	1	RECEPT LUMIL 9 OCT	FWD SWITCH	AMP
LS05	026-0503	REF	HORN LH HIDDEN	HORN	
M01	024-0439	1	GAUGE 3 IN I FABRA	4 IN 1	FABRA
M02	024-0435	1	GAUGE TACHOMETER W/ SYS CHK FABRA	TACHOMETER	FABRA
M03	024-0433	1	GAUGE SPEEDO FABRA	SPEEDOMETER	FABRA
M04	024-0437	1	GAUGE TRIM OB FABRA	TRIM POSITION	FABRA
P01	028-0425	1	PLUG DEUTSCH 2 OCT	SYSTEM CHECK	DEUTSCH
P04	028-0451	1	PLUG DEUTSCH 2 OCT	RADIO	AMP
P05	028-0452	1	PLUG DEUTSCH 2 OCT	TRIM	AMP
P07	028-0452	1	PLUG LUMIL 15 OCT	ENGINE	DEUTSCH
P39	028-1001	1	PLUG DEUTSCH 2 OCT	WARNING HORN	AMP
S02	028-0453	1	SWITCH SPST CONT III	BLGE	DEUTSCH
S03	028-0504	1	SWITCH DPDT CONT III	NAVIANC	CARL SW
S04	028-0457	REF	SWITCH SPST CONT III	ACCESSORY	SERRA
S05	028-0507	1	SWITCH SPST CONT III	IGNITION	HORN
S06	028-0186	1	SWITCH BUTTON MO	HORN	DELTA
S07	028-0208	REF	SWITCH ESSIC	ESS	
S08		REF	SWITCH NEUTRAL SAFETY	NEUTRAL SAFETY	
TB01		REF	RETURN BUSS	DC RET	
WH01	026-0306	1	HORN KIT OB WARNING	SYSTEM CHECK HORN	OMC

170/180 FREEDOM O/B INSTRUMENTATION PANEL ASSEMBLY



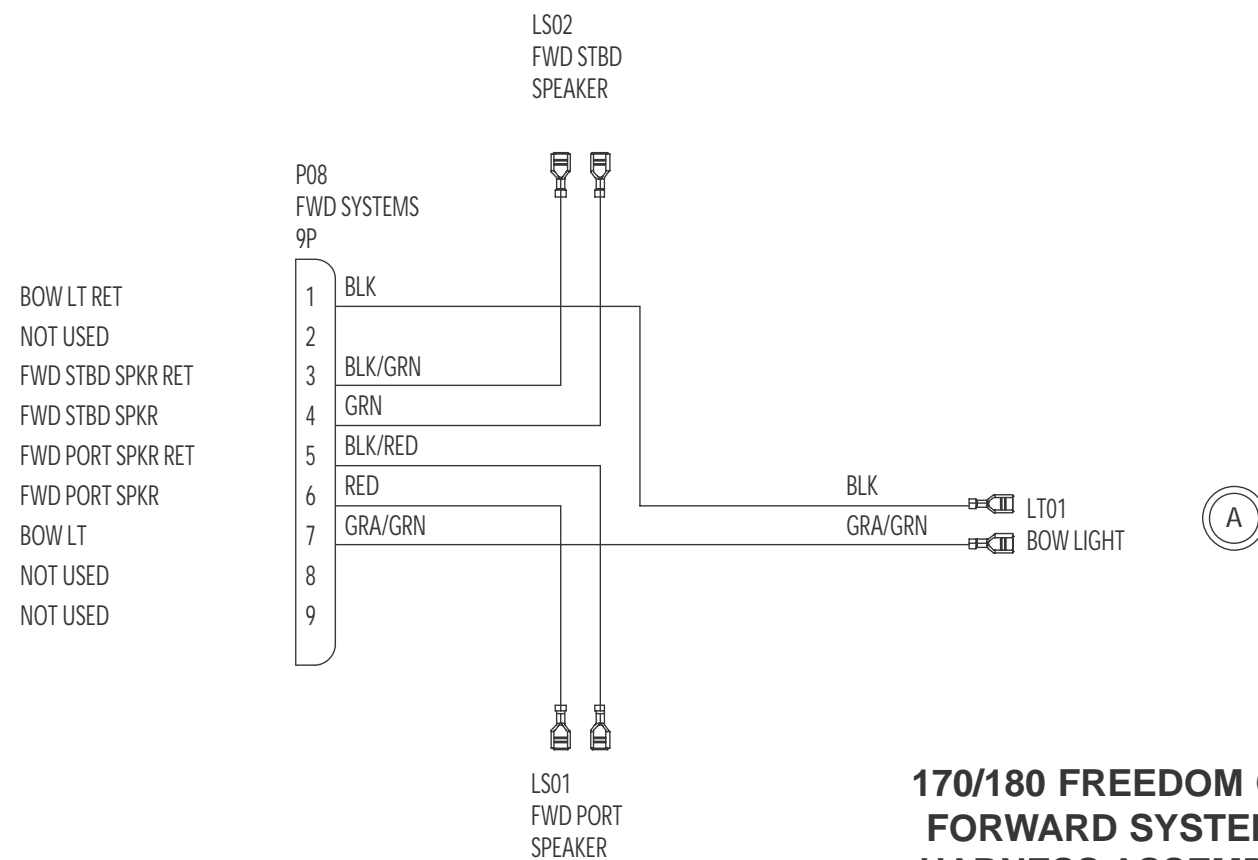
FOUR WINNS WIRE LIST

COLOR	GA	FIRST	PIN	TERM	NOTE	SECOND	PIN	TERM	NOTE	FUNCTION
BLK	16	P08	1	41	BC	LT01	-	02		BOW LT RET
BLK/GRN	16	P08	3	41	BA	LS02	-	02		FWD STBD SPR RET
GRN	16	P08	4	41	BA	LS02	+	02		FWD STBD SPKR
BLK/RED	16	P08	5	41	BB	LS01	-	02		FWD PORT SPKR RET
RED	16	P08	6	41	BB	LS01	+	02		FWD PORT SPKR
GRA/GRN	16	P08	7	41	BC	LT01	+	02		BOW LT



FOUR WINNS PARTS LIST

ITEM	PART NUMBER	QUANTITY	DESCRIPTION	FUNCTION	MANUFACTURER
	028-0177	8	RECEPT,FASTON,.250,18-14	02	AMP
	028-0390	2	PIN,UMNL,18-14	41	AMP
LS01		REF	SPEAKER	FWD PORT SPKR	A
LS02		REF	SPEAKER	FWD STBD SPKR	
LT01		REF	LIGHT, NAV, 2 MILE	NAV LIGHT	
P08	028-0449	1	PLUG,UMNL,9 CKT	FWD SYSTEMS	AMP



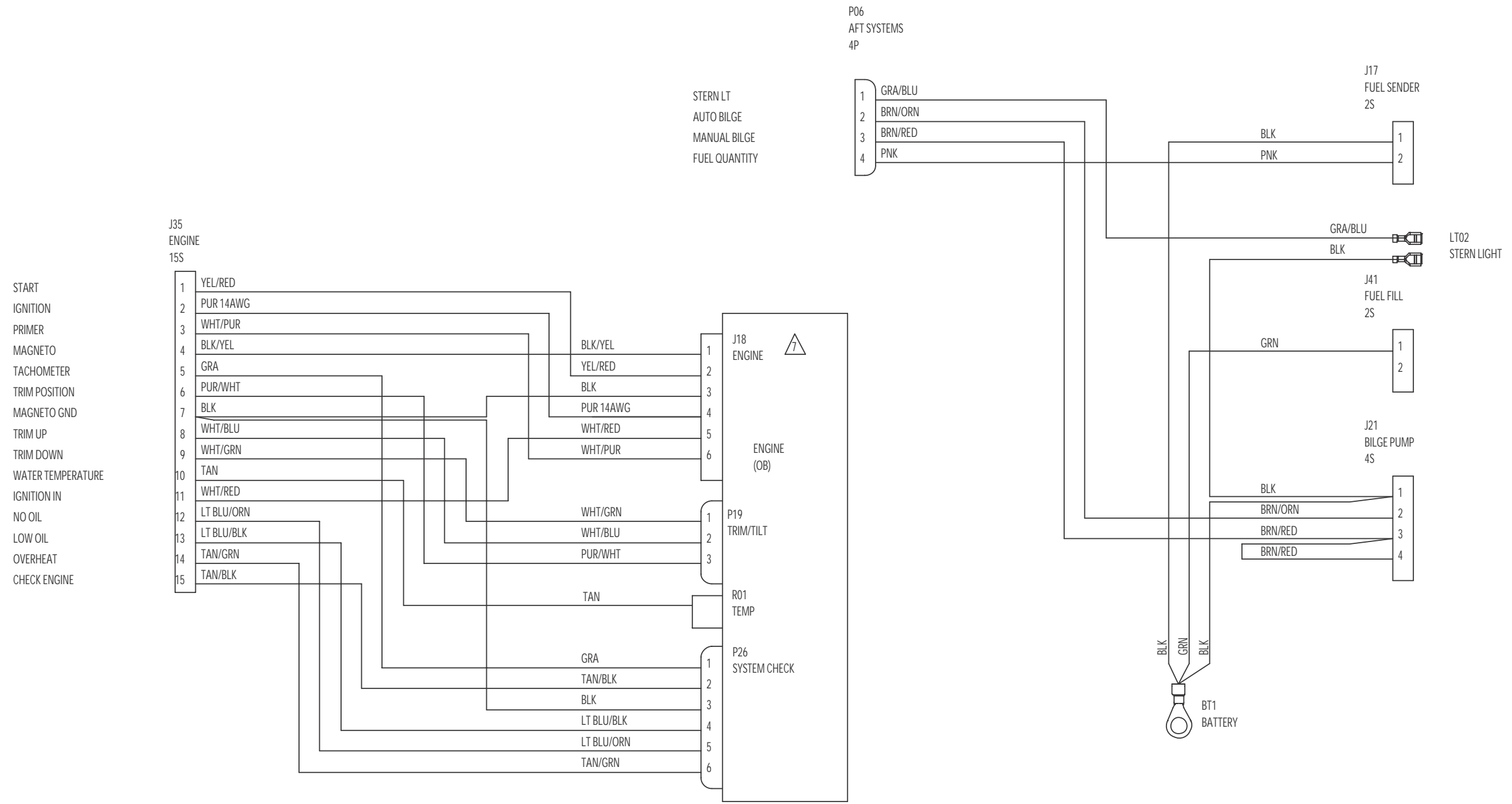
170/180 FREEDOM O/B FORWARD SYSTEMS HARNESS ASSEMBLY



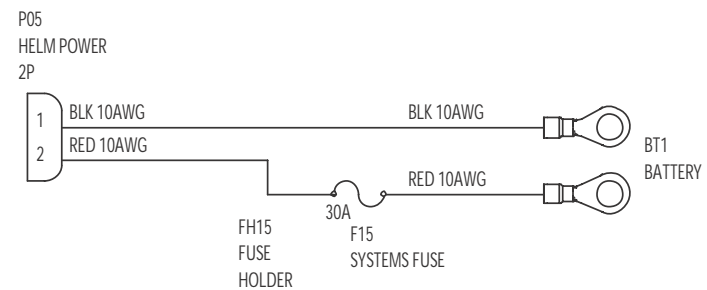
SPEEDOMETER

SPEEDO HOSE

PITOT TUBE



NOT USED
STERN LT





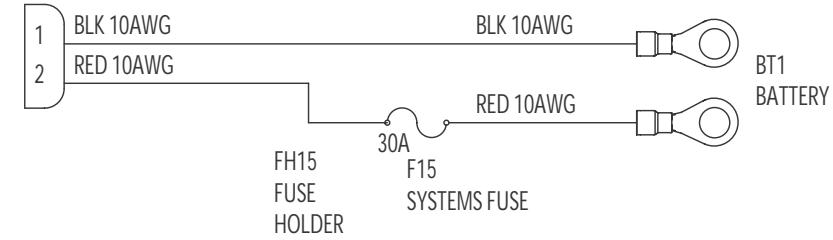
SPEEDOMETER

SPEEDO HOSE

PITOT TUBE

P06
AFT SYSTEMS
4P

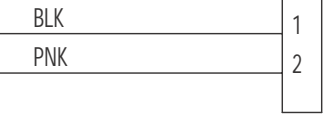
P05
HELM POWER
2P



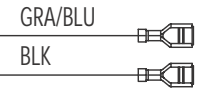
STERN LT
AUTO BILGE
MANUAL BILGE
FUEL QUANTITY



J17
FUEL SENDER
2S



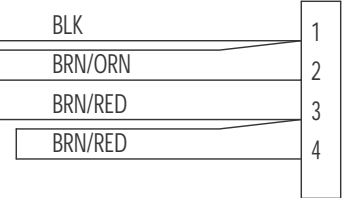
LT02
STERN LIGHT



J41
FUEL FILL
2S

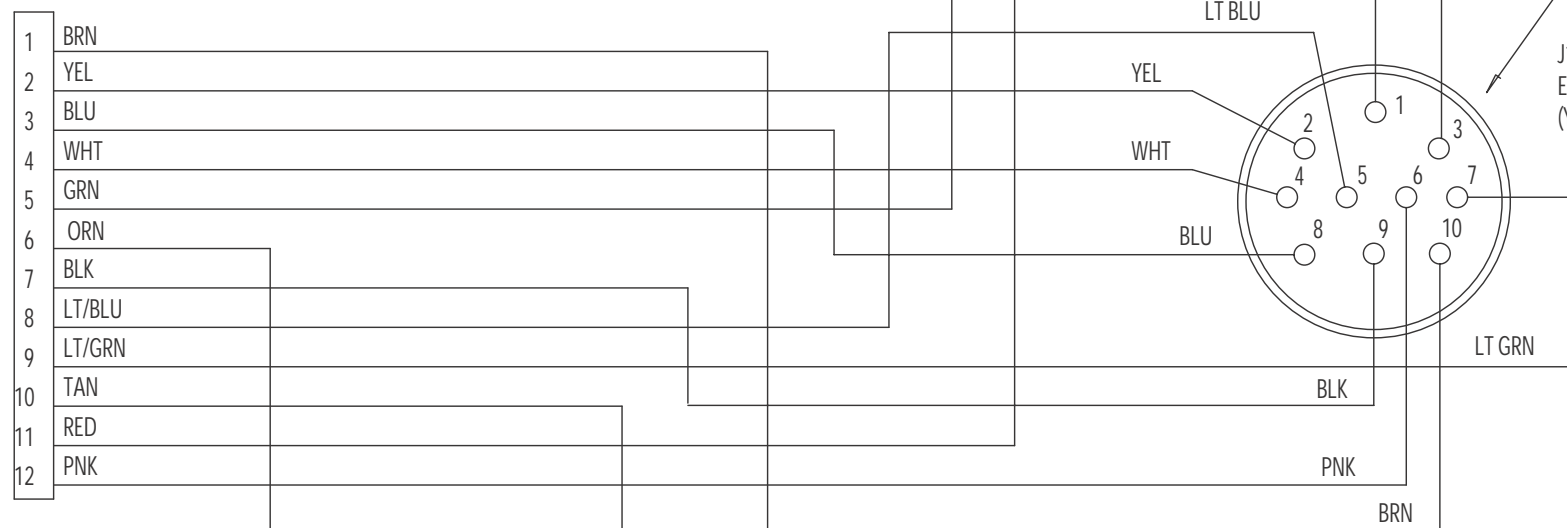


J21
BILGE PUMP
4S

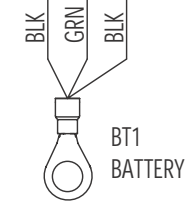


027-2228
YAMAHA O/B ENGINE CABLE
6K1-8258A-40-00

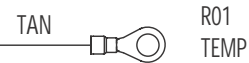
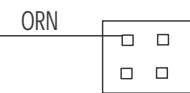
J35
ENGINE
15S



J18
ENGINE
(YAMAHA OB)

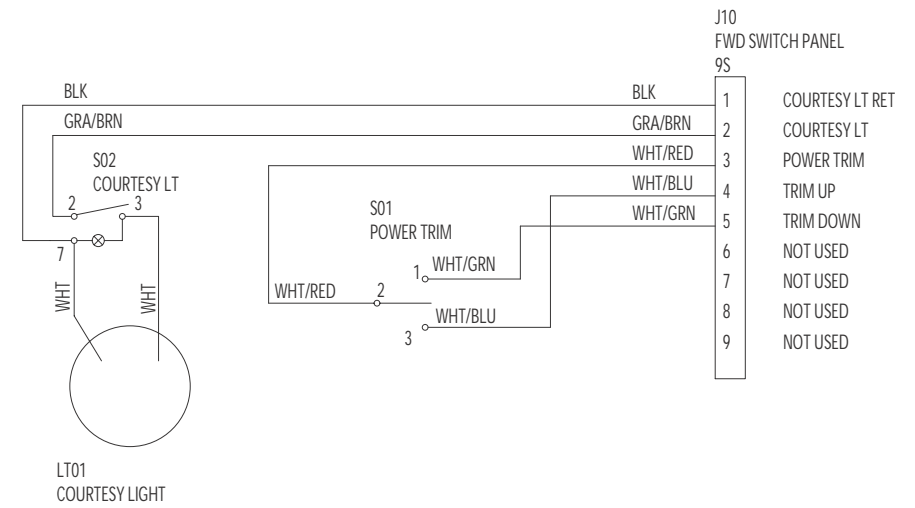
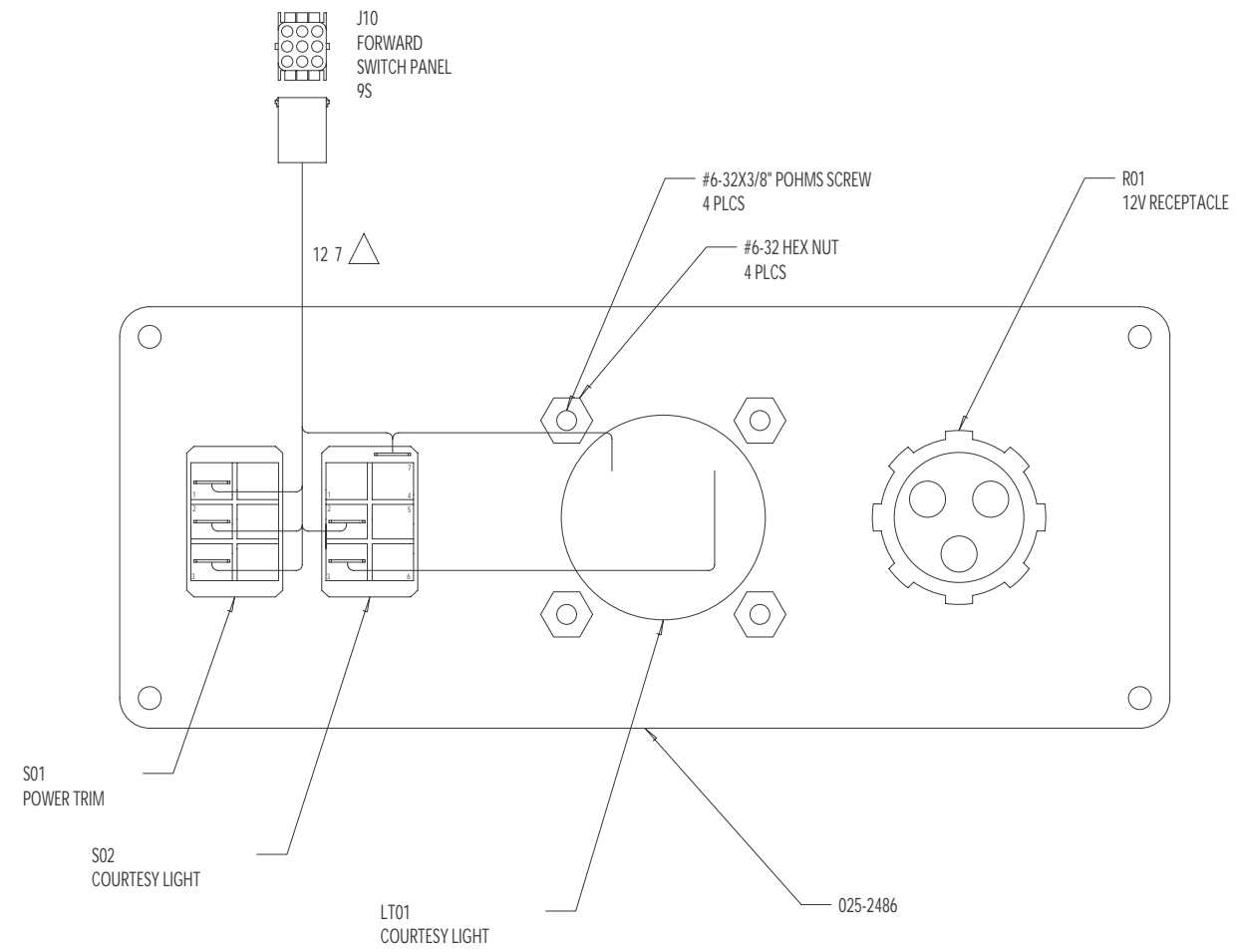


P19
TRIM/TILT



027-2229
YAMAHA TRIM GAUGE CABLE
6R3-82553-80-00

170/180 FREEDOM O/B (YAMAHA) AFT SYSTEMS HARNES ASSEMBLY

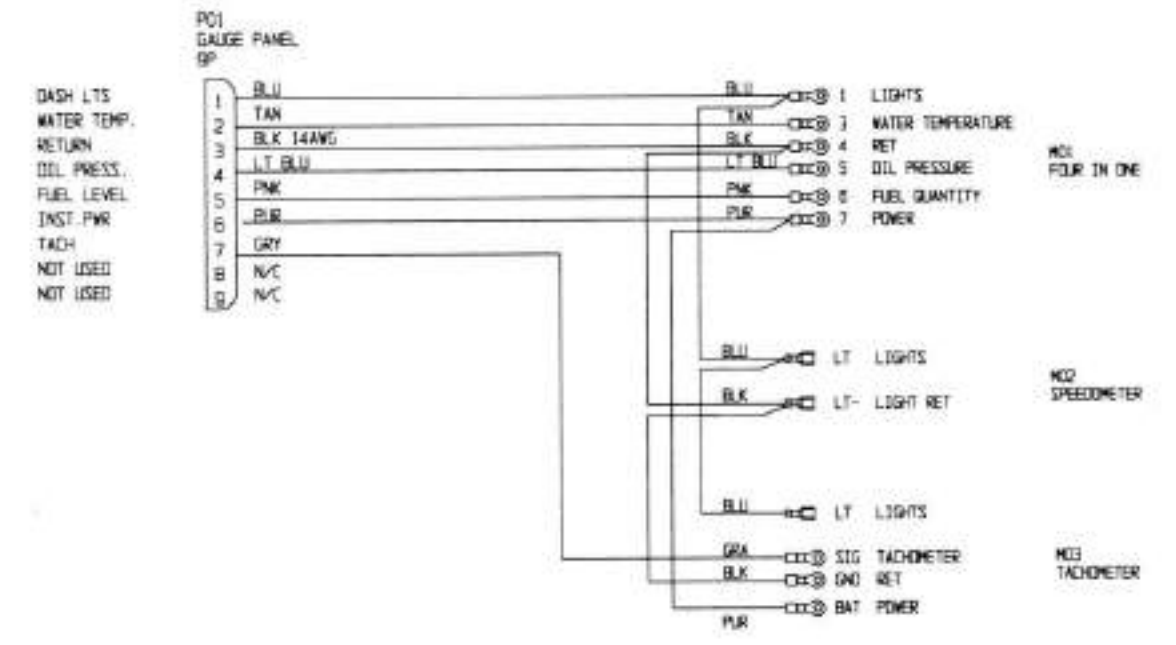
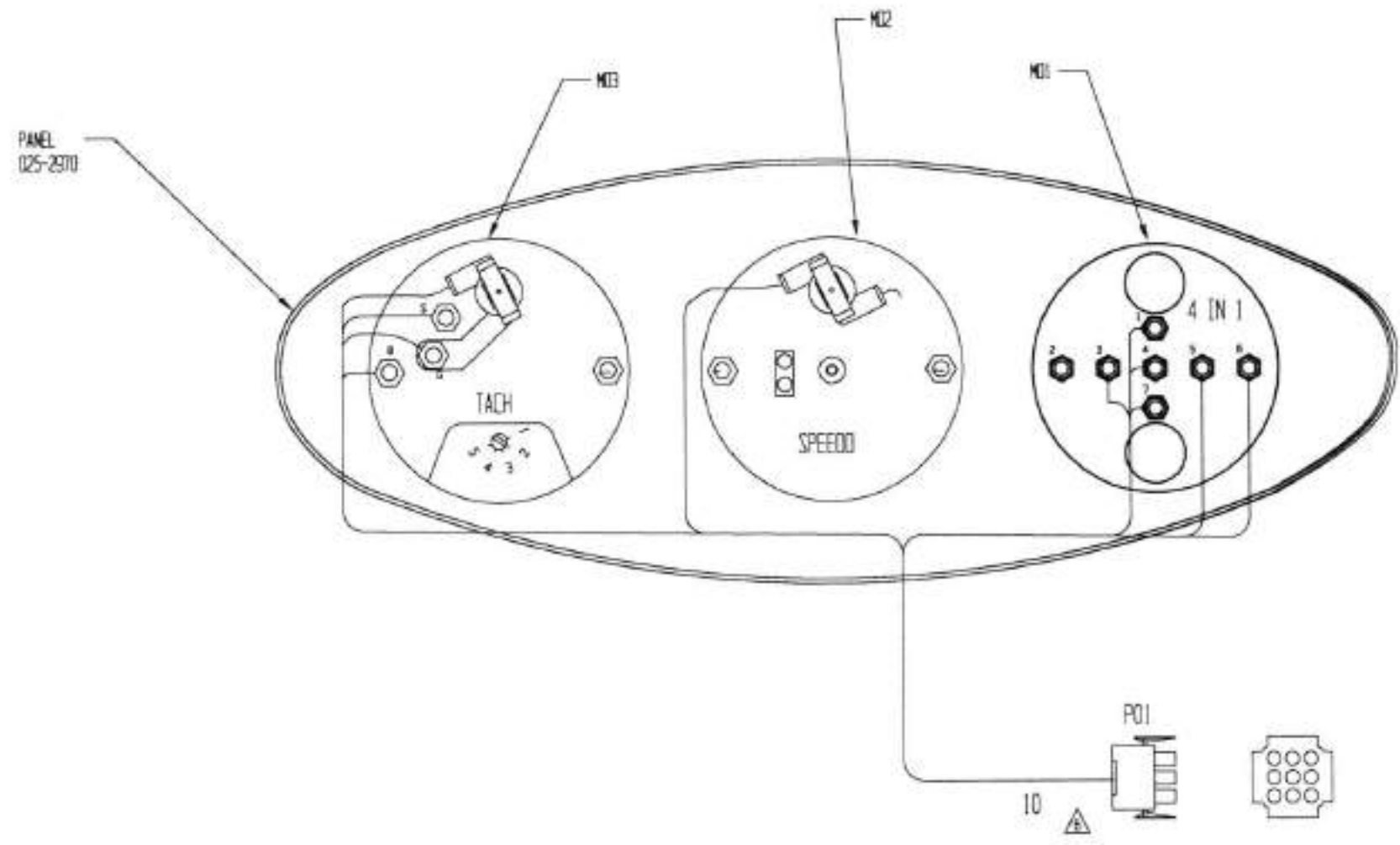


FOUR WINNS PARTS LIST

ITEM	PART NUMBER	QUANTITY	DESCRIPTION	FUNCTION	MANUFACTURER
	028-0177	6	RECEPT,FASTON,250,18-14	02	AMP
	028-0454	5	SOCKET,UMNLL,18-14	42	AMP
	080-0029	4	SCREW,#6-32X3/8" POHMS SS	COURTESY LT	
		4	NUT,#6-32 HEX SS	COURTESY LT	
	025-2486	1	PANEL,BLANK,FISH & SKI 2001		
J10	028-0443	1	RECEPT,UMNLL,9 CKT	FWD SWITCH PANEL	AMP
R01	028-1394	1	RECEPT,12V TROLL MTR 12VBR.OEM	TROLLING MOTOR	MARINCO
S01	028-0469	1	SWITCH,SPDT,(ON)OFF(ON) CONT III	POWER TRIM	CARL SW
S02	028-0457	1	SWITCH,SPST,CONT III	COURTESY LIGHT	CARL SW
LT01	026-0138	1	LIGHT,SQUARE CTSY,7-02CMW	COURTESY LIGHT	BEACON

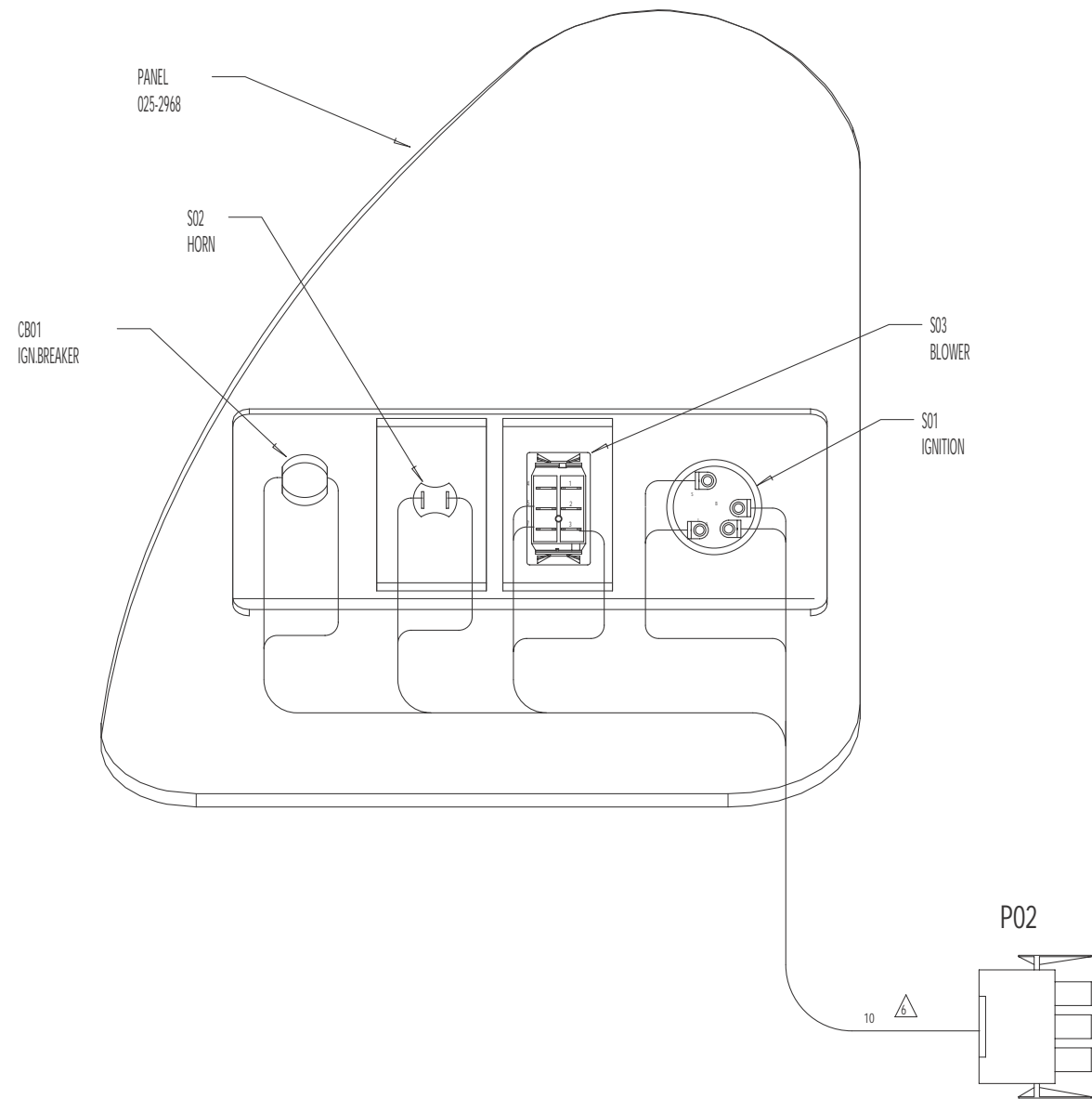
FOUR WINNS WIRE LIST

COLOR	GA	FIRST	PIN	TERM	NOTE	SECOND	PIN	TERM	NOTE	FUNCTION
BLK	16	J10	1	42		S02	7	02		COURTESY LT RET
GRA/BRN	16	J10	2	42		S02	2	02		COURTESY LT
WHT/RED	16	J10	3	42		S01	2	02		POWER TRIM
WHT/BLU	16	J10	4	42		S01	3	02		TRIM UP
WHT/GRN	16	J10	5	42		S01	1	02		TRIM DOWN
WHT	16	LT01	1	51		S02	3	02		LIGHT POWER
WHT	16	LT01	2	51		S02	7	02		LIGHT RET

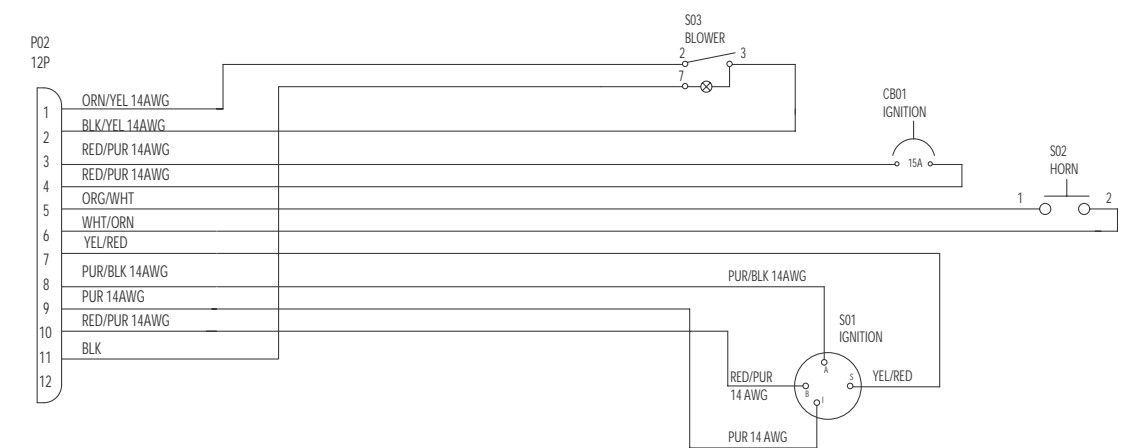


FOUR WINNS PARTS LIST

ITEM	PART NUMBER	QUANTITY	DESCRIPTION	MANUFACTURER	MANUF. PART #
M01	024-0503	1	GAUGE, 4 IN 1	FARIA	G-0096
M02	024-0501	1	GAUGE, SPEED (0-50MPH)	FARIA	SE9390
M03	024-0505	1	GAUGE, TACH (6000RPM)	FARIA	TC9395
PANEL	025-2370	1	BLANK PANEL		
PO1	026-0449	1	PLUG, UMNL, 9 CKT	AMP	1-480706-0
	026-0390	7	PIN, UMNL, 18-14	AMP	350918-3
	026-0189	9	TERM. RING, PG #8, 18-14	AMP	32959
	026-0177	3	RECEPT, FASTON, .250, 18-14	AMP	3-350820-2



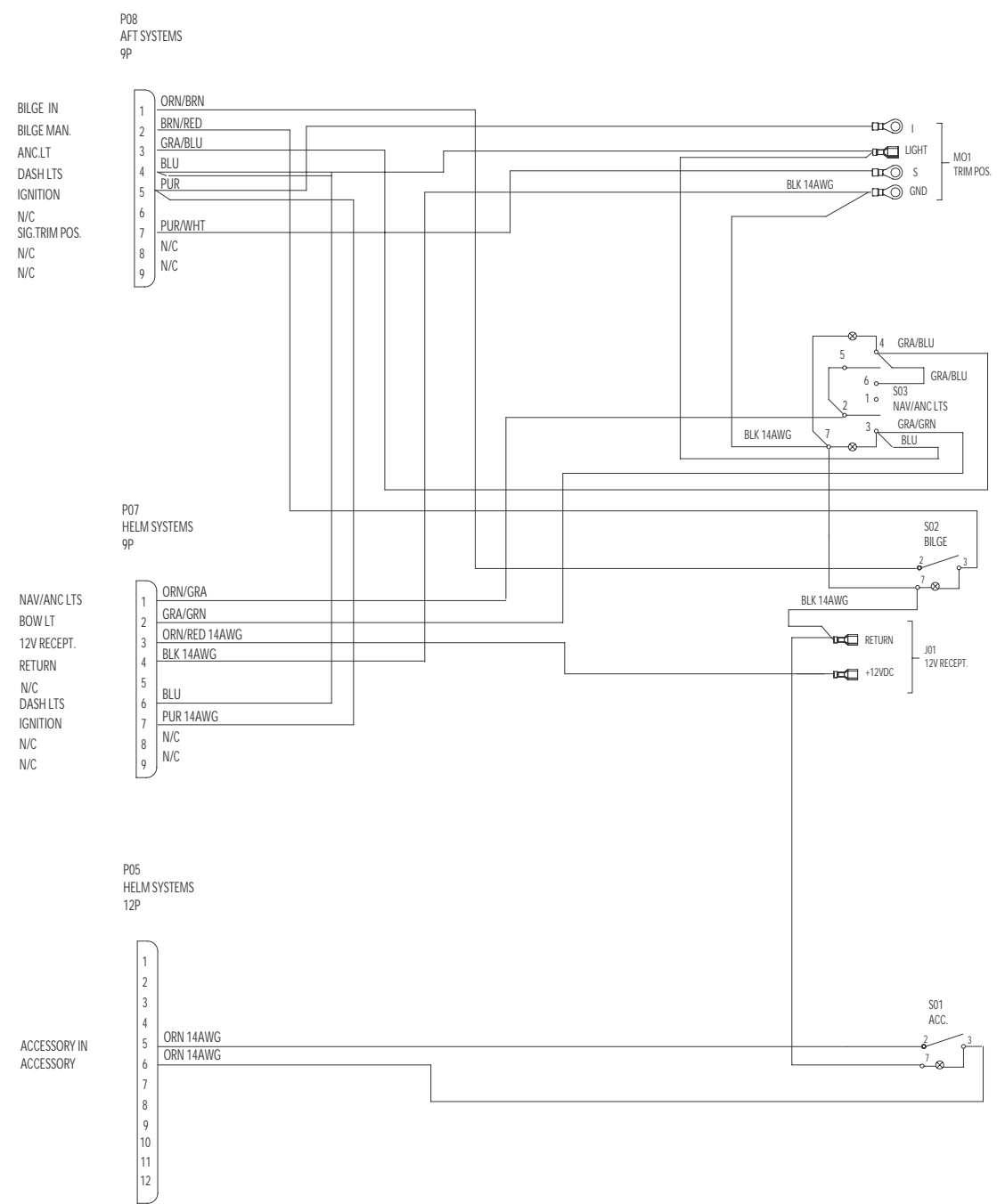
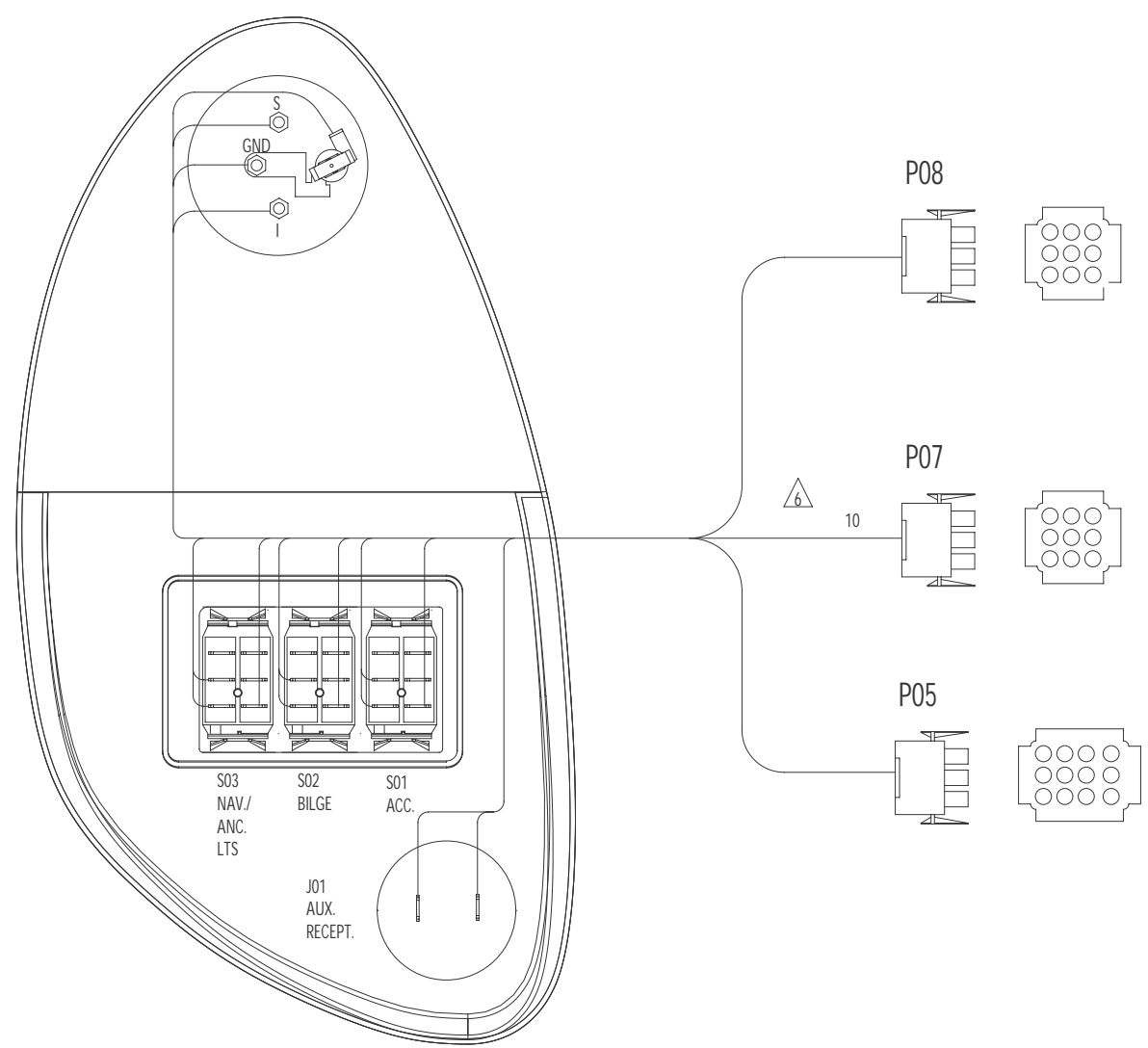
BLOWER IN
 BLOWER
 IGNITION BREAKER IN
 IGNITION BREAKER
 HORN IN
 HORN
 ENG.START
 RADIO
 IGNITION
 IGNITION IN
 RETURN
 NOT USED



FOUR WINNS PARTS LIST

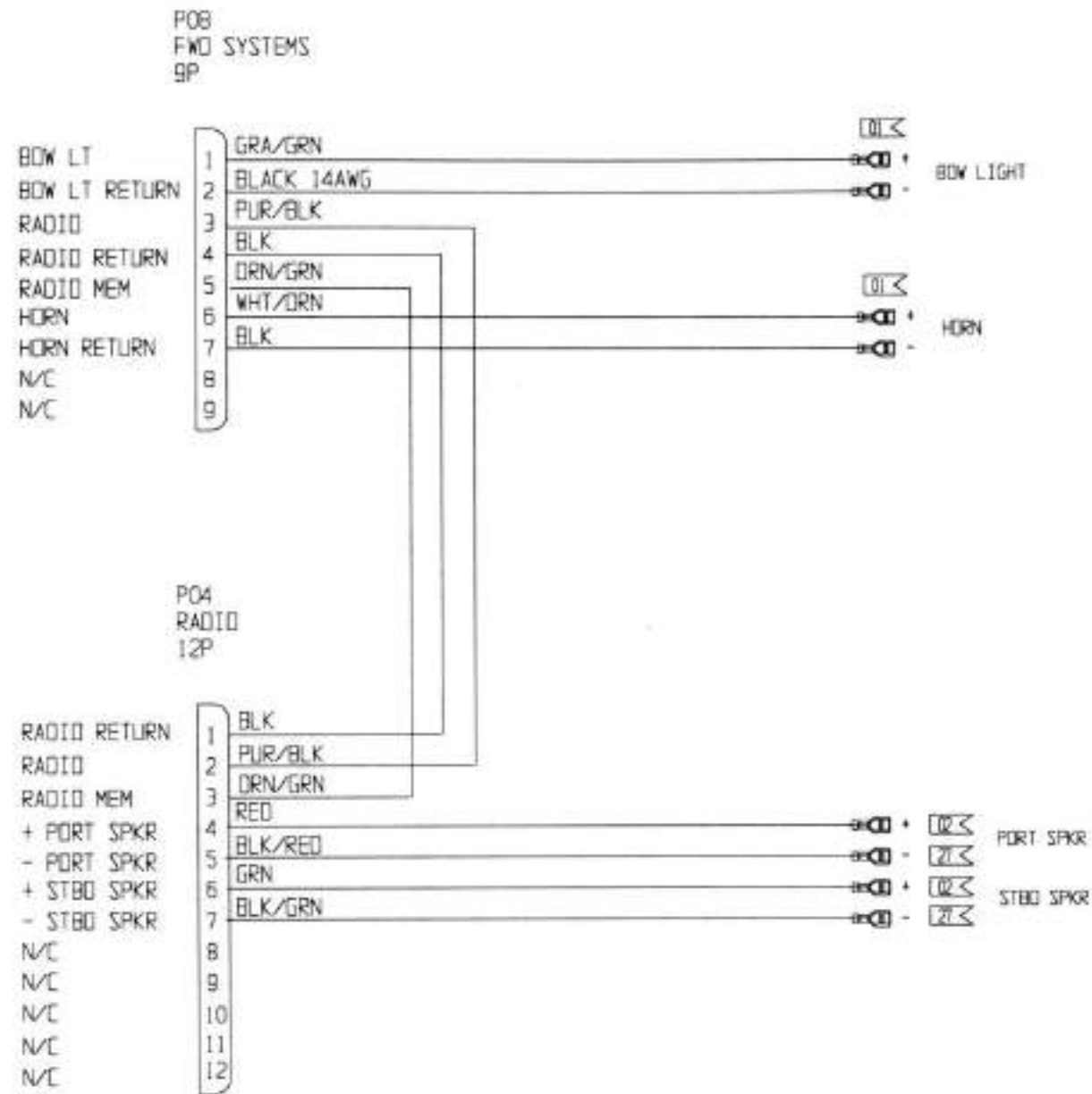
ITEM	PART NUMBER	QUANTITY	DESCRIPTION	MANUFACTURER	MANUF.PART #
PANEL	025-2968	1	PANEL,BLANK,IGN./SW,FLOR,BURL	180HL 03	
SO1	028-1286	1	SWITCH,IGNITION,W/ ACC.	SIERRA	MP39802
SO2	028-0186	1	SWITCH,BUTTON,N.O	DELTA	
P02	028-0451	1	PLUG,UMNL,12 CKTS	AMP	1-480708-0
-	028-0390	11	PIN,UMNL,18-14	AMP	350918-3
-	028-0178	7	RECEPT,FASTON,UF,250,16-14	AMP	3-350820-2
CB01	028-0467	1	BREAKER,15A,THERMAL	MP	
S03	028-0457	1	SWITCH,SPST,CONT.III	CARLSW	V1D1B608-CM200

180 HORIZON I/O IGNITION SWITCH PANEL ASSEMBLY



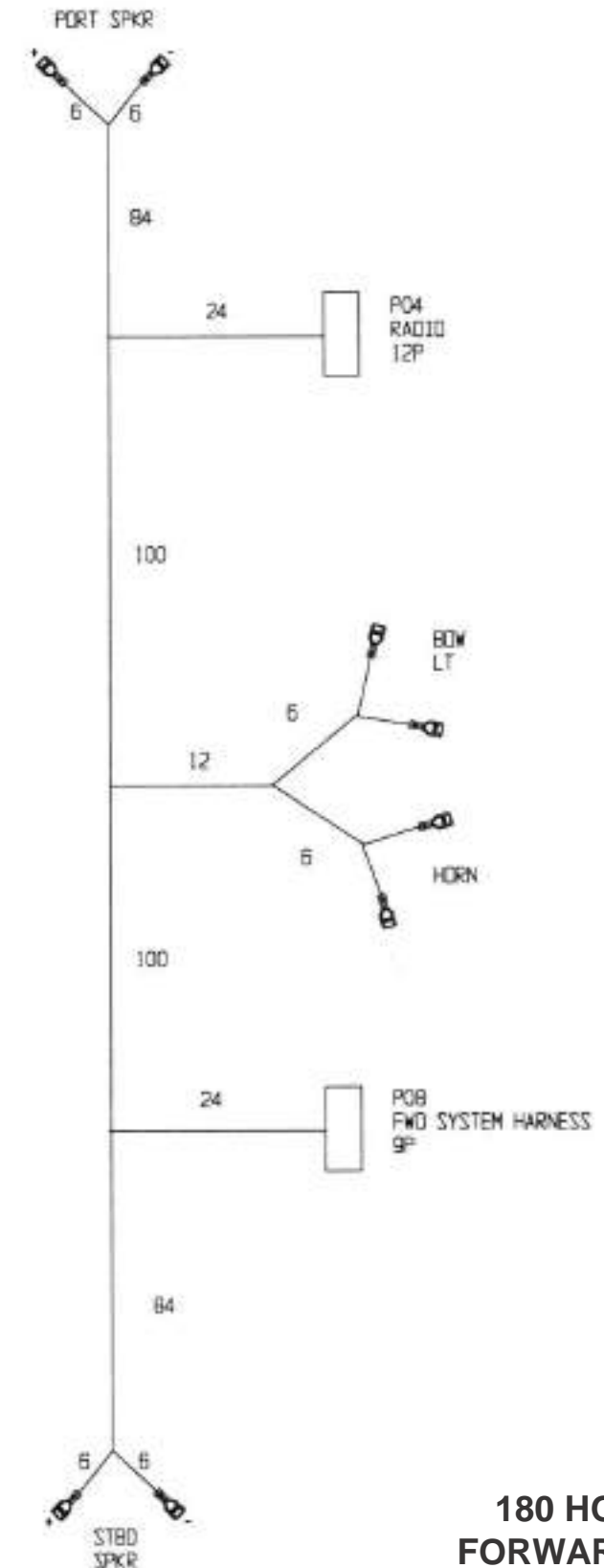
FOUR WINNS PARTS LIST

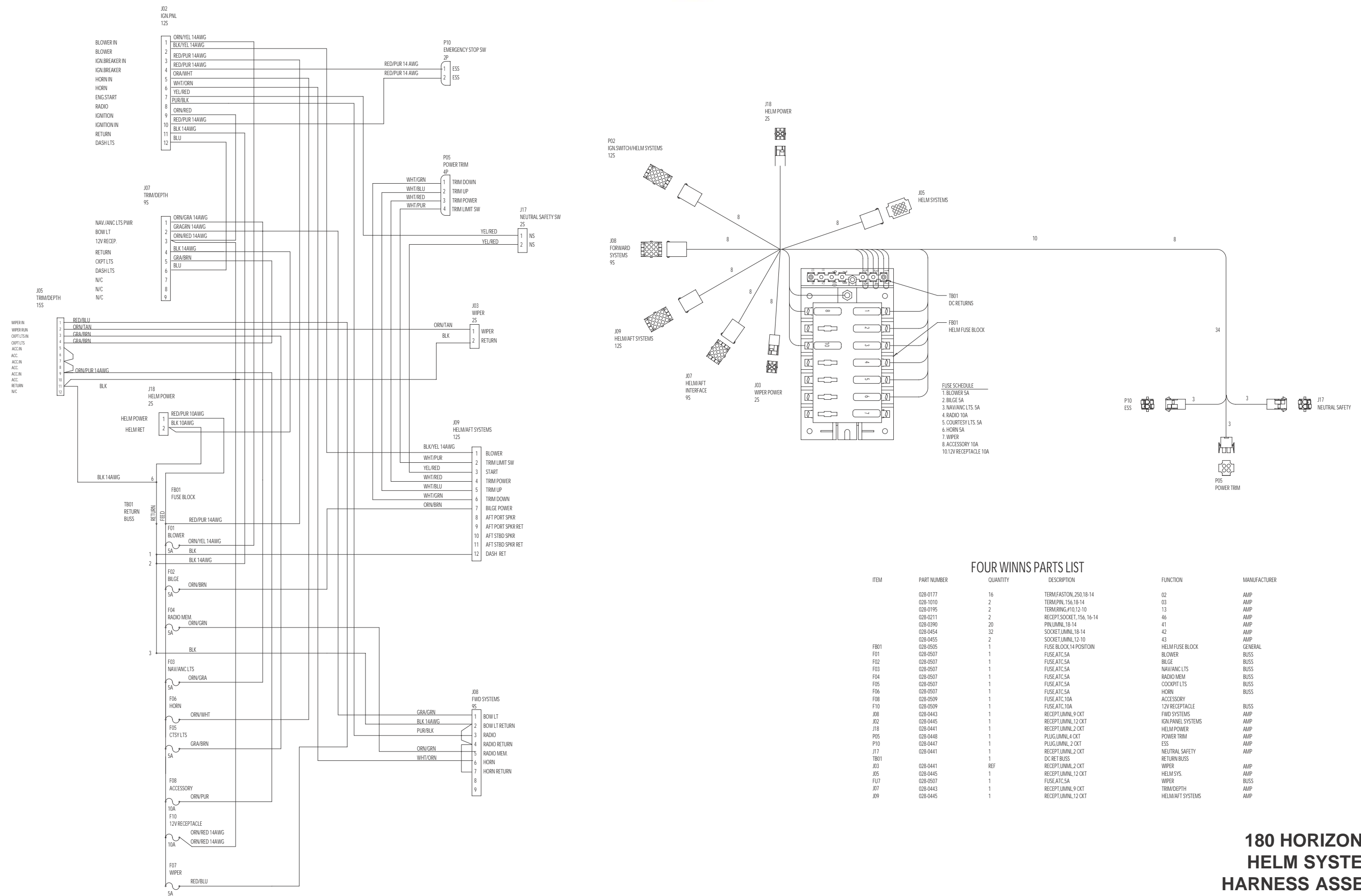
ITEM	PART NUMBER	QUANTITY	DESCRIPTION	MANUFACTURER	MANUF.PART #
MO1	024-0508	1	GAUGE,TRIM	FARIA	GP7590
S01,2	028-0457	2	SWITCH,SPST,CONT III	CARL SW	V1D1B60B-CMB00
S03	028-0504	1	SWITCH,DPDT,CONT,III	CARL SW	VJD1D66B-CN800
P05	028-0451	1	PLUG,UMNL,12 CKT	AMP	1-480708-0
-	028-0390	13	PIN,UMNL,18-14	AMP	350918-3
PANEL	025-2989	1	PANEL,BLANK		
-	028-0189	3	TERMINAL,RING,PG.#8,16-14	AMP	32959
-	028-0177	15	RECEPT,FASTON,U.F.,250,16-14	AMP	3-350820-2
J01	028-1100	1	RECEPTACLE,12V	AFI	12VACOEM
P07,8	028-0449	2	PLUG,UMNL,9 CKT	AMP	1-480706-0



FOUR WINNS PARTS LIST

ITEM	PART NUMBER	QUANTITY	DESCRIPTION	MANUFACTURER
POB	028-0449	1	PLUG, UMNL, 9 CKT	AMP
PO4	028-0451	1	PLUG, UMNL, 12 CKT	AMP
-	028-0178	4	RECEPT, FASTON, .250, 18-14	AMP
-	028-0112	2	RECEPT, FASTON, .110, 18-14	AMP
-	028-0177	2	RECEPT, FASTON, .250, 18-14	AMP
-	028-0390	7	PIN, UMNL, 18-14	AMP
-	028-0454	7	SOCKET, UMNL, 18-14	AMP

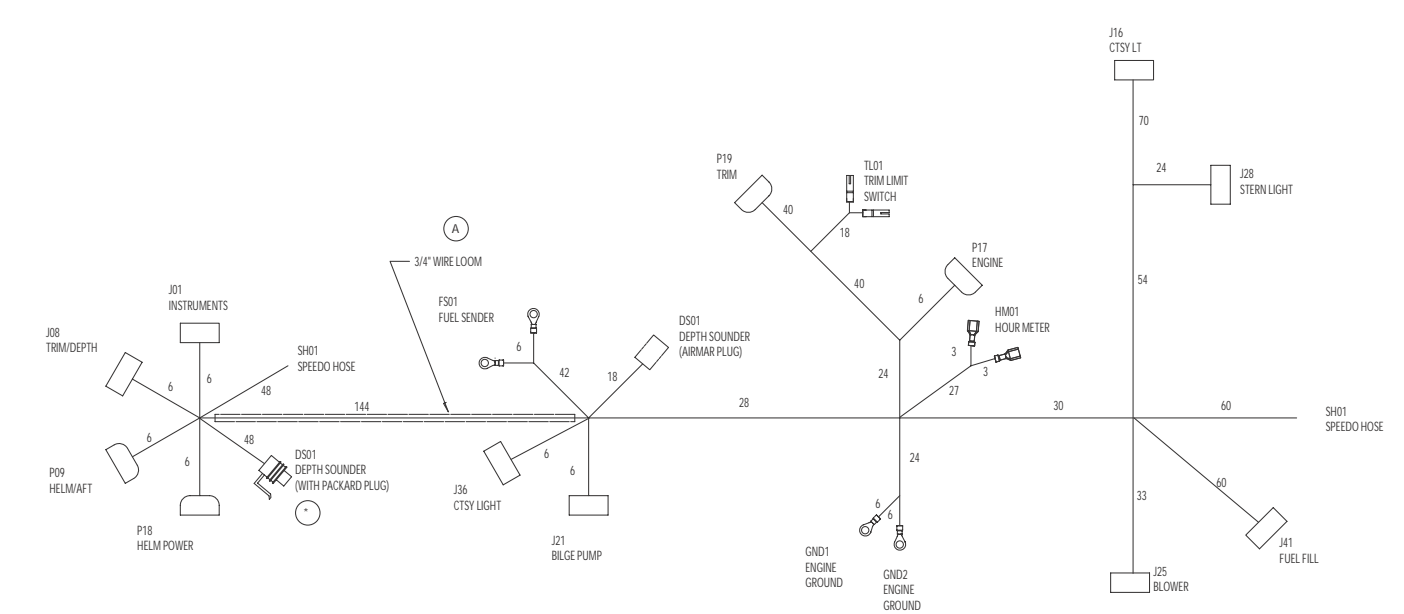
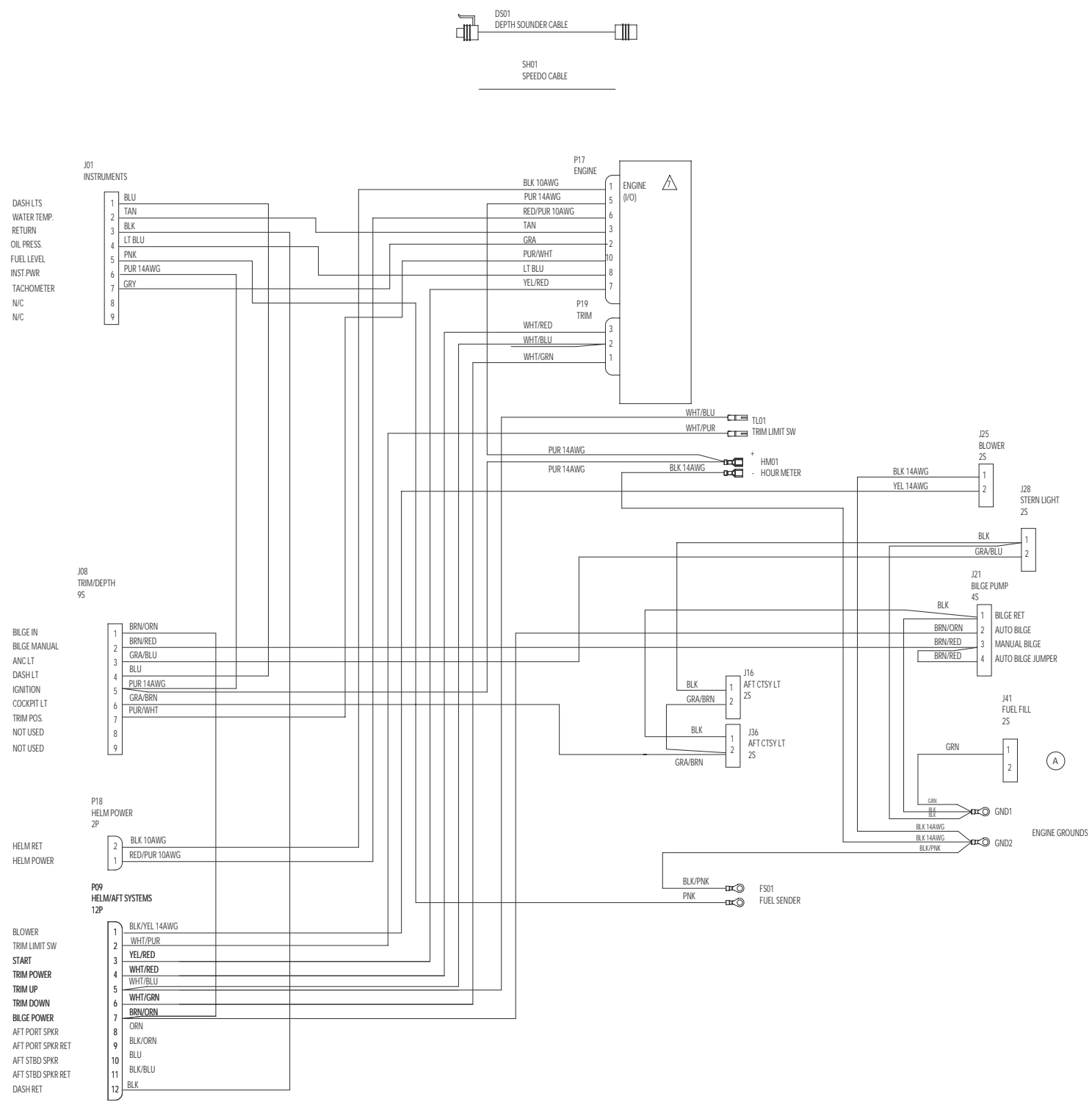




FOUR WINNS PARTS LIST

ITEM	PART NUMBER	QUANTITY	DESCRIPTION	FUNCTION	MANUFACTURER
	028-0177	16	TERM.FASTON, 250,18-14	02	AMP
	028-1010	2	TERM.PIN,156,18-14	03	AMP
	028-0195	2	TERM.RING,#10,12-10	13	AMP
	028-0211	2	RECEPT.SOCKET,156,16-14	46	AMP
	028-0390	20	PIN.UMLNL,18-14	41	AMP
	028-0454	32	SOCKET.UMLNL,18-14	42	AMP
	028-0455	2	SOCKET.UMLNL,12-10	43	AMP
F801	028-0505	1	FUSE.BLOCK,14 POSITION	HELM FUSE BLOCK	GENERAL
F01	028-0507	1	FUSE.ATC.5A	BLOWER	BUSS
F02	028-0507	1	FUSE.ATC.5A	BILGE	BUSS
F03	028-0507	1	FUSE.ATC.5A	NAV/ANC LTS	BUSS
F04	028-0507	1	FUSE.ATC.5A	RADIO MEM	BUSS
F05	028-0507	1	FUSE.ATC.5A	COCKPIT LTS	BUSS
F06	028-0507	1	FUSE.ATC.5A	HORN	BUSS
F08	028-0509	1	FUSE.ATC.10A	ACCESSORY	BUSS
F10	028-0509	1	FUSE.ATC.10A	12V RECEPTACLE	BUSS
J08	028-0443	1	RECEPT.UMLNL,9 CXT	FWD SYSTEMS	AMP
J02	028-0445	1	RECEPT.UMLNL,12 CXT	IGN PANEL SYSTEMS	AMP
J18	028-0441	1	RECEPT.UMLNL,2 CXT	HELM POWER	AMP
P05	028-0448	1	PLUG.UMLNL,4 CXT	POWER TRIM	AMP
P10	028-0447	1	PLUG.UMLNL,2 CXT	ESS	AMP
J17	028-0441	1	RECEPT.UMLNL,2 CXT	NEUTRAL SAFETY	AMP
TB01	028-0441	1	DC RET BUSS	RETURN BUSS	AMP
J03	028-0441	REF	RECEPT.UMLNL,2 CXT	WIPER	AMP
J05	028-0445	1	RECEPT.UMLNL,12 CXT	HELM SYS.	AMP
FU7	028-0507	1	FUSE.ATC.5A	WIPER	BUSS
J07	028-0443	1	RECEPT.UMLNL,9 CXT	TRIM/DEPTH	AMP
J09	028-0445	1	RECEPT.UMLNL,12 CXT	HELM/AFT SYSTEMS	AMP

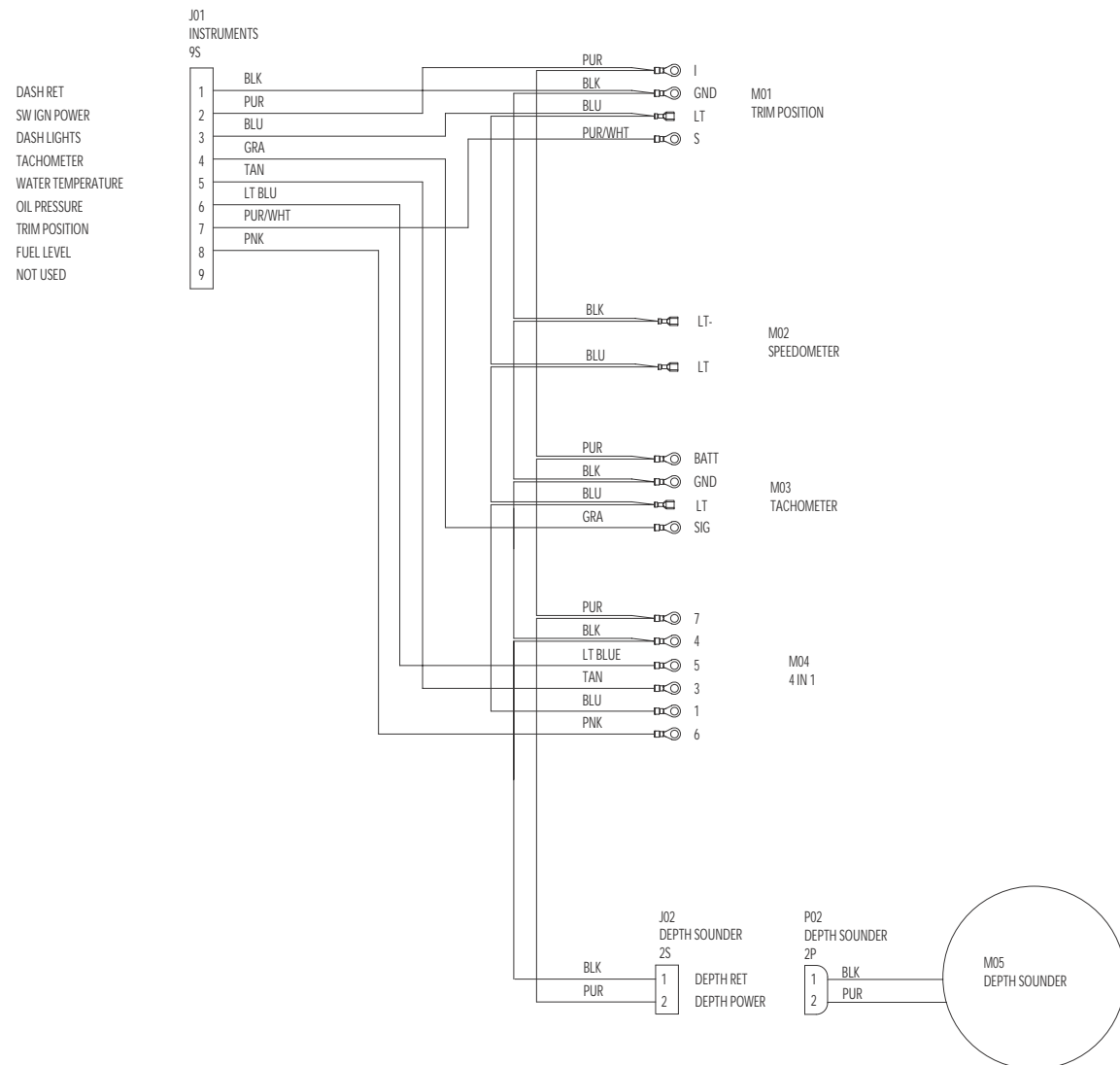
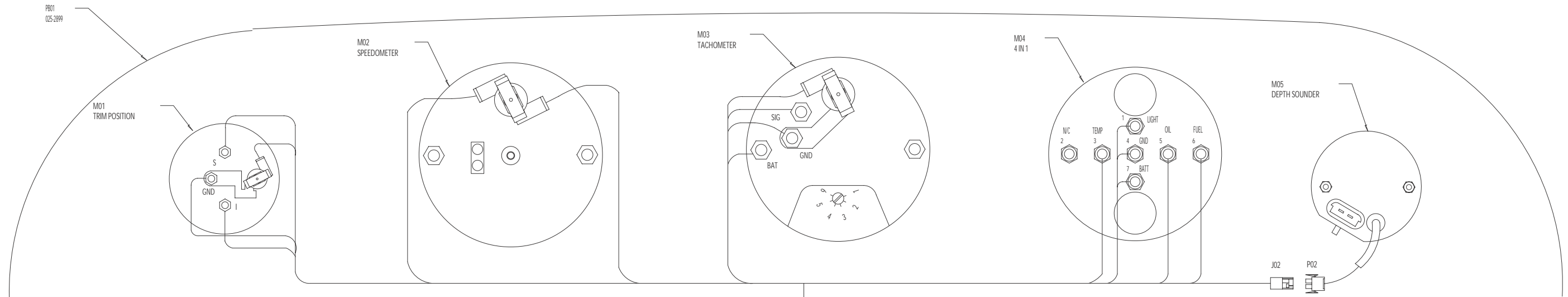
180 HORIZON I/O HELM SYSTEMS HARNES ASSEMBLY



FOUR WINNS PARTS LIST

ITEM	PART NUMBER	QUANTITY	DESCRIPTION	FUNCTION	MANUFACTURER	
	028-0112	1	TERM.FASTON_250,16-14	02	AMP	
	028-0191	1	TERM.RING.#10,16-14	09	AMP	
	028-0197	2	TERM.RING.3/8,12-10	15	AMP	
	028-0356	1	TERM.RING.#6,16-14	22	AMP	
	028-0453	2	PIN,UJMNIL,12-10	40	AMP	
	028-0390	8	PIN,UJMNIL,18-14	41	AMP	
	028-0454	27	SOCKET,UJMNIL,18-14	42	AMP	
	028-0211	2	RECEPT.SOCKET,156,16-14	46	AMP	
	TL01	REF.	TRIM LIMIT SWITCH		MERC	
	SH01	024-0073	310"		NEW AGE	
	DS01	027-1488	1	CABLE,20' TRANSDUCER 33-064-01	AIRMAR	
	FS01	REF.	FUEL SENDER	FUEL SENDER		
	ENG GND1	REF.	ENGINE GROUND	ENGINE GROUND		
	ENG GND2	REF.	ENGINE GROUND	ENGINE GROUND		
	J08	028-0443	1	RECEPT,UJMNIL,9 CKT	TRIM/DEPTH	AMP
	J16	028-0441	1	RECEPT,UJMNIL,2 CKT	AFT CTSY LT	AMP
	J36	028-0441	1	RECEPT,UJMNIL,2 CKT	AFT CTSY LT	AMP
	J21	028-0442	1	RECEPT,UJMNIL,4 CKT	BILGE PUMP	AMP
	J25	028-0441	1	RECEPT,UJMNIL,2 CKT	BLOWER	AMP
	J28	028-0441	1	RECEPT,UJMNIL,2 CKT	STERN LIGHT	AMP
	J41	028-0441	1	RECEPT,UJMNIL,2 CKT	FUEL FILL	AMP
	LS03	REF.	SPEAKER	PORT AFT SPKR		
	LS04	REF.	SPEAKER	STBD AFT SPKR		
	J01	028-0443	1	RECEPT,UJMNIL,9 CKT	INSTRUMENTS	AMP
	P09	028-0451	1	PLUG,UJMNIL,12 CKT	HELM/AFT SYSTEMS	AMP
	P17	REF.	PLUG.ENGINE I/O	ENGINE	AMP	
	P18	028-0447	1	PLUG,UJMNIL,2 CKT	HELM POWER	
	P19	REF.	PLUG.TRIM/TILT	TRIM/TILT	AMP	
	HM01	REF.	HOUR METER	HOUR METER		
		144"	3/4" WIRE LOOM,# 8140B		LAVENTURE	

180 HORIZON I/O AFT SYSTEMS HARNES ASSEMBLY



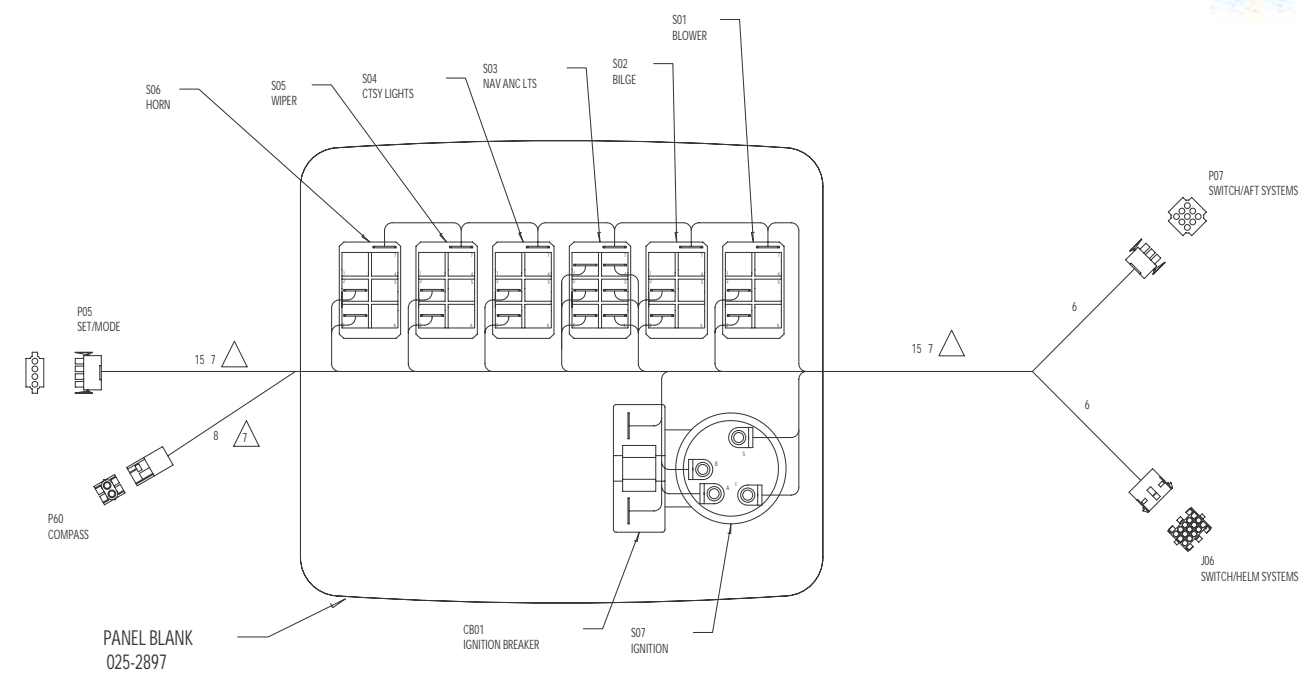
FOUR WINNS PARTS LIST

ITEM	PART NUMBER	QUANTITY	DESCRIPTION	FUNCTION	MANUFACTURER
	028-0177	4	RECEPTACLE,FASTON, 250,16-14	02	AMP
	028-0189	13	TERMINAL,RING,PG.#8, 16-14	08	AMP
	028-0390	2	PIN,UMNL,18-14	41	AMP
	028-0454	10	SOCKET,UMNL,18-14	42	AMP
PB01	025-2899	1	PANEL,BLANK,INSTR,BURL	-	-
J01	028-0443	1	RECEPT,UMNL, 9 CKT	INSTRUMENTS	AMP
J02	028-0441	1	RECEPT,UMNL, 2 CKT	DEPTH	AMP
P02	028-0447	1	PLUG, UMNL, 2 CKT	DEPTH	AMP
M01	024-0508	1	TRIM POSITION GAUGE	-	FARIA
M02	024-0501	1	SPEEDOMETER	-	FARIA
M03	024-0505	1	TACHOMETER	-	FARIA
M04	024-0503	1	4 IN 1	-	FARIA
M05	028-1748	1	DEPTH GAUGE	-	FARIA

FOUR WINNS WIRE LIST

COLOR	GA	FIRST	PIN	TERM	NOTE	SECOND	PIN	TERM	NOTE	FUNCTION
PUR	16	J01	2	42	-	M01	1	08	SA	TRIM GA POWER
PUR	16	M01	1	08	SA	M03	BAT	08	SB	TACH POWER
PUR	16	M03	BAT	08	SB	M04	7	08	SC	4 IN 1 POWER
PUR	16	M04	7	08	SC	J02	2	42	-	DEPTH POWER
BLK	16	J01	1	42	-	M01	GND	08	SG	TRIM GA GND
BLK	16	M01	GND	08	SG	M02	LT-	02	SH	SPEEDO LT GND
BLK	16	M02	LT-	02	SH	M03	GND	08	SI	TACHOMETER GND
BLK	16	M03	GND	08	SI	M04	4	08	SJ	4 IN 1 GND
BLK	16	M04	4	08	SJ	J02	1	42	-	DEPTH GAUGE GND
BLU	16	J01	3	42	-	M01	LT	02	SN	TRIM GA LIGHT
BLU	16	M01	LT	02	SN	M02	LT	02	SO	SPEEDO LT
BLU	16	M02	LT	02	SO	M03	LT	02	SP	TACHOMETER LT
BLU	16	M03	LT	02	SP	M04	LT	08	-	4 IN 1 LT
GRA	16	J01	4	42	-	M03	S	08	-	TACHOMETER SIGNAL
TAN	16	J01	5	42	-	M04	3	08	-	WATER TEMP SIGNAL
LT BLU	16	J01	6	42	-	M04	5	08	-	OIL PRESS SIGNAL
PUR/WHT	16	J01	7	42	-	M01	S	08	-	TRIM GA SIGNAL
PNK	16	J01	8	42	-	M04	6	08	-	FUEL GA SIGNAL

190-200 HORIZON INSTRUMENTATION PANEL ASSEMBLY

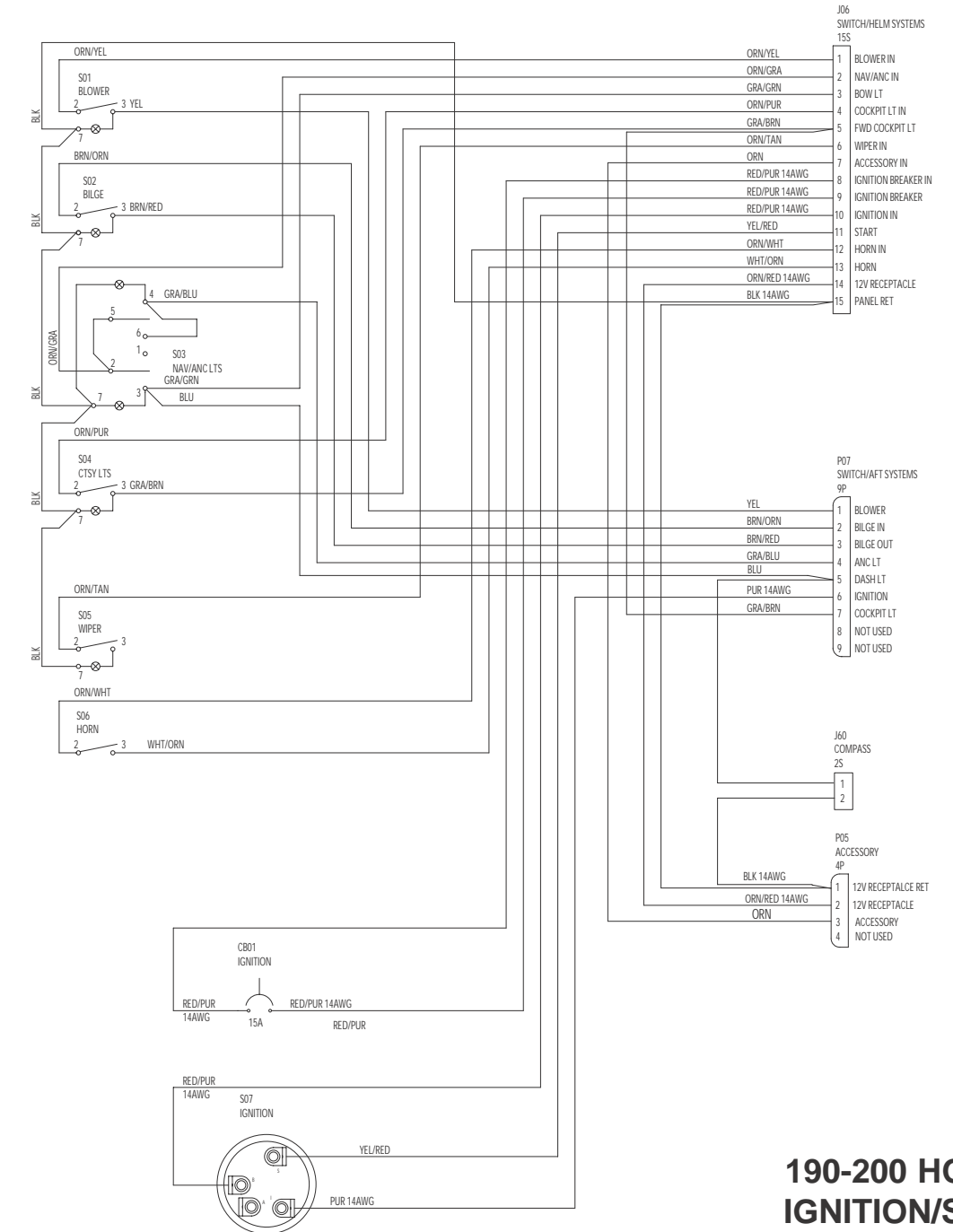


FOUR WINNS WIRE LIST

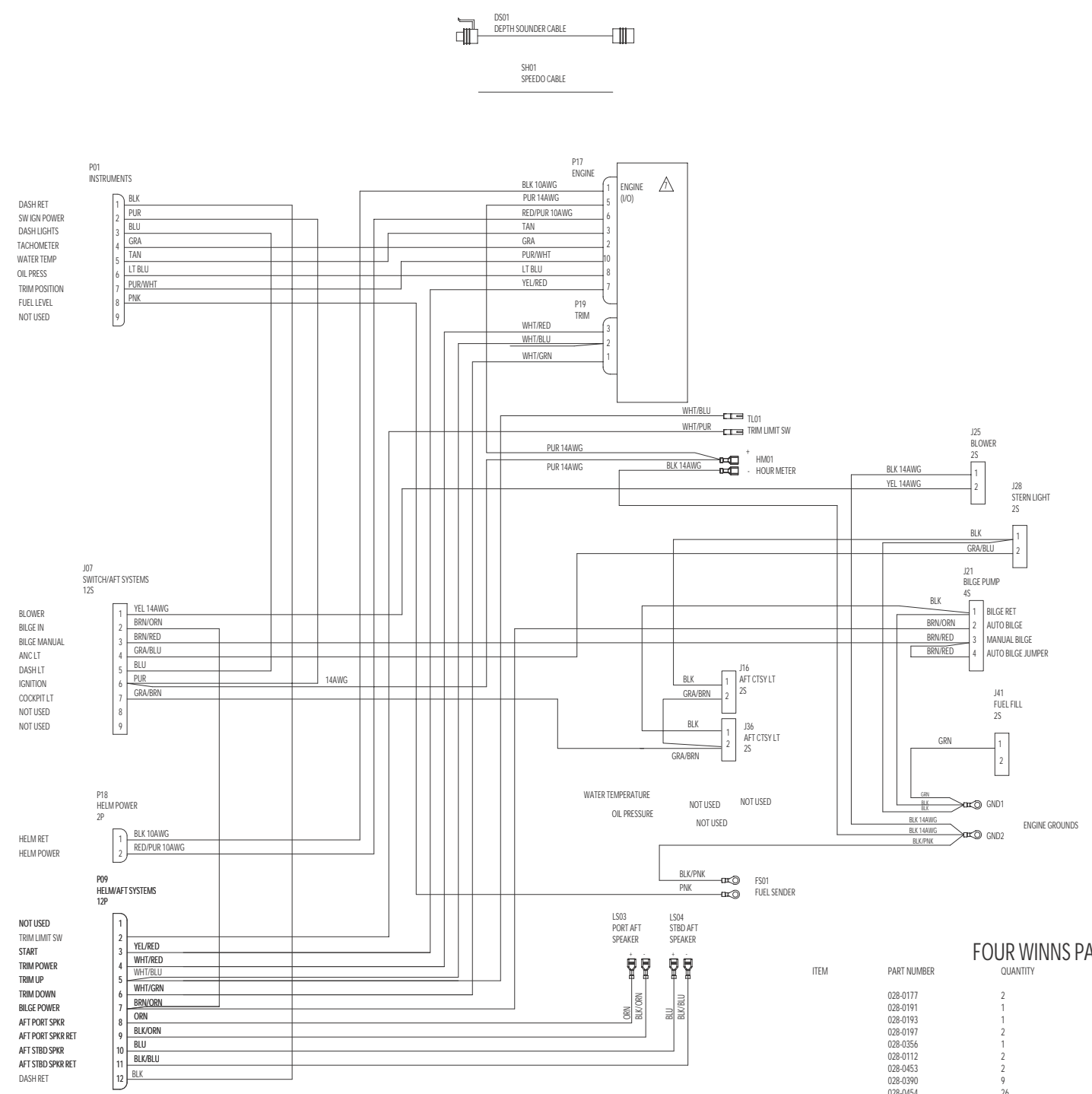
COLOR	GA	FIRST	PIN	TERM	NOTE	SECOND	PIN	TERM	NOTE	FUNCTION
ORN/YEL	16	J06	1	42		S01	2	02		BLOWER IN
ORN/GRN	16	J06	2	42		S03	2	02	SC	NAV/ANC IN
GRA/GRN	16	J06	3	42		S03	3	02	SD	BOW LT
ORN/PUR	16	J06	4	42		S04	2	02		COCKPIT LT IN
GRA/BRN	16	J06	5	42	SA	S04	3	02		FWD COCKPIT LT
GRA/BRN	16	J06	5	42	SA	P07	7	41		COCKPIT LT
ORN/TAN	16	J06	6	42		S05	2	02		WIPER IN
ORN	16	J06	7	42		P05	3	41		ACCESSORY IN
RED/PUR	14	J06	8	42		CB01	LINE	02		IGNITION BREAKER IN
RED/PUR	14	J06	9	42		CB01	LOAD	02	SK	IGNITION BREAKER
RED/PUR	14	J06	10	42		S07	8	02		IGNITION IN
YEL/RED	16	J06	11	42		S07	5	02		START
ORN/WHT	16	J06	12	42		S06	2	02		HORN IN
WHT/ORN	16	J06	13	42		S06	3	02		HORN
ORN/RED	14	J06	14	42		P05	2	41		12V RECEPTACLE
BLK	14	J06	15	42	SB	P05	1	41	SN	12V RECEPTACLE RET
BLK	16	J06	15	42	SB	S01	7	02	SE	SWITCH LT RET
YEL	16	P07	1	41		S01	3	02		BLOWER
BRN/ORN	16	P07	2	41		S02	2	02		BILGE IN
BRN/RED	16	P07	3	41		S02	3	02		BILGE OUT
GRA/BLU	16	P07	4	41		S03	4	02	SJ	ANC LT
BLU	16	P07	5	41	SM	S03	3	02	SD	DASH LT
BLU	16	P07	5	41	SM	J60	1	42		COMPASS LT
BLK	14	P05	1	41	SN	J60	2	42		COMPASS LT RET
PUR	14	P07	6	41		S07	1	02	SL	IGNITION
BLK	16	S01	7	02	SE	S02	7	02	SF	SWITCH LT RET
BLK	16	S02	7	02	SF	S03	7	02	SG	SWITCH LT RET
BLK	16	S03	7	02	SG	S04	7	02	SH	SWITCH LT RET
BLK	16	S04	7	02	SH	S05	7	02		SWITCH LT RET
ORN/GRN	16	S03	2	02	SC	S03	5	02		NAV/ANC LT JUMPER
GRA/BLU	16	S03	4	02	SJ	S03	6	02		ANC LT JUMPER

FOUR WINNS PARTS LIST

ITEM	PART NUMBER	QUANTITY	DESCRIPTION	FUNCTION	MANUFACTURER
	028-0177	26	RECEPT,FASTON,250,18-14	02	AMP
	028-0390	10	PIN,UMNL,18-14	41	AMP
	028-0454	17	SOCKET,UMNL,18-14	42	AMP
	028-0519	2	SWITCH,BLANK,CONT III		CARL SW
	025-2897	1	PANEL,BLANK,190/200H,IGN/SWITCH		
CB01	028-0467	1	BREAKER,15A,THERMAL	IGNITION	MP
J06	028-0446	1	RECEPT,UMNL,15 CKT	SWITCH/HELM	AMP
J60	028-0441	1	RECEPT,UMNL,2 CKT	COMPASS	AMP
P05	028-0448	1	PLUG,UMNL,4 CKT	ACCESSORY	AMP
P07	028-0449	1	SWITCH,SPST,CONT III	SWITCH/HAFT	AMP
S01	028-0457	1	SWITCH,SPST,CONT III	BLOWER	CARL SW
S02	028-0457	1	SWITCH,SPST,CONT III	BILGE	CARL SW
S03	028-0504	1	SWITCH,DPDT,CONT III	NAV/ANC	CARL SW
S04	028-0457	1	SWITCH,SPST,CONT III	CTSY	CARL SW
S05	028-0457	REF	SWITCH,SPST,CONT III	WIPER	CARL SW
S06	028-0456	1	SWITCH,SPST,MON,UMNL,LIT,CONT III	HORN	CARL SW
S07	028-1286	1	SWITCH,IGNITION W/ACCESSORY 39802	IGNITION	SIERRA



**190-200 HORIZON
IGNITION/SWITCH
PANEL ASSEMBLY**

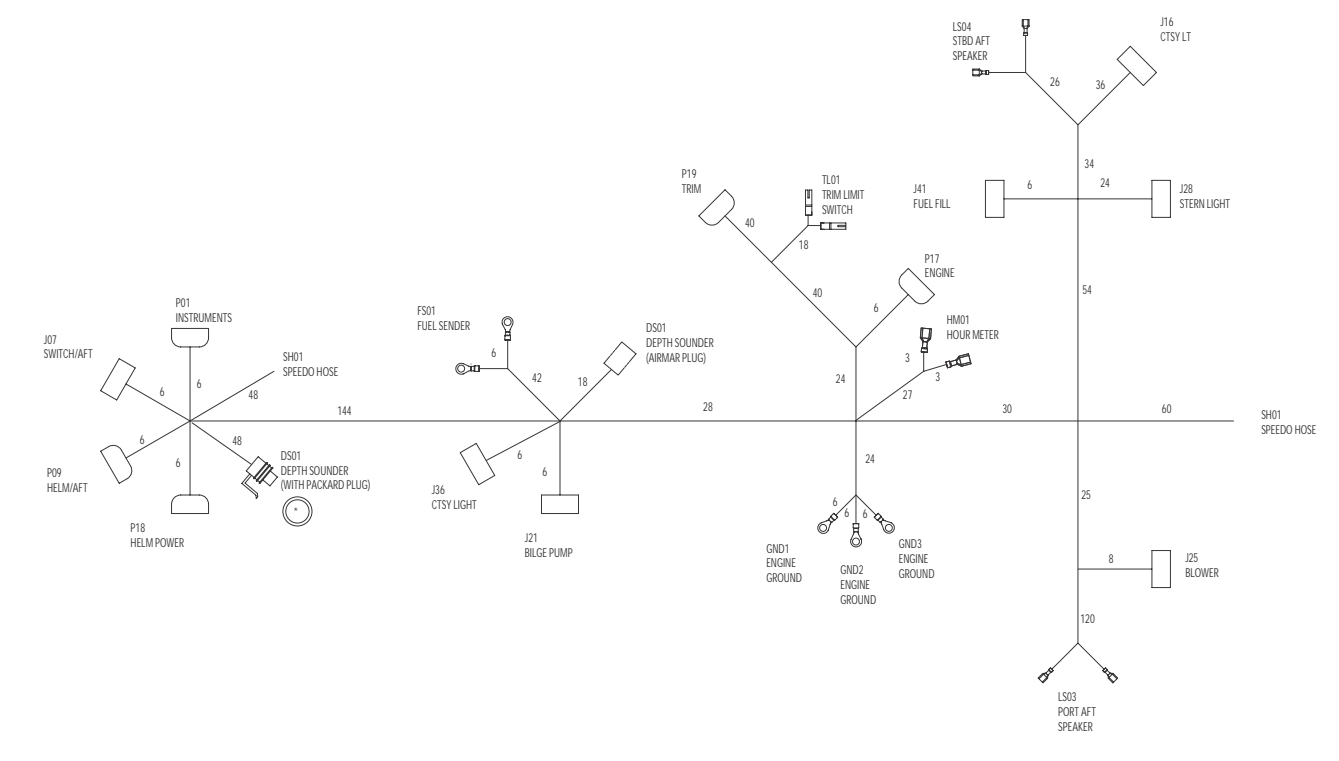


- DASH RET
- SW IGN POWER
- DASH LIGHTS
- TACHOMETER
- WATER TEMP
- OIL PRESS
- TRIM POSITION
- FUEL LEVEL
- NOT USED

- BLOWER
- BILGE IN
- BILGE MANUAL
- ANC LT
- DASH LT
- IGNITION
- COCKPIT LT
- NOT USED

- HELM RET
- HELM POWER

- NOT USED
- TRIM LIMIT SW
- START
- TRIM POWER
- TRIM UP
- TRIM DOWN
- BILGE POWER
- AFT PORT SPKR
- AFT PORT SPKR RET
- AFT STBD SPKR
- AFT STBD SPKR RET
- DASH RET



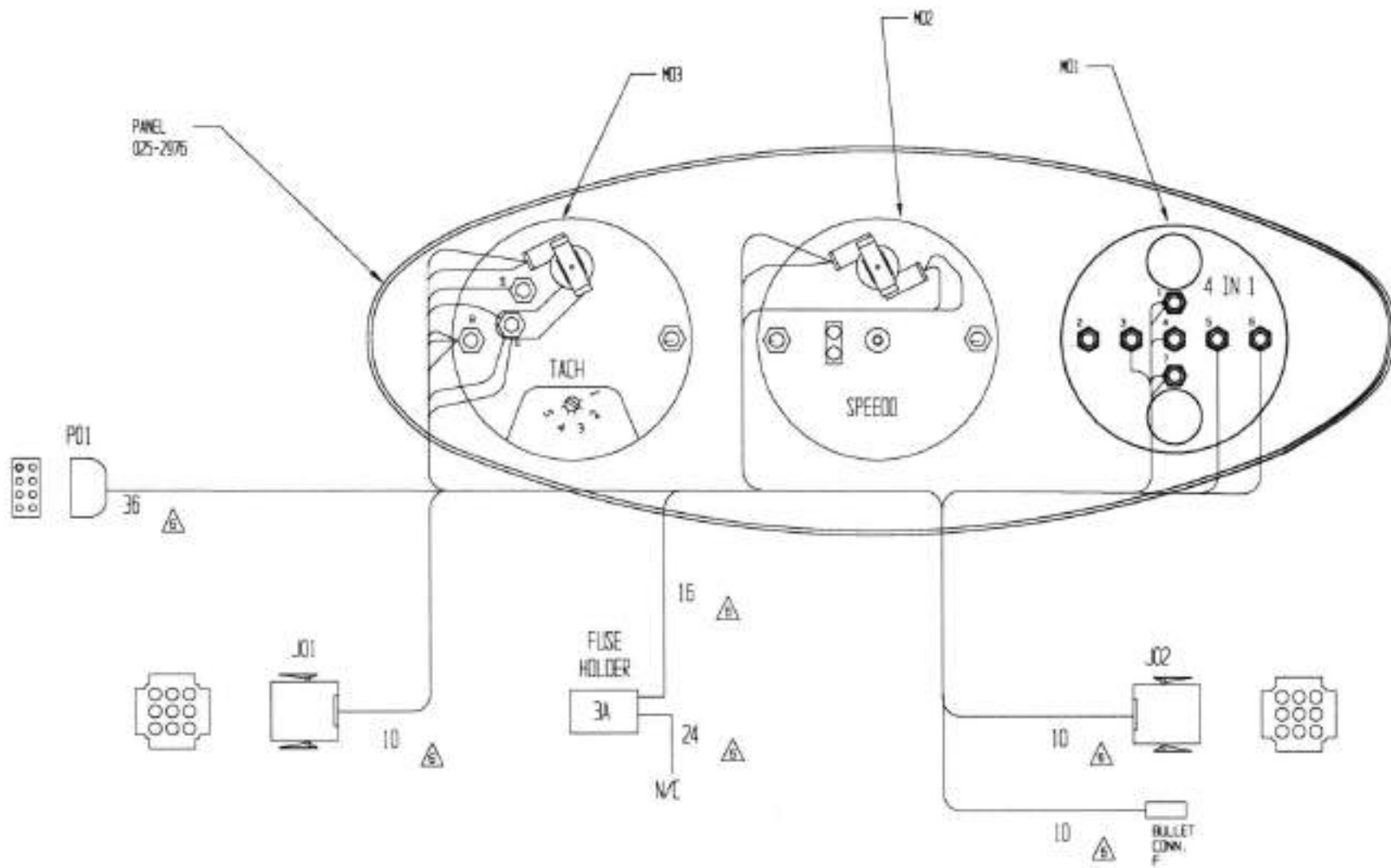
FOUR WINNS PARTS LIST

ITEM	PART NUMBER	QUANTITY	DESCRIPTION	FUNCTION	MANUFACTURER
	028-0177	2	RECEPTACLE FASTON, 250,16-14	02	AMP
	028-0191	1	TERM.RING.#10,16-14	09	AMP
	028-0193	1	TERM.RING.3/8,16-14	11	AMP
	028-0197	2	TERM.RING.3/8,12-10	15	AMP
	028-0356	1	TERM.RING.#6,16-14	22	AMP
	028-0112	2	RECEPT.FASTON, 110,18-14	27	AMP
	028-0453	2	PINUMNL,12-10	40	AMP
	028-0390	9	PINUMNL,18-14	41	AMP
	028-0454	26	SOCKET,UMNL,18-14	42	AMP
	028-0211	2	RECEPT.SOCKET, 156,16-14	46	AMP
	A/R		SOLDER	50	
SH01	024-0073	310*	SPEEDO HOSE, NEW AGE # C1101033	-	NEW AGE
DS01	028-1288	2	RECEPT.FASTON, 205,18-14	63	AMP
FS01	027-1488	1	CABLE 20' TRANSDUCER 33-064-01		AIRMAR
GND1	REF		FUEL SENDER	FUEL SENDER	
GND2	REF		ENGINE GROUND	ENGINE GROUND	
GND3	REF		ENGINE GROUND	ENGINE GROUND	
J07	028-0442	1	RECEPT.UMNL,9 CKT	SWITCH/AFT SYSTEMS	AMP
J16	028-0441	1	RECEPT.UMNL,2 CKT	AFT CTSY LT	AMP
J36	028-0441	1	RECEPT.UMNL,2 CKT	AFT CTSY LT	AMP
J21	028-0442	1	RECEPT.UMNL,4 CKT	BILGE PUMP	AMP
J25	028-0441	1	RECEPT.UMNL,2 CKT	BLOWER	AMP
J28	028-0441	1	RECEPT.UMNL,2 CKT	STERN LIGHT	AMP
J41	028-0441	1	RECEPT.UMNL,2 CKT	FUEL FILL	AMP
LS03	REF		PORT AFT SPKR	SPEAKER	AMP
LS04	REF		STBD AFT SPKR	SPEAKER	AMP
P01	028-0449	1	PLUG,UMNL,9 CKT	INSTRUMENTS	
P09	028-0451	1	PLUG,UMNL,12 CKT	HELM/AFT SYSTEMS	AMP
P17		1	PLUG,ENGINE I/O	ENGINE	AMP
P18	028-0447	1	PLUG,UMNL,2 CKT	HELM POWER	OMC
P19		1	PLUG,TRIM/TILT	TRIM/TILT	AMP
HM01	REF		HOUR METER	HOUR METER	OMC

FOUR WINNS WIRE LIST

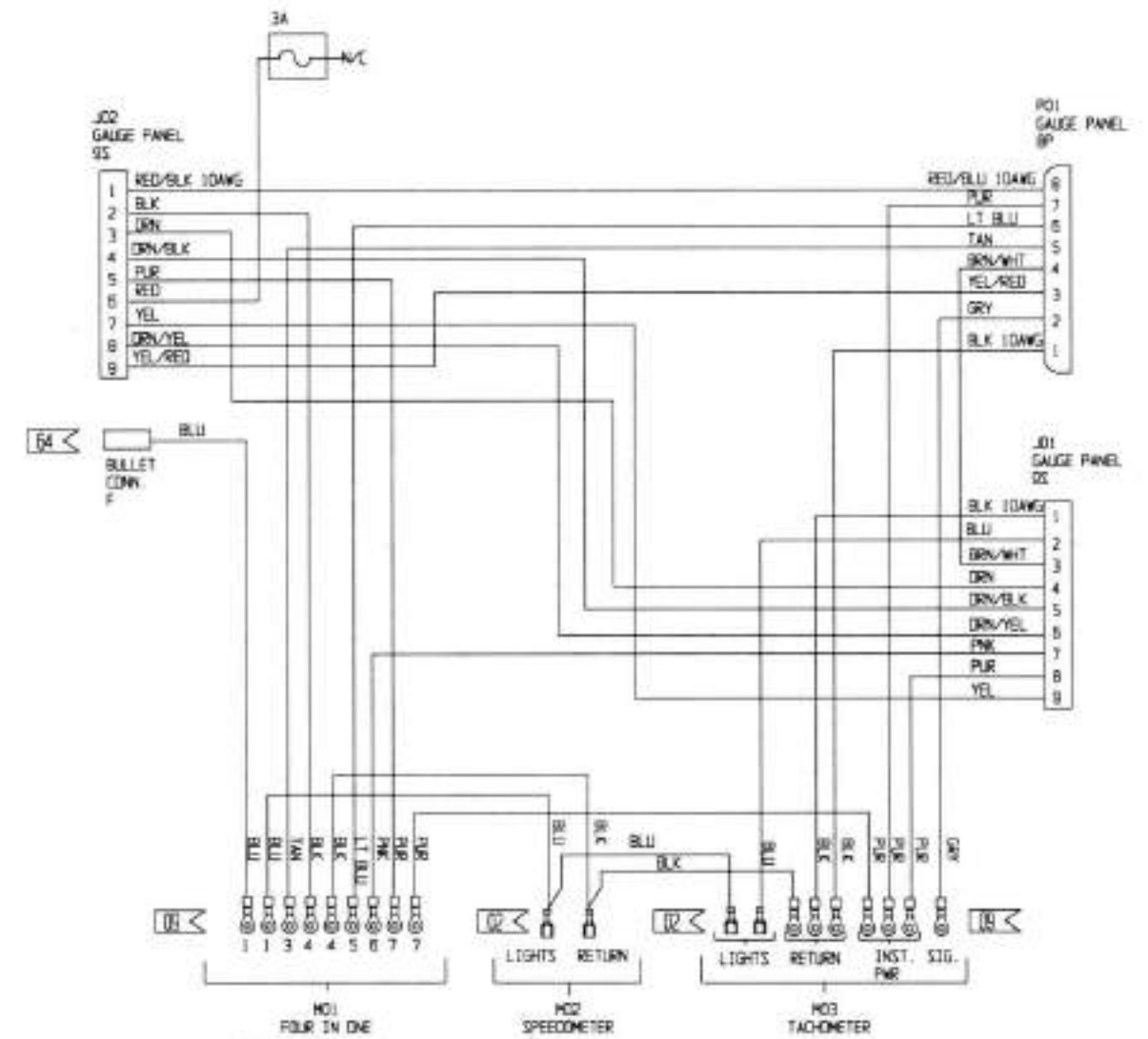
COLOR	GA	FIRST	PIN	TERM	NOTE	SECOND	PIN	TERM	NOTE	FUNCTION
BLK	16	P01	1	41		P09	12	41		DASH RET
PUR	16	P01	2	41		J07	6	42	SA	SW IGN POWER
BLU	16	P01	3	41		J07	5	42		DASH LITS
GRA	16	P01	4	41		P17	2	51		TACHOMETER
TAN	16	P01	5	41		P17	3	51		WATER TEMP
LT BLU	16	P01	6	41		P17	8	51		OIL PRESSURE
PUR/WHT	16	P01	7	41		P17	10	51		TRIM POSITION
PNK	16	P01	8	41		FS01	-	22		FUEL LEVEL
YEL	14	J07	1	42		J25	2	42		BLOWER
BRN/ORN	16	J07	2	42		P09	7	41	SB	BILGE IN
BRN/RED	16	J07	3	42		J21	3	42	SC	BILGE MANUAL
GRA/BLU	16	J07	4	42		J28	2	42		ANCHOR LTS
PUR	14	J07	6	42		HM01	+	02	SI	IGNITION
GRA/BRN	16	J07	7	42		J36	2	42	SG	COCKPIT LT
BLK	16	J36	2	42	SG	J16	2	42		COCKPIT LT RET
J21	16	P18	1	40		P17	1	51		HELM RET
BLK	10	P18	1	40		P17	6	51		HELM POWER
RED/PUR	10	P18	2	40		P17	7	51		START
WHT/PUR	16	P09	2	41		TL01	-	46		TRIM LIMIT SW
YEL/RED	16	P09	3	41		P17	7	51		START
WHT/RED	16	P09	4	41		P19	3	51		TRIM POWER
WHT/BLU	16	P09	5	41		P19	2	51		TRIM UP
WHT/BLU	16	P19	2	51	SK	TL01	-	46		TRIM LIMIT SW
WHT/GRN	16	P09	6	41	SB	P19	1	51		TRIM DOWN
BRN/ORN	16	P09	7	41	BA	J21	2	42		BILGE POWER
ORN	16	P09	8	41	BA	LS03	+	63		AFT PORT SPKR
BLK/ORN	16	P09	9	41	BB	LS03	-	27		AFT PORT SPKR RET
BLU	16	P09	10	41	BB	LS04	+	63		AFT STBD SPKR
BLK/BLU	16	P09	11	41	BB	LS04	-	27		AFT STBD SPKR RET
BLK	14	J25	1	42		GND2	1	1550	SJ	BLOWER RET
BLK	16	J16	1	42		J28	1	42	SD	AFT CTSY LT RET
BLK	16	J28	1	42	SD	GND1	1	1550	SE	STERN LT RET
BLK	16	J21	1	42	SC	GND1	1	1550	SE	BILGE RET
BRN/RED	16	J21	3	42		J21	4	42		AUTO BILGE JUMPER
GRN	16	J41	1	42		GND1	1	1550	SE	FUEL FILL STATIC GROUND
BLK/PNK	16	GND2	-	1550	SJ	FS01	-	22		FUEL SENDER RET
PUR	14	HM01	+	02	SI	P17	5	51		IGNITION
BLK	14	HM01	-	02		GND2	1	11	SJ	HOUR METER RET

190-200 HORIZON AFT SYSTEMS HARNES ASSEMBLY



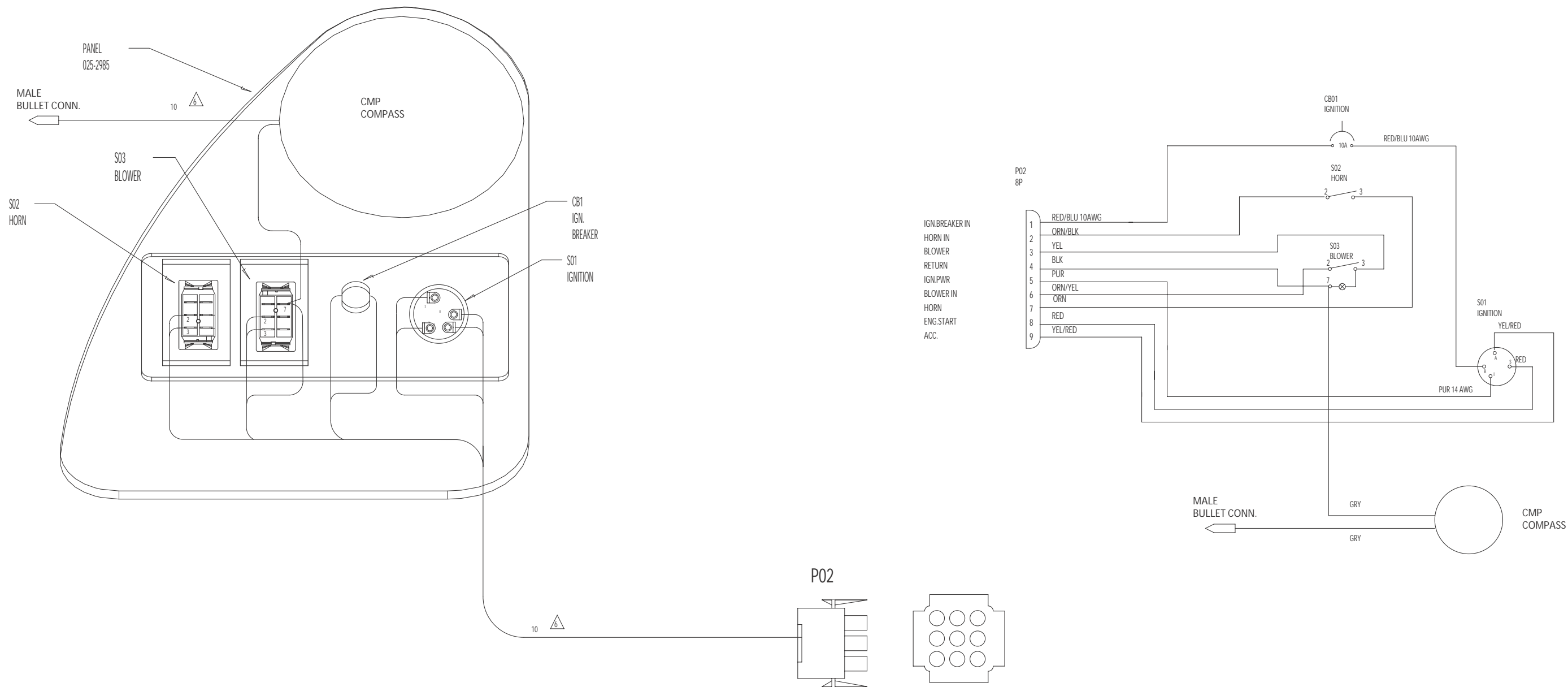
FOUR WINNS PARTS LIST

ITEM	PART NUMBER	QUANTITY	DESCRIPTION	MANUFACTURER	MANUF. PART #
M01	024-0503	1	GAUGE, 4 IN 1	FARITA	GF0066
M02	024-0501	1	GAUGE, SPEED (65MPH)	FARITA	SE9390
M03	024-0505	1	GAUGE, TACH (6000RPM)	FARITA	TC9395
PANEL	025-2976	1	PANEL, BLANK UPR/GA FLDR BURL 210H *03"		
P01		1	PLUG, MOLDED, B. CKT		
-	026-0390	16	PIN, UNML, 18-14	AMP	350918-3
-	026-0185	16	TERM. RING, PG. #6, 18-14	AMP	32959
-	026-0177	4	RECEPT, FASTON, .250, 18-14	AMP	3-350820-2
J01, 2		2	RECEPT, UNML, -11, 9 CKT	AMP	770028-1
FU1, 2		1	FLUSE HOLDER	PACKARD	54-0202-032
FU1, 1		1	FLUSE COVER	PACKARD	84-0101-003
FU1	026-0506	1	FLUSE, 3A, ATC	BUSS	ATC3



CODE:
 TERM 1 = LIGHTS
 TERM 3 = WATER TEMP.
 TERM 4 = RETURN
 TERM 5 = OIL PRESSURE
 TERM 6 = FUEL QTY
 TERM 7 = INST. PWR

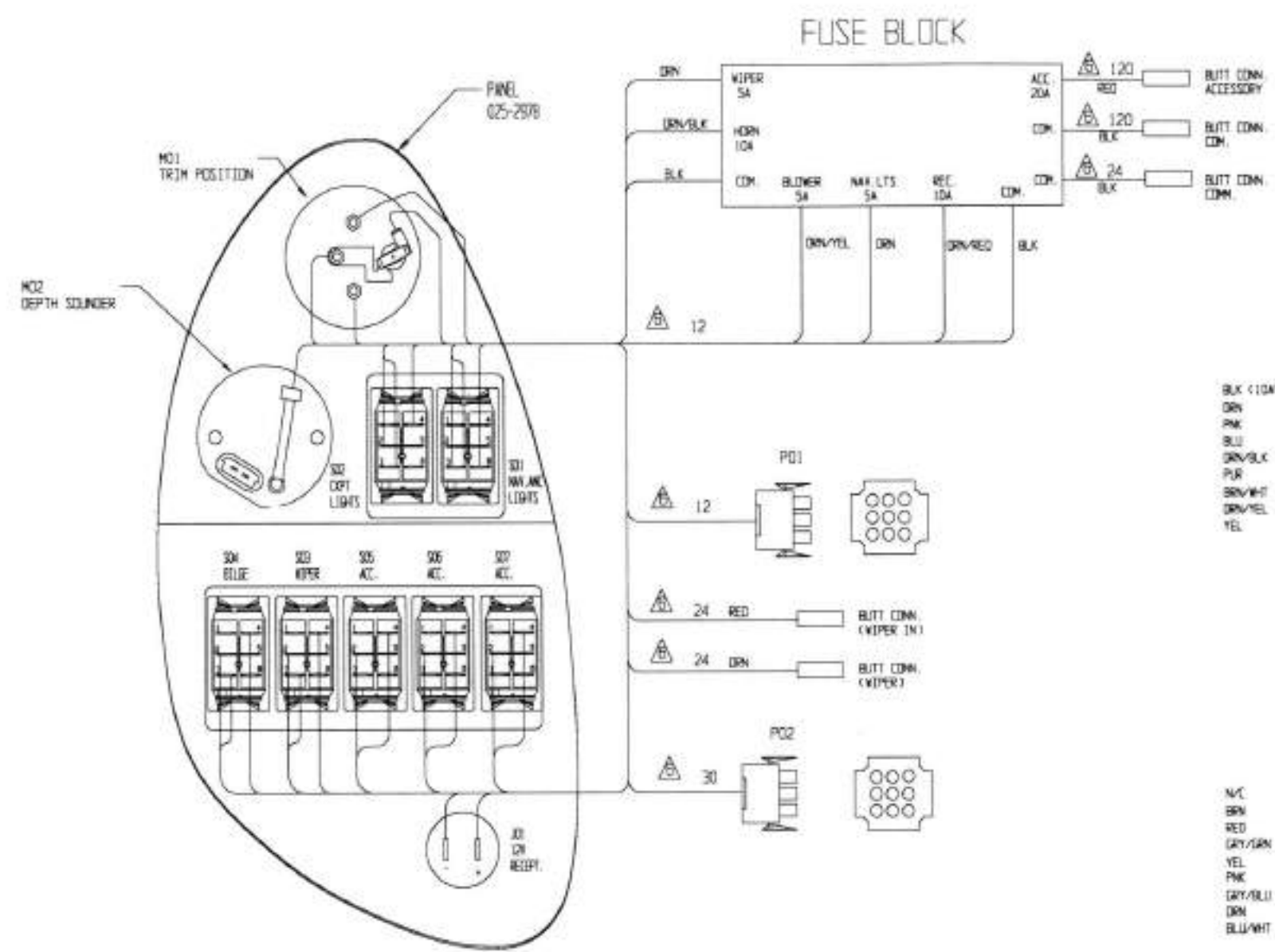
210 HORIZON I/O UPPER GAUGE PANEL ASSEMBLY



FOUR WINNS PARTS LIST

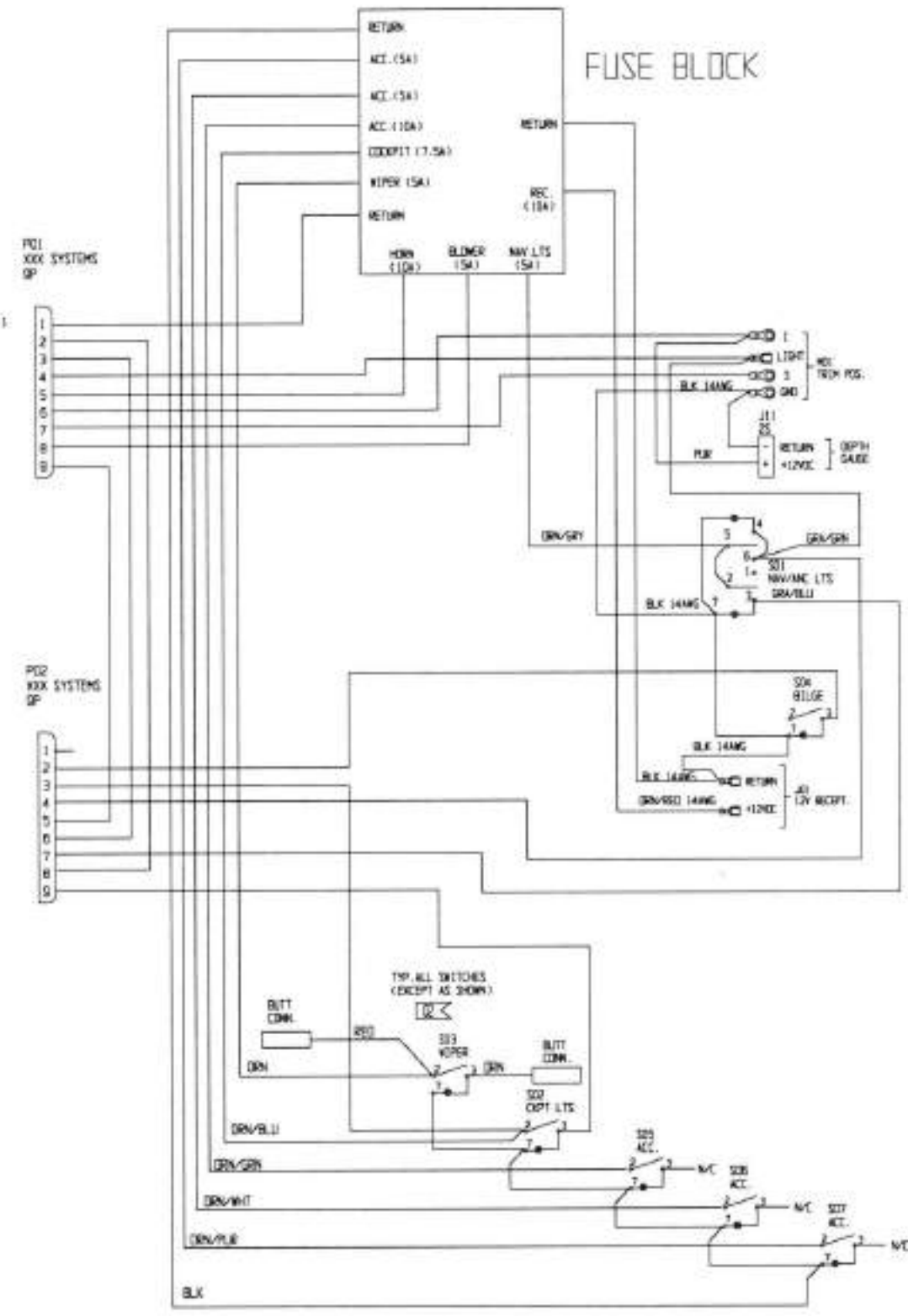
ITEM	PART NUMBER	QUANTITY	DESCRIPTION	MANUFACTURER	MANUF.PART #
CMP	065-1369	1	COMPASS	RITCHIE	X-15VBU
PANEL	025-2985	1	PANEL,BLANK,IGN./SW,FLOR.BURL	210H 03	
S01	028-1286	1	SWITCH,IGNITION,W/ ACC.	SIERRA	MP39802
S02	028-0456	1	SWITCH,SPST,MOM,CONT.III	CARLSW	
P02	-	1	PLUG,UMNL,9 CKTS	AMP	770028-1
-	028-0178	7	RECEPT,FASTON,UF,250,16-14	AMP	3-350820-2
CB01	028-0397	1	BREAKER,10A,THERMAL	CARLING	V1D1B608-CM200
S03	028-0457	1	SWITCH,SPST,CONT.III	CARLSW	1-480698-0
P01	028-0447	1	PLUG,UMNL,2 CKT	AMP	350919-3
-	028-0454	9	SOCKET,UNML,18-14	AMP	324227
-	XXXXXX	1	CONNECTOR,BULLETT,MALE	AMP	34161
-	028-0191	4	TERM,RING,PG,#10,16-14	AMP	62253-1
-	028-0219	1	RECEPT,FASTON,W TAB,250	AMP	

210 HORIZON I/O IGNITION SWITCH PANEL ASSEMBLY

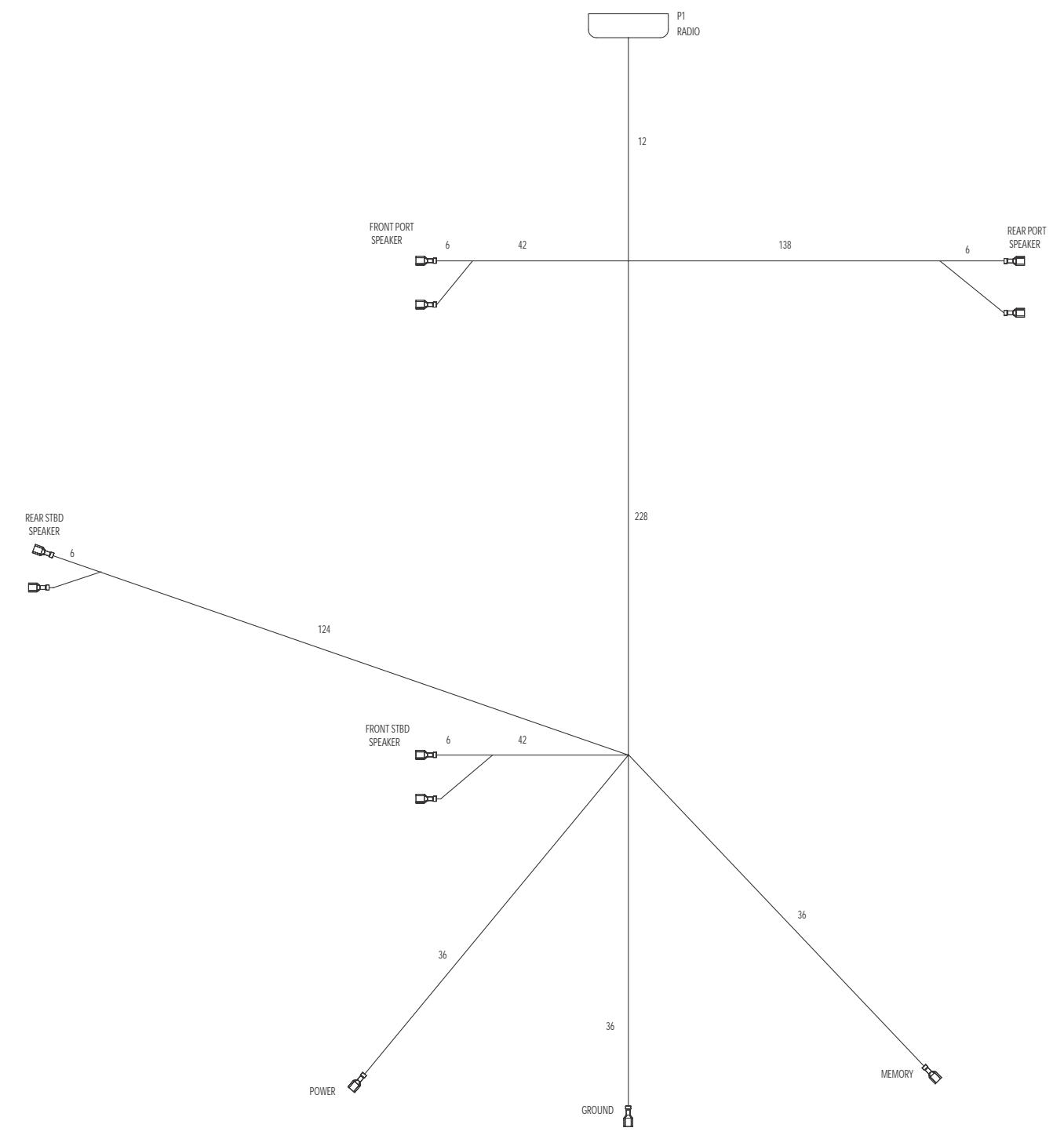
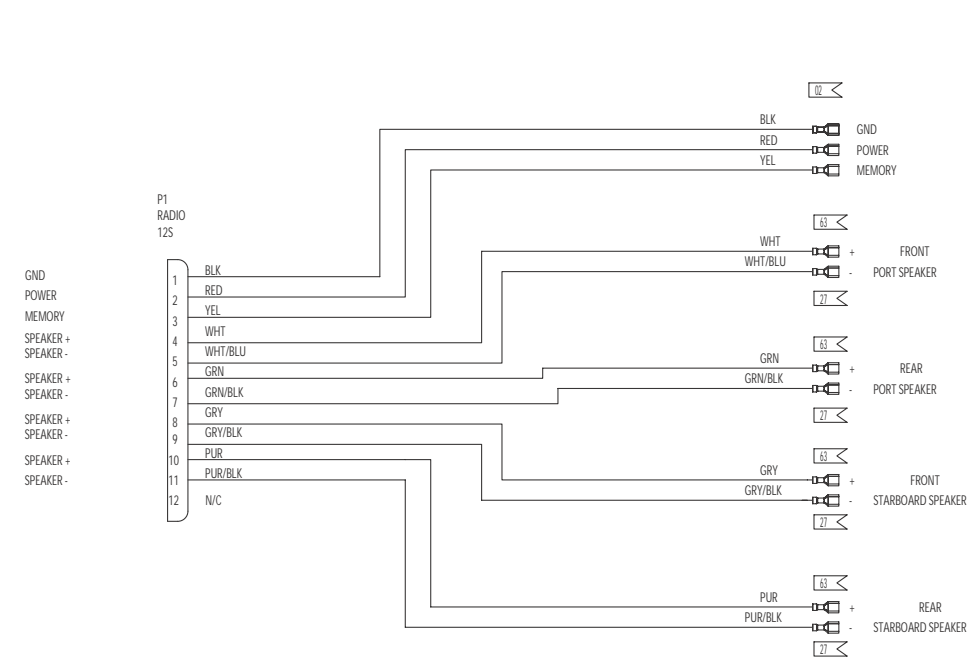


FOUR WINNS PARTS LIST

ITEM	PART NUMBER	QUANTITY	DESCRIPTION	MANUFACTURER	MANUF. PART #
MO1	024-0508	1	GALGE, TRIM	FARIA	GP7590
MO2	026-1748	1	GALGE, DEPTH	FARIA	DS0109
J01	026-1100	1	12V RECEPT.	AFT	12VACDEM
S01	026-0504	1	SWITCH, OPDT. CONT. III	CARLING SW	VJ010668-0M00
S02, 3, 4, 5, 6, 7	026-0457	6	SWITCH, SPST. CONT. III	CARLING SW	VJ018808-0M00
-	026-0189	3	TERM. RING, PG. #8, 16-14	AMP	32959
-	026-0177	40	RECEPT, FASTON, LF., 250, 16-14	AMP	3-350820-2
-	025-2978	1	PANEL, BLANK, TRIM-DEPTH, FLOUR. BURL, 210H		
PO1, 2	026-0449	2	LUG, LMM, 9 CKT	AMP	1-480706-0
-	026-0454	16	SOCKET, LMM, 16-14	AMP	350919-3
-	026-0011	5	CONNECTOR, BUTT, 16-14	AMP	
FUSE BLOCK	026-0505	1	FUSE BLOCK, 14 POS, ATC	XXXXXX	XXXXXX
-	026-0507	6	FUSE, 5A, ATC	BUSS	ATC5
-	026-0509	3	FUSE, 10A, ATC	BUSS	ATC10
-	026-0511	1	FUSE, 20A, ATC	BUSS	ATC20
-	026-0508	1	FUSE, 7.5A, ATC	BUSS	ATC7.5



210 HORIZON I/O
TRIM / DEPTH
PANEL ASSEMBLY



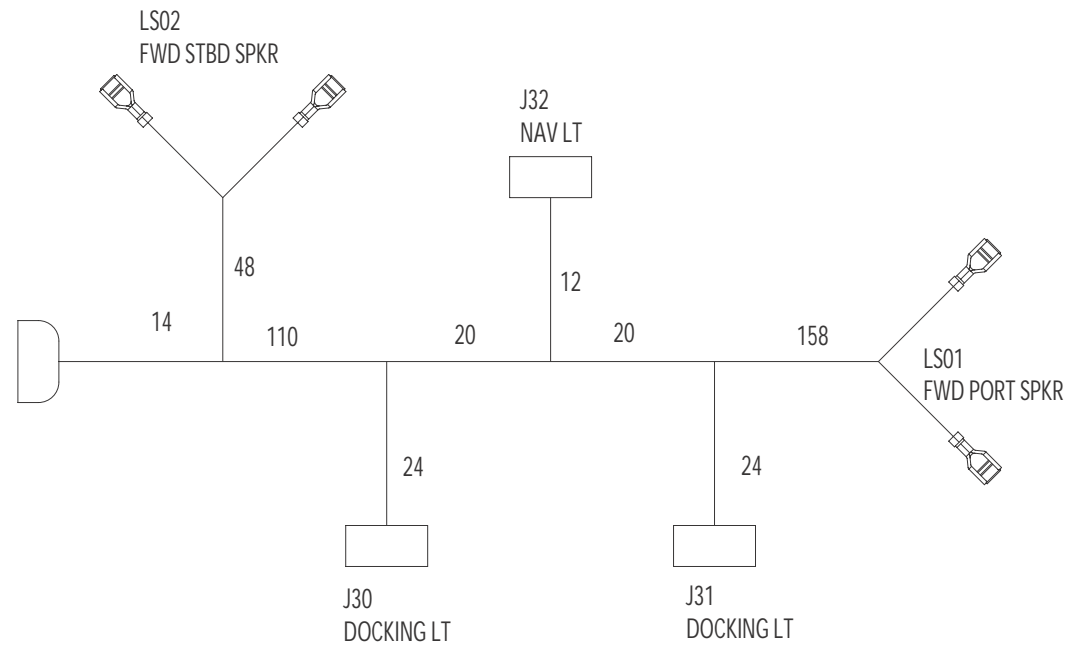
FOUR WINNS PARTS LIST

ITEM	FOUR WINNS PART NUMBER	QUANTITY	DESCRIPTION	FUNCTION	MANUFACTURER	MANUFACTURER PART NUMBER
J1	028-0112	4	TERM.FASTON,110,20-16	27	AMP	170042-1
	028-1248	4	TERM.FASTON,205,18-14	63	AMP	42713-2
	028-0177	3	TERM.FASTON,25,16-14	02	AMP	3-350820-2
	028-0451	1	PLUG,UMNL,12 CRKT	RADIO	AMP	480708-0
	028-0454	11	SOCKET,UMNL,18-14	42	AMP	350919-3

**210 HORIZON I/O
RADIO
HARNES ASSEMBLY
Page 4**



P19
HELM/FWD SYSTEMS
9P



FOUR WINNS PARTS LIST

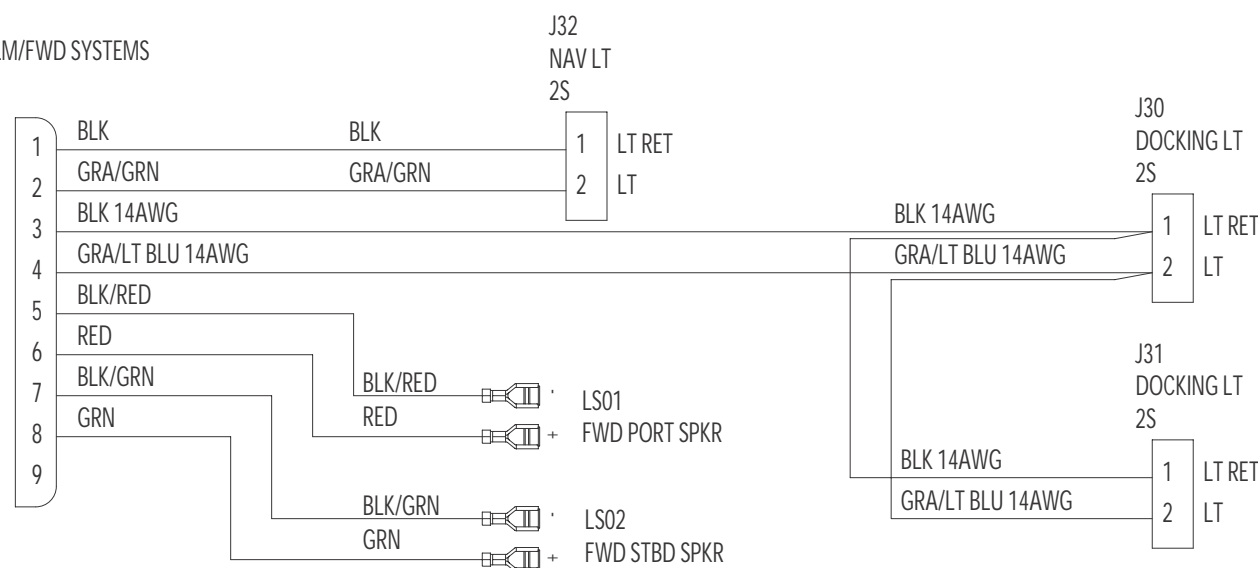
ITEM	PART NUMBER	QUANTITY	DESCRIPTION	FUNCTION	MANUFACTURER
	028-0112	2	TERM,FASTON,.110,18-14	27	AMP
	028-0390	8	PIN,UMNL,18-14	41	AMP
	028-0454	6	SOCKET,UMNL,18-14	42	AMP
	028-1288	2	FASTON,.205,18-14	63	AMP
J30	028-0441	12	RECEPT,UMNL,2 CKT	DOCKING LT	AMP
J31	028-0441	1	RECEPT,UMNL,2 CKT	DOCKING LT	AMP
J32	028-0441	1	RECEPT,UMNL,2 CKT	NAV LT	AMP
LS01		REF	SPEAKER	FWD PORT SPKR	
LS02		REF	SPEAKER	FWD STBD SPKR	
P19	028-0449	1	PLUG,UMNL,9 CKT		AMP

FOUR WINNS WIRE LIST

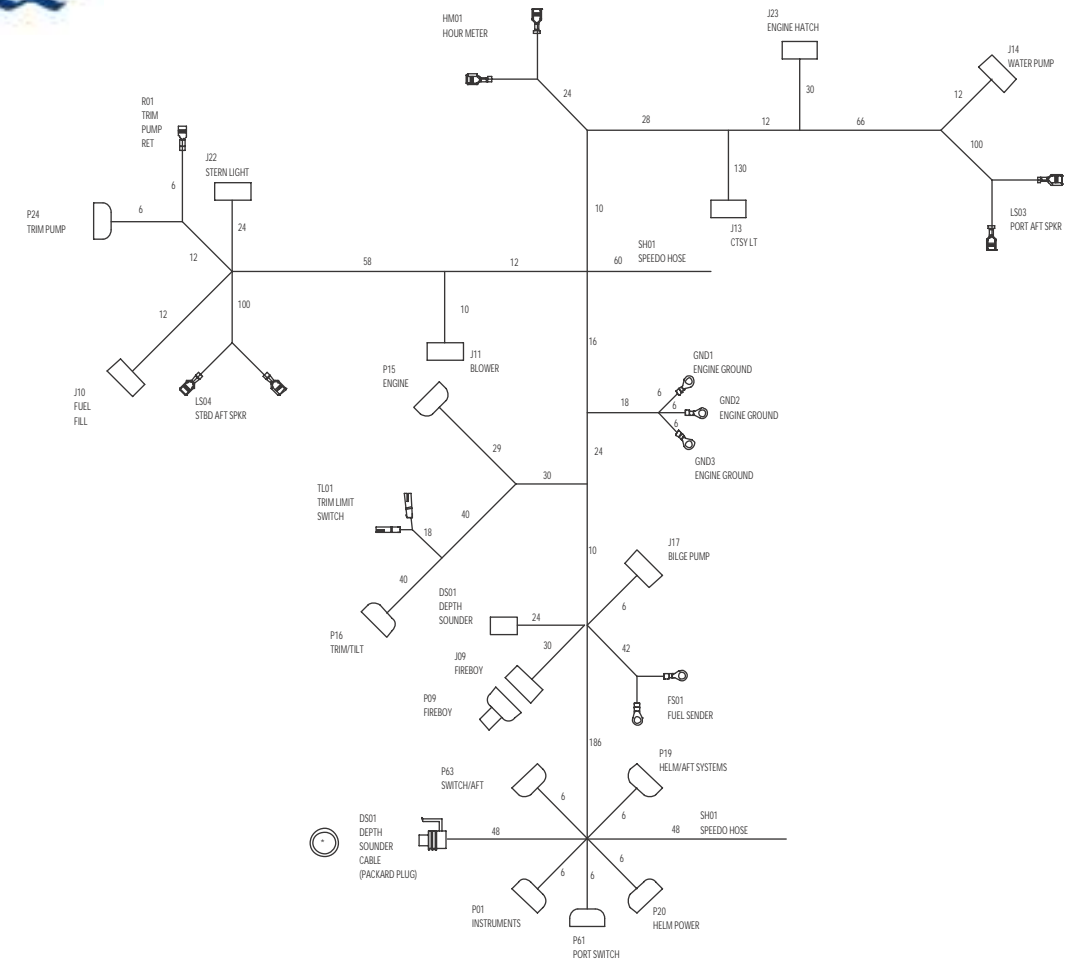
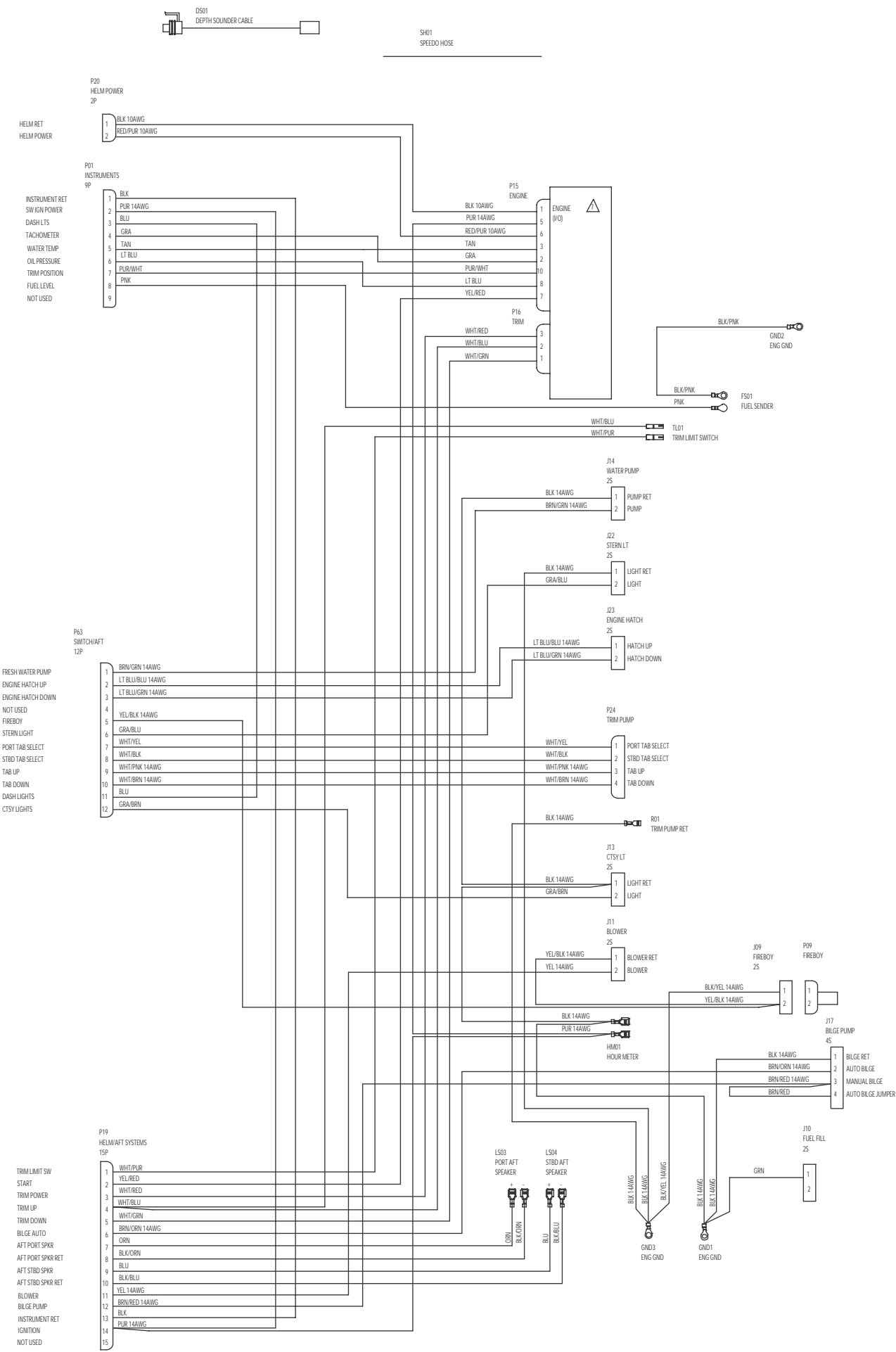
COLOR	GA	FIRST	PIN	TERM	NOTE	SECOND	PIN	TERM	NOTE	FUNCTION
BLK	16	P19	1	41	BA	J32	1	42		NAV LT RET
GRA/GRN	16	P19	2	41	BA	J32	2	42		NAV LT
BLK	14	P19	3	41		J30	1	42	SA	DOCKING LT
GRA/LT BLU	14	P19	4	41		J30	2	42	SB	DOCKING LT
BLK/RED	16	P19	5	41	BB	LS01	-	27		FWD PORT SPKR RET
RED	16	P19	6	41	BB	LS01	+	63		FWD PORT SPKR
BLK/GRN	16	P19	7	41	BC	LS02	-	27		FWD STBD SPKR RET
GRN	16	P19	8	41	BC	LS02	+	63		FWD STBD SPKR
BLK	14	J30	1	42	SA	J31	1	42		DOCKING LT
GRA/LT BLU	14	J30	2	42	SB	J31	2	42		DOCKING LT

P19
HELM/FWD SYSTEMS
9P

NAV LT RET
NAV LT
DOCKING LT RET
DOCKING LT
FWD PORT SPKR RET
FWD PORT SPKR
FWD STBD SPKR RET
FWD STBD SPKR
NOT USED



210 HORIZON MCM/VP FORWARD SYSTEMS HARNES ASSEMBLY



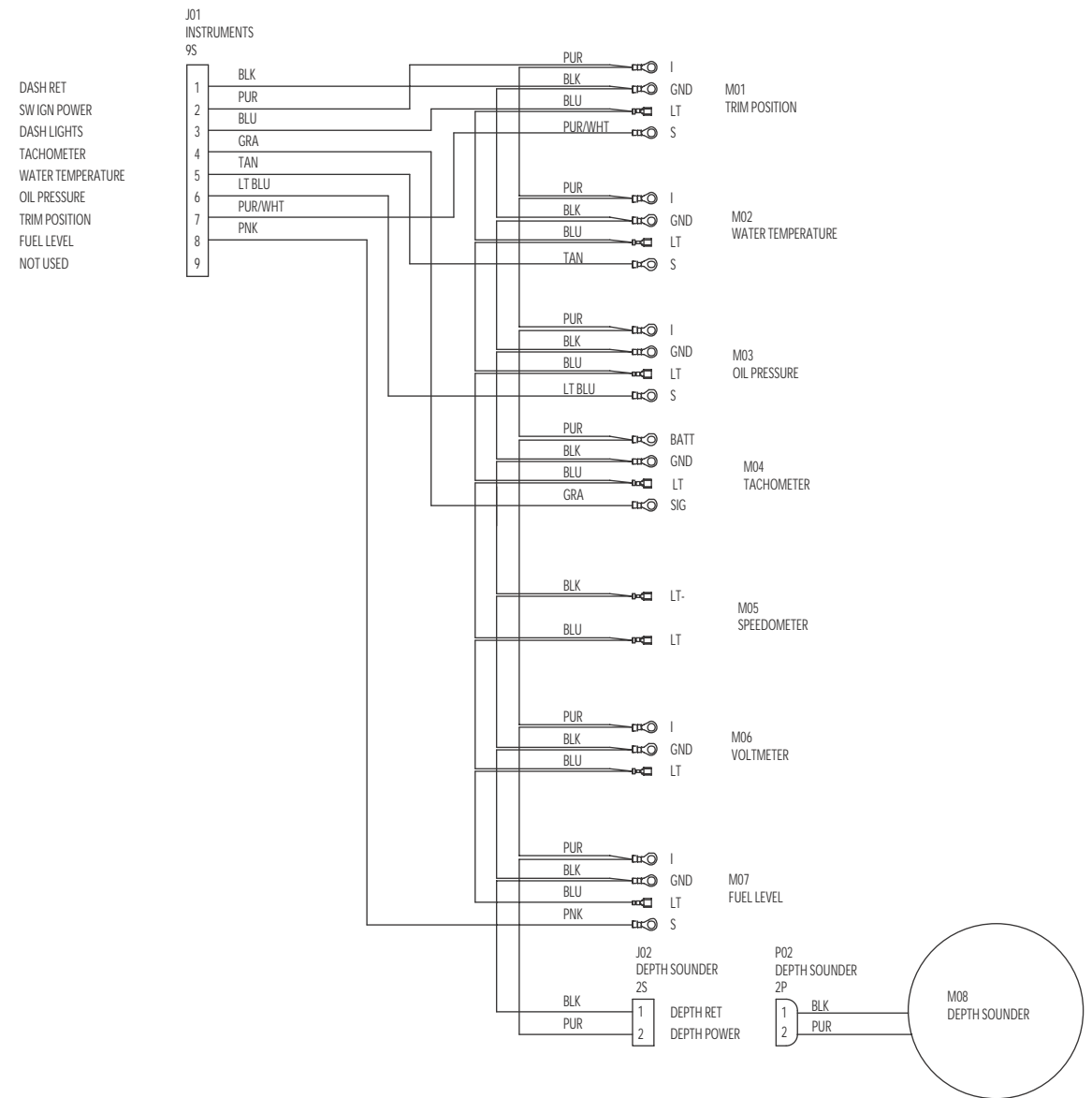
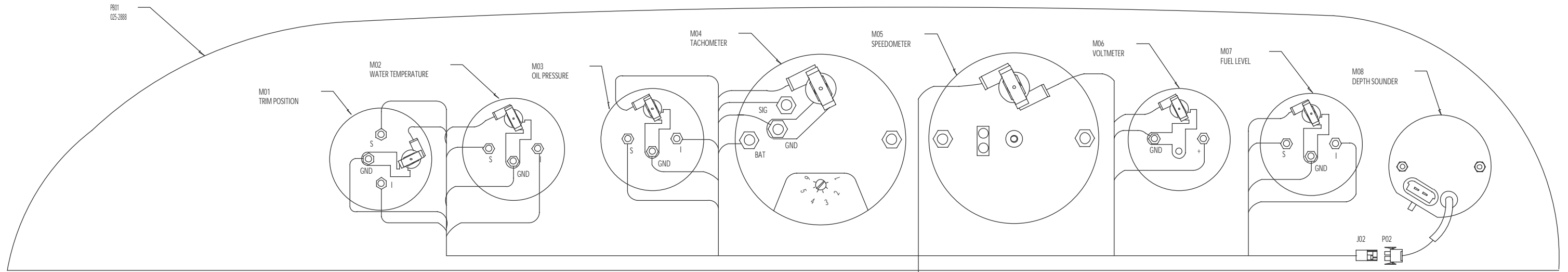
FOUR WINNS PARTS LIST

ITEM	PART NUMBER	QUANTITY	DESCRIPTION	FUNCTION	MANUFACTURER
	028-0177	2	TERM FASTON, 250 18-14	02	P15
	028-0201	1	TERM FASTON, 250 18-14	04	P15
	028-0191	1	TERM RING, 4.12 16-14	09	P19
	028-0193	1	TERM RING, 3.18 16-14	11	P19
	028-0197	2	TERM RING, 3.18 12-10	15	P63
	028-0256	1	TERM RING, 4.16 16-14	22	P15
	028-0112	2	TERM FASTON, 170 18-14	27	P15
	028-0453	2	PLUG, UMNL, 12-10	40	P15
	028-0390	26	PLUG, UMNL, 18-14	41	P15
	028-0454	18	SOCKET, UMNL, 18-14	42	P15
	028-0159	4	SOCKET, UMNL, 20-14	45	P15
	028-0211	2	RECEPT, SOCKET, 156 16-14	46	P15
	028-1288	2	FASTON, 205 18-14	63	P15
SH01	024-0073	1	SPEEDO HOSE NEW AGE AC1101033		NEW AGE IND
DS01	027-2199	1	CABLE, 25' TRANSDUCER HM0357		FABRAT/ALON
FS01	REF	REF	FUEL SENDER	FUEL SENDER	
GND1	REF	REF	ENGINE GROUND	ENGINE GROUND	
GND2	REF	REF	ENGINE GROUND	ENGINE GROUND	
GND3	REF	REF	ENGINE GROUND	ENGINE GROUND	
HM01	REF	REF	HOUR METER	HOUR METER	
J09	028-0441	1	RECEPT, UMNL, 2-CXT	FIREBOY	AMP
J10	028-0441	1	RECEPT, UMNL, 2-CXT	FUEL FILL GROUND	AMP
J11	028-0441	1	RECEPT, UMNL, 2-CXT	BLOWER	AMP
J13	028-0441	1	RECEPT, UMNL, 2-CXT	CTS LT	AMP
J14	028-0441	1	RECEPT, UMNL, 2-CXT	WATER PUMP	AMP
J17	028-0442	1	RECEPT, UMNL, 4-CXT	BILGE PUMP	AMP
J22	028-0441	1	RECEPT, UMNL, 2-CXT	STERN LT	AMP
J23	028-0441	1	RECEPT, UMNL, 2-CXT	ENGINE HATCH	AMP
LS03	REF	REF	SPEAKER	PORT AFT SPKR	
LS04	REF	REF	SPEAKER	STBD AFT SPKR	
P01	028-0449	1	PLUG, UMNL, 9-CXT	FIREBOY	AMP
P09	028-0447	1	PLUG, UMNL, 2-CXT	ENGINE	AMP
P15	REF	REF	ENGINE	ENGINE	CMC
P16	REF	REF	PLUG, TRIM/TILT	TRIM/TILT	CMC
P19	028-0447	1	PLUG, UMNL, 15-CXT	HELM/AFT SYSTEMS	AMP
P20	028-0447	1	PLUG, UMNL, 2-CXT	HELM/AFT SYSTEMS	AMP
P24	028-0111	1	PLUG, UMNL, 4-CXT	TRIM TABS	AMP
P63	028-0451	1	PLUG, UMNL, 12-CXT	SWITCH/AFT	AMP

FOUR WINNS WIRE LIST

COLOR	GA	FIRST	PIN	TERM	NOTE	SECOND	PIN	TERM	NOTE	FUNCTION
BLK	10	P20	1	40		P15	1	51		HELM RET
RED/PUR	10	P20	2	40		P15	6	51		HELM POWER
BLK	16	P01	1	41		P19	13	41		DASH RET
PUR	14	P01	2	41		P19	14	41	SH	SW IGN POWER
BLU	16	P01	3	41		P63	11	41		INSTRUMENT LIGHTS
GRA	16	P01	4	41		P15	2	51		TACH
TAN	16	P01	5	41		P15	3	51		WATER TEMP
PUR/WHI	16	P01	6	41		P15	8	51		OIL PRESSURE
PUR/WHI	16	P01	7	41		P15	10	51		TRIM POSITION
PNK	16	P01	8	41		FS01	-	09		FUEL LEVEL
BRN/GRN	14	P63	1	41		J14	2	42		FRESH WATER PUMP
WHI/BLU	14	P63	2	41		J23	1	42		ENGINE HATCH UP
LT BLU/GRN	14	P63	3	41		J23	2	42		ENGINE HATCH DOWN
GRA/BLU	16	P63	6	41		J22	2	42		STERN LIGHT
WHI/YEL	16	P63	7	41		P24	1	45		PORT TAB SELECT
WHI/BLK	14	P63	9	41		P24	4	45		STBD TAB SELECT
WHI/GRN	16	P63	12	41		J13	2	42		CTS LT LIGHT
YEL/BLK	14	P19	14	41	SH	HM01	+	02	SA	IGNITION
YEL	14	P19	11	41		J11	2	42		BLOWER
BRN/RED	14	P19	12	41		J17	3	42	SB	BILGE MANUAL TRIM LIMIT SW
WHI/PUR	16	P19	1	41		TL01	-	46		START
VEL/RED	16	P19	2	41		P15	7	51		TRIM POWER
WHI/RED	16	P19	3	41		P16	3	51		TRIM UP
WHI/BLU	16	P19	4	41	SI	P16	2	51		TRIM DOWN
WHI/GRN	16	P19	5	41		P16	1	51		TRIM LIMIT SW
GRN	16	P19	6	41		J17	2	42		AUTO BILGE
ORN	16	P19	7	41	BA	LS03	+	63		AFT PORT SPKR
BLK/GRN	16	P19	8	41	BA	LS03	-	27		AFT PORT SPKR RET
BLU	16	P19	9	41	BB	LS04	+	63		AFT STBD SPKR
PUR	16	P19	10	41	BB	LS04	-	27		AFT STBD SPKR RET
BLK/PNK	16	GND2	1	15		FS01	-	22		IGNITION
BLK	14	J14	1	42	SD	J13	1	42	SD	FUEL SENDER RET
BLK	14	J10	1	42	SE	HM01	-	03	SE	WATER PUMP RET
BLK	14	HM01	-	02	SE	GND1	1	15	SC	CTS LT RET
BLK	14	J22	1	42		GND3	1	15	SC	TRIM DOWN
BLK	14	801	-	04		GND3	1	15	SC	TRIM UP
BLK	14	J17	1	42		GND1	1	15	SC	BILGE PUMP RET
BRN/RED	16	J17	3	42		GND1	1	15	SC	AUTO BILGE JUMPER
GRN	16	J10	1	42	SB	GND1	1	15	SC	FUEL FILL STATIC GROUND
BLK/YEL	14	J09	1	42		GND3	-	15	SC	FIREBOY RET
YEL/BLK	14	J11	1	42		GND3	-	15	SC	FIREBOY RET
YEL/BLK	14	J11	2	42		J09	2	42	SI	BLOWER RET
YEL/BLK	14	P63	5	41		J09	2	42	SI	FIREBOY

**210 HORIZON
AFT SYSTEMS
HARNES ASSEMBLY**

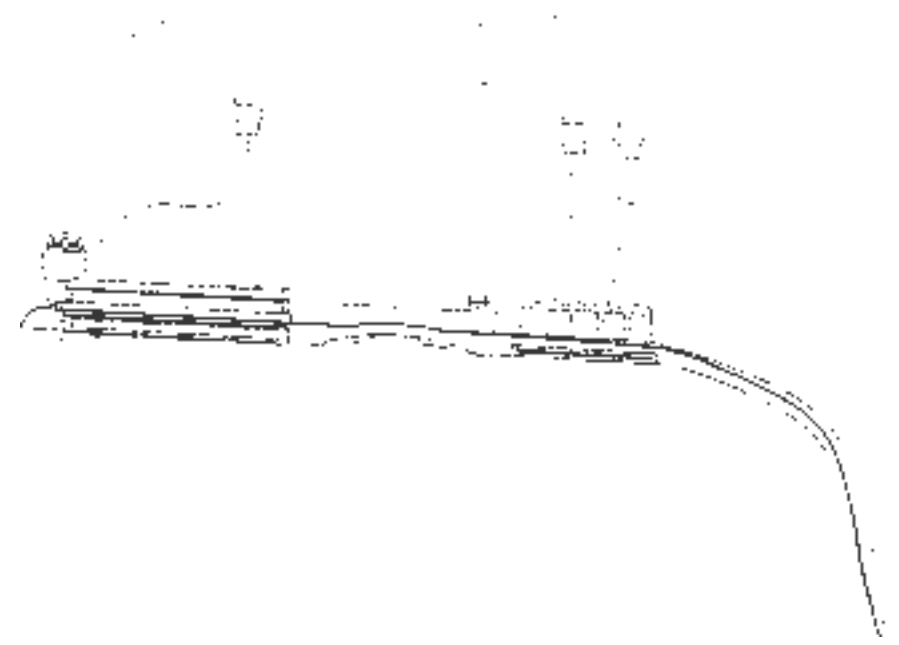
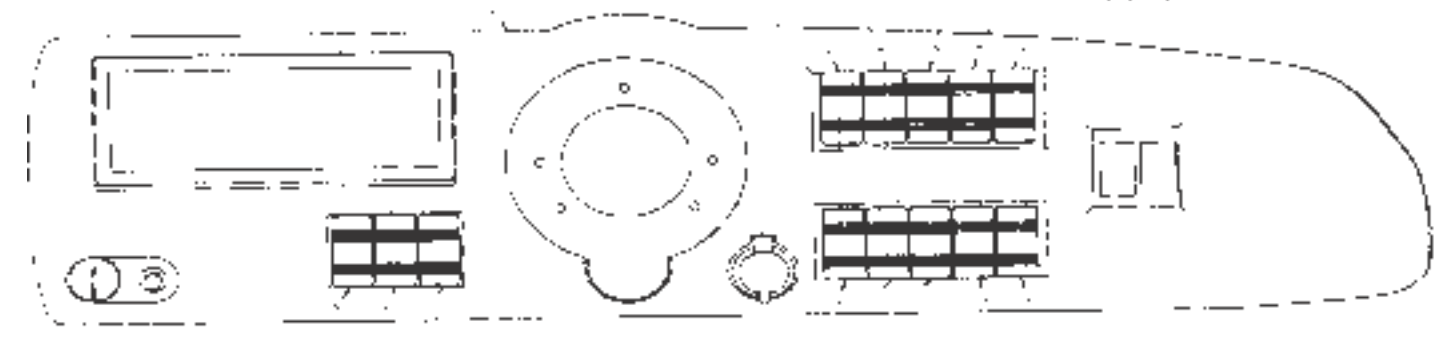
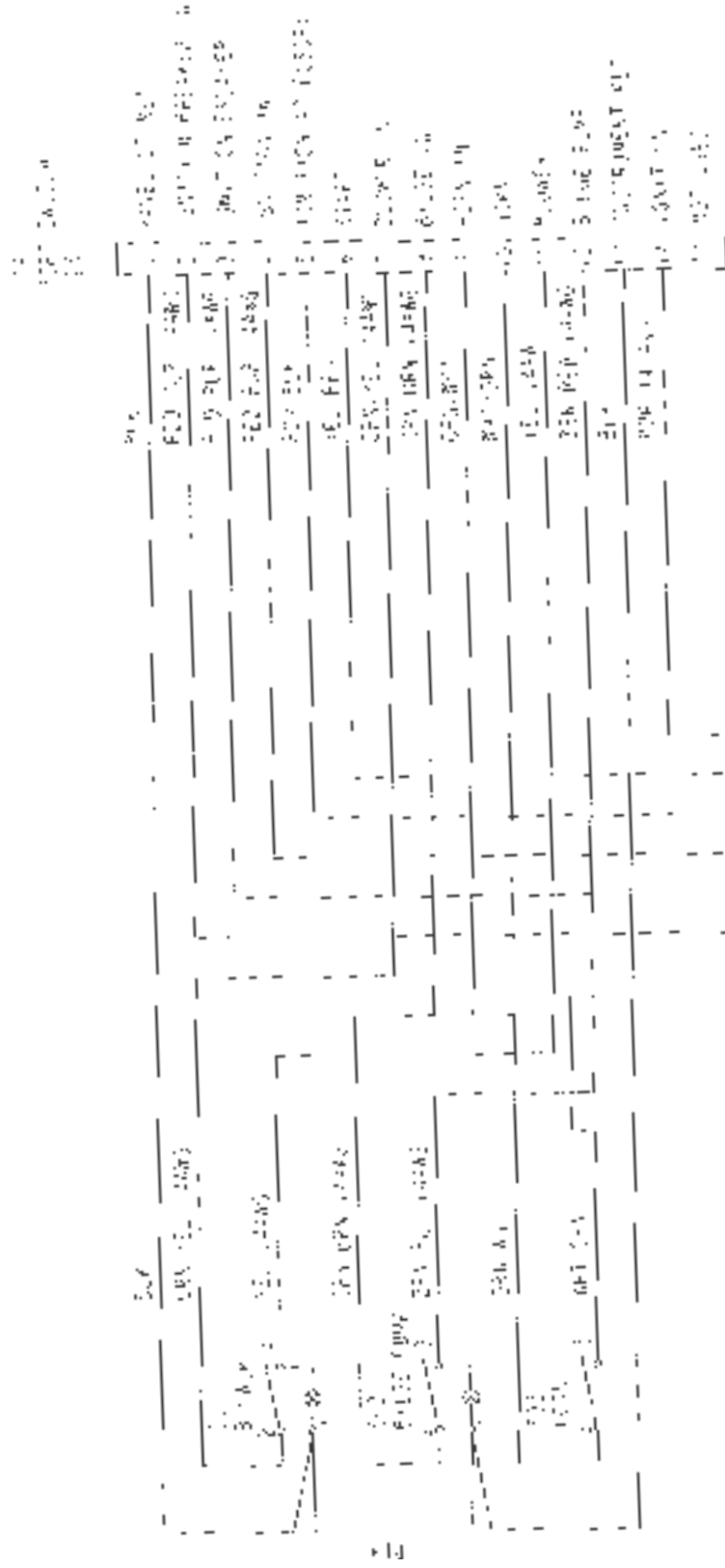


FOUR WINNS PARTS LIST

ITEM	PART NUMBER	QUANTITY	DESCRIPTION	FUNCTION	MANUFACTURER
	028-0177	2	RECEPTACLE,FASTON, 250,16-14	02	AMP
	028-0189	17	TERMINAL,RING,PG.#8,16-14	08	AMP
	028-0390	2	PIN,UMNL,18-14	41	AMP
	028-0454	3	SOCKET,UMNL,18-14	42	AMP
PB01	025-2888	1	PANEL,BLANK,INSTR,INDIAN BURL	-	-
J01	028-0443	1	RECEPT,UMNL, 9 CKT	INSTRUMENTS	AMP
J02	028-0441	1	RECEPT,UMNL, 2 CKT	DEPTH	AMP
P02	028-0447	1	PLUG,UMNL, 2 CKT	DEPTH	AMP
M01	024-0508	1	TRIM POSITION GAUGE	-	FARIA
M02	024-0507	1	WATER TEMP GAUGE	-	FARIA
M03	024-0509	1	OIL PRESSURE GAUGE	-	FARIA
M04	024-0505	1	TACHOMETER	-	FARIA
M05	024-0501	1	SPEEDOMETER	-	FARIA
M06	024-0510	1	VOLTMETER	-	FARIA
M07	024-0511	1	FUEL LEVEL GAUGE	-	FARIA
M08	028-1748	1	DEPTH GAUGE	-	FARIA

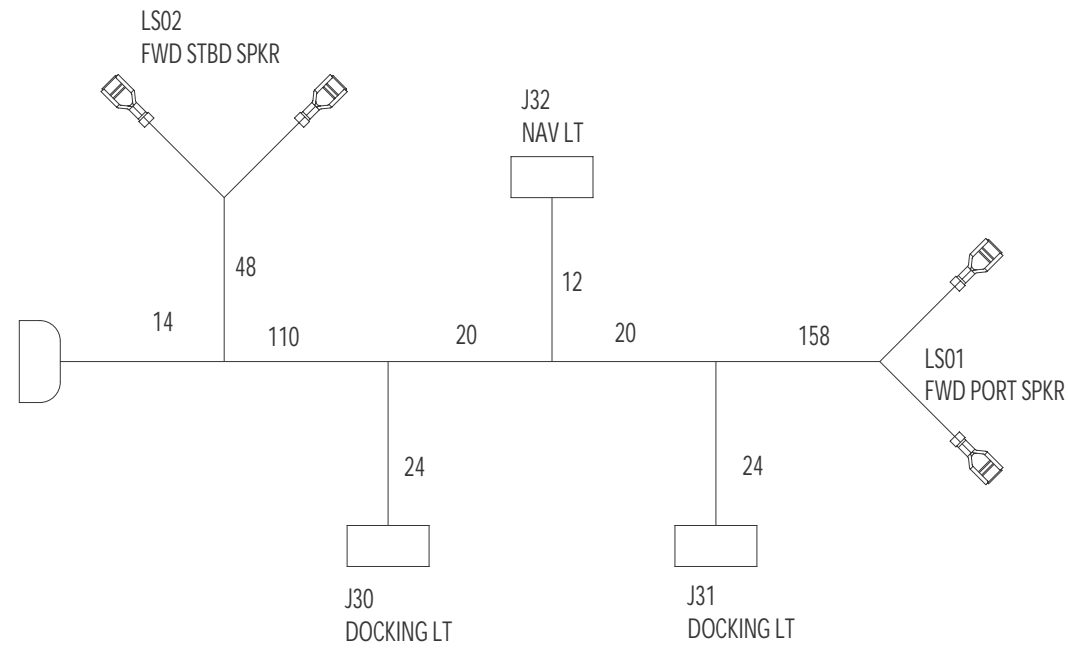
FOUR WINNS WIRE LIST

COLOR	GA	FIRST	PIN	TERM	NOTE	SECOND	PIN	TERM	NOTE	FUNCTION
PUR	16	J01	2	42	-	M01	I	08	SA	TRIM GA POWER
PUR	16	M01	I	08	SA	M02	I	08	SB	WATER TEMP GA POWER
PUR	16	M02	I	08	SB	M03	I	08	SC	OIL PRESS GA POWER
PUR	16	M03	I	08	SC	M04	BATT	08	SD	TACH POWER
PUR	16	M04	BATT	08	SD	M06	I	08	SE	VOLTMETER POWER
PUR	16	M06	I	08	SE	M07	I	08	SF	FUEL GA POWER
PUR	16	M07	I	08	SF	J02	2	42	-	DEPTH GA POWER
BLK	16	J01	1	42	-	M01	GND	08	SG	TRIM GA GND
BLK	16	M01	GND	08	SG	M02	GND	08	SH	WATER TEMP GA GND
BLK	16	M02	GND	08	SH	M03	GND	08	SI	OIL PRESS GA GND
BLK	16	M03	GND	08	SI	M04	GND	08	SJ	TACHOMETER GND
BLK	16	M04	GND	08	SJ	M05	GND	02	SK	SPEEDOMETER GND
BLK	16	M05	GND	08	SK	M06	GND	08	SAL	VOLTMETER GND
BLK	16	M06	GND	08	SL	M07	GND	08	SM	FUEL GA GND
BLK	16	M07	GND	08	SM	J02	1	42	-	DEPTH GA GND
BLU	16	J01	3	42	-	M01	LT	02	SN	TRIM GA LT
BLU	16	M01	LT	02	SN	M02	LT	02	SO	WATER TEMP GA LT
BLU	16	M02	LT	02	SO	M03	LT	02	SP	OIL PRESS GA LT
BLU	16	M03	LT	02	SP	M04	LT	02	SQ	TACHOMETER GA LIGHT
BLU	16	M04	LT	02	SQ	M05	LT	02	SR	SPEEDOMETER GA LIGHT
BLU	16	M05	LT	02	SR	M06	LT	02	SS	VOLTMETER LT
BLU	16	M06	LT	02	SS	M07	LT	02	-	FUEL GA LT
GRA	16	J01	4	42	-	M04	S	08	-	TACHOMETER SIGNAL
TAN	16	J01	5	42	-	M02	S	08	-	WATER TEMP SIGNAL
LT BLU	16	J01	6	42	-	M03	S	08	-	OIL PRESS SIGNAL
PUR/WHT	16	J01	7	42	-	M01	S	08	-	TRIM GA SIGNAL
PNK	16	J01	8	42	-	M07	S	08	-	FUEL GA SIGNAL





P19
HELM/FWD SYSTEMS
9P



FOUR WINNS PARTS LIST

ITEM	PART NUMBER	QUANTITY	DESCRIPTION	FUNCTION	MANUFACTURER
	028-0112	2	TERM,FASTON, .110,18-14	27	AMP
	028-0390	8	PIN,UMNL,18-14	41	AMP
	028-0454	6	SOCKET,UMNL,18-14	42	AMP
	028-1288	2	FASTON, .205,18-14	63	AMP
J30	028-0441	12	RECEPT,UMNL,2 CKT	DOCKING LT	AMP
J31	028-0441	1	RECEPT,UMNL,2 CKT	DOCKING LT	AMP
J32	028-0441	1	RECEPT,UMNL,2 CKT	NAV LT	AMP
LS01		REF	SPEAKER	FWD PORT SPKR	
LS02		REF	SPEAKER	FWD STBD SPKR	
P19	028-0449	1	PLUG,UMNL,9 CKT		AMP

FOUR WINNS WIRE LIST

COLOR	GA	FIRST	PIN	TERM	NOTE	SECOND	PIN	TERM	NOTE	FUNCTION
BLK	16	P19	1	41	BA	J32	1	42		NAV LT RET
GRA/GRN	16	P19	2	41	BA	J32	2	42		NAV LT
BLK	14	P19	3	41		J30	1	42	SA	DOCKING LT
GRA/LT BLU	14	P19	4	41		J30	2	42	SB	DOCKING LT
BLK/RED	16	P19	5	41	BB	LS01	-	27		FWD PORT SPKR RET
RED	16	P19	6	41	BB	LS01	+	63		FWD PORT SPKR
BLK/GRN	16	P19	7	41	BC	LS02	-	27		FWD STBD SPKR RET
GRN	16	P19	8	41	BC	LS02	+	63		FWD STBD SPKR
BLK	14	J30	1	42	SA	J31	1	42		DOCKING LT
GRA/LT BLU	14	J30	2	42	SB	J31	2	42		DOCKINT LT

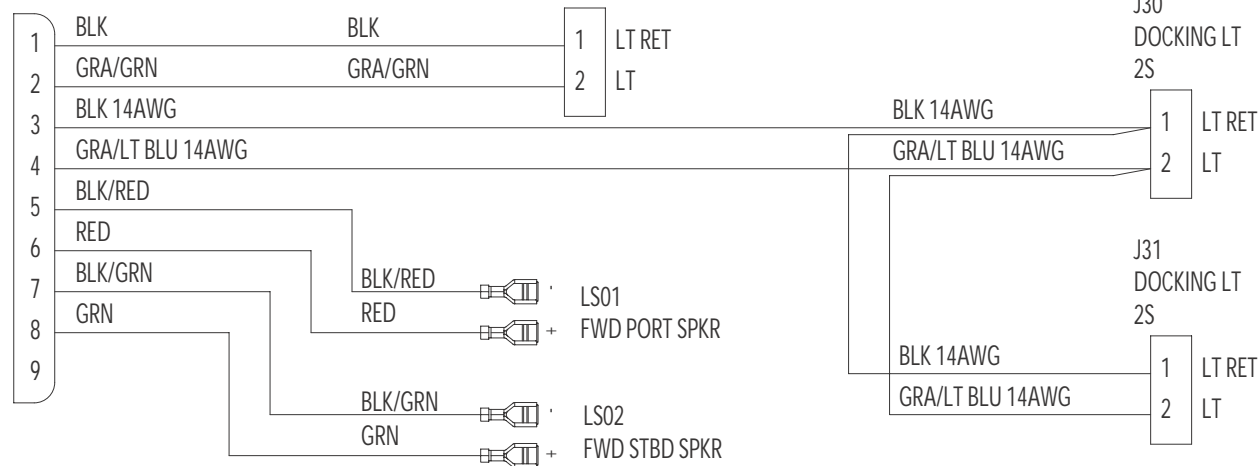
P19
HELM/FWD SYSTEMS
9P

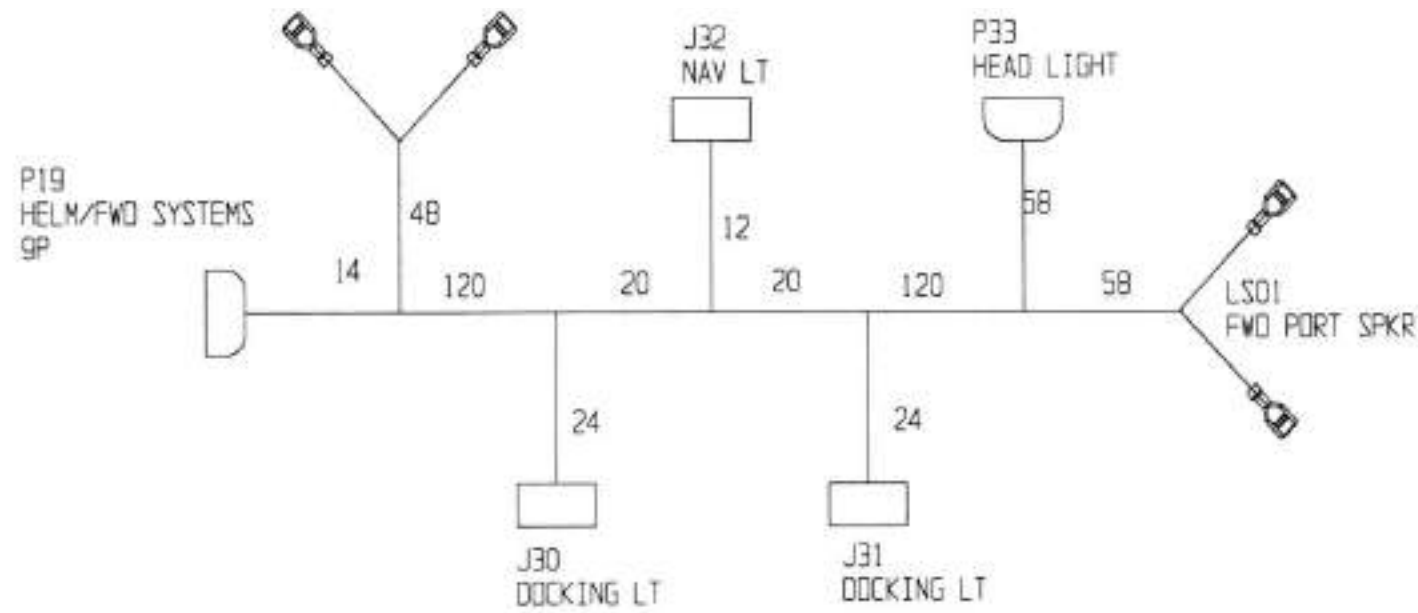
J32
NAV LT
2S

J30
DOCKING LT
2S

J31
DOCKING LT
2S

NAV LT RET
NAV LT
DOCKING LT RET
DOCKING LT
FWD PORT SPKR RET
FWD PORT SPKR
FWD STBD SPKR RET
FWD STBD SPKR
NOT USED





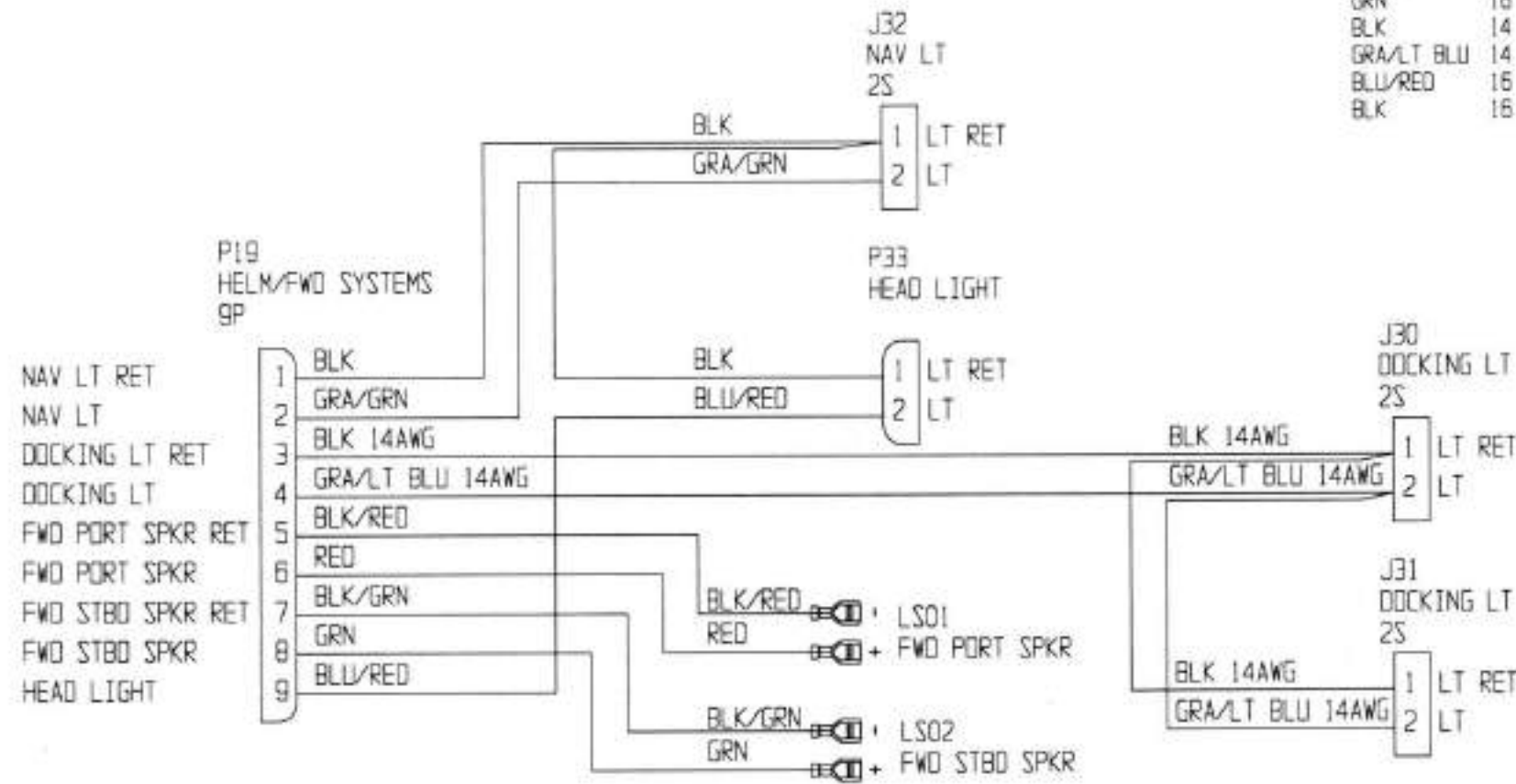
J30	028-0112
J31	028-0390
J32	028-0454
LS01	028-0159
LS02	028-1288
P19	028-0441
P33	028-0441
	028-0449
	028-0161

2	TERM,FASTON, .110,18-14
9	PIN,UMNL,18-14
6	SOCKET,UMNL,18-14
2	SOCKET,CMNL,20-14
2	FASTON, .205,18-14
12	RECEPT,UMNL,2 CKT
1	RECEPT,UMNL,2 CKT
1	RECEPT,UMNL,2 CKT
REF	SPEAKER
REF	SPEAKER
1	PLUG,UMNL,9 CKT
1	PLUG,CMNL,2 CKT

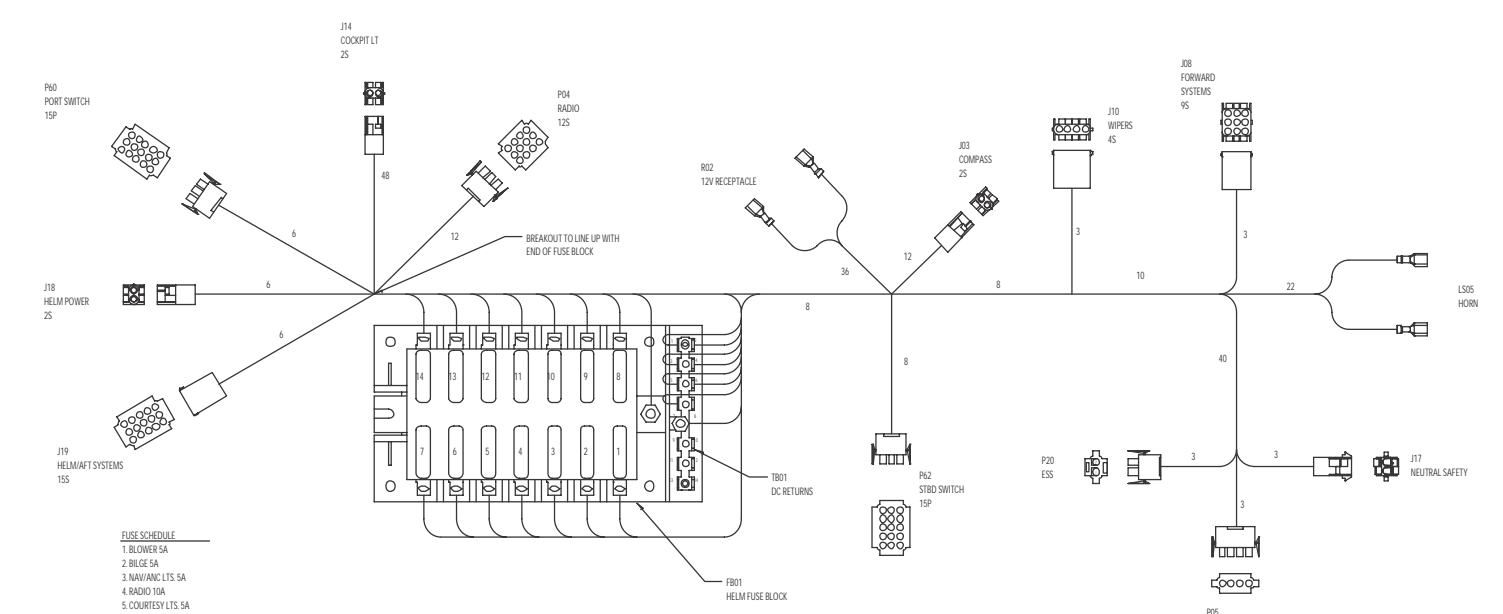
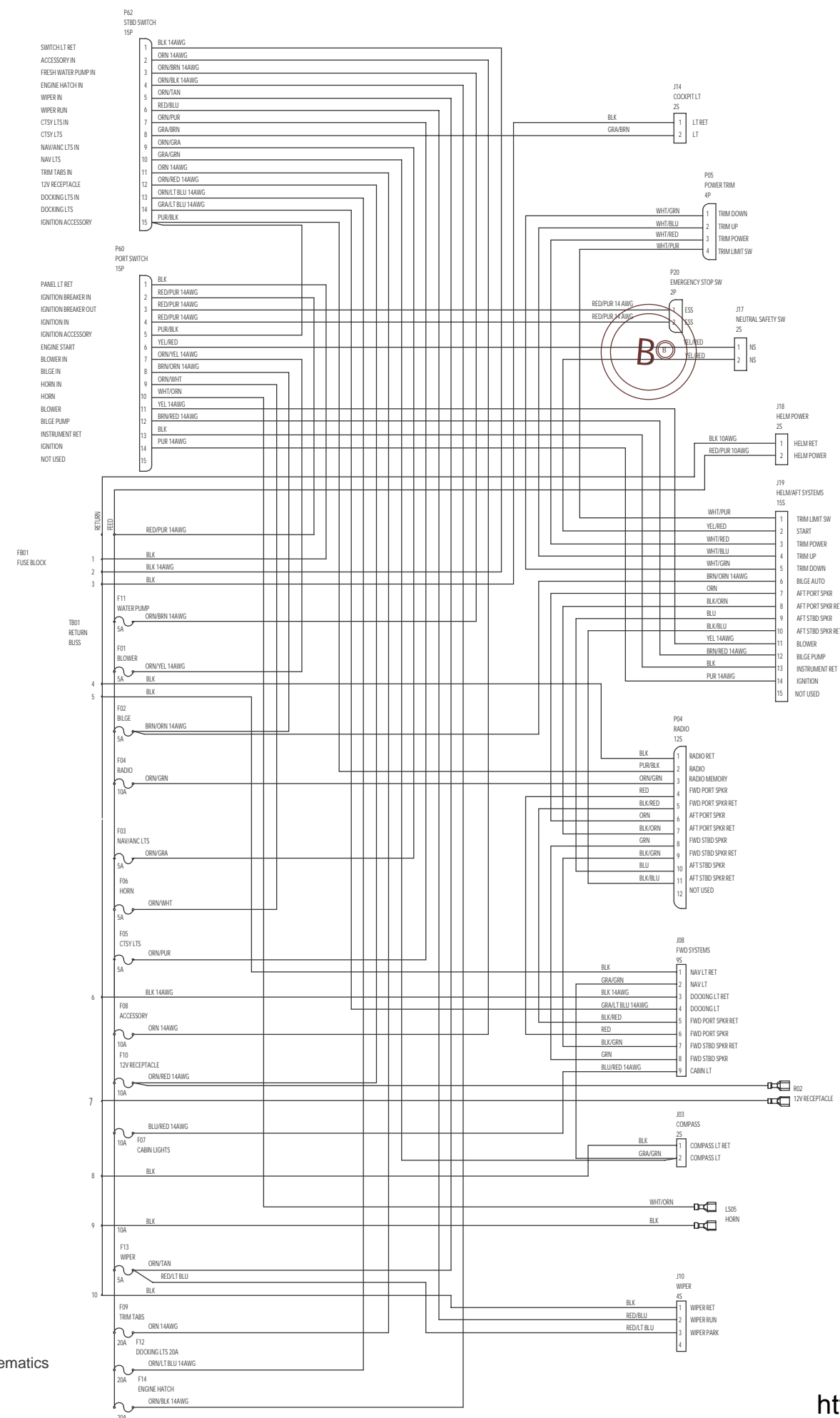
27	AMP
41	AMP
42	AMP
45	AMP
63	AMP
	DOCKING LT
	DOCKING LT
	NAV LT
	FWD PORT SPKR
	FWD STBD SPKR
	HELM/FWD SYSTEMS
	HEAD LT
	AMP
	AMP

FOUR WINNS WIRE LIST

COLOR	GA	FIRST	PIN	TERM	NOTE	SECOND	PIN	TERM	NOTE	FUNCTION
BLK	16	P19	1	41	BA	J32	1	42	SC	NAV LT RET
GRA/GRN	16	P19	2	41	BA	J32	2	42		NAV LT
BLK	14	P19	3	41		J30	1	42	SA	DOCKING LT
GRA/LT BLU	14	P19	4	41		J30	2	42	SB	DOCKING LT
BLK/RED	16	P19	5	41	BB	LS01	-	27		FWD PORT SPKR RE
RED	16	P19	6	41	BB	LS01	+	63		FWD PORT SPKR
BLK/GRN	16	P19	7	41	BC	LS02	-	27		FWD STBD SPKR RE
GRN	16	P19	8	41	BC	LS02	+	63		FWD STBD SPKR
BLK	14	J30	1	42	SA	J31	1	42		DOCKING LT
GRA/LT BLU	14	J30	2	42	SB	J31	2	42		DOCKING LT
BLU/RED	16	P19	9	41		P33	2	45		HEAD LIGHT
BLK	16	J32	1	42	SC	P33	1	45		HEAD LIGHT RET



240/260 HORIZON MCM/VP FORWARD SYSTEMS HARNESS ASSEMBLY



FUSE SCHEDULE

1. BLOWER SA
2. BILGE SA
3. NAVI/AV LTS SA
4. RADIO 10A
5. COURTESY LTS SA
6. HORN SA
7. CABIN LTS 10A
8. ACCESSORY 10A
9. TRIM TABS 20A
10. 12V RECEPTACLE 10A
11. FRESH WATER PUMP SA
12. DOCKING LTS 20A
13. WIPER SA
14. ENGINE HATCH 20A

FOUR WINNS PARTS LIST

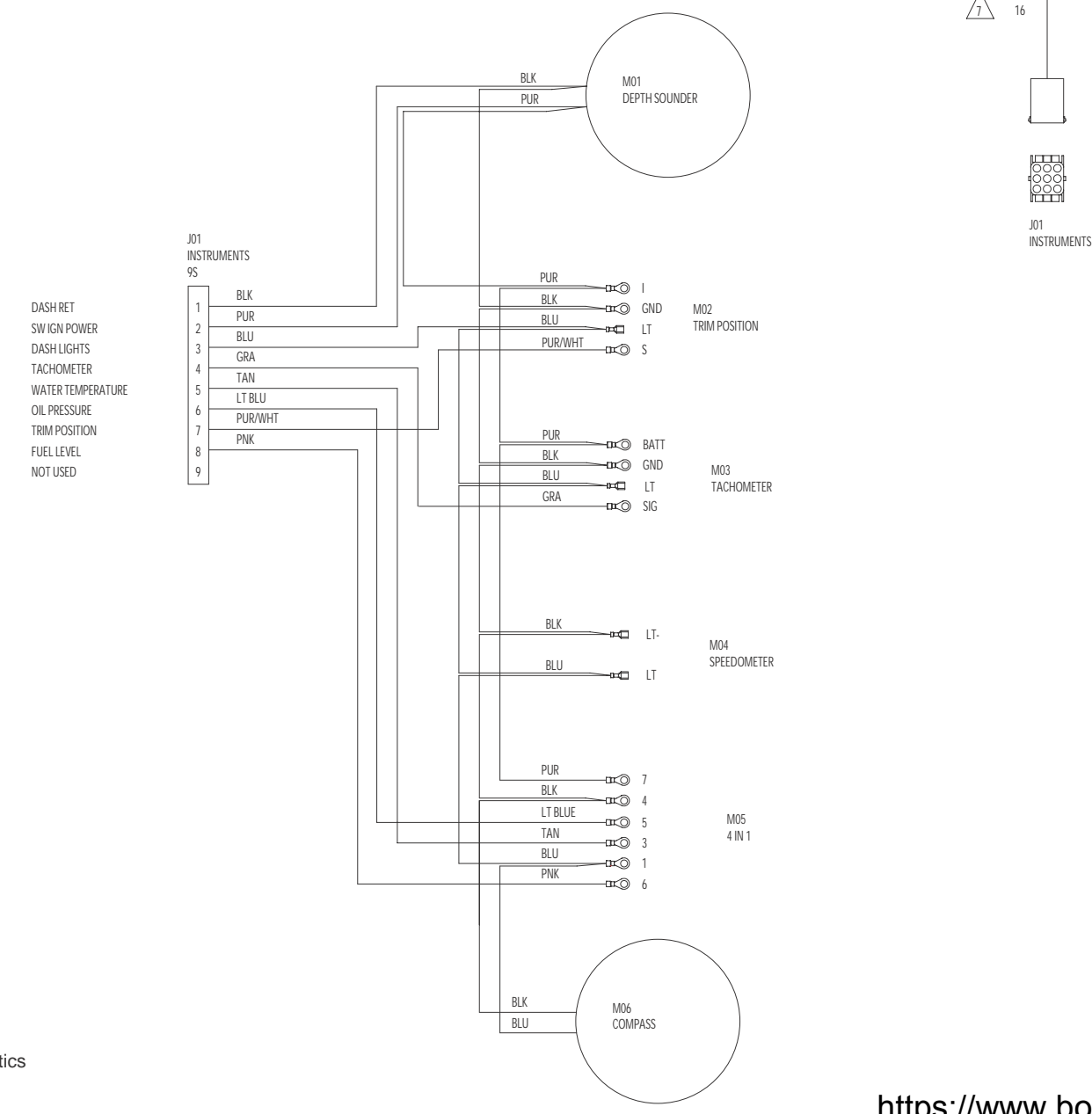
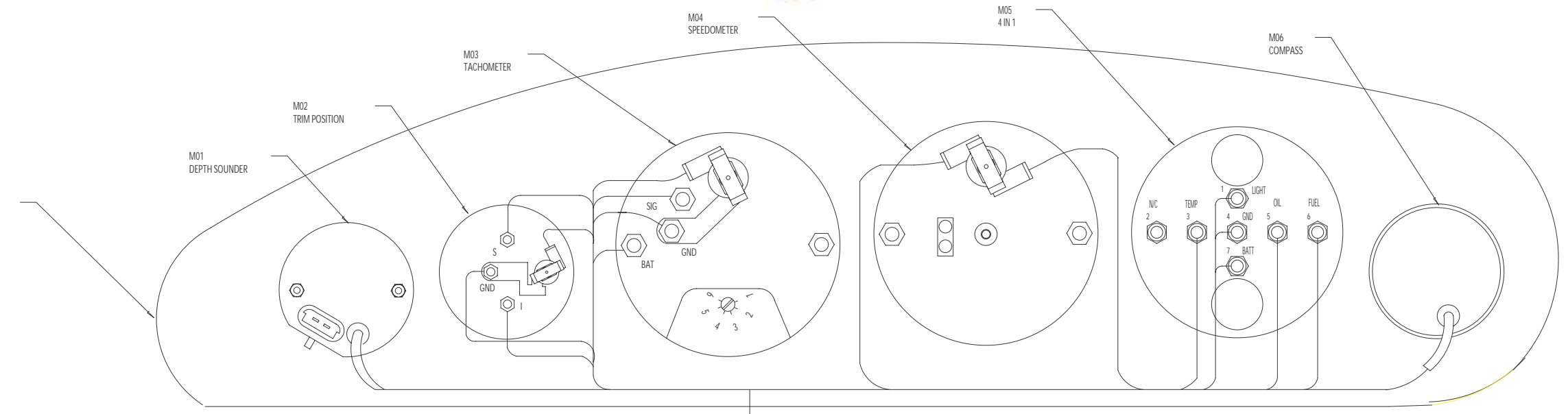
ITEM	PART NUMBER	QUANTITY	DESCRIPTION	FUNCTION	MANUFACTURER
	028-0177	27	TERMAFASTON 250.16-14	02	AMP
	028-1010	2	TERMA PNL 15A-16-14	03	AMP
	028-0219	2	TERMAFASTON WITAB 250.16-14	05	AMP
	028-0191	1	TERMARING #10.16-14	09	AMP
	028-0195	2	TERMARING #10.12-10	13	AMP
	028-0390	35	PIN/LIN/LIN 18-14	41	AMP
	028-0454	42	SOCKET UM/LIN 18-14	42	AMP
	028-0455	2	SOCKET UM/LIN 12-10	43	AMP
F01	028-0507	1	FUSE AT/C 5A	1	BLOWER
F02	028-0507	1	FUSE AT/C 5A	1	BILGE
F03	028-0507	1	FUSE AT/C 5A	1	NAVI/AV LTS
F04	028-0509	1	FUSE AT/C 10A	1	RADIO
F05	028-0507	1	FUSE AT/C 5A	1	COURTESY LTS
F06	028-0507	1	FUSE AT/C 5A	1	HORN
F07	028-0509	1	FUSE AT/C 10A	1	CABIN LTS
F08	028-0509	1	FUSE AT/C 10A	1	ACCESSORY
F09	028-0511	1	FUSE AT/C 20A	1	TRIM TABS
F10	028-0509	1	FUSE AT/C 10A	1	12V RECEPTACLE
F11	028-0509	1	FUSE AT/C 10A	1	FRESH WATER PUMP
F12	028-0509	1	FUSE AT/C 10A	1	DOCKING LTS
F13	028-0507	1	FUSE AT/C 5A	1	WIPER
F14	028-0511	1	FUSE AT/C 20A	1	ENGINE HATCH
FB01	028-0505	1	FUSE BLOCK 14 POS W/GROUND	1	HELM FUSE BLOCK
J03	028-0441	1	RECEPT UM/LIN 2 CXT	1	COMPASS LT
J08	028-0443	1	RECEPT UM/LIN 9 CXT	1	FWD SYSTEMS
J10	028-0442	1	RECEPT UM/LIN 4 CXT	1	WIPER
J14	028-0441	1	RECEPT UM/LIN 2 CXT	1	COCKPIT LT
J18	028-0441	1	RECEPT UM/LIN 2 CXT	1	HELM POWER
J19	028-0446	1	RECEPT UM/LIN 15 CXT	1	HELM/AFT SYSTEMS
LS05		REF	HORN/AFT		HORN
P04	028-0451	1	PLUG UM/LIN 12 CXT	1	RADIO
P05	028-0448	1	PLUG UM/LIN 4 CXT	1	POWER TRIM
P60	028-0452	1	PLUG UM/LIN 15 CXT	1	PORT SWITCH
P62	028-0452	1	PLUG UM/LIN 15 CXT	1	STBD SWITCH
J17	028-0441	1	RECEPT UM/LIN 2 CXT	1	NEUTRAL SAFETY SWITCH
P20	028-0447	1	PLUG UM/LIN 2 CXT	1	ESS SWITCH
TB01		REF	TERMINAL STRIP 14 POS		HELM RET
R02		REF	12V RECEPTACLE		12V ACC

FOUR WINNS WIRE LIST

COLOR	GA	FIRST	PIN	TERM	NOTE	SECOND	PIN	TERM	NOTE	FUNCTION
BLK	14	P62	1	41		TB01	2	02		SWITCH LT RET
ORN	14	P62	2	41		FB0	LOAD	02		ACCESSORY IN
ORN/BRN	14	P62	3	41		F11	LOAD	02		FRESH WATER IN
ORN/BLK	14	P62	4	41		F14	LOAD	02		ENGINE HATCH IN
ORN/TAN	16	P62	5	41		F13	LOAD	02	SD	WIPER IN
RED/BLU	16	P62	6	41		J10	2	42		WIPER RUN
ORN/PUR	16	P62	7	41		F05	LOAD	02		CTSY LTS IN
GRA/BRN	16	P62	8	41		J14	2	42		CTSY LTS
ORN/GRN	16	P62	9	41		F03	LOAD	02		NAVI/AV LTS IN
GRA/BRN	16	P62	10	41		J03	2	42		COMPASS LT
ORN	14	P62	11	41		F09	LOAD	02		TRIM TABS IN
ORN/RED	14	P62	12	41		F10	LOAD	02	SF	12V RECEPTACLE
ORN/LT BLU	14	P62	13	41		F12	LOAD	02		DOCKING LTS IN
GRA/BLK	16	P62	14	41		J08	4	42		DOCKING LTS
PUR/BLK	16	P62	15	41	SA	P60	5	41		IGNITION ACCESSORY
PUR/BLK	16	P62	15	41	SA	P04	2	42		STEREO
BLK	16	P60	1	41		TB01	1	02		SWITCH LT RET
RED/PUR	14	P60	2	41		F01	FEED	09		IGNITION BREAKER IN
RED/PUR	14	P60	3	41		P20	1	41		IGNITION IN
RED/PUR	14	P60	4	41		P20	2	41		IGNITION BREAKER OUT
RED/PUR	14	P60	4	41		J17	1	42		ENGINE START
YEL/RED	16	P60	6	41		J17	1	42		ENGINE START
ORN/YEL	14	P60	7	41		F01	LOAD	02		BLOWER IN
BRN/ORN	14	P60	8	41		F02	LOAD	02		BILGE IN
ORN/WHI	16	P60	9	41		F06	LOAD	02	SB	HORN IN
WHI/ORN	16	P60	10	41			+	02		HORN
BLK	10	J18	1	43			RET	13		HELM RET
RED/PUR	10	J18	2	43		FB01	FEED	13		HELM POWER
BLK	16	J14	1	42		TB01	3	02		CTSY LT RET
WHI/GRN	16	P05	1	41		J19	5	42		TRIM DOWN
WHI/BLU	16	P05	2	41		J19	4	42		TRIM UP
WHI/RED	16	P05	3	41		J19	3	42		TRIM POWER
YEL/RED	16	J17	2	42		J19	2	42		ENGINE START
WHI/PUR	16	P05	4	41		J19	1	42		TRIM LIMIT SW
BRN/ORN	14	J19	6	42		F02	LOAD	02	SB	AUTO BILGE
ORN	16	J19	7	42		P04	6	42		AFT PORT SPKR
BLK/ORN	16	J19	8	42		P04	7	42		AFT PORT SPKR RET
BLU	16	J19	9	42		P04	10	42		AFT STBD SPKR
BLK/BLU	16	J19	10	42		P04	11	42		AFT STBD SPKR RET
BLK	16	P04	1	41		TB01	4	02		RADIO RET
ORN/GRN	16	P04	3	41		F04	LOAD	02		RADIO MEMORY
RED	16	P04	4	41		J08	6	42		FWD PORT SPKR
BLK/RED	16	P04	5	41		J08	5	42		FWD PORT SPKR RET
GRN	16	P04	8	41		J08	7	42		FWD STBD SPKR
BLK	16	P04	9	41		J08	7	42		FWD STBD SPKR RET
BLK	16	J08	1	42		TB01	5	02		NAV LT RET
GRN	16	J03	2	42		J03	2	42	SC	NAV LT
BLK	14	J08	3	42		TB01	6	02		DOCKING LT RET
BLU/RED	14	J08	9	42		F07	LOAD	02		CABIN LT
BLK	16	LS05	-	02		TB01	8	02		COMPASS LT RET
BLK	16	J10	1	42		TB01	9	02		HORN RET
BLK	16	J10	1	42		TB01	10	02		WIPER RET
RED/LT BLU	16	J10	3	42		F13	LOAD	02	SD	WIPER PARK
ORN/RED	14	F10	-	02	SF	R02	+	02		12V RECEPTACLE
BLK	14	TB01	7	02			-	02		12V RECEPTACLE RET
YEL	14	P60	11	41		J19	11	42		BLOWER
BRN/RED	14	P60	12	41		J19	12	42		BILGE PUMP
BLK	16	P60	13	41		J19	13	42		INSTRUMENT RET
PUR	14	P60	14	41		J19	14	42		IGNITION



025-2938
PANEL BLANK GAUGE 214224FS BURL 112"



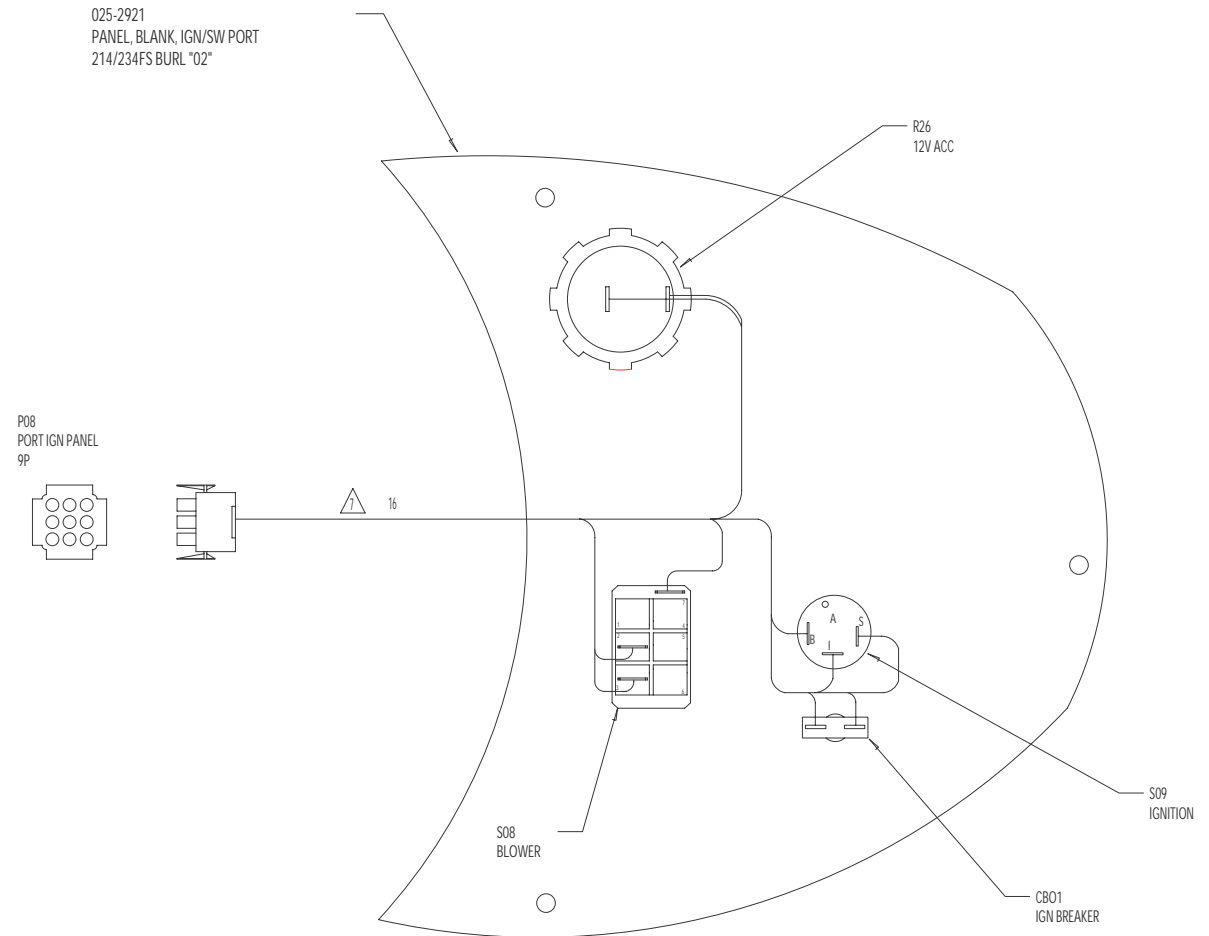
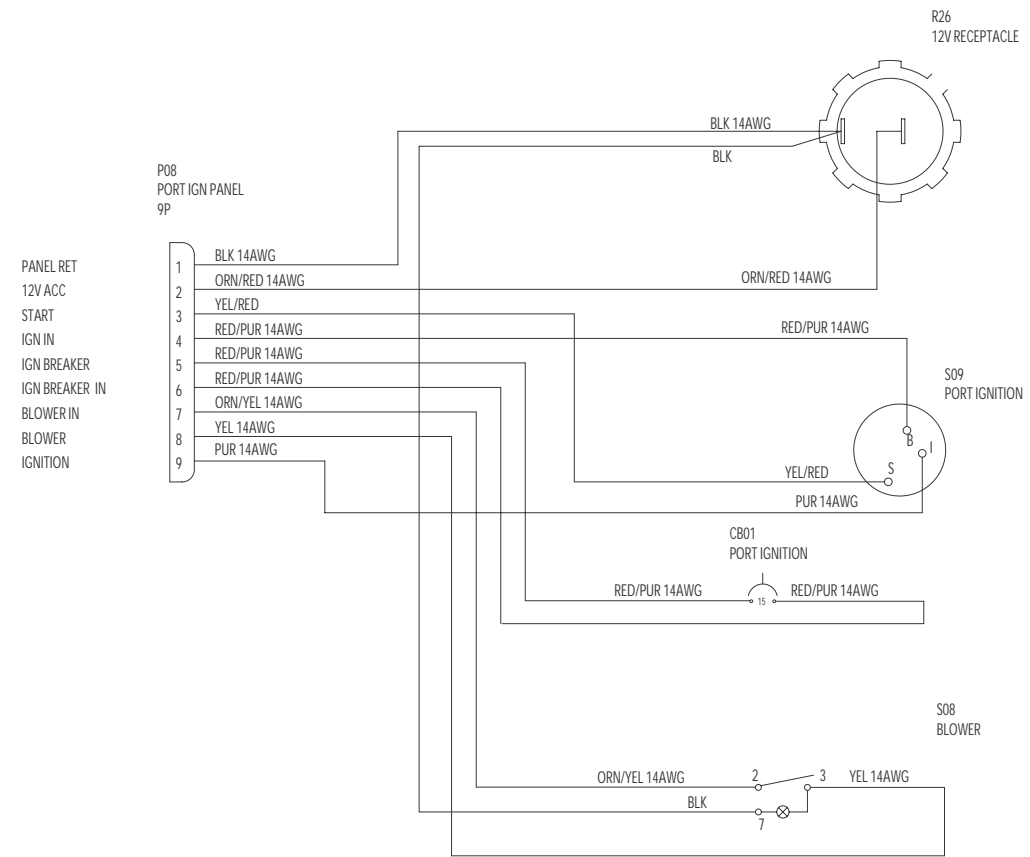
FOUR WINNS PARTS LIST

ITEM	PART NUMBER	QUANTITY	DESCRIPTION	FUNCTION	MANUFACTURER
	028-0177	4	RECEPTACLE,FASTON,250,16-14	02	AMP
	028-0189	13	TERMINAL,RING,PG.#8,16-14	08	AMP
	028-0390	2	PIN,UMNL,18-14	41	AMP
	028-0454	10	SOCKET,UMNL,18-14	42	AMP
	025-2938	1	PANEL,BLANK INSTR, BURL	-	-
J01	028-0443	1	RECEPT,UMNL, 9 CKT	INSTRUMENTS	AMP
J02	028-0441	1	RECEPT,UMNL, 2 CKT	DEPTH	AMP
P02	028-0447	1	PLUG, UMNL, 2 CKT	DEPTH	AMP
M01	028-1748	1	DEPTH GAUGE #DS0012	-	FARIA
M02	024-0508	1	TRIM POSITION GAUGE #GP7590	-	FARIA
M03	024-0505	1	TACHOMETER #TC9395	-	FARIA
M04	024-0501	1	SPEEDOMETER #SE9390	-	FARIA
M05	024-0503	1	4 IN 1 W/FUEL #GF0096	-	FARIA
M06	065-1369	1	COMPASS	-	RICHE

FOUR WINNS WIRE LIST

COLOR	GA	FIRST	PIN	TERM	NOTE	SECOND	PIN	TERM	NOTE	FUNCTION
PUR	16	J01	2	42	-	M01	PWR	51	SA	DEPTH POWER
PUR	16	M01	PUR	51	SA	M02	1	08	SB	TRIM GAUGE POWER
PUR	16	M02	1	08	SB	M03	BAT	08	SC	TACH POWER
PUR	16	M03	BAT	08	SC	M05	7	08	-	4 IN 1 POWER
BLK	16	J01	1	42	-	M01	GND	08	SG	DEPTH GND
BLK	16	M01	GND	08	SG	M02	GND	08	SH	TRIM GND
BLK	16	M02	GND	08	SH	M03	GND	08	SI	TACHOMETER GND
BLK	16	M03	GND	08	SI	M04	LT-	02	SJ	SPEEDO LT GND
BLK	16	M04	LT-	02	SJ	M05	4	08	SK	4 IN 1 GND
BLK	16	M05	4	08	SK	M06	LT-	51	-	COMPASS LT GND
BLU	16	J01	3	42	-	M02	LT	02	SL	TRIM GAUGE LT
BLU	16	M02	LT	02	SL	M03	LT	02	SM	TACHOMETER LT
BLU	16	M03	LT	02	SM	M04	LT	02	SN	SPEEDO LT
BLU	16	M04	LT	02	SN	M05	1	08	SO	4 IN 1 LT
BLU	16	M05	1	08	SO	M06	LT+	51	-	COMPASS LT
GRA	16	J01	4	42	-	M03	SIG	08	-	TACH SIGNAL
TAN	16	J01	5	42	-	M05	3	08	-	WATER TEMP SIGNAL
LT BLU	16	J01	6	42	-	M05	5	08	-	OIL PRESS SIGNAL
PUR/WHT	16	J01	7	42	-	M02	5	08	-	TRIM GA SIGNAL
PNK	16	J01	8	42	-	M05	6	08	-	FUEL GA SIGNAL

205/225/245 SUNDOWNER INSTRUMENT GAUGE PANEL ASSEMBLY



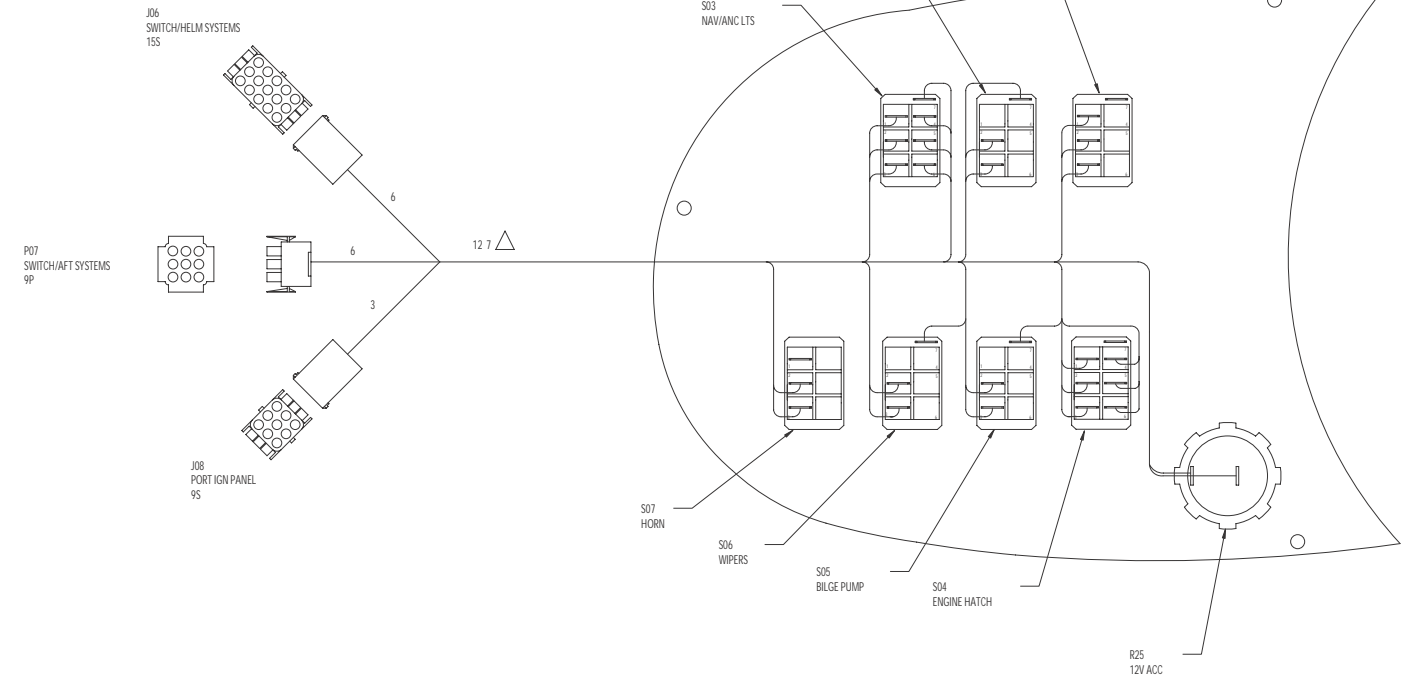
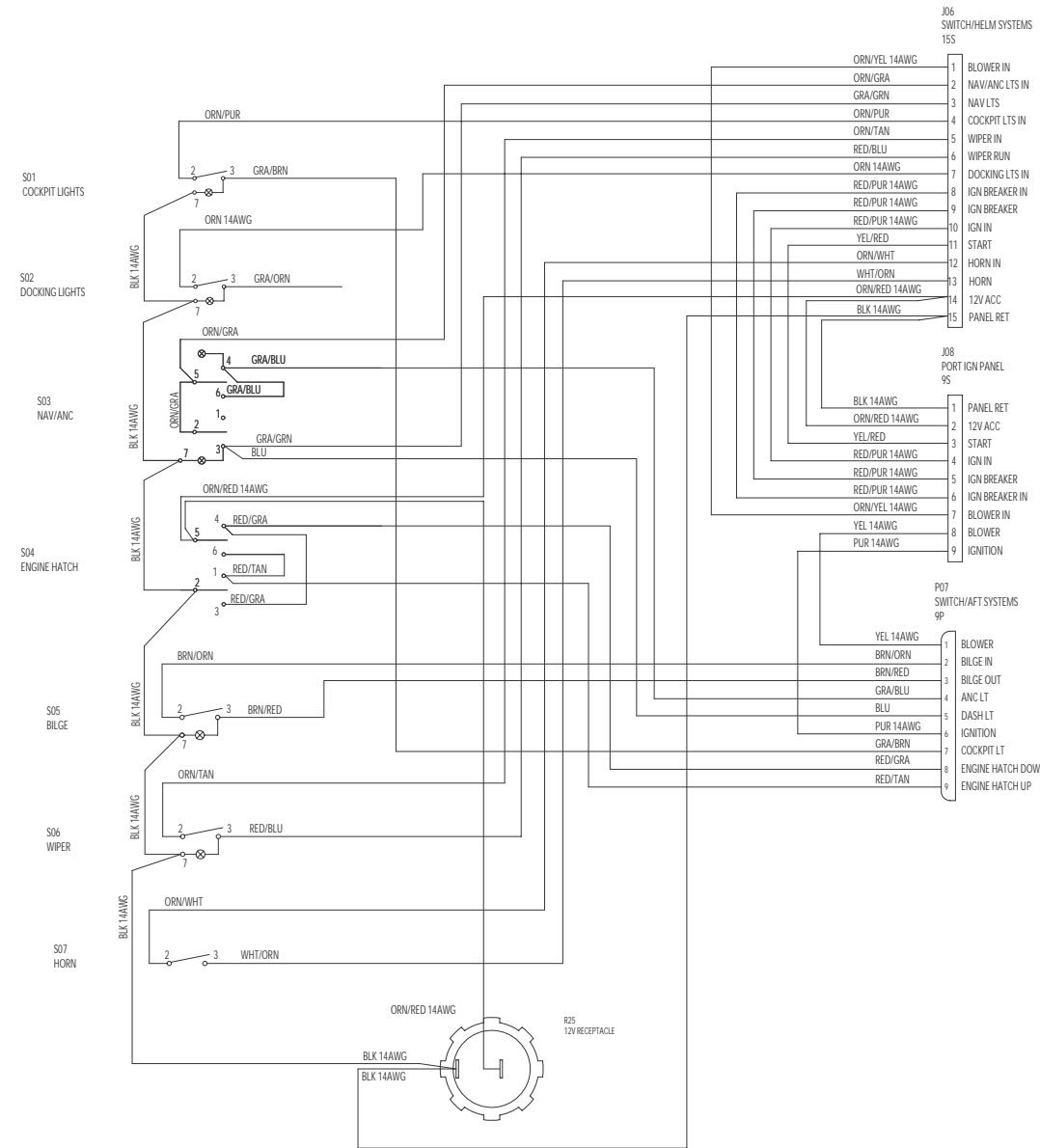
FOUR WINNS PARTS LIST

ITEM	PART NUMBER	QUANTITY	DESCRIPTION	FUNCTION	MANUFACTURER
	028-0177	10	TERM,FASTON,250,18-14	02	AMP
	028-0454	9	PIN,UMNL,18-14	41	AMP
	025-2921	1	PANEL,BLANK,IGNI/SW PORT		
P08	028-0449	1	PLUG,UMNL,9 CKT	PORT IGN PANEL	AMP
R26		1	RECEPT,12V AFI	12V RECEPTACLE	AFI
S08	028-0457	1	SWITCH,SPST,CONT III	BLOWER	CARL SW
CB01	028-0467	1	CKT BREAKER,15A	IGNITION BREAKER	MP
S09	028-1286	1	SWITCH,IGNITION,I/O	IGNITION SWITCH	GENERAL

FOUR WINNS WIRE LIST

COLOR	GA	FIRST	PIN	TERM	NOTE	SECOND	PIN	TERM	NOTE	FUNCTION
BLK	14	P08	1	41		R26	NEG	02	SA	12V ACC RET
ORN/RED	14	P08	2	41		R26	POS	02		12V ACC
YEL/RED	16	P08	3	41		S10	START	02		START
RED/PUR	14	P08	4	41		S10	BATT	02		IGN POWER
RED/PUR	14	P08	5	41		CB01	LINE	02		IGN BREAKER IN
RED/PUR	14	P08	6	41		CB01	LOAD	02		IGN BREAKER
ORN/YEL	14	P08	7	41		S08	2	02		BLOWER IN
YEL	14	P08	8	41		S08	3	02		BLOWER
PUR	14	P08	9	41		S10	IGN	02		IGNITION
BLK	14	R26	NEG	02	SA	S08	7	02		BLOWER SW LT RET

205/225/245 SUNDOWNER PORT SIDE IGNITION/SWITCH PANEL ASSEMBLY



FOUR WINNS PARTS LIST

ITEM	PART NUMBER	QUANTITY	DESCRIPTION	FUNCTION	MANUFACTURER
	028-0177	28	TERM.FASTON_250,18-14	02	AMP
	028-0390	9	PIN,UMNL,18-14	41	AMP
	028-0454	15	SOCKET,UMNL,18-14	42	AMP
	025-2923	1	PANEL,BLANK,IGN/SW STBD		
J06	028-0452	1	RECEPT,UMNL,15 CKT	SWITCH/HELM	AMP
J08	028-0443	1	RECEPT,UMNL,9 CKT	PORT IGN PANEL	AMP
P07	028-0449	1	PLUG,UMNL,9 CKT	SWITCH/AFT	AMP
R25		1	RECEPT,12V AFI	12V RECEPTACLE	AFI
S01	028-0457	1	SWITCH,SPST,CONT III	COCKPIT LTS	CARL SW
S02	028-0457	1	SWITCH,SPST,CONT III	DOCKING LIGHTS	CARL SW
S03	028-0504	1	SWITCH,DPDT,CONT III	NAV/ANC LTS	CARL SW
S04	028-0460	1	SWITCH,DPDT,(MOM) CONT III	ENGINE HATCH	CARL SW
S05	028-0457	1	SWITCH,SPST,CONT III	BILGE PUMP	CARL SW
S06	028-0457	1	SWITCH,SPST,CONT III	WIPER	CARL SW
S07	028-0186	1	SWITCH,SPST,(MOM) CONT III	HORN	CARL SW

FOUR WINNS WIRE LIST

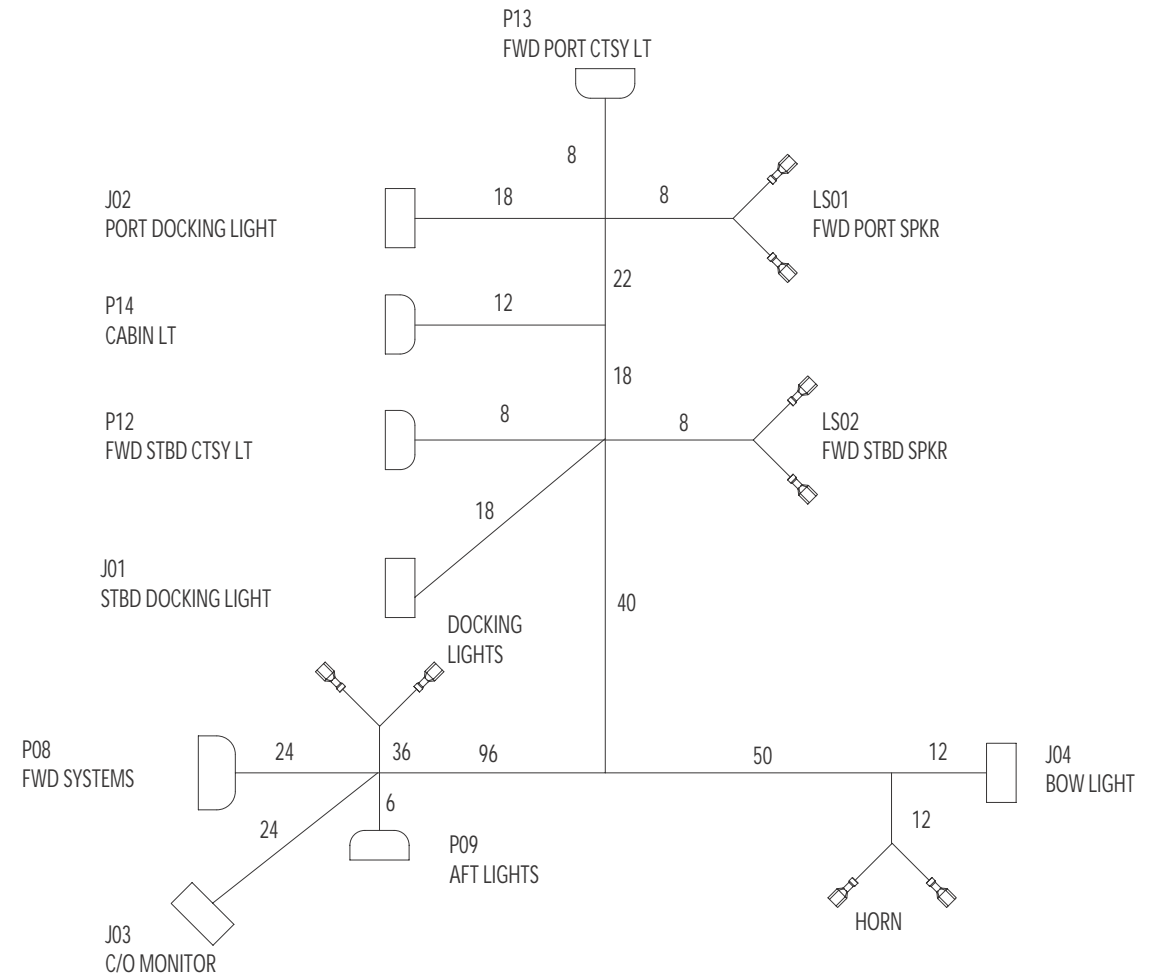
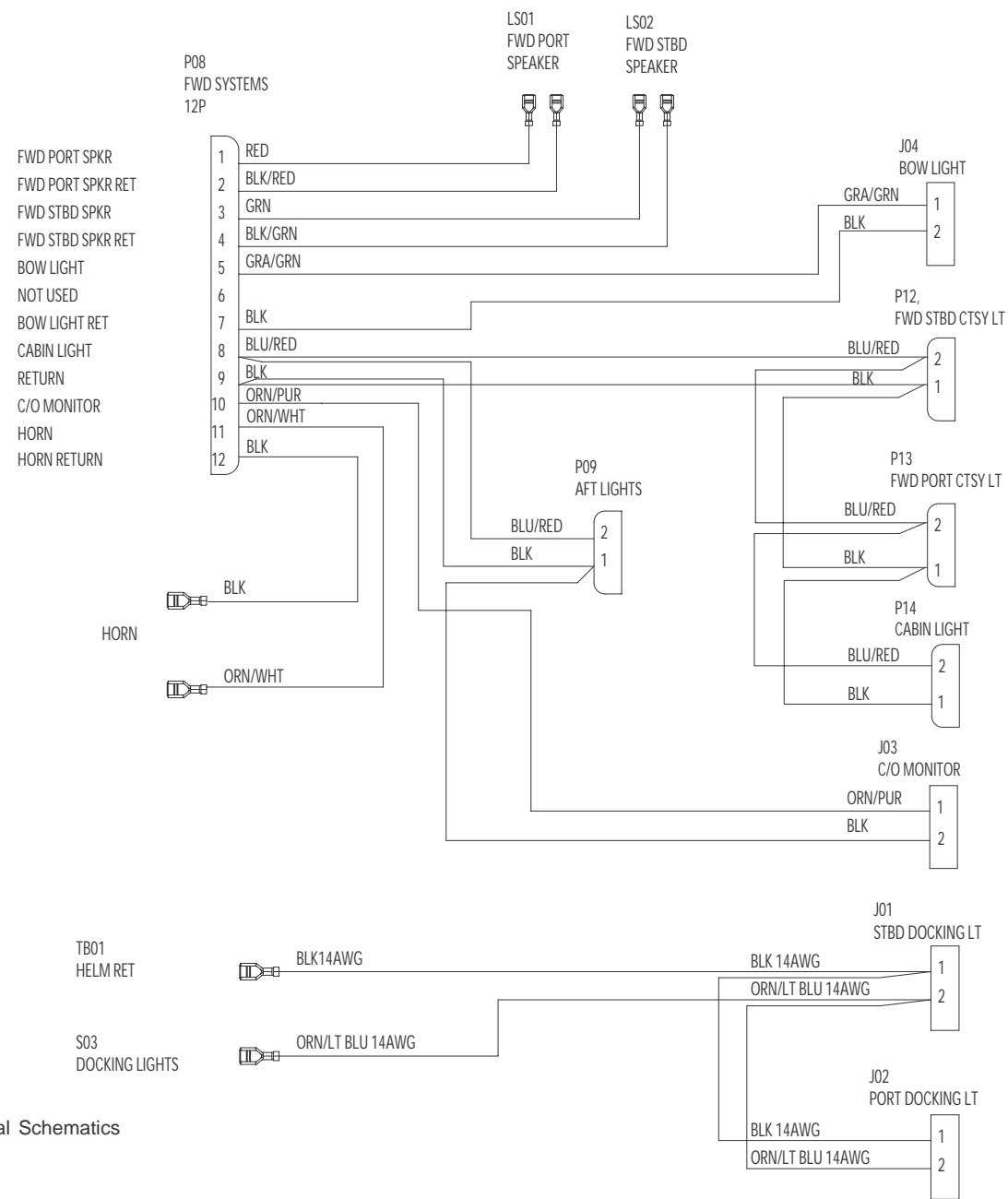
COLOR	GA	FIRST	PIN	TERM	NOTE	SECOND	PIN	TERM	NOTE	FUNCTION
ORN/YEL	14	J06	1	42		J08	7	42		BLOWER IN
ORN/GRA	16	J06	2	42		S03	5	02		NAV/ANC LTS IN
GRA/GRN	16	J06	3	42		S03	3	02	SC	NAV/LTS
ORN/PUR	16	J06	4	42		S01	2	02		COCKPIT LTS IN
ORN/TAN	16	J06	5	42		S06	2	02		WIPER IN
RED/BLU	16	J06	6	42		S06	3	02		WIPER RUN
ORN	14	J06	7	42		S02	2	02		DOCKING LTS IN
RED/PUR	14	J06	8	42		J08	6	42		IGN BREAKER IN
RED/PUR	14	J06	9	42		J08	5	42		IGN BREAKER
RED/PUR	14	J06	10	42		J08	4	42		IGN IN
YEL/RED	16	J06	11	42		J08	3	42		START
ORN/WHT	16	J06	12	42		S07	2	02		HORN IN
WHT/ORN	16	J06	13	42		S07	3	02		HORN
ORN/RED	14	J06	14	42	SA	J08	2	42		12V ACC
ORN/RED	14	J06	14	42	SA	S04	5	02	SD	ENGINE HATCH IN
BLK	14	J06	15	42	SB	J08	1	42		PANEL RET
BLK	14	J06	15	42	SB	R25	NEG	02	SG	PANEL RET
YEL	14	J08	8	42		P07	1	41		BLOWER
PUR	14	J08	9	42		P07	6	41		IGN
BRN/ORN	16	P07	2	41		S05	2	02		BILGE IN
BRN/RED	16	P07	3	41		S05	3	02		BILGE OUT
GRA/BLU	16	P07	4	41		S03	4	02		ANCHOR LT
BLU	16	P07	5	41		S03	3	02	SC	DASH LT
GRA/BRN	16	P07	7	41		S01	3	02		COCKPIT LT
RED/GRA	16	P07	8	41		S04	4	02	SE	ENGINE HATCH DOWN
RED/TAN	16	P07	9	41		S04	1	02	SF	ENGINE HATCH UP
RED/GRA	16	S04	4	02	SE	S04	3	02		ENGINE HATCH SW
RED/TAN	16	S04	1	02	SF	S04	6	02		ENGINE HATCH SW
ORN/RED	14	S04	5	02	SD	R25	POS	02		12V ACC
BLK	14	R25	NEG	02	SG	S06	7	02	SH	SW LT RET
BLK	14	S06	7	02	SH	S05	7	02	SI	SW LT RET
BLK	14	S05	7	02	SI	S04	2	02	SJ	SW LT RET
BLK	14	S04	2	02	SI	S03	7	02	SK	SW LT RET
BLK	14	S03	7	02	SK	S02	7	02	SL	SW LT RET
BLK	14	S02	7	02	SL	S01	7	02		SW LT RET

205/225/245 SUNDOWNER STBD SIDE IGNITION/SWITCH PANEL ASSEMBLY

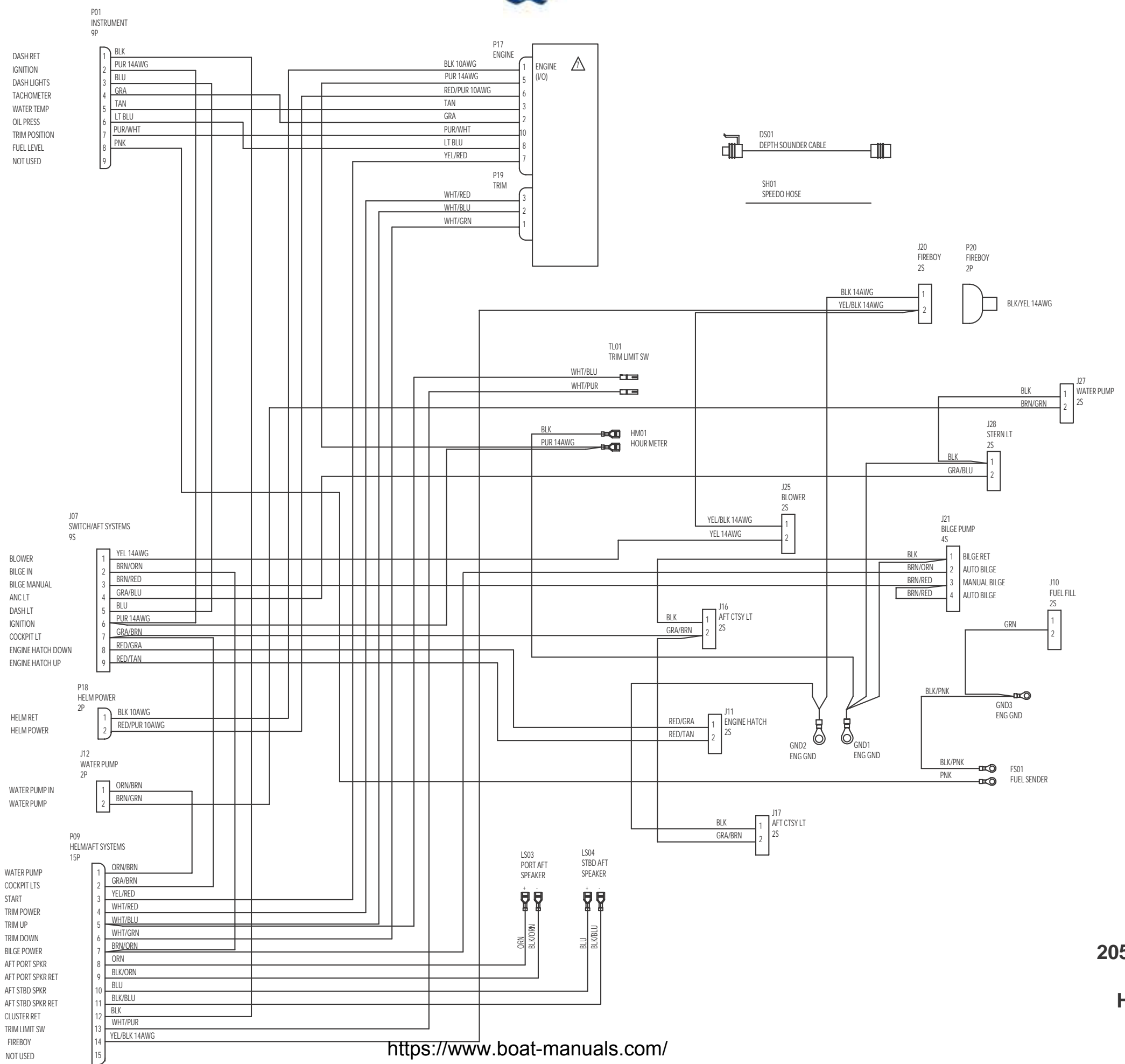


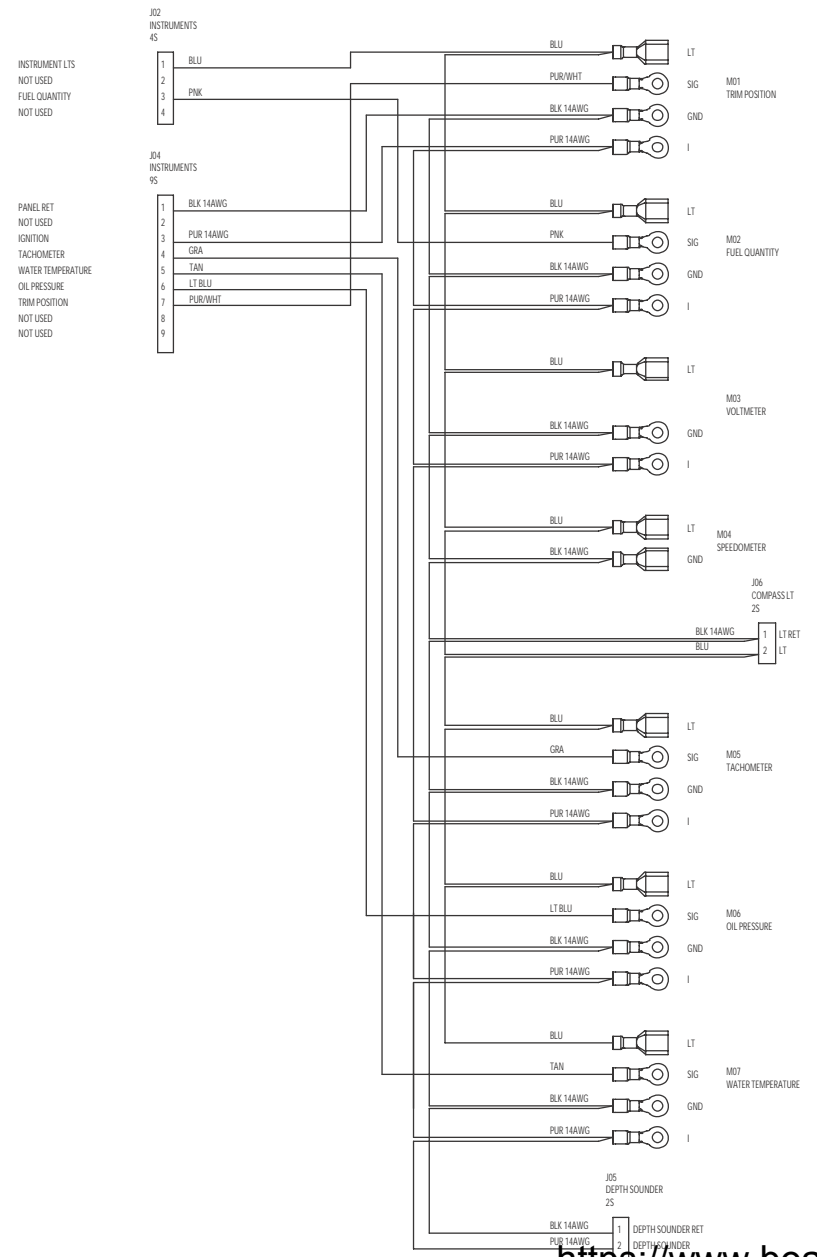
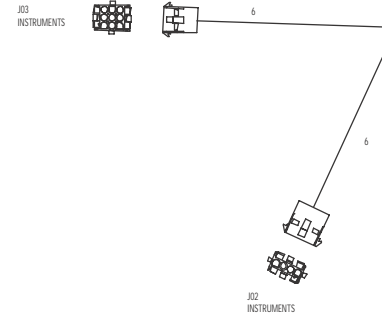
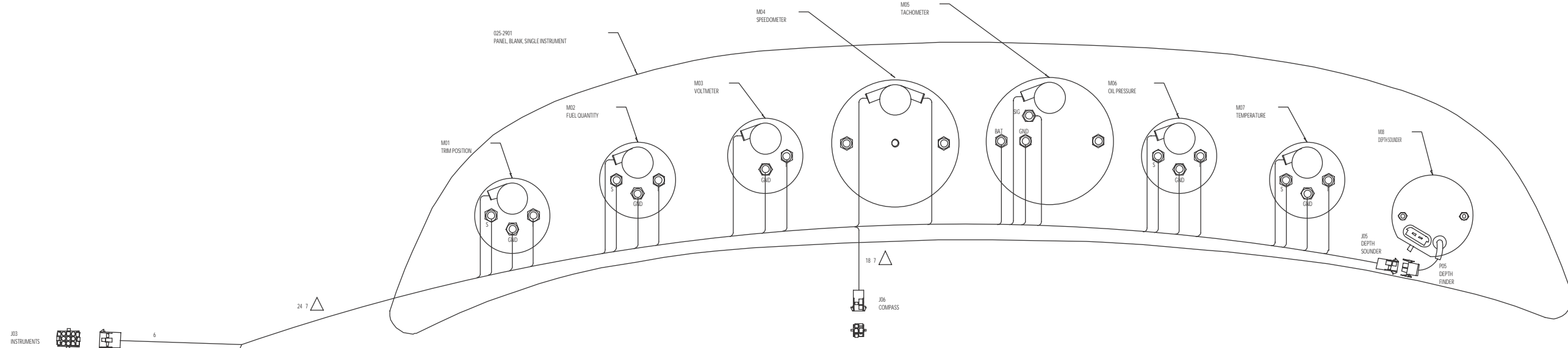
FOUR WINNS PARTS LIST

ITEM	PART NUMBER	QUANTITY	DESCRIPTION	FUNCTION	MANUFACTURER
	028-0177	4	RECEPT,FASTON.,250,18-14	02	AMP
	028-0112	2	RECEPT,FASTON.,110,18-14	27	AMP
	028-0390	19	PIN,UMNL,18-14	41	AMP
	028-0159	4	SOCKET,CMNL,16-14	45	AMP
	028-1288	2	RECEPT,FASTON.,205,18-14	63	AMP
LS01		REF	SPEAKER	FWD PORT SPKR	
LS02		REF	SPEAKER	FWD STBD SPKR	
P08	028-0451	1	PLUG,UMNL,12 CKT	FWD SYSTEMS	AMP
P09	028-0447	1	PLUG,UMNL,2 CKT	AFT LIGHT	AMP
P12	028-0161	1	PLUG,CMNL,2 CKT	FWD STBD CTSY LT	AMP
P13	028-0161	1	PLUG,CMNL,2 CKT	FWD PORT CTSY LT	AMP
LT01	026-0214	REF	LIGHT,NAV,2 MILE	NAV LIGHT	AMP
J01	028-0441	1	RECEPT,UMNL,2 CKT	DOCKING LTS	AMP
J02	028-0441	1	RECEPT,UMNL,2 CKT	DOCKING LTS	AMP
J03	028-0441	1	RECEPT,UMNL,2 CKT	C/O MONITOR	AMP
J04	028-0441	1	RECEPT,UMNL,2 CKT	BOW LIGHT	AMP
	028-0454	4	SOCKET,UMNL,18-14	43	AMP
P14	028-0161	1	PLUG,UMNL,2 CKT	CABIN LT	AMP



205/225/245 SUNDOWNER FORWARD SYSTEMS HARNESS ASSEMBLY





INSTRUMENT LITS
NOT USED
FUEL QUANTITY
NOT USED

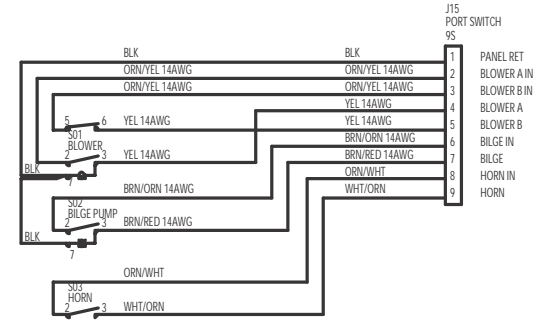
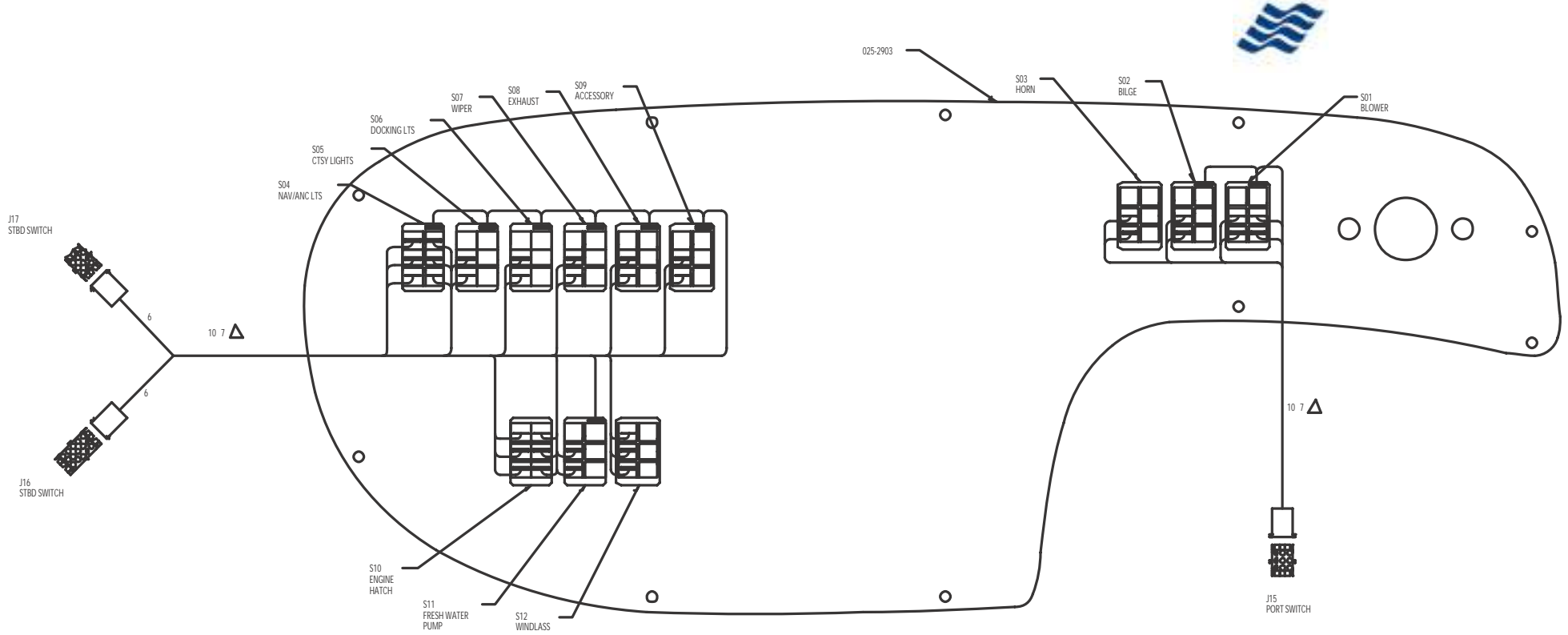
PANEL RET
NOT USED
IGNITION
TACHOMETER
WATER TEMPERATURE
OIL PRESSURE
TRIM POSITION
NOT USED
NOT USED

FOUR WINNS PARTS LIST

ITEM	PART NUMBER	QUANTITY	DESCRIPTION	FUNCTION	MANUFACTURER
	028-0177	8	TERM FASTON, 250, 16-14	02	AMP
	028-0191	17	TERM BRNG #10, 16-14	09	AMP
	028-0454	12	SOCKET UMNL, 18-14	42	AMP
	025-2901	1	PANEL, BLANK, SINGLE INSTRUMENT	BLANK	
J02	028-0442	1	RECEPT UMNL, 4 CXT	INSTRUMENTS	AMP
J04	028-0443	1	RECEPT UMNL, 9 CXT	INSTRUMENTS	AMP
J05	028-0441	1	RECEPT UMNL, 2 CXT	DEPTH SOUNDER	AMP
J06	028-0441	1	RECEPT UMNL, 2 CXT	COMPASS	AMP
POS	028-0447	1	PLUG UMNL, 2CXTX14, 48ND	DEPTH SOUNDER	AMP
M01	024-0508	1	GAUGE, TRIM, FARIA	TRIM POSITION	FARIA
M02	024-0511	1	GAUGE, FUEL, FARIA	FUEL QUANTITY	FARIA
M03	024-0510	1	GAUGE, VOLTMETER	VOLTMETER	FARIA
M04	024-0501	1	GAUGE, SPEEDOMETER	SPEEDOMETER	FARIA
M05	024-0505	1	GAUGE, TACHOMETER	TACHOMETER	FARIA
M06	024-0509	1	GAUGE, OIL PRESSURE	OIL PRESSURE	FARIA
M07	024-0507	1	GAUGE, WATER TEMPERATURE	WATER TEMPERATURE	FARIA
M08	028-1748	1	DEPTH SOUNDER, FARIA 2" #D50012	DEPTH GAUGE	FARIA

FOUR WINNS WIRE LIST

COLOR	GA	FIRST	PIN	TERM	NOTE	SECOND	PIN	TERM	NOTE	FUNCTION
BLU	16	J02	1	42		M01	LT	02		INST LITS
PNK	16	J02	3	42		M02	SIG	09		FUEL QUANTITY
BLK	14	J04	1	42		M01	GND	09		PANEL RET
PUR	14	J04	3	42		M01	I	09		SP
GRA	16	J04	4	42		M05	SIG	09		TACHOMETER
TAN	16	J04	5	42		M07	SIG	09		WATER TEMPERATURE
LT BLU	16	J04	6	42		M06	SIG	09		OIL PRESSURE
PUR/WHI	16	J04	7	42		M01	SIG	09		TRIM POSITION
BLU	16	M01	LT	02	SA	M02	LT	02		INST LT
BLU	16	M02	LT	02	SB	M03	LT	02		INST LT
BLU	16	M03	LT	02	SC	M04	LT	02		INST LT
BLU	16	M04	LT	02	SD	J06	2	42		INST LT
BLU	16	J06	2	42	SE	M05	LT	02		INST LT
BLU	16	M05	LT	02	SF	M06	LT	02		INST LT
BLU	16	M06	LT	02	SG	M07	LT	02		INST LT
BLK	14	M01	GND	09	SH	M02	GND	09		INST RET
BLK	14	M02	GND	09	SI	M03	GND	09		INST RET
BLK	14	M03	GND	09	SJ	M04	GND	09		INST RET
BLK	14	M04	GND	09	SK	J06	1	42		INST RET
BLK	14	J06	1	42	SL	M05	GND	09		INST RET
BLK	14	M05	GND	09	SM	M06	GND	09		INST RET
BLK	14	M06	GND	09	SN	M07	GND	09		INST RET
BLK	14	M07	GND	09	SO	J05	1	42		INST RET
PUR	14	M01	I	09	SP	M02	I	09		INST RET
PUR	14	M02	I	09	SQ	M03	I	09		INST RET
PUR	14	M03	I	09	SR	M05	I	09		INST RET
PUR	14	M05	I	09	SS	M06	I	09		INST RET
PUR	14	M06	I	09	ST	M07	I	09		INST RET
PUR	14	M07	I	09	SU	J05	2	42		INST RET

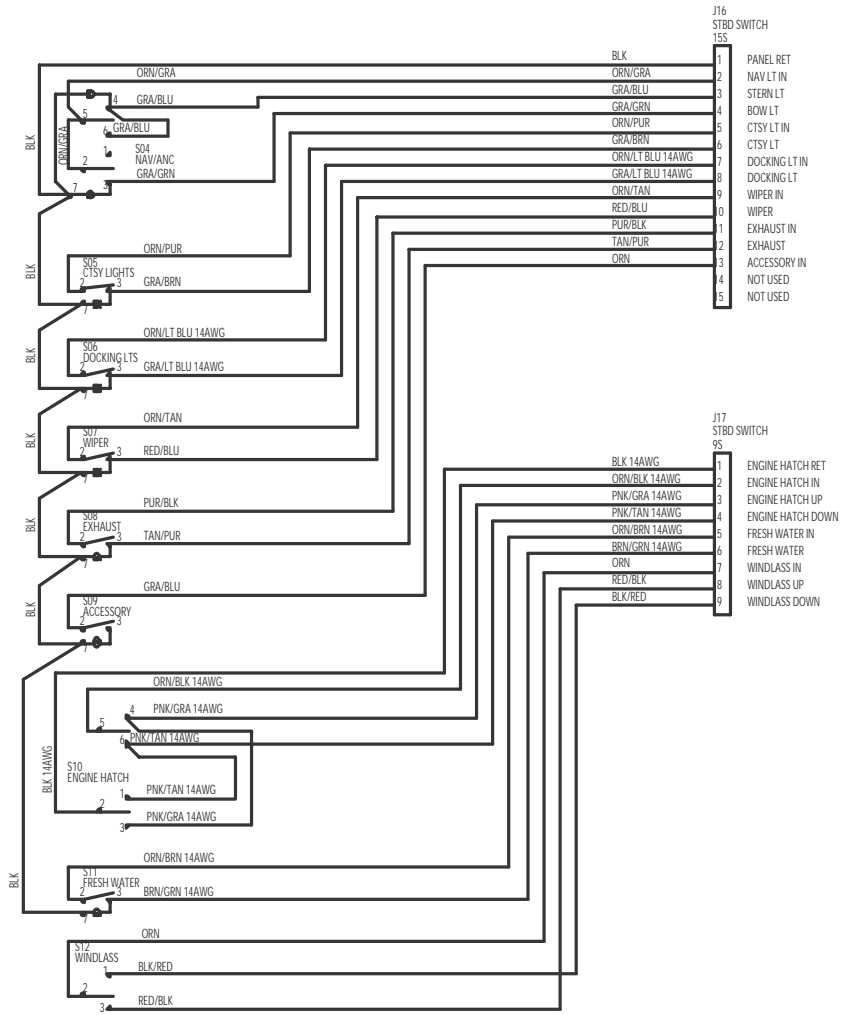


FOUR WINNS PARTS LIST

ITEM	PART NUMBER	QUANTITY	DESCRIPTION	FUNCTION	MANUFACTURER
	028-0177	42	RECEPT FASTON, 250/18-14	02	AMP
	028-0454	31	SOCKET UMNL, 18-14	42	AMP
	025-2903	1	PANEL BLANK SW, 280/285 "02" BURL		
J15	028-0443	1	RECEPT UMNL, 9 CKT	PORT SWITCH	AMP
J16	028-0446	1	RECEPT UMNL, 15 CKT	STBD SWITCH	AMP
J17	028-0443	1	RECEPT UMNL, 9 CKT	STBD SWITCH	AMP
S01	028-0458	1	SWITCH SPST, CONT III	BLOWER	CARL SW
S02	028-0457	1	SWITCH SPST, CONT III	BILGE	CARL SW
S03	028-0456	1	SWITCH SPST, (MOM), CONT III	HORN	CARL SW
S04	028-0504	1	SWITCH DPDT, CONT III	NAV/ANC LITS	CARL SW
S05	028-0457	1	SWITCH SPST, CONT III	CTSY LITS	CARL SW
S06	028-0457	1	SWITCH SPST, CONT III	DOCKING LITS	CARL SW
S07	028-0457	1	SWITCH SPST, CONT III	WIPER	CARL SW
S08	028-0457	1	SWITCH SPST, CONT III	EXHAUST	CARL SW
S09	028-0457	1	SWITCH SPST, CONT III	ACCESSORY	CARL SW
S10	028-0460	1	SWITCH SPST, (MOM), CONT III	ENGINE HATCH	CARL SW
S11	028-0457	1	SWITCH SPST, CONT III	FRESH WATER PUMP	CARL SW
S12	028-0469	1	SWITCH SPST, (MOM), CONT III	WINDLASS	CARL SW

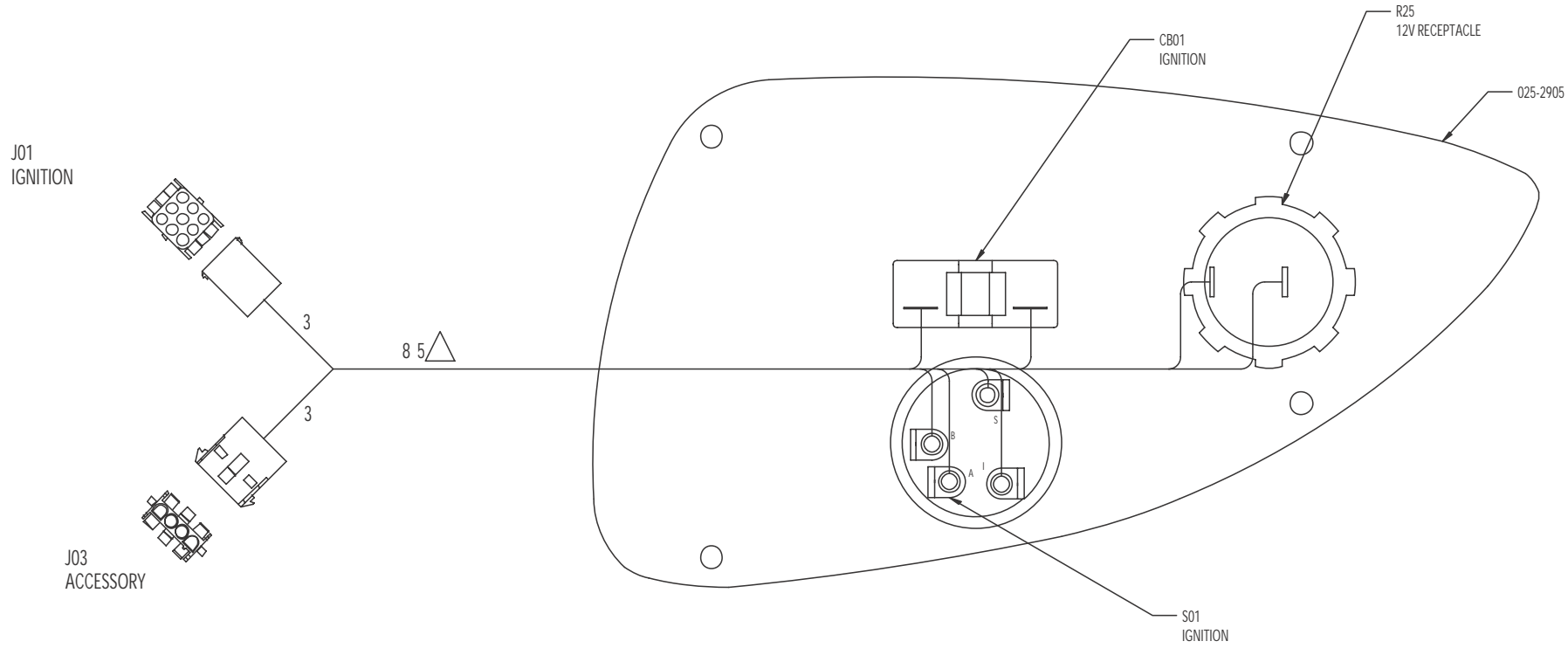
FOUR WINNS WIRE LIST

COLOR	GA	FIRST	PIN	TERM	NOTE	SECOND	PIN	TERM	NOTE	FUNCTION
BLK	16	J16	1	42		S04	7	02	SA	PANEL RET
ORN/GRA	16	J16	2	42		S04	5	02	SG	NAV LT IN
GRA/BLU	16	J16	3	42		S04	4	02		STERN LT
GRA/GRN	16	J16	4	42		S04	3	02		BOW LT
ORN/PUR	16	J16	5	42		S05	2	02		CTSY LT IN
GRA/BRN	16	J16	6	42		S05	3	02		CTSY LT
ORN/LT BLU	14	J16	7	42		S06	2	02		DOCKING LT IN
GRA/LT BLU	14	J16	8	42		S06	3	02		DOCKING LT
ORN/TAN	16	J16	9	42		S07	2	02		WIPER IN
RED/BLU	16	J16	10	42		S07	3	02		WIPER
PUR/BLK	16	J16	11	42		S08	2	02		EXHAUST IN
TAN/PUR	16	J16	12	42		S08	3	02		EXHAUST
ORN	16	J16	13	42		S09	2	02		ACCESSORY IN
BLK	14	J17	1	42		S10	2	02		ENGINE HATCH RET
ORN/BLK	14	J17	2	42		S10	5	02		ENGINE HATCH IN
PNK/GRA	14	J17	3	42		S10	4	02	SJ	ENGINE HATCH UP
PNK/TAN	14	J17	4	42		S10	6	02	SJ	ENGINE HATCH DOWN
ORN/BRN	14	J17	5	42		S11	2	02		FRESH WATER IN
BRN/GRN	14	J17	6	42		S11	3	02		FRESH WATER
ORN	16	J17	7	42		S12	2	02		WINDLASS IN
RED/BLK	16	J17	8	42		S12	3	02		WINDLASS UP
BLK/RED	16	J17	9	42		S12	1	02		WINDLASS DOWN
BLK	16	S04	7	02	SA	S05	7	02	SB	SWITCH LT RET
BLK	16	S05	7	02	SB	S06	7	02	SC	SWITCH LT RET
BLK	16	S06	7	02	SC	S07	7	02	SD	SWITCH LT RET
BLK	16	S07	7	02	SD	S08	7	02	SE	SWITCH LT RET
BLK	16	S08	7	02	SE	S09	7	02	SF	SWITCH LT RET
BLK	16	S09	7	02	SF	S11	7	02		SWITCH LT RET
ORN/GRA	16	S04	5	02	SG	S04	2	02		NAV LT JUMPER
GRA/BLU	16	S04	4	02	SH	S04	6	02		STERN LT JUMPER
PNK/GRA	14	S10	4	02	SI	S10	3	02		ENGINE HATCH UP JUMPER
PNK/TAN	14	S10	6	02	SJ	S10	1	02		ENGINE HATCH DOWN JUMPER
BLK	16	J15	1	42		S01	7	02		PANEL RET
ORN/YEL	14	J15	2	42		S01	2	02		BLOWER A IN
ORN/YEL	14	J15	3	42		S01	5	02		BLOWER B IN
YEL	14	J15	4	42		S01	3	02		BLOWER A
YEL	14	J15	5	42		S01	6	02		BLOWER B
BRN/ORN	14	J15	6	42		S02	2	02		BILGE IN
BRN/RED	14	J15	7	42		S02	3	02		BILGE
ORN/WHT	16	J15	8	42		S03	2	02		HORN IN
WHT/ORN	16	J15	9	42		S03	3	02		HORN
BLK	16	S01	7	02	SK	S02	7	02		SWITCH LT RET

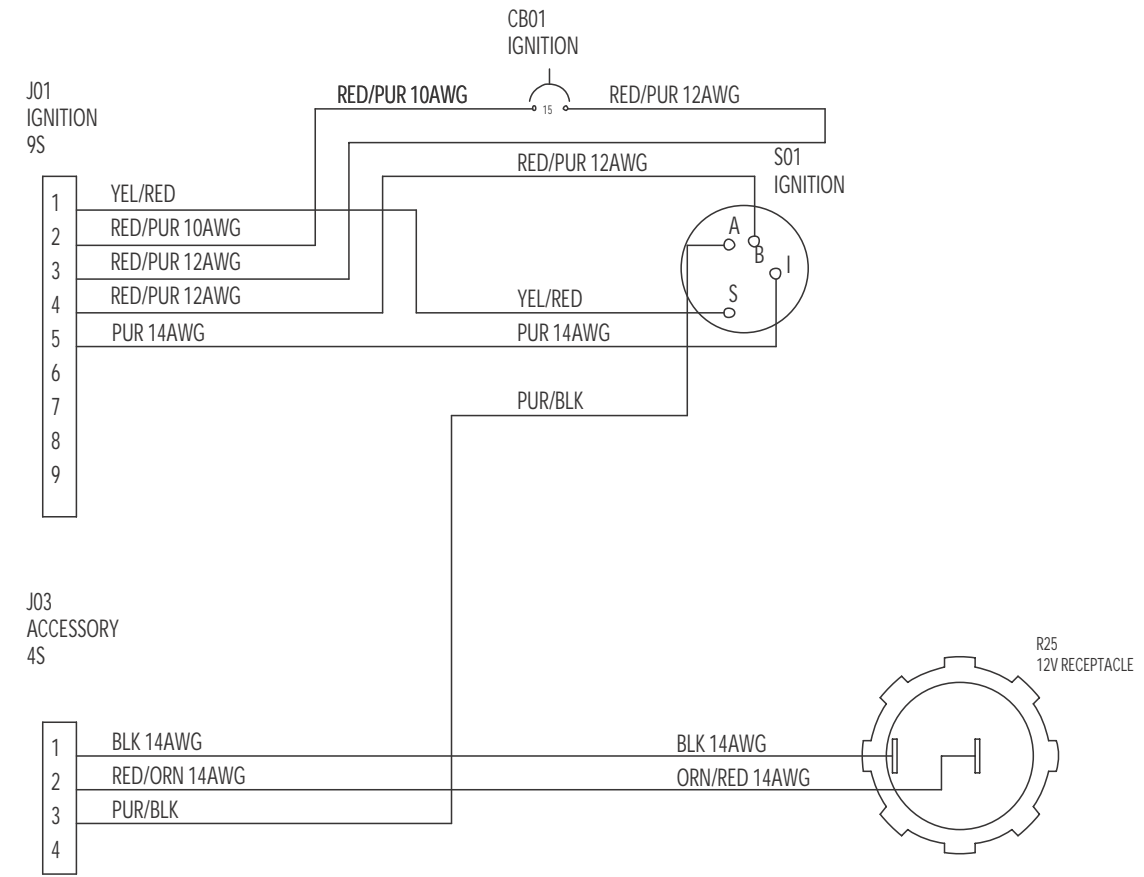


Electrical Schematics

**280H-285S
SWITCH
PANEL ASSEMBLY**
Page 3



START
IGNITION IN
IGNITION BREAKER
IGNITION BREAKER
IGNITION
NOT USED
NOT USED
NOT USED
NOT USED
NOT USED



12V RECEPTACLE RET
12V RECEPTACLE
IGNITION ACCESSORY
NOT USED

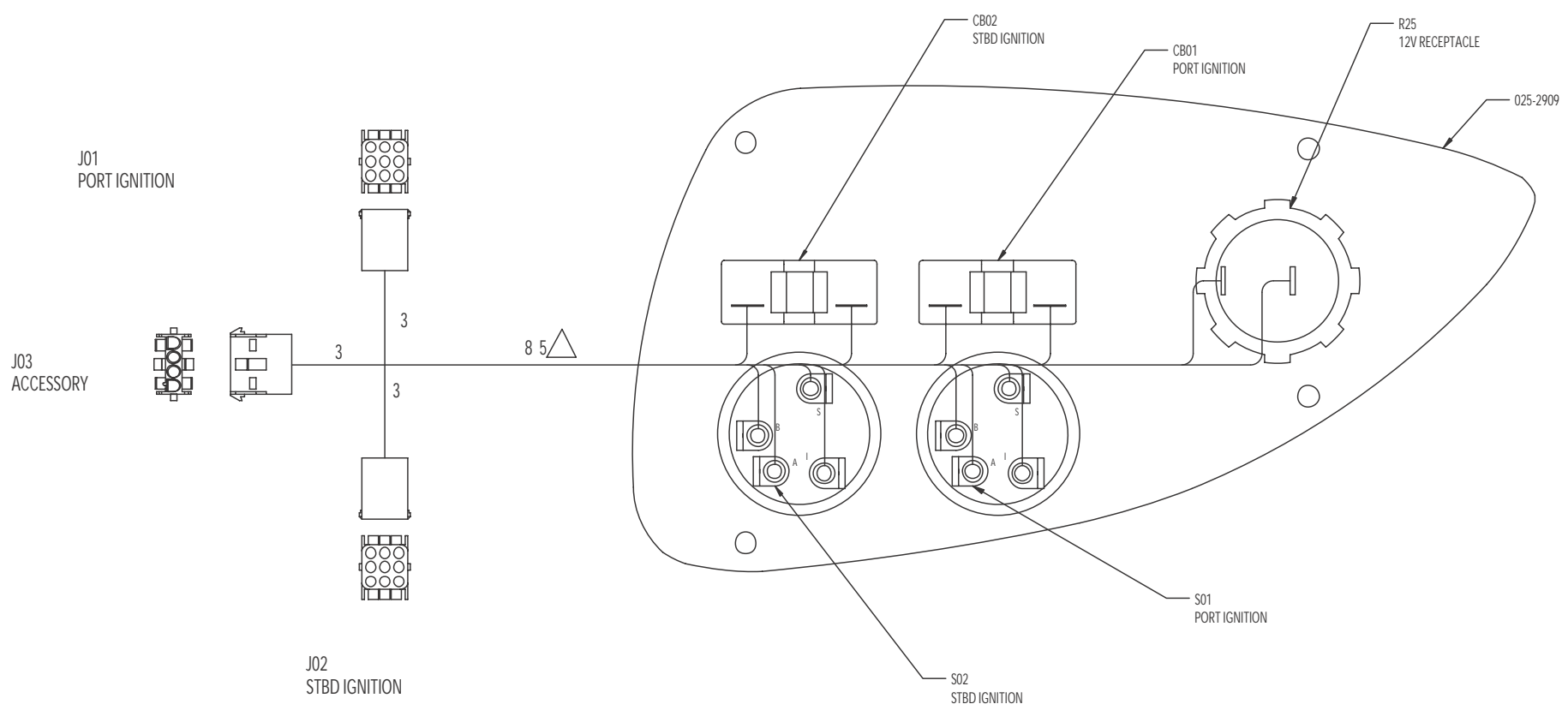
FOUR WINNS PARTS LIST

ITEM	PART NUMBER	QUANTITY	DESCRIPTION	FUNCTION	MANUFACTURER
	028-0177	5	TERM,FASTON,.250,18-14	02	AMP
	028-0179	3	TERM,FASTON,.250,12-10	07	AMP
	028-0454	5	SOCKET,UMNML,18-14	42	AMP
	028-0455	3	SOCKET,UMNML,12-10	43	AMP
	025-2905	1	PANEL,BLANK,SINGLE IGNITION	BLANK PANEL	
CB01	028-0467	1	BREAKER,15A	IGNITION BREAKER	MP
J01	028-0443	1	RECEPT,UMNML,9 CKT	IGNITION	AMP
J03	028-0442	1	RECEPT,UMNML,4 CKT	ACCESSORY	AMP
S01	028-1286	1	SWITCH,IGNITION W/ACCESSORY	IGNITION	GENERAL
R25	028-1100	1	RECEPT,12V AFI	12V RECEPTACLE	AFI

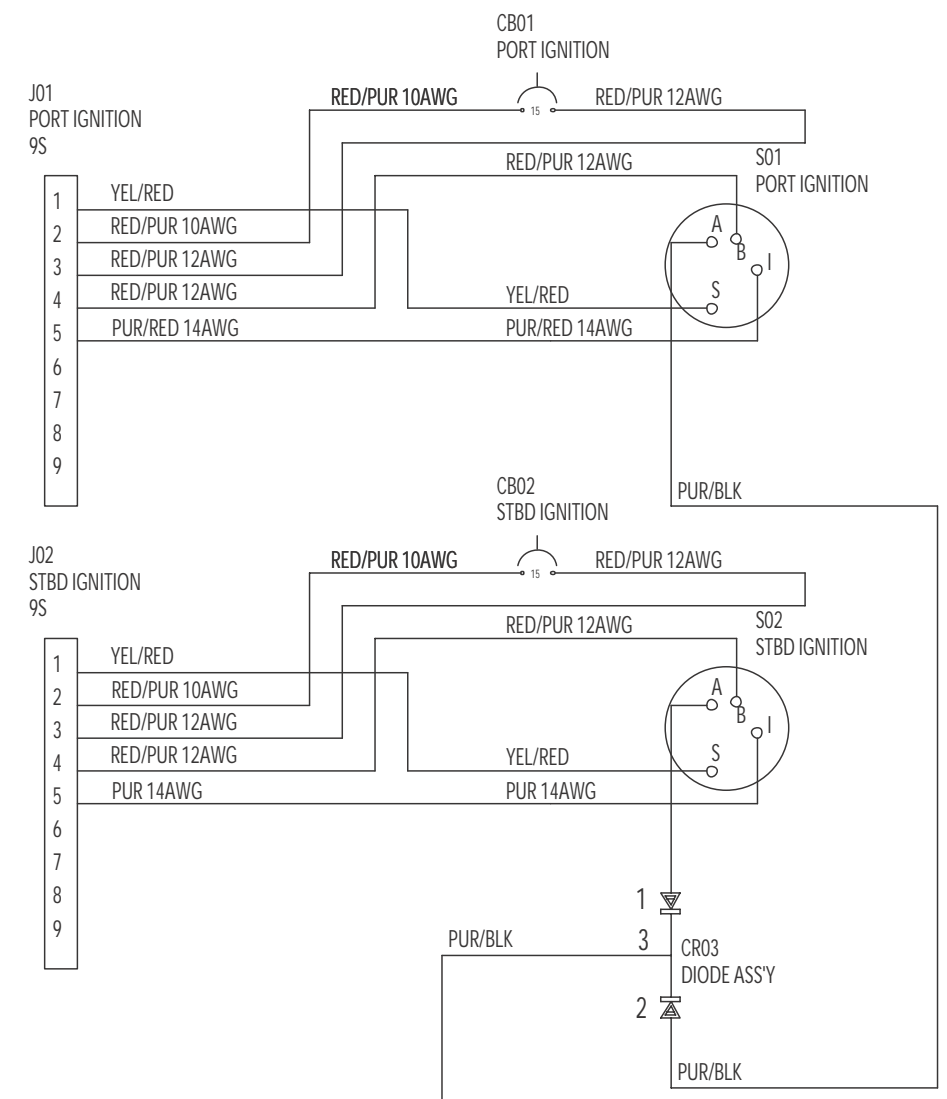
FOUR WINNS WIRE LIST

COLOR	GA	FIRST	PIN	TERM	NOTE	SECOND	PIN	TERM	NOTE	FUNCTION
YEL/RED	16	J01	1	42		S01	S	02		START
RED/PUR	10	J01	2	43		CB01	LINE	07		IGNITION IN
RED/PUR	12	J01	3	43		CB01	LOAD	07		IGNITION BREAKER
RED/PUR	12	J01	4	43		S01	B	07		IGNITION BREAKER
PUR	14	J01	5	42		S01	I	02		IGNITION
BLK	14	J03	1	42		R25	-	02		12V RECEPTACLE RET
RED/ORN	14	J03	2	42		R25	+	02		12V RECEPTACLE
PUR/BLK	16	J03	3	42		S01	A	02		IGNITION ACCESSORY

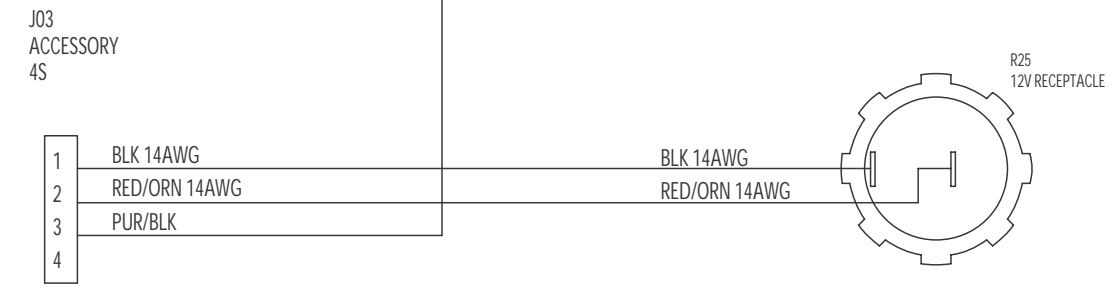
280H-285S SINGLE IGNITION PANEL ASSEMBLY



START
IGNITION IN
IGNITION BREAKER
IGNITION BREAKER
IGNITION
NOT USED
NOT USED
NOT USED
NOT USED



START
IGNITION IN
IGNITION BREAKER
IGNITION BREAKER
IGNITION
NOT USED
NOT USED
NOT USED
NOT USED



12V RECEPTACLE RET
12V RECEPTACLE
IGNITION ACCESSORY
NOT USED

FOUR WINNS PARTS LIST

ITEM	PART NUMBER	QUANTITY	DESCRIPTION	FUNCTION	MANUFACTURER
	028-0177	8	TERM,FASTON, 250,18-14	02	AMP
	028-0179	6	TERM,FASTON, 250,12-10	07	AMP
	028-0454	7	SOCKET,UMNL,18-14	42	AMP
	028-0455	6	SOCKET,UMNL,12-10	43	AMP
	025-2909	1	PANEL,BLANK,TWIN IGNITION	BLANK PANEL	
CB01	028-0467	1	BREAKER,15A	PORT IGNITION BREAKER	MP
CB02	028-0467	1	BREAKER,15A	STBD IGNITION BREAKER	MP
J01	028-0443	1	RECEPT,UMNL,9 CKT	PORT IGNITION	AMP
J02	028-0443	1	RECEPT,UMNL,9 CKT	STBD IGNITION	AMP
J03	028-0442	1	RECEPT,UMNL,4 CKT	ACCESSORY	AMP
S01	028-1286	1	SWITCH,IGNITION W/ACCESSORY	PORT IGNITION	GENERAL
S02	028-1286	1	SWITCH,IGNITION W/ACCESSORY	STBD IGNITION	GENERAL
R25	028-1100	1	RECEPT,12V AFI	12V RECEPTACLE	AFI

FOUR WINNS WIRE LIST

COLOR	GA	FIRST	PIN	TERM	NOTE	SECOND	PIN	TERM	NOTE	FUNCTION
YEL/RED	16	J01	1	42		S01	S	02		START
RED/PUR	10	J01	2	43		CB01	LINE	07		IGNITION IN
RED/PUR	12	J01	3	43		CB01	LOAD	07		IGNITION BREAKER
RED/PUR	12	J01	4	43		S01	B	07		IGNITION BREAKER
PUR/RED	14	J01	5	42		S01	I	02		IGNITION
YEL/RED	16	J02	1	42		S02	S	02		START
RED/PUR	10	J02	2	43		CB02	LINE	07		IGNITION IN
RED/PUR	12	J02	3	43		CB02	LOAD	07		IGNITION BREAKER
RED/PUR	12	J02	4	43		S02	B	07		IGNITION BREAKER
PUR	14	J02	5	42		S02	I	02		IGNITION
BLK	14	J03	1	42		R25	-	02		12V RECEPTACLE RET
RED/ORN	14	J03	2	42		R25	+	02		12V RECEPTACLE
PUR/BLK	16	J03	3	42		CR03	3	51		IGNITION ACCESSORY
PUR/BLK	16	CR03	1	51		S02	A	02		IGNITION ACCESSORY
PUR/BLK	16	CR03	2	51		S01	A	02		IGNITION ACCESSORY

280H-285S TWIN IGNITION PANEL ASSEMBLY

Page 5

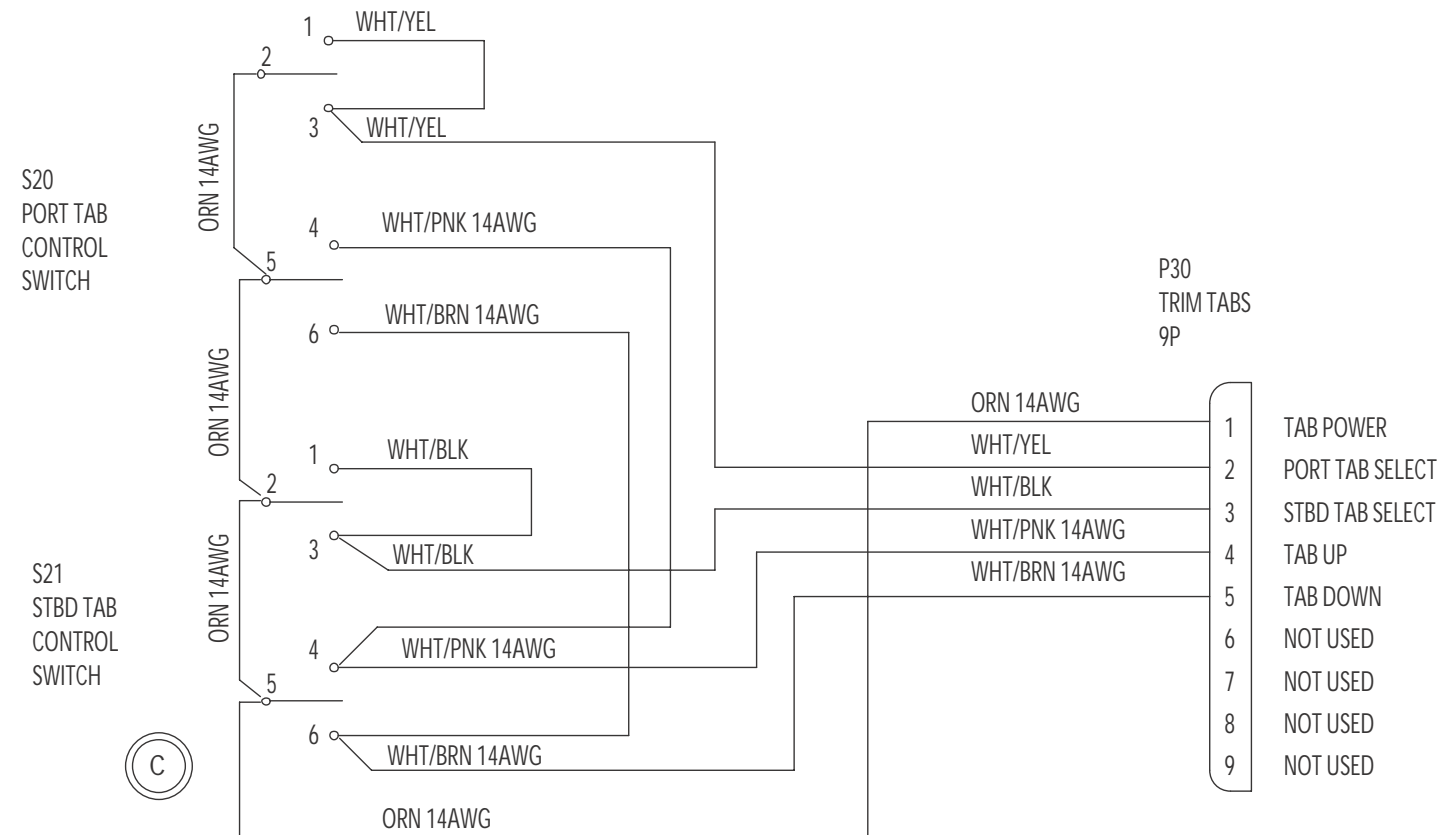


FOUR WINNS WIRE LIST

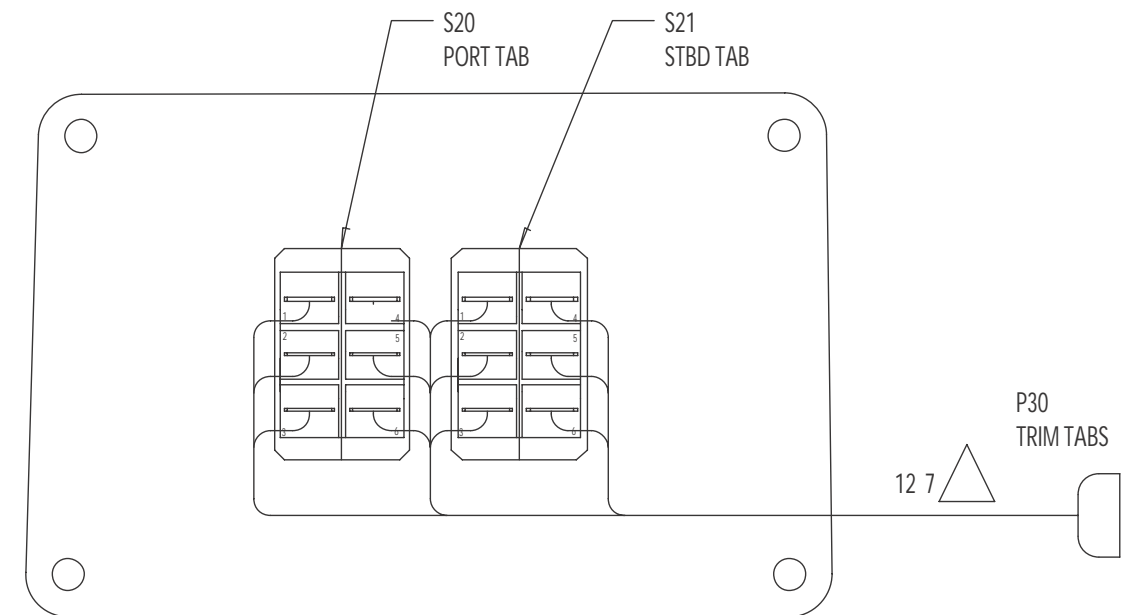
COLOR	GA	FIRST	PIN	TERM	NOTE	SECOND	PIN	TERM	NOTE	FUNCTION
ORN	14	P30	1	41		S21	5	02	SA	TAB POWER
WHT/YEL	16	P30	2	41		S20	3	02	SD	PORT TAB SELECT
WHT/BLK	16	P30	3	41		S21	3	02	SE	STBD TAB SELECT
WHT/PNK	14	P30	4	41		S21	4	02	SF	TAB UP
WHT/BRN	14	P30	5	41		S21	6	02	SG	TAB DOWN
ORN	14	S20	5	02	SC	S20	2	02		
ORN	14	S20	5	02	SC	S21	2	02	SB	TAB POWER
ONR	14	S21	2	02	SB	S21	5	02	SA	TAB POWER
WHT/BRN	14	S20	6	02	SG	S21	6	02		TAB DOWN
WHT/PNK	14	S20	4	02	SF	S21	4	02		TAB UP
WHT/YEL	16	S20	3	02	SD	S20	1	02		PORT TAB SELECT
WHT/BLK	16	S21	3	02	SE	S21	1	02		STBD TAB SELECT

FOUR WINNS PARTS LIST

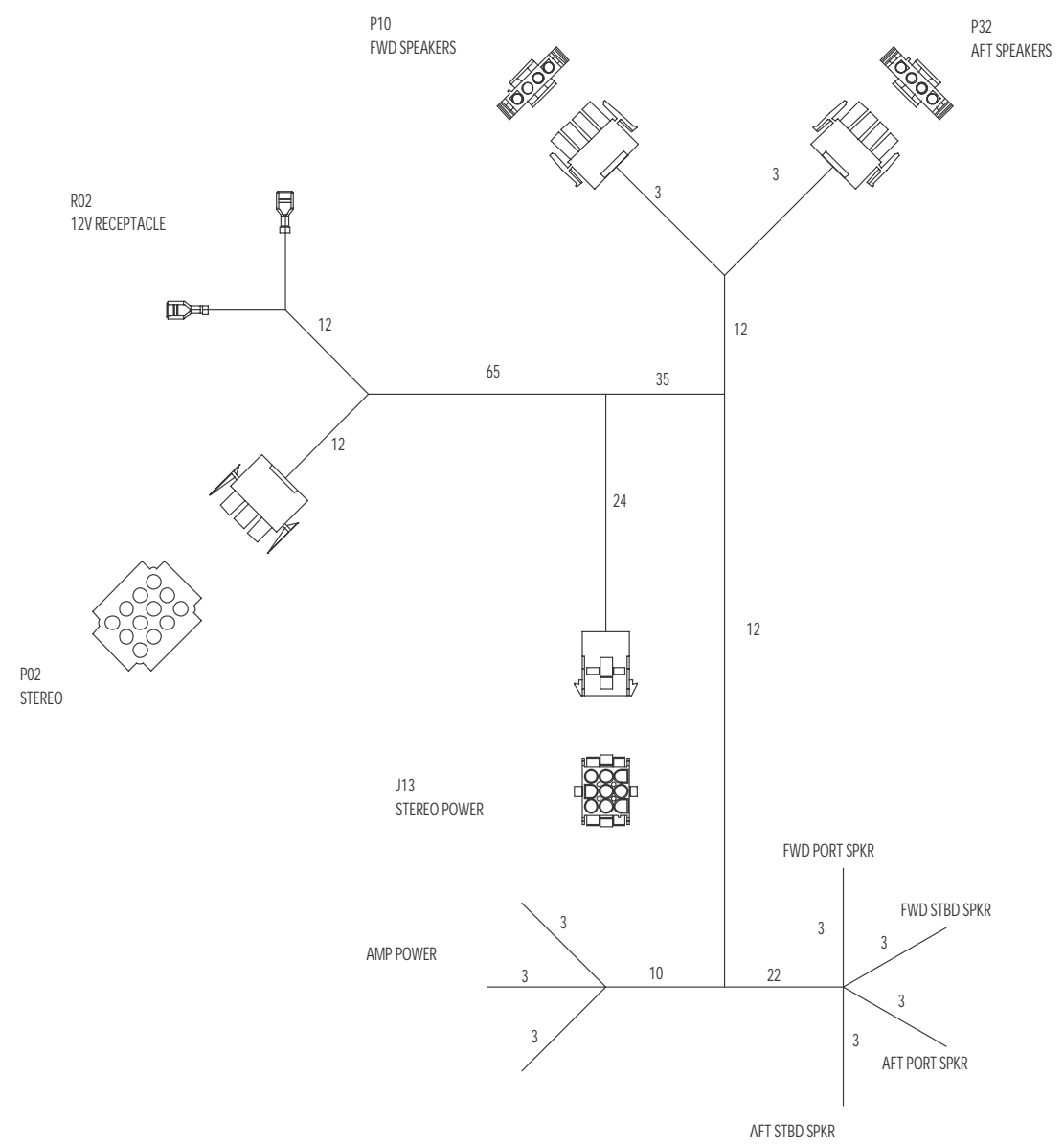
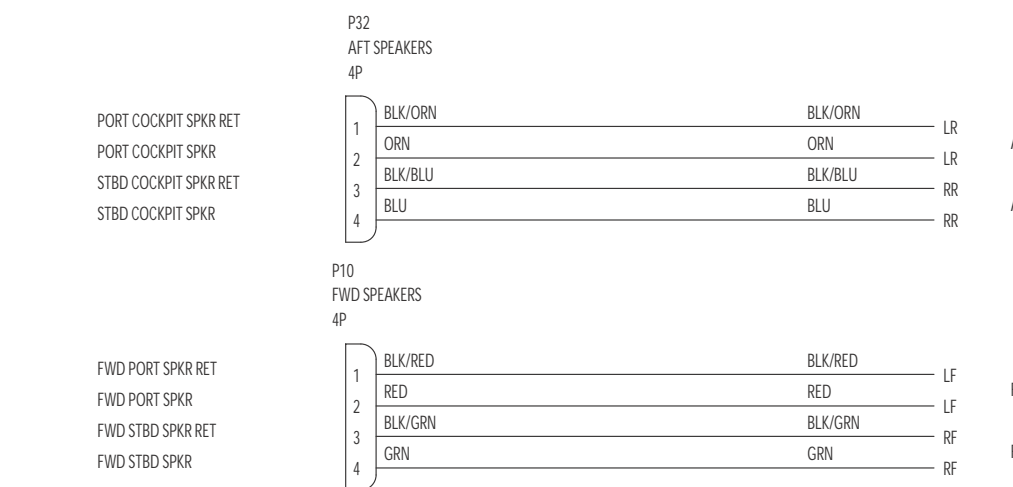
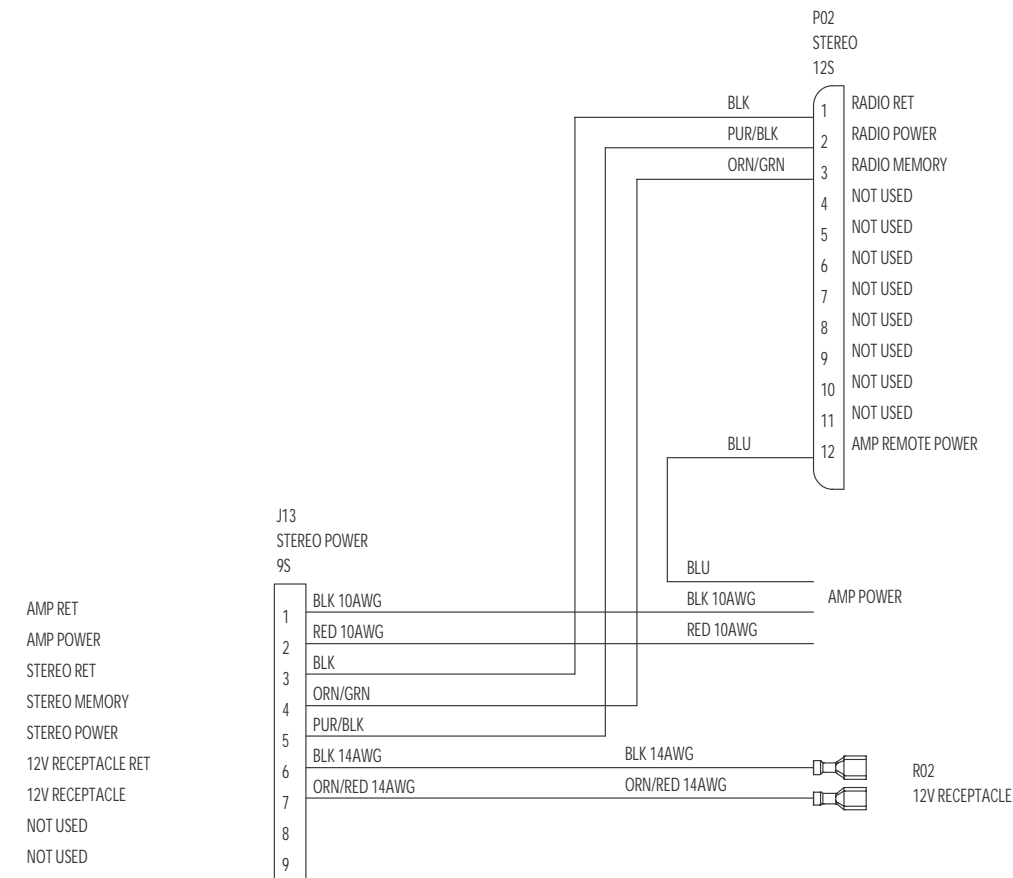
ITEM	PART NUMBER	QUANTITY	DESCRIPTION	FUNCTION	MANUFACTURER
	028-0177	34	TERM,FASTON,.250,18-14	02	AMP
	028-0390	28	SOCKET,UMNL,18-14	42	AMP
	025-2185	1	PANEL,BLANK,TRIM TABS		
P30	028-0449	1	PLUG,UMNL,9 CKT	TRIM TABS	AMP
S20	028-0460	1	SWITCH,(ON) OFF (ON) CONT III	PORT TAB SELECT	CARL SW
S21	028-0460	1	SWITCH,(ON) OFF (ON) CONT III	STBD TAB SELECT	CARL SW



REAR PANEL VIEW



**280H-285S
TRIM TABS
PANEL ASSEMBLY**
Page 6

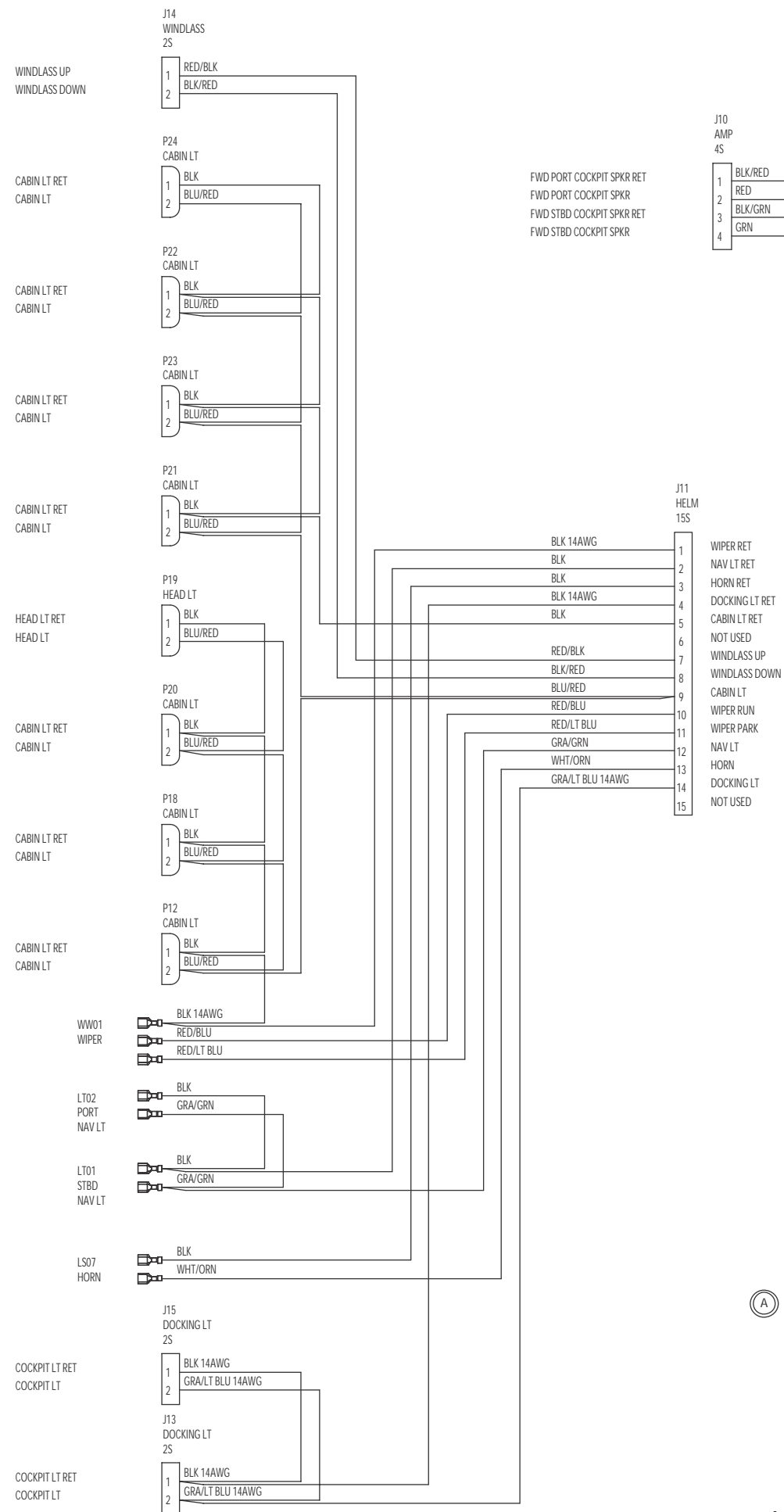


FOUR WINNS WIRE LIST

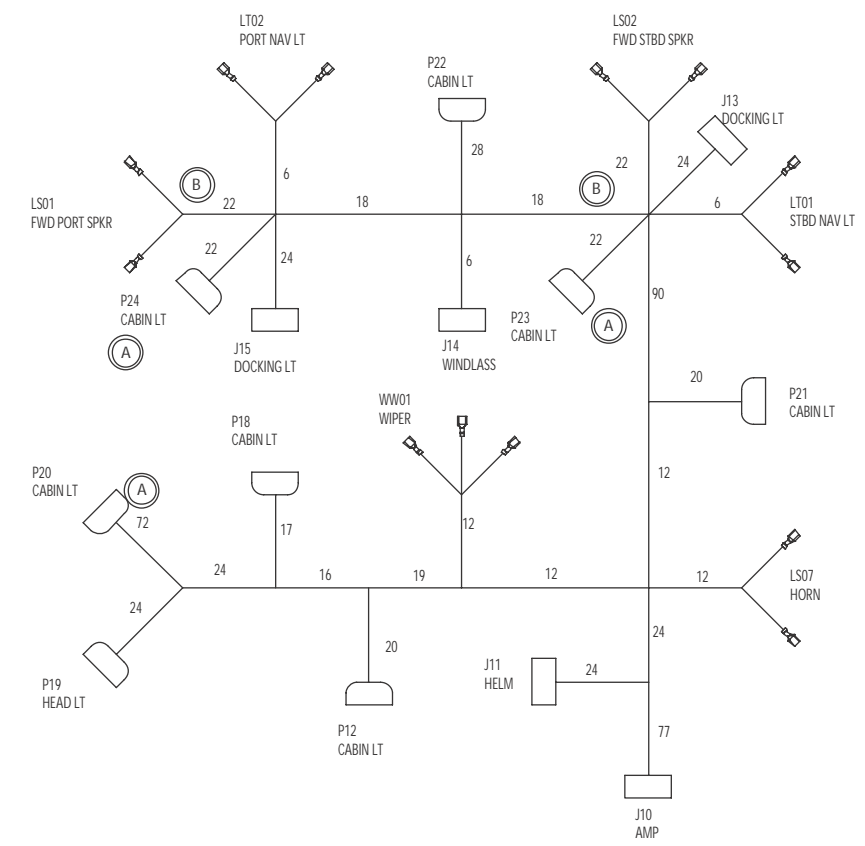
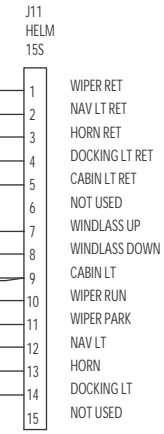
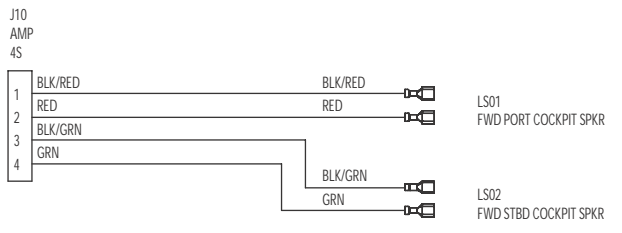
COLOR	GA	FIRST	PIN	TERM	NOTE	SECONC	PIN	TERM	NOTE	FUNCTION
BLK	16	P02	1	42		J13	3	42		RADIO RET
PUR/BLK	16	P02	2	42		J13	5	42		RADIO POWER
ORN/GRN	16	P02	3	42		J13	4	42		RADIO MEMORY
BLU	16	P02	12	42		AM01	REM	56		AMP REMOTE POWER
BLK	10	AM01	-	56		J13	1	42		AMP RET
RED	10	AM01	+	56		J13	2	42		AMP POWER
BLK	14	R02	-	02		J13	6	42		12V RECEPT RET
ORN/RED	14	R02	+	02		J13	7	42		12V RECEPT
BLK/ORN	16	AM01	LR	56	BA	P32	1	41		PORT COCKPIT SPKR RET
ORN	16	AM01	LR	56	BA	P32	2	41		PORT COCKPIT SPKR
BLK/BLU	16	AM01	RR	56	BB	P32	3	41		STBD COCKPIT PSKR RET
BLU	16	AM01	RR	56	BB	P32	4	41		STBD COCKPIT SPKR
BLK/RED	16	AM01	LF	56	BC	P10	1	41		FWD PORT SPKR RET
RED	16	AM01	LF	56	BC	P10	2	41		FWD PORT SPKR
BLK/GRN	16	AM01	RF	56	BD	P10	3	41		FWD STBD SPKR RET
GRN	16	AM01	RF	56	BD	P10	4	41		FWD STBD SPKR

FOUR WINNS PARTS LIST

ITEM	PART NUMBER	QUANTITY	DESCRIPTION	FUNCTION	MANUFACTURER
	028-0177	2	TERM.FASTON,250,18-14	02	AMP
	028-0390	8	PIN,UMNL,18-14	41	AMP
	028-0454	9	SOCKET,UMNL,18-14	42	AMP
	028-0455	2	SOCKET,UMNL,12-10	43	AMP
AM01	REF	REF	AMPLIFIER,SONY 754	AMPLIFIER	
J13	028-0444	1	RECEPT,UMNL,9 CKT	STEREO POWER	AMP
P02	028-0451	1	PLUG,UMNL,12 CKT	STEREO	AMP
P10	028-0448	1	PLUG,UMNL,4 CKT	FWD SPEAKERS	AMP
P32	028-0448	1	PLUG,UMNL,4 CKT	AFT SPEAKERS	AMP
R02	028-1100	REF	RECECT,12V AFI	12V RECEPTACLE	



FWD PORT COCKPIT SPKR RET
 FWD PORT COCKPIT SPKR
 FWD STBD COCKPIT SPKR RET
 FWD STBD COCKPIT SPKR

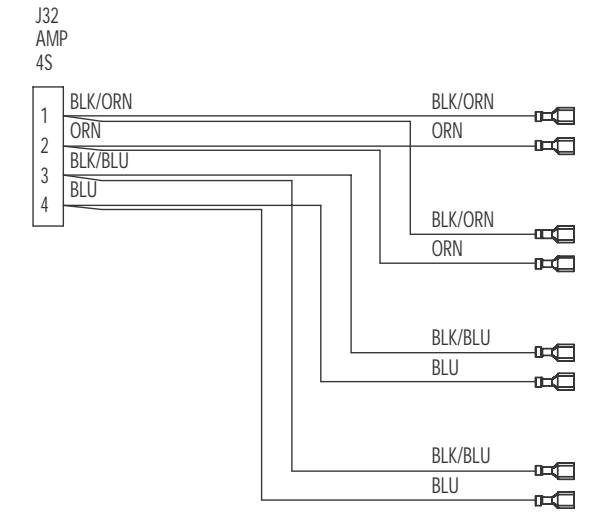
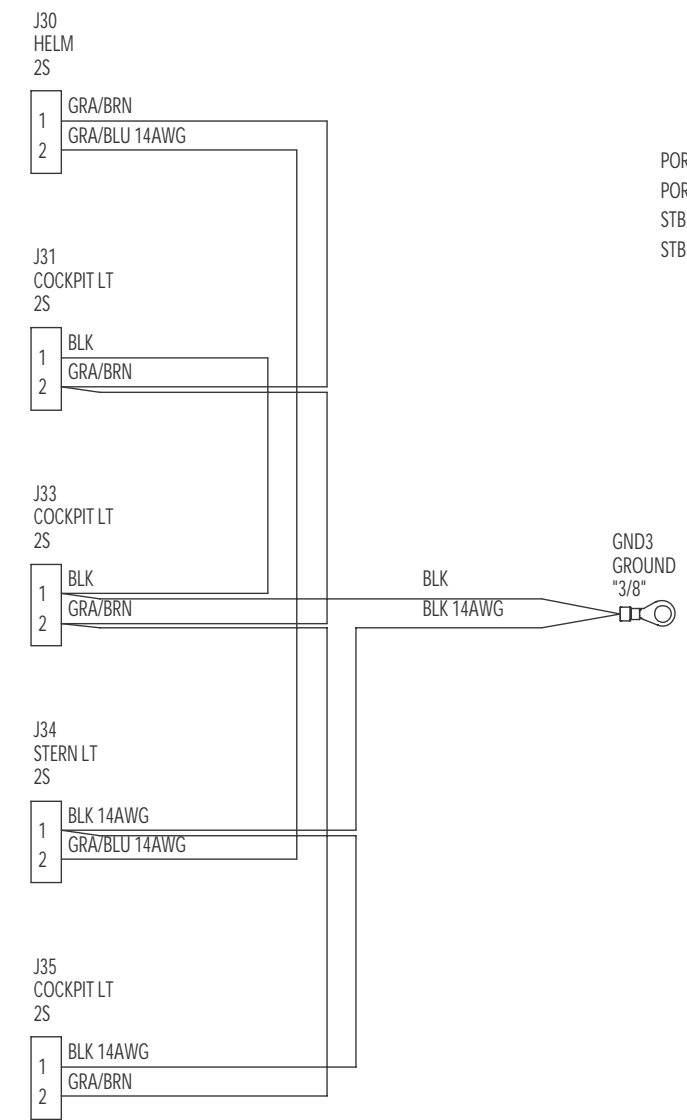
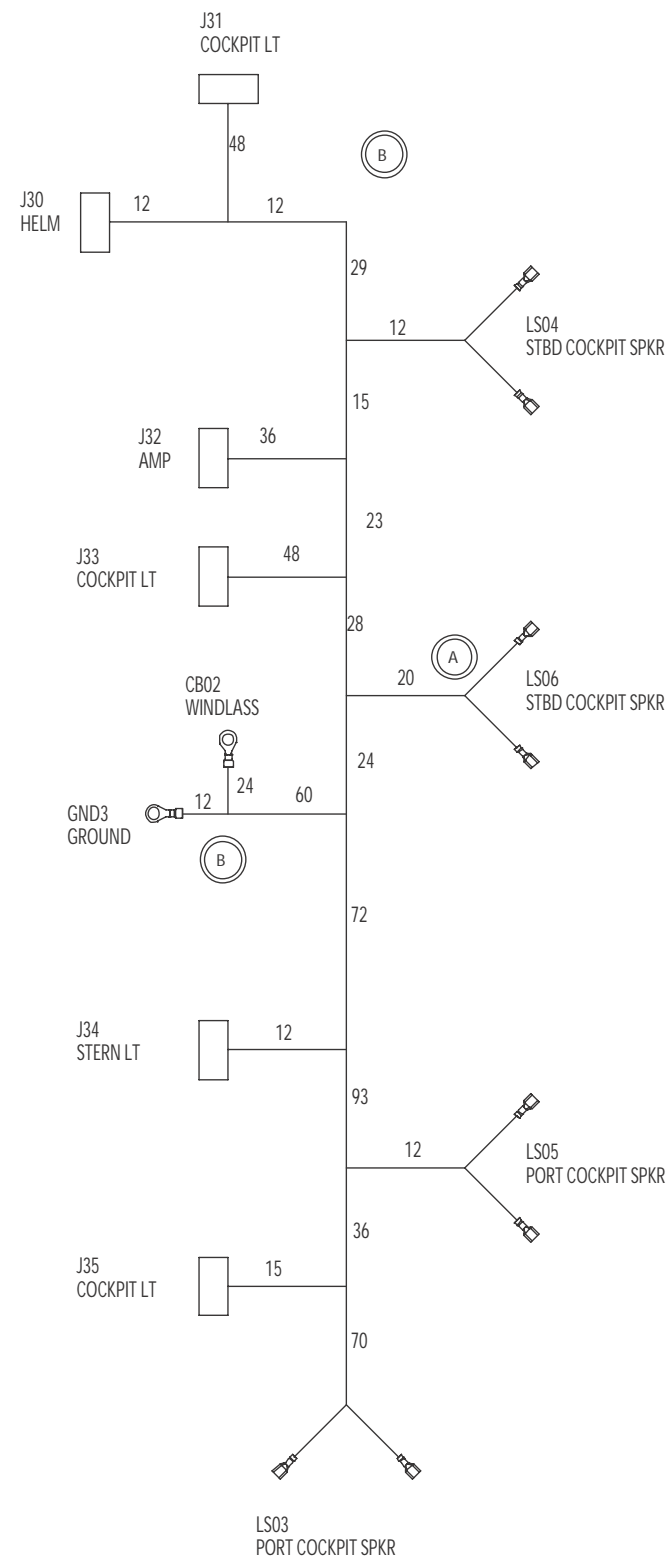


FOUR WINNS PARTS LIST

ITEM	PART NUMBER	QUANTITY	DESCRIPTION	FUNCTION	MANUFACTURER
	028-0177	9	TERMFASTON, 250:18-14	02	AMP
	028-0112	2	TERMFASTON, 110:18-14	27	AMP
	028-0454	23	SOCKET,UMNL,16-14	42	AMP
	028-0159	16	SOCKET,OMNL,16-14	45	AMP
	028-1288	2	TERMFASTON, 205:18-14	63	AMP
J10	028-0442	1	RECEPT,UMNL,4,CKT	AMP	AMP
J11	028-0446	1	RECEPT,UMNL,15,CKT	HELM	AMP
J13	028-0441	1	RECEPT,UMNL,2,CKT	DOCKING LT	AMP
J14	028-0441	1	RECEPT,UMNL,2,CKT	DOCKING LT	AMP
J15	028-0441	1	RECEPT,UMNL,2,CKT	DOCKING LT	AMP
LS01	REF		SPEAKER	SPEAKER	
LS02	REF		SPEAKER	SPEAKER	
LS07	REF		HORN	HORN	
LT01	REF		LIGHT,BOW,SS	NAV LT	
LT02	REF		LIGHT,BOW,SS	NAV LT	
P12	028-0161	1	PLUG,OMNL,2,CKT	CABIN LT	AMP
P18	028-0161	1	PLUG,OMNL,2,CKT	CABIN LT	AMP
P19	028-0161	1	PLUG,OMNL,2,CKT	HEAD LT	AMP
P20	028-0161	1	PLUG,OMNL,2,CKT	CABIN LT	AMP
P21	028-0161	1	PLUG,OMNL,2,CKT	CABIN LT	AMP
P22	028-0161	1	PLUG,OMNL,2,CKT	CABIN LT	AMP
P23	028-0161	1	PLUG,OMNL,2,CKT	CABIN LT	AMP
P24	028-0161	1	PLUG,OMNL,2,CKT	CABIN LT	AMP
WW01	REF		WIPER,AF,1000	WINDSHELD WIPER	

FOUR WINNS WIRE LIST

COLOR	GA	FIRST	PIN	TERM	NOTE	SECOND	PIN	TERM	NOTE	FUNCTION
BLK/RED	16	J10	1	42	BA	LS01	-	27		FWD PORT COCKPIT SPKR RET
RED	16	J10	2	42	BA	LS01	+	63		FWD PORT COCKPIT SPKR
BLK/GRN	16	J10	3	42	BB	LS02	-	27		FWD STBD COCKPIT SPKR RET
GRN	16	J10	4	42	BB	LS02	+	63		FWD STBD COCKPIT SPKR
BLK	14	J11	1	42		WW01	-	02	SB	WIPER RET
BLK	16	J11	2	42		LT01	-	02	SD	NAV LT RET
BLK	16	J11	3	42		LS07	-	02		HORN RET
BLK	14	J11	4	42		J13	1	42	SF	DOCKING LT RET
BLK	16	J11	5	42		P21	1	45	SH	CABIN LT RET
RED/BLK	16	J11	7	42		J14	1	42		WINDLASS UP
BLK/RED	16	J11	8	42		J14	2	42		WINDLASS DOWN
BLU/RED	16	J11	9	42	SA	P21	2	45	SI	CABIN LT
BLU/RED	16	J11	9	42	SA	P12	2	45	SK	CABIN LT
RED/BLU	16	J11	10	42		WW01	R	02		WIPER RUN
RED/LT BLU	16	J11	11	42		WW01	P	02		WIPER PARK
GRA/GRN	16	J11	12	42		LT01	+	02	SE	NAV LT
WHT/ORN	16	J11	13	42		LS07	+	02		HORN
GRA/LT BLU	14	J11	14	42		J13	2	42	SG	DOCKING LT
BLK	16	LT02	-	02		LT01	-	02	SD	NAV LT RET
GRA/GRN	16	LT02	+	02		LT01	+	02	SE	NAV LT
BLK	14	J15	1	42		J13	1	42	SF	DOCKING LT RET
GRA/LT BLU	14	J15	2	42		J13	2	42	SG	DOCKING LT
BLK	16	P23	1	45	SO	P21	1	45	SH	CABIN LT
BLU/RED	16	P23	2	45	SP	P21	2	45	SI	CABIN LT
BLU/RED	16	P19	2	45		P20	2	45	SC	HEAD LT
BLU/RED	16	P20	2	45	SC	P18	2	45	SJ	CABIN LT
BLU/RED	16	P18	2	45	SJ	P12	2	45	SK	CABIN LT
BLK	16	P19	1	45		P20	1	45	SL	HEAD LT RET
BLK	16	P20	1	45	SL	P18	1	45	SM	CABIN LT RET
BLK	16	P18	1	45	SM	P12	1	45	SN	CABIN LT RET
BLK	16	P12	1	45	SN	WW01	-	02	SB	CABIN LT RET
BLK	16	P23	1	45	SO	P22	1	45	SO	CABIN LT RET
BLU/RED	16	P23	2	45	SP	P22	2	45	SR	CABIN LT
BLK	16	P22	1	45	SO	P24	1	45		CABIN LT RET
BLU/RED	16	P22	2	45	SR	P24	2	45		CABIN LT

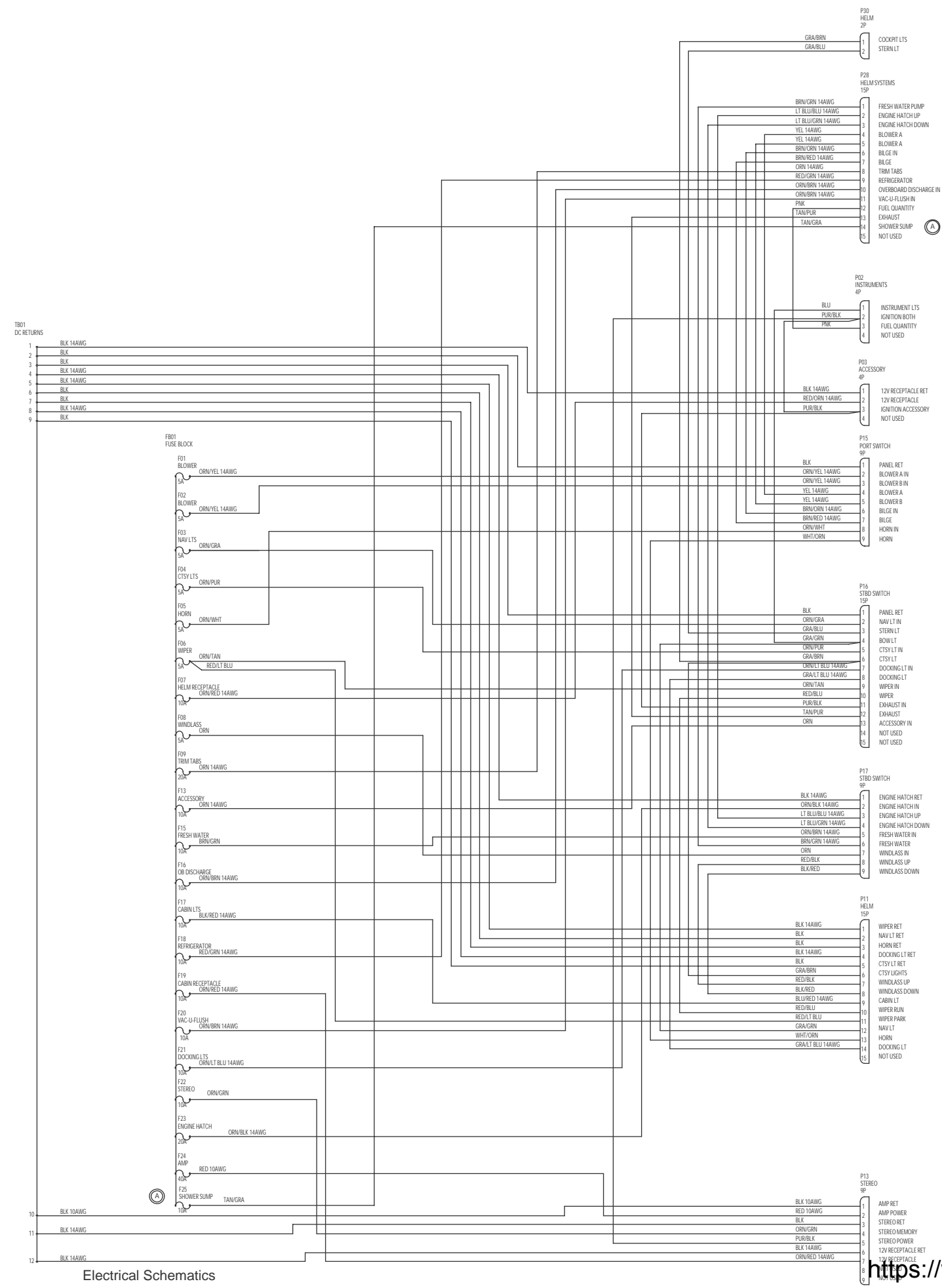


FOUR WINNS PARTS LIST

ITEM	PART NUMBER	QUANTITY	DESCRIPTION	FUNCTION	MANUFACTURER
	028-0197	1	TERM.RING,3/8,12-10	15	AMP
	028-0315	1	TERM.RING,1/4,8	24	AMP
	028-0316	3	TERM.FASTON,3/8,8	25	AMP
	028-0112	4	TERM.FASTON,110,18-14	27	AMP
	028-0454	12	SOCKET,UMNL,18-14	42	AMP
	028-1288	4	TERM.FASTON,205,18-14	63	AMP
CB02	REF		BREAKER,40A,MP		WINDLASS BREAKER
GND3	REF		DC GROUND		DC RET
GND4	REF		DC GROUND		DC RET
J30	028-0441	1	RECEPT,UMNL,2 CKT	HELM	AMP
J31	028-0441	1	RECEPT,UMNL,2 CKT	COCKPIT LT	AMP
J32	028-0442	1	RECEPT,UMNL,4 CKT	AMP	AMP
J33	028-0441	1	RECEPT,UMNL,2 CKT	COCKPIT LT	AMP
J34	028-0441	1	RECEPT,UMNL,2 CKT	STERN LT	AMP
J35	028-0441	1	RECEPT,UMNL,2 CKT	COCKPIT LT	AMP
LS03	REF		SPEAKER	SPEAKER	
LS04	REF		SPEAKER	SPEAKER	
LS05	REF		SPEAKER	SPEAKER	
LS06	REF		SPEAKER	SPEAKER	

FOUR WINNS WIRE LIST

COLOR	GA	FIRST	PIN	TERM	NOTE	SECOND	PIN	TERM	NOTE	FUNCTION
BLK/ORN	16	J32	1	42	SA	LS03	-	27	BA	PORT COCKPIT SPKR RET
ORN	16	J32	2	42	SB	LS03	+	63	BA	PORT COCKPIT SPKR
BLK/ORN	16	J32	1	42	SA	LS05	-	27	BB	PORT COCKPIT SPKR RET
ORN	16	J32	2	42	SB	LS05	+	63	BB	PORT COCKPIT SPKR
BLK/BLU	16	J32	3	42	SC	LS04	-	27	BC	STBD COCKPIT SPKR RET
BLU	16	J32	4	42	SD	LS04	+	63	BC	STBD COCKPIT SPKR
BLK/BLU	16	J32	3	42	SC	LS06	-	27	BD	STBD COCKPIT SPKR RET
BLU	16	J32	4	42	SD	LS06	+	63	BD	STBD COCKPIT SPKR
GRA/BRN	16	J30	1	42	SF	J31	2	42	SF	COCKPIT LTS
GRA/BRN	16	J31	2	42	SF	J33	2	42	SG	COCKPIT LTS
GRA/BRN	16	J33	2	42	SG	J35	2	42		COCKPIT LTS
GRA/BLU	14	J30	2	42	SG	J34	2	42		STERN LT
BLK	16	J31	1	42		J33	1	42	SH	COCKPIT LT RET
BLK	16	J33	1	42	SH	GND3	1	15	SE	COCKPIT LT RET
BLK	14	J35	1	42		J34	1	42	SI	COCKPIT LT RET
BLK	14	J34	1	42	SI	GND3	1	15	SE	STERN LT RET



FOUR WINNS PARTS LIST

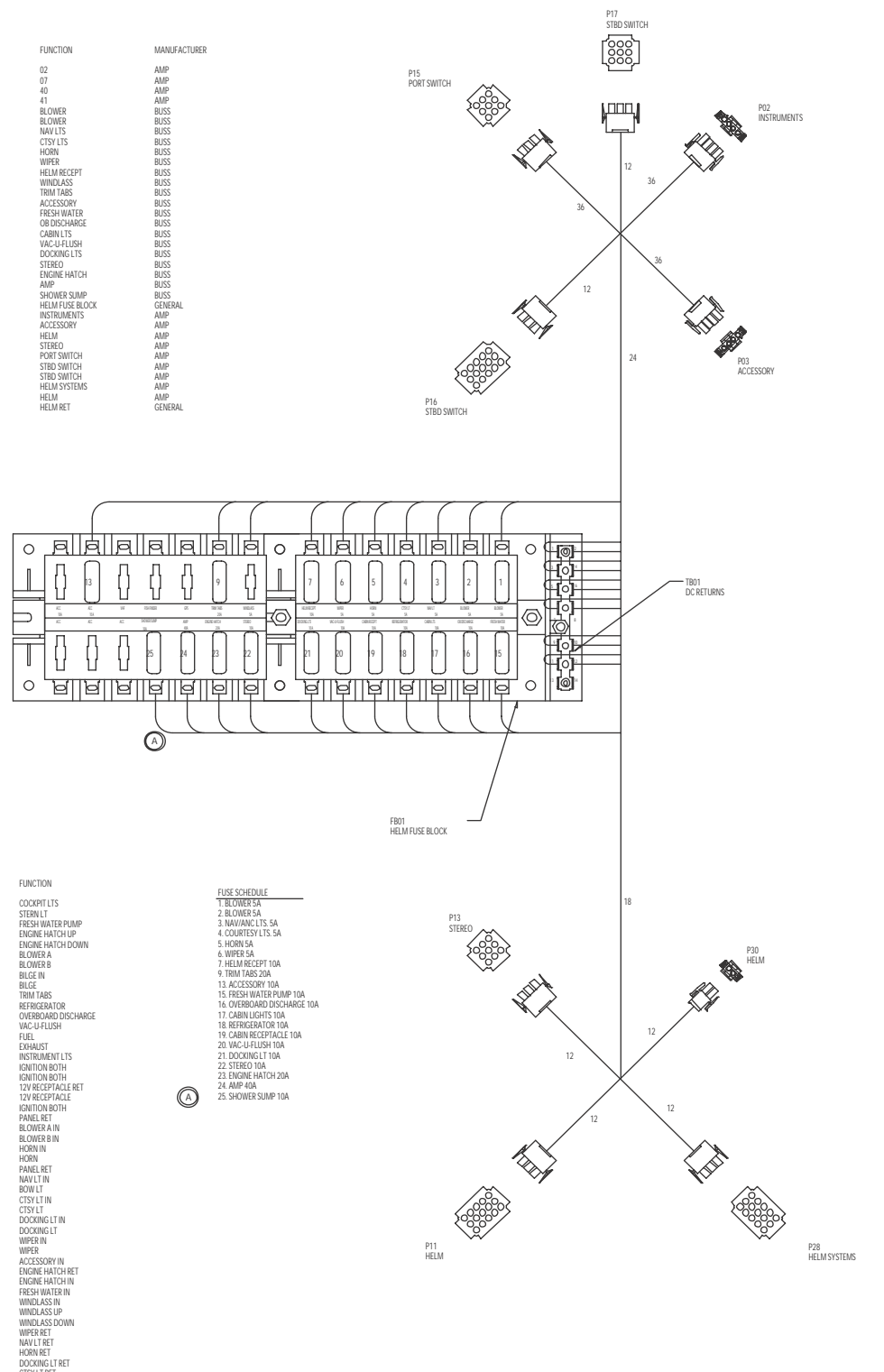
ITEM	PART NUMBER	QUANTITY	DESCRIPTION	FUNCTION	MANUFACTURER
	028-0177	31	TERMFASTON_25018-14	O2	AMP
	028-0179	2	TERMFASTON_25012-10	O7	AMP
	028-0453	2	PLUGUMNL_12-10	40	AMP
	028-0390	72	PLUGUMNL_18-14	41	AMP
F01	028-0507	1	FUSE.ATC.5A	BLOWER	BUSS
F02	028-0507	1	FUSE.ATC.5A	BLOWER	BUSS
F03	028-0507	1	FUSE.ATC.5A	NAV LTS	BUSS
F04	028-0507	1	FUSE.ATC.5A	CTSY LTS	BUSS
F05	028-0507	1	FUSE.ATC.5A	HORN	BUSS
F06	028-0507	1	FUSE.ATC.5A	WIPER	BUSS
F07	028-0507	1	FUSE.ATC.10A	HELM RECEP	BUSS
F08	028-0507	1	FUSE.ATC.5A	WINDLASS	BUSS
F09	028-0511	1	FUSE.ATC.20A	TRIM TABS	BUSS
F10	028-0511	1	FUSE.ATC.10A	ACCESSORY	BUSS
F11	028-0509	1	FUSE.ATC.10A	FRESH WATER	BUSS
F12	028-0509	1	FUSE.ATC.10A	OB DISCHARGE	BUSS
F13	028-0509	1	FUSE.ATC.10A	CABIN LTS	BUSS
F14	028-0509	1	FUSE.ATC.10A	VAC-U-FLUSH	BUSS
F15	028-0509	1	FUSE.ATC.10A	DOCKING LTS	BUSS
F16	028-0511	1	FUSE.ATC.20A	STEREO	BUSS
F17	028-0511	1	FUSE.ATC.20A	ENGINE HATCH	BUSS
F18	028-0509	1	FUSE.ATC.10A	AMP	BUSS
F19	028-0509	1	FUSE.ATC.10A	SHOWER SUMP	BUSS
F20	028-0505	1	FUSE BLOCK_28 POS	HELM FUSE BLOCK	GENERAL
F21	028-0448	1	PLUGUMNL_4 OCT	INSTRUMENTS	AMP
F22	028-0448	1	PLUGUMNL_4 OCT	ACCESSORY	AMP
F23	028-0452	1	PLUGUMNL_15 OCT	HELM	AMP
F24	028-0449	1	PLUGUMNL_9 OCT	STEREO	AMP
F25	028-0449	1	PLUGUMNL_9 OCT	PORT SWITCH	AMP
F26	028-0452	1	PLUGUMNL_15 OCT	STBD SWITCH	AMP
F27	028-0452	1	PLUGUMNL_15 OCT	HELM SYSTEMS	AMP
F28	028-0447	1	PLUGUMNL_2 OCT	HELM	AMP
TB01	REF	REF	HELM RET	GENERAL	GENERAL

FOUR WINNS WIRE LIST

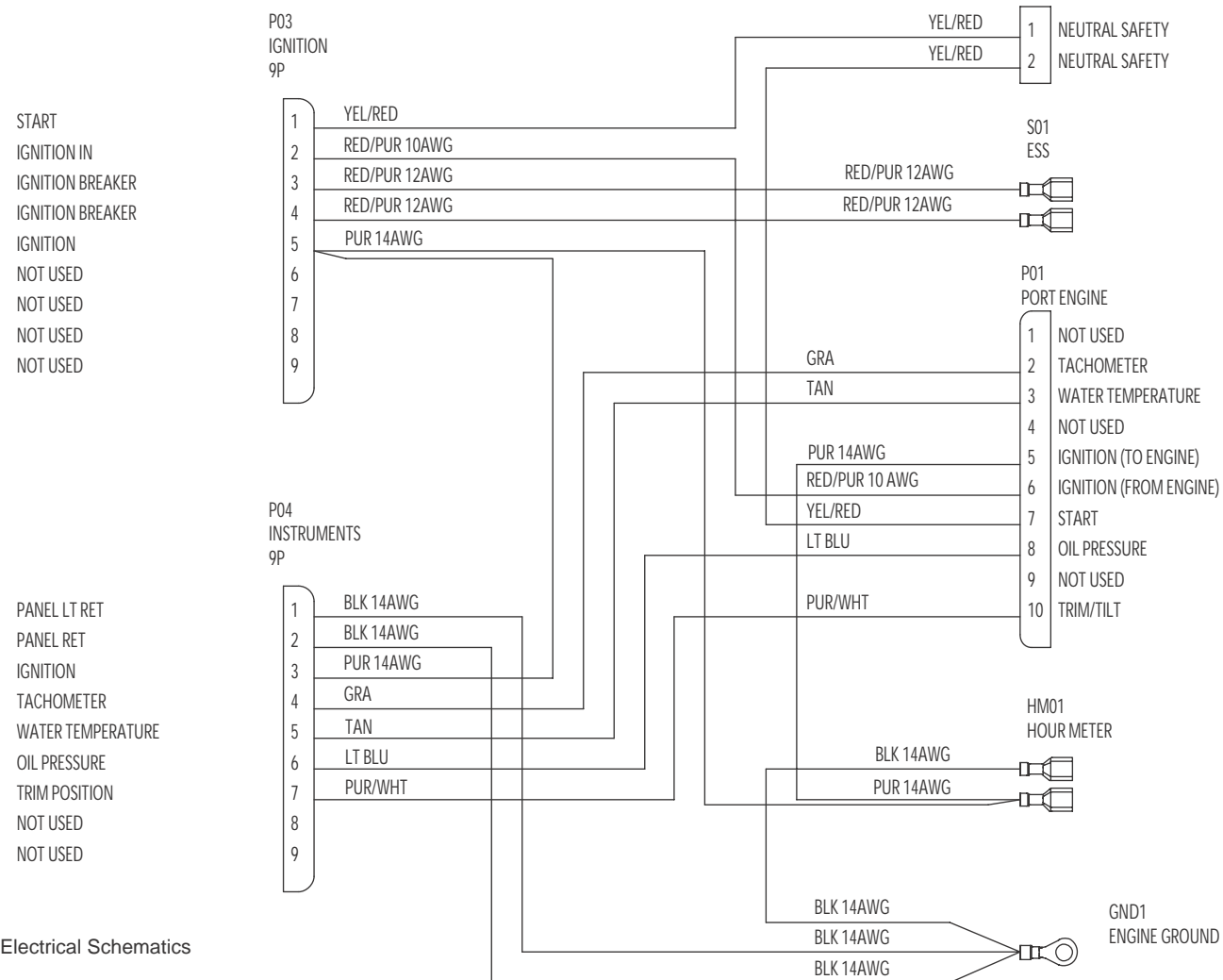
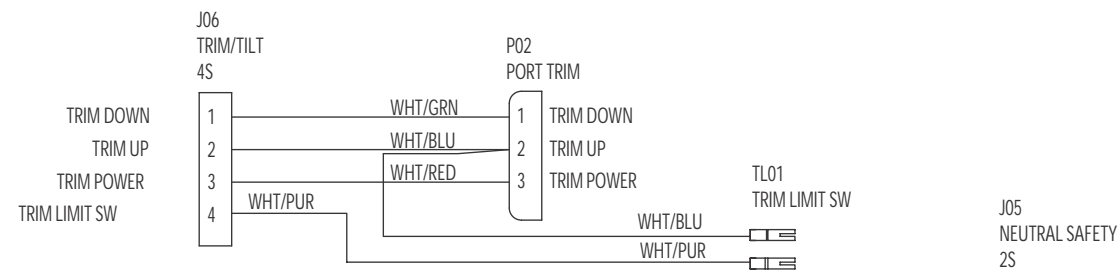
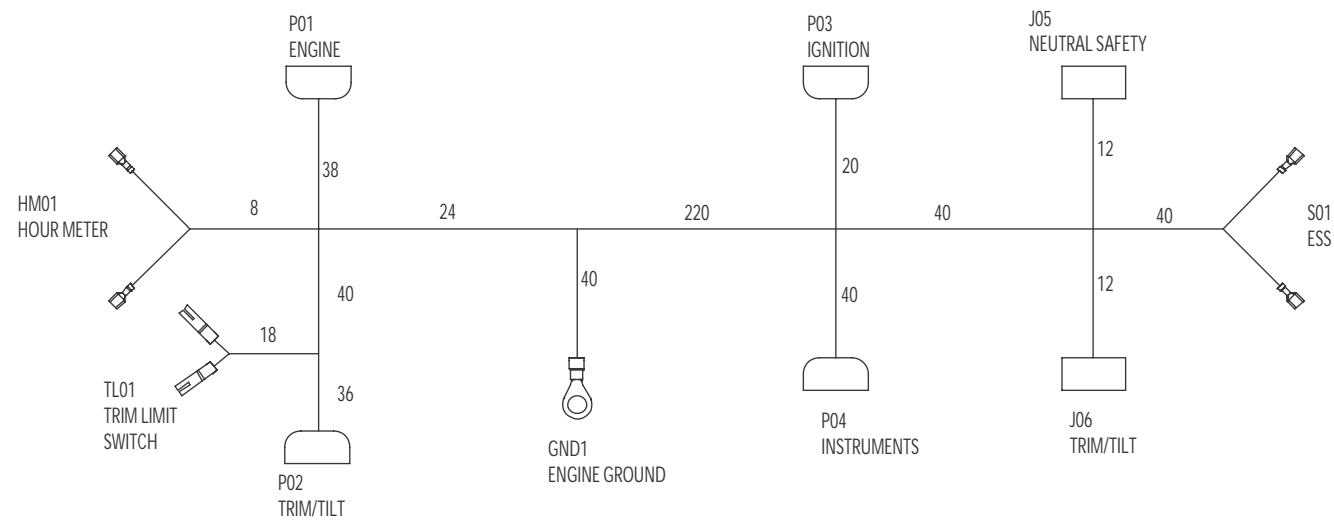
COLOR	GA	FIRST	PIN	TERM	NOTE	SECOND	PIN	TERM	NOTE	FUNCTION
GRN/BRN	16	P30	1	41		P16	6	41	SD	COCKPRT LTS
GRABLU	16	P30	2	41		P16	3	41		STERN LT
ORNBRLU	14	P28	1	41		P17	6	41		FRESH WATER PUMP
LT BLUGRN	14	P28	2	41		P17	3	41		ENGINE HATCH UP
YEL	14	P28	3	41		P17	4	41		ENGINE HATCH DOWN
BRN/BRN	14	P28	4	41		P15	4	41		BLOWER A
BRN/RED	14	P28	5	41		P15	5	41		BLOWER B
ORNBRLN	14	P28	6	41		P15	6	41		BLGCE IN
ORNBRLN	14	P28	7	41		P15	7	41		BLGCE
ORNBRLN	14	P28	8	41		F09	F18	02		TRIM TABS
ORNBRLN	14	P28	9	41		F01	F18	02		REFRIGERATOR
ORNBRLN	14	P28	10	41		F01	F16	02		OVERBOARD DISCHARGE
ORNBRLN	14	P28	11	41		F01	F20	02		VAC-U-FLUSH
PKK	16	P28	12	41		P02	3	41		FUEL
TAN/PUR	16	P28	13	41		P16	12	41		EXHAUST
BLU	16	P02	1	41		P16	4	41		INSTRUMENTS LTS
PUR/BLK	16	P02	2	41	SA	P13	5	41		IGNITION BOTH
RED/ORN	14	P03	1	41	SA	P03	3	41	SB	12V RECEPTACLE RET
PUR/BLU	16	P03	2	41		F01	F07	02		IGNITION BOTH
BLK	14	P03	3	41	SB	P16	11	41		IGNITION BOTH
ORNYEL	14	P15	2	41		TB01	2	41		PANEL RET
ORNYEL	14	P15	3	41		F01	F02	02		BLOWER A IN
ORNYEL	14	P15	4	41		F01	F02	02		BLOWER B IN
ORNYEL	14	P15	5	41		F01	F05	02		HORN
ORNYEL	14	P15	6	41		P11	13	41		HORN
GRABRN	16	P16	1	41		TB01	3	02		PANEL RET
RED/BLK	16	P16	2	41		F01	F03	02		NAV LT IN
BLK/RED	16	P16	3	41		P11	12	41		BOWL LT
BLU/RED	14	P16	4	41	SC	F01	F21	02		CTSY LT IN
RED/BLU	14	P16	5	41		P11	8	41		CTSY LT
ORNBRLU	14	P16	6	41	SD	P11	7	41		DOCKING LT IN
RED/BLU	14	P16	7	41		P11	14	41		DOCKING LT
ORNBRLN	14	P16	8	41		F01	F06	02		WIPER IN
ORNBRLN	14	P16	9	41		P11	10	41		WIPER
ORNBRLN	14	P16	10	41		F01	F13	02		ACCESSORY IN
ORNBRLN	14	P16	11	41		TB01	10	41		ENGINE HATCH RET
ORNBRLN	14	P16	12	41		F01	F23	02		ENGINE HATCH IN
ORNBRLN	14	P16	13	41		F01	F15	02		FRESH WATER IN
ORNBRLN	14	P16	14	41		F01	F08	02		WINDLASS IN
ORNBRLN	14	P16	15	41		P11	8	41		WINDLASS UP
ORNBRLN	14	P16	16	41		P11	8	41		WINDLASS DOWN
ORNBRLN	14	P16	17	41		TB01	5	02		WIPER RET
ORNBRLN	14	P16	18	41		TB01	6	02		NAV LT RET
ORNBRLN	14	P16	19	41		TB01	7	02		HORN RET
ORNBRLN	14	P16	20	41		TB01	8	02		DOCKING LT RET
ORNBRLN	14	P16	21	41		TB01	9	02		CTSY LT RET
ORNBRLN	14	P16	22	41		F01	F17	02		CABIN LT
RED/BLU	16	P11	11	41		F01	F06	02	SE	WIPER PARK
RED/BLU	16	P11	11	41		TB01	10	41		AMP RET
RED	16	P13	2	41		F01	F24	07		AMP POWER
RED	16	P13	3	41		TB01	11	02		STEREO RET
RED	16	P13	4	41		F01	F22	02		STEREO MEMORY
ORNBRLN	14	P13	6	41		TB01	12	02		12V RECEPTACLE RET
ORNBRLN	14	P13	7	41		F01	F19	02		12V RECEPTACLE
TAN/ORA	16	P28	14	41		F01	F25	02		SHOWER SUMP

FUSE SCHEDULE

1. BLOWER SA
2. BLOWER SA
3. NAV/INSTR. LTS. SA
4. COURTESY LTS. SA
5. HORN SA
6. WIPER SA
7. HELM RECEP 10A
8. TRIM TABS 20A
9. TRIM TABS 20A
10. ACCESSORY 10A
11. FRESH WATER PUMP 10A
12. OVERBOARD DISCHARGE 10A
13. CABIN LIGHTS 10A
14. REFRIGERATOR 10A
15. VAC-U-FLUSH 10A
16. REFRIGERATOR 10A
17. CABIN RECEPTACLE 10A
18. VAC-U-FLUSH 10A
19. DOCKING LT 10A
20. ENGINE HATCH 20A
21. AMP 40A
22. STEREO 10A
23. ENGINE HATCH 20A
24. AMP 40A
25. SHOWER SUMP 10A



**280H/285S
HELM SYSTEMS
HARNESS ASSEMBLY**
Page 11



Electrical Schematics

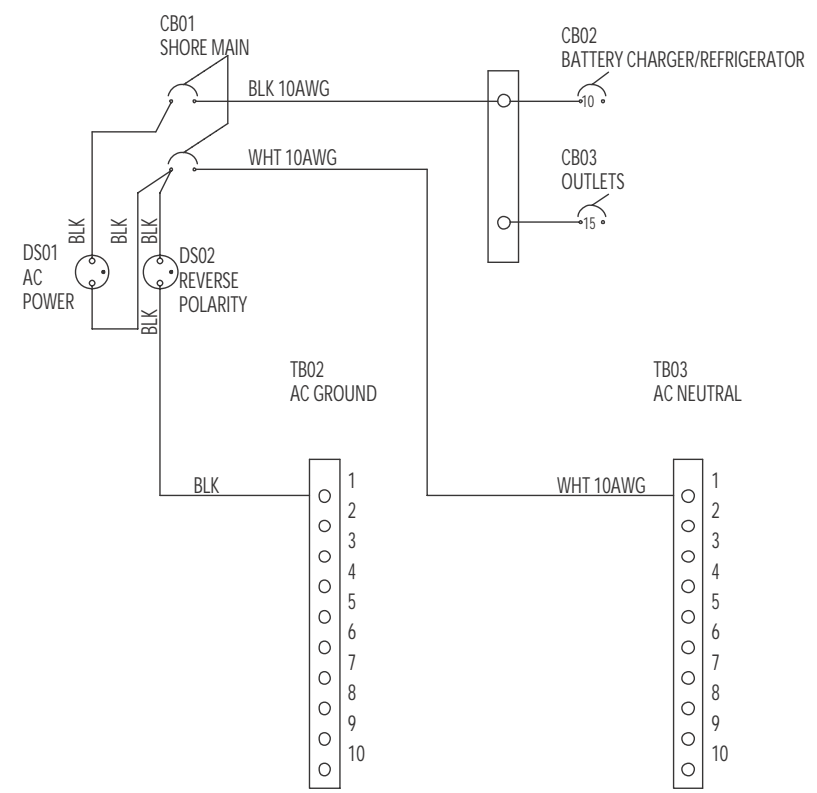
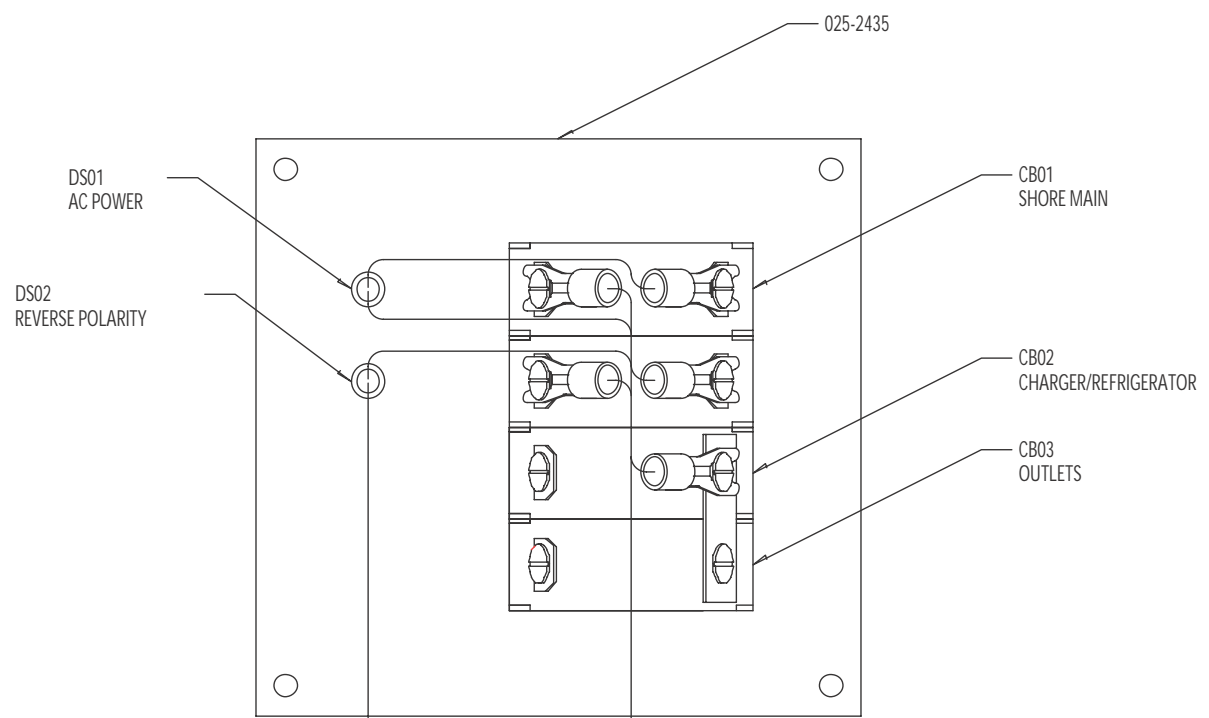
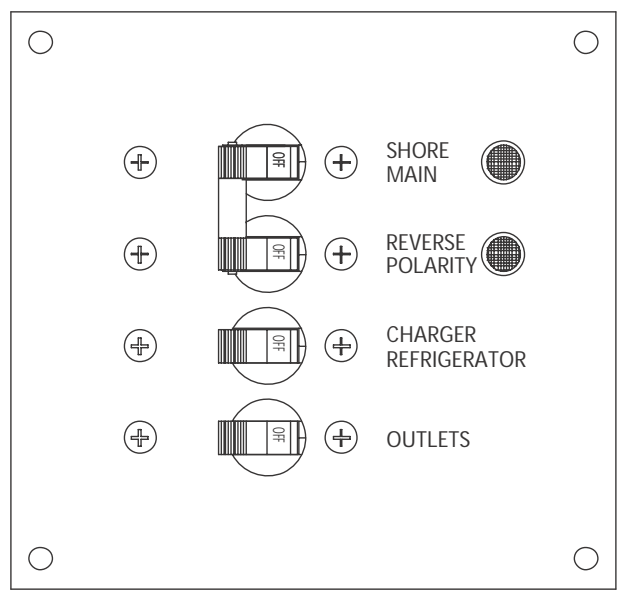
FOUR WINNS PARTS LIST

ITEM	PART NUMBER	QUANTITY	DESCRIPTION	FUNCTION	MANUFACTURER
	028-0177	2	TERM,FASTON,.250,18-14	02	AMP
	028-0179	2	TERM,FASTON,.250,12-10	07	AMP
	028-0197	1	TERM,RING,3/8,12-10	15	AMP
	028-0453	3	PIN,UMNL,12-10	40	AMP
	028-0390	9	PIN,UMNL,18-14	41	AMP
	028-0454	5	SOCKET,UMNL,18-14	42	AMP
	028-0211	2	RECEPT,SOCKET,.156,16-14	46	AMP
HM01		REF	HOUR METER	ENGINE HOURS	
J05	028-0441	1	RECEPT,UMNL,2 CKT	NEUTRAL SAFETY	AMP
J06	028-0442	1	RECEPT,UMNL,4 CKT	TRIM/TILT	AMP
P01		1	PLUG,ENGINE IO	ENGINE	OMC
P02		1	PLUG,TRIM/TILT	TRIM/TILT	OMC
P03	028-0449	1	PLUG,UMNL,9 CKT	IGNITION	AMP
P04	028-0449	1	PLUG,UMNL,9 CKT	INSTRUMENTS	AMP
S01		REF	SWTICH,ESS,NO	ESS	

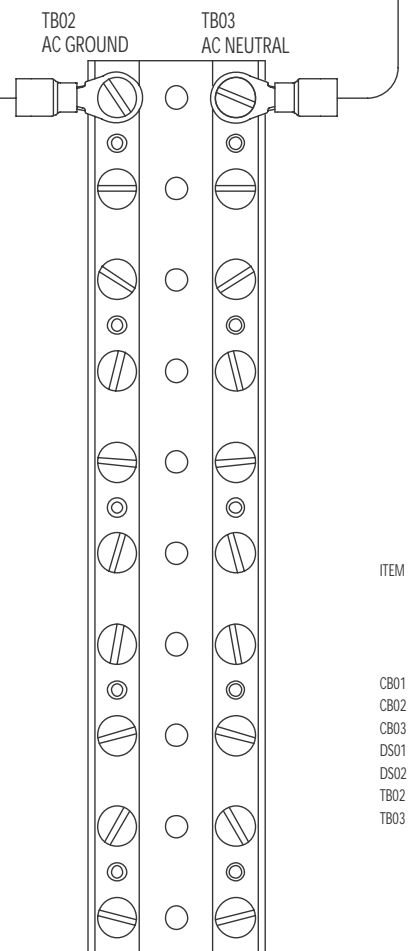
FOUR WINNS WIRE LIST

COLOR	GA	FIRST	PIN	TERM	NOTE	SECOND	PIN	TERM	NOTE	FUNCTION
WHT/GRN	16	J06	1	42		P02	1	51		TRIM DOWN
WHT/BLU	16	J06	2	42		P02	2	51	SD	TRIM UP
WHT/BLU	16	TL01	-	46		P02	2	51	SD	TRIM LIMIT SWITCH OUT
WHT/RED	16	J06	3	42		P02	3	51		TRIM POWER
WHT/PUR	16	J06	4	42		TL01	-	46		TRIM LIMIT SWITCH IN
YEL/RED	16	P03	1	41		J05	1	42		START
RED/PUR	10	P03	2	40		P01	6	51		IGNITION IN
RED/PUR	12	P03	3	40	SA	S01	1	07		IGNITION BREAKER
RED/PUR	12	P03	4	40	SA	S01	2	07	SB	IGNITION BREAKER
PUR	14	P03	5	41		HM01	+	02		IGNITION
PUR	14	P03	5	41		P04	3	41	SC	IGNITION
BLK	14	P04	1	41		GND1	1	15	SC	PANEL LT RET
BLK	14	P04	2	41		GND1	1	15		PANEL RET
GRA	16	P04	4	41		P01	2	51		TACHOMETER
TAN	16	P04	5	41		P01	3	51		WATER TEMPERATURE
LT BLU	16	P04	6	41		P01	8	51		OIL PRESSURE
PUR/WHT	16	P04	7	41		P01	10	51		TRIM POSITION
YEL/RED	16	J05	2	42		P01	7	51	SB	NEUTRAL SAFETY
PUR	14	P01	5	51		HM01	+	02	SC	IGNITION
BLK	14	HM01	-	02		GND1	1	15		HOURMETER RET

280H/285S MCM/VP ENGINES HARNESS ASSEMBLY



12 7

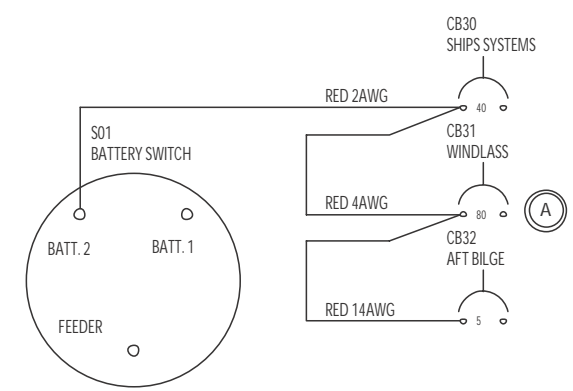
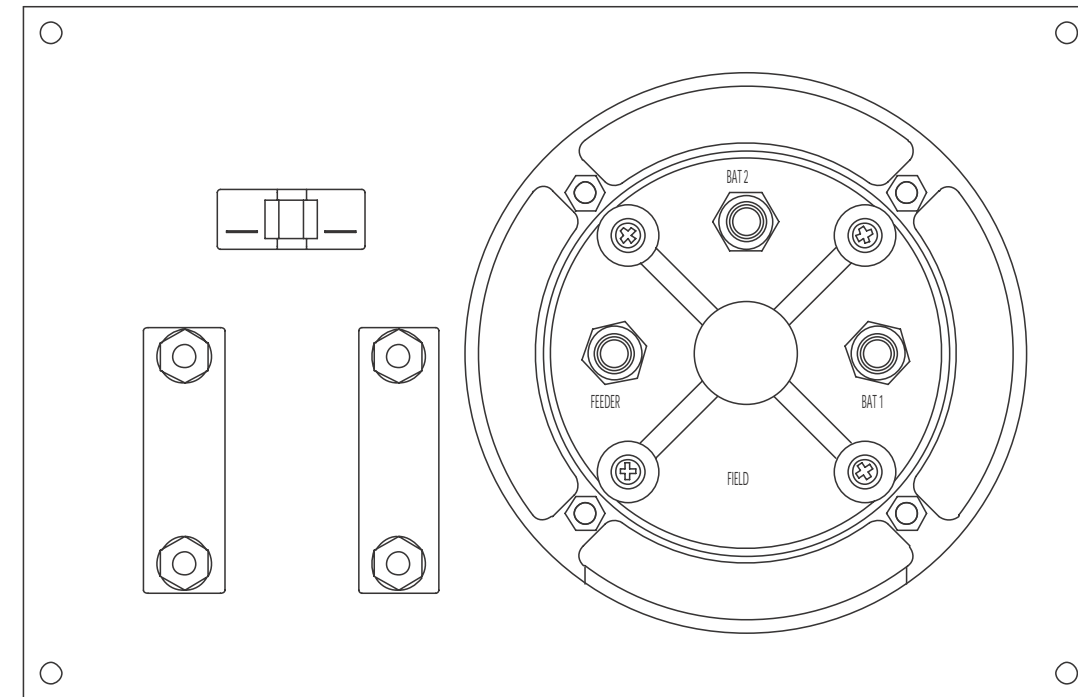
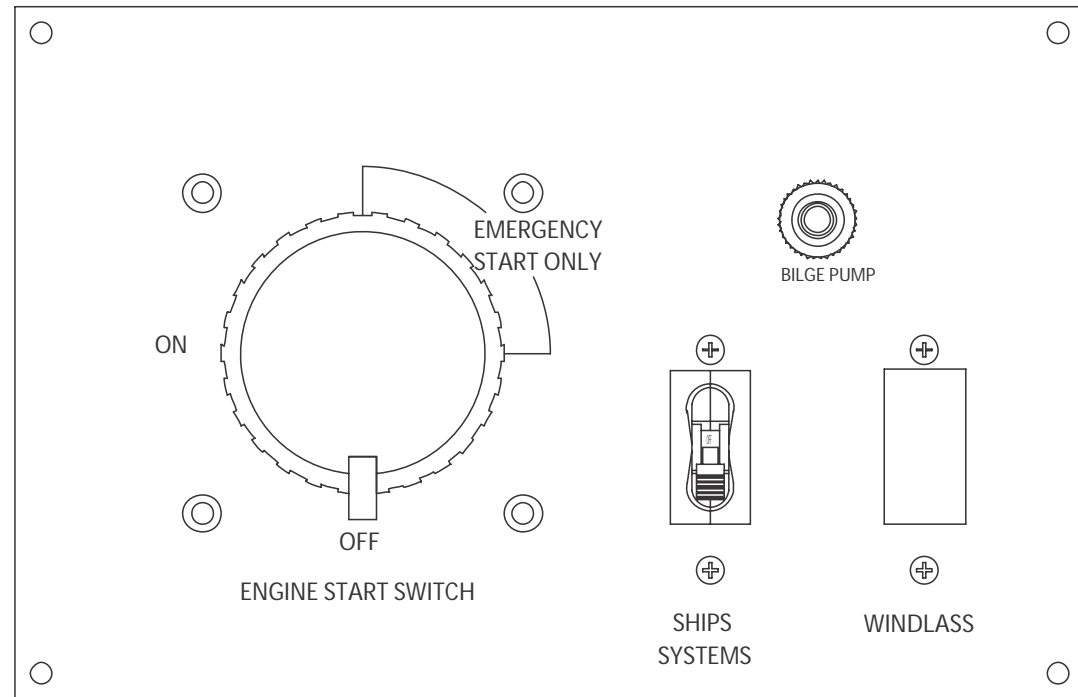


FOUR WINNS WIRE LIST

COLOR	GA	FIRST	PIN	TERM	NOTE	SECOND	PIN	TERM	NOTE	FUNCTION
BLK	16	CB01	LINE A	09		DS01	+	51		AC POWER NEON +
BLK	16	CB01	LINE B	09	SA	DS01	-	51		AC POWER NEON -
BLK	16	CB01	LINE B	09	SA	DS02	+	51		AC REV POL NEON +
BLK	16	TB02	1	09		DS02	-	51		AC REV POL NEON -
BLK	10	CB01	LOAD A	13		CB02	LINE	13		AC HOT LINE
WHT	10	CB01	LOAD B	13		TB03	1	13		AC NEUTRAL LINE

FOUR WINNS PARTS LIST

ITEM	PART NUMBER	QUANTITY	DESCRIPTION	FUNCTION	MANUFACTURER
	028-0191	3	TERM,RING,#10,16-14	09	AMP
	028-0195	4	TERM,RING,#10,12-10	13	AMP
	025-2435	1	PANEL,BLANK,AC CABIN	BLANK PANEL	
CB01	028-0484	1	BREAKER,30A DP	SHORE MAIN	CARL SW
CB02	028-0416	1	BREAKER,10A	REFRIGERATOR/CHARGER	CARL SW
CB03	028-0417	1	BREAKER,15A	OUTLETS	CARL SW
DS01	028-0531	1	NEON,250V GREEN	AC POWER	SOLICO
DS02	028-0530	1	NEON,250V RED	AC REV POL	SOLICO
TB02	028-0302	1	BUSS BAR,10 GANG	AC GROUND	WESGARDE
TB03	028-0302	1	BUSS BAR,10 GANG	AC NEUTRAL	WESGARDE



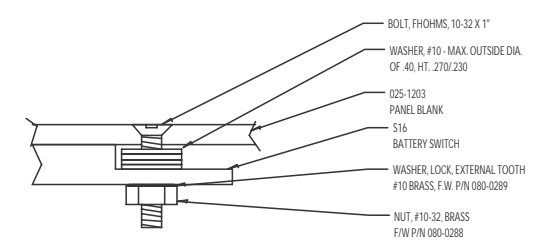
FOUR WINNS PARTS LIST

ITEM	PART NUMBER	QUANTITY	DESCRIPTION	FUNCTION	MANUFACTURER
	028-0177	1	TERM,FASTON,.250,18-14	02	AMP
	028-0192	1	TERM,RING,1/4,16-14	10	AMP
		2	TERM,RING,1/4,4	35	AMP
		1	TERM,RING,1/4,2	31	AMP
	028-0399	1	TERM,RING,3/8,2	18	
	025-2433	1	PANEL,BLANK,BATTERY SWITCH		CARL SW
	028-0470	1	BREAKER,40A		CARL SW
	028-0482	REF	BREAKER,80A		MP
(A)	CB30		BREAKER,5A		
	CB31				
	CB32				

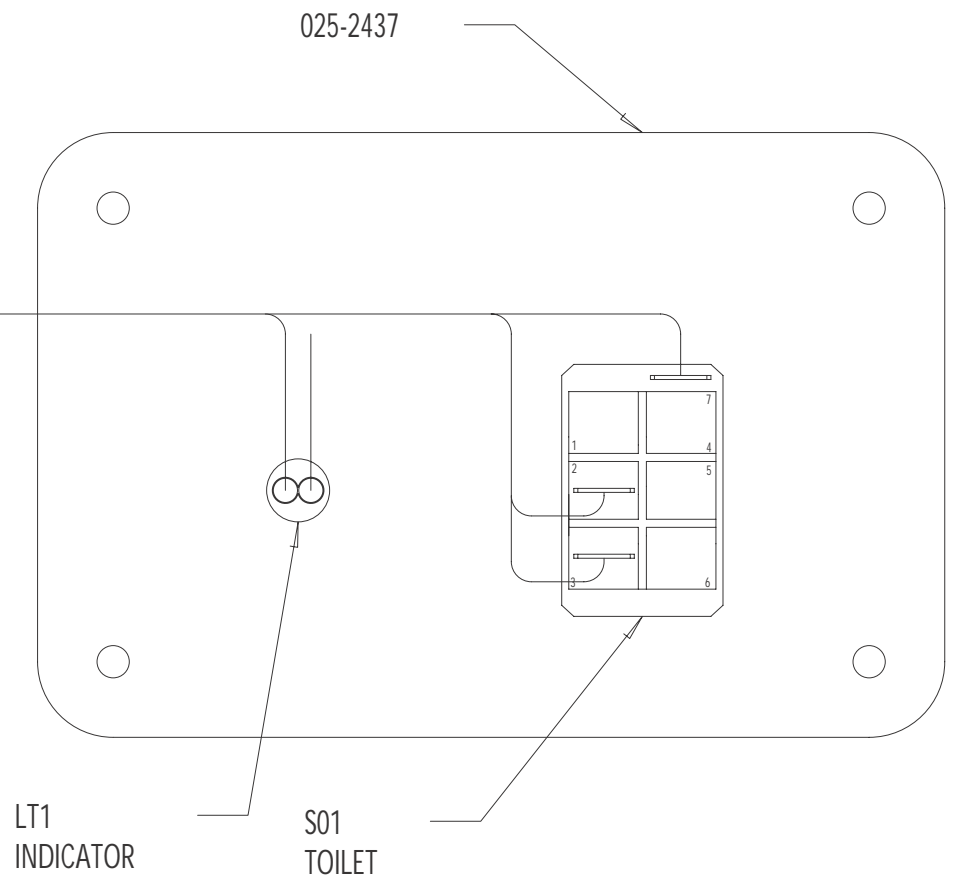
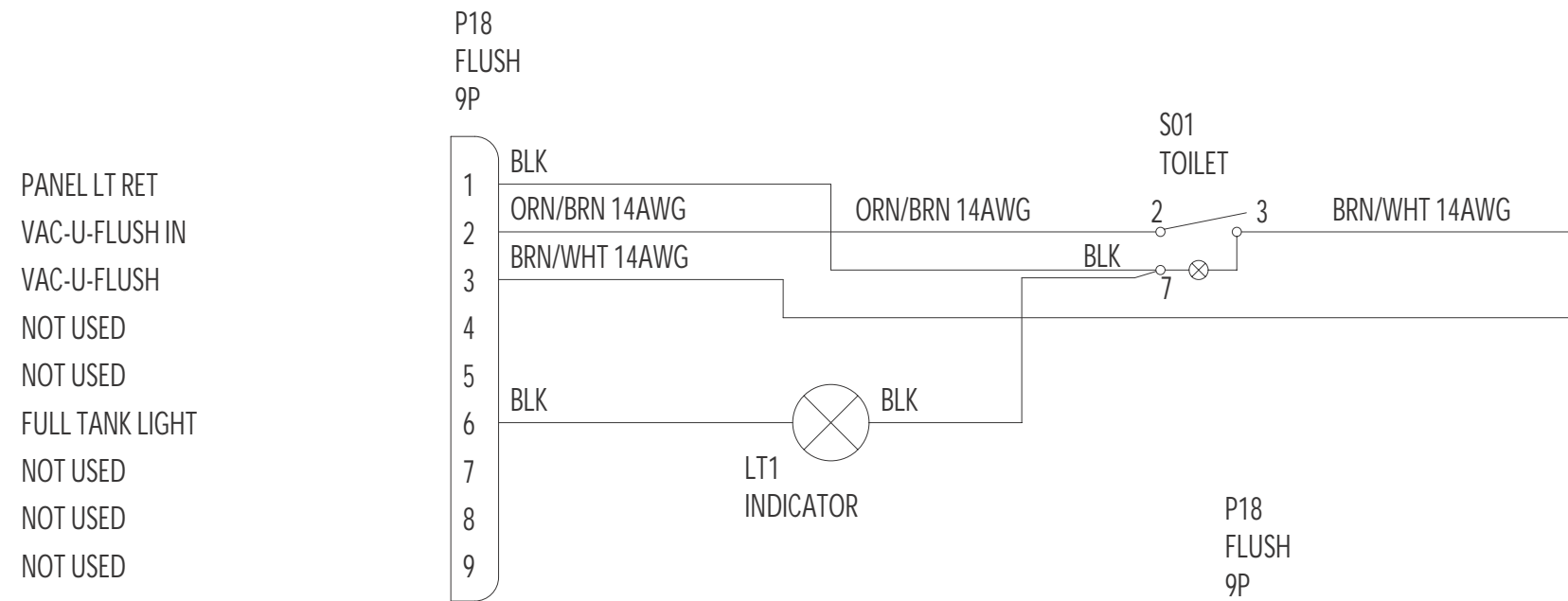
FOUR WINNS WIRE LIST

COLOR	GA	FIRST	PIN	TERM	NOTE	SECOND	PIN	TERM	NOTE	FUNCTION
(A) RED	2	S01	BATT2	18		CB30	LINE	31		SHIPS SYSTEMS
RED	4	CB30	LINE	35		CB31	LINE	35		WINDLASS
RED	14	CB31	LINE	10		CB32	LINE	02		BILGE PUMP IN

BATTERY SWITCH MOUNTING DETAIL



280H/285S BATTERY SWITCH PANEL ASSEMBLY



FOUR WINNS PARTS LIST

ITEM	PART NUMBER	QUANTITY	DESCRIPTION	FUNCTION	MANUFACTURER
	028-0177	3	RECEPT,FASTON,,250,18-14	02	AMP
	028-0390	4	PIN,UMNL,18-14	41	AMP
	025-2437	1	PANEL,BLANK,TOILET	BLANK	
J18	028-0449	1	PLUG,UMNL,9 CKT	FLUSH	AMP
LT1		1	INDICATOR, RED 12V	FULL LIGHT	SOLICO
S01	028-0457	1	SWITCH,SPST,CONT III	FLUSH	CARL SW

FOUR WINNS WIRE LIST

COLOR	GA	FIRST	PIN	TERM	NOTE	SECOND	PIN	TERM	NOTE	FUNCTION
BLK	16	P18	1	41		S01	7	02	SA	SWITCH LT RET
ORN/BRN	14	P18	2	41		S01	2	02		VAC-U-FLUSH IN
BRN/WHT	14	P18	3	41		S01	3	02		VAC-U-FLUSH
BLK	16	LT1	1	51		P18	6	41		FULL LIGHT
BLK	16	LT1	2	51		S01	7	02	SA	FULL LIGHT



FOUR WINNS[®]

Part # 090-2695

FOUR WINNS L.L.C.

<https://www.boat-manuals.com/>