

292 FASTECH SYSTEMS DIAGRAMS TABLE OF CONTENTS

DC CIRCUITS

ALARM, HIGH WATER.....	.04
BATTERY CHARGING, ALT.....	.05A
BLOWERS, BILGE.....	.06
BOLSTER SEAT.....	.07A
CAPTAIN'S CALL.....	.07B
CO SENSOR.....	.08A
DC SUPPLY.....	.05B
DEPTH SOUNDER.....	.09A
ENGINE HATCH.....	.09B
FIRE SYSTEM.....	.10A
FUEL SYSTEM.....	.30
FUME DETECTOR.....	.08B
HORN.....	.10B
IGNITION GASOLINE.....	.11
PANELS ACCESSORY.....	.12
AFT BREAKER.....	.13
DASH BREAKER.....	.14
IGNITION.....	.15
MAIN DASH.....	.16
SHIFTER.....	.17
LIGHTS CABIN AREA FLOOR.....	.18A
OVERHEAD.....	.18B
V-BERTH.....	.19A
COURTESY.....	.19B
DOCKING.....	.20A
NAV/ANCH.....	.20B
MACERATOR ELECTRICAL.....	.21A
PLUMBING.....	.21B

DC CIRCUITS

MERCATHODE.....	.22
OUTDRIVES.....	.23A
OUTLETS 12V DC CABIN.....	.24A
COCKPIT.....	.24B
PUMPS BILGE, ENGINE.....	.25
FRESH WATER ELECTRICAL.....	.26A
PLUMBING.....	.26B
STEREO COMPONENT LOCATION.....	.27A
COMPLETE WIRING.....	.27B
TRIM SYSTEM MERC 5.7.....	.28
TRIM TABS.....	.23B
VHF RADIO.....	.29

OTHER

CONTENTS.....	.01
WIRE COLORS.....	.02
HARNESS & PIGTAIL #'S.....	.03
BONDING.....	.31



WIRE COLORS AND ABBREVIATIONS

BLACK	-----BK
BLUE	-----BL
BROWN	-----BN
GRAY	-----GY
GREEN	-----GN
ORANGE	-----OR
PINK	-----PK
PURPLE	-----PR
RED	-----RD
TAN	-----TN
WHITE	-----WT
YELLOW	-----YL

COMMON COLOR CODES

BL/RD/RD

NOTE :

COLOR OF WIRE MAY HAVE LT. OR DK. BEFORE THE COLOR CODE. THIS STATES THAT THE WIRE IS EITHER LIGHT OR DARK COLORED.

EXAMPLE: LT.BL/BK = LIGHT BLUE WIRE WITH A BLACK STRIPE.

CODE	COLOR	STRIPE	STRIPE
BK	BLACK		
BL/RD/RD	BLUE	RED	RED
BN/WT/RD	BROWN	WHITE	RED
GY/BN/BN	GRAY	BROWN	BROWN
GN/BL/BL	GREEN	BLUE	BLUE
OR/RD/BN	ORANGE	RED	BROWN
PK/RD	PINK	RED	
PR/WT/WT	PURPLE	WHITE	WHITE
RD/PK	RED	PINK	
TN/RD	TAN	RED	
WT/PR	WHITE	PURPLE	
YL	YELLOW		

202 FACTBOOK HARNESS AND PIGTAIL #'S

12V HARNESSES

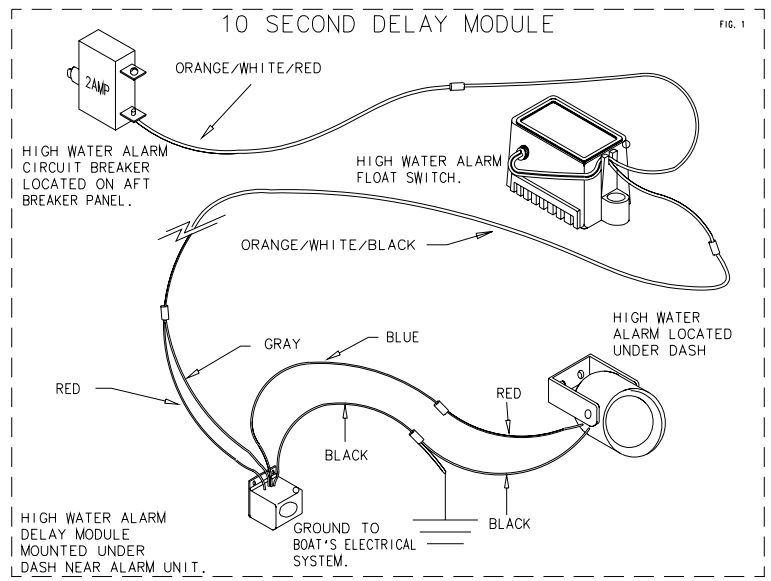
DECK HARNESS.....	122466
HULL HARNESS.....	122116

12V PIGTAILS

ACCESSORY PANEL.....	61316
AFT CIRCUIT BREAKER.....	9108
DASH CIRCUIT BREAKER.....	61320
DASH GAUGES.....	3471
IGNITION.....	61315
INSTRUMENT PANEL.....	6704
RADAR ARCH.....	63889
SPOTLIGHT.....	62947
STEREO CABINET.....	122467
TRIM SWITCHES.....	122465
V-BERTH.....	122469
VOL-CONTROL.....	103447



LEGEND	
GROUND	
BREAKER	
FLOAT SWITCH	
ALARM	
PLUG	



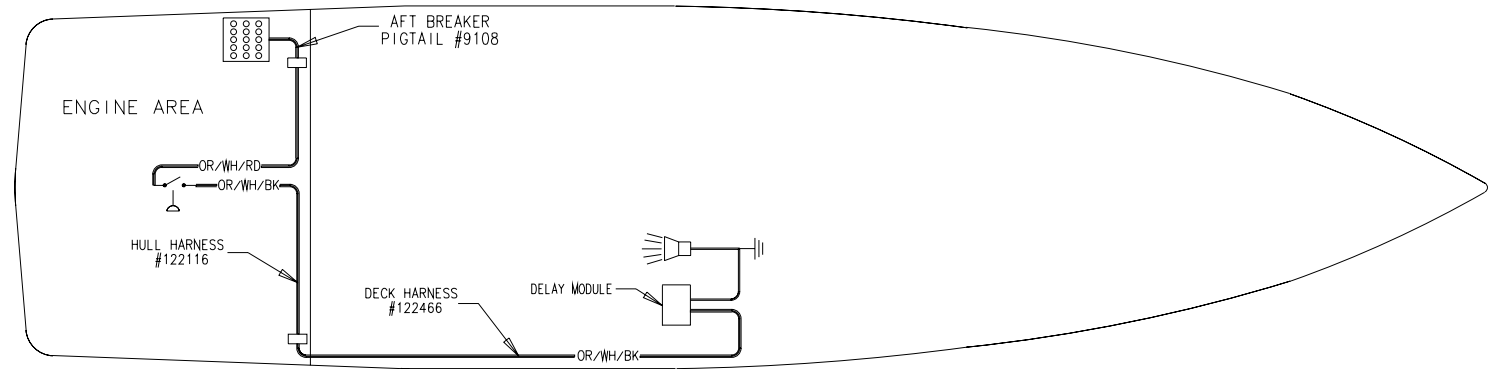
NOTE:

THE BATTERY SELECTOR SWITCH DOES NOT NEED TO BE SWITCHED TO "ON" FOR THE HIGH WATER ALARM TO WORK.




WHEN WATER IN THE ENGINE BILGE IS AT A LEVEL THAT MAY REQUIRE MANUAL PUMPING, THE UNDER DASH ALARM WILL SOUND.

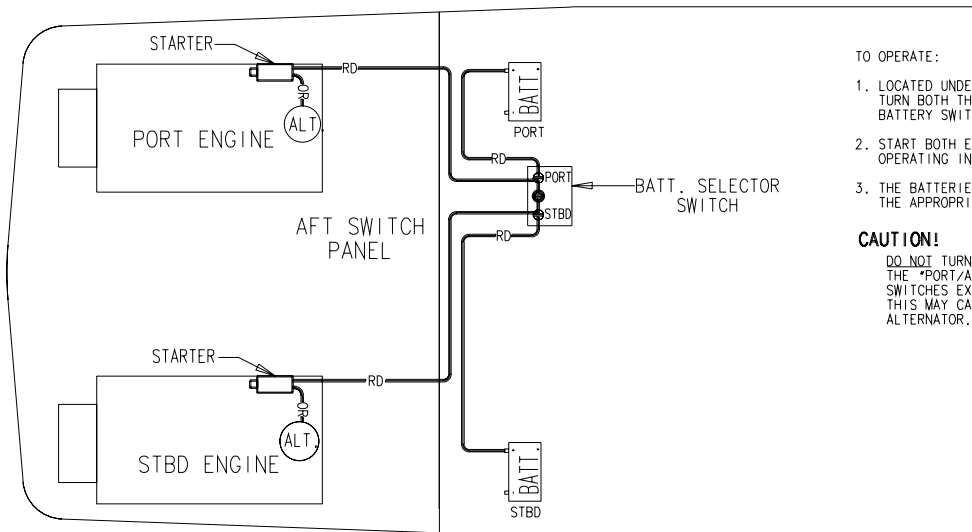
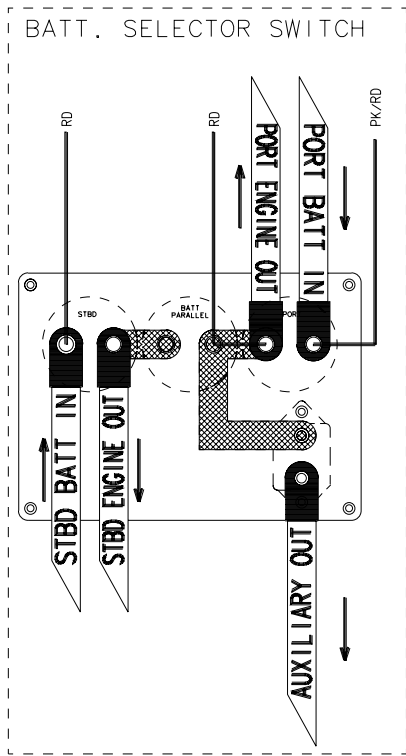
WHEN ALARM SOUNDS:

1. CHECK ENGINE ROOM AND CABIN FOR HIGH WATER.
2. CHECK BILGE PUMPS TO SEE IF THEY ARE FUNCTIONING PROPERLY.
3. CONSULT MARINA'S SERVICE DEPARTMENT OR CALL FORMULA'S TECHNICAL ASSISTANCE GROUP.



LEGEND

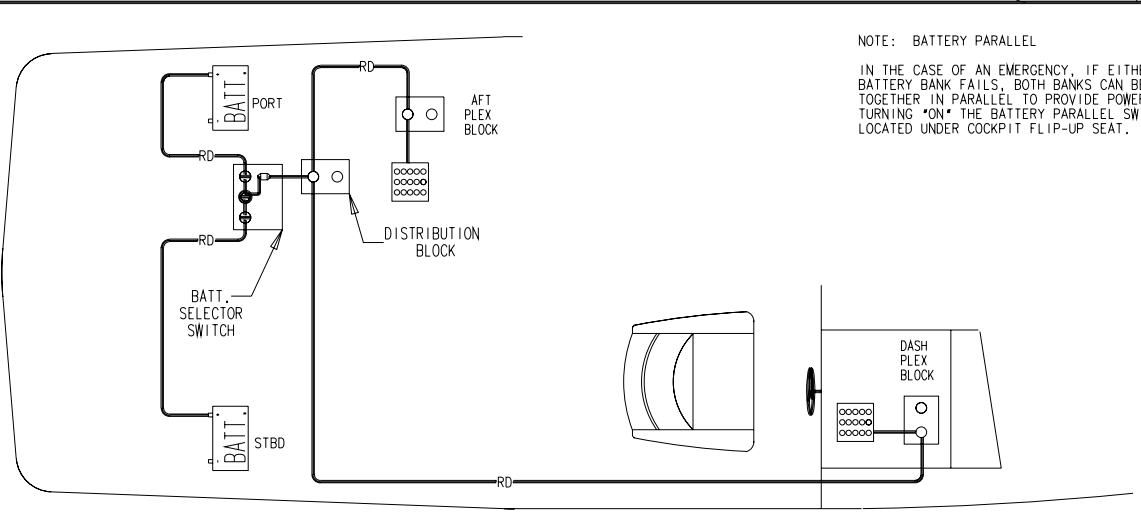
- BATTERY 
- ALTERNATOR 
- BREAKER PANEL 



- TO OPERATE:
1. LOCATED UNDER THE COCKPIT FLIP-UP SEAT, TURN BOTH THE "PORT/AUX" AND "STBD" BATTERY SWITCHES TO THE ON POSITION.
 2. START BOTH ENGINES BY FOLLOWING THE OPERATING INSTRUCTIONS ON PAGE #11.
 3. THE BATTERIES ARE NOW BEING CHARGED BY THE APPROPRIATE ALTERNATOR.

CAUTION!
DO NOT TURN "OFF" THE ENGINES USING THE "PORT/AUX START" OR "STBD START" SWITCHES EXCEPT IN AN EMERGENCY! THIS MAY CAUSE SEVERE DAMAGE TO THE ALTERNATOR.

TITLE: BATTERY CHARGING, ALTERNATORS
 MOD.: 292 FASTech
 DR BY: SAJ **05A**



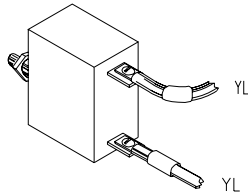
NOTE: BATTERY PARALLEL
 IN THE CASE OF AN EMERGENCY, IF EITHER BATTERY BANK FAILS, BOTH BANKS CAN BE TIED TOGETHER IN PARALLEL TO PROVIDE POWER BY TURNING "ON" THE BATTERY PARALLEL SWITCH LOCATED UNDER COCKPIT FLIP-UP SEAT.

TITLE: DC SUPPLY
 MOD.: 292 FASTech
 DR BY: SAJ **05B**

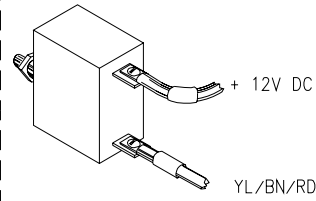


LEGEND	
GROUND	
BREAKER	
PLUGS	
BLOWER	

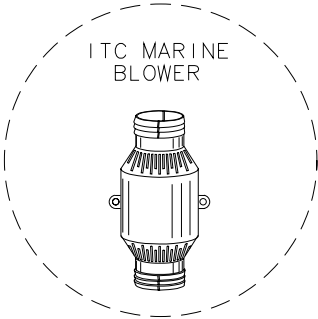
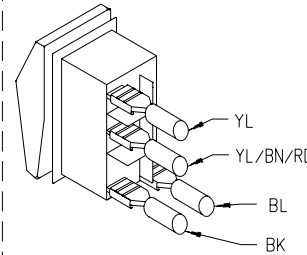
BLOWER BKR 6A
(AFT BKR PANEL)
(REAR VIEW)



BLOWER BKR 15A
(DASH BKR PANEL)
(REAR VIEW)



BLOWER SWITCH
(IGNITION PANEL)
(REAR VIEW)

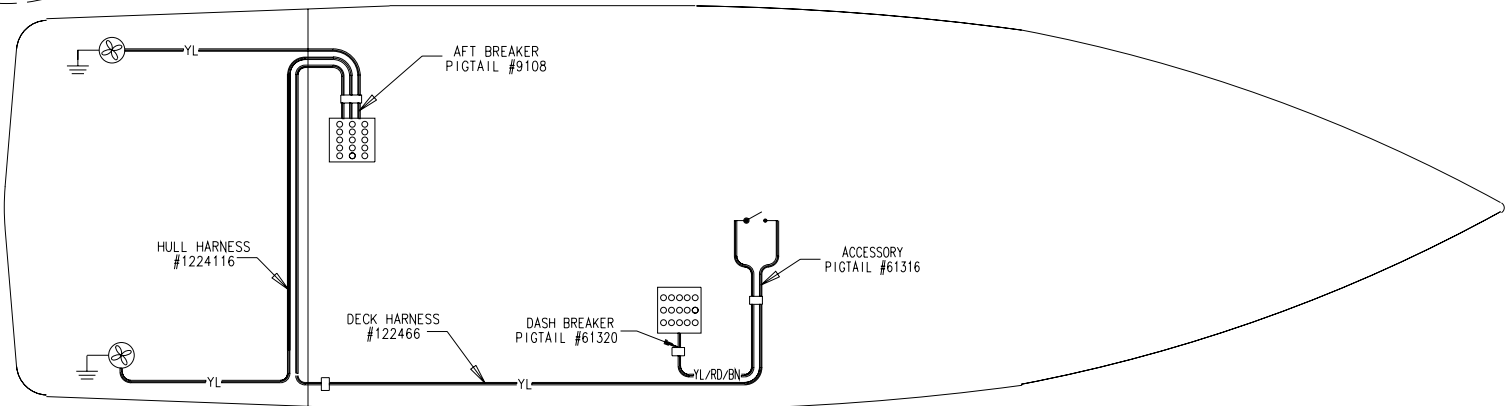


WARNING!

GASOLINE VAPORS CAN EXPLODE,
BEFORE STARTING ENGINES:
-CHECK ENGINE BILGE FOR GASOLINE
VAPORS
-OPERATE BLOWERS FOR 4 MINUTES
RUN BLOWERS BELOW CRUISING SPEED.

TO OPERATE:

1. LOCATED UNDER COCKPIT FLIP-UP SEAT, TURN THE PORT BATTERY SWITCH TO "ON".
2. ON THE DASH BREAKER PANEL, THE "BILGE BLOWER" BREAKER MUST BE PUSHED IN (CLOSED).
3. ON THE AFT BREAKER PANEL, BOTH OF THE "BLOWER" BREAKERS MUST BE PUSHED IN (CLOSED).
4. THE BLOWERS CAN NOW BE OPERATED BY THE "BLOWER" SWITCH ON THE IGNITION PANEL.




THUNDERBIRD
PRODUCTS
ENGINEERING

TITLE: BLOWERS, ENGINE BILGE	
MOD.: 292 FASTech	06
DR BY: SAJ	


LEGEND

GROUND 

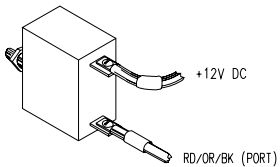
SWITCH 

PLUG 

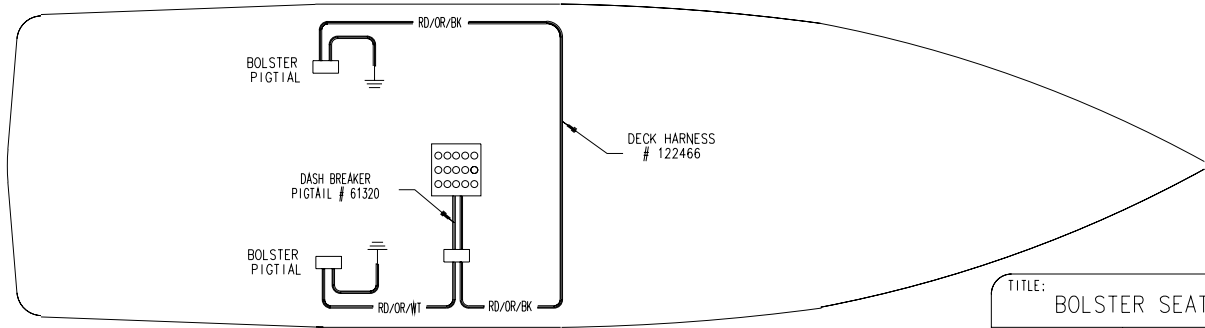
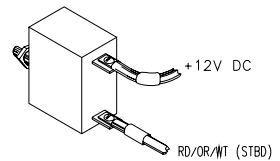
ENGINE PLUG 

BREAKER PANEL 

PORT BOLSTER SEAT 15A
(DASH BKR PANEL)
(REAR VIEW)



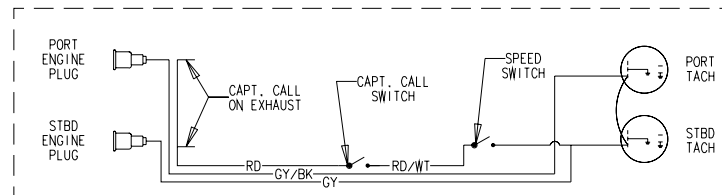
STBD BOLSTER SEAT 15A
(DASH BKR PANEL)
(REAR VIEW)



TITLE: BOLSTER SEAT
MOD.: 292 FASTech 07A
DR BY: SAJ

TO OPERATE:

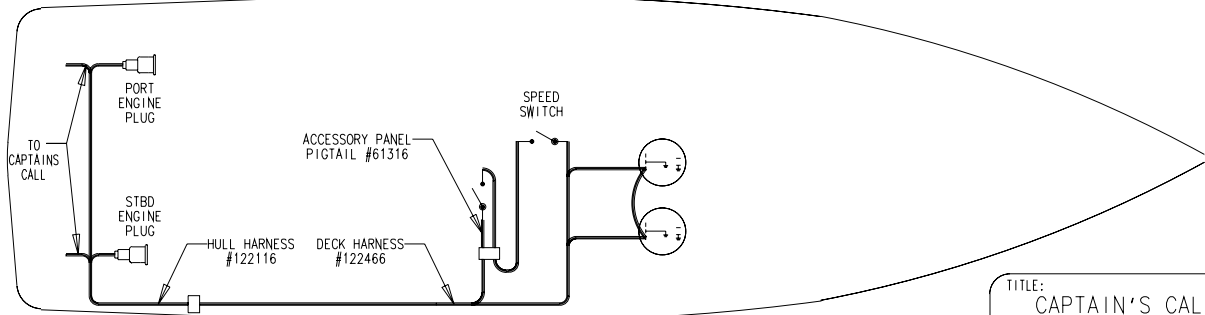
1. LOCATED UNDER COCKPIT AFT FLIP UP SEAT, TURN THE PORT BATTERY SWITCH TO "ON".
2. ON DASH BREAKER PANEL, THE "FOOT/SEAT" BREAKERS MUST BE PUSHED IN (CLOSED).
3. THE BOLSTER SEAT CAN NOW BE RAISED AND LOWERED BY A SWITCH, LOCATED ON EACH SEAT'S ARM REST.



TO OPERATE:

1. LOCATED UNDER THE COCKPIT FLIP-UP SEAT, TURN THE PORT BATTERY SWITCH TO "ON".
2. THE CAPTIAN'S CALL CAN BE OPERATED BY "CAPT. CALL" SWITCH LOCATED ON THE ACCESSORY PANEL.

NOTE: THE CAPTIAN'S CALL WILL NOT OPERATE UNTIL EITHER ENGINE HAS REACHED 3000 RPM'S.



TITLE: CAPTAIN'S CALL
MOD.: 292 FASTech 07B
DR BY: SAJ



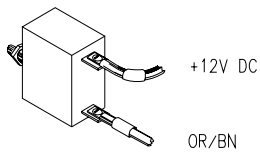
LEGEND

GROUND 

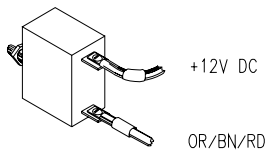
PLUG 

DASH BREAKER 

12 VOLT OUTLET BKR 15A
(DASH BKR PANEL)
(REAR VIEW)



ELECTRONICS BKR 10A
(DASH BKR PANEL)
(REAR VIEW)

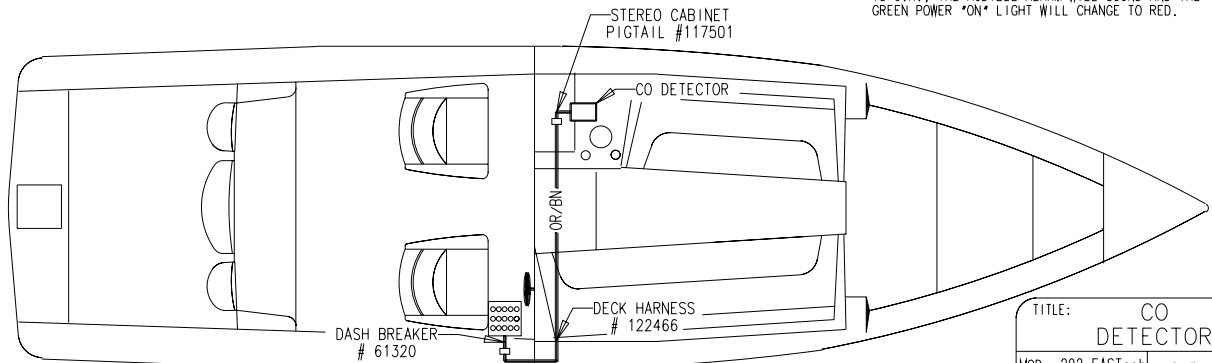


THUNDERBIRD
PRODUCTS
ENGINEERING

NOTE: THE CO DETECTOR PROVIDES AN AUDIBLE AND VISUAL ALARM IF CARBON MONOXIDE IS PRESENT IN THE CABIN AREA.

TO OPERATE:

1. LOCATED UNDER THE COCKPIT FLIP-UP SEAT, TURN THE PORT BATTERY SWITCH TO "ON".
2. ON DASH BREAKER PANEL, SWITCH THE "12 VOLT OUTLET" BREAKER TO "ON".
3. CHECK THE CO SENSOR TO BE SURE THE GREEN POWER "ON" INDICATOR IS ILLUMINATED.
4. AFTER THE INITIAL TEN (10) MINUTE WARM-UP PERIOD, PRESS THE "TEST" BUTTON. IF THE SENSOR IS O.K., THE AUDIBLE ALARM WILL SOUND AND THE GREEN POWER "ON" LIGHT WILL CHANGE TO RED.



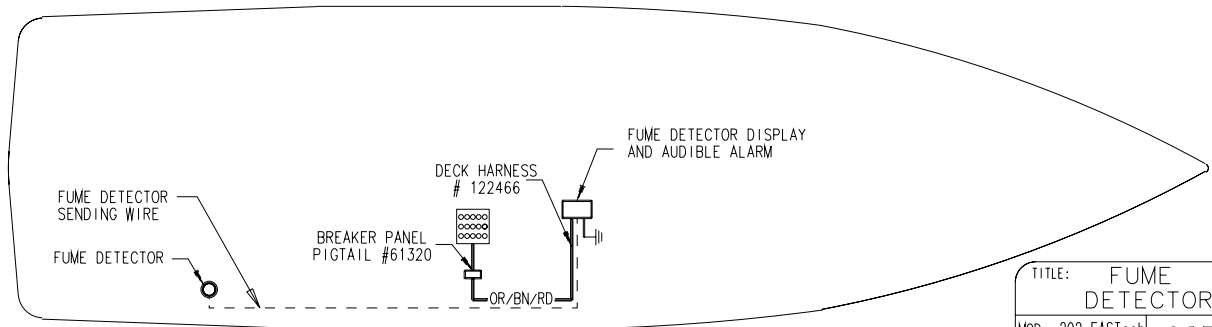
TITLE: CO
DETECTOR
MOD.: 292 FASTech
DR BY: SAJ 08A

NOTE: THE FUME DETECTOR PROVIDES AN AUDIBLE AND VISUAL ALARM IF EXPLOSIVE GASES ARE PRESENT IN THE ENGINE BILGE AREA.

TO OPERATE:

IN THE EVENT THE DETECTOR GOES INTO THE ALARM MODE, OPERATE THE ENGINE BLOWERS AND INSPECT FOR THE SOURCE.

1. LOCATED UNDER THE COCKPIT FLIP-UP SEAT, TURN THE PORT BATTERY SWITCH TO "ON".
2. ON DASH BREAKER PANEL THE "ELECTRONICS" BREAKER MUST BE PUSHED IN (CLOSED).
3. PRESS THE "ON" BUTTON LOCATED UPON THE DETECTOR FACE.
4. PRESS "TEST"



TITLE: FUME
DETECTOR
MOD.: 292 FASTech
DR BY: SAJ 08B

LEGEND

GROUND 

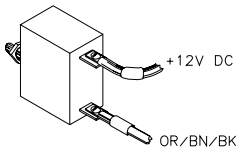
BREAKER PANEL 

BLOWER 

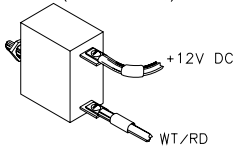
PLUG 

SWITCH 

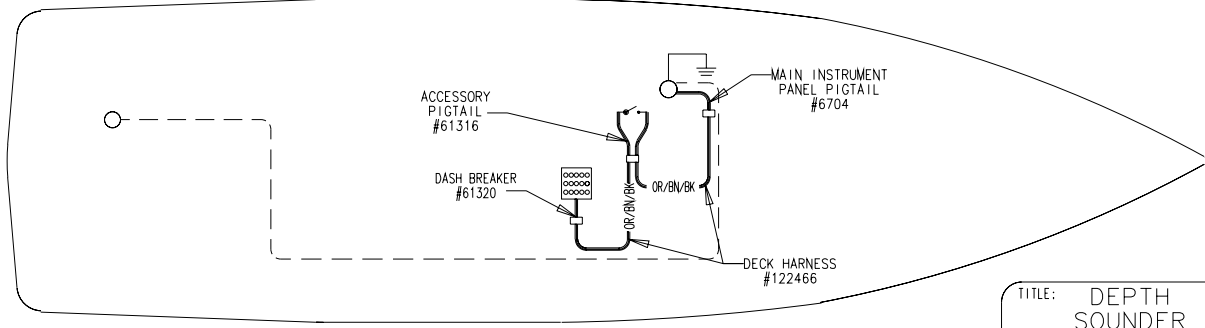
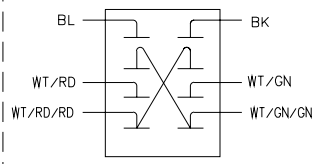
ELECTRONIC'S BKR 10A
(DASH BKR PANEL)
(REAR VIEW)



ENG. HATCH BKR 20A
(DASH BKR PANEL)
(REAR VIEW)

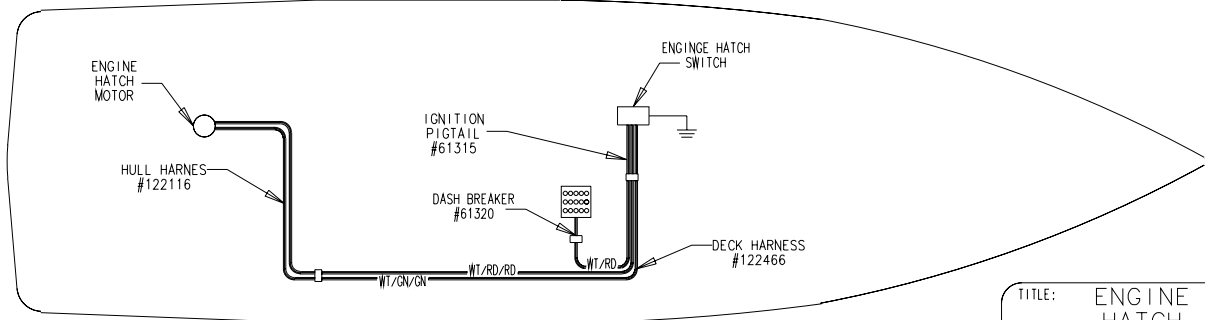


ENGINE HATCH SWITCH
(IGNITION PANEL)
(REAR VIEW)



- TO OPERATE:
1. LOCATED UNDER THE COCKPIT FLIP-UP SEAT, PORT SIDE, TURN THE PORT BATTERY SWITCH TO "ON".
 2. ON THE DASH BREAKER PANEL THE "ELECTRONICS" BREAKER MUST BE PUSHED IN (CLOSED).
 3. THE DEPTH SOUNDER CAN NOW BE OPERATED BY THE "DEPTH" SWITCH ON THE ACCESSORY PANEL.

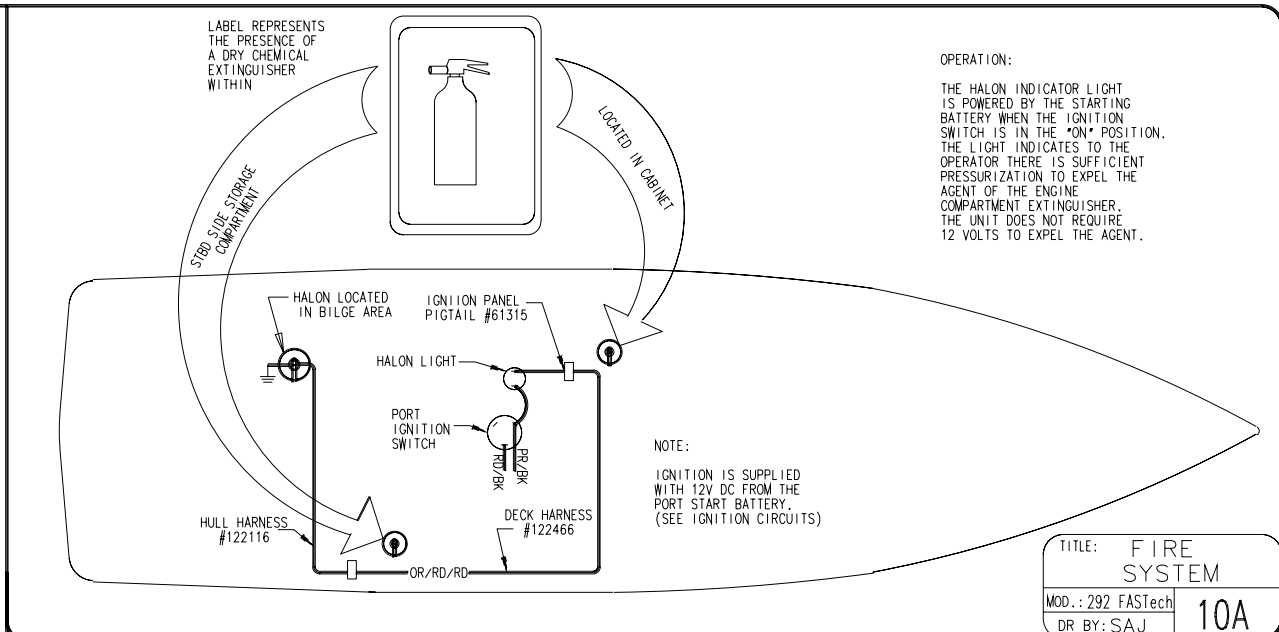
TITLE: DEPTH SOUNDER
MOD.: 292 FASTech
DR BY: SAJ 09A



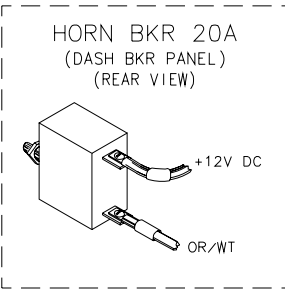
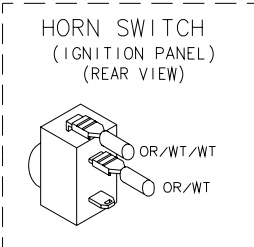
- TO OPERATE:
1. LOCATED UNDER THE COCKPIT FLIP-UP SEAT, PORT SIDE, TURN THE PORT BATTERY SWITCH TO "ON".
 2. ON THE DASH BREAKER PANEL THE "ENGINE HATCH" BREAKER MUST BE PUSHED IN (CLOSED).
 3. THE ENGINE HATCH CAN NOW BE OPERATED BY THE "ENGINE HATCH" SWITCH ON THE IGNITION PANEL.

TITLE: ENGINE HATCH
MOD.: 292 FASTech
DR BY: SAJ 09B

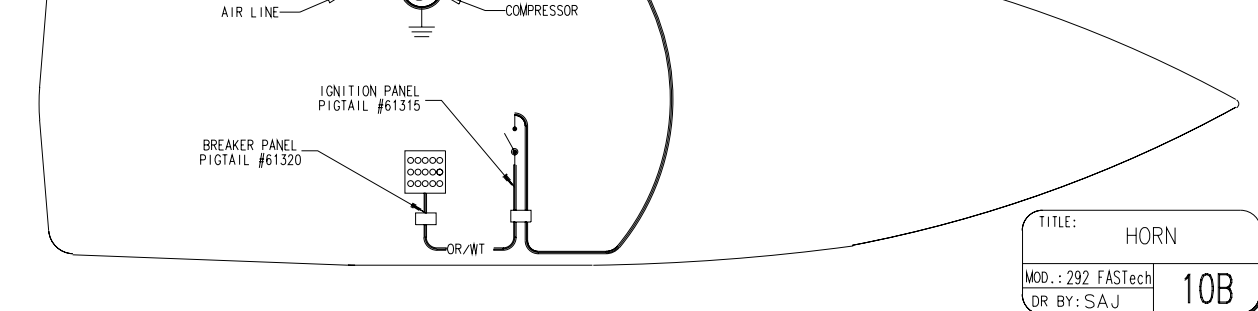
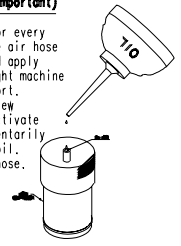
LEGEND	
GROUND	
HALON LIGHT	
PLUG	
FIRE EXTINGUISHER	
IGNITION	
HORN	



TITLE: FIRE SYSTEM
 MOD.: 292 FASTech
 DR BY: SAJ 10A



HORN COMPRESSOR MAINTENANCE
LUBRICATION (Very important)
 Lubricate compressor every 4-5 months. Remove air hose from compressor and apply 3 to 4 drops of light machine oil into the air port. Let oil set for a few minutes and then activate the compressor momentarily to distribute the oil. Reconnect the air hose.



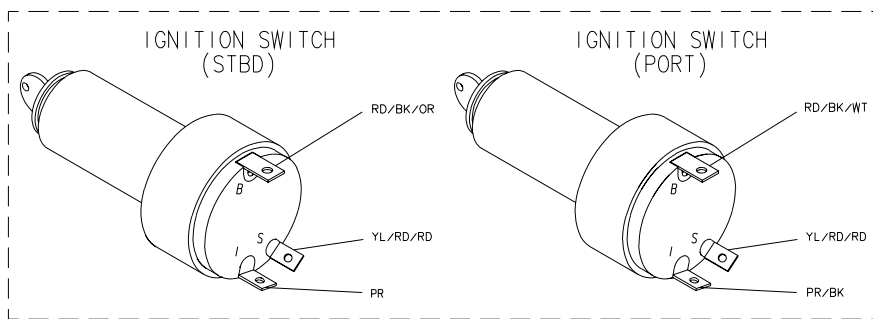
- TO OPERATE:
1. LOCATED UNDER THE COCKPIT FLIP-UP SEAT, TURN THE PORT BATTERY SWITCH TO *ON*.
 2. ON THE DASH BREAKER PANEL, THE *HORN* BREAKER MUST BE PUSHED IN (CLOSED).
 3. THE HORN CAN NOW BE OPERATED BY THE *HORN* SWITCH ON THE IGNITION PANEL.

TITLE: HORN
 MOD.: 292 FASTech
 DR BY: SAJ 10B



LEGEND

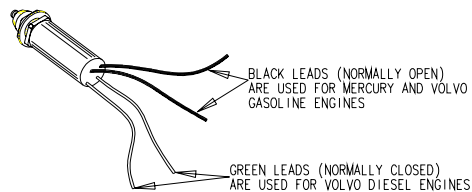
GROUND	
IGNITION SWITCH	
BREAKER PANEL	



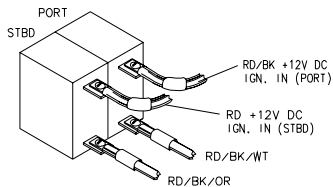
TO OPERATE:

1. LOCATED UNDER THE COCKPIT FLIP-UP SEAT, TURN THE BATTERY SWITCHES TO "ON".
2. THIS WILL ALLOW BOTH THE FUME DETECTOR AND THE ENGINE BLOWERS TO OPERATE WHEN NEEDED.
3. LOCATED ON THE UNDER DASH BREAKER PANEL IGN. BREAKERS MUST BE PUSHED IN "CLOSED".
4. ENGINES ARE NOW READY TO BE STARTED BY TURNING THE IGNITION SWITCHES CLOCKWISE.

IGNITION SAFETY SHUT DOWN SWITCH

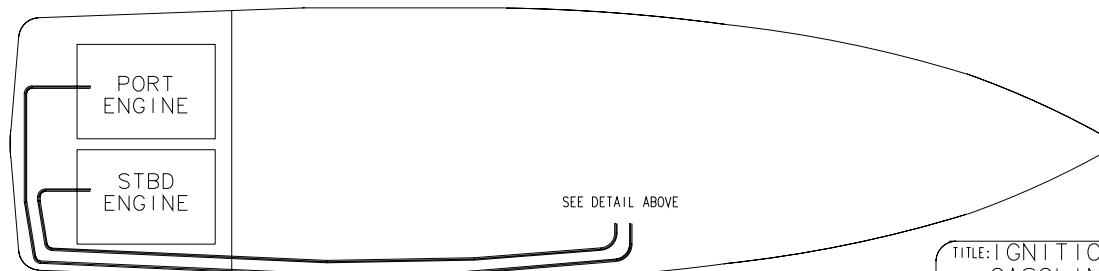
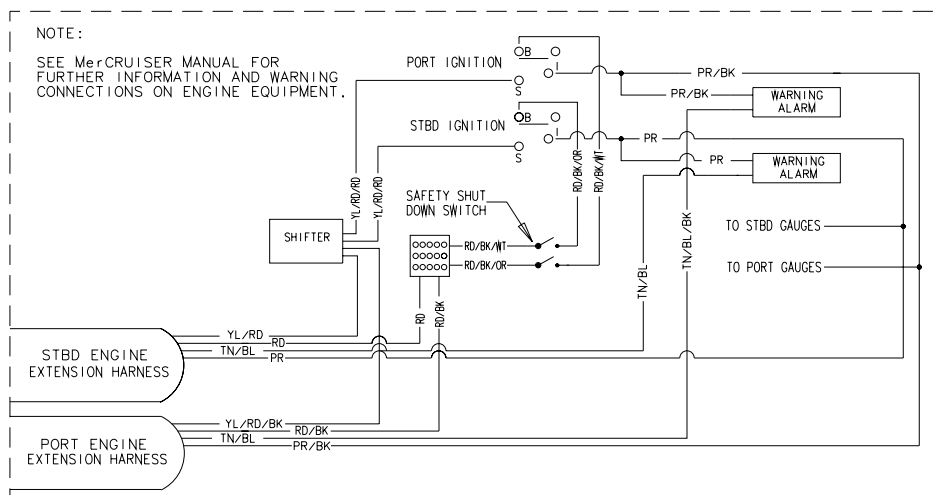


IGNITION BKRS 20A (DASH BKR PANEL) (REAR VIEW)

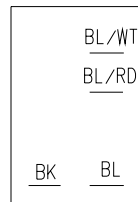


NOTE:

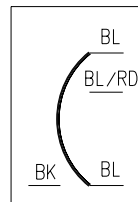
SEE MerCRUISER MANUAL FOR FURTHER INFORMATION AND WARNING CONNECTIONS ON ENGINE EQUIPMENT.



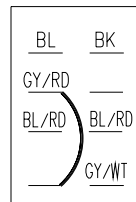
292 FASTech ACCESSORY PANEL (REAR VIEW)



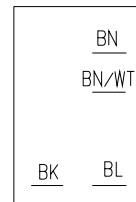
COURTESY
LIGHTS



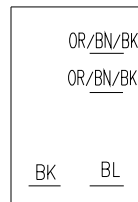
PANEL
LIGHTS



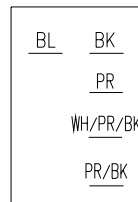
NAV/ANCH
LIGHT



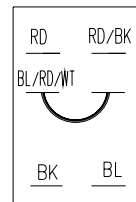
BILGE
PUMP



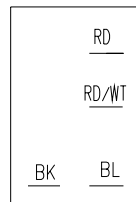
DEPTH
SOUNDER



VOLT



DOCKING
LIGHTS



EXHAUST

CODE	COLOR	STRIPE	STRIPE
BL	BLUE		
BL/RD	BLUE	RED	
BL/WT	BLUE	WHITE	
BL/WT/RD	BLUE	WHITE	RED
BK	BLACK		
BN	BROWN		
BN/WT	BROWN	WHITE	
GY/RD	GRAY	RED	
GY/WT	GRAY	WHITE	
OR/BN/BK	ORANGE	BROWN	BLACK
RD	RED		
RD/BK	RED	BLACK	
RD/WT	RED	WHITE	

PANEL #175086

PIGTAIL #61316

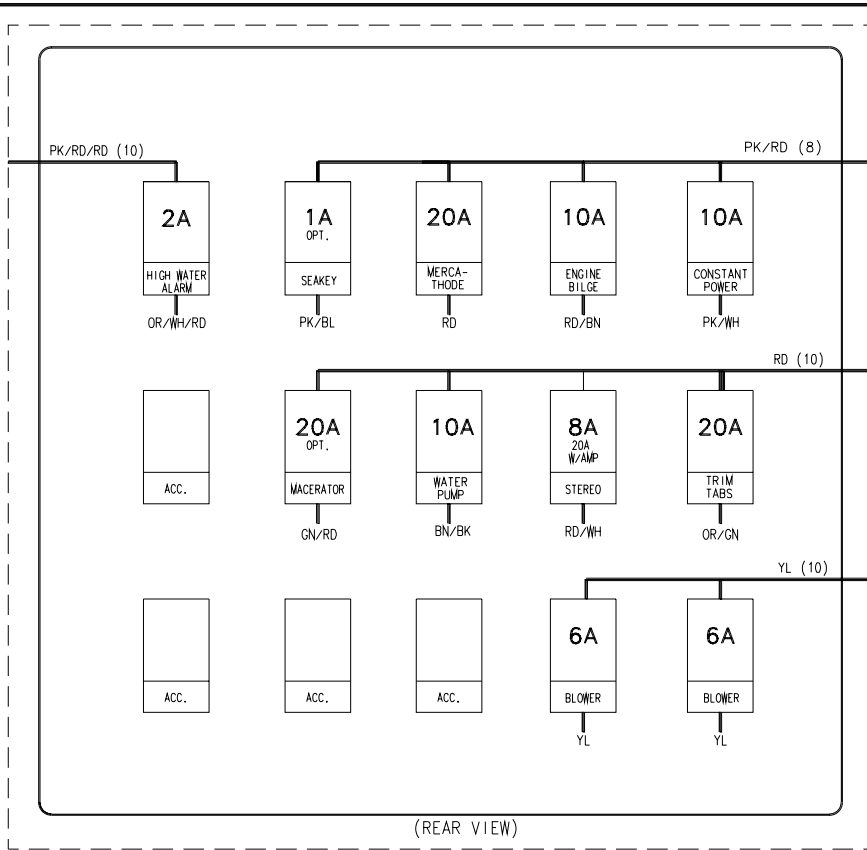


THUNDERBIRD
PRODUCTS
ENGINEERING

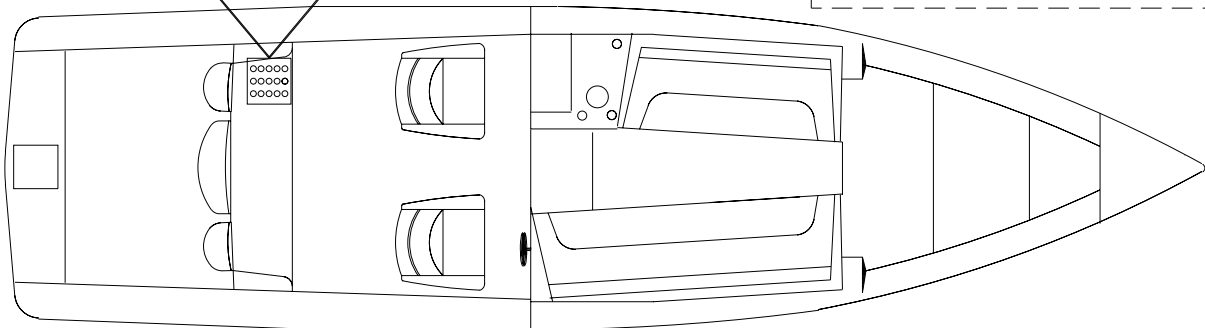
TITLE: ACCESSORY
PANEL
MOD.: 292 FASTech
DR BY: SAJ

12

AFT BREAKER PANEL
(LOCATED UNDER COCKPIT
AFT FLIP-UP SEAT)



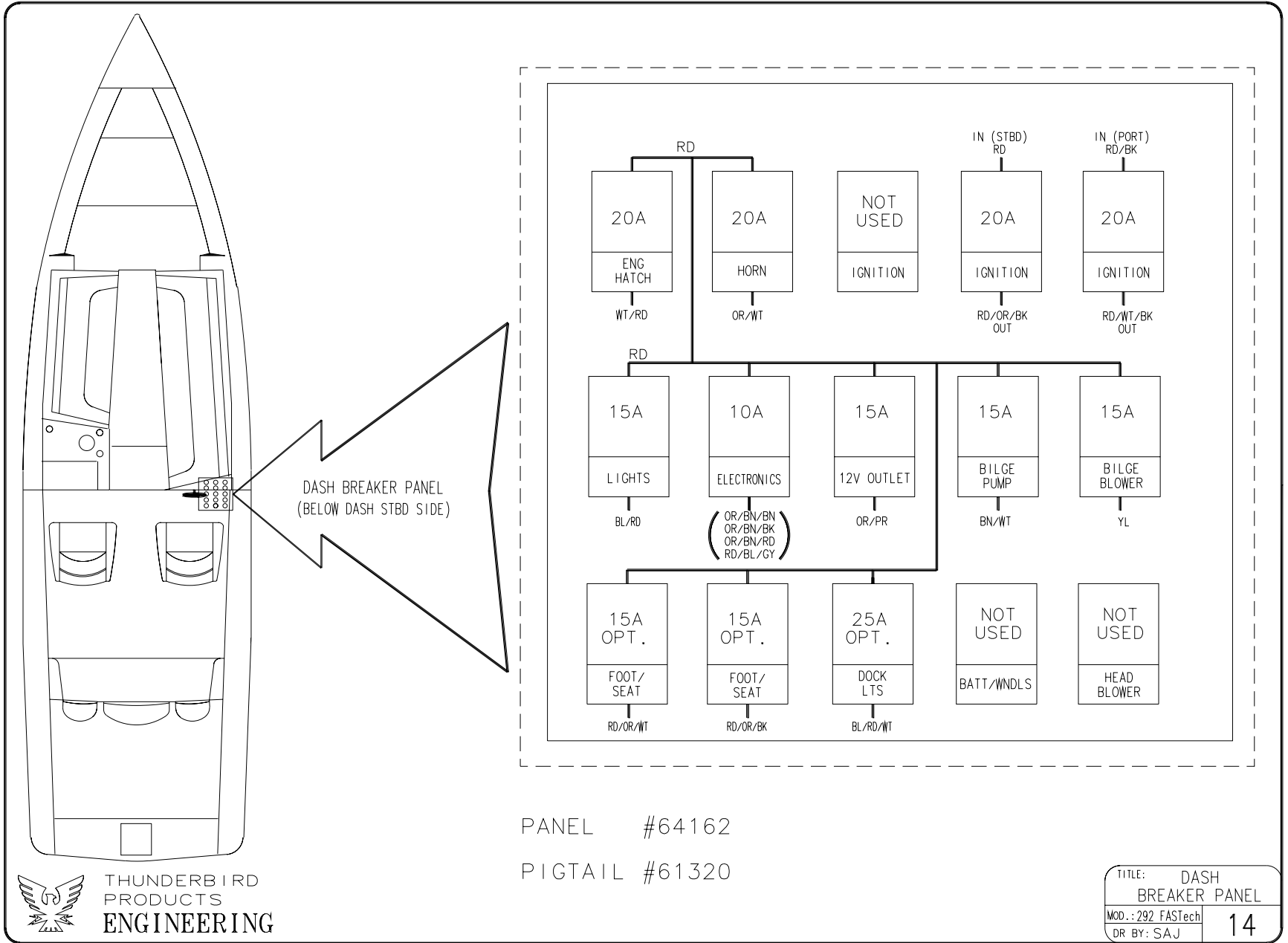
(REAR VIEW)



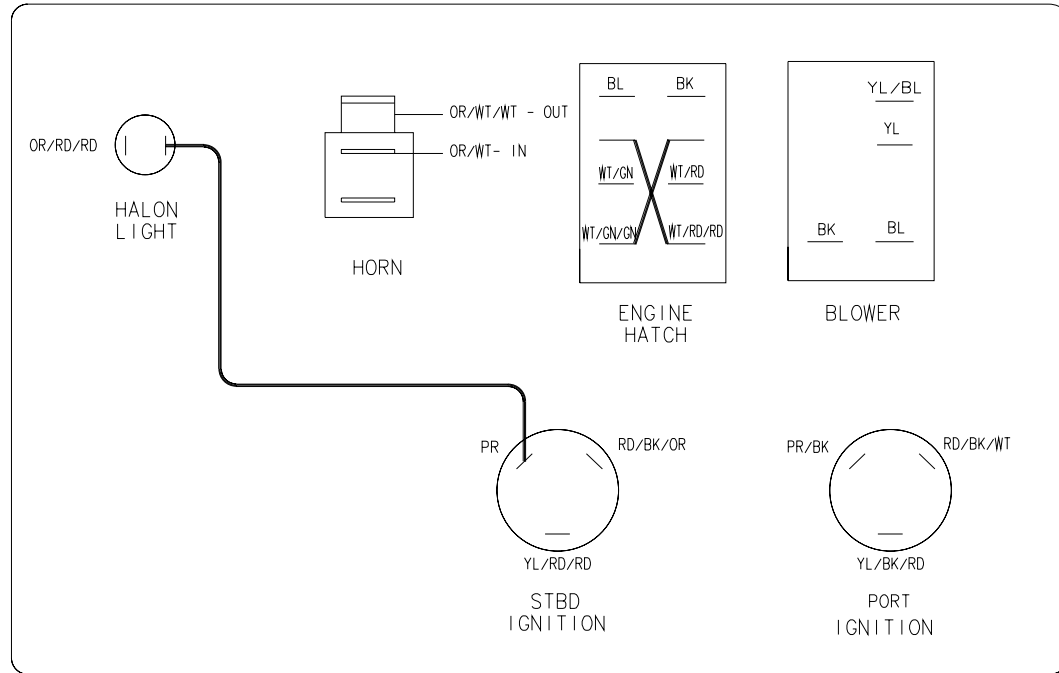
PANEL #185111
PIGTAIL #9108

 THUNDERBIRD
PRODUCTS
ENGINEERING

TITLE: AFT BREAKER PANEL	
MOD.: 292 FASTech	13
DR BY: SAJ	



IGNITION PANEL 292 FASTech (REAR VIEW)



CODE	COLOR	STRIPE	STRIPE
BK	BLACK		
BL	BLUE		
OR/RD/RD	ORANGE	RED	RED
OR/WT	ORANGE	WHITE	
OR/WT/WT	ORANGE	WHITE	WHITE
PR	PURPLE		
PR/BK	PURPLE	BLACK	
RD/BK/OR	RED	BLACK	ORANGE
RD/BK/WT	RED	BLACK	WHITE
WT/GN	WHITE	GREEN	
WT/GN/GN	WHITE	GREEN	GREEN
WT/RD	WHITE	RED	
WT/RD/RD	WHITE	RED	RED
YL	YELLOW		
YL/BL	YELLOW	BLUE	
YL/BK/RD	YELLOW	BLACK	RED
YL/RD/RD	YELLOW	RED	RED

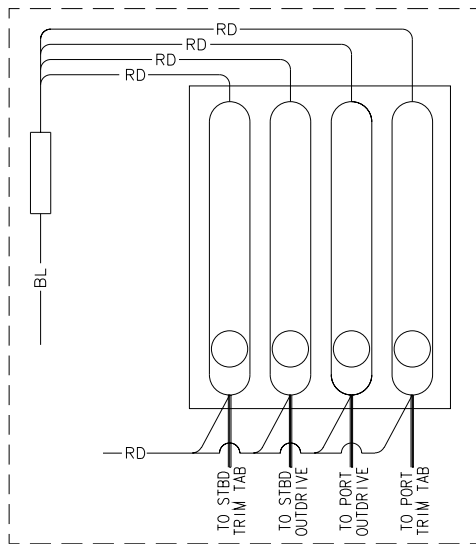


THUNDERBIRD
PRODUCTS
ENGINEERING

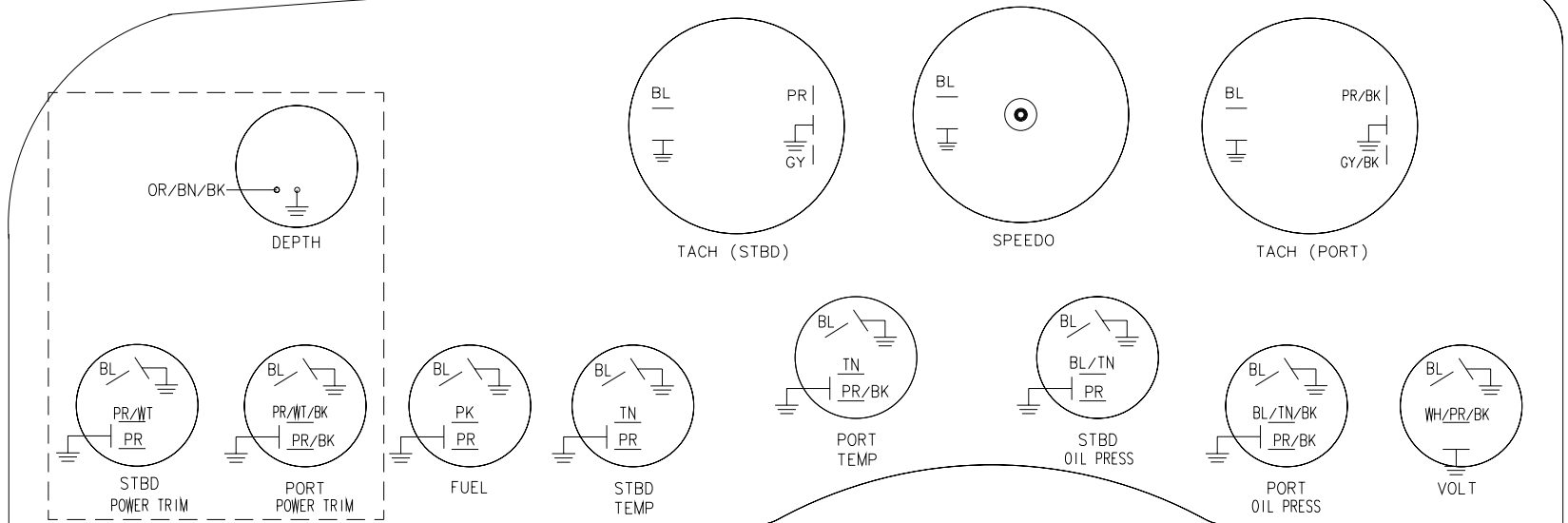
PANEL #120240
PIGTAIL #61315

TITLE: IGNITION PANEL	
MOD.: 292 FASTech	15
DR BY: SAJ	

INSTRUMENT PANEL 292 FASTech (REAR VIEW)



(OPTION)

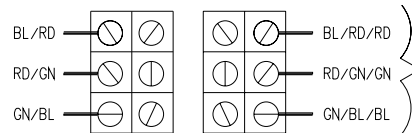
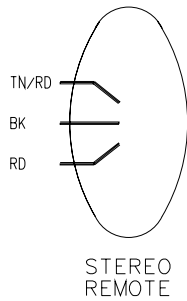
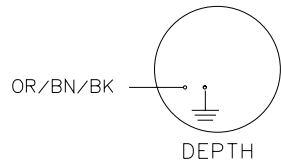


THUNDERBIRD
PRODUCTS
ENGINEERING

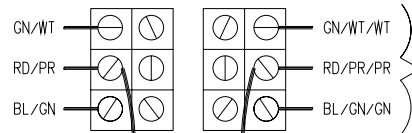
PANEL #175084
PIGTAIL #6704
3471 (2)

TITLE: MAIN INSTRUMENT PANEL	16
MOD.: 292 FASTech	
DR BY: SAJ	

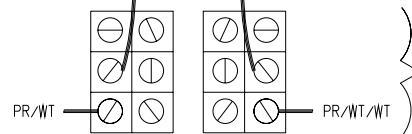
INSTRUMENT SHIFTER PANEL 292 FASTech (REAR VIEW)



TABS



DRIVES



DRIVES
TRAILER

CODE	COLOR	STRIPE	STRIPE
BK	BLACK		
BL/GN	BLUE	GREEN	
BL/GN/GN	BLUE	GREEN	GREEN
BL/RD	BLUE	RED	
BL/RD/RD	BLUE	RED	RED
GN/BL	GREEN	BLUE	
GN/BL/BL	GREEN	BLUE	BLUE
GN/WT	GREEN	WHITE	
GN/WT/WT	GREEN	WHITE	WHITE
PR/WT	PURPLE	WHITE	
PR/WT/WT	PURPLE	WHITE	WHITE
RD	RED		
RD/GN	RED	GREEN	
RD/GN/GN	RED	GREEN	GREEN
RD/PR	RED	PURPLE	
RD/PR/PR	RED	PURPLE	PURPLE
TN/RD	TAN	RED	

LEGEND

GROUND	
SWITCH	
BREAKER	
PLUG	
LIGHT	

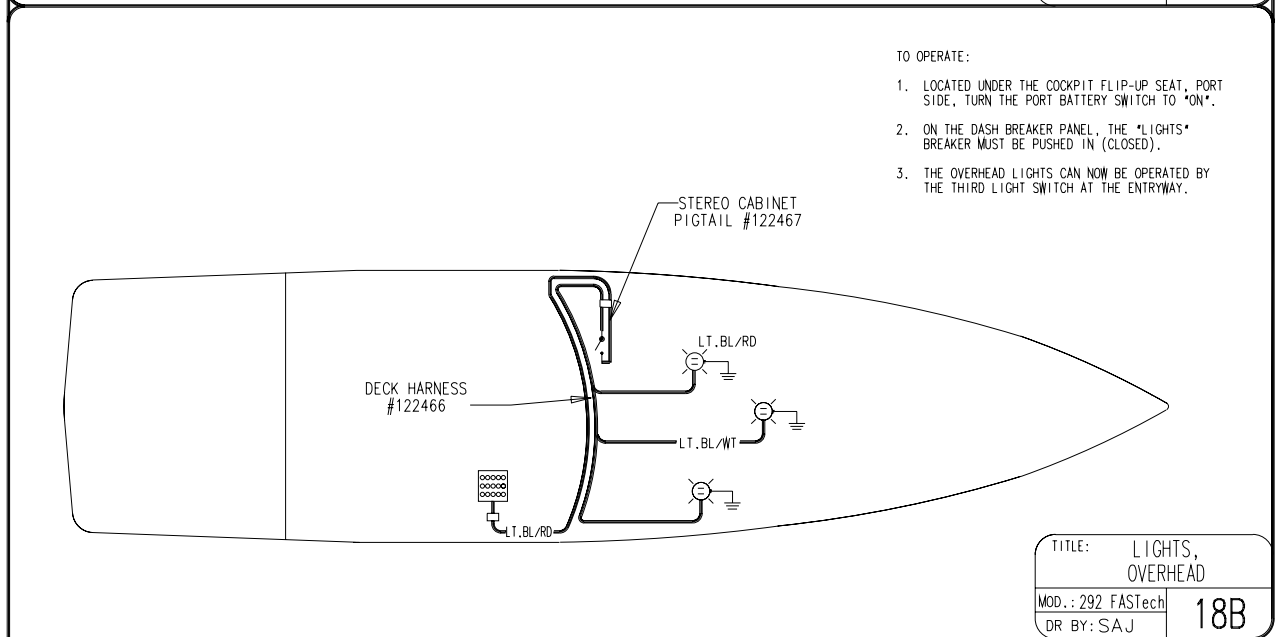
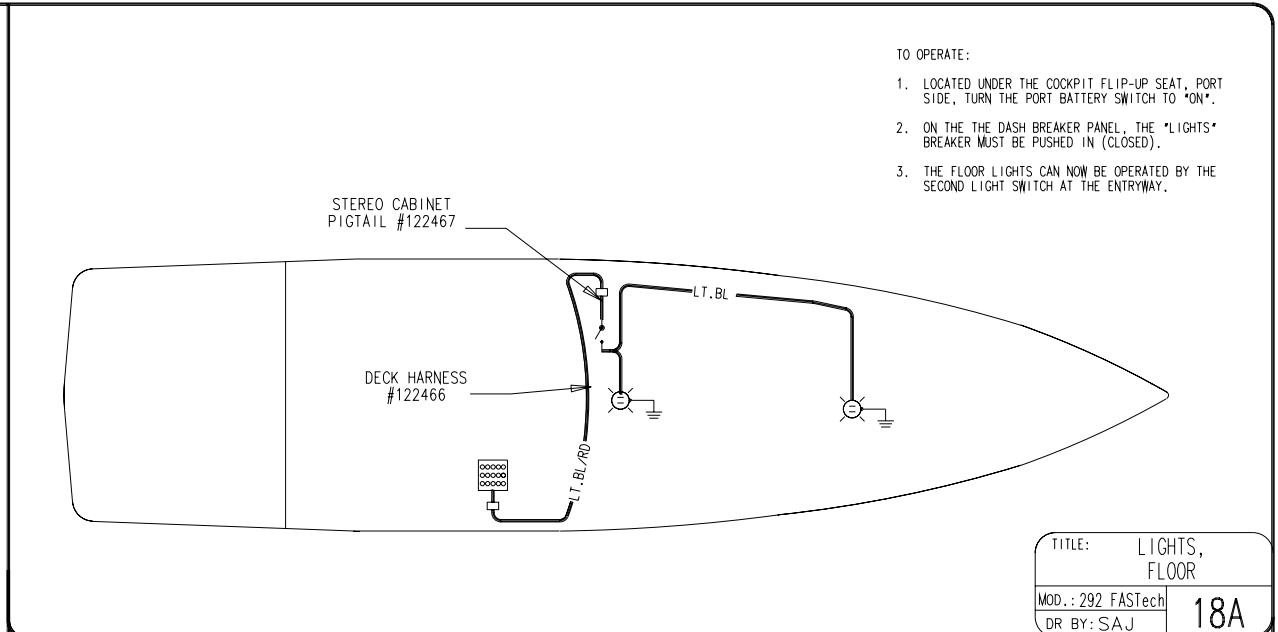
LIGHTS BKR 15A
(DASH BKR PANEL)
(REAR VIEW)

LIGHT SWITCH, FLOOR

MAIN CABIN LIGHT SWITCHES

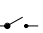
LIGHT SWITCH, CABIN

**THUNDERBIRD
PRODUCTS
ENGINEERING**



LEGEND

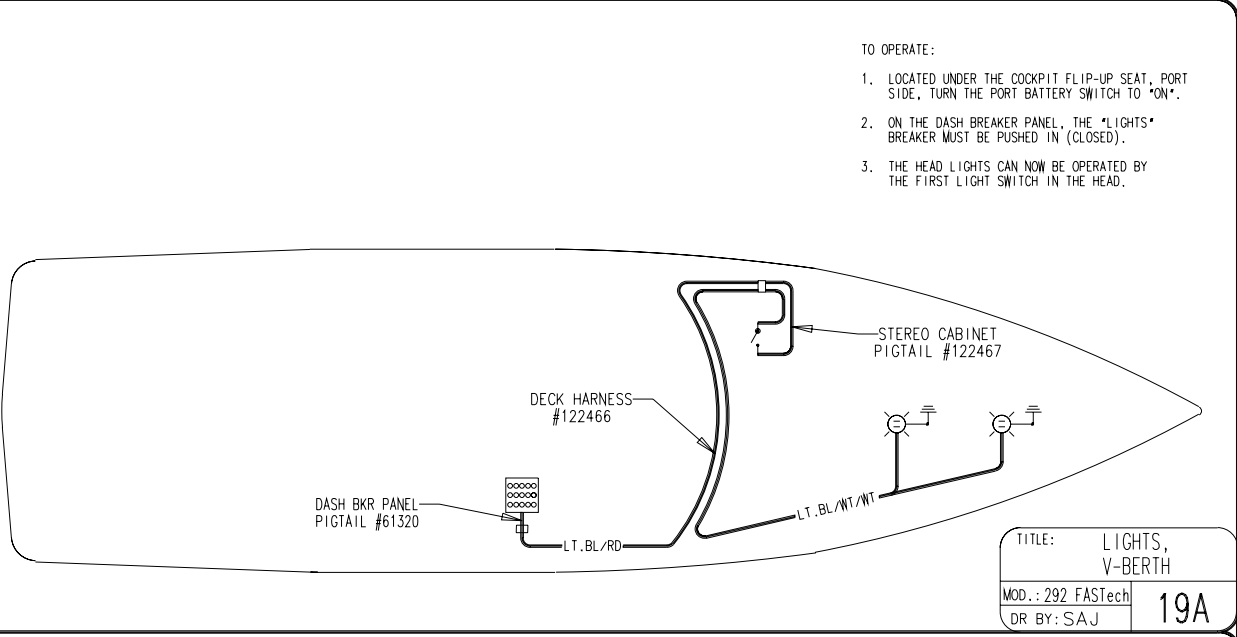
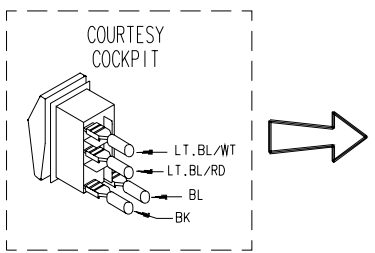
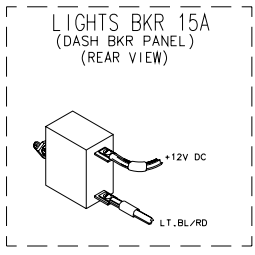
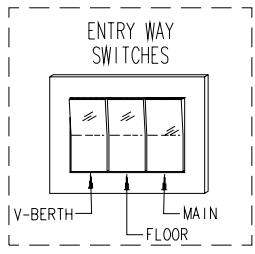
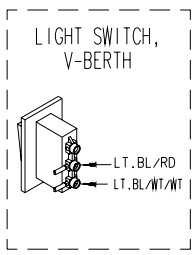
GROUND 

SWITCH 

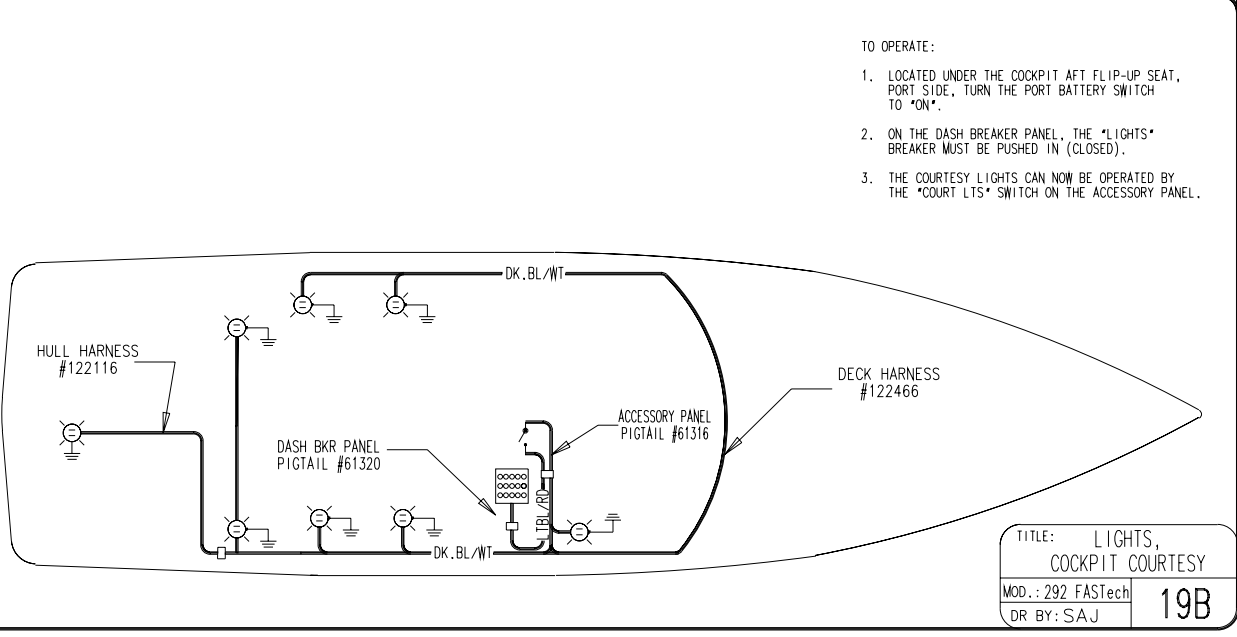
DASH BREAKER 

PLUG 

LIGHT 



- TO OPERATE:
1. LOCATED UNDER THE COCKPIT FLIP-UP SEAT, PORT SIDE, TURN THE PORT BATTERY SWITCH TO "ON".
 2. ON THE DASH BREAKER PANEL, THE "LIGHTS" BREAKER MUST BE PUSHED IN (CLOSED).
 3. THE HEAD LIGHTS CAN NOW BE OPERATED BY THE FIRST LIGHT SWITCH IN THE HEAD.



- TO OPERATE:
1. LOCATED UNDER THE COCKPIT AFT FLIP-UP SEAT, PORT SIDE, TURN THE PORT BATTERY SWITCH TO "ON".
 2. ON THE DASH BREAKER PANEL, THE "LIGHTS" BREAKER MUST BE PUSHED IN (CLOSED).
 3. THE COURTESY LIGHTS CAN NOW BE OPERATED BY THE "COURT LTS" SWITCH ON THE ACCESSORY PANEL.

LEGEND

GROUND	
SWITCH	
BREAKER	
PLUG	
LIGHT	
DPDT SWITCH	

LIGHT SWITCH, DOCKING

RD/BK
RD
BL/RD/WT
BL/RD/WT
BL
BK

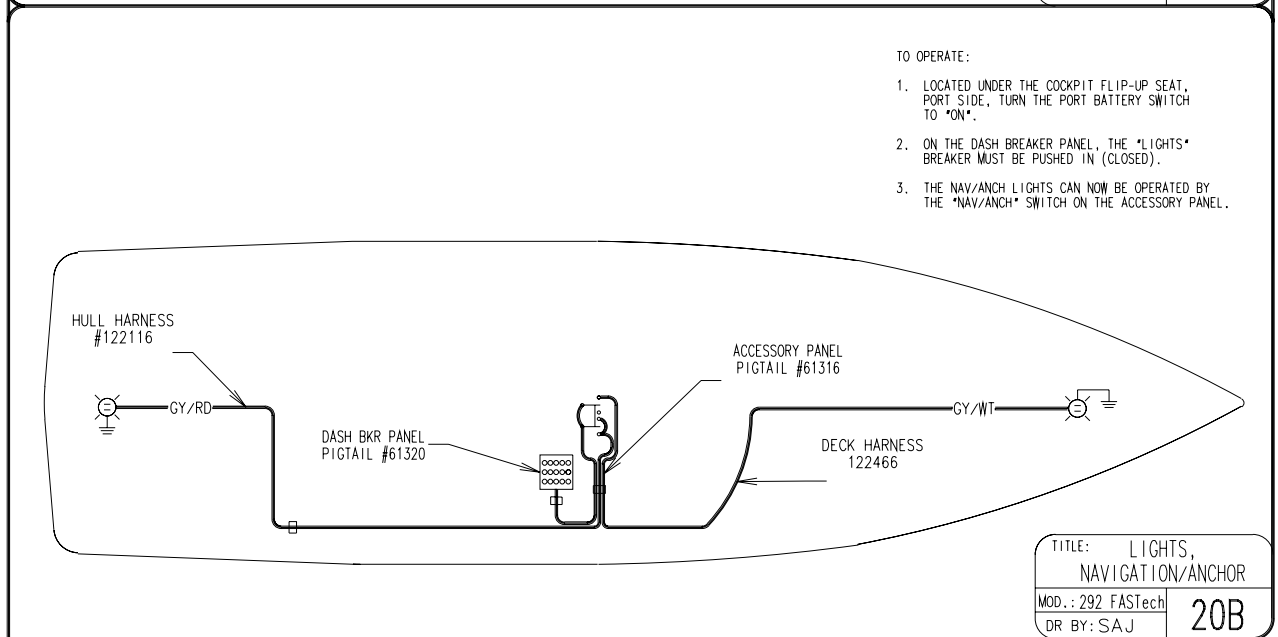
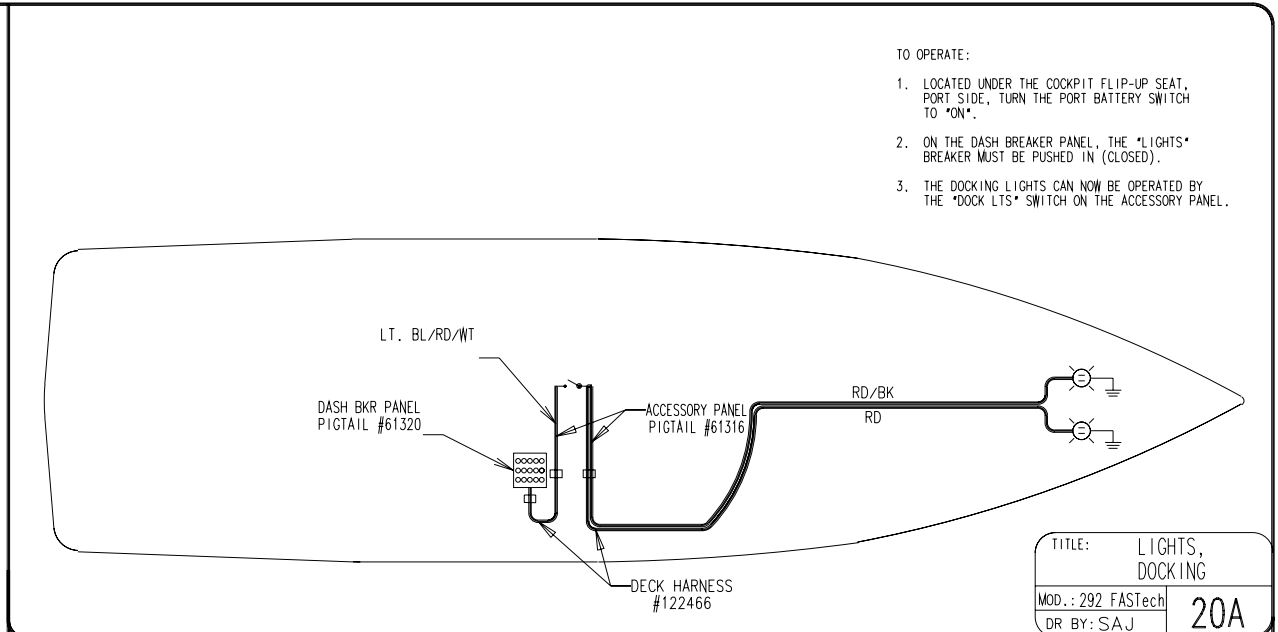
LIGHTS BKR 15A (DASH BKR PANEL) (REAR VIEW)

+12V DC
BL/RD

LIGHT SWITCH, NAV/ANCH

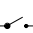
BK
BL
GY/RD
NOT USED
BL/RD
BL/RD
GY/RD
GY/WT

THUNDERBIRD PRODUCTS ENGINEERING



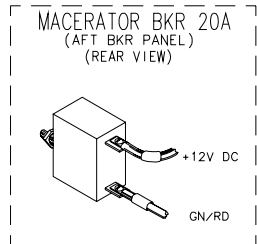
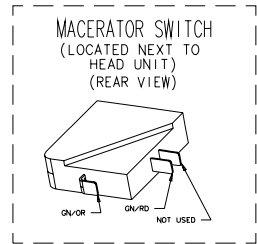
LEGEND

GROUND 

SWITCH 

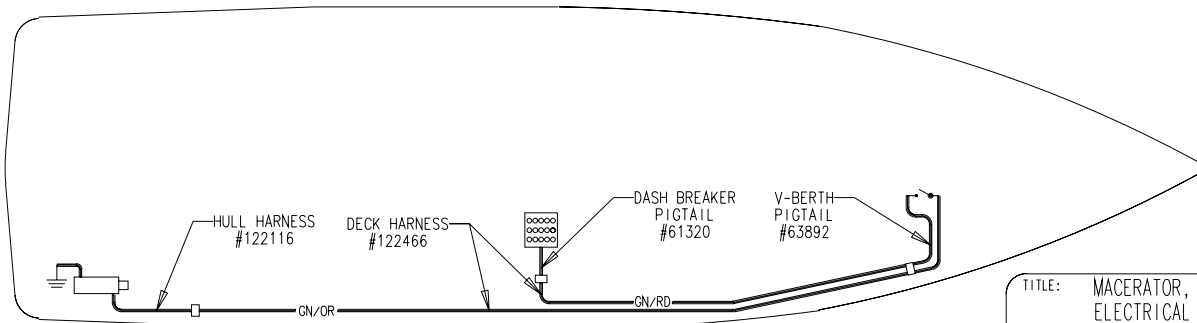
DASH BREAKER 

PLUG 

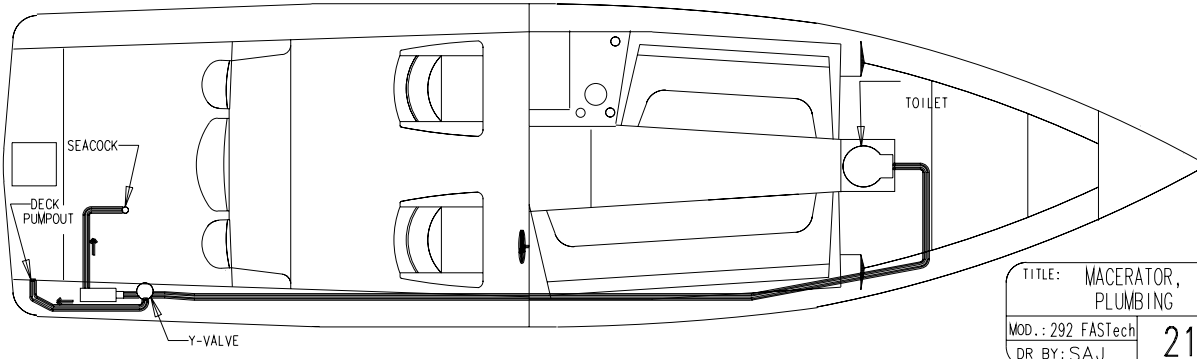
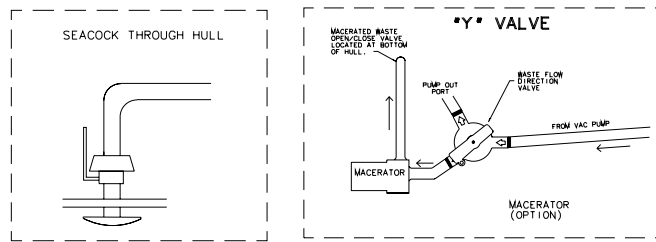


CAUTION!!
FOLLOW LOCAL, STATE, AND FEDERAL GUIDELINES FOR WASTE DISCHARGE.

- TO OPERATE:
1. LOCATED UNDER THE COCKPIT FLIP-UP SEAT, PORT SIDE, TURN THE PORT BATTERY SWITCH TO "ON".
 2. ON THE AFT BREAKER PANEL, THE "MACERATOR" BREAKER MUST BE PUSHED IN (CLOSED).
 3. IN THE ENGINE BILGE, PLACE THE Y-VALVE IN THE "DISCHARGE" POSITION.
 4. IN THE V-BERTH NEXT TO THE HEAD, PRESS AND HOLD THE MACERATOR BUTTON.



TITLE: MACERATOR, ELECTRICAL
MOD.: 292 FASTech
DR BY: SAJ **21A**



TITLE: MACERATOR, PLUMBING
MOD.: 292 FASTech
DR BY: SAJ **21B**



LEGEND

PLUG 

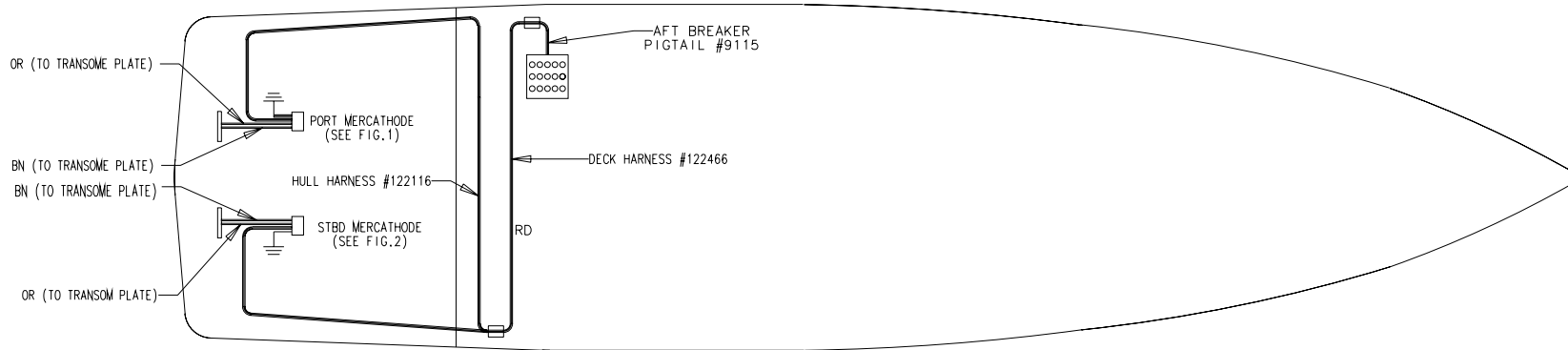
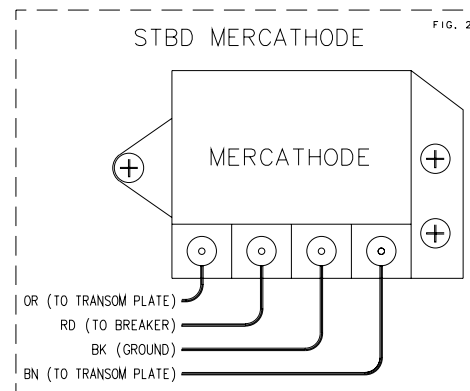
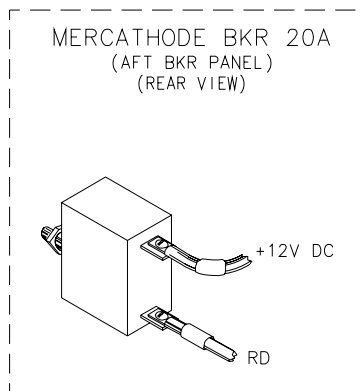
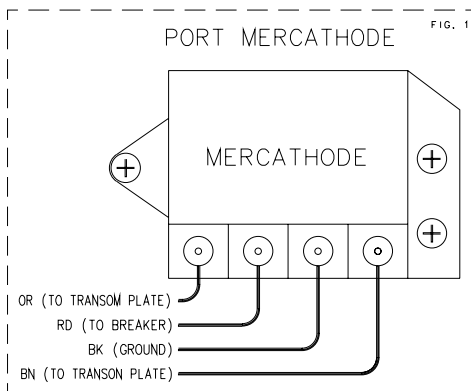
BREAKER PANEL 

DC GROUND 

TO OPERATE:

1. ON THE AFT BREAKER PANEL, THE "MERC." BREAKER MUST BE PUSHED IN (CLOSED).
2. THE MERCATHODE IS NOW SUPPLIED WITH POWER AND SHOULD BE OPERATING.

NOTE: THE MERCATHODE ONLY OPERATES WHEN THE BOAT IS ON WATER.



THUNDERBIRD
PRODUCTS
ENGINEERING

TITLE: MERCATHODE
MOD.: 292 FASTech
DR BY: SAJ

22

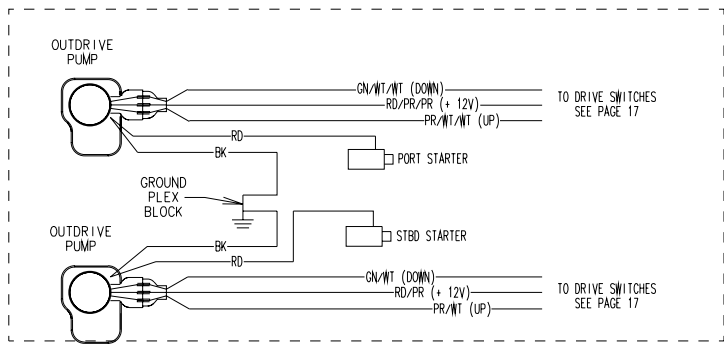
LEGEND

GROUND 

BREAKER PANEL 

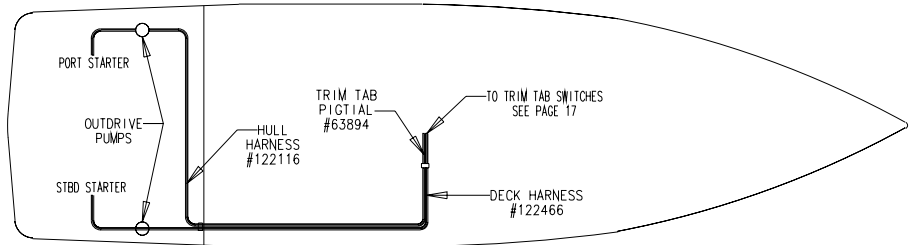
PLUG 

BATTERY 

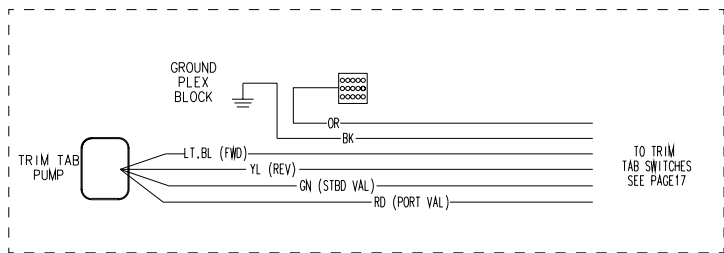
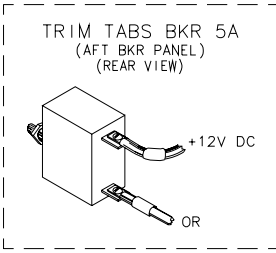


TO OPERATE:

1. READ AND FULLY UNDERSTAND THE OWNER'S MANUAL.
2. LOCATED UNDER THE COCKPIT FLIP-UP SEAT, PORT SIDE, TURN THE PORT AND STBD BATTERY SWITCH TO "ON".
3. THE OUTDRIVES ARE CONNECTED DIRECTLY TO THE STARTER LUGS AND NOW OPERATIONAL.

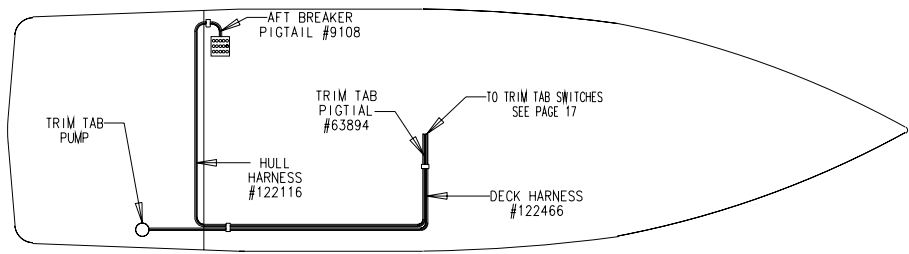


TITLE: OUTDRIVES
 MOD.: 292 FASTech
 DR BY: SAJ 23A



TO OPERATE:

1. READ AND FULLY UNDERSTAND THE OWNER'S MANUAL.
2. LOCATED UNDER THE COCKPIT FLIP-UP SEAT, PORT SIDE, TURN THE PORT BATTERY SWITCH TO "ON".
3. ON THE AFT BREAKER PANEL THE "TRIM TABS" BREAKERS MUST BE PUSHED IN (CLOSED).
4. THE TRIM TABS CAN NOW BE OPERATED BY THE TRIM TAB SWITCHES ON THE SHIFTER PANEL.



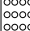
TITLE: TRIM TABS
 MOD.: 292 FASTech
 DR BY: SAJ 23B

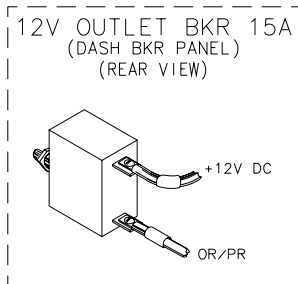
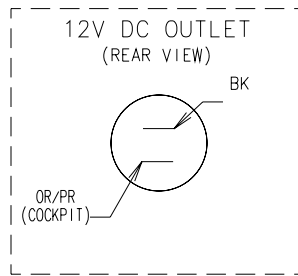


LEGEND

BREAKER SWITCH 

DC GROUND 

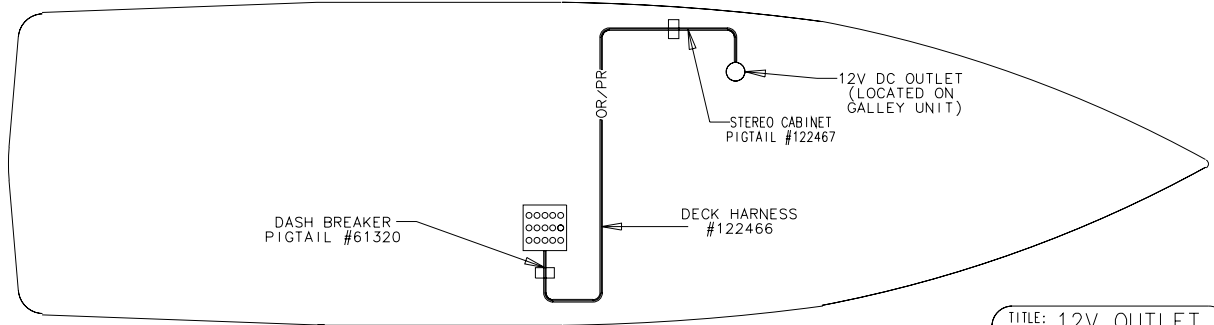
BREAKER PANEL 



 THUNDERBIRD
PRODUCTS
ENGINEERING

TO OPERATE:

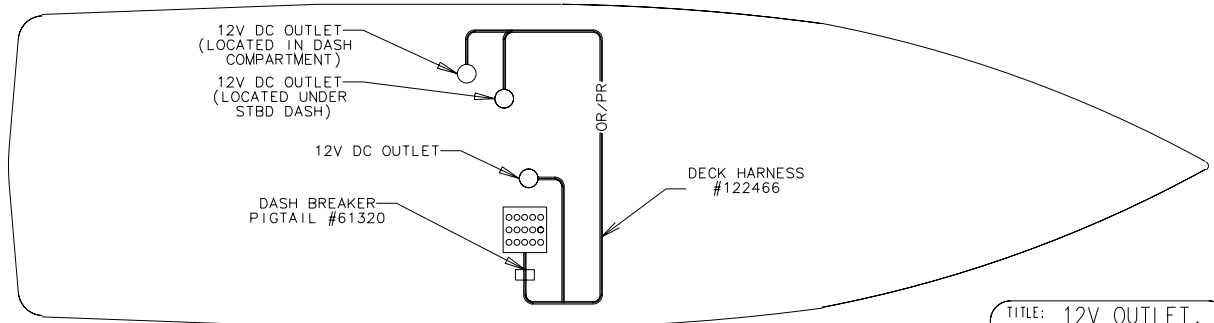
1. LOCATED UNDER THE COCKPIT FLIP-UP SEAT, PORT SIDE, TURN THE PORT BATTERY SWITCH TO "ON"
2. ON THE DASH BREAKER PANEL, THE *12 VOLT OUTLET* BREAKER MUST BE PUSHED IN (CLOSED).
3. THE 12V DC OUTLET IS SUPPLIED WITH POWER AND READY TO OPERATE.



TITLE: 12V OUTLET,
CABIN
MOD.: 292 FASTech
DR BY: SAJ **24A**

TO OPERATE:

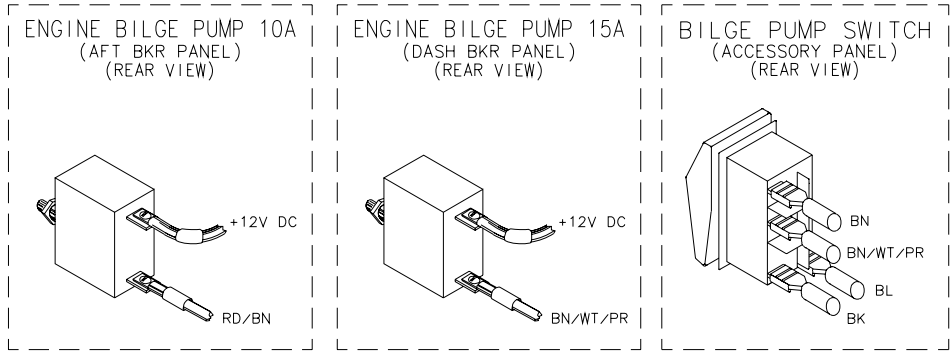
1. LOCATED UNDER THE COCKPIT FLIP-UP SEAT, PORT SIDE, TURN THE PORT BATTERY SWITCH TO "ON"
2. ON THE DASH BREAKER PANEL, THE *12 VOLT OUTLET* BREAKER MUST BE PUSHED IN (CLOSED).
3. THE 12V DC OUTLETS ARE SUPPLIED WITH POWER AND READY TO OPERATE.



TITLE: 12V OUTLET,
COCKPIT
MOD.: 292 FASTech
DR BY: SAJ **24B**

LEGEND

BREAKER PANEL	
FLOAT SWITCH	
SWITCH	
PUMP	
PLUG	
DC GROUND	

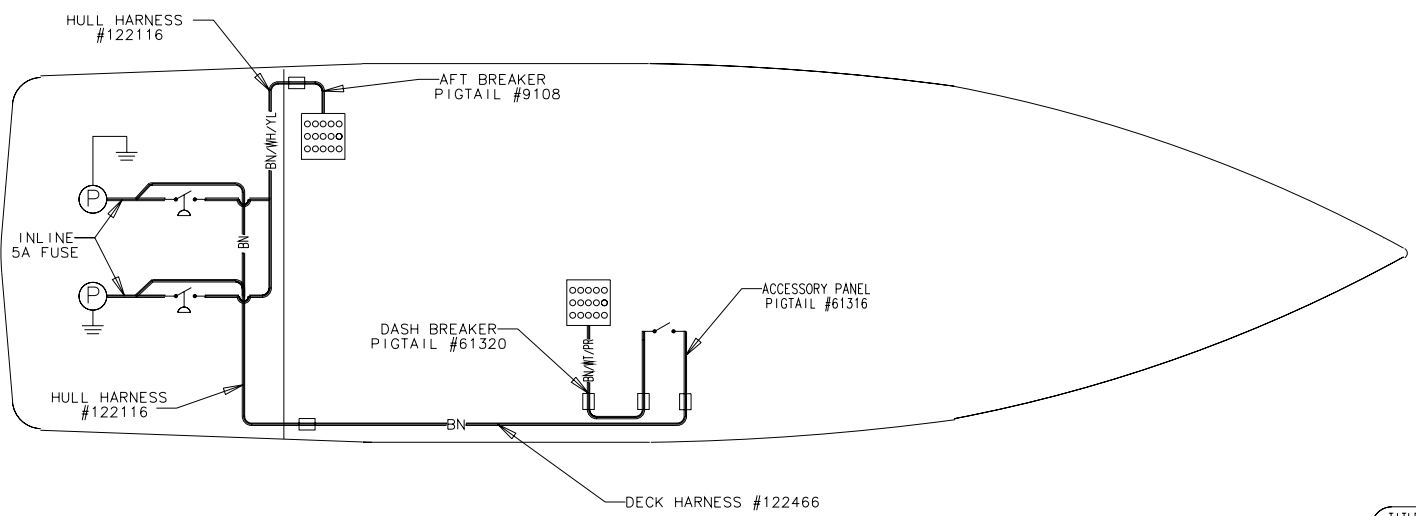


- TO OPERATE:
1. ON THE AFT BREAKER PANEL, THE *ENGINE BILGE* BREAKER MUST BE PUSHED IN (CLOSED).
 2. THE ENGINE BILGE PUMP IS NOW SUPPLIED WITH POWER AND OPERATIONAL.

NOTE: THE ENGINE BILGE PUMP WILL AUTOMATICALLY START WHEN WATER IS AT A LEVEL HIGH ENOUGH TO ACTIVATE THE FLOAT SWITCH.

THE ENGINE BILGE PUMP CAN NOT BE TURNED OFF BY TURNING THE PORT BATTERY SWITCH TO *OFF*.

- TO OPERATE MANUALLY:
1. LOCATED UNDER THE COCKPIT FLIP-UP SEAT, PORT SIDE, TURN THE PORT BATTERY SWITCH TO *ON*.
 2. ON THE DASH BREAKER PANEL, THE *BILGE PUMP* BREAKER MUST BE PUSHED IN (CLOSED).
 3. THE ENGINE BILGE PUMP CAN NOW BE OPERATED BY THE *BILGE PUMP* SWITCH ON THE ACCESSORY PANEL.



TITLE: BILGE PUMPS, ENGINE	
MOD.: 292 FASTech	25
DR BY: SAJ	

LEGEND

ACCUMULATOR (A)

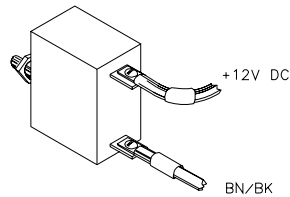
BREAKER PANEL 

DC GROUND 

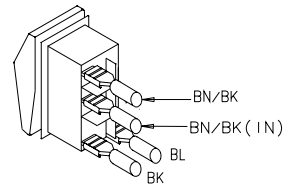
PUMP (P)

PLUG 

WATER PUMP BKR 5A
(DASH BKR PANEL)
(REAR VIEW)



WATER PUMP SWITCH
(REAR VIEW)



 THUNDERBIRD
PRODUCTS
ENGINEERING

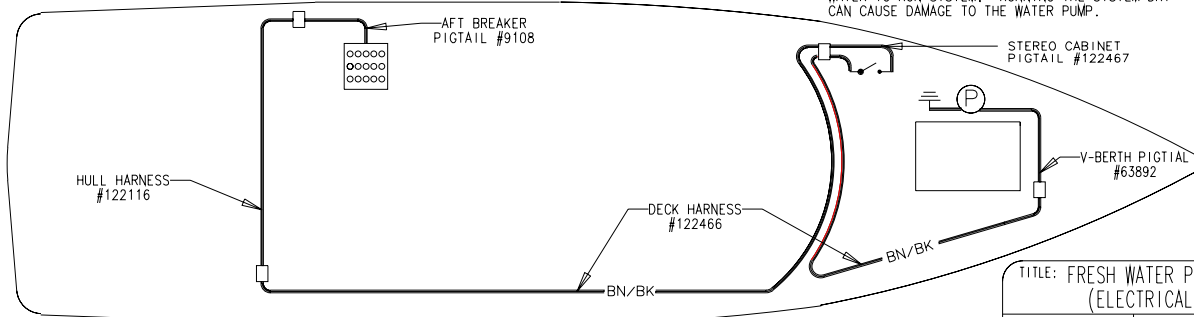
TO OPERATE:

1. LOCATED UNDER THE COCKPIT FLIP-UP SEAT, PORT SIDE, TURN THE PORT BATTERY SWITCH TO "ON".
2. ON THE AFT BREAKER PANEL, THE "WATER PUMP" BREAKER MUST BE PUSHED IN (CLOSED).
3. THE WATER PUMP IS NOW ON, AND WILL SHUT OFF AUTOMATICALLY WHEN THERE IS SUFFICIENT WATER PRESSURE IN THE SYSTEM.

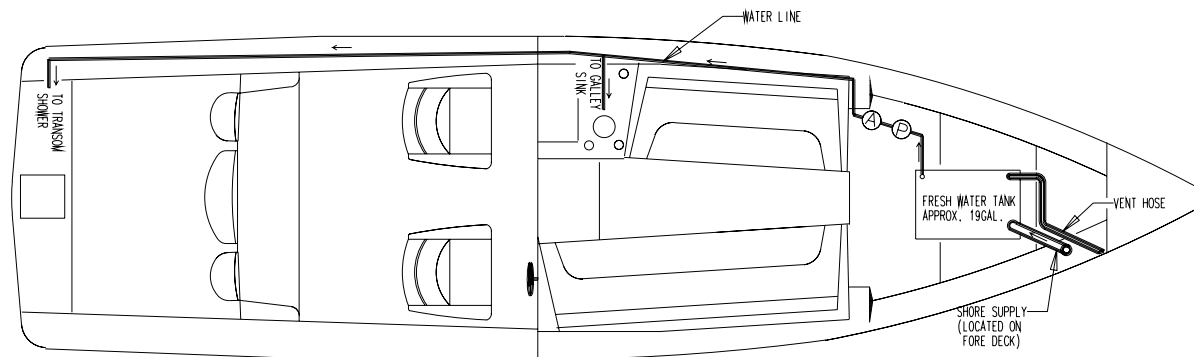
NOTE: THE WATER PUMP DOES NOT NEED TO BE IN OPERATION WHEN THE BOAT IS CONNECTED TO SHORE WATER.

WARNING!

MAKE SURE WATER TANK HAS SUFFICIENT AMOUNT OF WATER TO RUN SYSTEM. RUNNING THE SYSTEM DRY CAN CAUSE DAMAGE TO THE WATER PUMP.



TITLE: FRESH WATER PUMP
(ELECTRICAL)
MOD.: 292 FASTech
DR BY: SAJ 26A



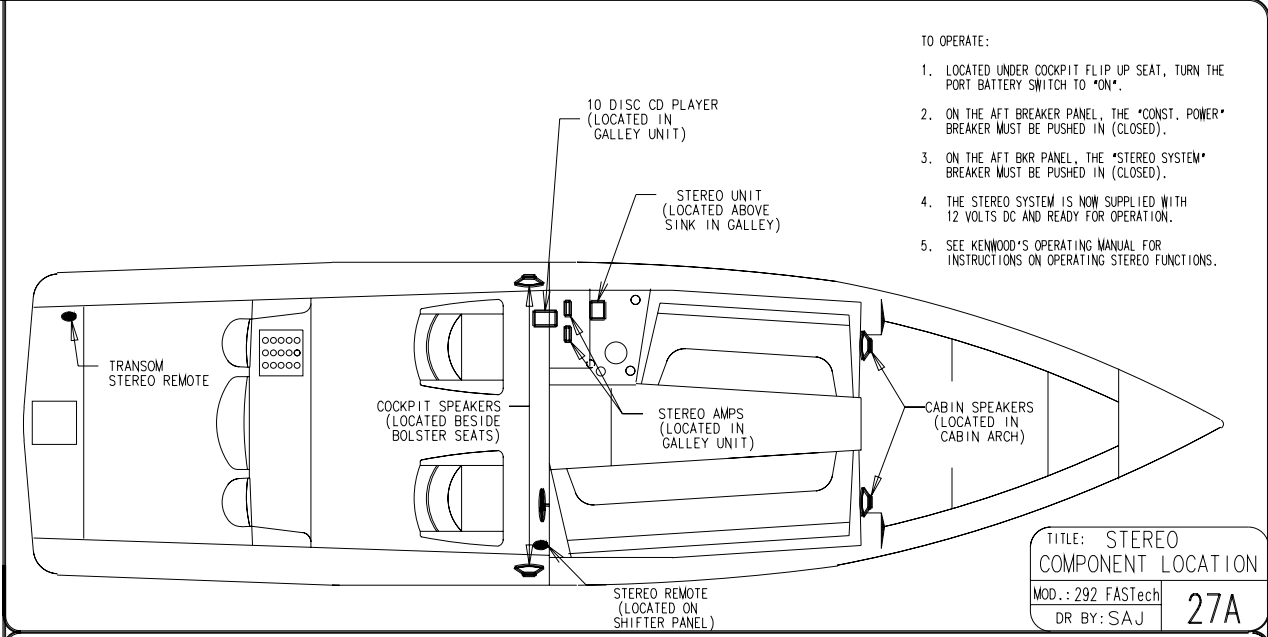
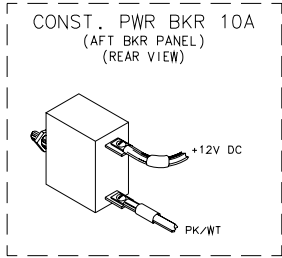
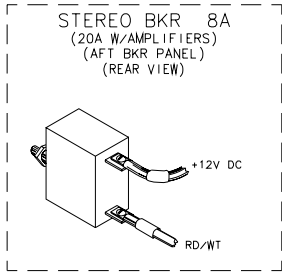
TITLE: FRESH WATER PUMP
(PLUMBING)
MOD.: 292 FASTech
DR BY: SAJ 26B

LEGEND

GROUND 

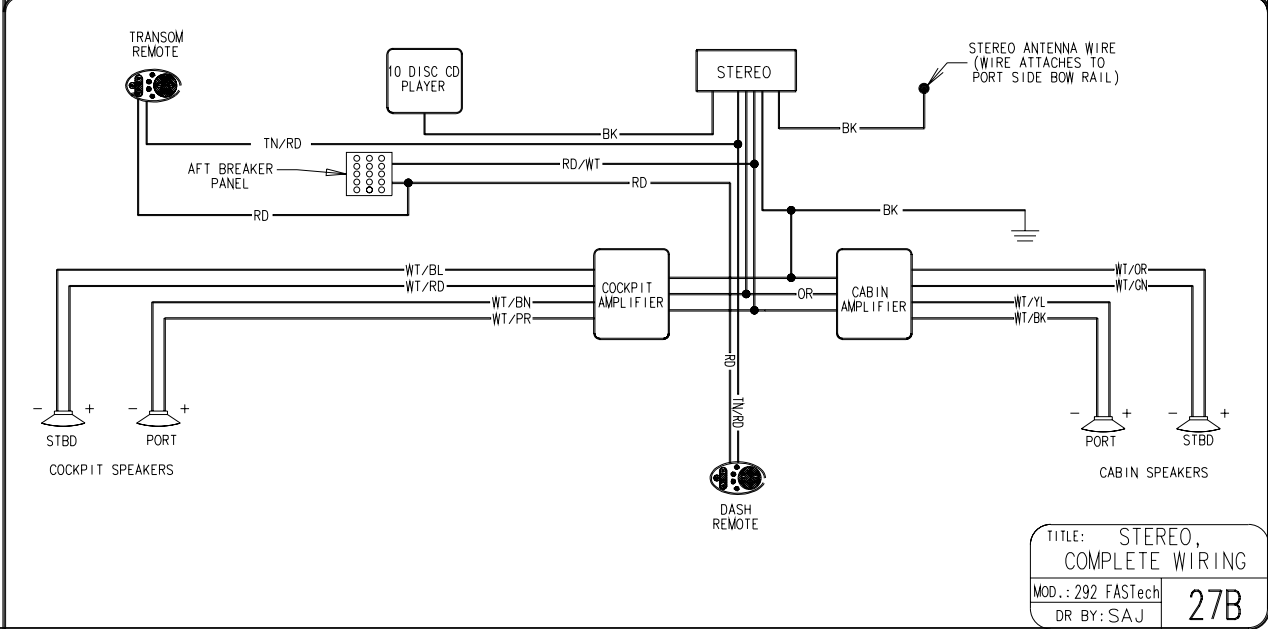
BREAKER PANEL 

SPEAKER 



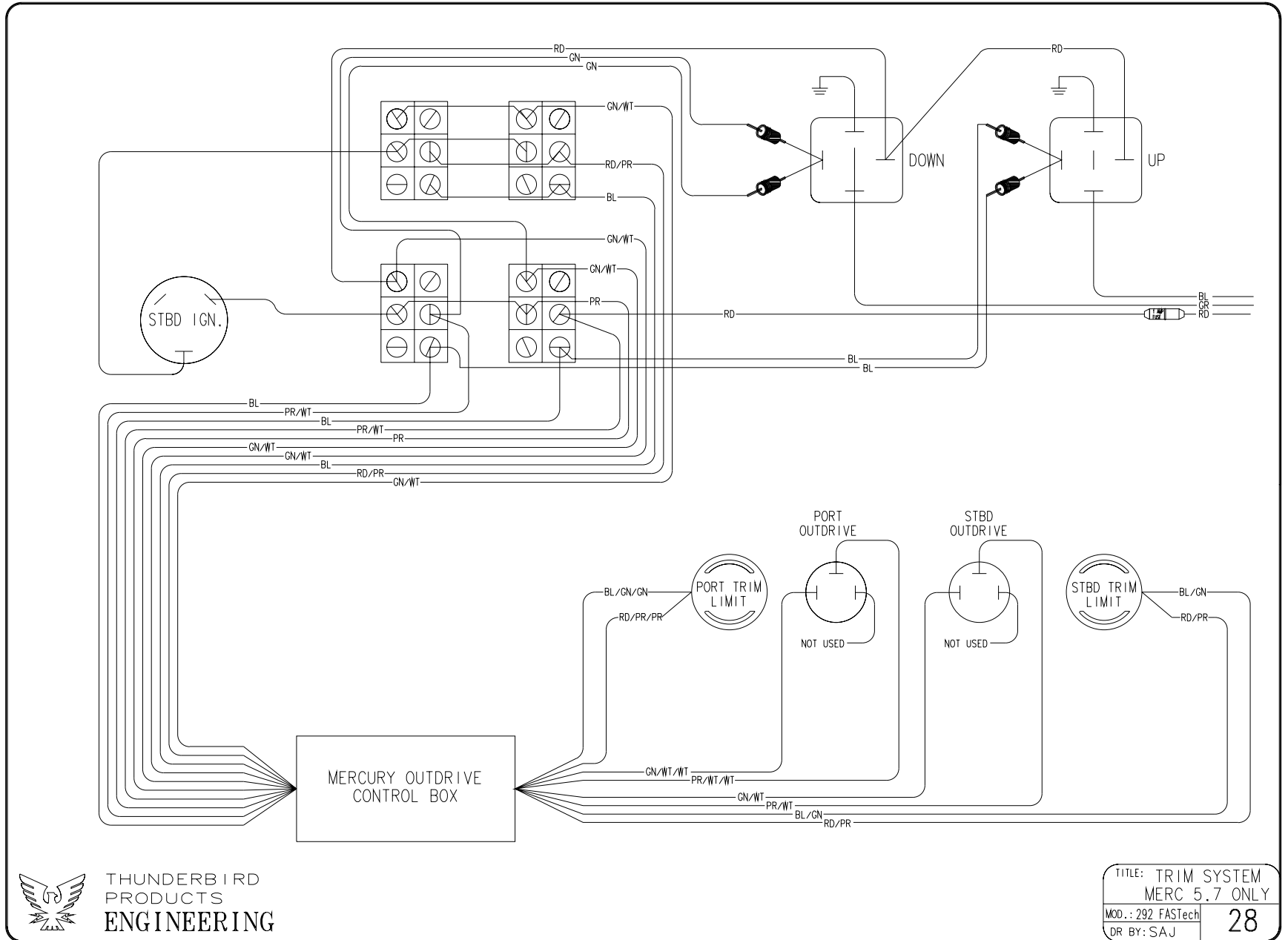
- TO OPERATE:
1. LOCATED UNDER COCKPIT FLIP UP SEAT, TURN THE PORT BATTERY SWITCH TO "ON".
 2. ON THE AFT BREAKER PANEL, THE "CONST. POWER" BREAKER MUST BE PUSHED IN (CLOSED).
 3. ON THE AFT BKR PANEL, THE "STEREO SYSTEM" BREAKER MUST BE PUSHED IN (CLOSED).
 4. THE STEREO SYSTEM IS NOW SUPPLIED WITH 12 VOLTS DC AND READY FOR OPERATION.
 5. SEE KENWOOD'S OPERATING MANUAL FOR INSTRUCTIONS ON OPERATING STEREO FUNCTIONS.

TITLE: STEREO COMPONENT LOCATION
MOD.: 292 FASTech
DR BY: SAJ 27A




TITLE: STEREO, COMPLETE WIRING
MOD.: 292 FASTech
DR BY: SAJ 27B





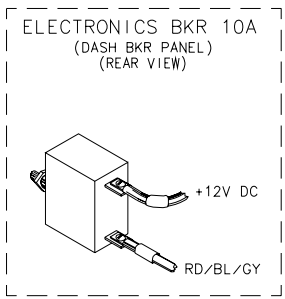
LEGEND

BREAKER PANEL 

PLUG 

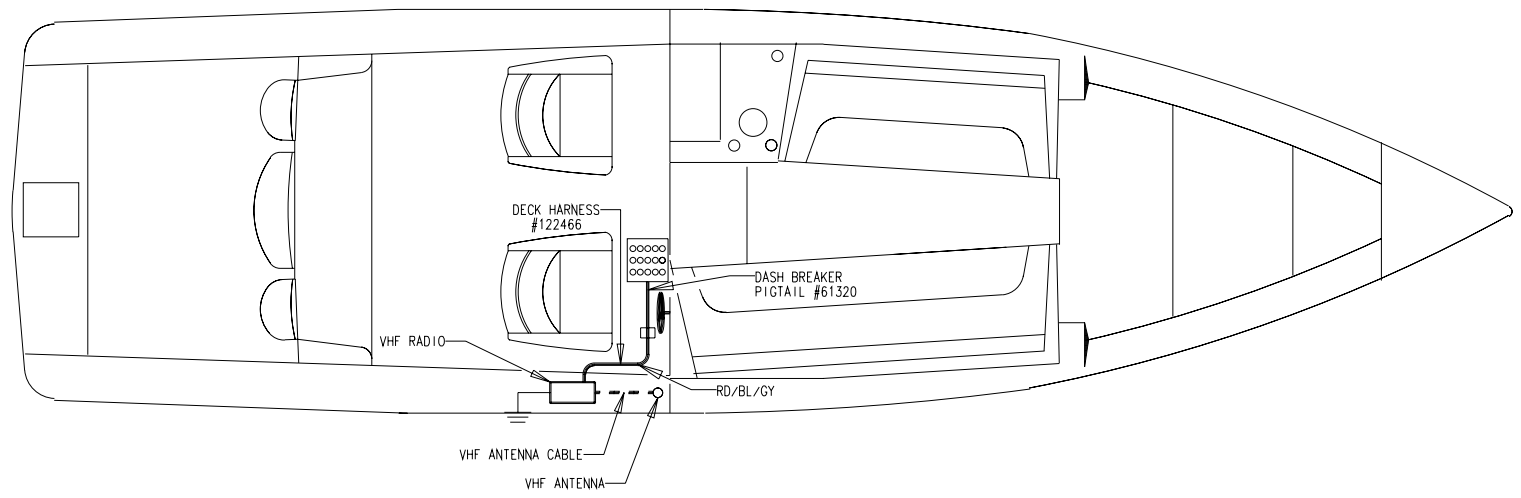
DC GROUND 

BREAKER SWITCH 

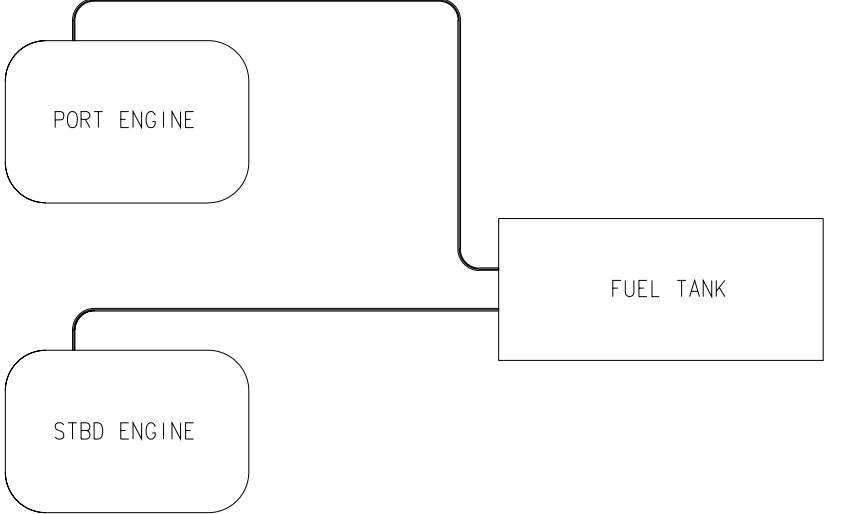
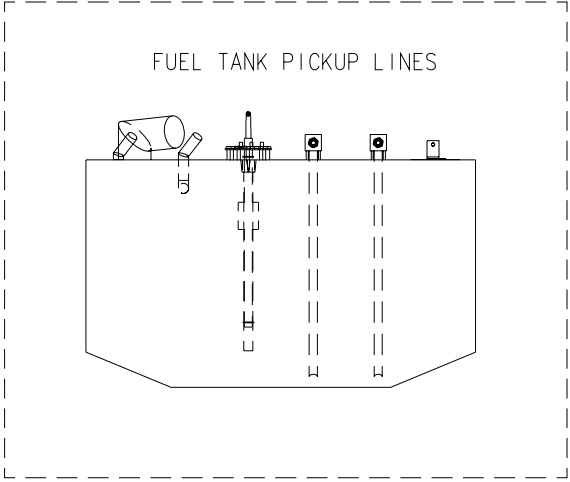
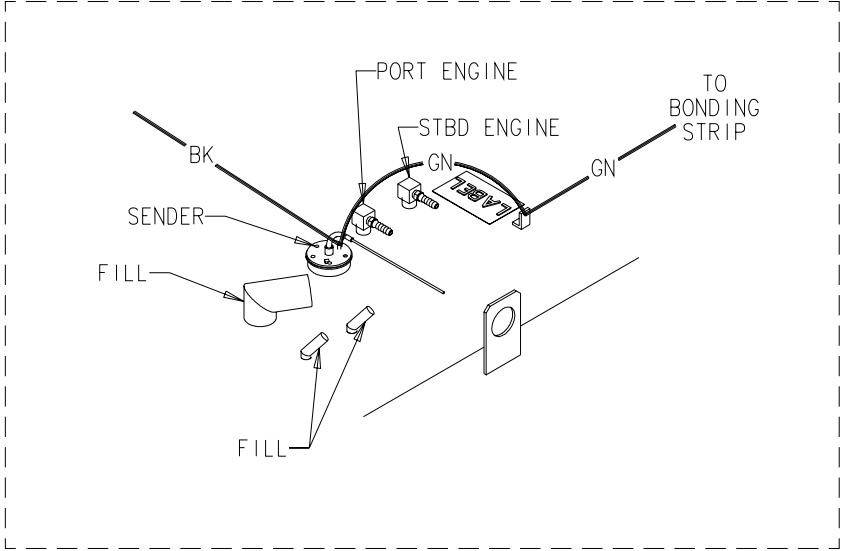
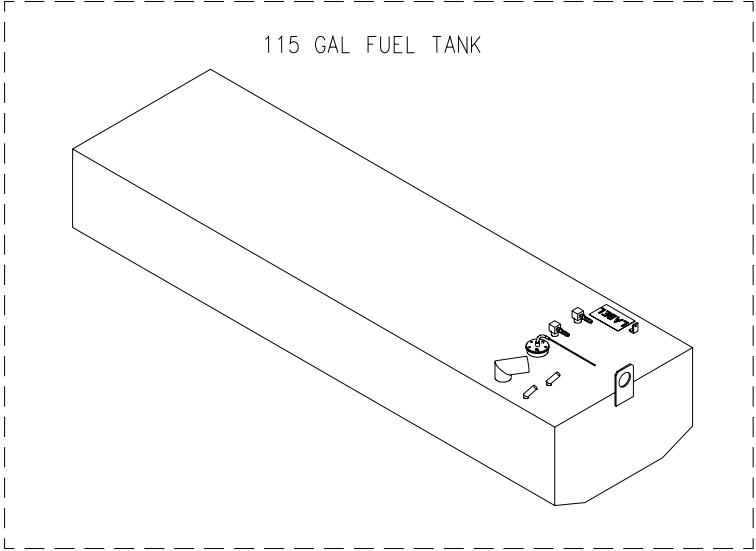


TO OPERATE:

1. LOCATED UNDER THE COCKPIT FLIP-UP SEAT, PORT SIDE, TURN THE PORT BATTERY SWITCH TO "ON".
2. ON THE DASH BREAKER PANEL, THE "ELECTRONICS" BREAKER MUST BE PUSHED IN (CLOSED).
3. THE VHF RADIO IS NOW SUPPLIED WITH POWER AND READY TO OPERATE.
4. SEE THE VHF RADIO OPERATOR'S MANUAL FOR FURTHER INSTRUCTIONS ON OPERATING RADIO FUNCTIONS.



TITLE: VHF RADIO	
MOD.: 292 FASTech	29
DR BY: SAJ	



THUNDERBIRD
PRODUCTS
ENGINEERING

TITLE: FUEL SYSTEM	
MOD.: 292 FASTech	30
DR BY: JAW	

NOTE:
ALL BONDING WIRES ARE LIGHT GREEN
ALL GROUND WIRES ARE BLACK

