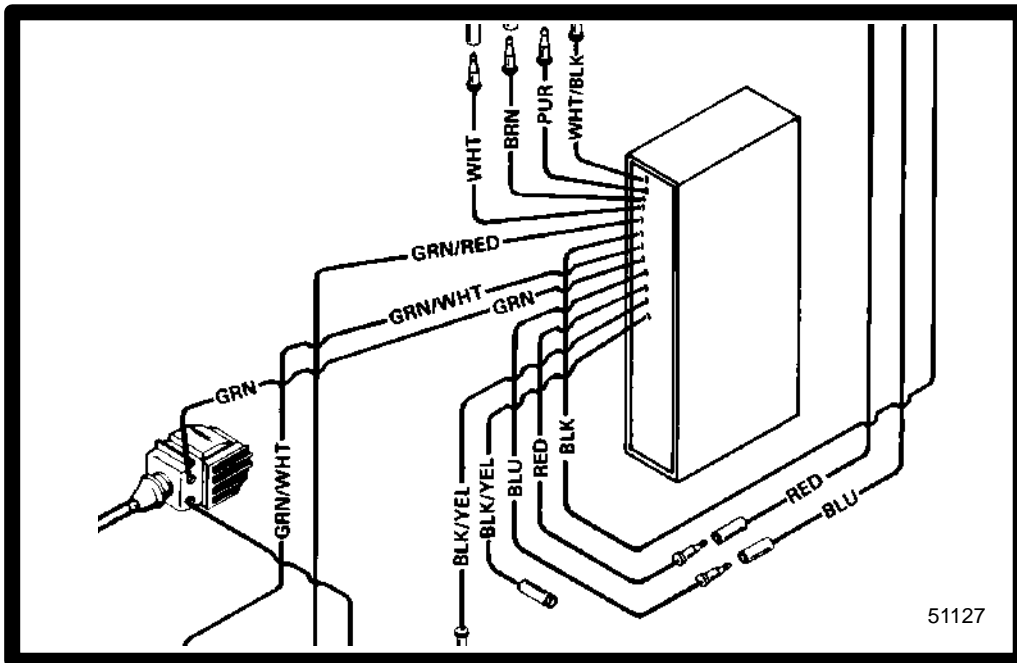




ELECTRICAL AND IGNITION

2

D



WIRING DIAGRAMS



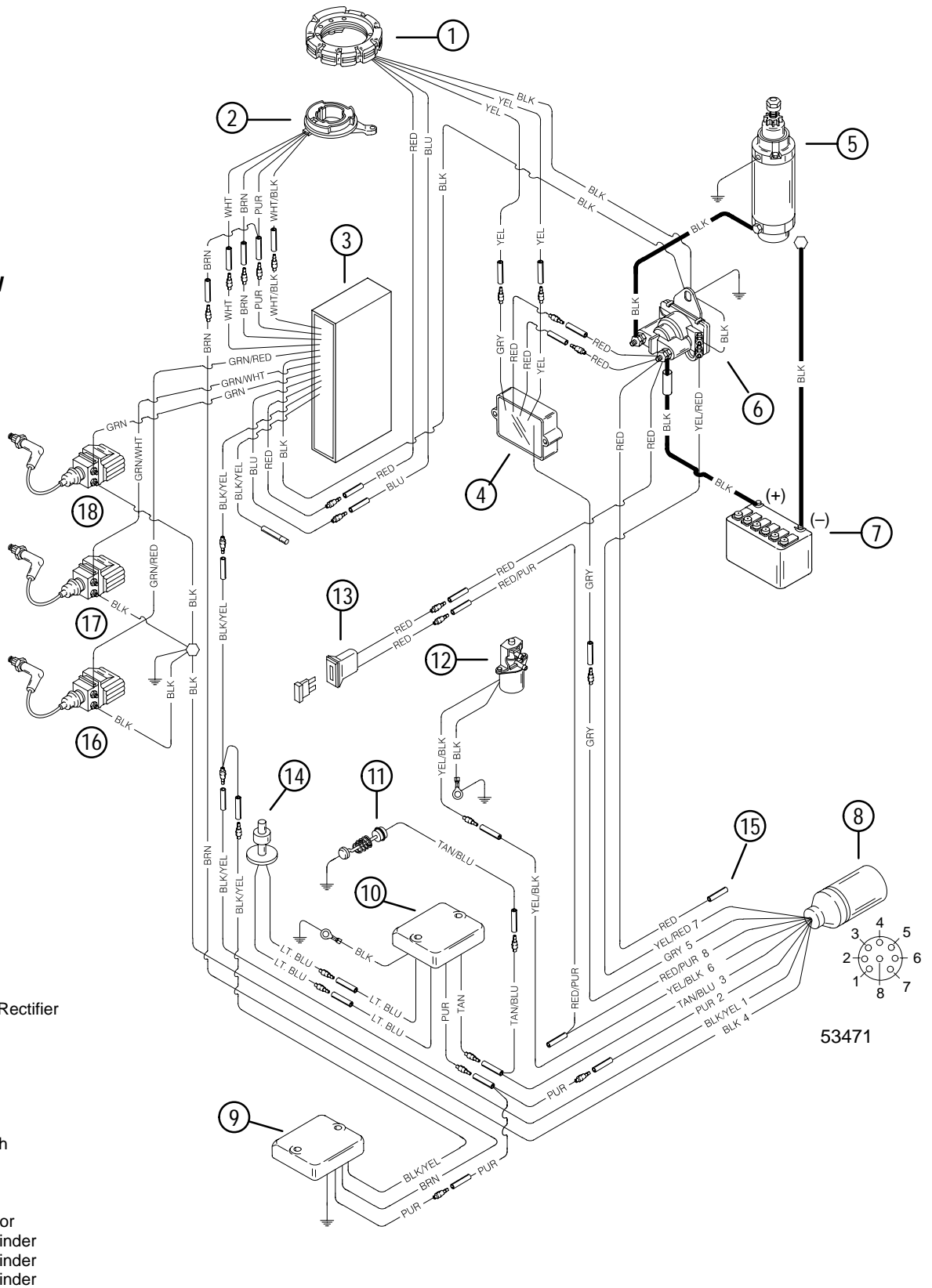
Table of Contents

	Page		
Model 45 Jet Electric Start		Key/Choke Switch Continuity Test	
Wiring Diagram	2D-1	(COMMANDER 2000 Side Mount Remote Control)	
Model 50/60 Electric Start		Wiring Diagram	2D-9
Wiring Diagram		COMMANDER 2000 Side Mount Remote Control	
(Rectifier Models)	2D-2	(Power Trim/Tilt Electric Start with Warning Horn)	
Model 50/60 Electric Start		Wiring Diagram	2D-10
Wiring Diagram		COMMANDER Side Mount Remote Control	
(Regulator Models)	2D-3	(Power Tilt Electric Start with Warning Horn)	
Model 50/60 Electric Start Tiller Handle		Wiring Diagram	2D-11
Wiring Diagram	2D-4	COMMANDER 2000 Side Mount Remote Control	
Model 55 Manual Start		(Electric Start with Warning Horn)	
Wiring Diagram	2D-5	Wiring Diagram	2D-12
Model 50/60 Power Trim			
Wiring Diagram	2D-6		
Model 50/60 Manual Start with RED Stator			
Wiring Diagram	2D-7		
Model 50/60 Electric Start with RED Stator			
Wiring Diagram	2D-8		



Model 45 Jet Electric Start Wiring Diagram

- BLK • BLACK
- BLU • BLUE
- BRN • BROWN
- GRY • GREY
- GRN • GREEN
- PUR • PURPLE
- RED • RED
- TAN • TAN
- WHT • WHITE
- YEL • YELLOW
- LIT • LIGHT



- 1 - Stator
- 2 - Trigger
- 3 - Switch Box
- 4 - Voltage Regulator/Rectifier
- 5 - Starter
- 6 - Starter Solenoid
- 7 - Battery
- 8 - Engine Harness
- 9 - RPM Limiter
- 10 - Warning Module
- 11 - Temperature Switch
- 12 - Enrichment Valve
- 13 - 20 Ampere Fuse
- 14 - Low Oil Sensor
- 15 - To Power Trim Motor
- 16- Ignition Coil #3 Cylinder
- 17- Ignition Coil #2 Cylinder
- 18- Ignition Coil #1 Cylinder

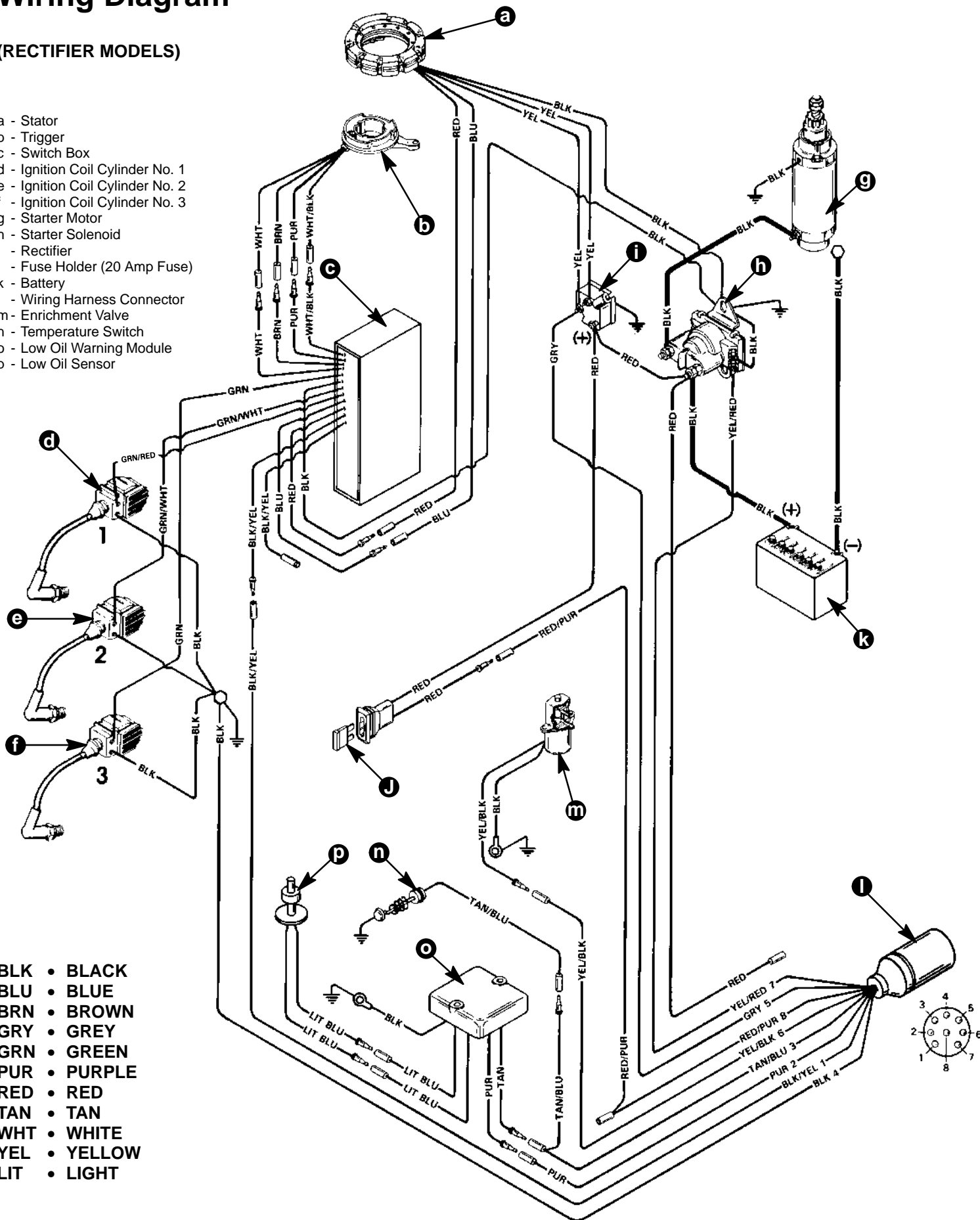
53471



Model 50/60 Electric Start Wiring Diagram

(RECTIFIER MODELS)

- a - Stator
- b - Trigger
- c - Switch Box
- d - Ignition Coil Cylinder No. 1
- e - Ignition Coil Cylinder No. 2
- f - Ignition Coil Cylinder No. 3
- g - Starter Motor
- h - Starter Solenoid
- i - Rectifier
- j - Fuse Holder (20 Amp Fuse)
- k - Battery
- l - Wiring Harness Connector
- m - Enrichment Valve
- n - Temperature Switch
- o - Low Oil Warning Module
- p - Low Oil Sensor



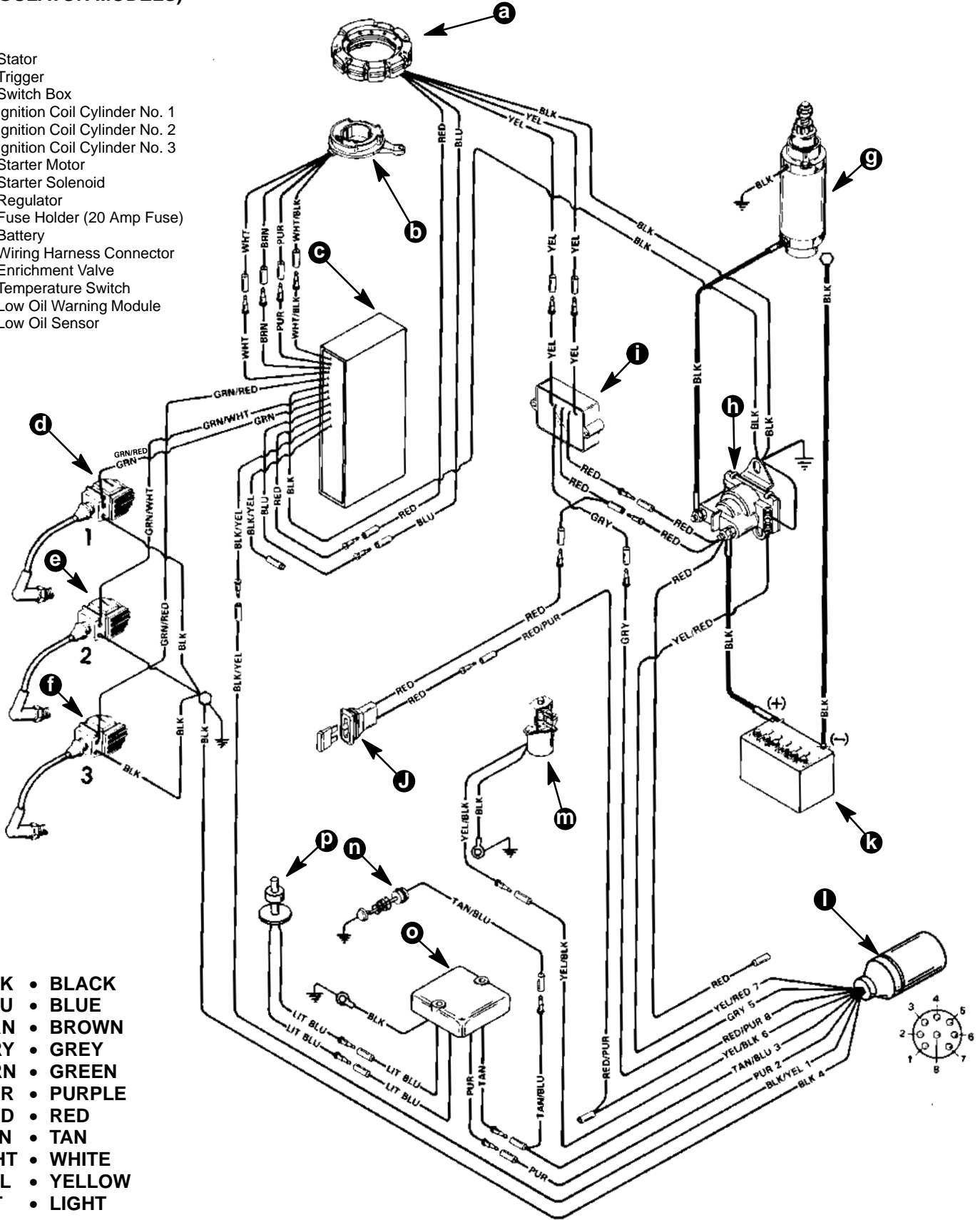
- BLK • BLACK
- BLU • BLUE
- BRN • BROWN
- GRY • GREY
- GRN • GREEN
- PUR • PURPLE
- RED • RED
- TAN • TAN
- WHT • WHITE
- YEL • YELLOW
- LIT • LIGHT



Model 50/60 Electric Start Wiring Diagram

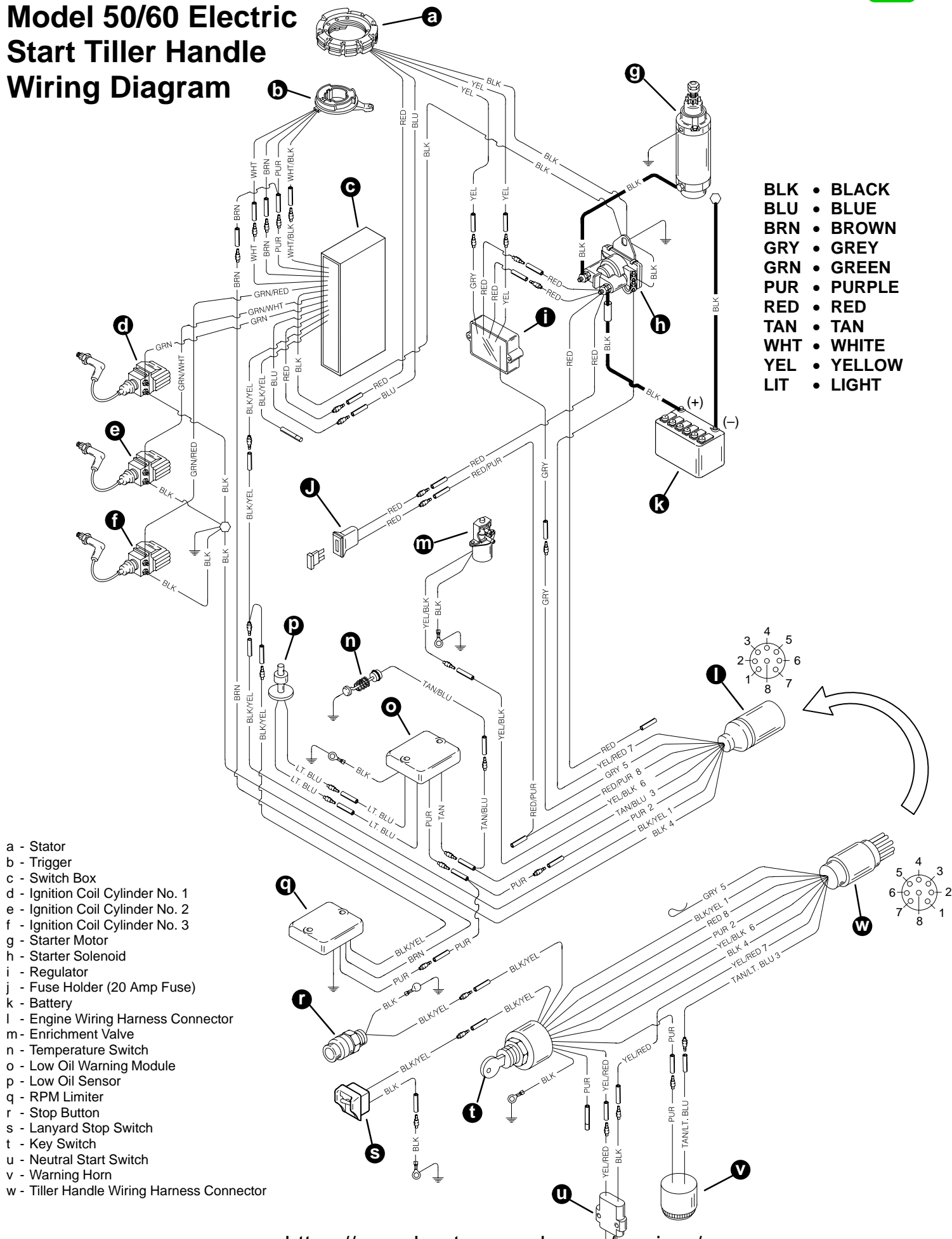
(REGULATOR MODELS)

- a - Stator
- b - Trigger
- c - Switch Box
- d - Ignition Coil Cylinder No. 1
- e - Ignition Coil Cylinder No. 2
- f - Ignition Coil Cylinder No. 3
- g - Starter Motor
- h - Starter Solenoid
- i - Regulator
- j - Fuse Holder (20 Amp Fuse)
- k - Battery
- l - Wiring Harness Connector
- m - Enrichment Valve
- n - Temperature Switch
- o - Low Oil Warning Module
- p - Low Oil Sensor





Model 50/60 Electric Start Tiller Handle Wiring Diagram

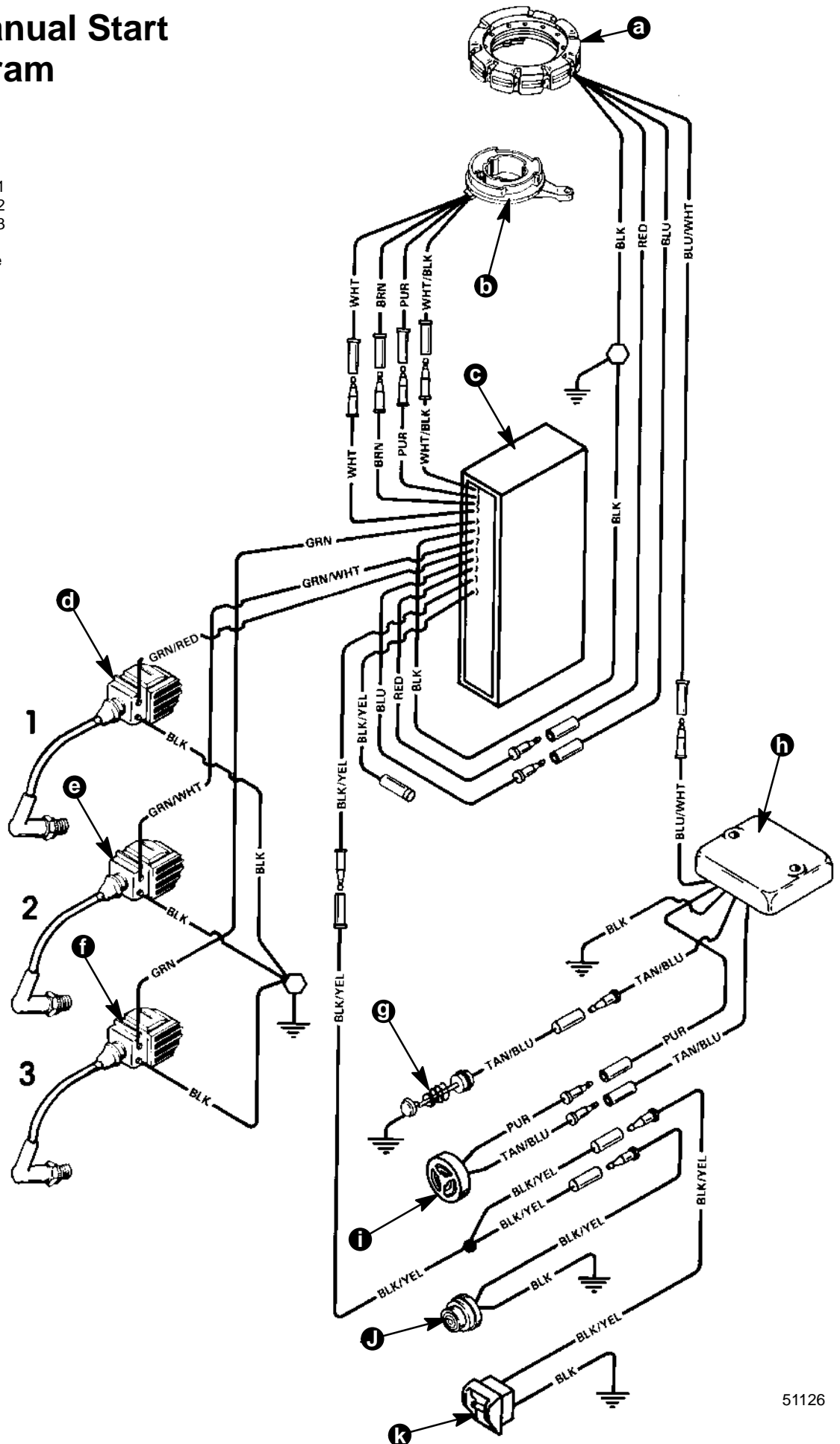




Model 55 Manual Start Wiring Diagram

- a - Stator
- b - Trigger
- c - Switch Box
- d - Ignition Coil Cylinder No. 1
- e - Ignition Coil Cylinder No. 2
- f - Ignition Coil Cylinder No. 3
- g - Temperature Switch
- h - Overheat Warning Module
- i - Warning Horn
- j - Stop Button
- k - Lanyard Stop Switch

- BLK • BLACK
- BLU • BLUE
- BRN • BROWN
- GRY • GREY
- GRN • GREEN
- PUR • PURPLE
- RED • RED
- TAN • TAN
- WHT • WHITE
- YEL • YELLOW
- LIT • LIGHT



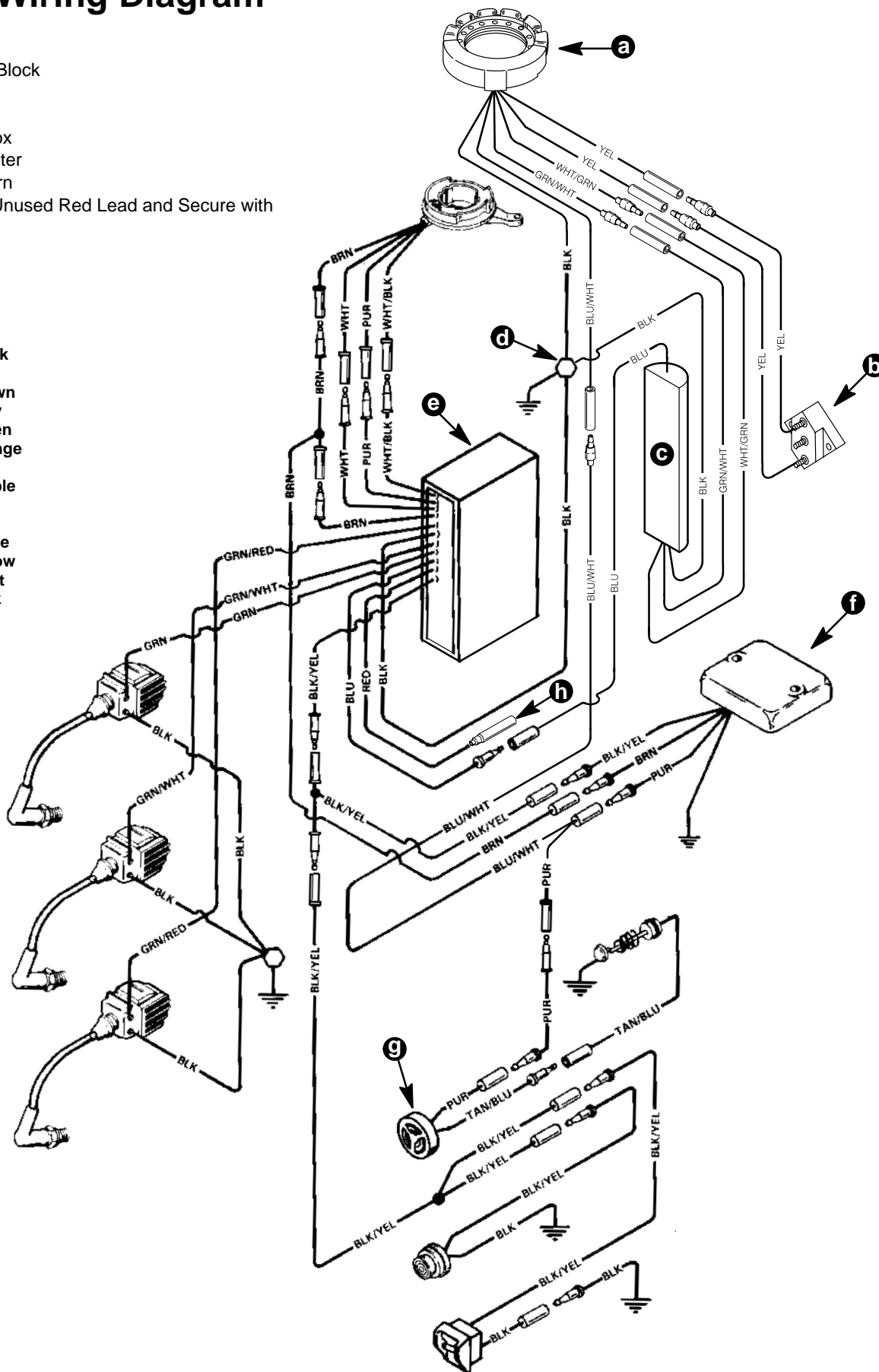
51126



55/60 Manual Start with RED Stator Wiring Diagram

- a - Stator
- b - Terminal Block
- c - Adaptor
- d - Ground
- e - Switch Box
- f - RPM Limiter
- g - Audio Horn
- h - Insulate Unused Red Lead and Secure with Sta-Strap

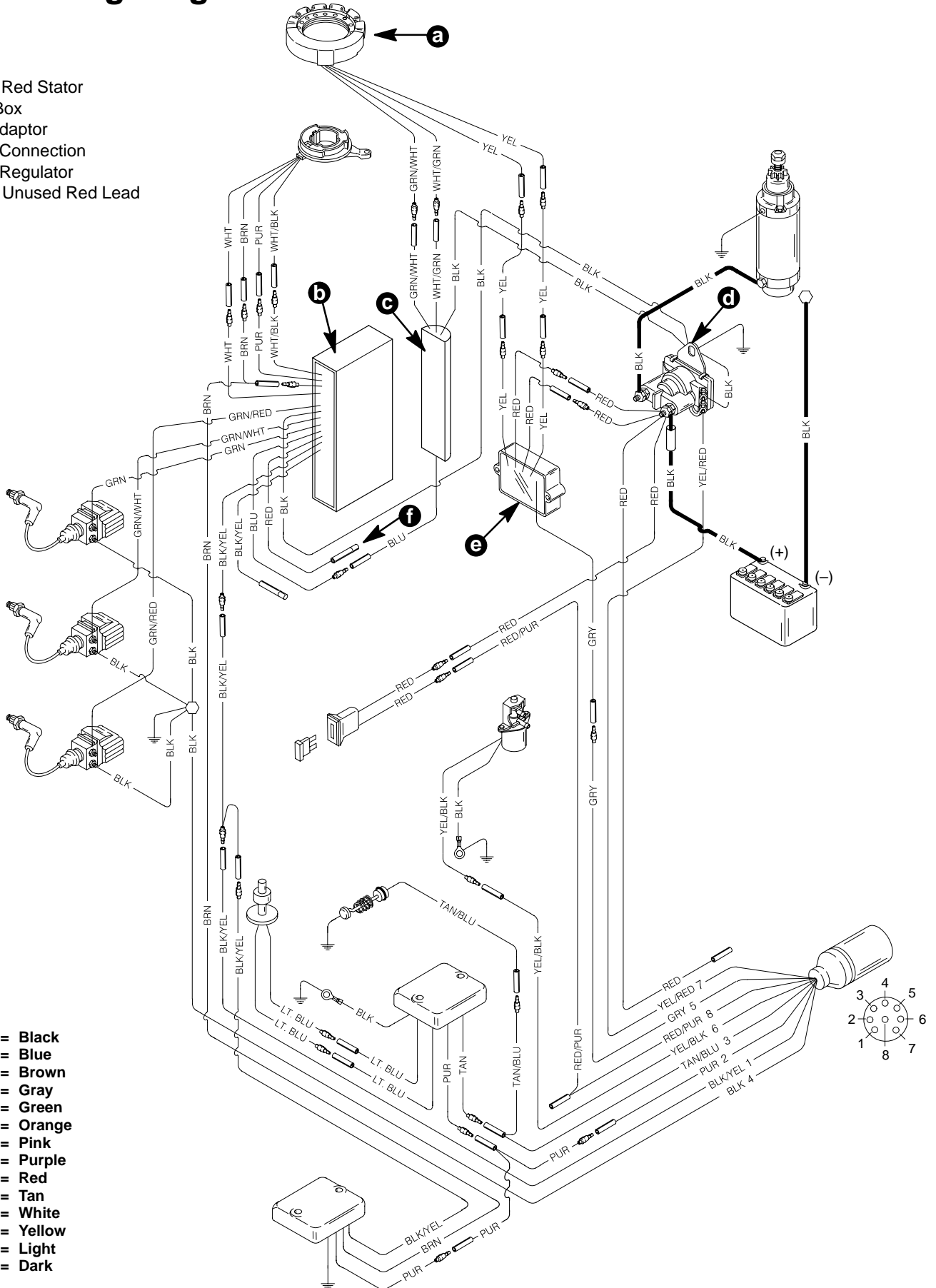
BLK = Black
 BLU = Blue
 BRN = Brown
 GRY = Gray
 GRN = Green
 ORN = Orange
 PNK = Pink
 PUR = Purple
 RED = Red
 TAN = Tan
 WHT = White
 YEL = Yellow
 LT = Light
 DRK = Dark





50/60 Electric Start with RED Stator Wiring Diagram

- a - 16 Amp Red Stator
- b - Switch Box
- c - Stator Adaptor
- d - Ground Connection
- e - Voltage Regulator
- f - Insulate Unused Red Lead

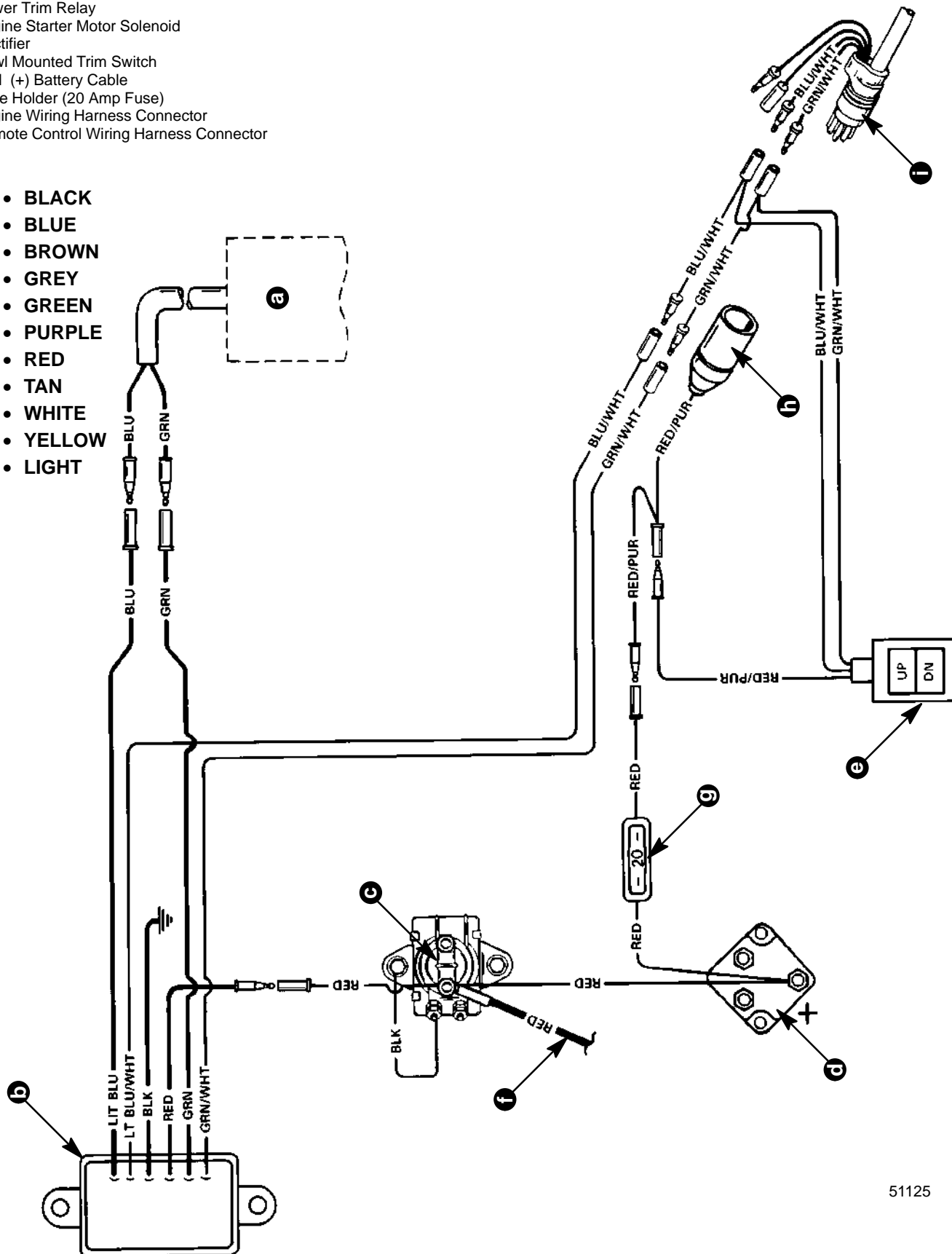




Model 50/60 Power Trim Wiring Diagram

- a - Power Trim
- b - Power Trim Relay
- c - Engine Starter Motor Solenoid
- d - Rectifier
- e - Cowl Mounted Trim Switch
- f - Red (+) Battery Cable
- g - Fuse Holder (20 Amp Fuse)
- h - Engine Wiring Harness Connector
- i - Remote Control Wiring Harness Connector

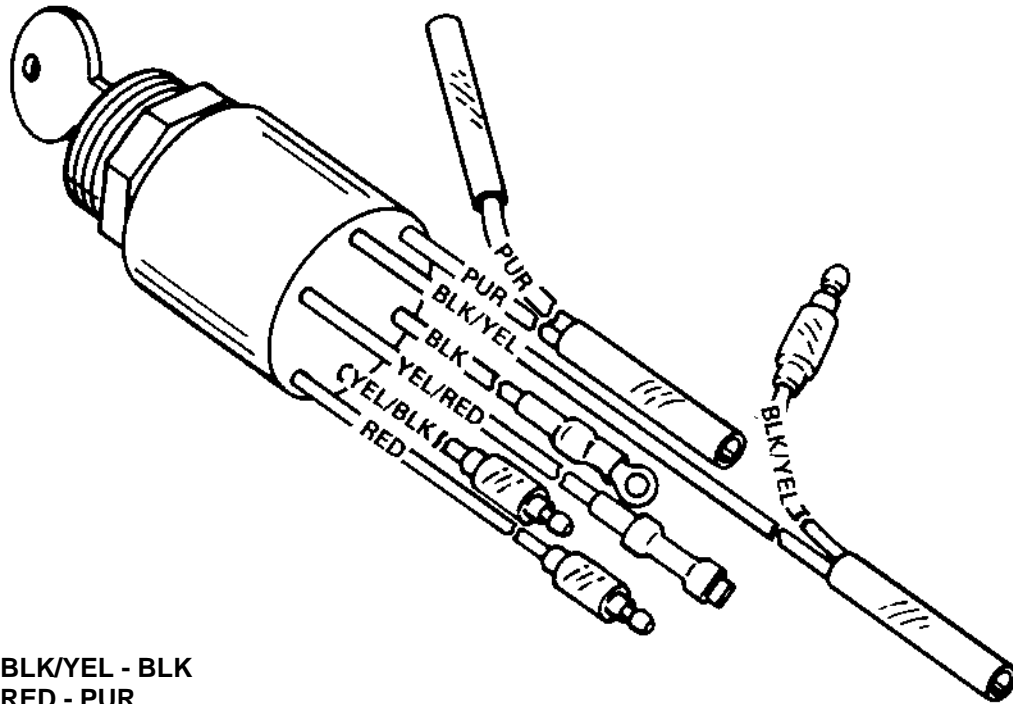
- BLK • BLACK
- BLU • BLUE
- BRN • BROWN
- GRY • GREY
- GRN • GREEN
- PUR • PURPLE
- RED • RED
- TAN • TAN
- WHT • WHITE
- YEL • YELLOW
- LIT • LIGHT



51125



Key/Choke Switch Continuity Test (COMMANDER 2000 Side Mount Remote Control)



23894

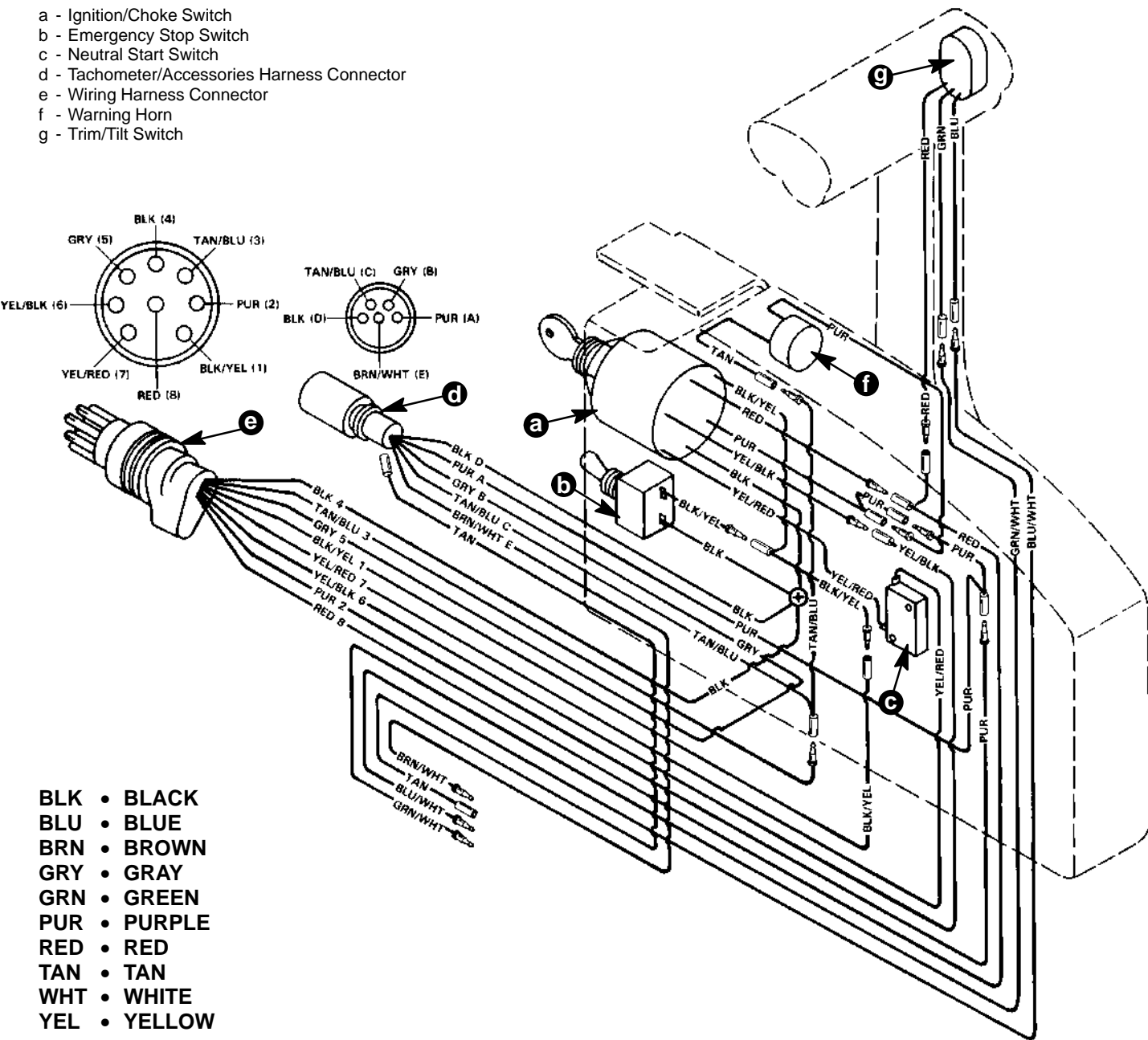
"OFF"	BLK/YEL - BLK
"RUN"	RED - PUR
"START"	RED - PUR - YEL/RED
PUSH (CHOKE)*	RED - YEL/BLK

*Key switch must be positioned to "RUN" or "START" and key pushed in to actuate choke, for this continuity test.



COMMANDER 2000 Side Mount Remote Control (Power Trim/Tilt Electric Start with Warning Horn) Wiring Diagram

- a - Ignition/Choke Switch
- b - Emergency Stop Switch
- c - Neutral Start Switch
- d - Tachometer/Accessories Harness Connector
- e - Wiring Harness Connector
- f - Warning Horn
- g - Trim/Tilt Switch

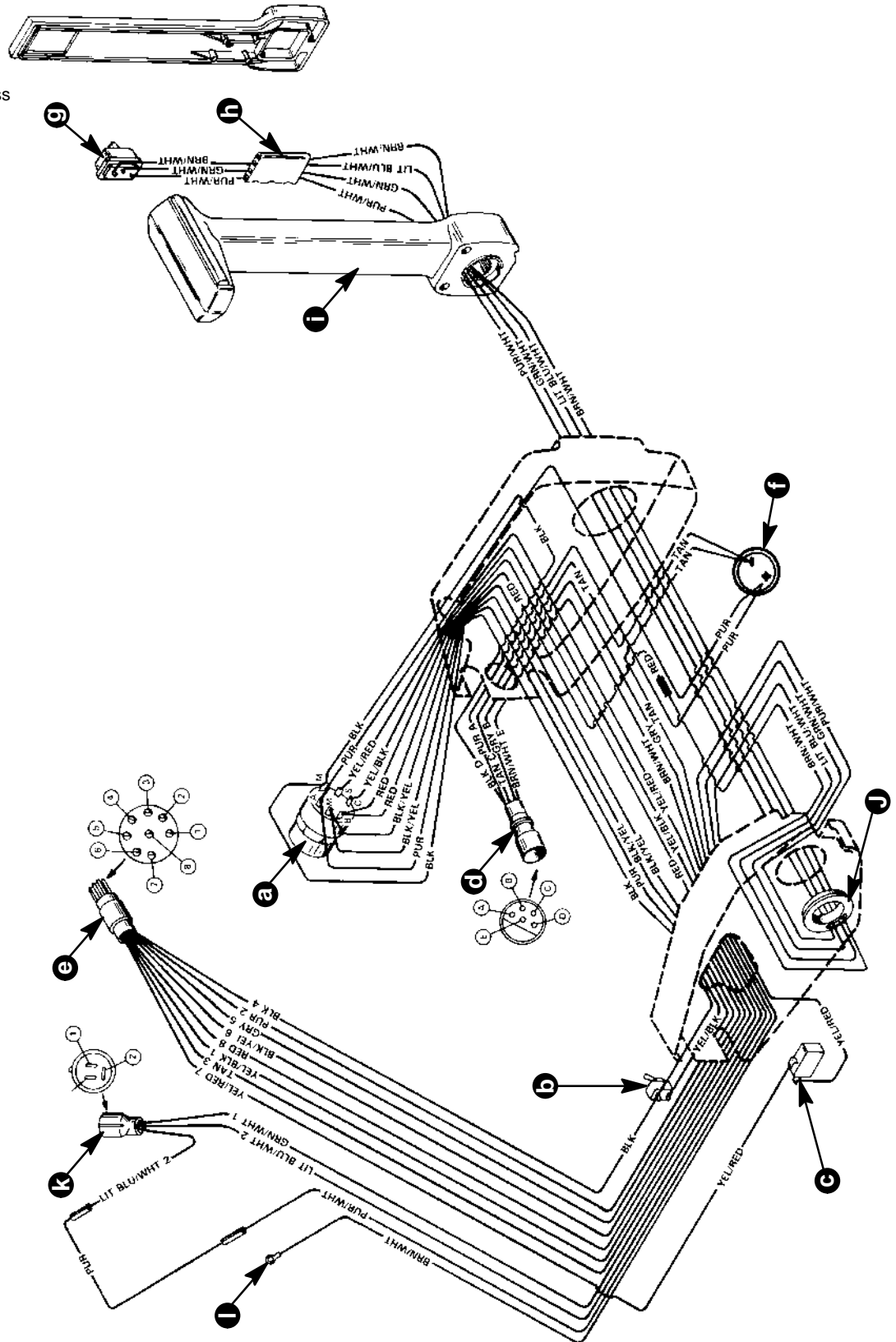




COMMANDER Side Mount Remote Control (Power Tilt Electric Start with Warning Horn) Wiring Diagram

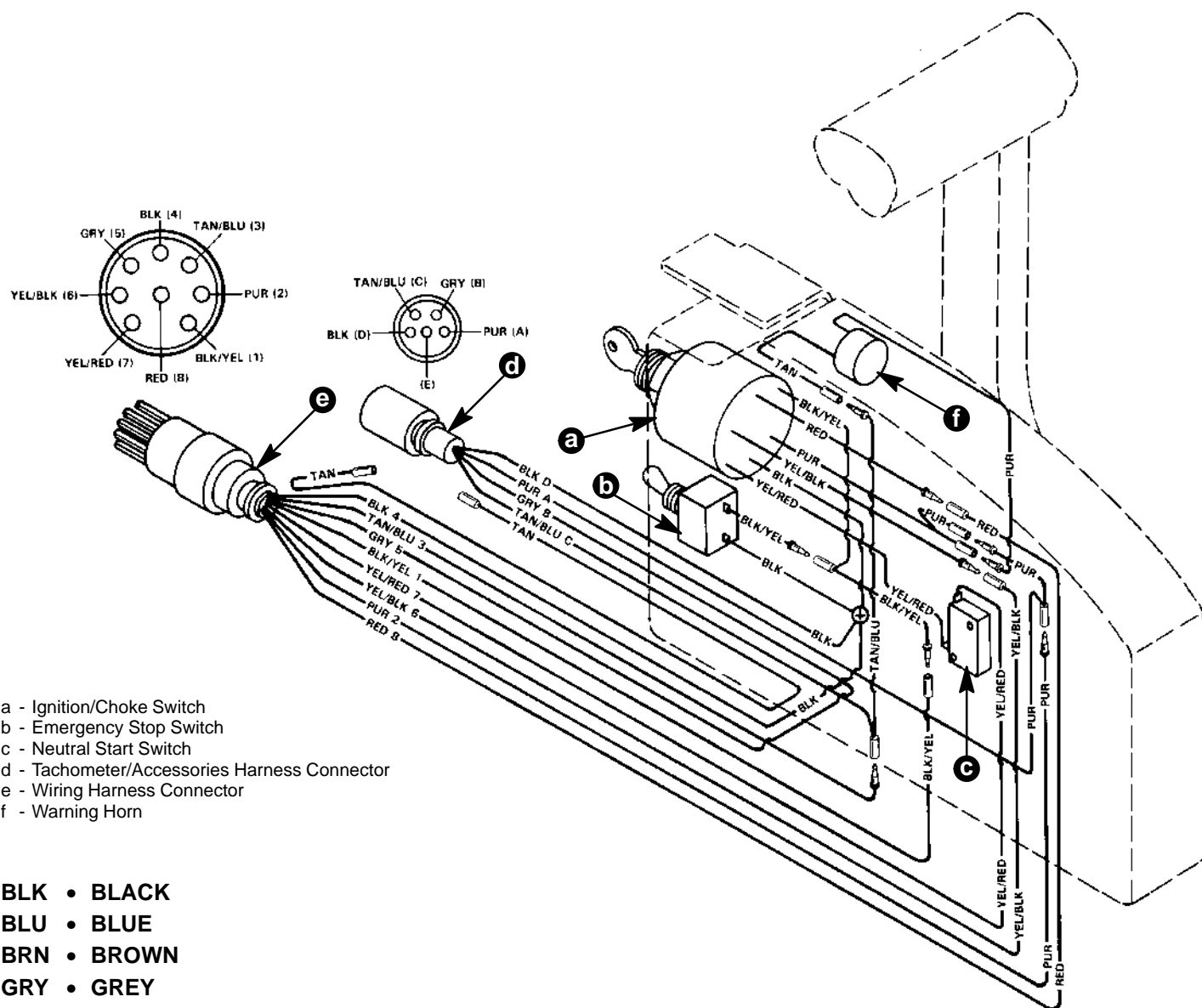
- a - Ignition/Choke Switch
- b - Emergency Stop Switch
- c - Neutral Start Switch
- d - Tachometer/Accessories Harness
- e - Wiring Harness Connector
- f - Warning Horn
- g - Trim/Tilt Switch
- h - Wire Retainer
- i - Control Handle
- j - Trim Harness Bushing
- k - Trim Harness Connector
- l - Lead to Trim Indicator Gauge

- BLK • BLACK
- BLU • BLUE
- BRN • BROWN
- GRY • GREY
- GRN • GREEN
- PUR • PURPLE
- RED • RED
- TAN • TAN
- WHT • WHITE
- YEL • YELLOW
- LIT • LIGHT





COMMANDER 2000 Side Mount Remote Control (Electric Start with Warning Horn) Wiring Diagram



- a - Ignition/Choke Switch
- b - Emergency Stop Switch
- c - Neutral Start Switch
- d - Tachometer/Accessories Harness Connector
- e - Wiring Harness Connector
- f - Warning Horn

- BLK • BLACK
- BLU • BLUE
- BRN • BROWN
- GRY • GREY
- GRN • GREEN
- PUR • PURPLE
- RED • RED
- TAN • TAN
- WHT • WHITE
- YEL • YELLOW
- LIT • LIGHT