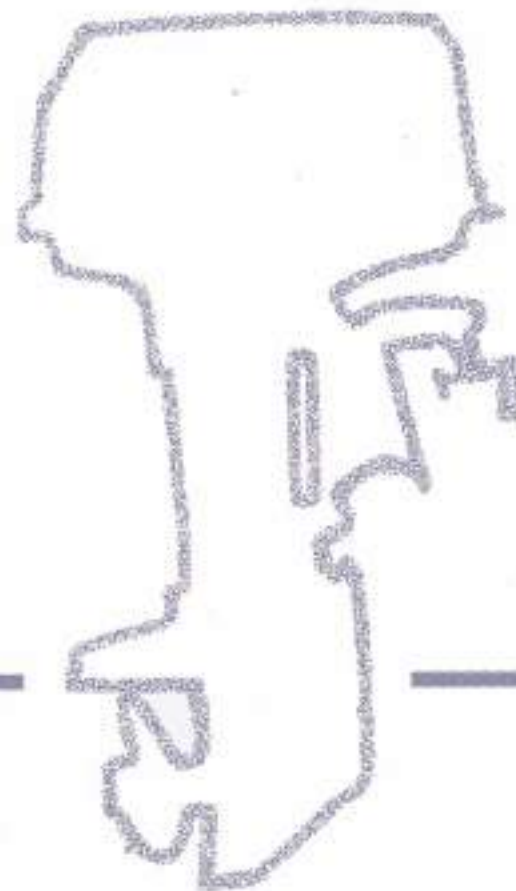


OWNER'S MANUAL

Izmir

Naxos



This manual must be considered as an integral part of your outboard motor and has to be kept with it, also if the motor is resold. **Selva joint-stock CO.** reserve the right to change its product at any moment, except for the essential specifications, which will be kept as they are.

Any reference to products or details of a third party has only an informative purpose and it doesn't represent an obligation.

Selva joint-stock CO. doesn't take on any responsibility concerning the performance or the employment of these products.

We are glad that you have chosen a **SELVA MARINE** product, which means quality, technology and careful research. Your choice will give you many advantages, which you will soon learn to appreciate. Our dealers, our after-sales service and the guarantee, which you have signed, together with the observance of the information contained in this owner's manual are the essential conditions to give your recent purchase a long life.

Your holiday, your favourite sport, your job, which has from today the name **SELVA MARINE**, will be a further moment of satisfaction.

This manual belongs to Selva joint-stock CO. All rights reserved. Any partial or total reprinting without the permission is prohibited.

INTRODUCTION

Before operating this outboard motor, read this Owner's Manual carefully and completely, pay attention especially to the safety measures and rules.

Your safety and other people's safety do not depend only on your ability at using the motor, but they depend also on your knowledge and on the efficiency of the motor as well as on the respect of the laws and regulations relating to the use of outboard motors.

We suggest you improve your knowledge of the motor so that you can sail with mastery and confidence.

If any kind of repair on the motor should not have been clearly described in this manual or if you want to order spare parts or accessories, or if you have any question about the operation or maintenance of your outboard motor, please consult an authorised **SELVA MARINE** service station or **SELVA MARINE** dealer.

ATTENTION

Pay attention to all the particularly important information that in this manual are distinguished in the following ways:



Safety measures and rules, which protect the machine operator and other people from serious accidents or risks.



Directions or special precautions that must be taken to avoid damage to the outboard motor or personal accidents.



Directions that make procedures easier or clearer. Technical information.

OUTBOARD MOTOR IDENTIFICATION DATA

This data is stamped on the label attached on the clamp bracket, as shown on the picture 1.

When you receive your new SELVA outboard motor write down the serial number, it will be useful to you in case you will have to order spare parts or for reference if your outboard motor should be stolen.



**Make sure that the data on the label is the same as the data written in your registration book.
Picture No.1**



Do not install an outboard motor with more horsepower than shown in the certification of your boat.

SERIAL NUMBER RECORD

Write down the identification number and the model of your outboard motor in the spaces below.

MODEL

SERIAL NUMBER

CONTENTS

<u>GENERAL INFORMATION</u>	1	Tilt-up the motor	19
Introduction	2	Overheat warning system	19
Outboard motor identification data.....	3	Emergency starting procedure	20
Serial number record	3	Running-in procedure.....	20
Directions for use. Basic safety measures.....	5	Stopping procedures	20
Specifications.....	8	Emergency stopping procedures	20
Location of main components.....	10	Stopping in normal conditions	20
Control functions.....	11	Stopping for a long period of storage	21
Wiring diagram.....	12	Removal of the motor from the boat.....	21
Symbols	12	Cleaning outside	21
<u>THE USE OF OUTBOARD MOTOR</u>	13	Cleaning cooling-water passages	21
Preliminary controls chart	13	Cleaning the fuel filter	22
Check of the supply	14	<u>MAINTENANCE</u>	22
Outboard motor mounting.....	14	Periodic inspections and adjustments chart.....	23
Trim angle adjusting	15	Greasing chart	23
Battery mounting	16	Greasing and additions	24
Fuel	17	Gearbox-oil change.....	24
Fuel.....	17	Spark-plug.....	24
Preparation of the fuel	17	Sacrificial anode.....	25
Fuel tank clamping and pipes connection.....	17	Replacement of the propeller	25
Starting	18	Towing.....	26
Verifications before starting the motor	18	Storage.....	26
Starting procedures with cold motor	18	<u>TROUBLESHOOTING</u>	27
Verifications when the motor is on.....	18	Troubleshooting chart	27
Cruising.....	19	<u>EXPLANATORY PICTURES</u>	29

DIRECTIONS FOR USE



BASIC SAFETY MEASURES

To use the outboard motor you must have all requisites provided by law (physical suitability, insurance, government duties, registration, and so on). We suggest you become familiar with your boat and SELVA motor in places, which are not too crowded.

Taking some medicines, alcoholic drinks or drugs increase considerably the risk of accidents.

Make sure that you are in a physical condition suitable for driving. Pay attention to tiredness.

The engine operator should not let his mind wander, or be distracted or influenced by other people, things or actions, (do not smoke, eat, read, and so on.) while steering the boat.

Use fuels and oils suitable for the engine, which are listed in the "greasing chart".

Check every so often the oil level and the fuel level.

Stop the motor before every kind of maintenance or cleaning procedures, and in case of complicated maintenance take the spark-plug cap out.

Picture No. 2.

Before opening the top cowling, wait till the engine has cooled down.

Do not open the top cowling, when the engine is running. **Picture No. 3.**

PAY ATTENTION TO THE PROPELLER

The propeller is certainly the least protected part of your motor. It is therefore forbidden to get near the propeller when this is rotating. You must leave bathers, skiers and other boat users enough space to move, in order to avoid any contact with the propeller. **Picture No. 4.**

The engine operator must attach the engine stop switch lanyard to his wrist when the motor is on. **Picture No. 5.**

Never sit on the motor. **Picture No. 6.**

Never change the inclination angle of your motor using the steering rod, but use the proper handle. **Picture No. 7.**

The motor must always have its top cowling on, when it is operating. **Picture-No. 8.**

When you connect the fuel joint, check the proper connection. **Picture No. 9.**

When starting there must be nobody within the engine operator's action radius.(model with manual start).
Picture No. 10.

There must be nobody within the motor steering radius.

Picture No. 11.

The free lock lever must always be engaged while the motor is in motion. Never tilt-up the motor out of the water, while it is in motion.

Picture No. 12.

Never pull the recoil starter handle, while the motor is running.(model with manual start). **Picture No. 13.**

To transport the motor use only the proper handle.

Before transporting the motor you have to tilt-up the steering rod properly. The fuel tank is also provided with a handle to use for the transport.

Picture No. 14.

When starting or operating the engine, do not touch electrical parts and particularly the ignition-coil, the high voltage wire, the spark-plug cap and the spark-plug itself.

When opening the safety valve of the fuel tank, highly flammable vapours come out. Do not smoke, inhale or use open flames close to it.

If the motor has had an accident, you should have it fully checked, before you use it again. If necessary let the **SELVA MARINE** authorised skilled staff have a look at it.

Do not use the motor, if the damage could have compromised the sailing safety.

Any alteration attempted on your motor or the removal of any of its basic elements, can compromise its safety, it is against the law, and it means the immediate loss of your guarantee.

Observe the laws in force.

Pay great attention to the weather conditions. Listen to the weather forecast and take the warnings to the sailors into consideration.

Keep your boat and equipment on board in a perfect state of efficiency.
Keep enough spare parts on board.
Inform somebody of your route, before sailing.

Prevent fires and explosions.

Before operating an outboard motor, you must know the laws and regulations relating to navigation.

Avoid sudden and dangerous manoeuvres

SELVA motors are only meant as propulsion for pleasure craft.

SELVA joint-stock CO. declines all responsibility for any damage to items or harm done to any person, which is due to an improper use of the motor.

SPECIFICATIONS

MODEL	IZMIR 8-S165	NAXOS 9.9-S175	NAXOS 15-S260
POWER	8,11HP / 5.96 Kw	9,98 HP/7,34 Kw	15 HP / 11 Kw
FULL THROTTLE OP. RANGE	5500	5500	5500
PISTON DISPLACEMENT	170 c.c.	259 c.c.	
BORE X STROKE	49 x 45	58 x 49	
NUMBER OF CYLINDER	2 in a line		
ENGINE TYPE	cycle eight - 2 stroke		
FUEL PUMP	N° 1 membrane pump		
AVERAGE CONSUMPTION	2.5 litres / hour	3 litres / hour	4,5 litres / hour
FUEL	mixture of 2% petrol with "SELVA OUTBOARD MOTOR OIL" (TC-WII) oil		
FUEL TANK	litres 12		litres 23
RECOMMENDED ENGINE OIL	oil "SELVA OUTBOARD MOTOR OIL"		
IGNITION	electronic nautical with capacitive discharge		
SPARK LEAD	electronic automatic programmed with the engine revolutions		
MANUAL STARTING	manual with rope, which return automatically on the pulley		
ELECTRIC STARTING	standard with a generator 12 Volt/70 watt and current rectifier to recharge the battery		
SPARK PLUGS	Bosch W7BC - Champion L87Y - Lodge H heat range 175		
EXHAUST	submarine depression-working through the propeller-hub		
COOLING	water cooling with forced circulation caused by a pump		
PROPELLER REDUCTION RATIO	13 / 25		
GEAR SHIFT LEVER	forward gear - neutral gear - reverse gear		
RECOMMENDED GEARBOX OIL	"SELVA OUTBOARD MOTOR GEARBOX OIL" (API GL-5 SAE80W/90)		
GEARBOX-OIL QUANTITY	155 cc.		
PROPELLER TYPE	anti-weed with three blades		
TRIM ANGLE ADJUSTING	5 positions, which you can select through pin		
SUSPENSIONS	anti vibrations annular shock-absorber		
HEIGHT OF THE TRANSOMS(mm)	normal shaft mm 390 - long shaft mm 520		
WEIGHT (kg)	normal shaft kg.30 - long shaft kg. 31		normal 30.5 long 31,55

MODEL	IZMIR 5 XS S165XS	IZMIR 6 XS S165XS	NAXOS 6 XS S260XS	NAXOS 8 XS S260XS	NAXOS 10 XS S260XS
POWER	5HP / 3,7 Kw	6HP / 4,41 Kw	6HP / 4,41 Kw	8 HP / 5,9 Kw	10 HP / 7,35 Kw
FULL THROTTLE OP. RANGE	5000	5000	4500	4500	5500
PISTON DISPLACEMENT	170 c.c.		259 c.c.		
BORE X STROKE	49 x 45		58 x 49		
NUMBER OF CYLINDER	2 in a line				
ENGINE TYPE	cycle eight - 2 stroke				
FUEL PUMP	N° 1 membrane pump				
AVERAGE CONSUMPTION	2.5 litres / hour		3 litres / hour	4,5 litres / hour	5 litres / hour
FUEL	mixture of 2% petrol with "SELVA OUTBOARD MOTOR OIL" (TC-WII) oil				
FUEL TANK	litres 12			litres 23	
RECOMMENDED ENGINE OIL	oil "SELVA OUTBOARD MOTOR OIL" (TCWII)				
IGNITION	electronic nautical with capacitive discharge				
SPARK LEAD	electronic automatic programmed with the engine revolutions				
MANUAL STARTING	manual with rope, which returns automatically on the pulley				
ELECTRIC STARTING	standard with a generator 12 Volt/70 watt and current rectifier to recharge the battery				
SPARK PLUGS	Bosch W7BC - Champion L87Y - Lodge H heat range 175				
EXHAUST	sub-marine depression-working through the propeller-hub				
COOLING	water cooling with forced circulation caused by a pump				
PROPELLER REDUCTION RATIO	13 / 25				
GEAR SHIFT LEVER	forward gear - neutral gear - reverse gear				
RECOMMENDED GEARBOX OIL	"SELVA OUTBOARD MOTOR GEARBOX OIL" (API GL-5 SAE80W/90)				
GEARBOX-OIL QUANTITY	150 cc.				
PROPELLER TYPE	anti-weed with three blades				
TRIM ANGLE ADJUSTING	5 positions, which you can select through pin				
SUSPENSIONS	anti vibrations annular shock-absorber				
HEIGHT OF TRANSOMS(mm)	normal shaft mm 390 - long shaft mm 520				
WEIGHT (kg)	normal shaft kg.30 - long kg 31		normal shaft kg 30.5 long kg 31.5		

Selva joint-stock CO reserve the right to change weight, construction, materials and characteristics without warning and without therefore having to change the motors, which were built previously. **See picture N.15 for the dimensions.**

LOCATION OF MAIN COMPONENTS

See picture No. 16

N°	DESCRIPTION
1	Tilt-up handle and air intake
2	Back cowling lock lever
3	Transport handle
4	Cooling system warning lamp
5	Gear-shift lever (R = reverse gear ; N = neutral gear ; F = forward gear)
6	Steering adjustment
7	Tilt-up lever
8	Trim angle adjusting-rod
9	Anode
10	Anti-cavitation plate
11	Propeller nut
12	Propeller
13	Water inlet
14	Front cowling lock lever
15	Engine stop switch
16	Recoil starter handle (model with manual start)
17	Fuel joint
18	Engine stop switch (model with manual start)
19	Choke knob (model with manual start)
20	Steering rod
21	Steering handle
22	Throttle control adjustment
23	Free-lock mechanism
24	Clamp to fix the motor
25	Hole for the engine cleaning joint plug
26	Oil-level plug hole
27	Oil drain-plug hole
28	Starting panel - electric start
29	Switch key
30	Choke switch

CONTROL FUNCTIONS

Gear-shift lever.

Starting out from the position of neutral gear (N), move the lever in boat direction and you engage the clutch with the forward gear.

Moving it in the opposite direction, you engage the reverse gear (R).

Picture No. 17.

Push-button to stop the motor. (Model with manual start)

Pressing the stop button (red) the ignition circuit is broken and the engine stops immediately. **Picture No. 18.**

Choke.

This control supplies a rich mixture required to start the cold engine.

Picture No. 19.

Fuel joint

Connecting the fast fuel joint, you connect the fuel hose to the fuel tank.

Picture No. 20.

Recoil starter handle. (Model with manual start)

Pulling this handle, you start the engine.

Picture No. 21

Switch key. (Model with electric start)

Turning the key clockwise, you operate the starter-motor, in the opposite direction, you stop the motor. **Picture No. 22**

Engine stop switch.

Button to stop the engine in an emergency.

Picture No. 23.

Throttle-control adjustment.

Device which permits to have a constant speed.

Picture No. 24.

Accelerator-grip/steering-handle.

Turn the grip to operate the accelerator, and move it sideways to adjust the steering angle. **Picture No. 25.**

Cowling lock lever.

Moving this two levers upwards locks the top cowling. To remove the top cowling push the cowling lock levers downwards. **Picture No. 26.**

Free-lock mechanism.

This mechanism is used to prevent reverse thrust from the propeller lifting the outboard motor when reversing.

Picture No. 27.

Clamp-screws.

Use them to clamp the outboard motor on the transom.

Picture No. 28.

Steering adjustment grip.

With it you can adjust the resistance to steering movement. Screw it to increase resistance. **Picture No. 29.**

Tilt-up lever.

Using it you lock or unlock the motor in the tilted up position. **Picture No. 30**

Trim angle adjusting-rod.

It can be positioned in different holes in order to obtain the appropriate trim angle. **Picture No. 31.**

Wiring diagram.

Model with manual start

Legend

- 1 - Flywheel
- 2 - Ignition-coil
- 3 - Sparking plug.
- 4 - Emergency engine stop switch.
- 5 - Button to stop the motor
- 6 - Thermo switch

Picture No. 32

Wiring diagram.

Model with electric start

Legend

- 1 - Key board
- 2 - Choke switch
- 3 - Engine stop switch
- 4 - External wiring
- 5 - Internal wiring
- 6 - Starter-motor
- 7 - Remote control switch
- 8 - Battery
- 9 - Electrochoke
- 10- Rectifier
- 11- Generator
- 12- Ignition-coil
- 13- Spark-plug
- 14- Fuse
- 15- Thermo switch

Fig. 33

Wiring colour scheme

Red	Re	Light blue	Az
Black	Ba	Grey	Gr
Blue	Bu	Orange	Or
Brown	Br	White	Wh
Black/light blue	Ba/Az		

SYMBOLS see picture No. 34

- 1 - A serious risk is present. The machine operator must read and follow the instructions in the manual.
- 2 - Pull the choke knob.
- 3 - Position of the gear-shift lever.
- 4 - Outboard motor free lock.
- 5 - Opening level of the throttle.
- 6 - Warning against fire hazard.
- 7 - Starter-switch for engine.
- 8 - Button to stop the motor
- 9 - Switch key. (Mod. with electric start).

PRELIMINARY CONTROLS CHART

DETAIL	CHECK DESCRIPTION	PAGE
Complete supply	Check that the motor supply includes all the components, that are in the detailed list	14
Right installation	Check the proper installation of your motor (the centre of the transom.).	14
	Check the proper mounting height of your motor.	14
	Check the tightness of the clamp screws.	15
Battery and fuel tank	Check position of battery and fuel tank as from detailed list.	16-17
Fuel	Check the conformity of the fuel to the detailed list.	17
Fuel hose connection	Check the proper connection of the fuel hose.	17
Check of the equipment on board	Check that you have on board everything necessary to face a possible emergency.	



Before leaving always check your motor to make sure that it is in a perfect state of efficiency, check its proper and safe functionality. Failure to check as shown in the chart could result in severe injury to people or damage to the boat.



If you ever have a question about the operation of your outboard motor, or if you should find any kind of anomaly, please consult a SELVA MARINE dealer. The time which is needed to check your motor is very modest, but the safety, that you obtain from it is enormous

Check of the supply.

When you receive your motor, check that:

- the packing is integral
- the supply corresponds to the detailed list:
 1. the entire motor
 2. fuel tank supplied complete with the fuel hose and fast fuel joint (for the motors with separate fuel tank)
 3. tool-bag
 4. use and maintenance manual
 5. certificate of guarantee
 6. declaration of conformity EEC.
 7. list of our dealers and our after-sales service

- that there is no evident damage. If there is a damage or if parts are missing, you must inform immediately and in detail the forwarding-agent, SELVA joint-stock CO. or its area agents. **Picture No. 35.**

Outboard motor mounting.



A good position of the motor on the transom is very important to have an appropriate trim angle and therefore to obtain a good performance from your boat

To have the optimum mounting height of the outboard motor, you must mount it so that the anti-cavitation plate is between the bottom of the boat and a level of 2 cm below it and it is parallel to it.



If the mounting-height is too high, cavitation tends to occur and consequently there will be a falling-off in the performance and a probable overheating of the motor.

If the mounting-height is too low, the water-resistance will increase and thereby reduce engine efficiency.

Picture No. 36.



The motor must be vertical to the water surface and the brackets mounted on a flat even surface and should be fully supported by the top edge of the transom.

If the bracket is not fully supported or, if the transom height is too low, a hard wood block should be securely fitted between the bracket and the transom.

Picture No. 37.

Trim angle adjusting

The trim angle is the inclination angle, that should be given to the motor in order to obtain an optimal performance from your boat.



An improper trim angle does not only affect the performance of your boat, but can also cause loss of control, which means danger for the people on board.



While sailing the motor should be perpendicular to the water surface, but the trim angle can be 3 degrees to 5 degrees.

If the trim angle is made too great, the buoyancy centre of the boat will shift towards the stern. In this condition, and if the stability moment at the bow is large, the boat will tend to "porpoise". If the trim angle is insufficient, the bow may "plough", making the boat unstable.

When the boat is in stable trim it remains parallel to the water.

To adjust the trim angle proceed as follows:

- push down the free-lock lever and tilt up the motor till the first automatic stop;
- lock the motor in the tilted up position, pushing down the tilt-up lever;
- remove the adjusting-rod and reposition it in the hole, which allow the appropriate trim angle;
- slightly tilt up the motor, unlock the tilt up lever, pushing it upwards and bring the motor back to the vertical position, so that it leans on the adjustment pin;
- set the free-lock lever to the lock position;



Improperly distributed load on boat or in different positions can alter the ideal trim conditions.



You must adjust the trim angle when the engine is switched off.

Picture No. 38



Ensure the transom clamp screws are tightened securely.

Picture No. 39.

BATTERY MOUNTING

Connecting the battery



Before connecting or disconnecting the battery leads turn the switch key in the anti-clockwise direction, to avoid risks of electric shock, fire or explosion.



It is important to install with the battery the battery disconnect device.

Mount the battery in a dry, well-ventilated, vibration-free location in the boat.



Recommended battery type: 12V 40 AH (144 kC)

Connect the red lead to the **positive terminal(+)** first; then connect the black lead to the **negative terminal(-)**.

1 - Red lead

2 - Black lead

3 - Battery

4 - Battery disconnect device

picture No. 40.

To disconnect the battery, disconnect the black lead first.



Battery electrolytic fluid is dangerous; it contains dilute sulphuric acid and therefore is poisonous and highly caustic
Always follow these preventive measures:

- Avoid bodily contact with electrolytic fluid as it can cause severe burns or permanent eye injury.
- Wear protective eye gear when handling or working near batteries.
- If any battery electrolytic fluid spills onto your skin, flush with water.
- If you should get battery electrolytic fluid in your eyes flush with water for 15 minutes and get immediate medical attention.
- If you should swallow battery electrolytic fluid, drink large quantities of water or milk followed by milk of magnesia, beaten eggs or vegetable oil. Get immediate medical attention.

Batteries also generate explosive hydrogen gas. Therefore avoid operating in areas which are not well-ventilated or near fire, spark, or open flames. **DO NOT SMOKE** when charging or handling batteries.

KEEP BATTERIES AND ELECTROLYTIC FLUID OUT OF REACH OF CHILDREN.

FUEL



Fuel

The fuel used for the propulsion of internal combustion engines is highly flammable and, in certain cases can become explosive.

Refuelling and maintenance operations must be done in a well-ventilated area and with the engine stopped.

Do not smoke while refuelling, keep away from sparks, flames, or other sources of ignition, which could cause fire or explosion.

Do not spill gasoline. If gasoline spills, wipe it immediately with dry rags, before starting the motor .

Do not overfill the fuel tank, because gasoline expands with the heat and the sun radiation.

Tighten the filler cap securely after refuelling.

Do not let gasoline get into your eyes or onto your skin. Avoid swallowing gasoline or inhaling its vapour. Do not pour fuel off using a pipe.

If you should swallow some gasoline, inhale a lot of gasoline vapour, get some gasoline in your eyes, or if any gasoline spills onto your skin, get immediate medical attention.

Keep out from children reach.

Preparation of the fuel



Use only petrol with a octane number higher than 95 N.O. Research and that does not contain alcohol, with the addition of 2% of oil proper for mixture (see the detailed list)



Pour first the oil and then the petrol into the fuel tank, then mix the fuel thoroughly by shaking. It is a good custom, if you use the motor after a break longer than one day, to shake the fuel tank in order to mix oil and petrol thoroughly.

Fuel tank clamping and pipes connection

Put the fuel tank horizontally in the hull, anchored to the bottom, in a place where it does not hinder your movements and so that the piping is long enough to reach the motor.

Then connect the piping to the fuel joint. **Picture No. 41**

For this operation you have to insert the female fast fuel joint.

Now you have to check the full connection, is secure pulling lightly the joint (do not pull grasping the hose). **Picture No. 42.**

To release it is enough to pull the ring nut of the fast joint.

STARTING

Verifications before starting the motor



Check that the top cowling is locked, that the free-lock mechanism is in the lock position and that the gear-shift lever is in the neutral position (N)

Picture No. 43.

Make sure that the lock plate is installed on the engine stop switch. **Picture No. 44.**

Starting procedures with cold motor

Loosen the safety valve on the fuel tank. **Picture No. 45**

Fill up the carburettor with fuel using the little hand pump (you have reached your aim, when the pump has become firm). Place the throttle-grip in the "start" position. **Picture No. 46.**

Model with manual start

Pull out the choke knob

Pull the starter-handle slowly so that the starter pinion engages with the flywheel.

Then give a strong pull, but not too strong, and repeat if necessary the procedure. **Picture No. 47.**

Set the choke knob to home position. **Picture No. 48.**

Pull the starter-handle powerfully until the engine starts.

Picture No. 48.

Model with electric start

Push the choke switch, turn the key clockwise completely, keep it in this position for a maximum of 5 seconds. Immediately when the engine starts, release the switch key and the choke switch. **Picture No. 49.**



When the engine is still warm, you do not need to use the choke knob. Should the engine fail to start after many attempts, refer to the section on troubleshooting

Verifications when the motor is on

Just after starting the motor, you should make sure that :



- after 5/10 seconds, water runs out from the cooling-water pilot-holes. The indicator at the entrance of the circuit, provides only for the proper operation of the pump and not for the circulation of water in the head and in the cylinder. That means that possible shortages will not be indicated. If water does not flow from the pilot-holes check to see if the water-inlets are blocked. **Picture No. 50;**

- that you do not hear any strange noise;
- that the throttle-grip operates in a proper way;
- that the gear shift lever operates properly and that with the reverse gear selected the motor does not rise;
- that the engine stop switch operates properly;

CRUISING

Responsibility during the navigation.

The operator is responsible for the proper running of the boat and for the safety of the people on board.

Everybody must read this manual before cruising. Show all the passengers the location of the safety equipment and the way to use it. Teach one of your passengers, how to pilot the boating an emergency. Familiarise yourself with the laws and regulations in force where you want to sail.

Tilt-up the motor

To tilt up the motor do as follows:

Switch off the engine. Unlock the free-lock lever. Tilt the engine up using the proper handle. Push downwards the tilt-up lever.

To bring it back to the cruising position, you just have to tilt up slightly the engine, unlock the tilt-up lever pushing it upwards, and bring the motor back to the vertical position, so that it leans on the adjustment pin; set the free-lock lever to the lock position;

Picture No. 51.



Start-in-gear protection device

This feature permits the engine to be started only when it is in Neutral.

Overheat warning system



The engine is provided with an overheat warning device. Before the engine becomes too hot, the engine speed falls suddenly (as a matter of fact this device leaves out the connection of an ignition-coil)

If the overheat warning system operates, proceed as follows: Check that water runs out of the pilot hole. If OK, keep the engine at low speed for about five minutes. Then avoid overloading the engine. If no water or just a little runs out from the pilot hole, stop the engine, tilt it up, as shown in this manual and check the water inlets for blockages. If blocked, you must clean them, bring the motor back to the home position and start it and run it at low speed for about five minutes; check that water runs out of the pilot hole.

If after having done all this, you start the engine and no water runs out of the pilot hole, stop immediately the motor and contact a SELVA MARINE concessionaire.



Switch always the engine off, before tilting it up.

Once you have brought the motor back to the cruising position, lock the free-lock lever, before starting sailing again.

Do not keep the engine running, if no water runs out of the pilot hole.

Emergency starting procedures

If the starter does not operate, the engine may be started with an emergency starter rope.

Carry out the following operations :

remove the top cowling; place the gear-shift lever in the neutral position " N ", and the throttle-grip in the start position and check the installation of the lock-plate on the engine stop switch (For the models with electric start, turn the switch key in the ON position). Insert the knotted end of the emergency starter rope into the notch in the flywheel rotor, wind the rope two turns clockwise, then pull strongly to start. repeat if necessary. **Picture**

No. 52



When starting the engine with the emergency starter rope, it is very important to make sure that nothing can get entangled in the engine. A rotating flywheel is very dangerous. never try to replace the top cowling when the engine is running. Proceed at once to the nearest port to get the engine repaired. Take care to prevent water splashing onto the flywheel.

RUNNING-IN PROCEDURE

A SELVA outboard motor is tested completely in our workshop and it is partially run in a tank. A second test is done by the concessionaire It is always advisable to complete the running in procedure in the following way:



During the first 15 running hours you must use a fuel with oil at 3%.

During the first 3 running hours do not accelerate too much, and during the following hours you can accelerate properly but only for short periods.

After about 20 hours you have to change entirely the gearbox-oil (see the greasing sectioning this manual).



A good running in will allow you to obtain a good performance from your motor and a longer endurance of it.

STOPPING PROCEDURE

Emergency stopping procedures.



In an emergency you must stop your motor pulling the engine stop switch lanyard.



To start the motor again you have to install again the lock plate on the engine stop switch. **Picture No. 53.**

Stopping in normal conditions

Place the gear-shift lever in the neutral position " N " (neutral gear); accelerate light in order to avoid flooding, run the engine again at idling speed and then push the stop button, (for model with manual start). **Picture No. 54.**

Turn the switch key in the anti-clockwise direction, (for model with electric start). **Picture No. 54.**

Stopping for a long period of storage.

If you will not use the motor for several days, you should stop the engine in the following way:

Run the engine at idling speed, place the gear-shift lever in the neutral position " N "and keep the choke knob pulled until the engine stops.

Removal of the motor from the boat



Each time that you remove the motor from your boat, you must let it cool down and then you have to do the following operations :

- disconnect the fast fuel joint.
- disconnect the battery.
- release the clamp screws.
- lift up the motor vertically and keep it in this position till all the water has run out from the cooling-water passages (about 1 minute)
- tilt up the steering rod.
- transport the motor using the proper handle.
- lay down the motor only on its back side.

Picture No. 55.

CLEANING

Cleaning outside

SELVA motors do not need much cleaning, to clean the painted parts use a cloth soaked with water



Do not use flammable solvents.

Cleaning cooling-water passages

Every now and then after using, clean the cooling-water passages, in order to remove mud and salt, so that they do not affect the performance of your motor.

You can carry out this cleaning operation in two different ways:

1 - Immerse the outboard motor without the propeller in a vessel filled up with fresh-water, make sure that the water level is over the height of the water inlets, so that no irreparable damage could be caused to the motor. Shift the gear-shift lever into neutral " N ". Start the engine and run at low speed for a few minutes.

2 - Connect a pipe of fresh-water to the hole for the engine cleaning joint plug (use the proper joint available in the fittings series). Stop the water inlets. Shift the gear-shift lever into neutral. Start the engine and run at low speed for a few minutes.



While cleaning the cooling water passages make sure that water always circulates in the passages, checking its running out of the pilot hole.

Picture No. 56.

MAINTENANCE

Before doing any kind of maintenance or check operation, switch off the engine and wait till it has cooled down, then remove the spark plug cap, in order to avoid an accidental starting.

Pay attention to the motor parts, which are still hot, so that you do not burn yourself.

Some maintenance operations must be carried out by qualified staff.

Contact **SELVA MARINE** after-sale service.

The following chart lists the periodic maintenance operations to do on your motor.



The pointed out operations must be done by qualified staff.

PERIODIC INSPECTIONS AND ADJUSTMENTS (Running hours)					
OPERATIONS TO PERFORM	INITIAL			THEREAFTER EVERY	
	10	50	100	100	Out of season
Inspection of the conditions of the fuel hoses. If necessary replace them.	■		■	■	■
Check the fuel hose joints for leaks If necessary replace them.	■		■	■	■
Cleaning and blowing of the fuel filter	■	■	■	■	■
Check the proper working of the carburettor. If necessary adjust it.	■		■	■	■
Check, clean and adjust the spark-plugs. If necessary replace them.	■		■	■	■
Check the ignition.	■	■	■	■	■
Check the head screws and the adjustment to the correct torque.	■	■	■	■	■
Check the efficiency of the water pump and of the cooling system	■	■	■	■	■
Check the gearbox-oil level	■	■		■	
Check the wear of the anode. If necessary replace it.	■	■	■	■	■
Check the condition of the propeller. If necessary replace it.	■	■	■	■	■

GREASING CHART			
GREASE POINTS	GREASE THAT MUST BE USED	GREASING FREQUENCY	
		FRESH-WATER	SALT WATER
Gearbox	API GL-5 SAE 80 W 90 MIL -L 2105 C	Check the level after the first 10 running hours. Afterwards every 50 hours. If necessary add till the marked point. Change the gearbox-oil after the first 20 running hours and afterwards every 100 running hours; and anyway each season.	
Bushes of the clamps pipe	SPRAY LUBRICANT	60 days	30 days
Cowling lock levers pins	SPRAY LUBRICANT	60 days	30 days
Tie rod carburettor levers	WATER-REPELLENT MARINE GREASE	60 days	30 days
Propeller shaft	WATER-REPELLENT MARINE GREASE	60 days	30 days
Clamp screws	WATER-REPELLENT MARINE GREASE	60 days	30 days
Gear-shift lever	SPRAY LUBRICANT	60 days	30 days

Greasing and additions

The only part, which must be filled with oil, is the gearbox.
Selva supply the motor already with the oil, which the user will have to change completely after the first 20 cruising hours.
After this change you must check its level every 50 hours and change it every 100 hours, and anyway each season.

Gearbox-oil change

To change the oil do as follows :
Keep the motor in vertical position.
Place a container to collect the used oil under the gearbox.
Take out the oil-level plug and the oil drain-plug.



They have a different size and after the oil change they must be replaced in their proper seat.

Wait until the oil has drained completely, (during this operation you must check, if water or other foreign bodies are to be found in the drained oil. They are signs of anomalies which must be identified and repaired by qualified staff, before using the motor again).
Protecting the leaning parts, put the motor horizontally, with the oil-level plug and the oil drain-plug holes upwards.
Inject the oil into the oil drain-plug hole.



The oil must agree with the characteristics listed in the greasing chart, and must comply with the quantity pointed out in the technical detailed list.

Insert and tighten the oil-level plug and the oil drain plug.
Picture No. 58.



The used oil must be given to the proper collecting centres or to a SELVA service point.

Spark-plug

The spark-plug must be often inspected because heat and deposits affect its efficiency so that the performance of the motor will be affected too.



The inspection of the spark-plug must be done when the engine is not running and it has cooled down.

It is very important to check, that the part made of porcelain is not damaged because this could allow external sparks, which could lead to explosion or fire.

To remove the spark-plug use the supplied spanner; using an abrasive brush, remove any depots, then check the wear condition and the spark-plug gap (the gap must be 0,6 mm, to measure it use a thickness gauge)

If the spark-plug is badly worn you must replace it with a new one which must agree with the characteristics listed in the specifications chart.



The spark-plug torque is 20 Nm (~2. kgm). If a torque-wrench is not available, you can obtain a good estimate of the correct torque turning the spark-plug completely by hand and then turning it with the spanner, a new spark-plug must be turned ~ 90° and an old one 15° ÷ 20°.

Replace the spark-plug cap, checking that it is correctly fitted and then replace the top cowling. **Picture No. 59.**

Sacrificial anode.

To protect the motor against electrochemical corrosion, due to the presence in its structure of many different materials, a sacrificial anode has been applied.

The anode will be subject to a strong corrosion, so you have to remove the scales from the surfaces of the anode periodically.



Failure to clean it, will affect its effectiveness.



Do not paint the anode, for this would render it ineffective.

When the corrosion compromise its functionality, you have to replace it. **Picture No.60.**

Replacement of the propeller.

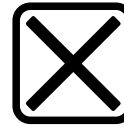
The propeller is one of the components, which have a great influence upon the performance of the motor. An unsuitable or damaged propeller can cause serious damages to the motor besides reduce the performance.



For an careful choice of the propeller consult a SELVA MARINE service point.

To replace the propeller do as follows:

- wait until the motor has cooled down and remove the top cowling;



- remove the spark-plug cap, to avoid an accidental start during the operations of replacement of the propeller;

- place the gear-shift lever in the neutral position " N ";
- protect your hands using strong gloves and insert a wooden lump between the propeller blades and the anti-cavitation plate, to keep the propeller still.
- remove the self stopping nut, the internal shoulder, the propeller and the external shoulder;
- spread the propeller shaft with water-repellent grease;
- by hand insert the internal shoulder, the propeller and the external shoulder;
- by hand screw the self-locking nut;
- insert a wooden lump between the propeller blades and the anti-cavitation plate.
- keep the propeller pressed against the pin and screw tight the nut.

Picture No. 61.

Towing

The motor should be towed in the normal running position. Avoid towing with the tilt-support lever only, but use a motor support device.

Storage



To help the endurance of your motor, you must carry out properly the following storage operations:

Clean the motor and the cooling-water passages.

Switch off the engine as shown in the section "stopping for a long period of storage".

Remove the fuel-line connections from the motor.

Clean the fuel filter.

Empty the float chamber.

Remove the spark-plug and pour engine-oil into the hole; turn the flywheel by hand to distribute the oil in the cylinder; replace the spark-plug.

Change the gearbox-oil.

Check the screws torque.

Grease all the components as shown in the greasing chart.

Inspect the anode.

Store the motor in vertical position, in a dry and not too cold place.



The operations of storage must be done by qualified staff.

Fuel tank.

Store the fuel tank in a well-ventilated place, not in direct sunlight.



For a long period of storage, drain the fuel from the tank.

Battery

Disconnect both battery leads from the battery, disconnecting the black lead from the negative terminal first.

Store the battery on a level surface in a dry, cool, well-ventilated, out of direct sunshine.



Follow the battery manufacturer's instructions.

TROUBLESHOOTING



A regular maintenance can help you prevent many problems with your outboard motor.

The following chart lists some common difficulties and their possible causes.



If you still have difficulties, after investigating these, please contact your **SELVA MARINE** dealer.

A - The engine will not start.

B - The engine runs irregularly or stalls.

C - The engine idles unevenly.

D - Engine speed will not increase.

E - The engine is overheating.

F - Engine speed is higher than normal.

G - Engine speed is lower than normal.

H - Boat speed is too low.

I - The boat will suddenly slow.

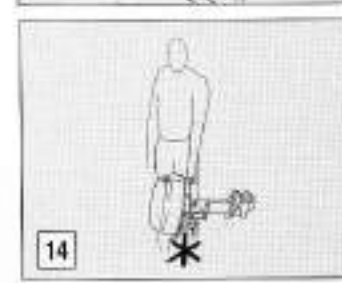
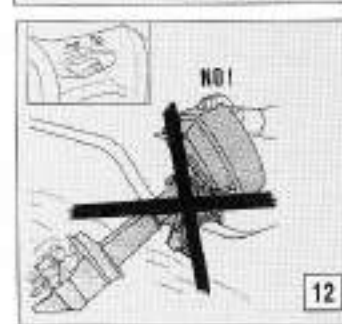
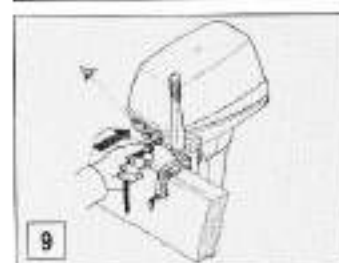
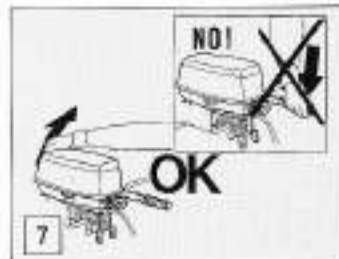
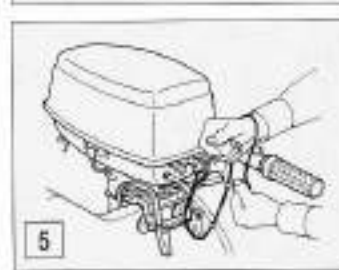
L - The starter-motor does not operate (mod. with electric start)

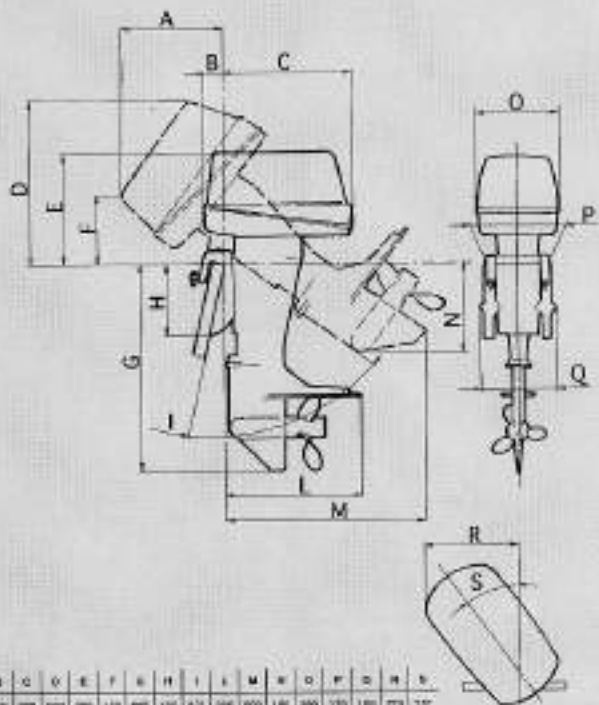
A	B	C	D	E	F	G	H	I	Possible cause
■	■							■	Fuel tank is empty
■	■		■						Fuel hose is incorrectly connected
■	■	■	■			■			Fuel hose is flattened or kinked
■	■	■	■					■	Fuel pump is malfunctioning
■	■	■	■			■		■	Fuel filter is clogged
	■	■		■		■			Improper oil in the fuel
	■	■	■	■		■			Improper petrol
■	■	■							Carburettor has a wrong adjustment
■									Incorrect starting procedure
■	■	■	■			■		■	Sparks -plugs are fouled.
■	■	■		■		■			Improper spark-plugs
	■	■				■			Incorrect spark-plug gap.
■									Spark-plug cap incorrectly fitted

A	B	C	D	E	F	G	H	I	Possible cause
■									Electric circuit is defective
■	■	■	■			■		■	Ignition-coil is defective
				■		■		■	Clogged water passages
				■		■		■	Faulty water-pump
	■			■		■		■	Thermostat faulty
					■		■	■	Cavitation is occurring
					■		■	■	Propeller is damaged
			■	■	■	■	■		Propeller has not the proper dimensions
			■	■	■		■		Incorrect trim-angle
			■	■			■		Load on boat is improperly distributed
					■				Transom is too high
			■						Transom is too low

Only for models with electric start.

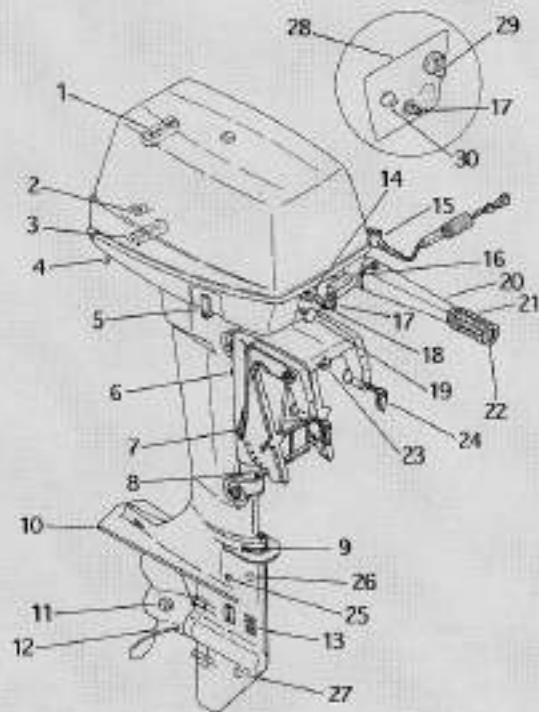
A	B	C	D	E	F	G	H	I	L	Possible cause
■									■	Starter-motor is defective
■									■	Starting board is defective
■									■	Battery is undercharged



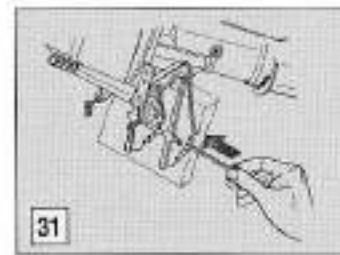
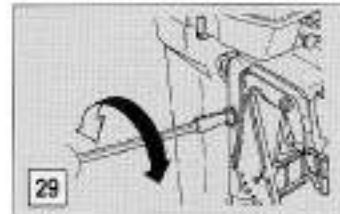
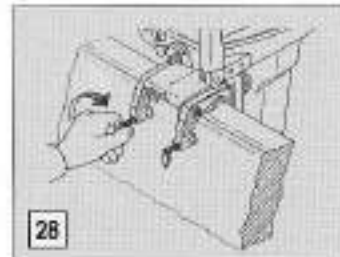
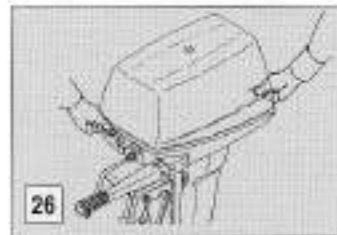
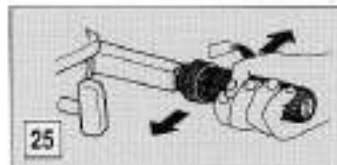
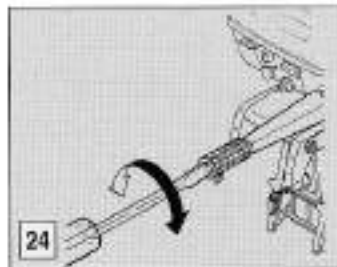
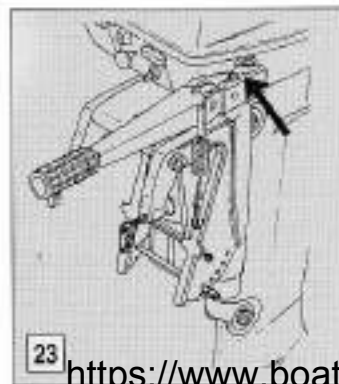
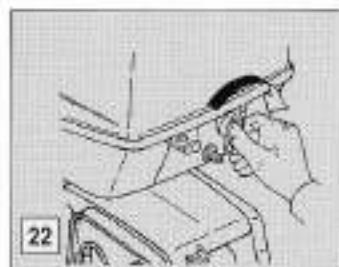
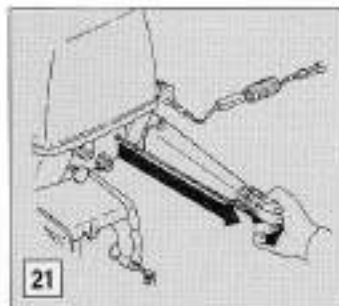
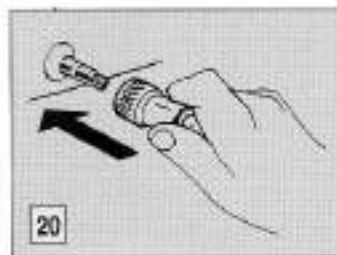


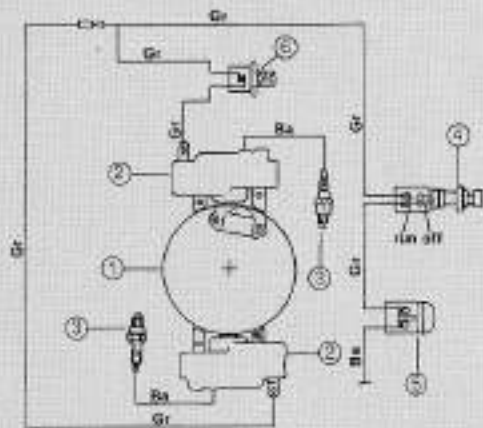
	A	B	C	D	E	F	G	H	I	J	K	L	M	N	O	P	Q	R	S
HP	200	230	260	300	280	170	810	130	65°	200	600	180	240	130	180	270	230°		
L	200	230	260	300	280	170	810	130	65°	200	600	180	240	130	180	270	230°		

15

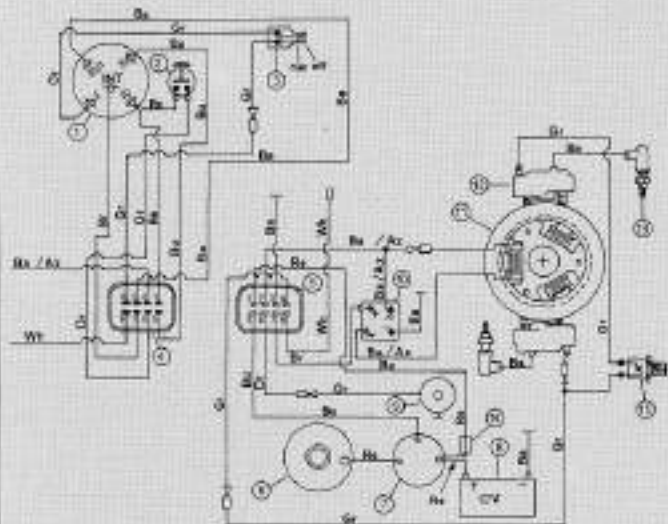


16





32



33

